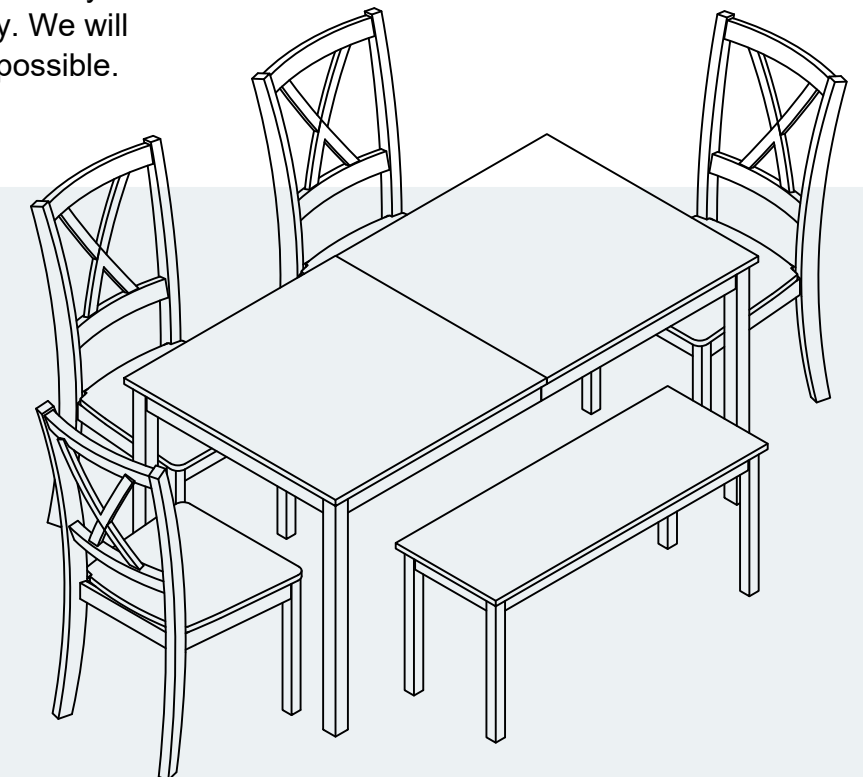


# Dining table with 4 chairs and 1 bench

# Dining table with 4 chairs and 1 bench

Assembly Instruction - Please keep  
properly for future reference.

If you find any missing boxes, damaged  
parts, or accessory shortages, please  
contact the customer service team of your  
purchasing channel immediately. We will  
resolve the issue as quickly as possible.



SKU:  
BL1936-1A5A1  
BL1936-1A5A2  
BL1936-1A5B1  
BL1936-1A5B2

V1.0

EN

## CONTACT US

• **Email:** [service@grandtunnel.com](mailto:service@grandtunnel.com)

In order to receive assistance more quickly, please provide

## THE FOLLOWING INFORMATION:

- Order number
- Purchase platform
- Purchase date
- Detailed description of the issue along with photos (if applicable)

**Important** – Please read these instructions carefully before  
starting the installation.

## Before Assembly



Thank you for choosing our product!

To ensure a smooth installation process, please read this guide carefully to familiarize yourself with the required tools, materials, and installation steps. Follow the relevant sections to avoid any damage caused by improper installation, and make sure to review all operation and safety guidelines for correct installation procedures.

### Packaging Notice:

#### 1. Multi-Box Shipping Notice

This product is packaged in 2 separate boxes for shipping and may arrive in batches at different times. To ensure a smooth assembly process, please make sure all 2 boxes are received before unpacking and starting the installation.

#### 2. Box and Packaging Verification

Each box is labeled with a corresponding number. Please refer to the packing list on the next page of this manual to verify that all boxes have been received.

If you find any missing boxes, damaged parts, or accessory shortages, please contact the customer service team of your purchasing channel immediately. We will resolve the issue as quickly as possible.

## Safety and Care Advice



### Important :

Please read these instructions fully before starting assembly.

- Check you have all the components and tools listed on the following pages.
- Remove all fittings from the plastic bags and separate them into their groups.
- Keep children and animals away from the work area, small parts could choke if swallowed.
- Make sure you have enough space to layout the parts before starting.
- During assembly do not stand or put weight on the product, this could cause damage.

- Assemble the item as close to its final position (in the same room) as possible.
- Assemble on a soft level surface to avoid damaging the unit or your floor.
- Parts of the assembly will be easier with 2 people.



- To reduce the likelihood of damaging your product please ensure that your power drill is set on a low torque setting.

### Care and maintenance

- Only clean using a damp cloth and mild detergent, do not use bleach or abrasive cleaners.
- From time to time check that there are no loose screws on this unit.
- This product should not be discarded with household waste. Take to your local authority waste disposal center.

### Handy Hints

- Assemble all parts and bolts loosely during assembly, only once the product is complete should you fully tighten the bolts.
- Regularly check and ensure that all bolts and fittings are tightened properly.

### Warning

**In order to help prevent overturning, please follow these instructions.**

- Use the anti tip strap or wall fixing method provided (if applicable).
- Do not allow children to climb or hang on the furniture.
- Do not open more than one drawer at a time.
- Do not place heavy items in the top drawers.
- Do not place heavy items on top of the furniture, unless the furniture has been designed for this purpose.
- Please note that only the anti tip strap is provided. You will need to provide wall plugs and screws applicable for your wall type.

# Customer Service Guide



Thank you for choosing our product! We are committed to providing you with excellent service. If you find any missing parts, damaged packaging, or product damage after receiving all packages, please follow the steps below to quickly contact our customer service team. We will do our best to resolve your issue.

## 1. Missing Parts

### Verify Parts:

1. Refer to the “Parts List” in the manual to verify the name, specifications, and quantity of the missing parts.
2. Take a clear photo of the parts list and mark the missing parts with detailed information, e.g., “Missing 5 pieces of M6×30mm screws.”

### Contact Us:

#### By Email:

Send an email to [service@grandtunnel.com](mailto:service@grandtunnel.com), with the subject line “Missing Parts Issue.” Include the following in the email:

- A description of the missing parts and a photo of the parts list.
- Order details (order number, purchase platform, purchase date).

## 2. Product or Packaging Damage

### If it affects normal use:

#### Steps:

1. Take clear photos or videos showing the damaged parts and the extent of the damage (multi-angle shots are recommended).
2. Email the photos/videos along with order details to [service@grandtunnel.com](mailto:service@grandtunnel.com), with the subject line “Product Damage Issue.”

#### Resolution:

After verification, we will arrange for a replacement part, product exchange, or refund as quickly as possible.

### If it does not affect normal use:

#### Steps:

1. Contact our customer service team (by email: [service@grandtunnel.com](mailto:service@grandtunnel.com)).
2. Provide a description of the damage and include relevant photos or videos.

#### Resolution:

We will provide repair guidance or an appropriate compensation plan based on the specific situation.

### Contact Us:

Customer Service Email: [service@grandtunnel.com](mailto:service@grandtunnel.com)

## Helpful Tips

### To process your issue efficiently, please prepare the following information:

- Order details (order number, purchase platform, purchase date).
- Clear photos or videos.
- We are committed to providing quick and professional solutions, no matter the size of the issue, to ensure your satisfaction.

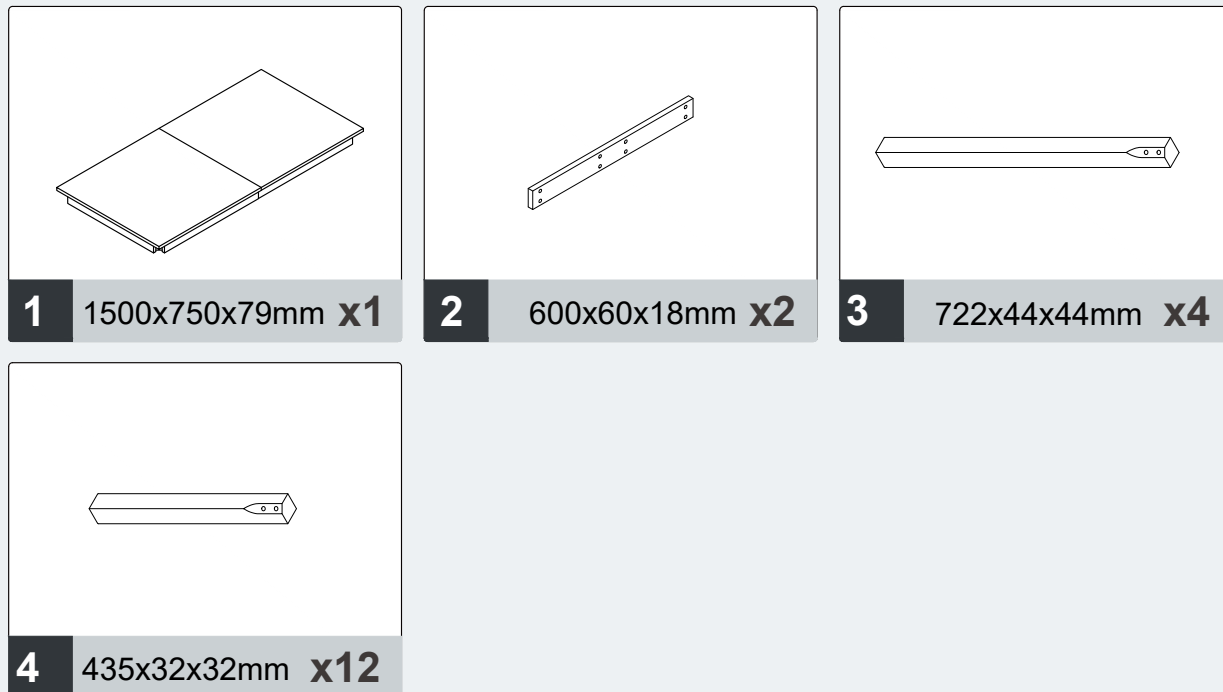
**Thank you for your trust and support!**  
**We hope you enjoy using our product!**

## Parts List

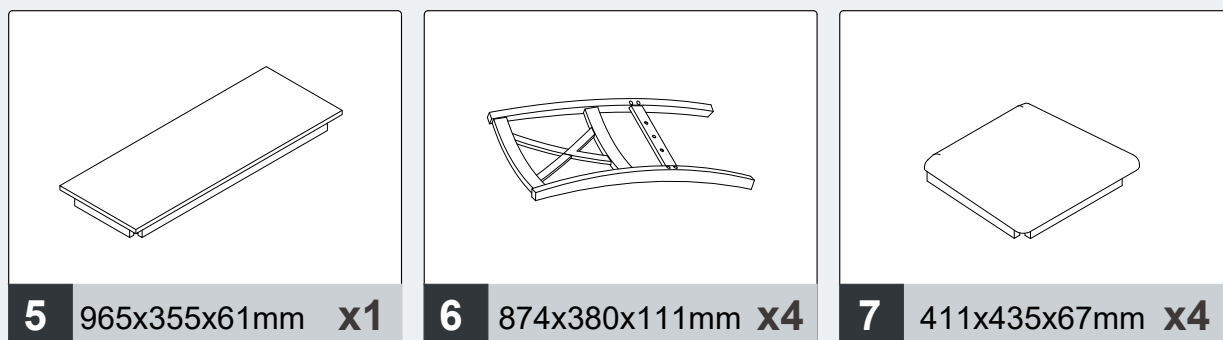


Please check you have all the panels listed below.

### BOX 1



### BOX 2

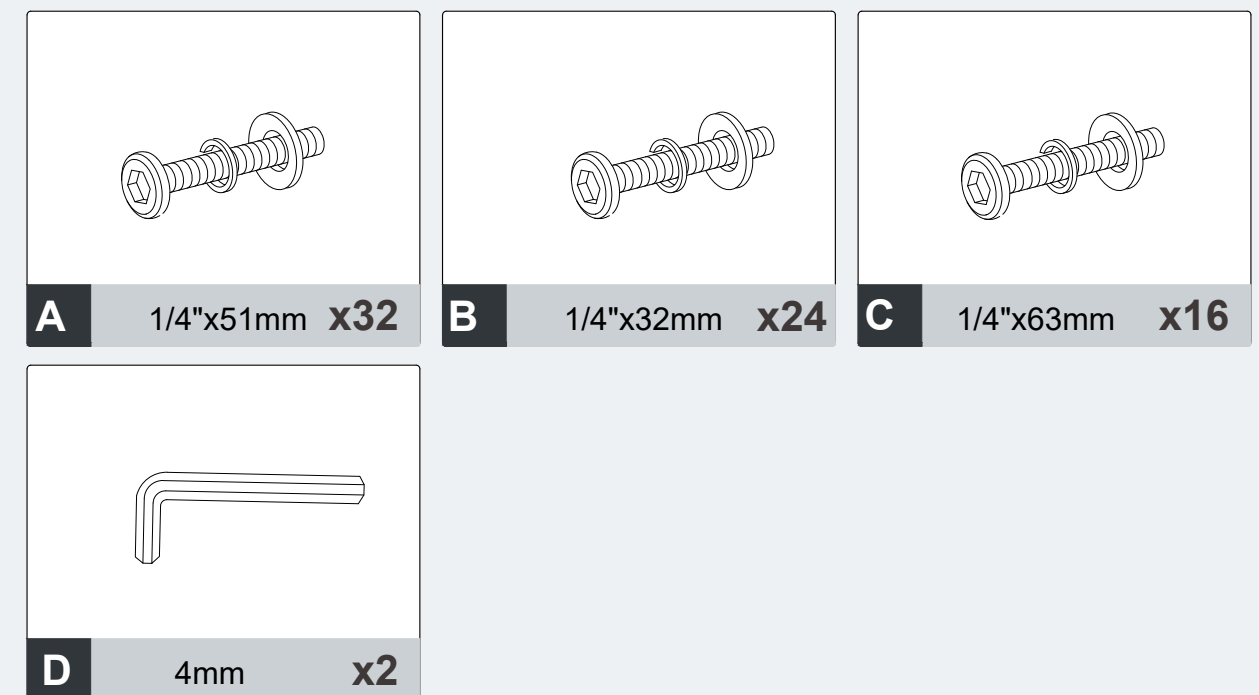


## Parts List - Fittings

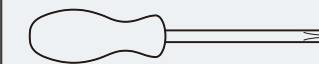


Please check you have all the fittings listed below. (in Box 2)

**Note:** The quantities below are the correct amount to complete the assembly. In some cases more fittings may be supplied are required.



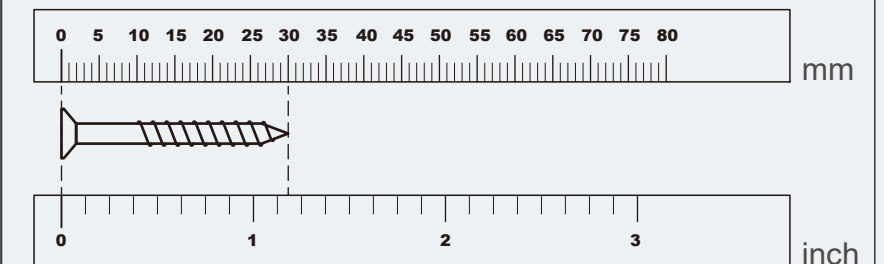
### Tools required



Phillips screwdriver  
(medium & large)

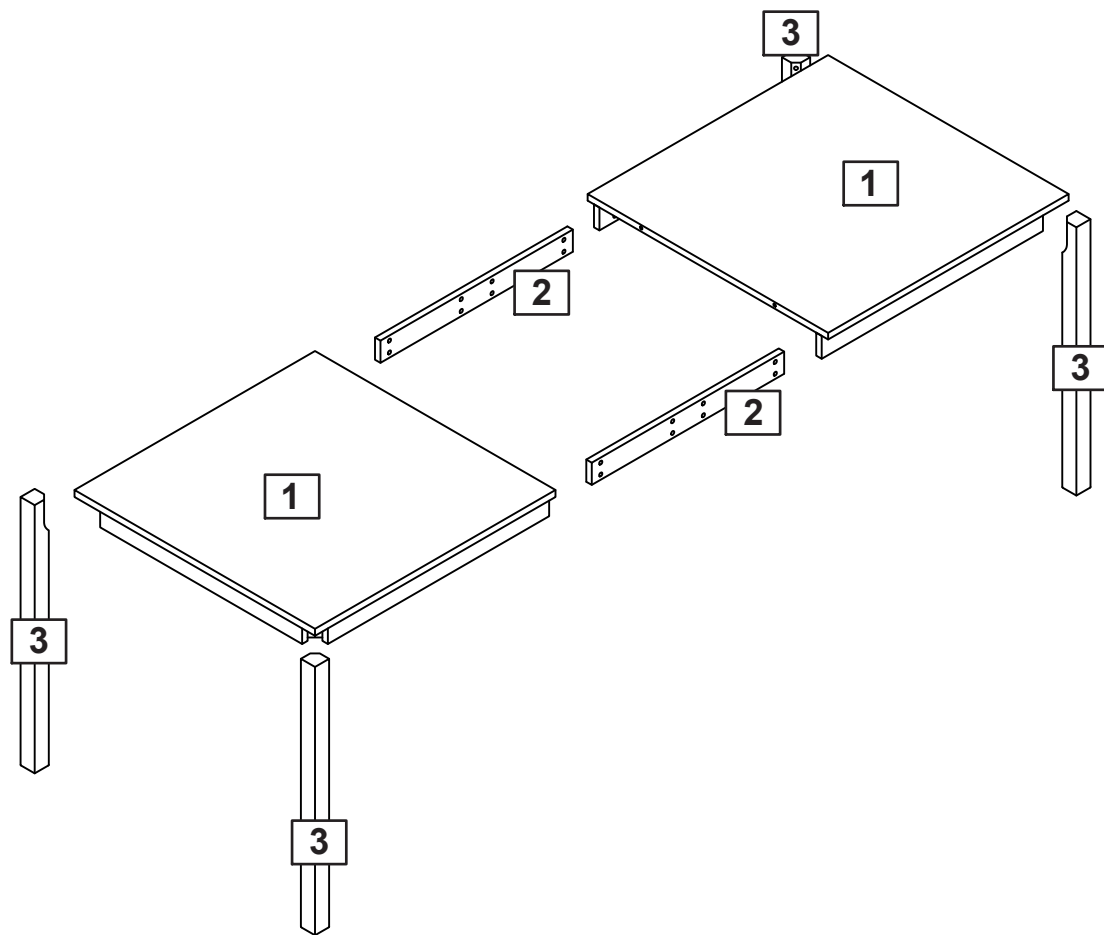
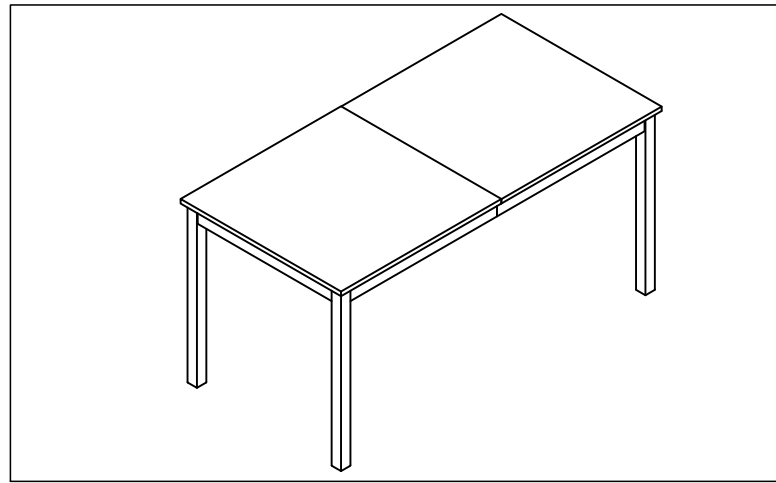
### Ruler

Use this ruler to help correctly identify the screws

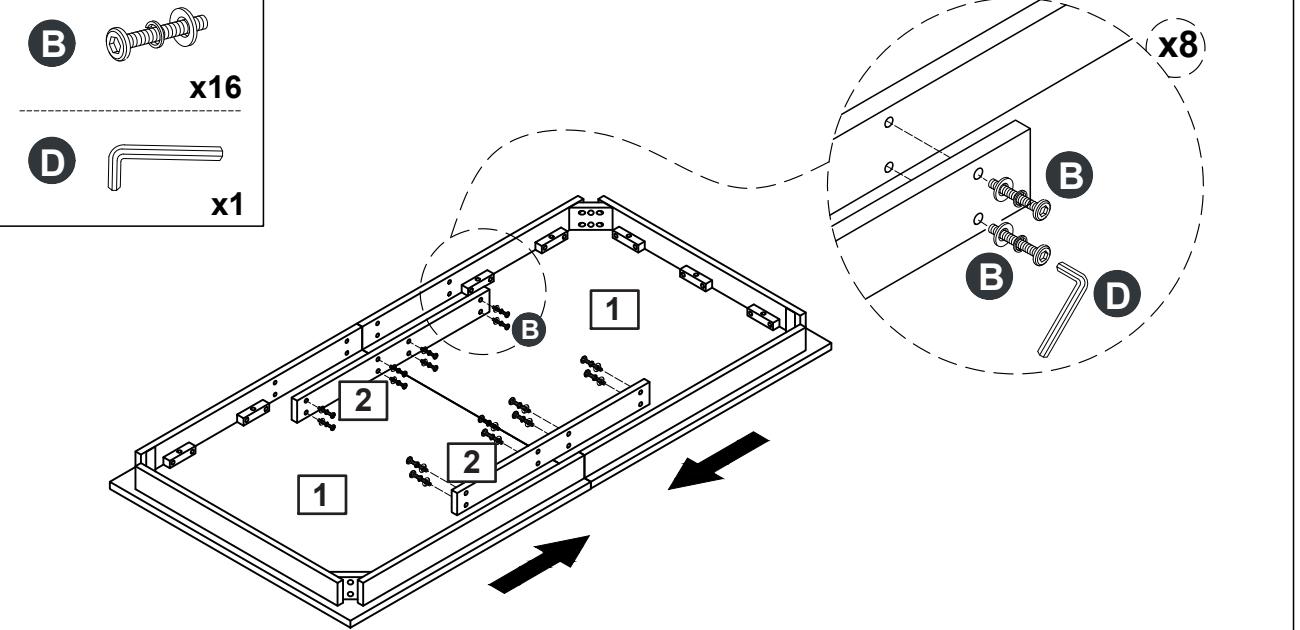


The screws length is measured from the head to the point (30mm screw shown).

# Assembly Instructions

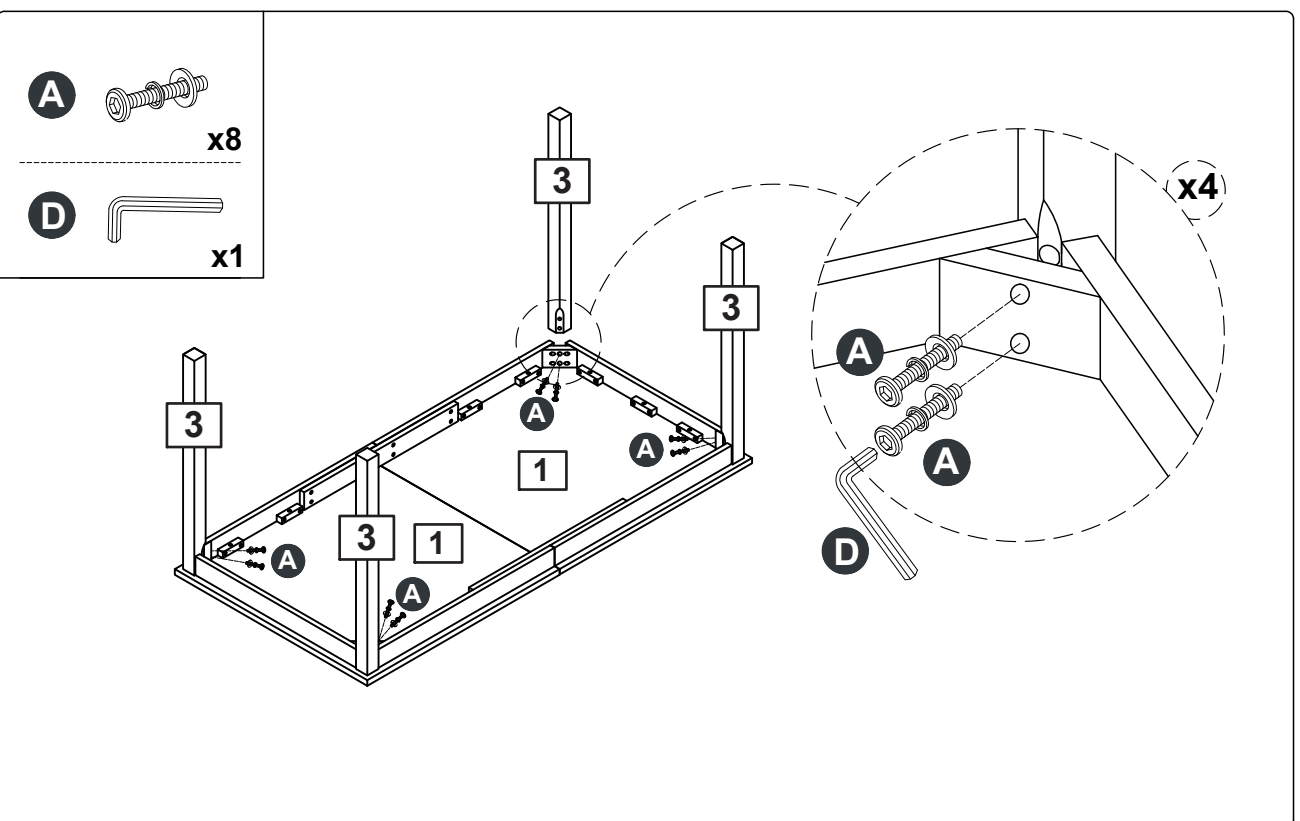


## Step 1



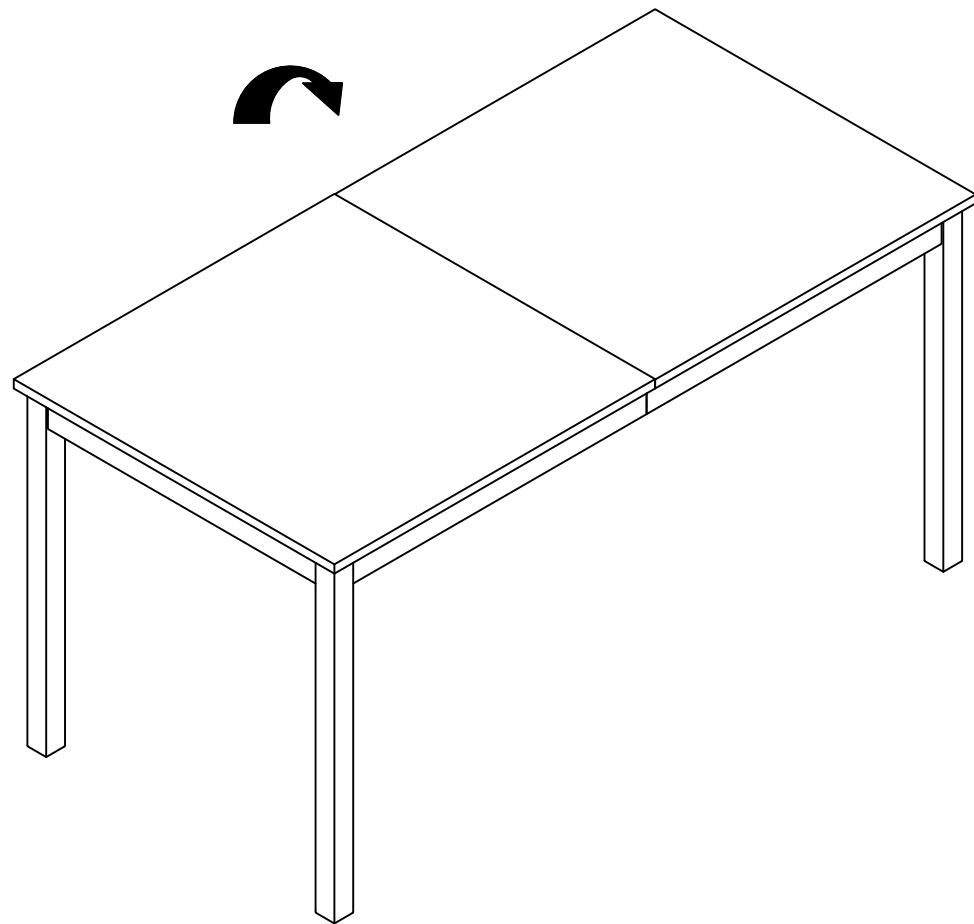
- Align the two Top Frames (1) tightly, attach Parts (2) to Parts (1), tighten the Bolts(B) with Allen key (D).

## Step 2



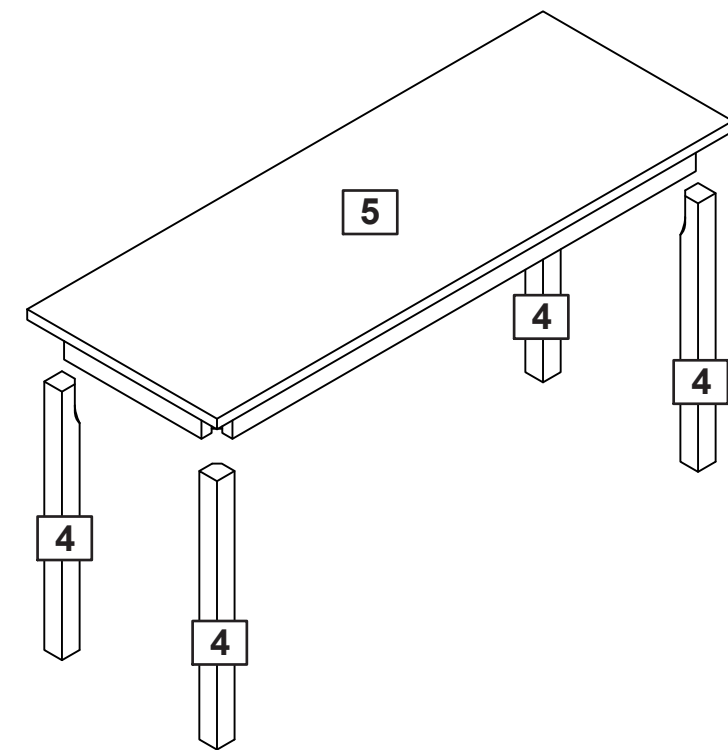
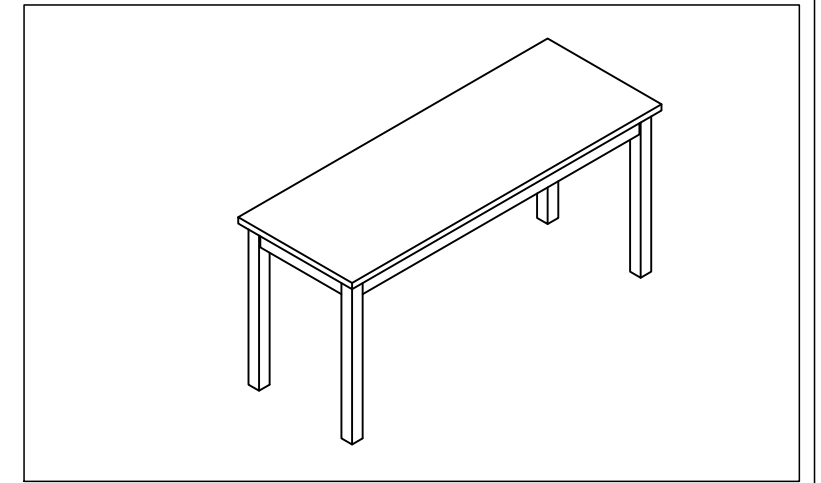
- Attach Parts (3) to Parts (1), tighten the Bolts(A) with Allen key (D).

## Step 3

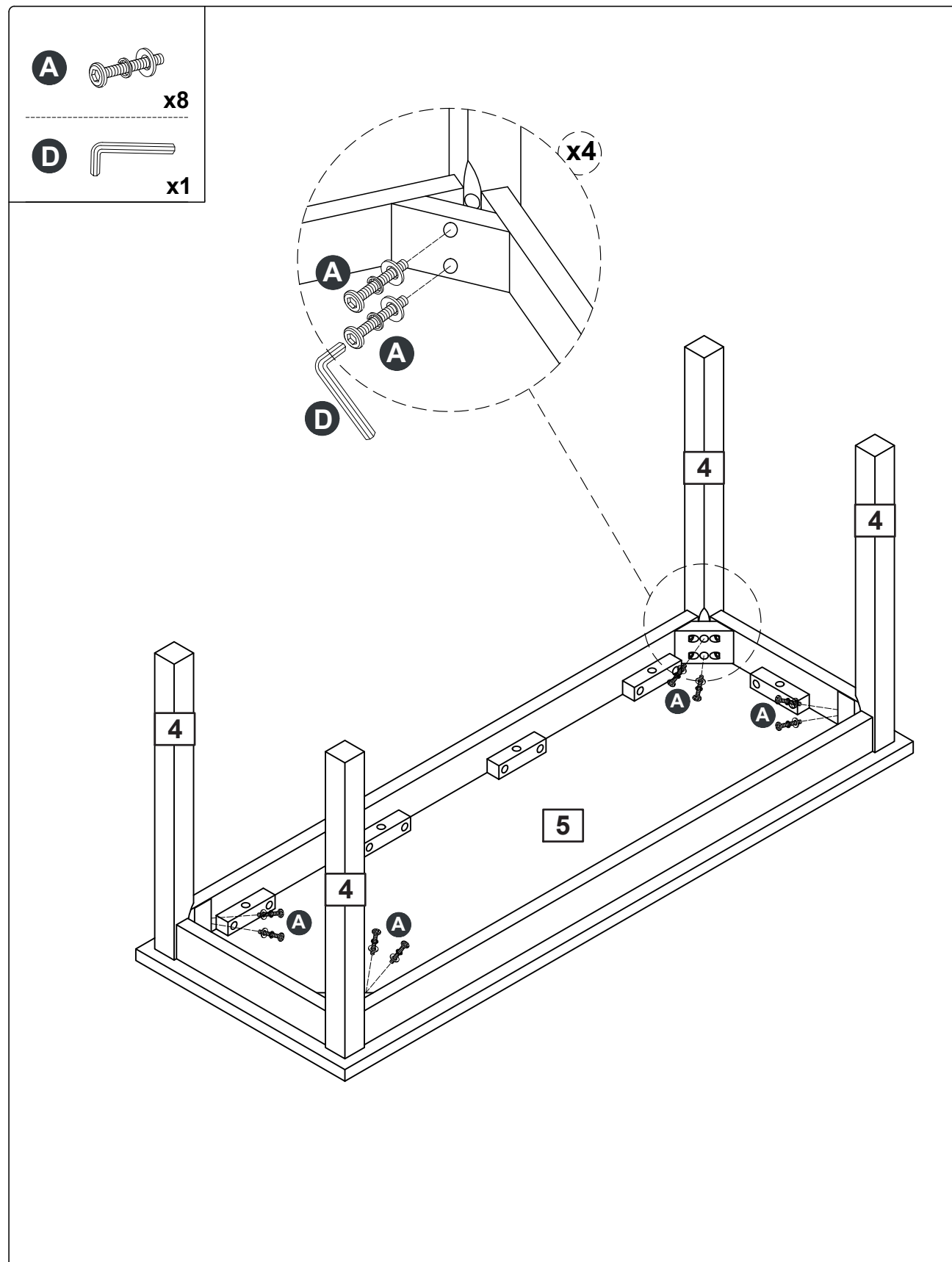


- Overturn the table and place it on a flat surface.

## Assembly Instructions

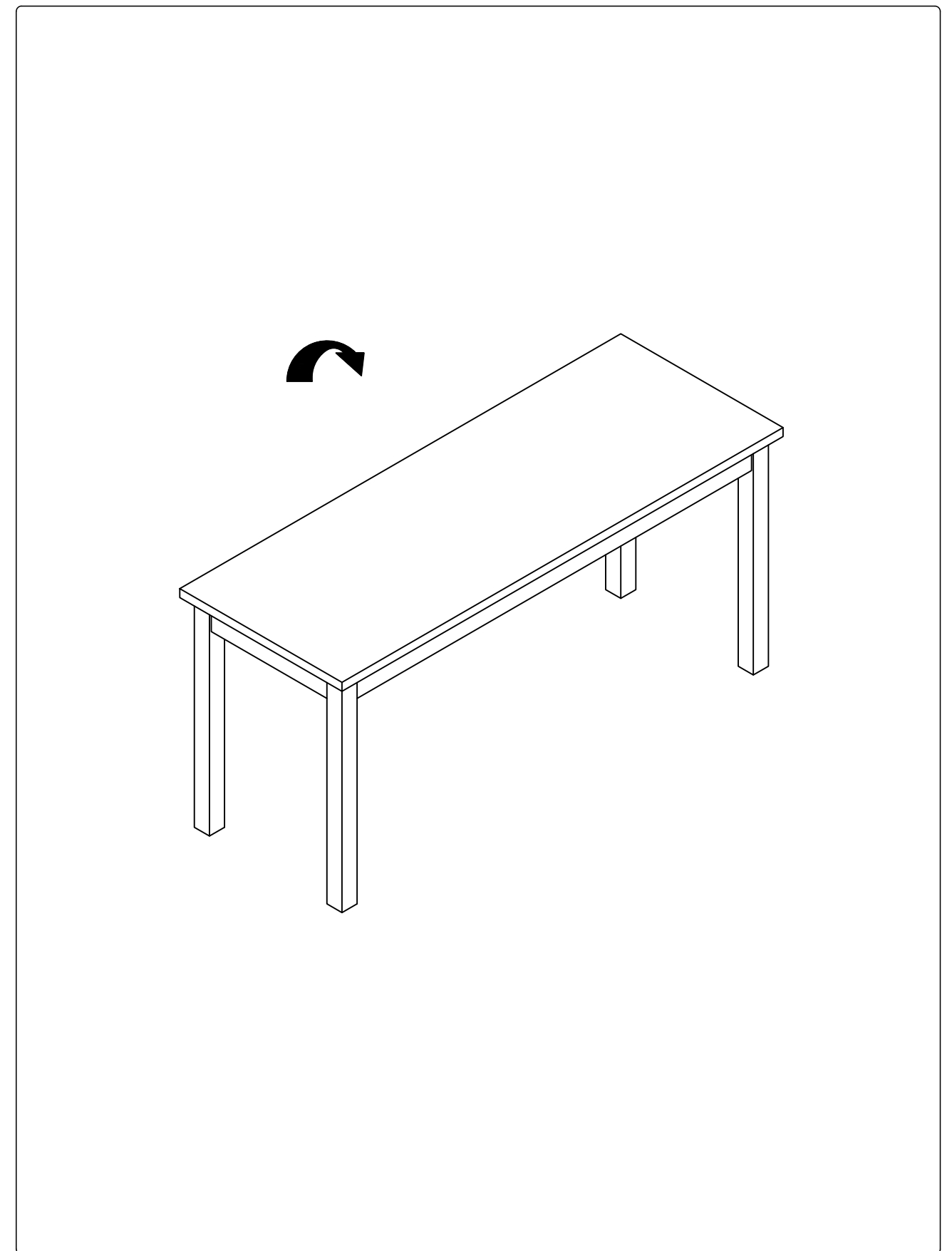


## Step 4



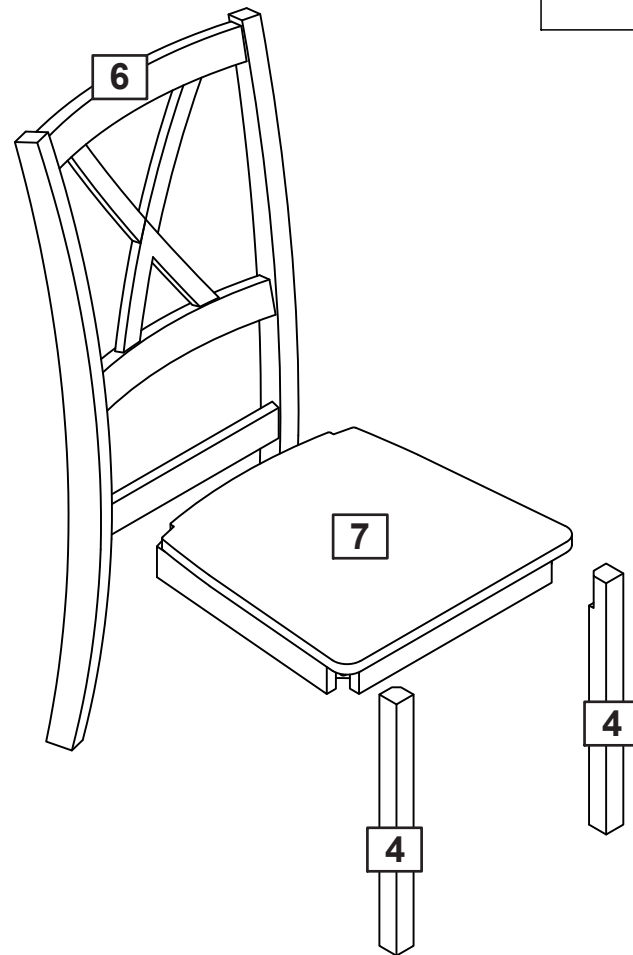
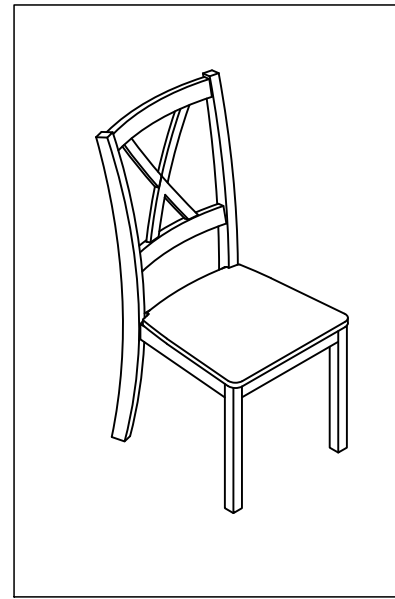
- Place Part (5) on a flat surface.
- Attach Parts (4) to Part (5) , tighten the Bolts(A) with Allen key (D).

## Step 5

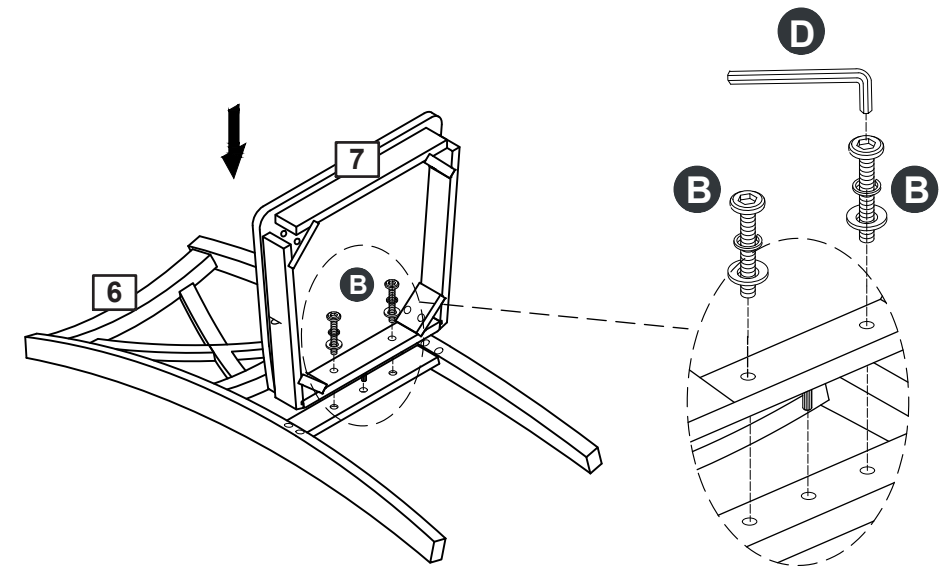
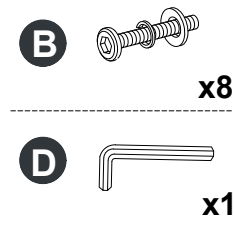


- Overturn the bench and place it on a flat surface.

# Assembly Instructions



## Step 6

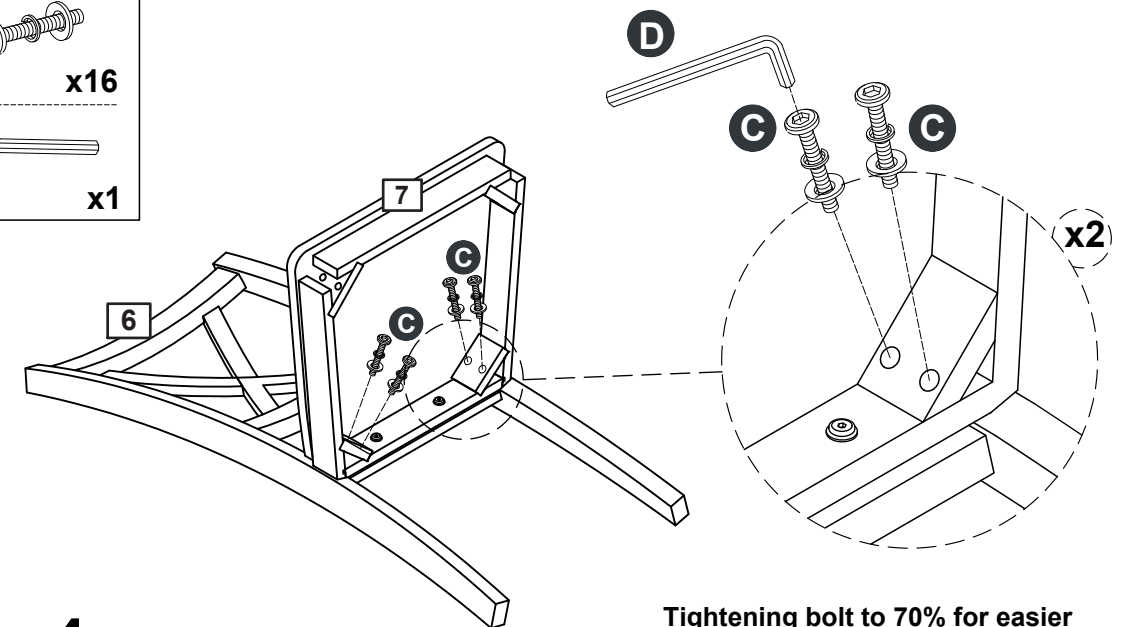
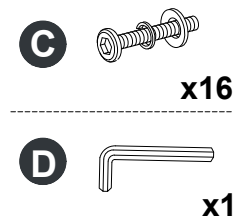


x4

Tightening bolt to 70% for easier alignment during subsequent steps.  
(After step 9, tighten all bolts)

- Attach Part (7) to Part (6) , tighten the Bolts(B) with Allen key (D), don't tighten it.

## Step 7

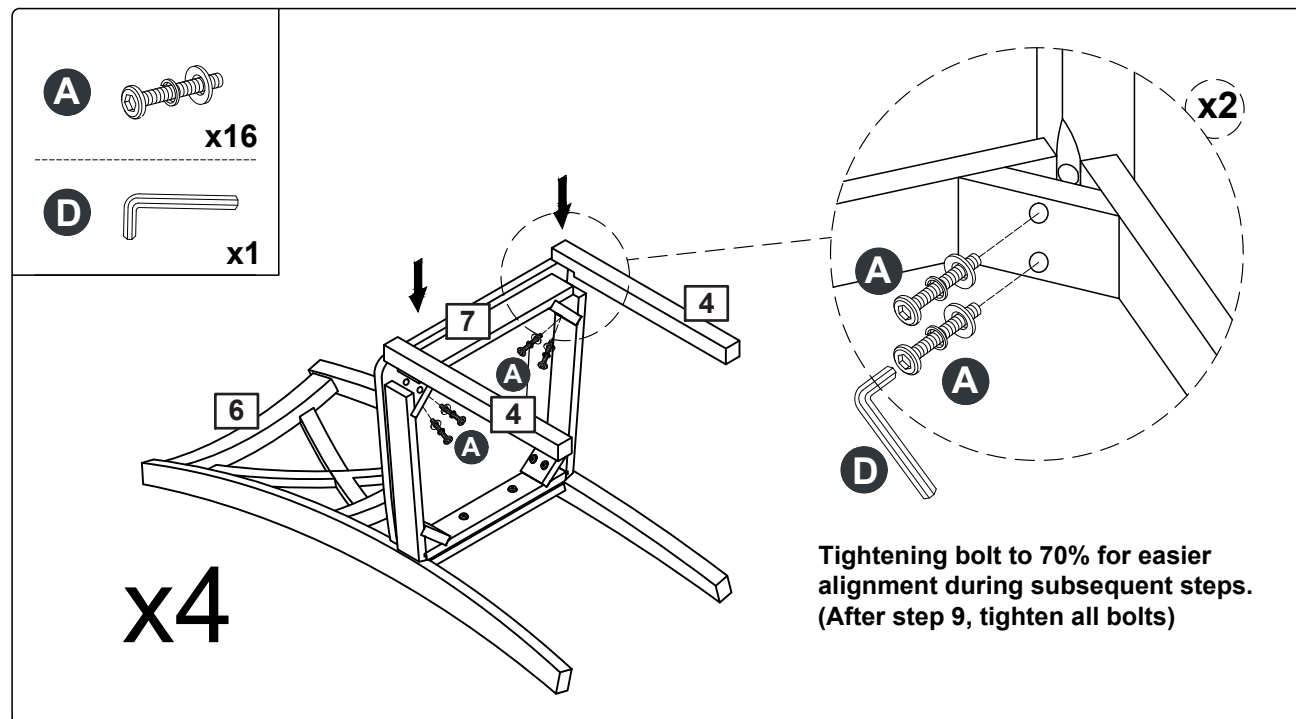


x4

Tightening bolt to 70% for easier alignment during subsequent steps.  
(After step 9, tighten all bolts)

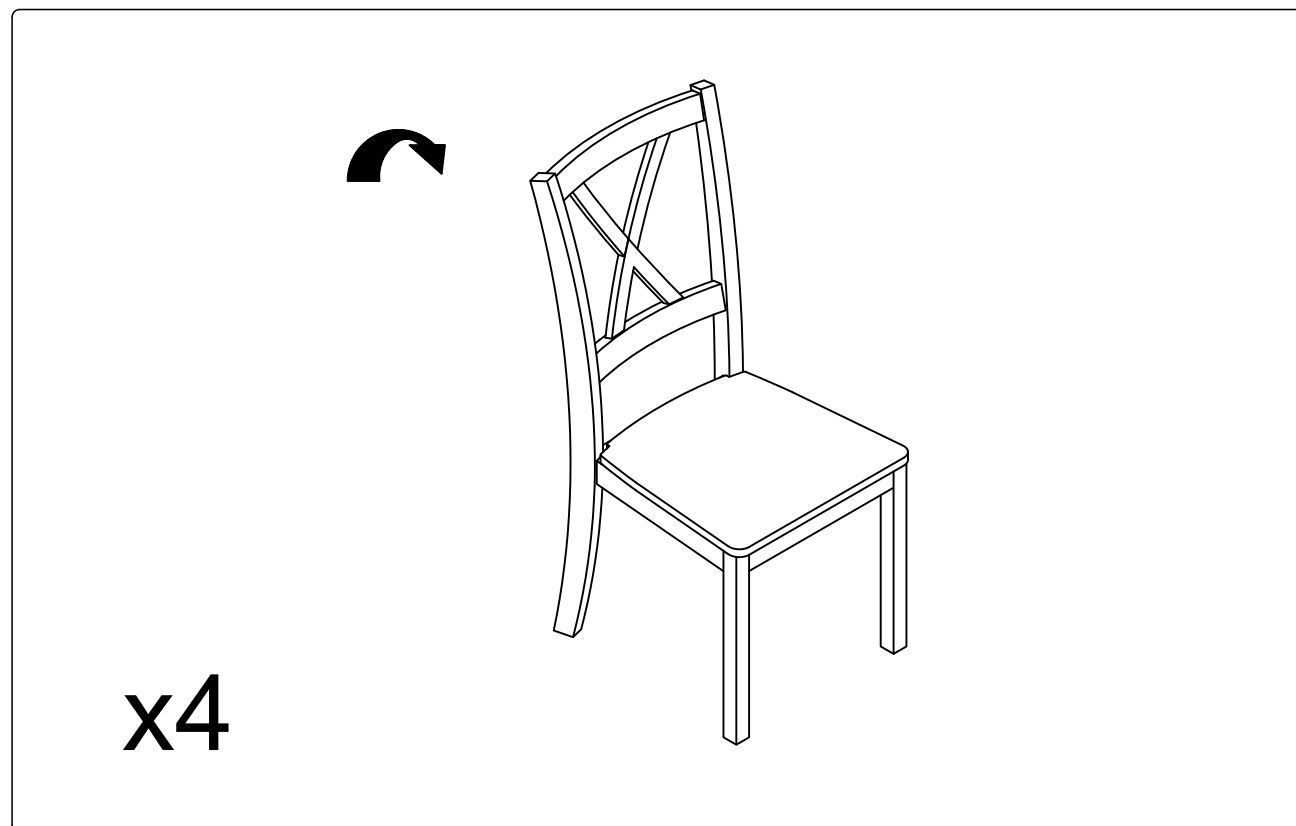
- Align the holes on Part (7) and Part (6) , tighten the Bolts(C) with Allen key (D), don't tighten it.

## Step 8



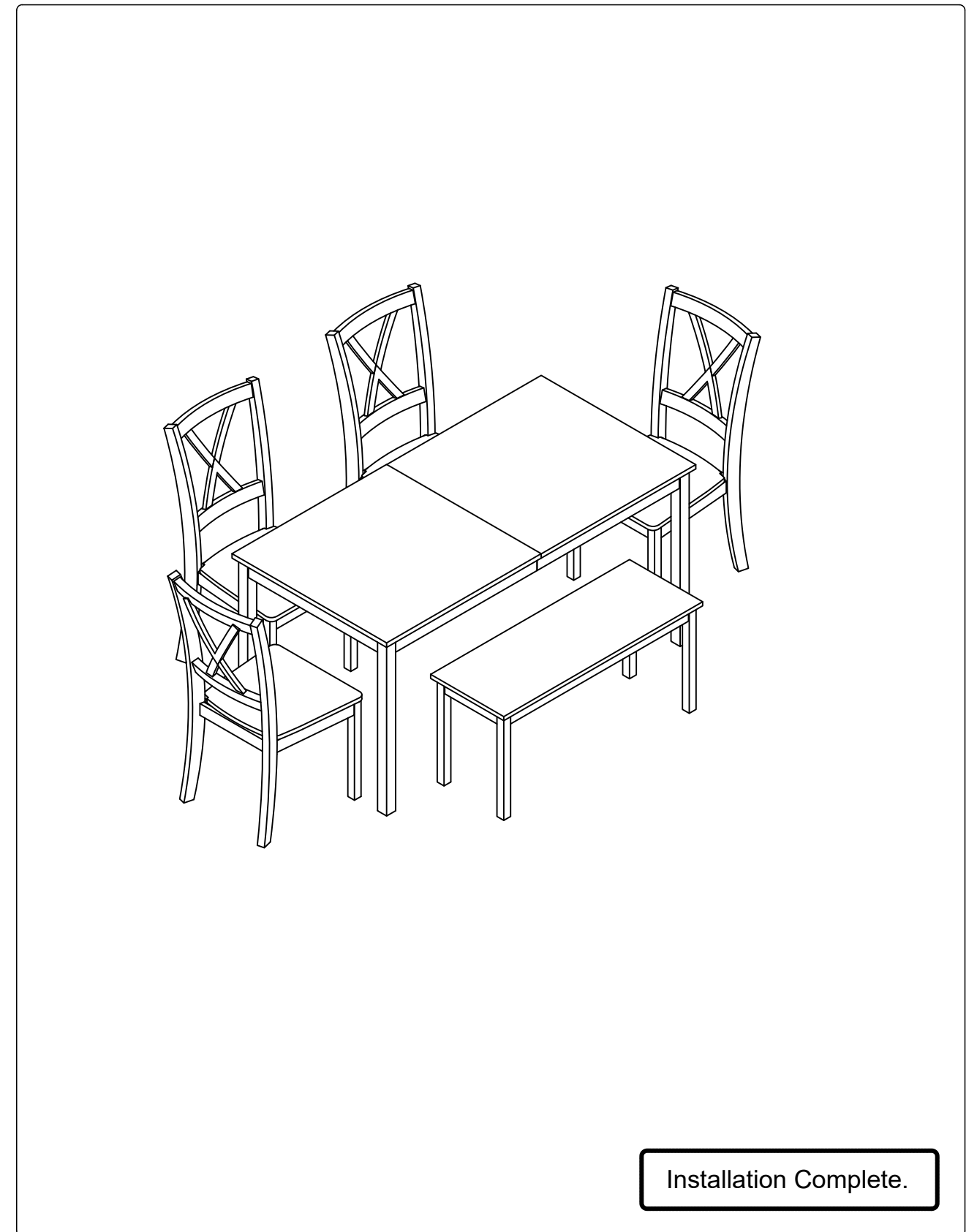
- Attach Parts (4) to Part (7) , tighten the Bolts(A) with Allen key (D), don't tighten it.

## Step 9



- Overturn the Chair and place it on a flat surface, then tighten all the bolts in Step(6,7,8) by Allen Key (D).

## Step 10

**Note:**

- If you find the table wobbling, please tighten the bolts with Allen Key (D).