

INSTRUCTION MANUAL

# BEFORE STARING

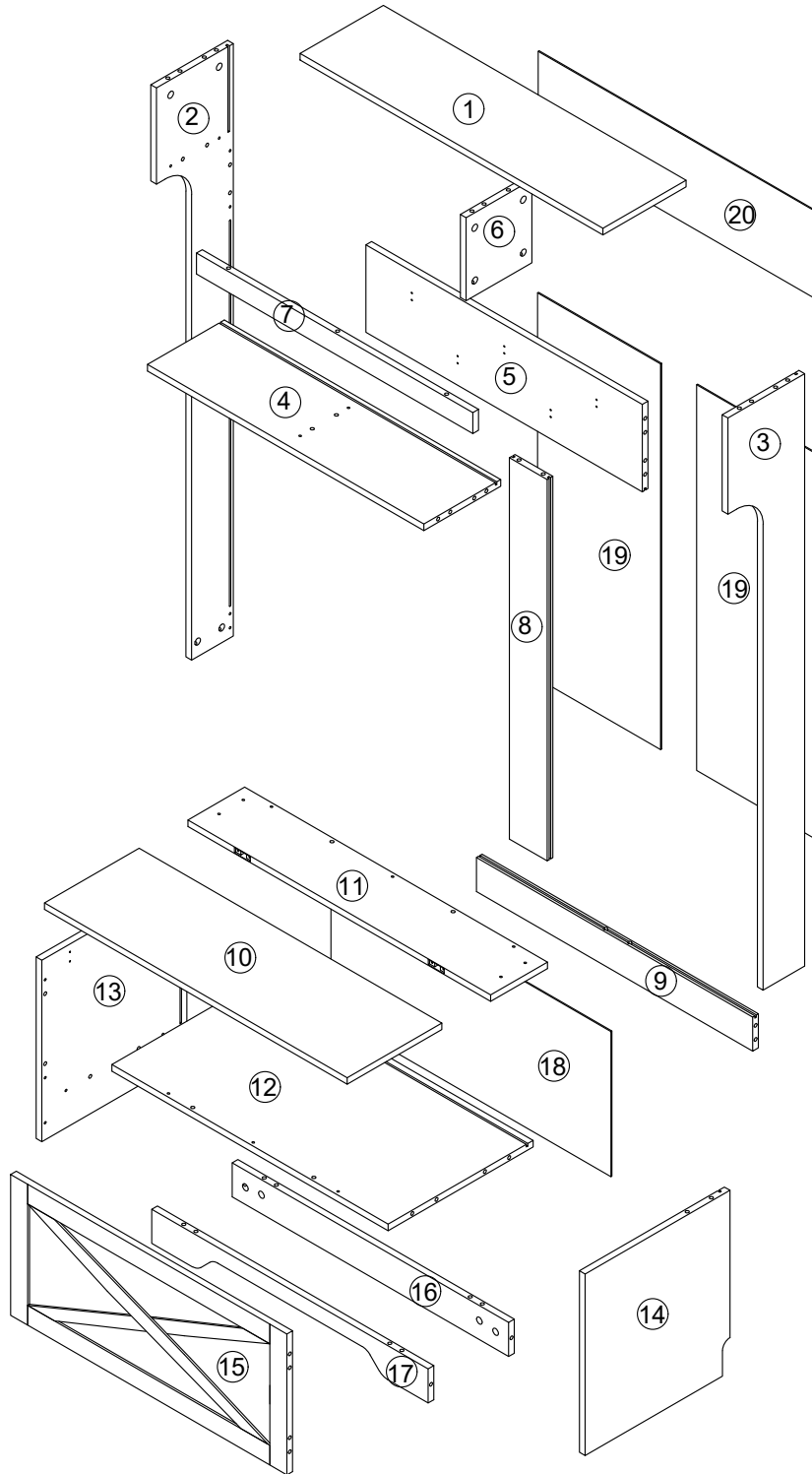
## Before Using Product

- Read each step carefully before starting. It is very important that each step is performed in the correct order. If these steps are not followed in sequence, assembly difficulties will occur.
- Make sure all parts are included.
- Work in a spacious area and near where the unit will be used, preferably on a carpet, or use a piece of the cardboard packaging to protect your floor and product.
- For a smooth assembly process, we suggest you keep a lite tightness for all the screws during assembly. After the whole product is assembled, firmly tighten all the screws.




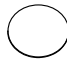
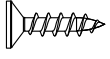
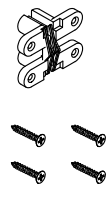
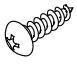
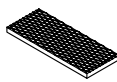

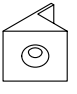
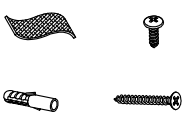




## WARNING

- Do not allow children to climb on unit.
- Avoid sharp objects or corrosive chemicals to prevent damage to the product.
- During assembly, keep parts and packaging materials away from children and pets as there could be potential injury and choking hazards.
- Please make sure that all objects are removed before moving the assembled unit.
- The unit must be team lifted, not dragged or pushed. Failure to do so could cause instability, product collapse, and/or serious injury.
- Be careful when using power tools to assemble your furniture. Power tools may strip or damage the parts.

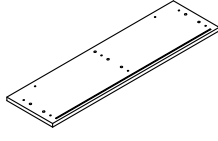
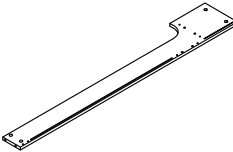
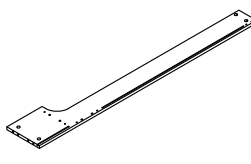
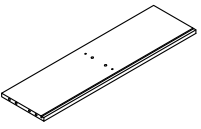

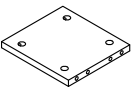
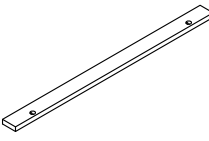
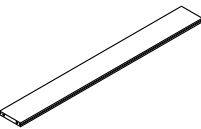
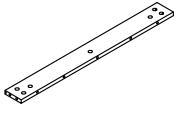
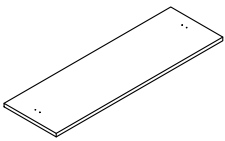
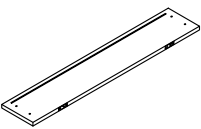
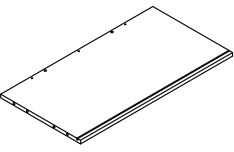
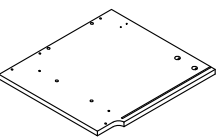
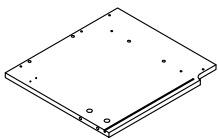
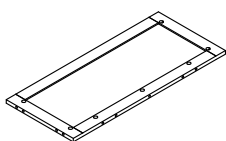
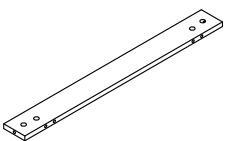
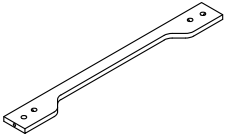
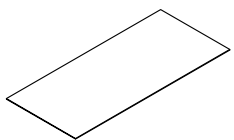
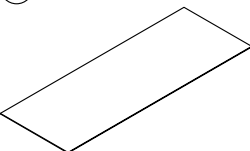
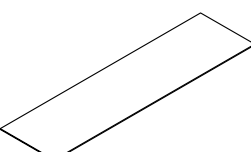
# Product disassembly diagram



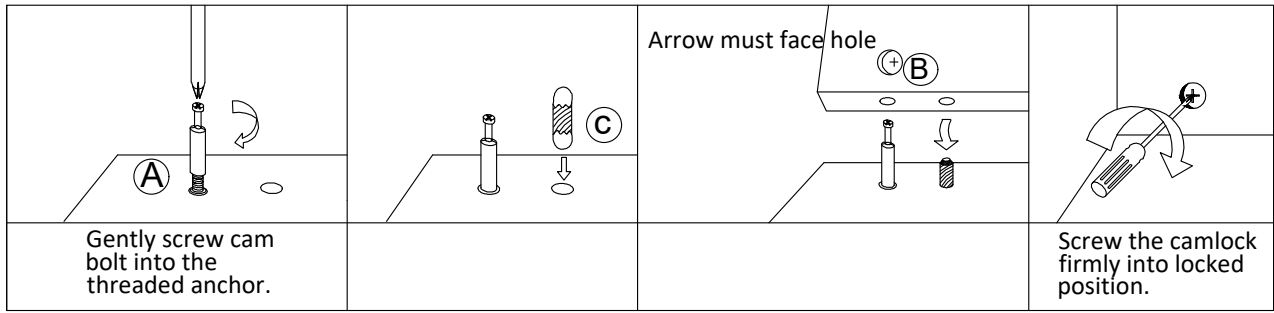
# Hardware List

<p><b>A</b></p>  <p>6*44 (56PCS)</p>	<p><b>B</b></p>  <p>Ø15 (56PCS)</p>	<p><b>C</b></p>  <p>Ø8*40 (41PCS)</p>	<p><b>D</b></p>  <p>(31PCS)</p>	<p><b>E</b></p>  <p>M4*14 (28PCS)</p>
<p><b>F</b></p>  <p>Ø4*20<sup>+1</sup> (2PCS)</p>	<p><b>G</b></p>  <p>Ø4*14 (10PCS)</p>	<p><b>H</b></p>  <p>(3PCS)</p>	<p><b>I</b></p>  <p>(5PCS)</p>	<p><b>J</b></p>  <p>(17PCS)</p>
<p><b>K</b></p>  <p>(2PCS)</p>	<p><b>L</b></p>  <p>(10PCS)</p>	<p><b>M</b></p>  <p>(1PC)</p>	<p><b>N</b></p>  <p>(1PC)</p>	<p><b>O</b></p>  <p>(1PC)</p>

# Panel List

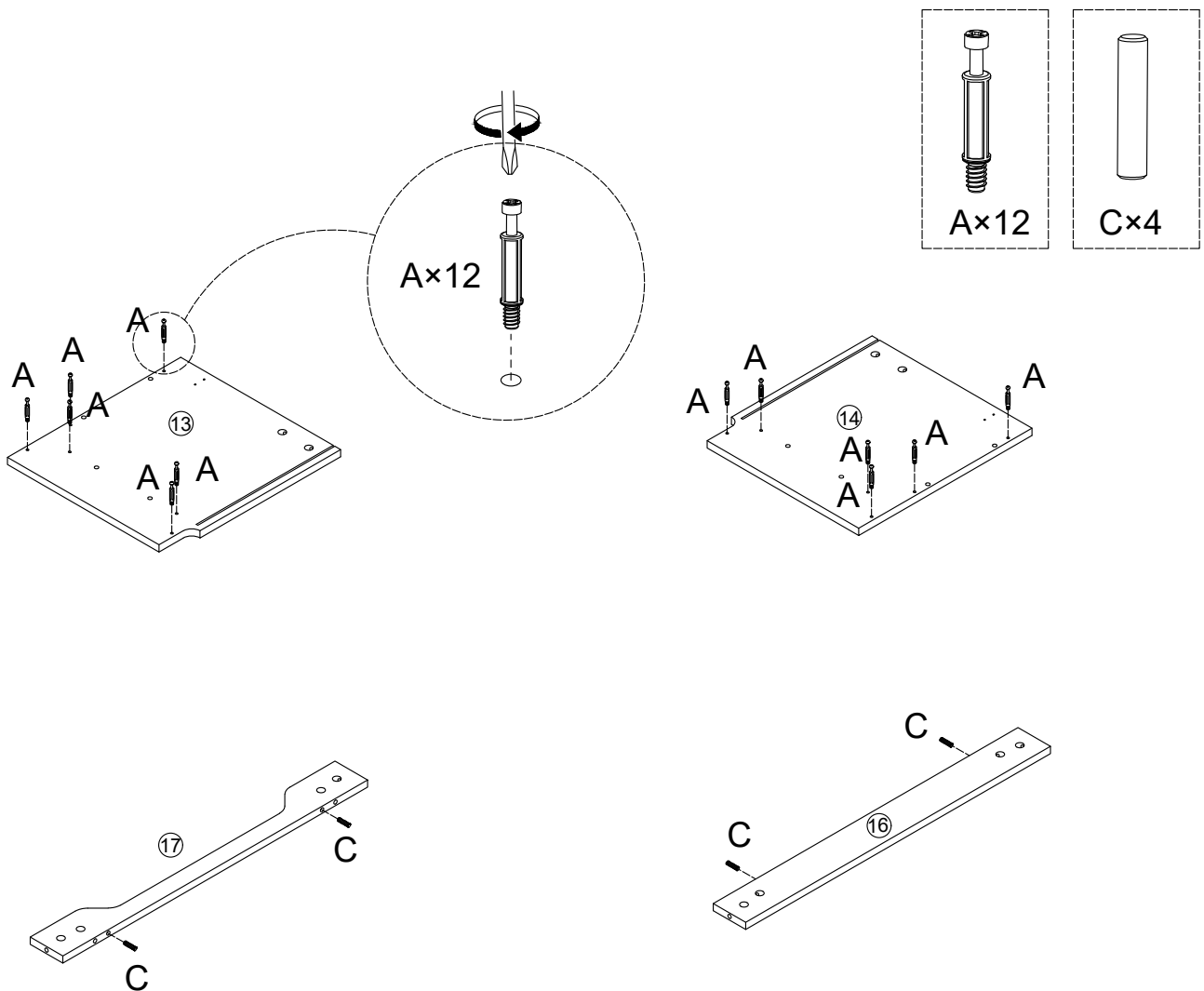
<p>①</p>  <p>800*220*15mm Top panel *1</p>	<p>②</p>  <p>1355*203*15mm Lateral plate *1</p>	<p>③</p>  <p>1355*203*15mm Lateral plate *1</p>	<p>④</p>  <p>730*200*15mm Intermediate panel *1</p>
<p>⑤</p>  <p>730*200*15mm Intermediate panel *1</p>	<p>⑥</p>  <p>170*190*15mm Pull plate *1</p>	<p>⑦</p>  <p>730*48*15mm Pull plate *1</p>	<p>⑧</p>  <p>872*100*15mm Pull plate *1</p>
<p>⑨</p>  <p>730*78*15mm Pull plate *1</p>	<p>⑩</p>  <p>800*250*15mm Intermediate panel *1</p>	<p>⑪</p>  <p>800*150*15mm Intermediate panel *1</p>	<p>⑫</p>  <p>730*380*15mm Intermediate panel *1</p>
<p>⑬</p>  <p>383*415*15mm Lateral plate *1</p>	<p>⑭</p>  <p>383*415*15mm Lateral plate *1</p>	<p>⑮</p>  <p>730*320*15mm Lateral plate *1</p>	<p>⑯</p>  <p>730*78*15mm Pull plate *1</p>
<p>⑰</p>  <p>730*78*15mm Pull plate *1</p>	<p>⑱</p>  <p>740*332*2.5mm Pear panel *1</p>	<p>⑲</p>  <p>882*325*2.5mm Pear panel *2</p>	<p>⑳</p>  <p>740*200*2.5mm Pear panel *1</p>

# Assembling the unit with camlocks and wood dowels.

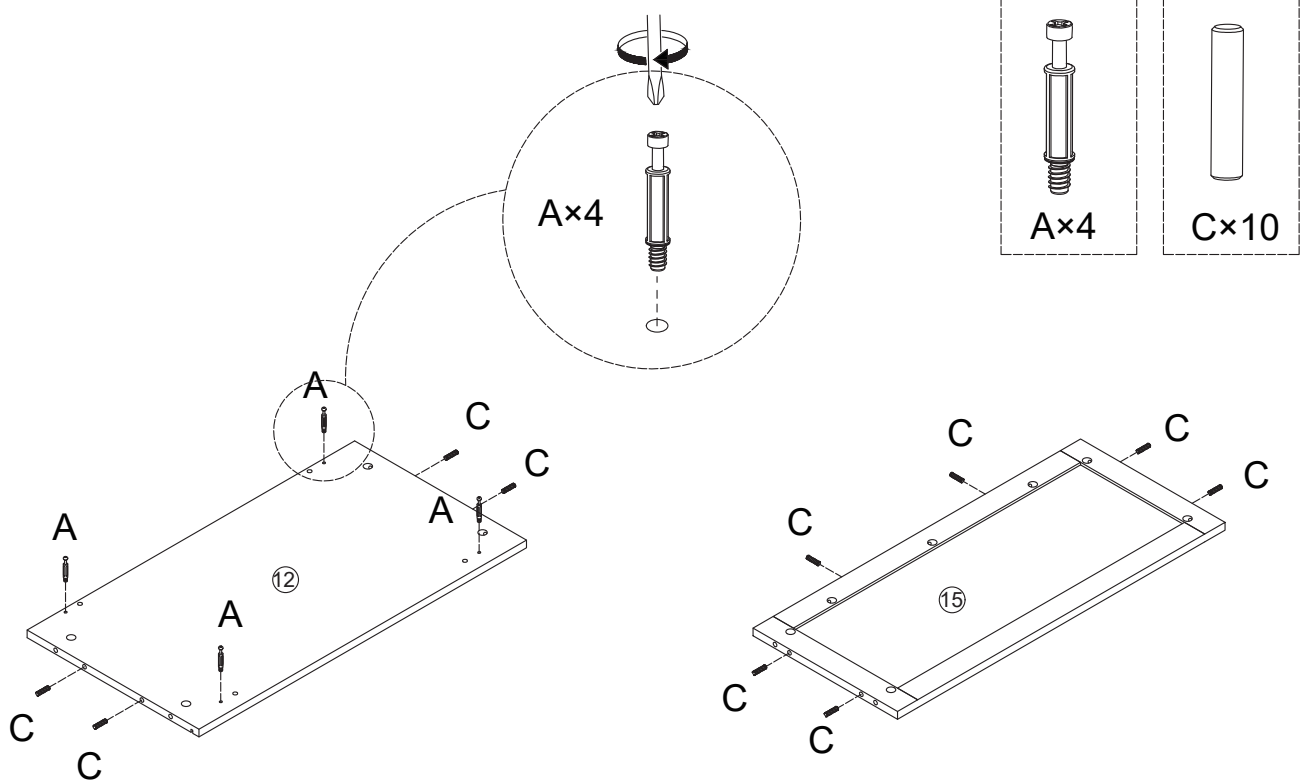


## Assembly instructions

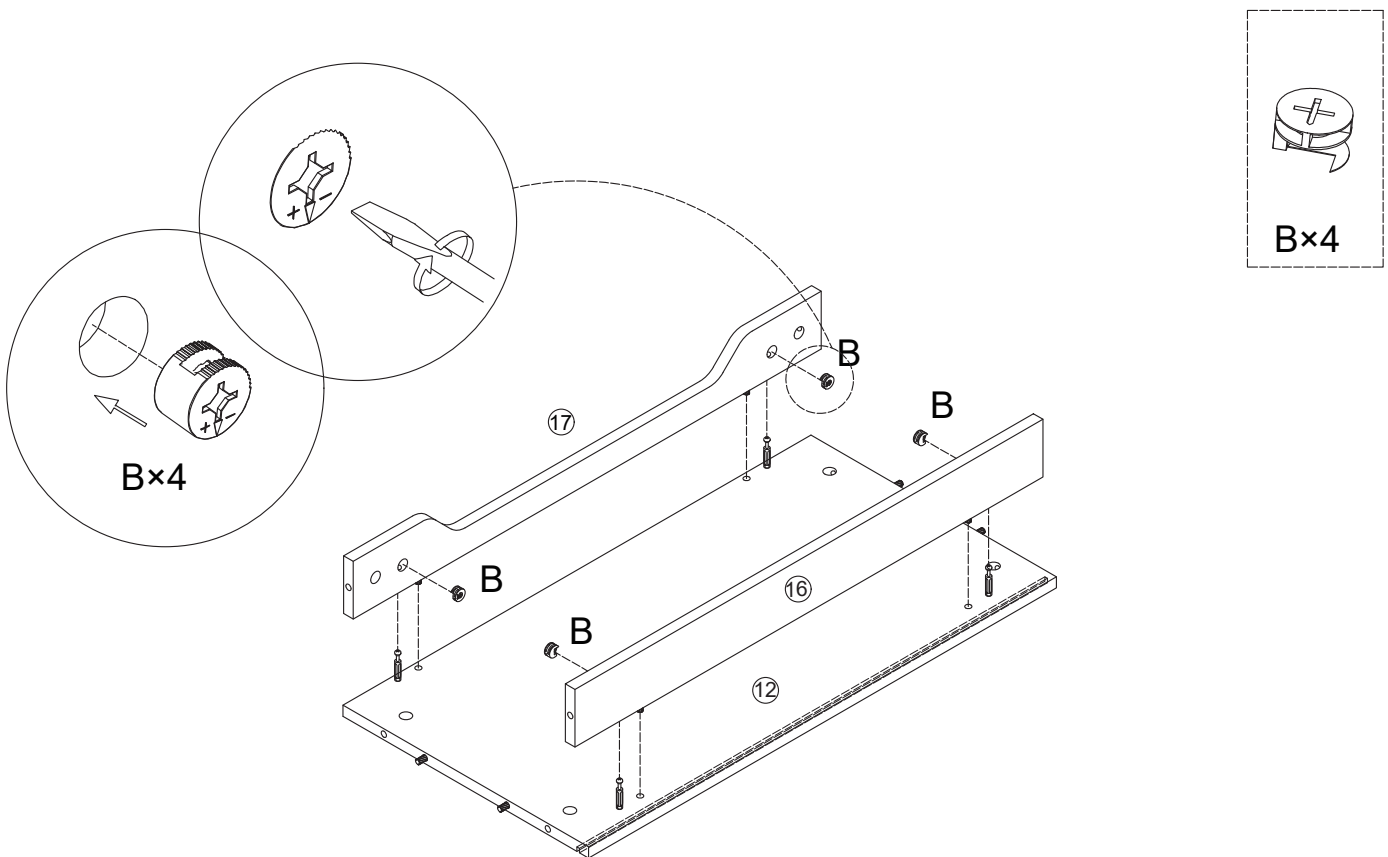
### Step 1



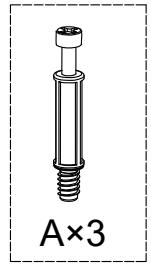
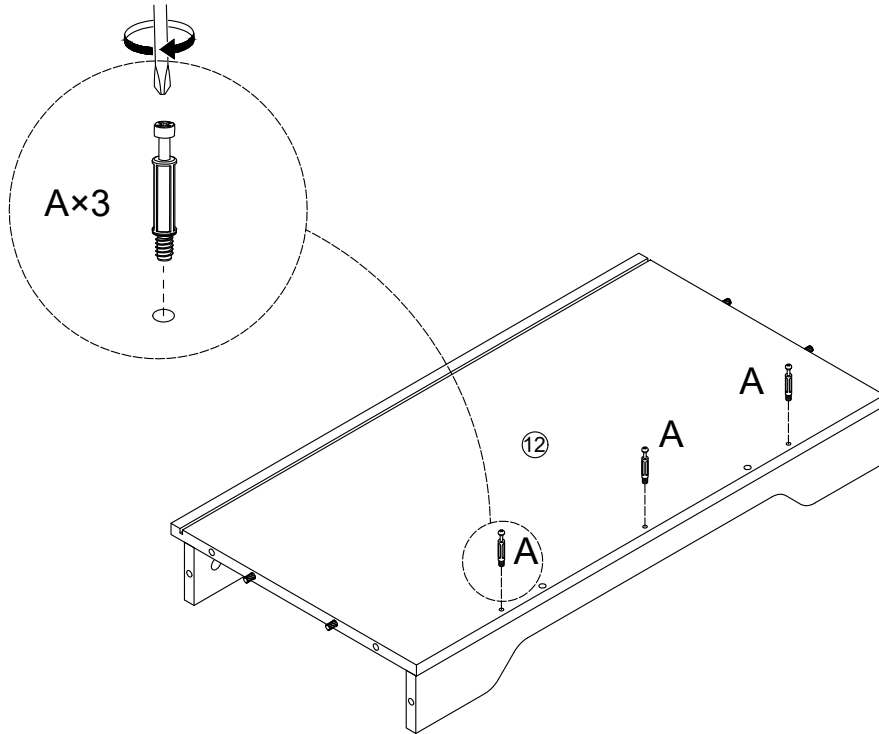
## Step 2



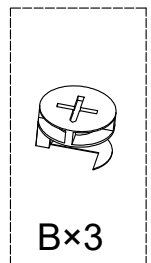
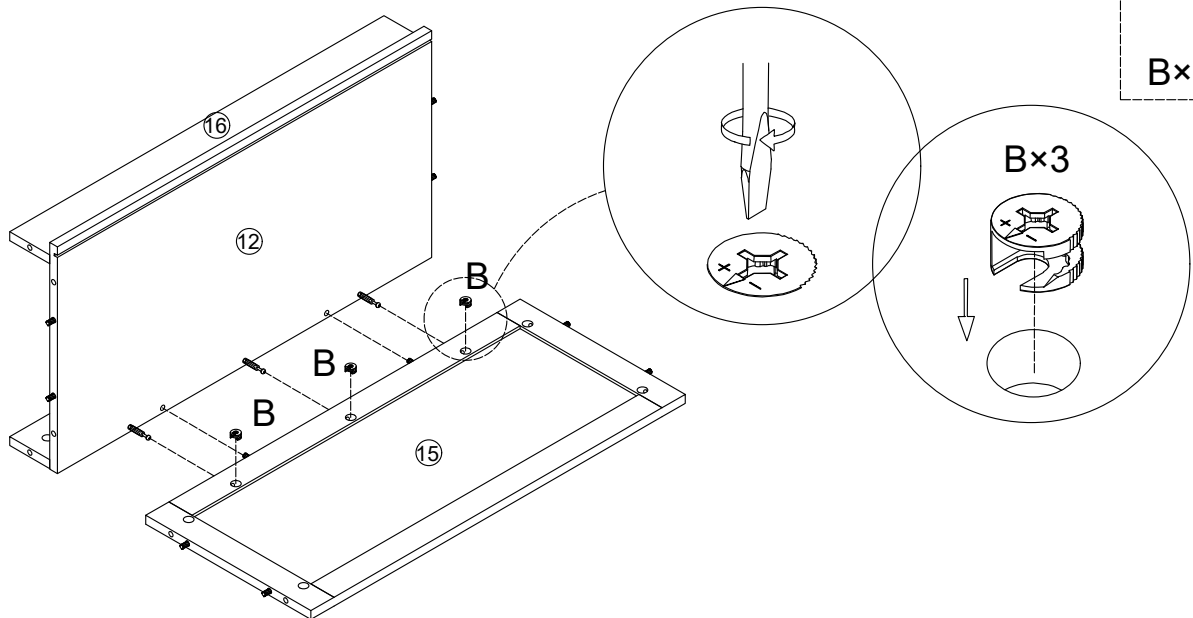
## Step 3



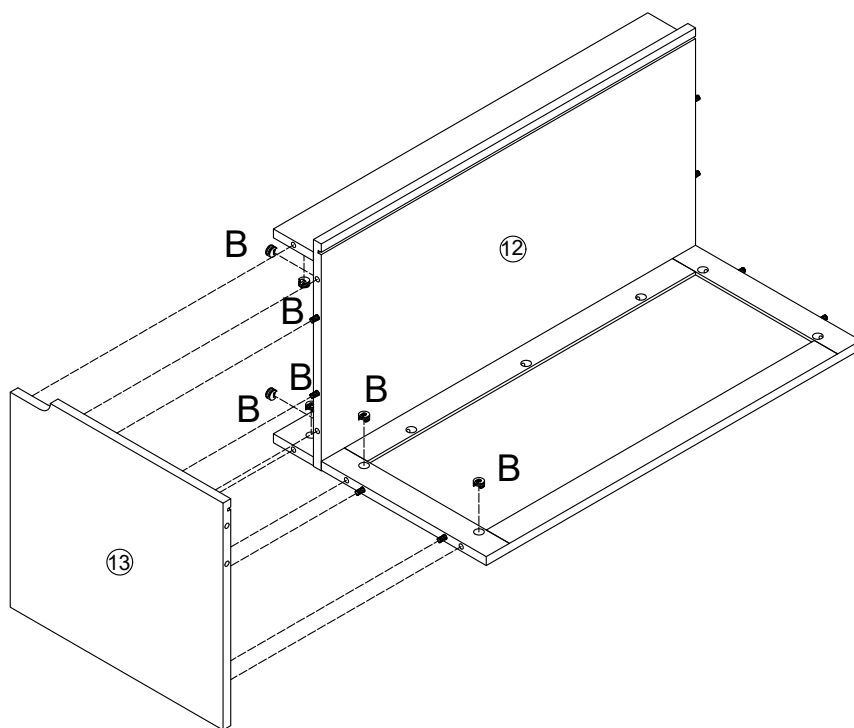
# Step 4



# Step 5

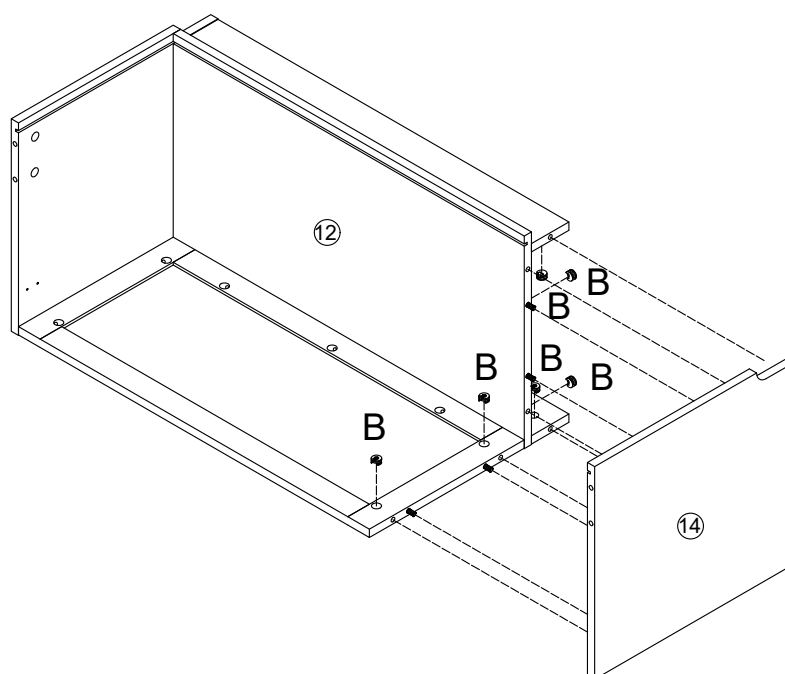


## Step 6



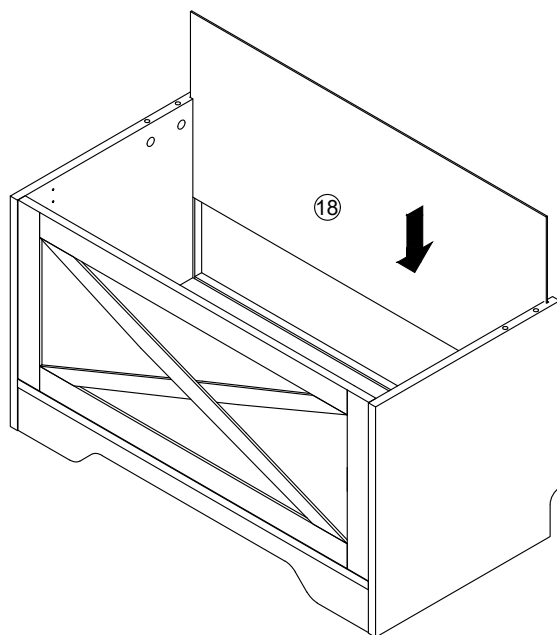
B×6

## Step 7

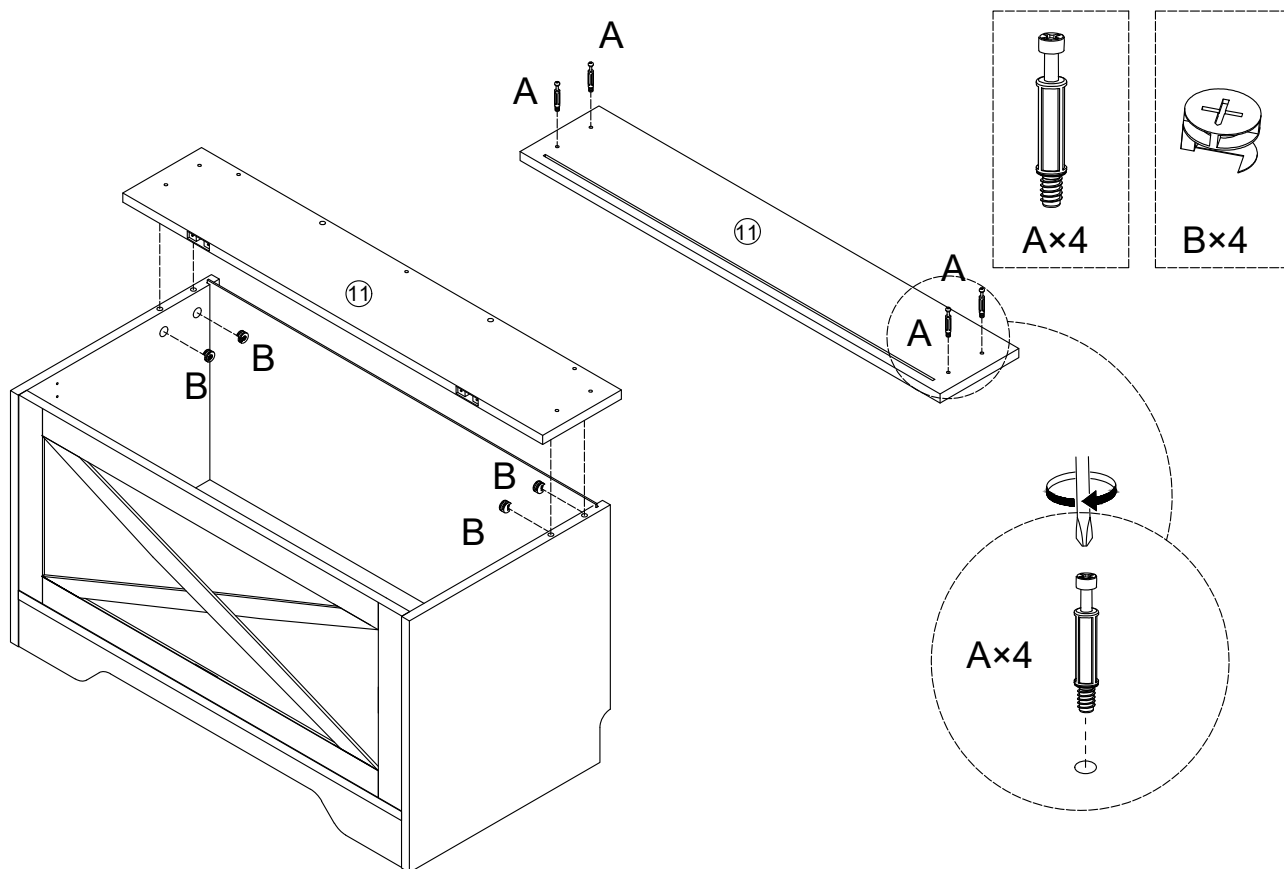


B×6

# Step 8

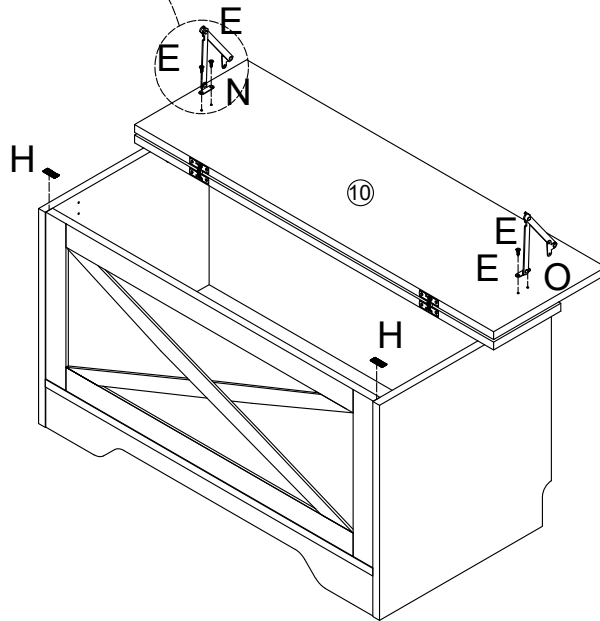
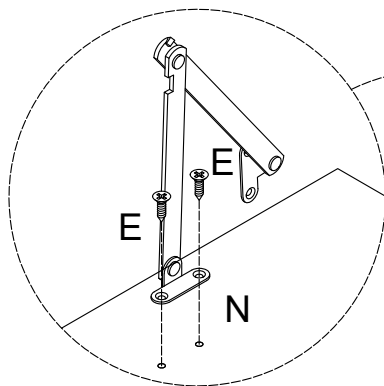


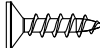
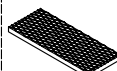


# Step 9



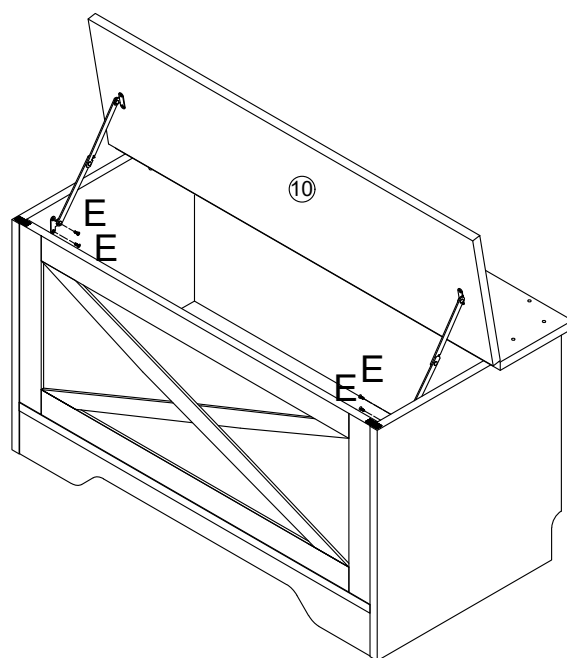


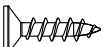
# Step 12



- |   |   |
|---|---|
|  |  |
| E×4   | H×2   |
|  |  |
| N×1   | O×1   |

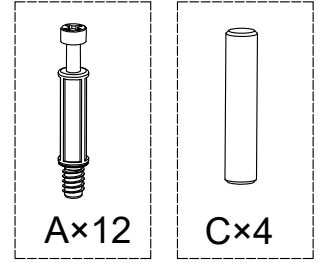
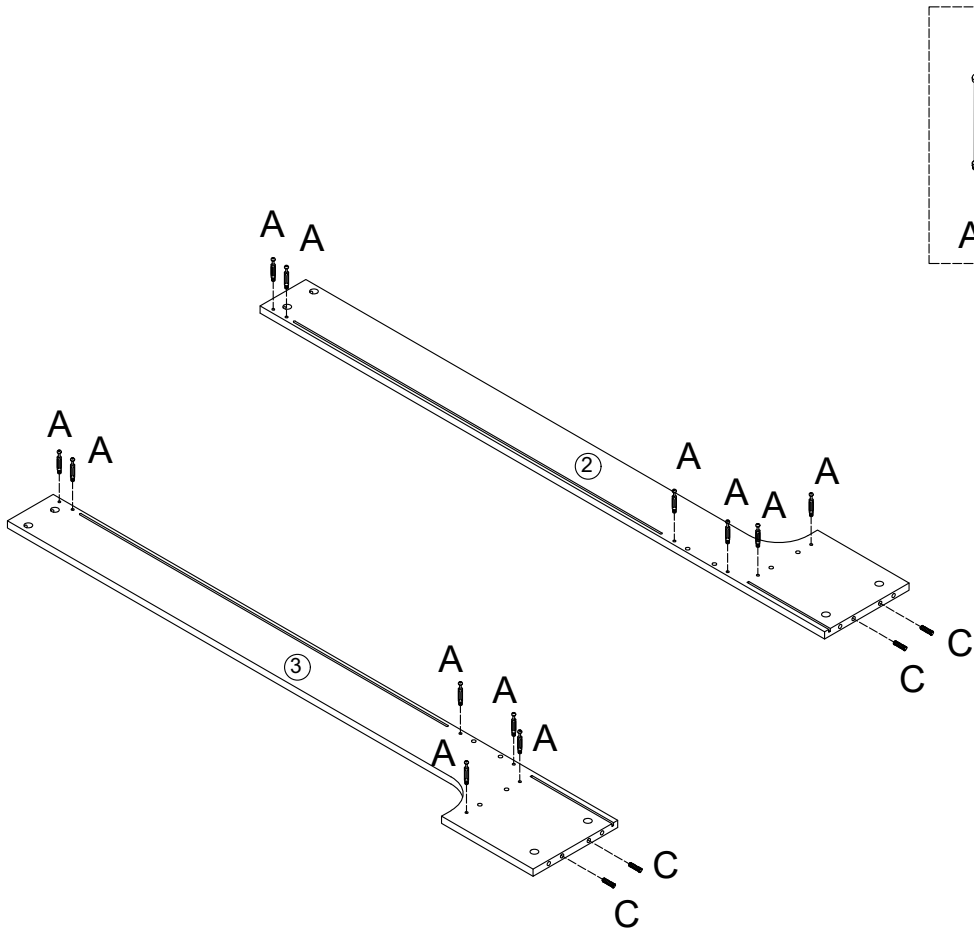
# Step 13



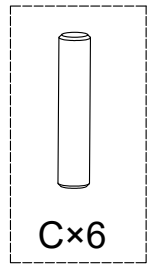
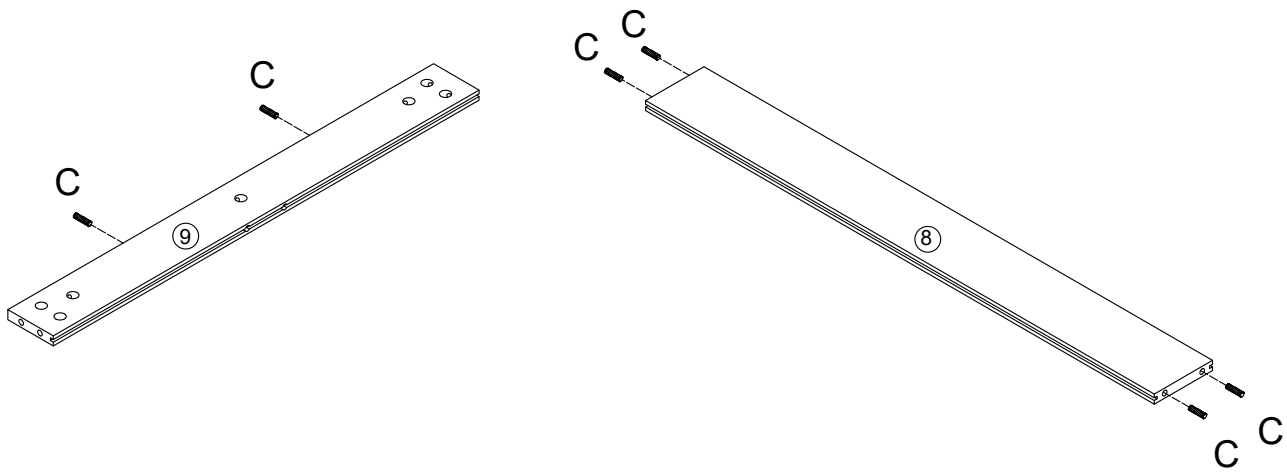
- |   |
|---|
|  |
| E×4   |



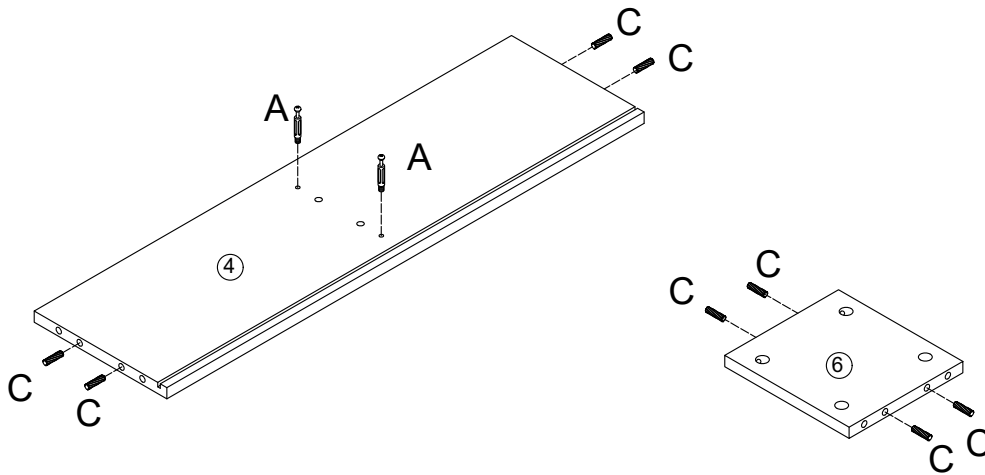
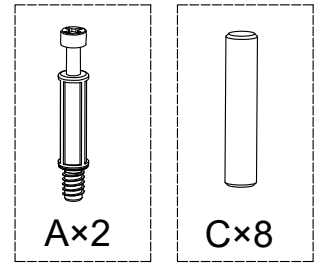
# Step 16



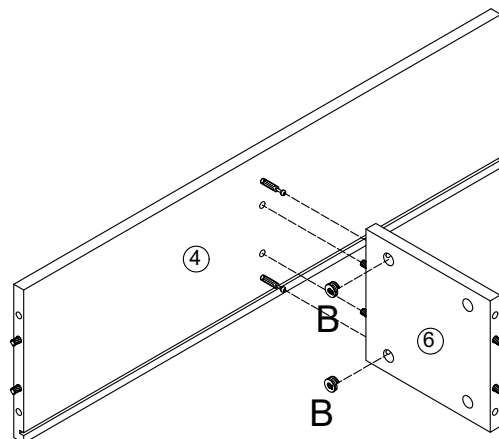
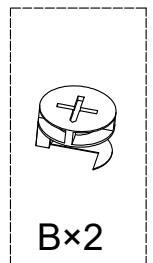
# Step 17



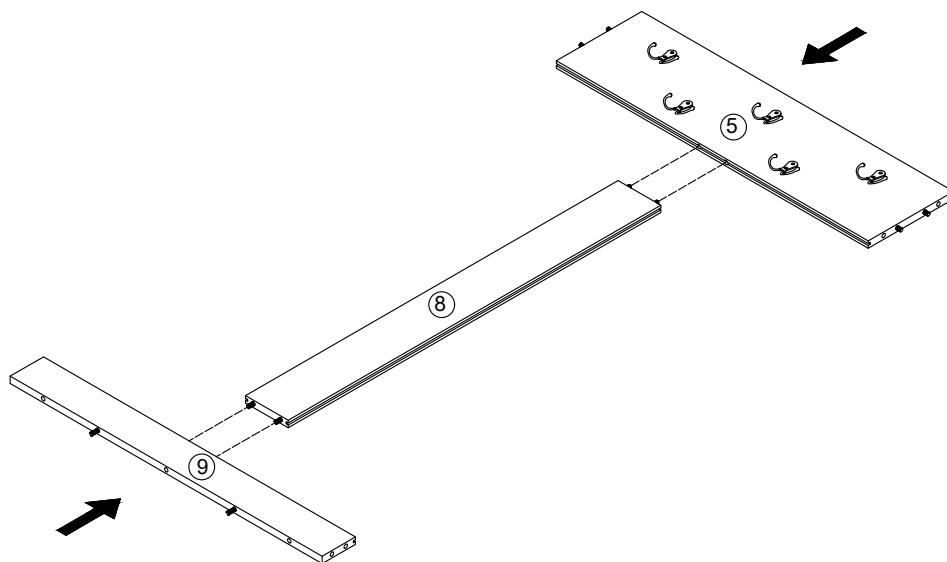
# Step 18



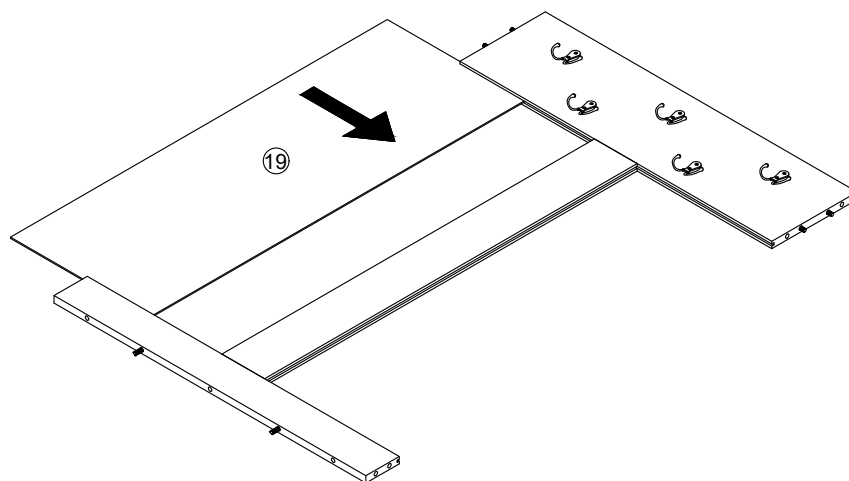
# Step 19



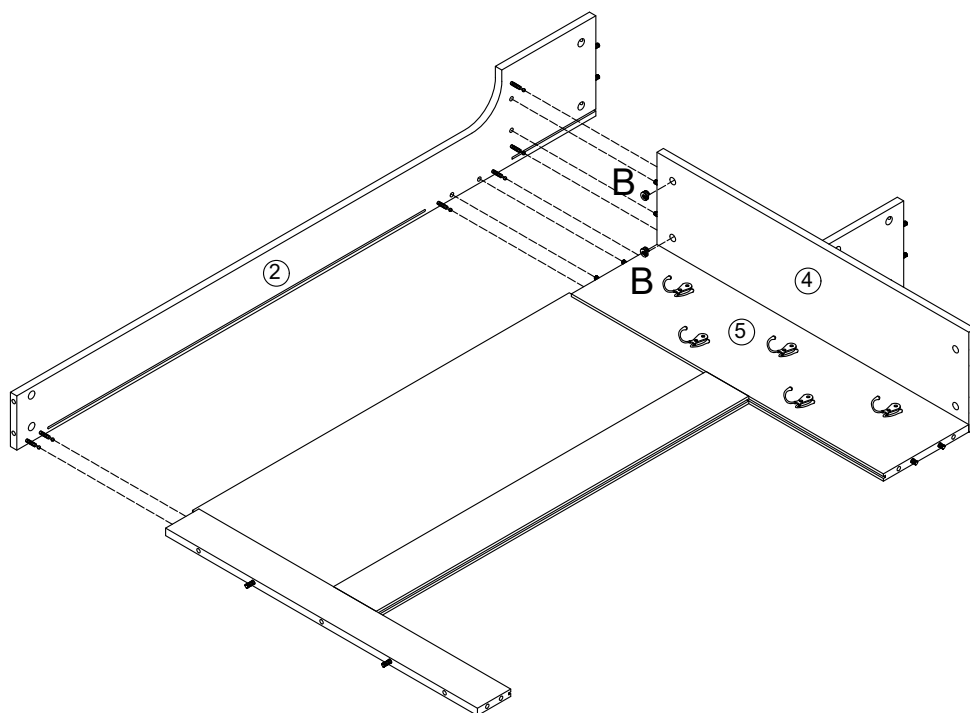
## Step 20



## Step 21

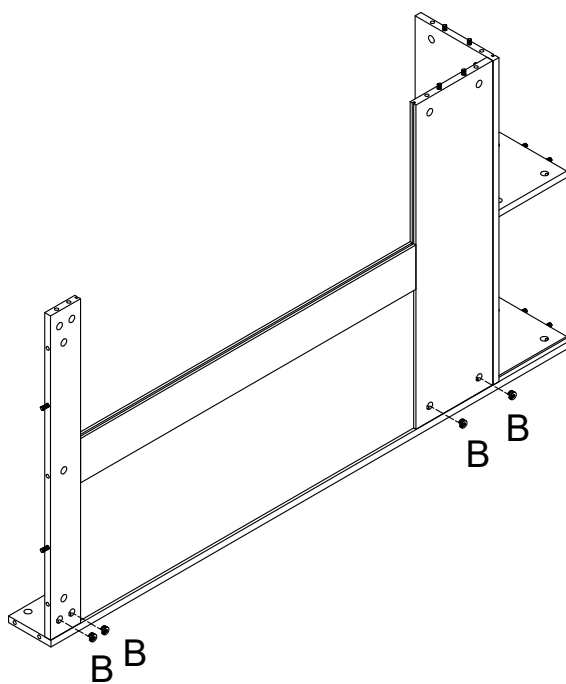


## Step 22



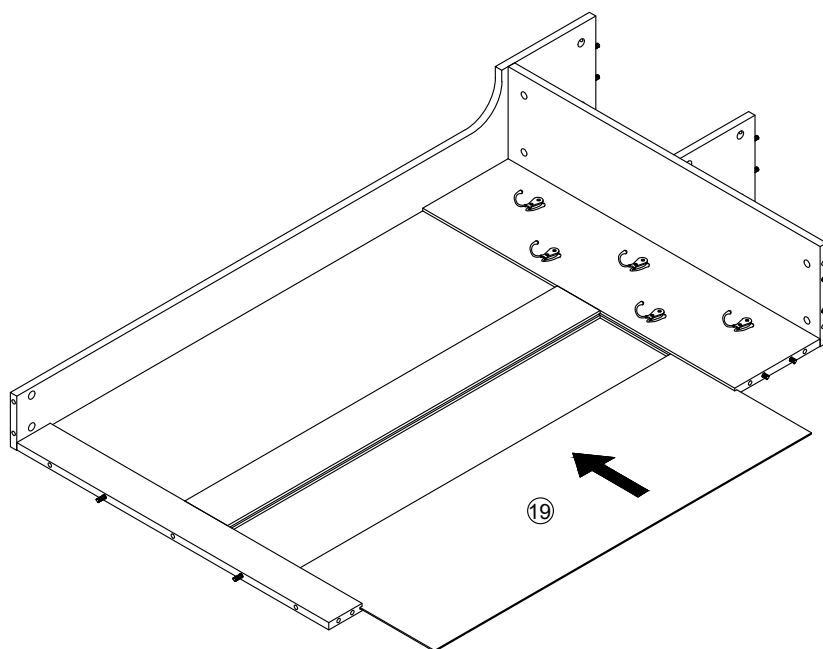
B×2

## Step 23

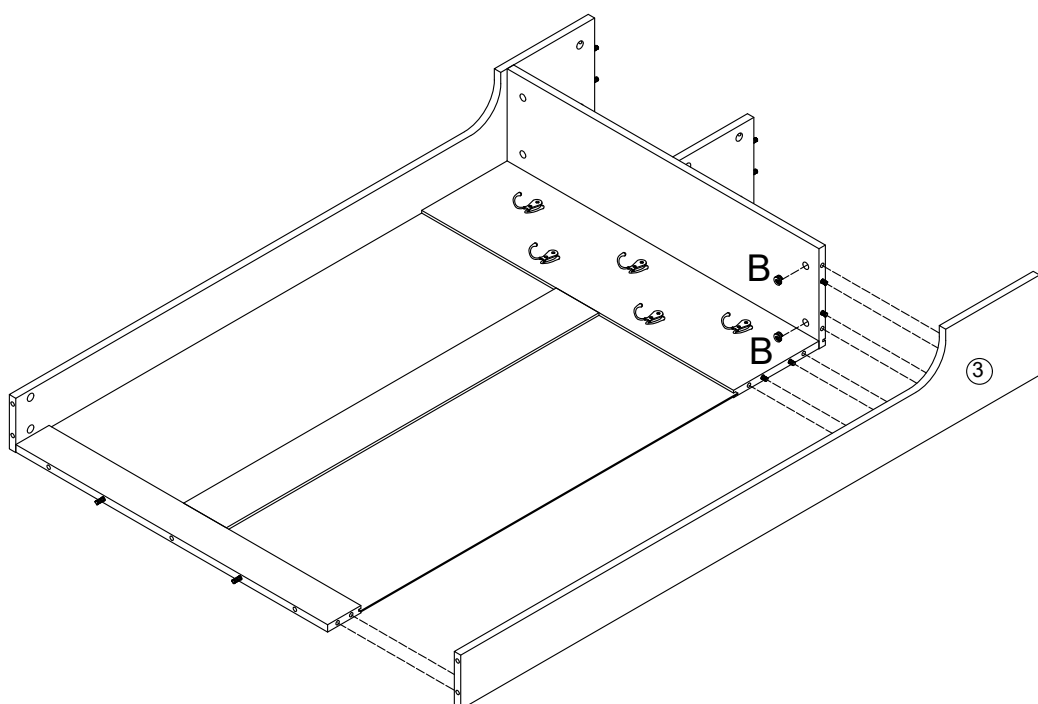


B×4

## Step 24

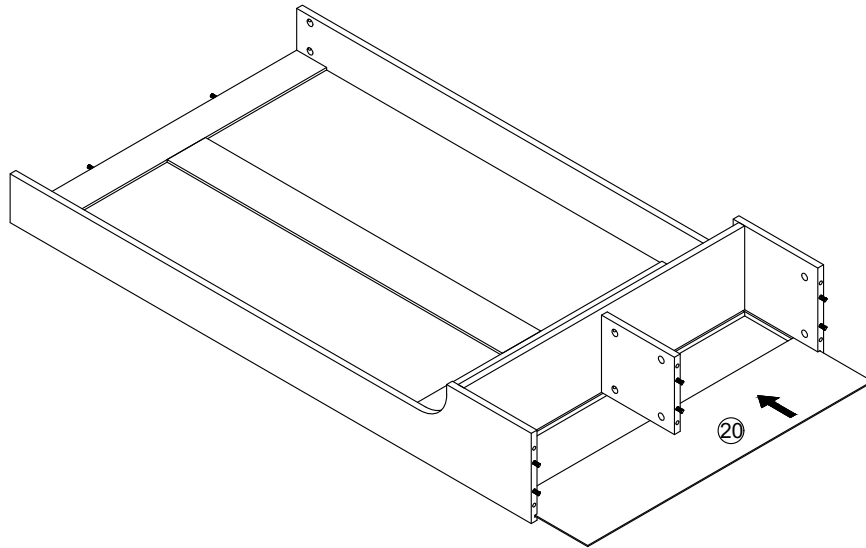


## Step 25

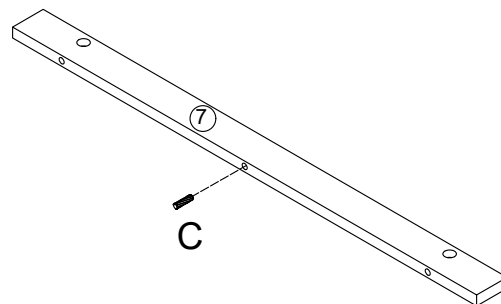
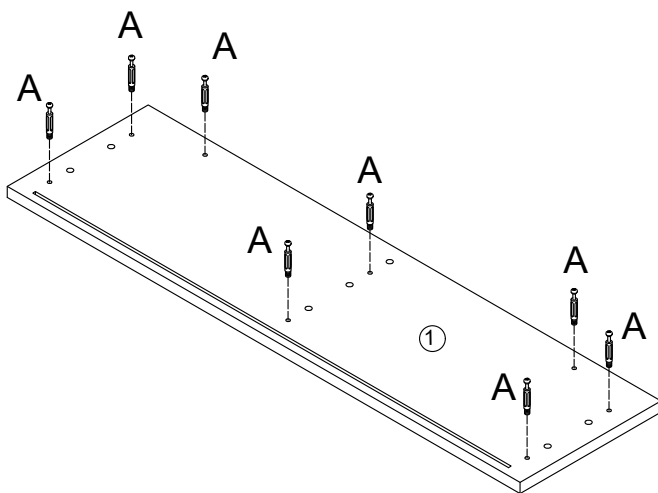
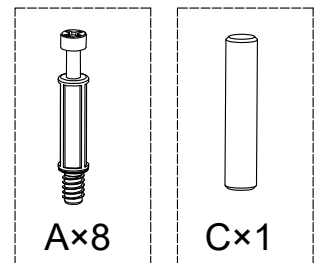


B×2

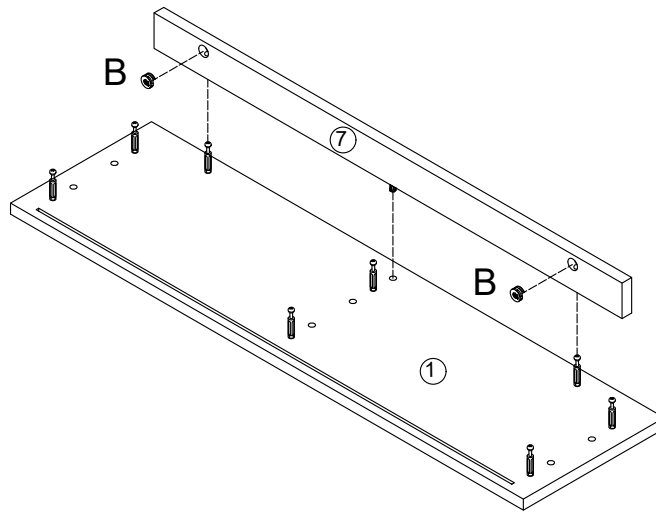
# Step 26



# Step 27

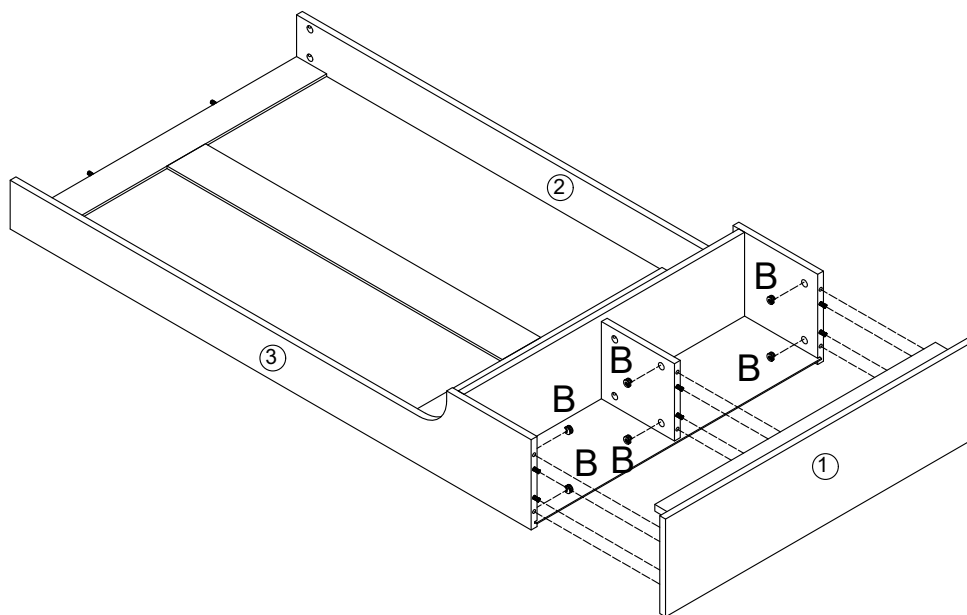


# Step 28



B×2

# Step 29

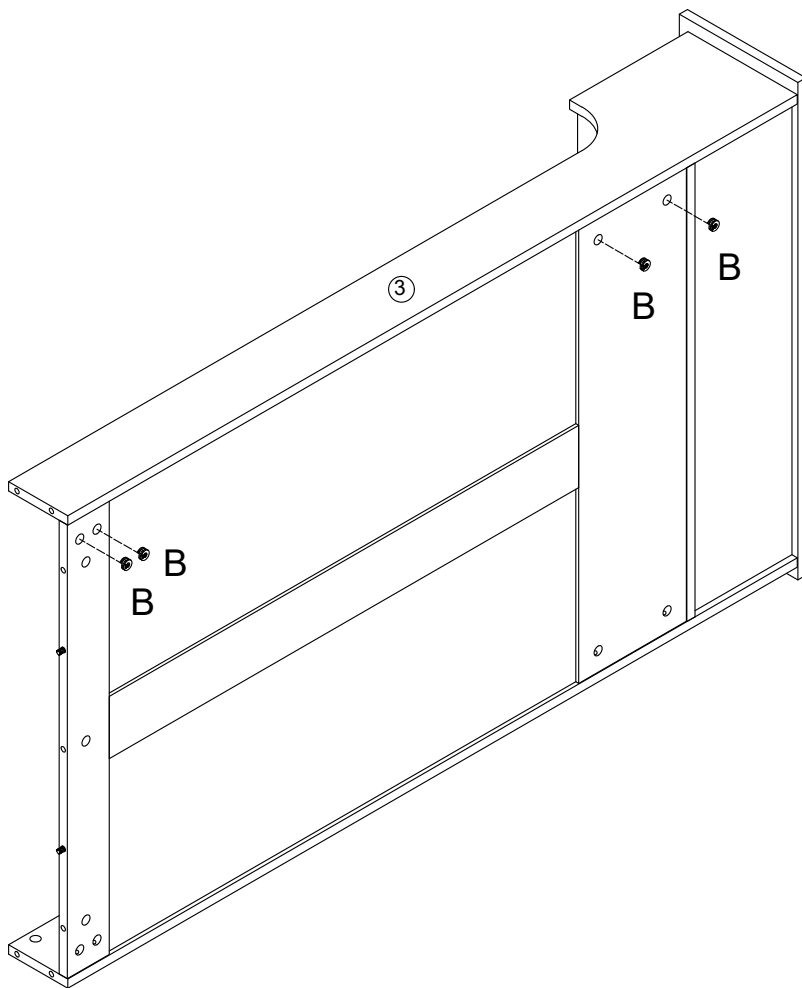


B×6

# Step 30



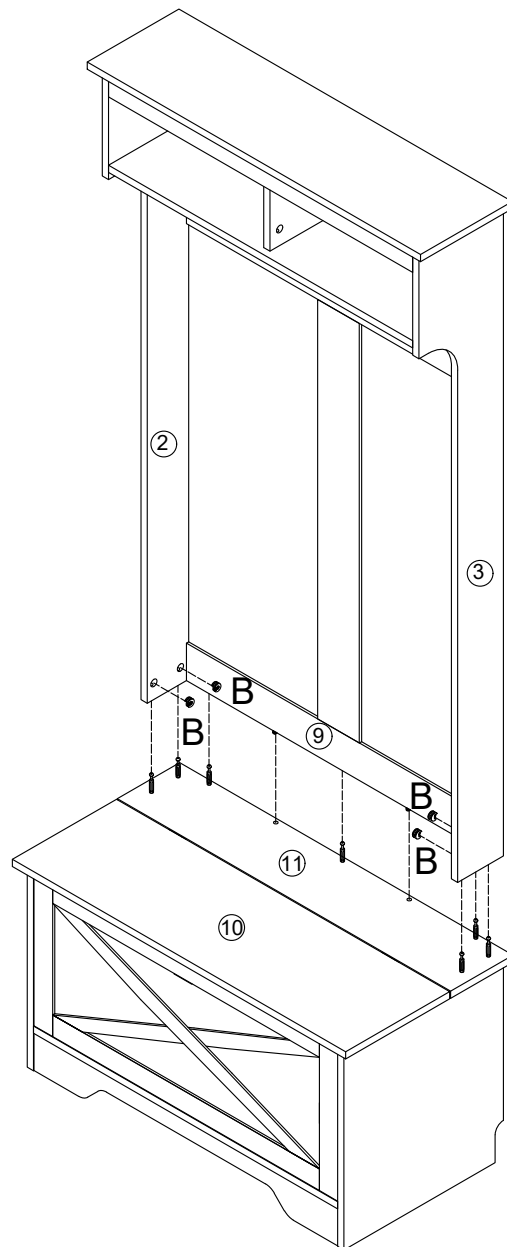
Bx4



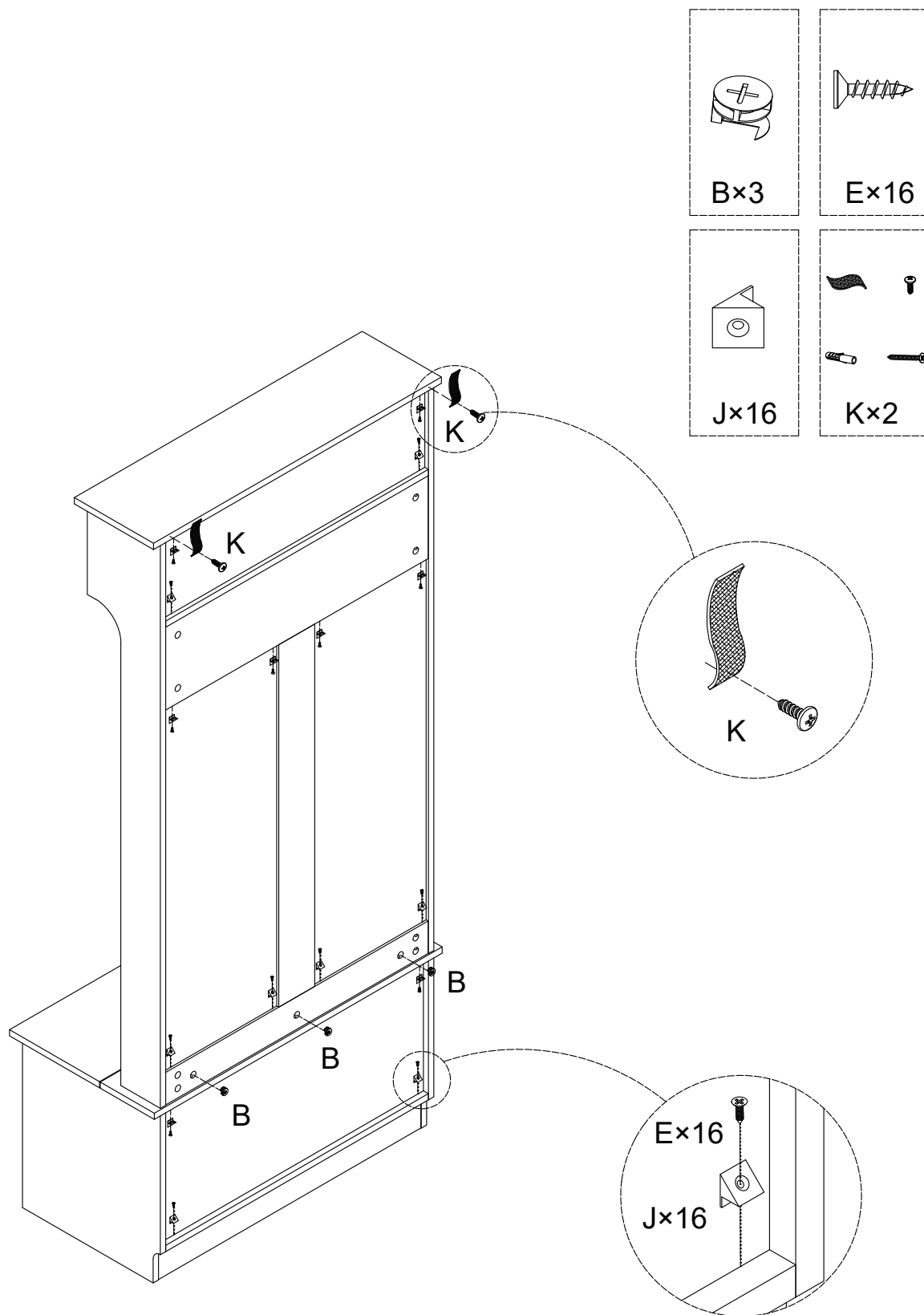
# Step 31



Bx4



# Step 32



# Step 33

Be careful! This product must be installed to prevent dumping and fixed on the wall before it can be used!

