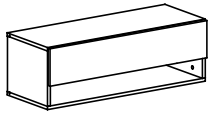
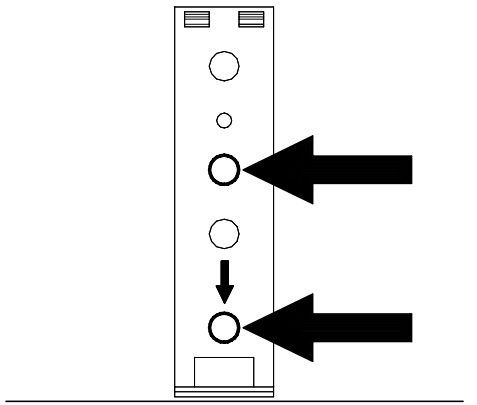
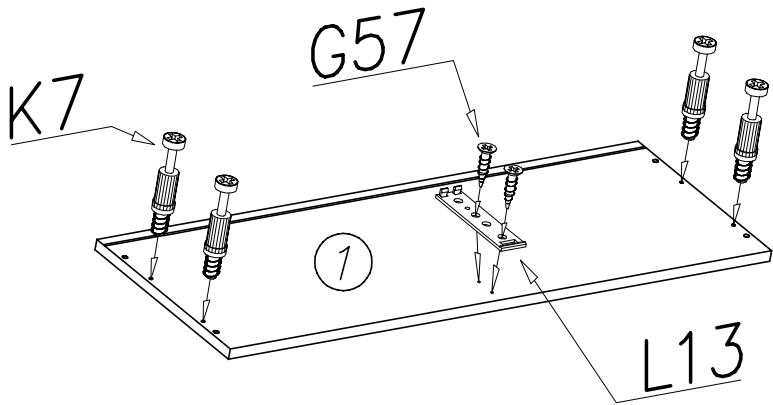


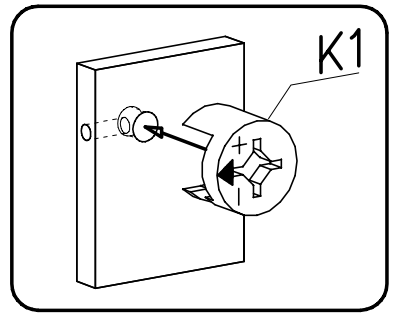
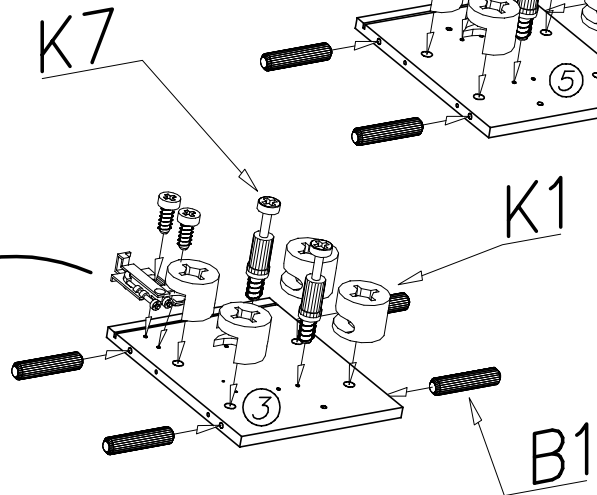
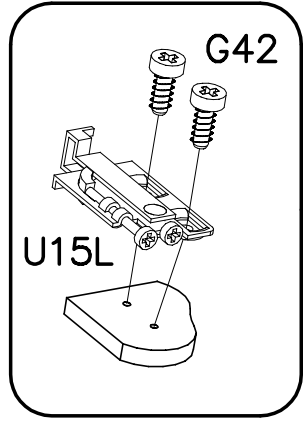
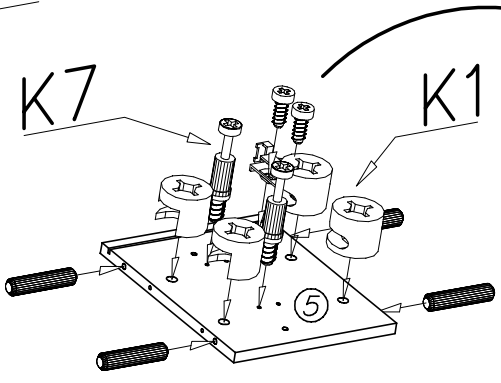
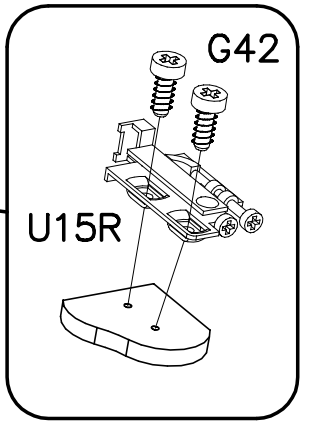
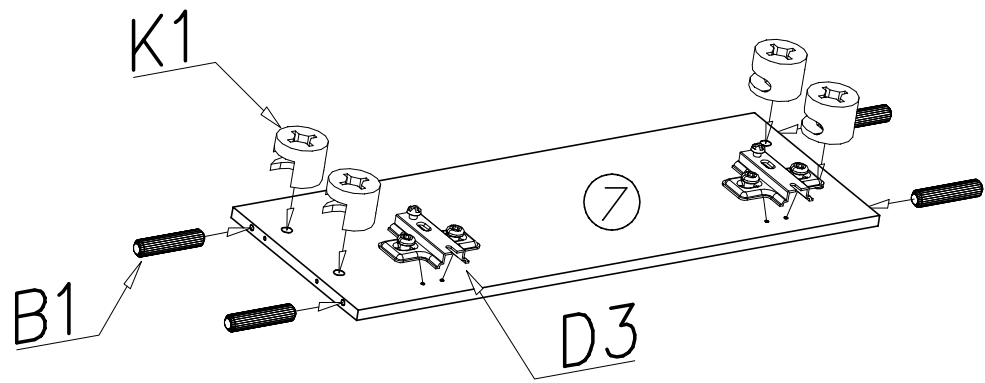
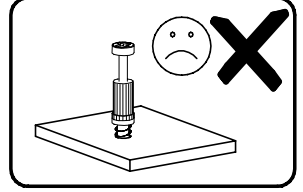
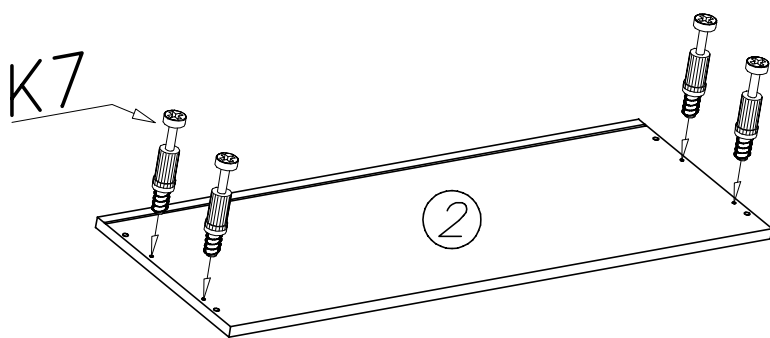
		L13 x...(1)		W10 800mm x...(1)	
L6 x...(1)	U16R x...(1)	U16L x...(1)	G57 3,5x16 x...(2)	G42 6x14 x...(4)	
	N7 M4x15 x...(2)	U15L x...(1)	U15R x...(1)	U7 x...(2)	
K1 Ø15x12 x...(12)	I7 x...(12)	I1 x...(6)	U8 Ø10x60 x...(2)		
K7 x...(12)	B1 Ø8x35 x...(12)	C3 Z35PR x...(2)	D3 H=2 PZ35PR x...(2)	G34 3,5x16 x...(14)	

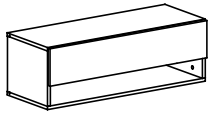


I

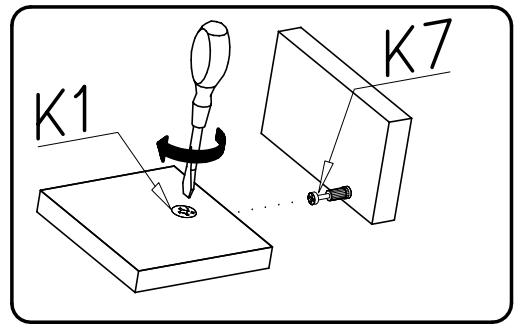
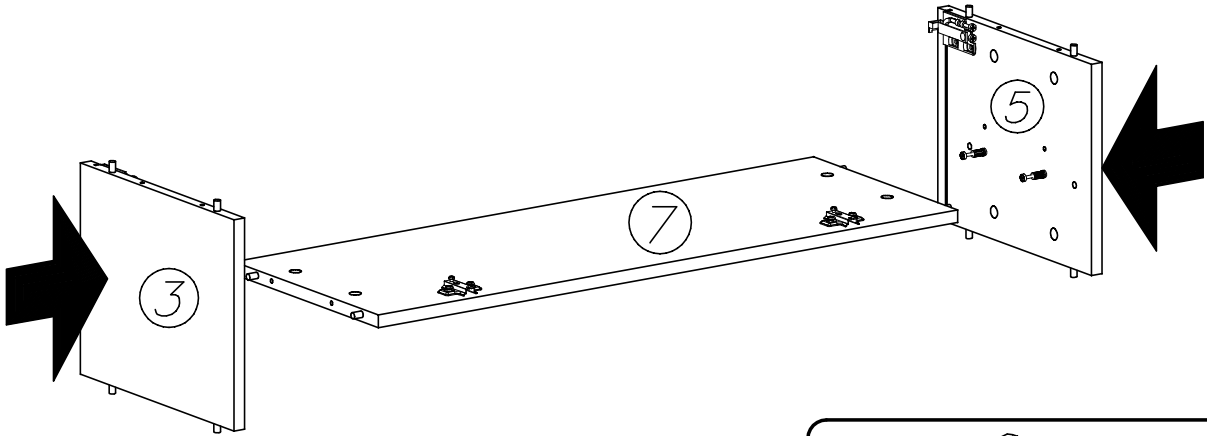


front

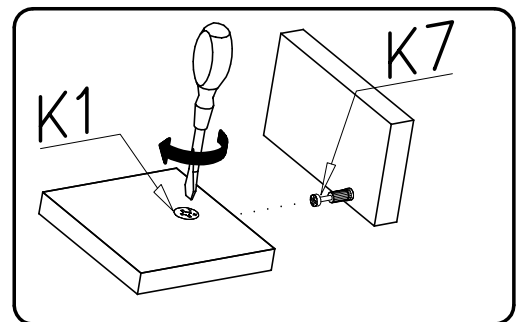
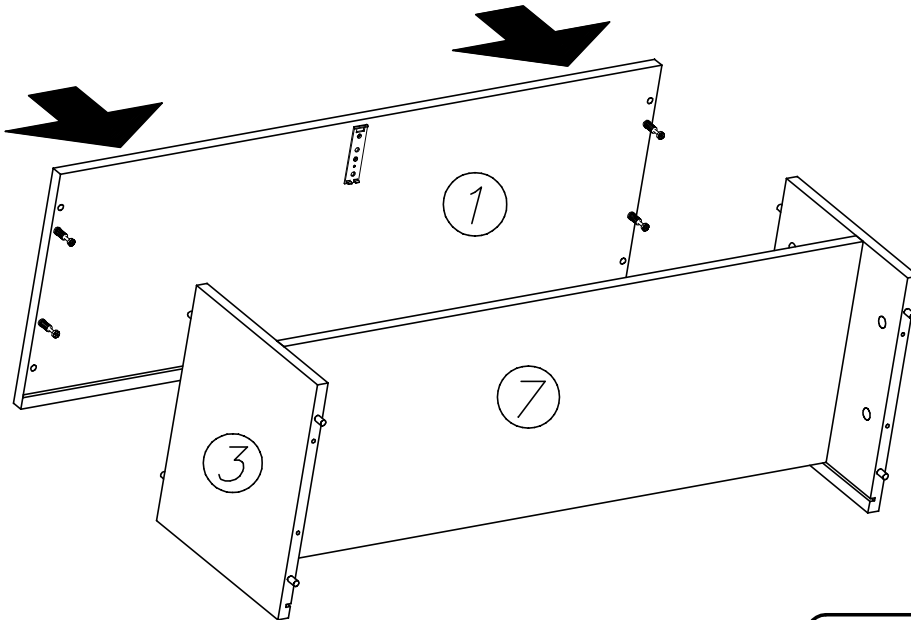


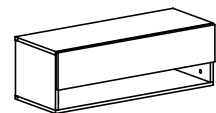


II

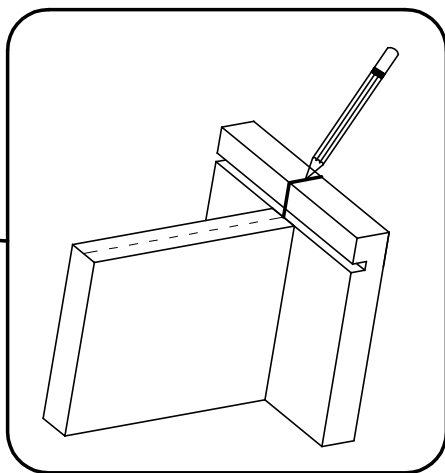
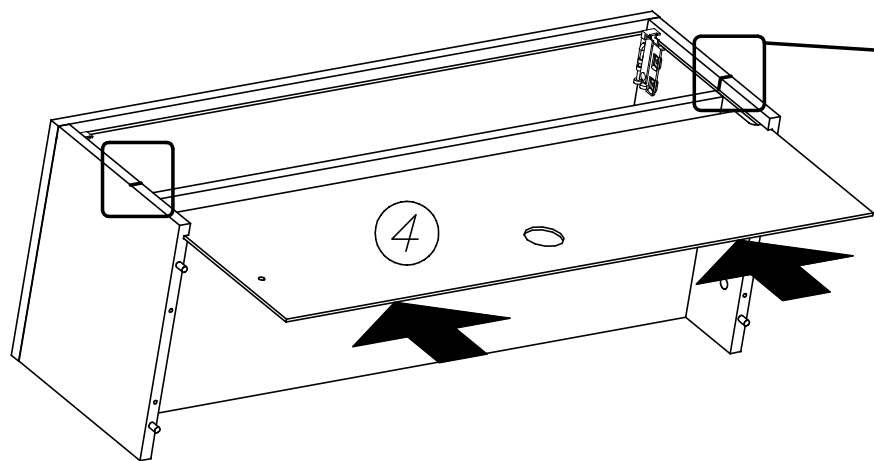


III

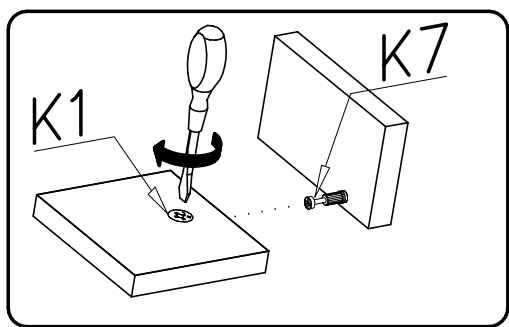
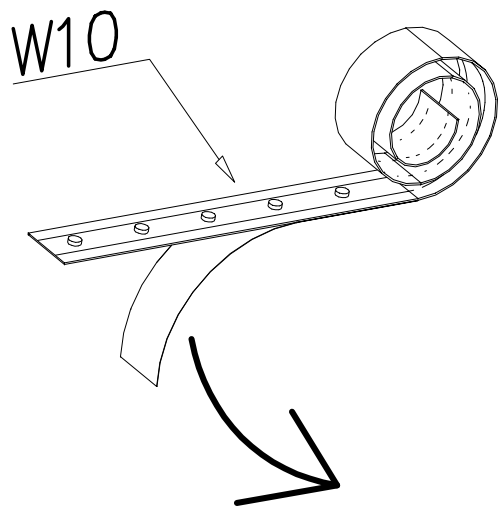
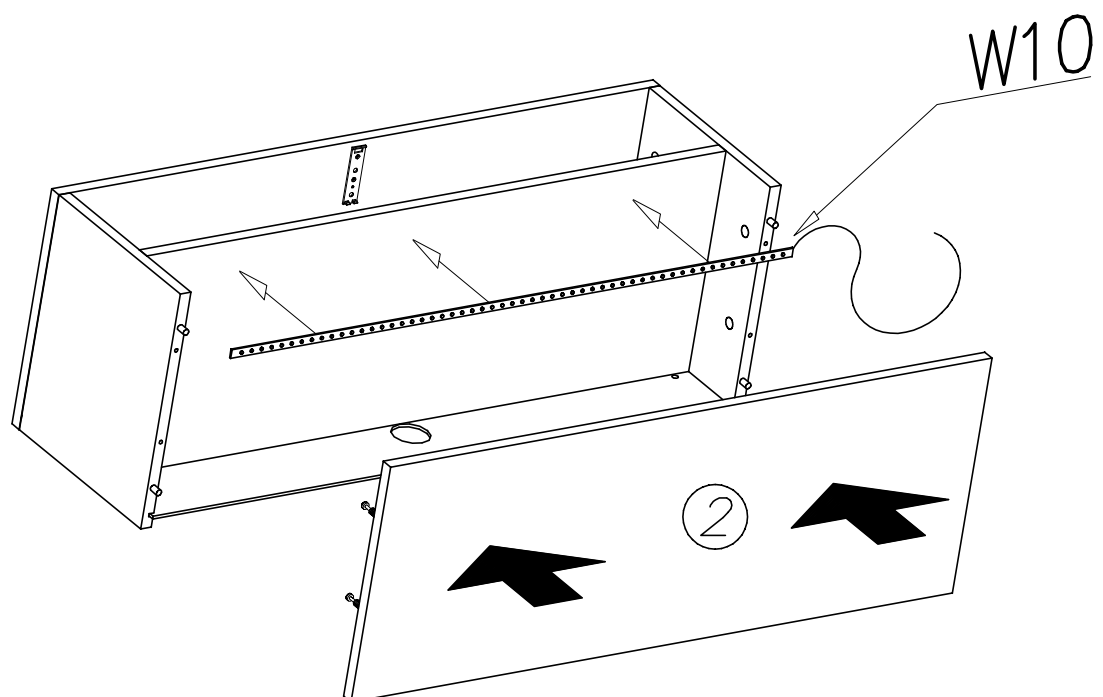


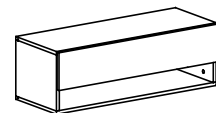


IV

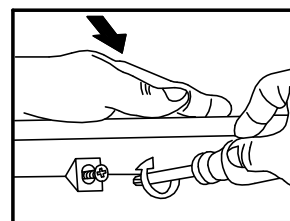
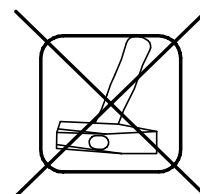
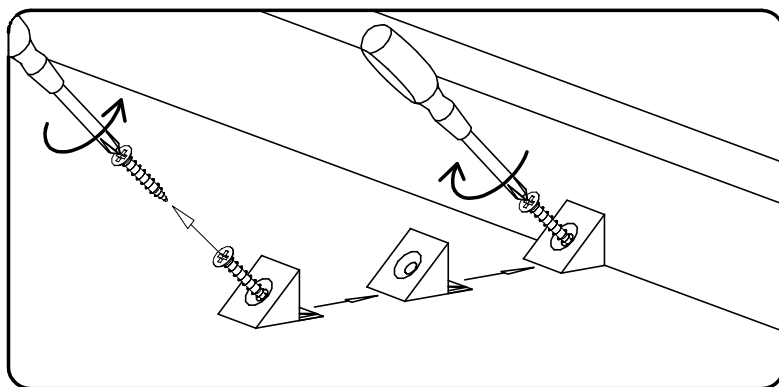
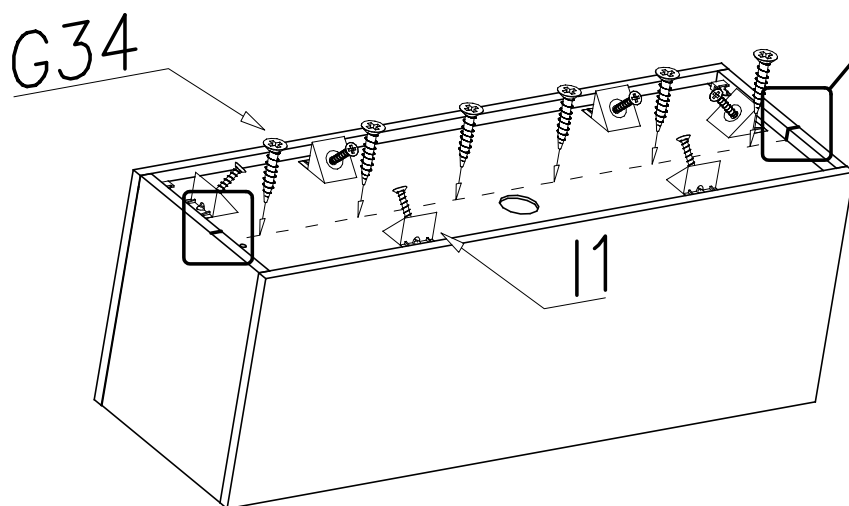
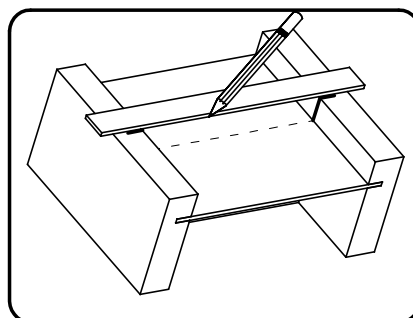
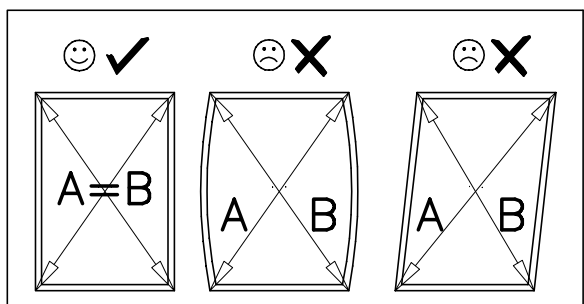


V

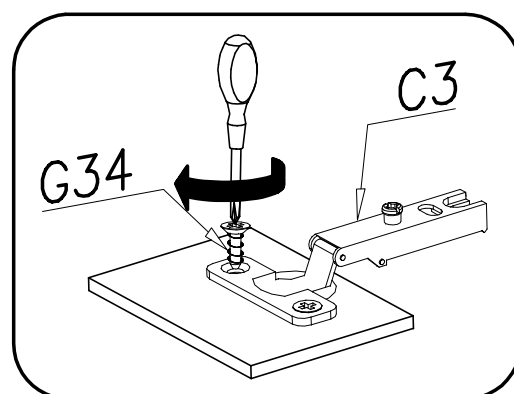
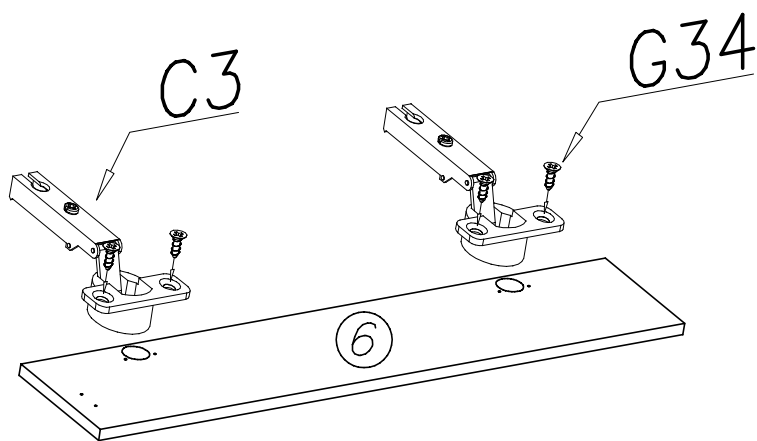


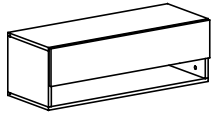


VI

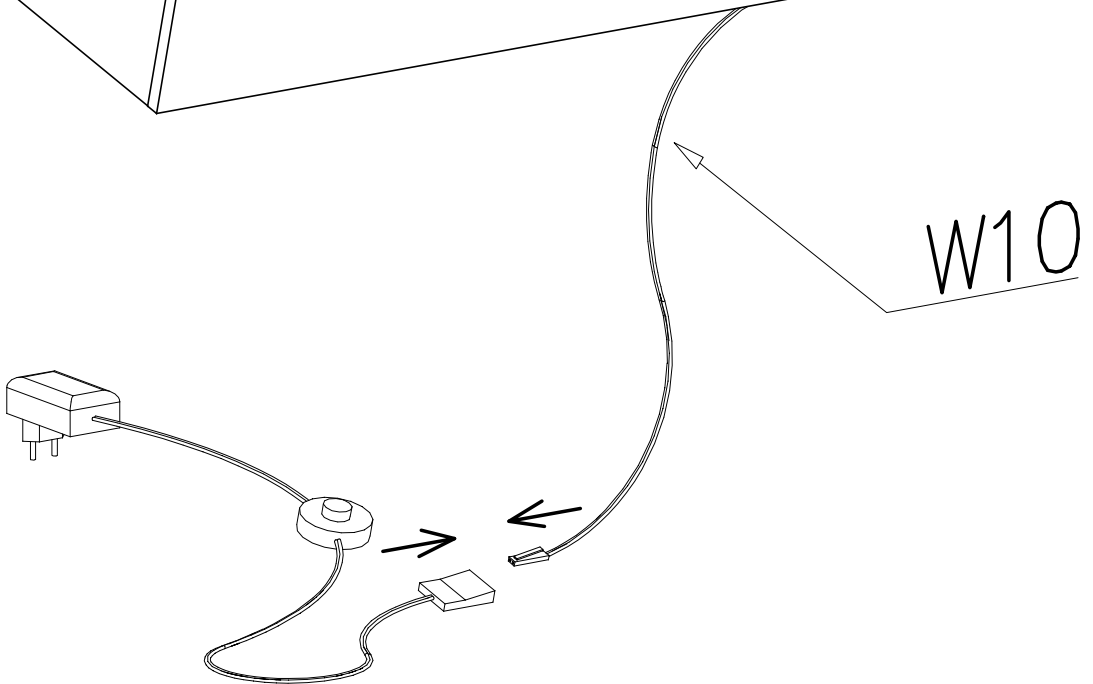
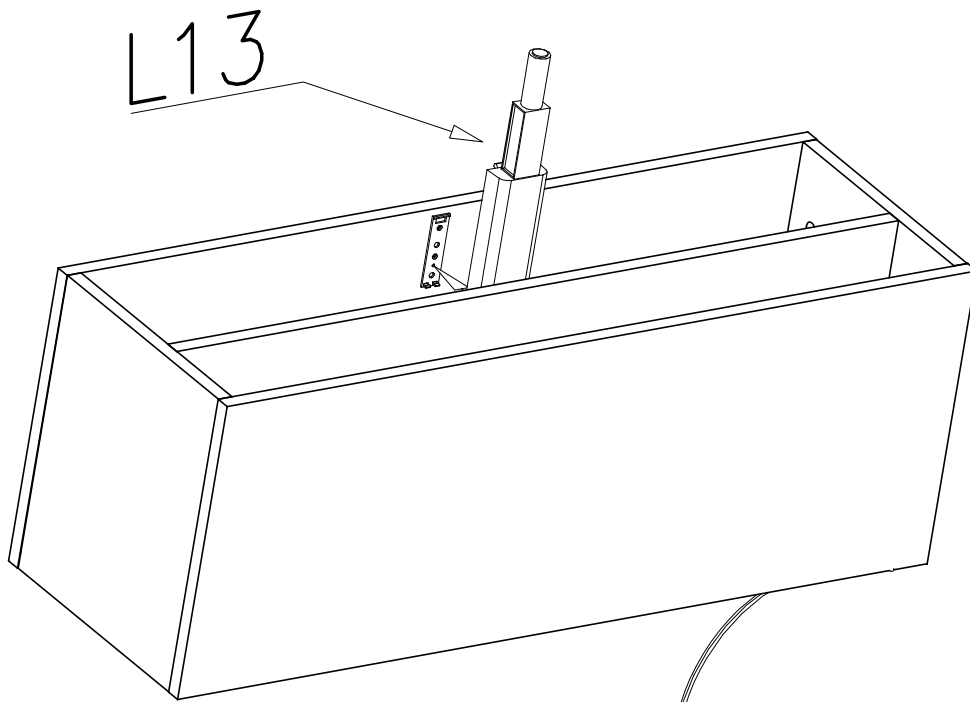
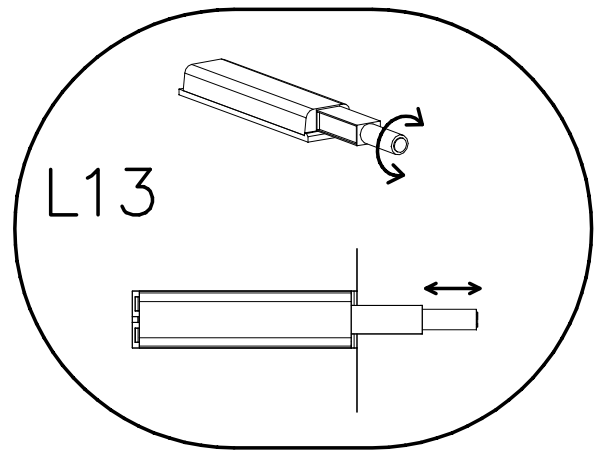
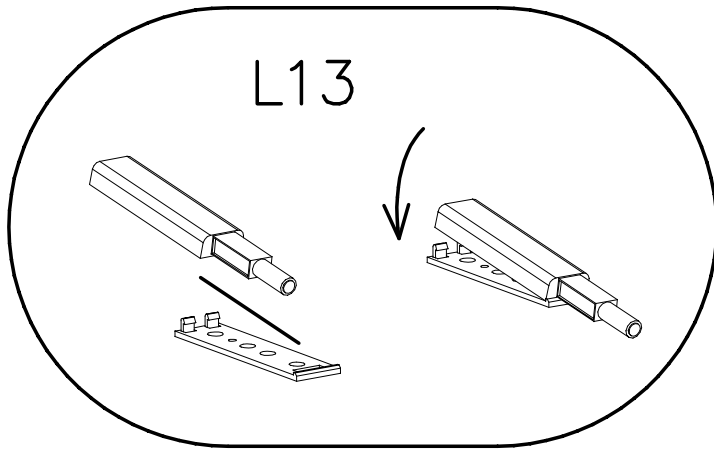


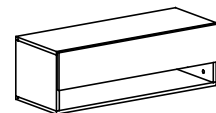
VII



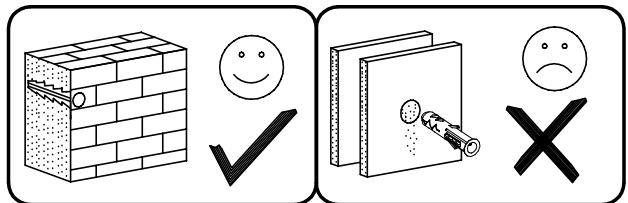
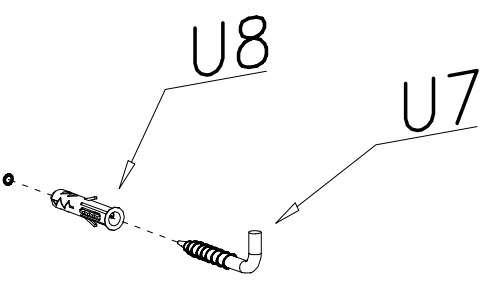
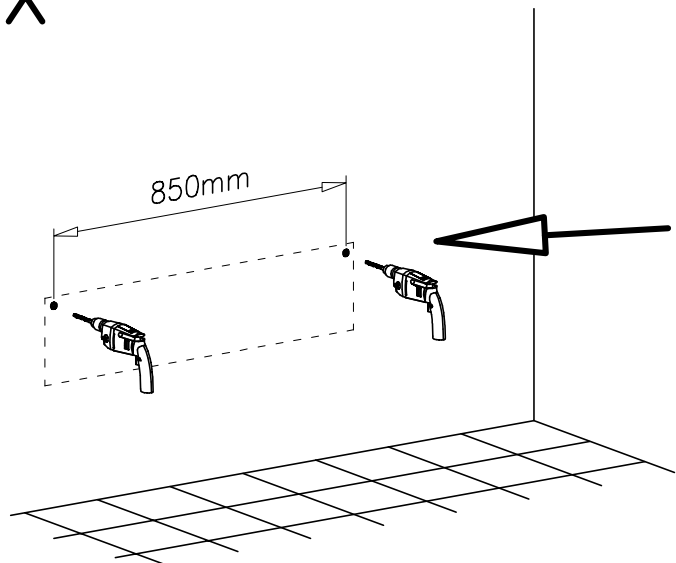


VIII

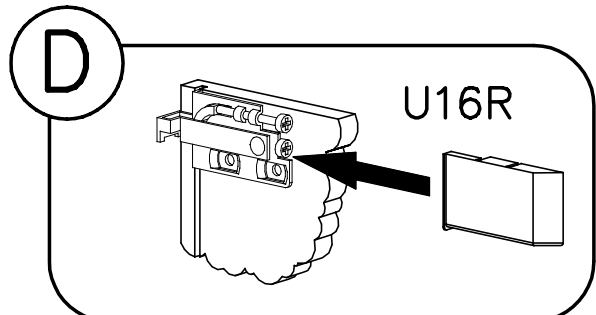
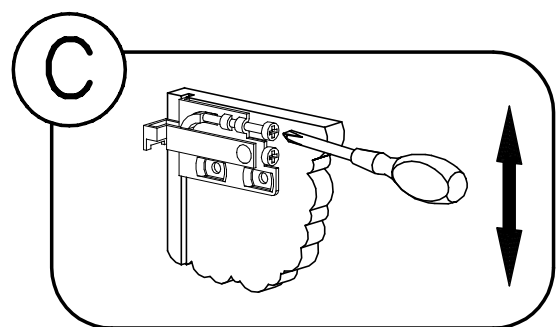
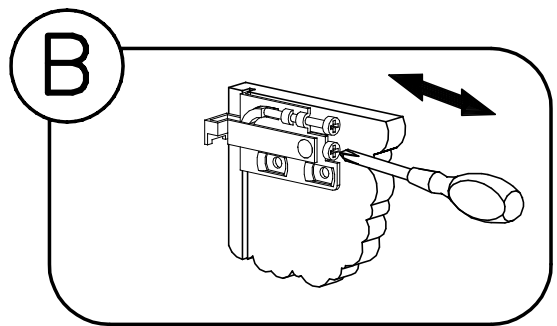
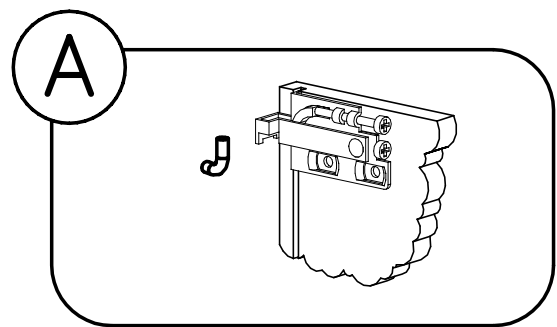
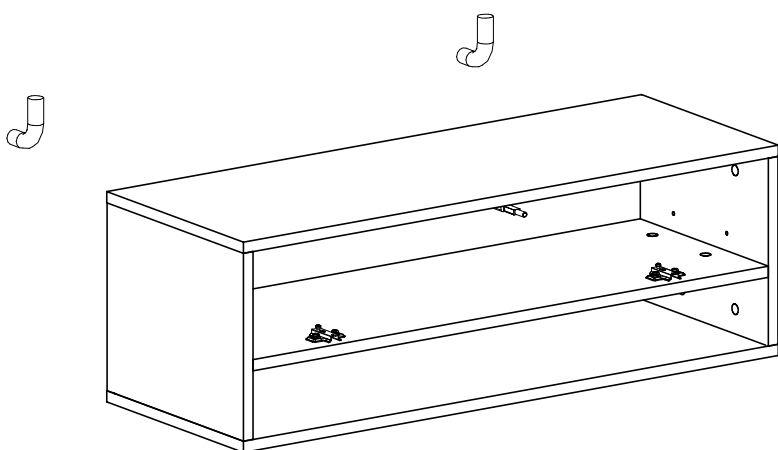


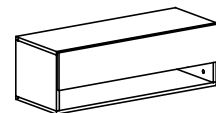


IX

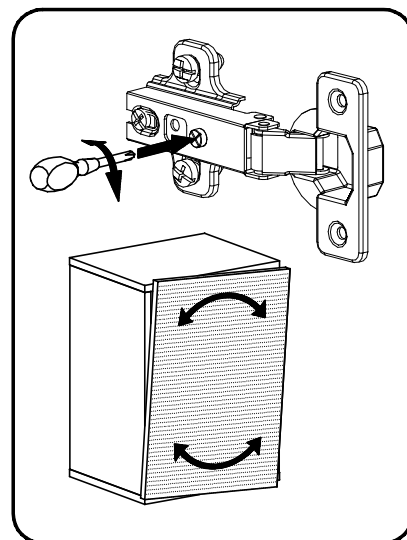
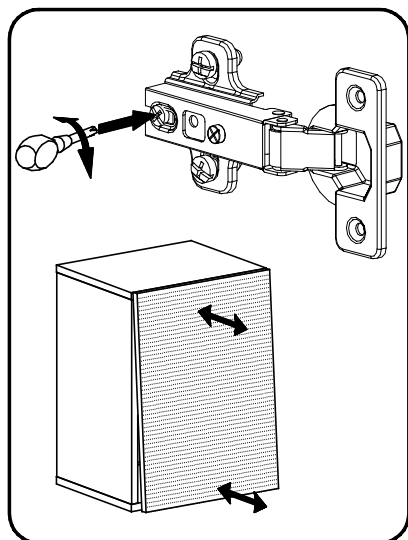
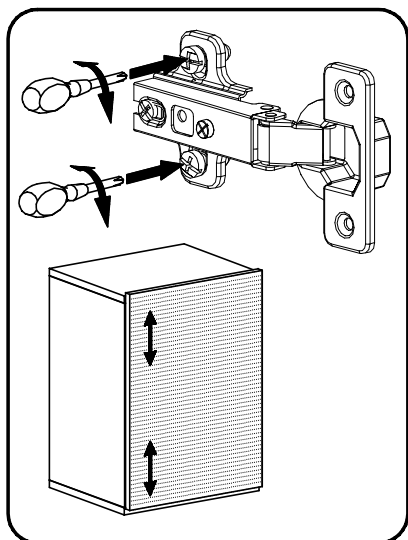
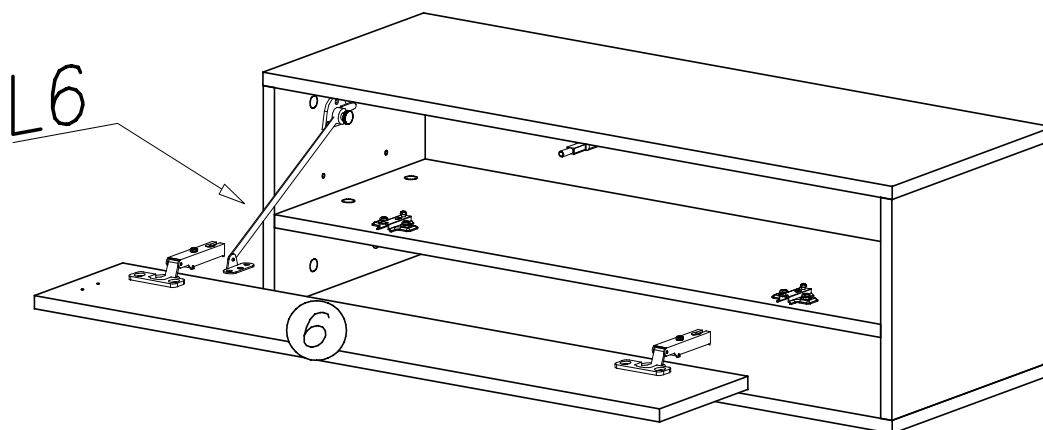
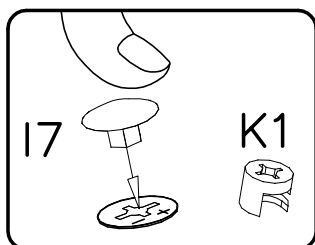
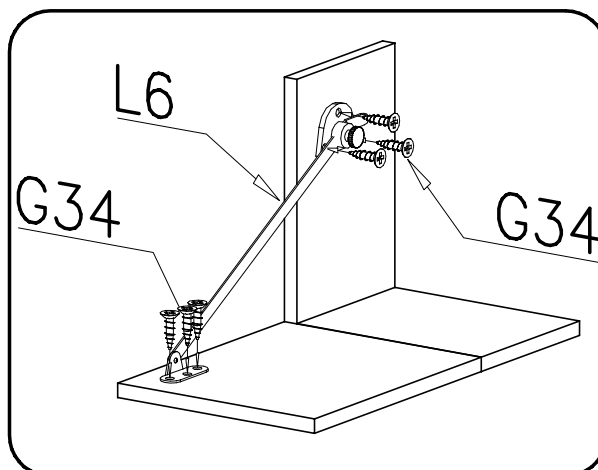
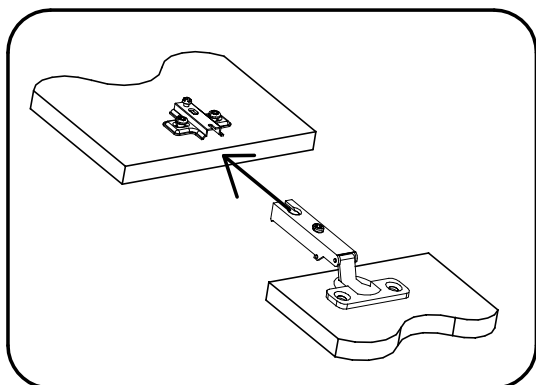


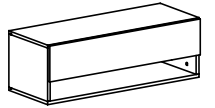
X



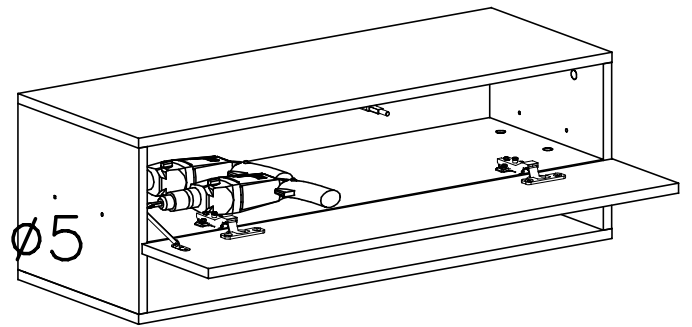
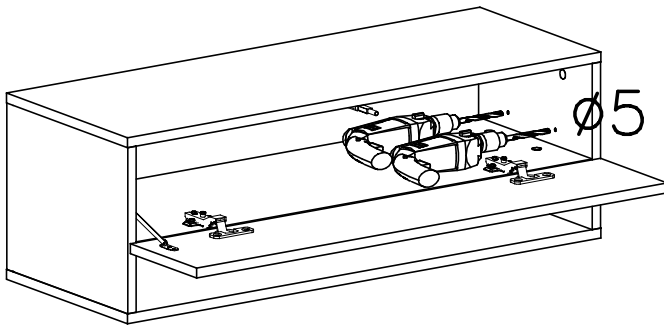
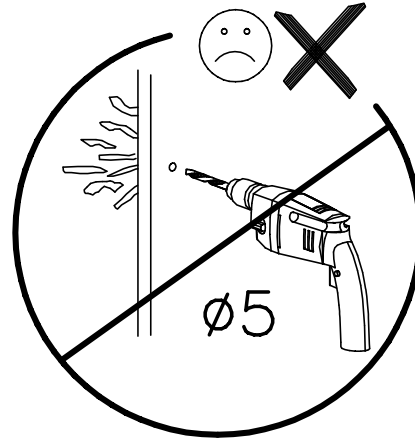
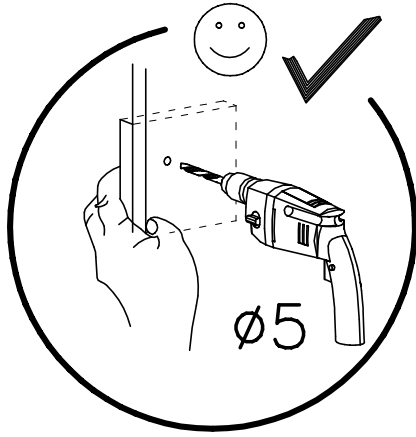


XI

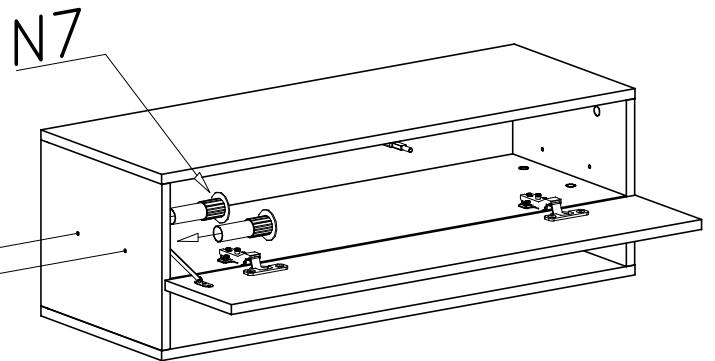
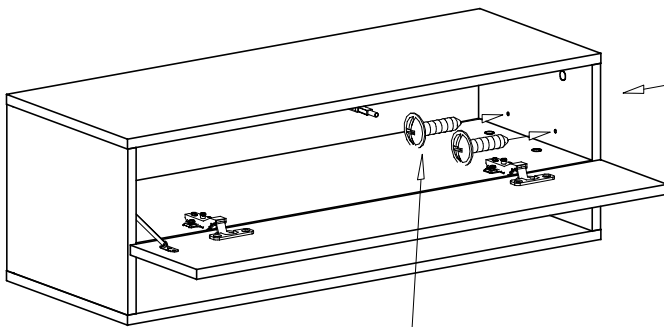




XII



XIII



N7

