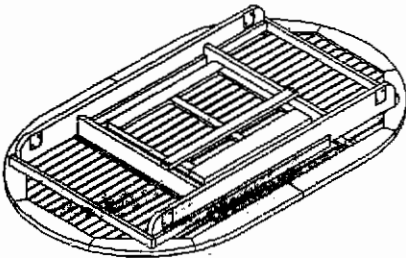


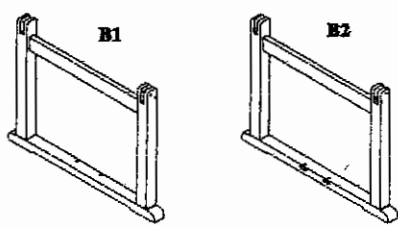






ASSEMBLY INSTRUCTIONS
TEAKWOOD OVAL EXTENSION TABLE (ATF13)

NO.	PARTS.	QTY.	NO.	PARTS.	QTY.
A	TABLE TOP 	1	C	CROSS BAR 	1
			D1	LONG DOWEL 	8 (2 EXTRAS)
B	LEFT END LEG FRAME RIGHT END LEG FRAME 	2	D2	SHORT DOWEL 	4 (2 EXTRAS)
			E	GLUE 	1
			F	BRASS CAP 	1
			G	SANDPAPER 	1

Suggested tools (not included) : Rubber hammer, chisel, fine sandpaper.

NOTE : Place the bevelled end of the dowel into the pre drilled holes. Use a rubber hammer to gently tap into the pre drilled holes.

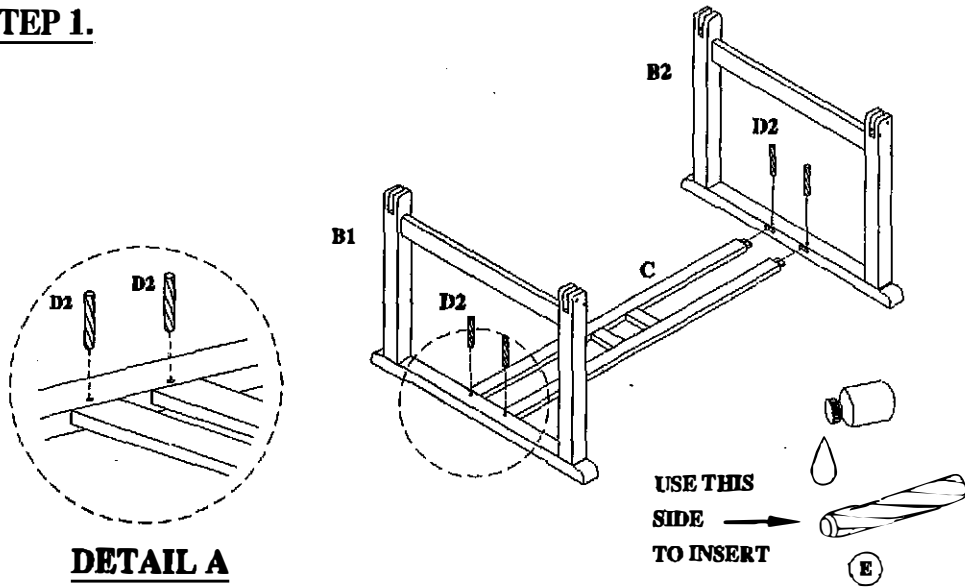
ASSEMBLY INSTRUCTION :

1. Place your table top (A) upside down on a non-abrasive surface while assembling to avoid scratching the wood. Fit cross bar (C) to left end leg frame (B1) and right end leg frame (B2). Insert short dowel (D2) into each hole of frame B1 and B2.
2. Place cross bar and leg frame to table top.
3. Insert long dowels (D1) into the holes to lock tenons. Dip the tip of the wooden dowel into the glue (E) before inserting into the holes. Tap in dowels with a rubber hammer. Cut the wooden dowel that is left over the depth of the hole with chisel and smooth with sandpaper.
- 4,5,6. Turn over the table. Pull table ends apart to extend table.
- 7,8,9. Pull the middle leaf extension inside out and push the ends of the leaf together.
10. Place brass cap (F) into the brass cap hole.

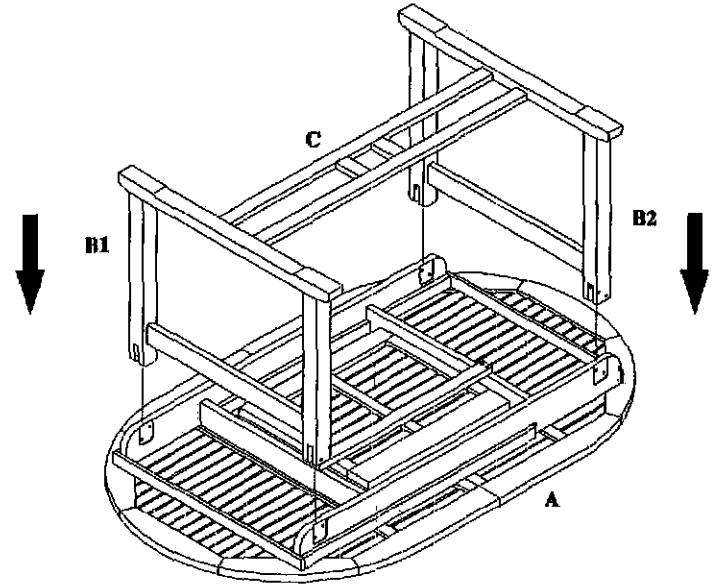
Due to wood's natural characteristics, small imperfections, wood colour and grain variations may be present. This is symbol of the originality of each unit and gives each finished piece a distinctive look and inherent charm.

ASSEMBLY INSTRUCTIONS
TEAKWOOD OVAL EXTENSION TABLE (ATF13)

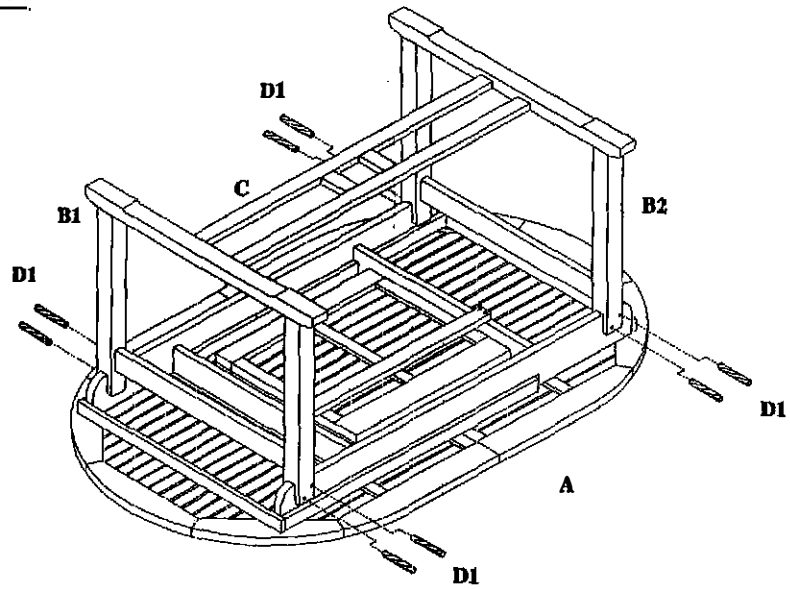
STEP 1.



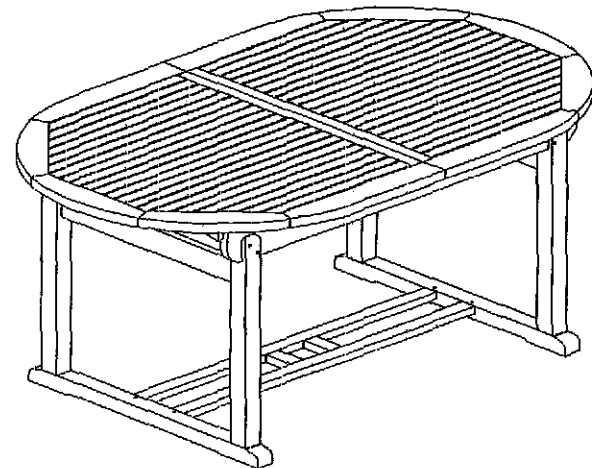
STEP 2.



STEP 3.

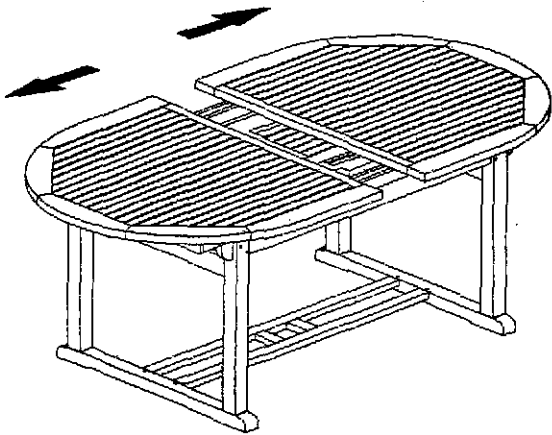


STEP 4.

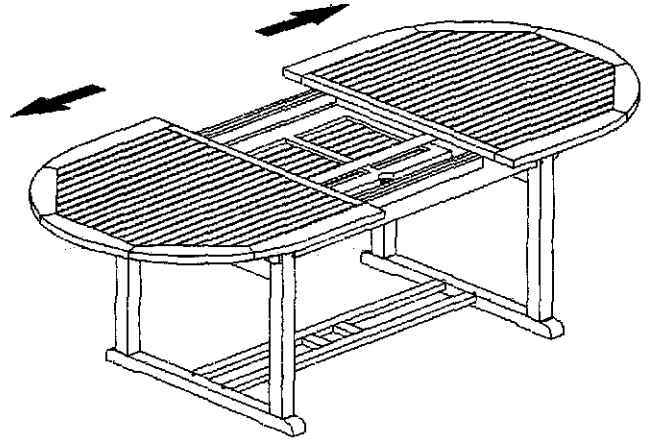


ASSEMBLY INSTRUCTIONS
TEAKWOOD OVAL EXTENSION TABLE (ATF13)

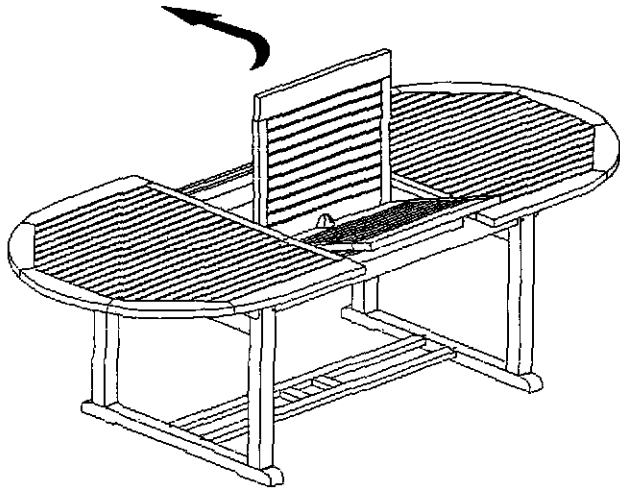
STEP 5.



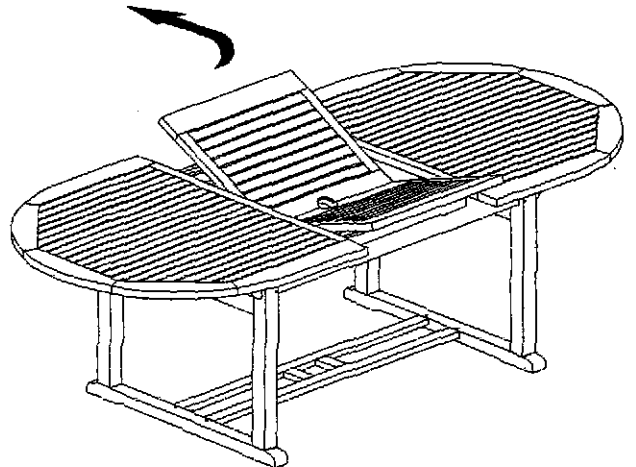
STEP 6.



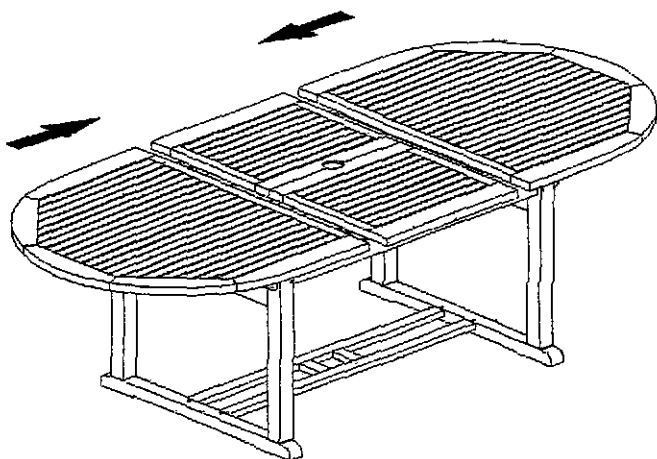
STEP 7.



STEP 8.



STEP 9.



STEP 10.

