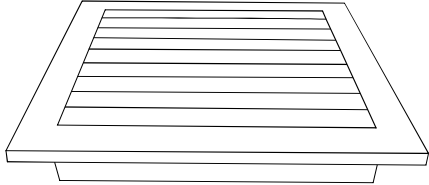

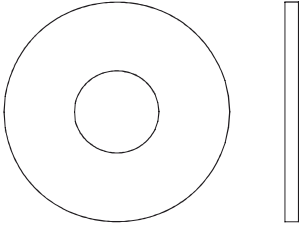
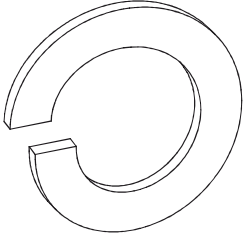
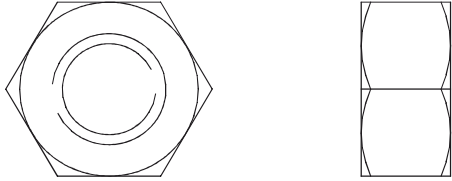
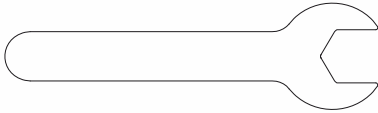


Assembly Instructions

Please read this before you proceed

NUMBER	COMPONENT	QUANTITY
G	 Side table top	1pc
H	 Table legs	4pcs
L	 M8 shim	8pcs
M	 M8 shim	8pcs
N	 M8 nut	8pcs
P	 M13 Spanner	1pc

Assembly Instructions

Please read this before you proceed

①

G x 1

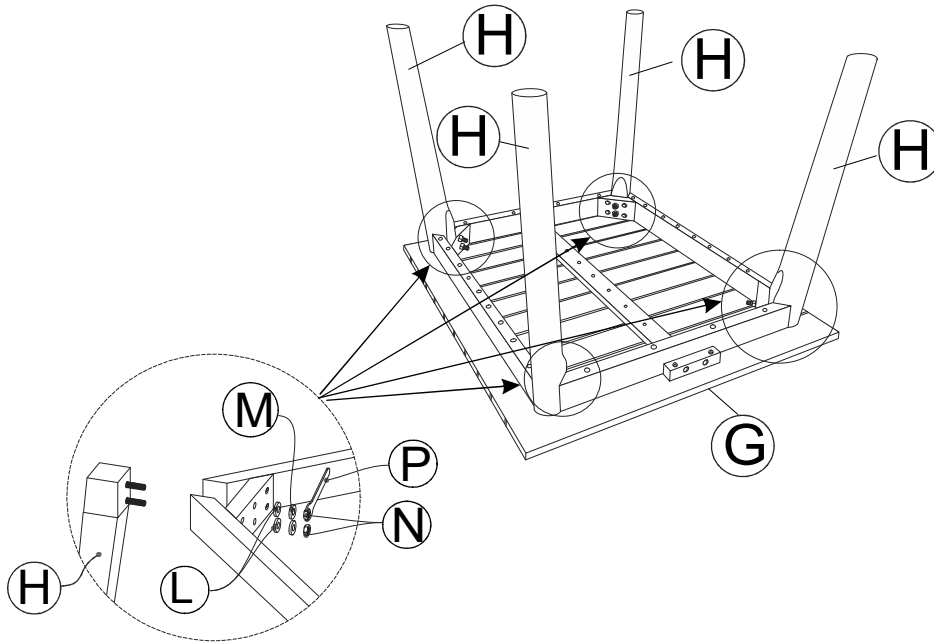
H x 4

L x 8

M x 8

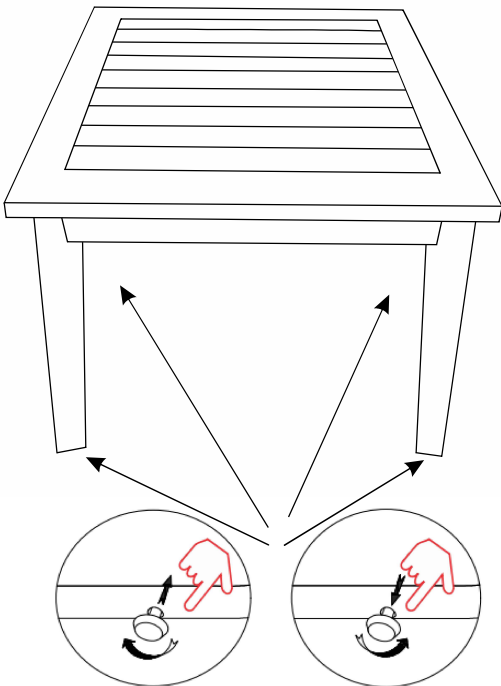
N x 8

P x 1



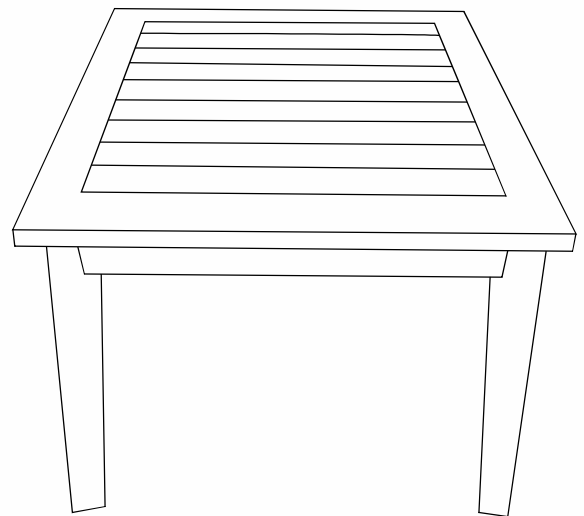
Use the Spanner (P), shim (L), shim (M), nut (N) to connect the part (H), and part (G).
This process requires two operations.
Note: only tighten 80%

②



Adjust this position up or down

③



Finish