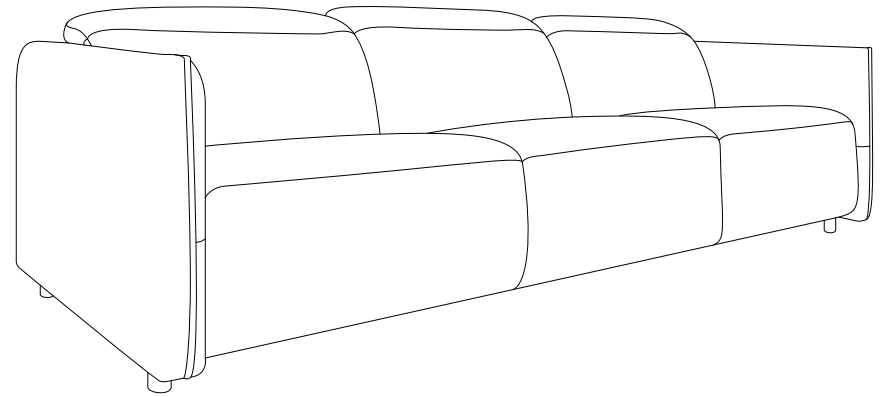


DOUG LEATHER RECLINING SOFA

SFV2412A

Assembly Instructions



Need help?

Feel free to contact us via emails or call
if you have any specific question!

Contact us:

cs@safavieh.com
866-422-9070

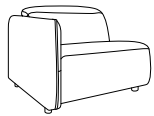
SAFAVIEH
C O U T U R E

Thanks for bringing Safavieh Couture into your home

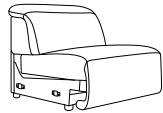
Everything we make is incredibly simple to set up, including your new sofa. You won't need any additional tools.

Parts List

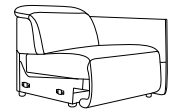
A x 1
LEFT SEAT



B x 1
NA SEAT



C x 1
RIGHT SEAT



D x 12
LEG



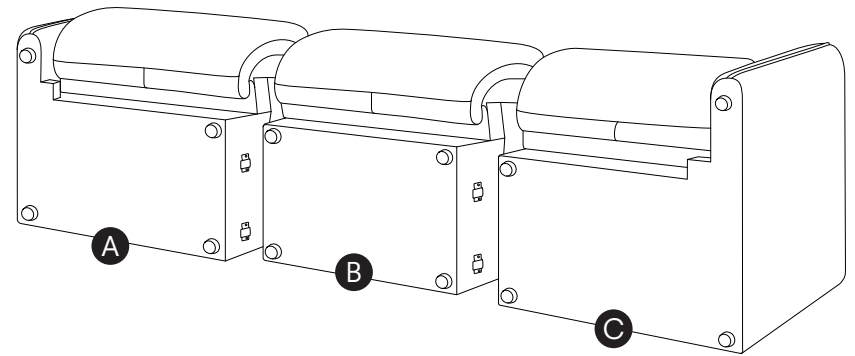
Hardware List

HW1 x 12
Plastic Washer



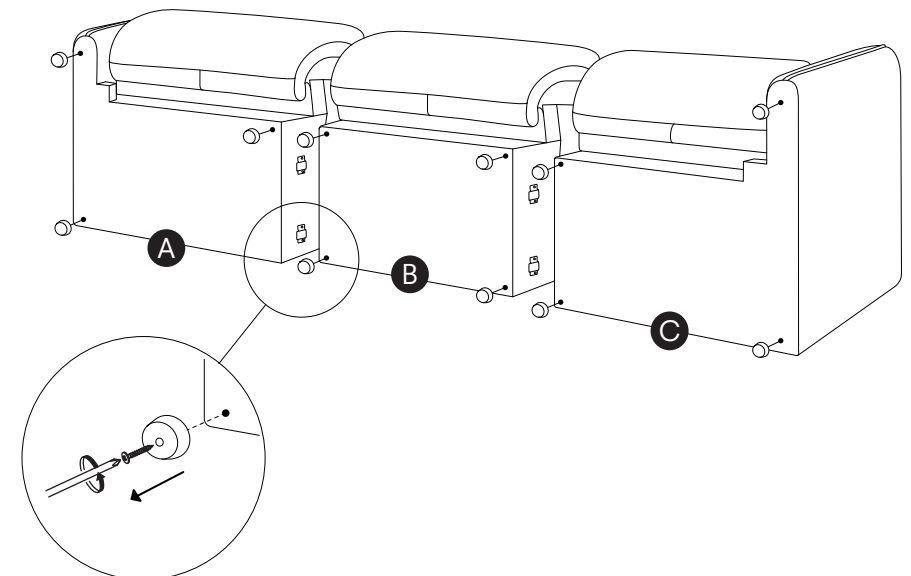
1

Carefully place all Seats (A/B/C) on their back on a soft and non-scratching surface.



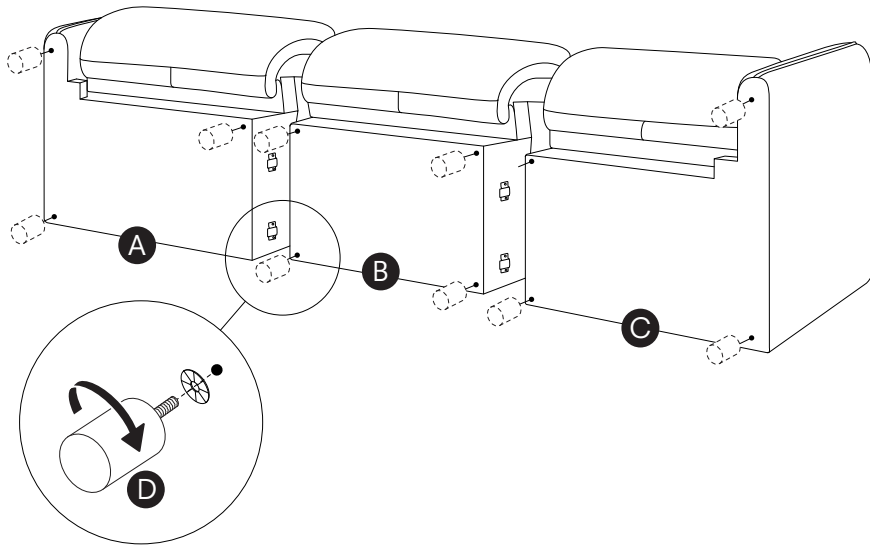
2

Remove the plastic stoppers from bottom of all seats (A/B/C).



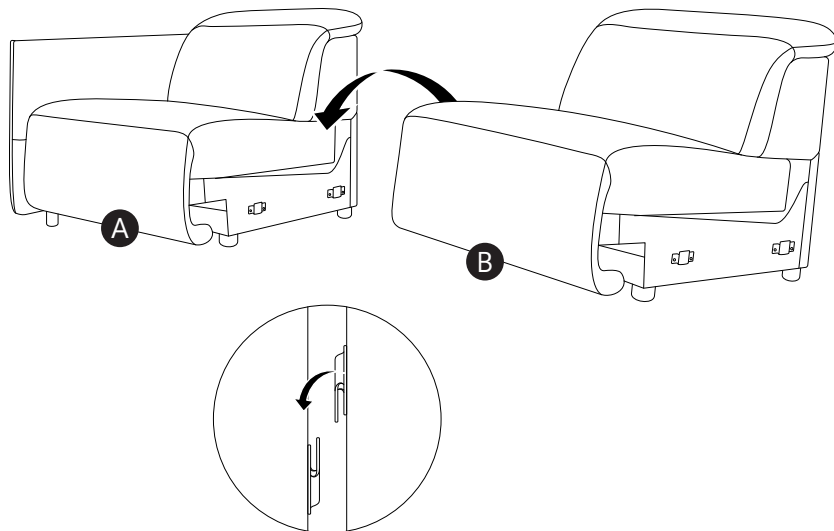
3

Place the Plastic Washer (HW1) on the screws already installed in the Legs (D). Screw the Legs (D) into the 4 corners of the bottom of each of the 3 Seats (A/B/C) in a clockwise direction until they are fully tightened. Do not over tighten.



4

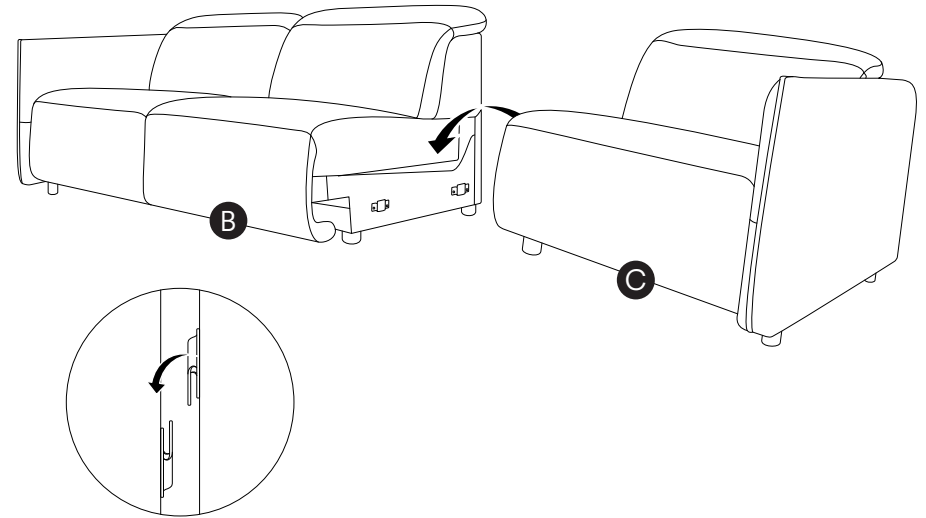
With the assistance of a second person, carefully lift and align the metal plates on NA Seat (B) to the metal plates on the Left Seat (A).



4

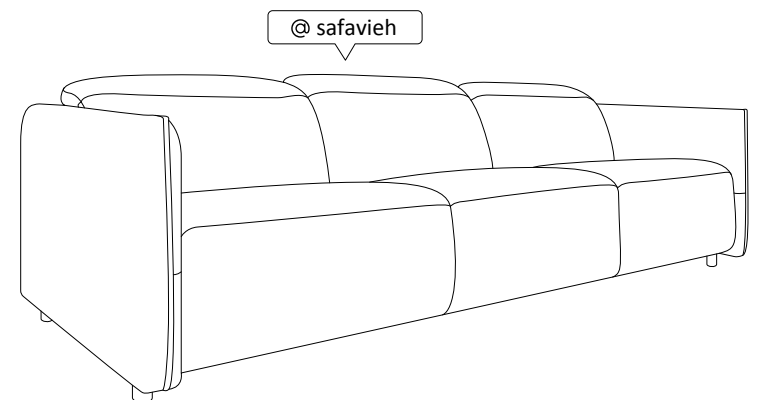
5

Repeat step 4 to connect the Right Seat (C) to the NA Seat (B). Note: Hardware may loosen over time. Periodically check that all connections remain tight and adjust as needed.



6

Place the sofa in the place where you will use it. We'd love to see it – just tag us (we're @safavieh) and use the hashtag #safavieh on Instagram!



5