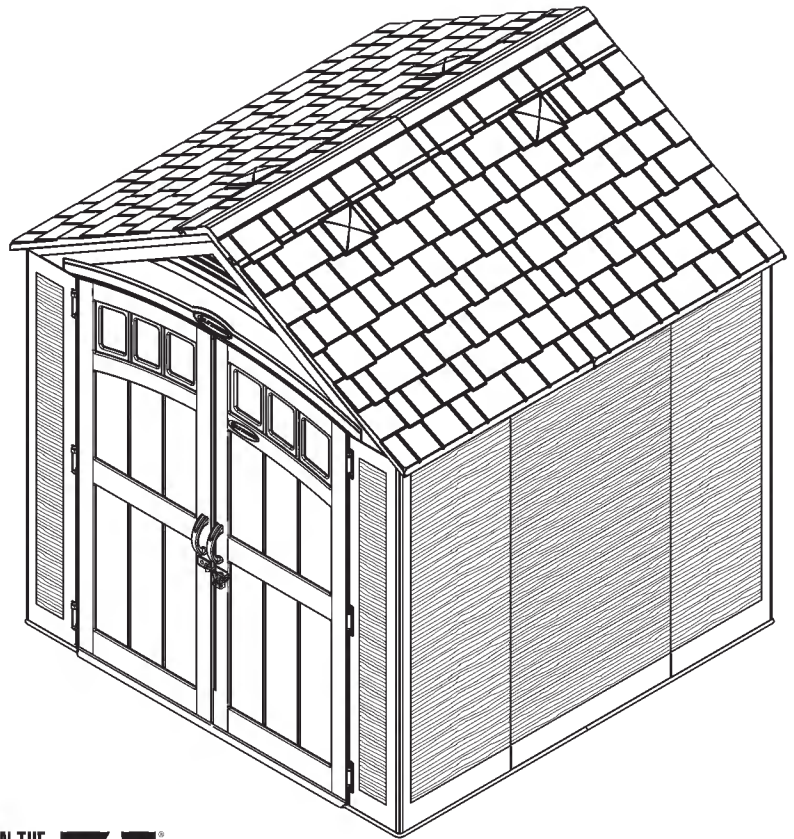
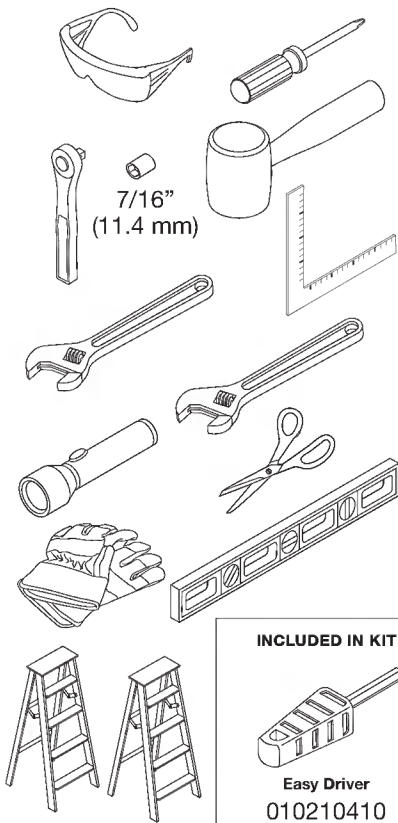


BMS7727 Cloverdale[®] Storage Shed

ASSEMBLY INSTRUCTIONS

Tools Required



MADE IN THE
USA 



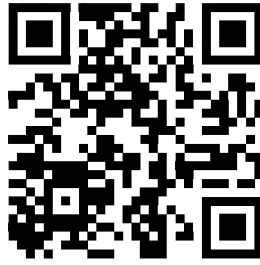
Scan QR Code for product assembly video.

SUNCAST[®]

Built for Everyday Life[™]

Register within 90 days of purchase to activate Warranty!

Registration is not required for products with a warranty term of 90 days or less.



1. Verify warranty term of your product by visiting **[www/suncast.com/warranty](http://www.suncast.com/warranty)** (products with a warranty term of 90 days or less do not require registration)
2. Complete registration: fill out the form and upload a copy of your receipt by visiting **<https://support.suncast.com>** or scanning the QR code

Have Questions?

For product questions, assembly assistance, replacement parts and more:



<https://support.suncast.com>



Suncast Corporation Customer Care
701 N. Kirk Road, Batavia, IL 60510



1-800-846-2345

1-630-381-6309



Before you Begin...

- **Consult your local authorities for any permits required to construct shed.** Prior to the construction of your shed, check with the local building code official to review any required permits or building limitations.
- **A level and sturdy foundation is required before shed construction can begin.** Site preparation information is available later in this manual. A foundation that differs from the specifications within this manual could prevent proper assembly and may damage parts.
- **Read instructions thoroughly prior to assembly.** This kit contains parts that can be damaged if assembled incorrectly or in the wrong sequence.
- **Please follow instructions.** Suncoast is not responsible for replacing parts lost or damaged due to incorrect assembly.



Indicates at least 1 additional adult is needed to complete this step.



Care & Maintenance

- At regular intervals, inspect your shed to make sure that assembly integrity has been maintained. **Repair or replace broken parts immediately.**
- Periodically check that the location you have chosen to set your shed is still level.
- Keep roof clean of snow and leaves.
- To maintain the look of your product, we recommend cleaning it at regular intervals with mild soap and water. **DO NOT** use bleach, ammonia, or other caustic cleaners, and **DO NOT** use stiff bristle brushes. Failure to perform cleaning at regular intervals could result in permanent staining of the plastic. This type of damage is not covered under warranty.



Assembly Day Tips

- **DO NOT** attempt to assemble on a day with strong winds.
- Set aside appropriate amount of time to completely assemble shed. An incomplete shed assembly may pose a safety hazard.
- Make sure you have assistance nearby to lift and secure parts in place.
- **DO NOT** use a torque wrench or hand drill to tighten easy bolts. Use provided easy bolt driver **ONLY**.
- Suncoast provides extra hardware for small fasteners for customer convenience. In some cases, there will be extra small fasteners once the assembly is complete.

Note: *This product contains parts that are used in different orientations to construct the shed. Please take note of the orientation of the parts shown throughout this instruction manual. Failure to follow instructions could result in damage to parts. Suncoast is not responsible for replacing parts lost or damaged due to incorrect assembly.*



Caution

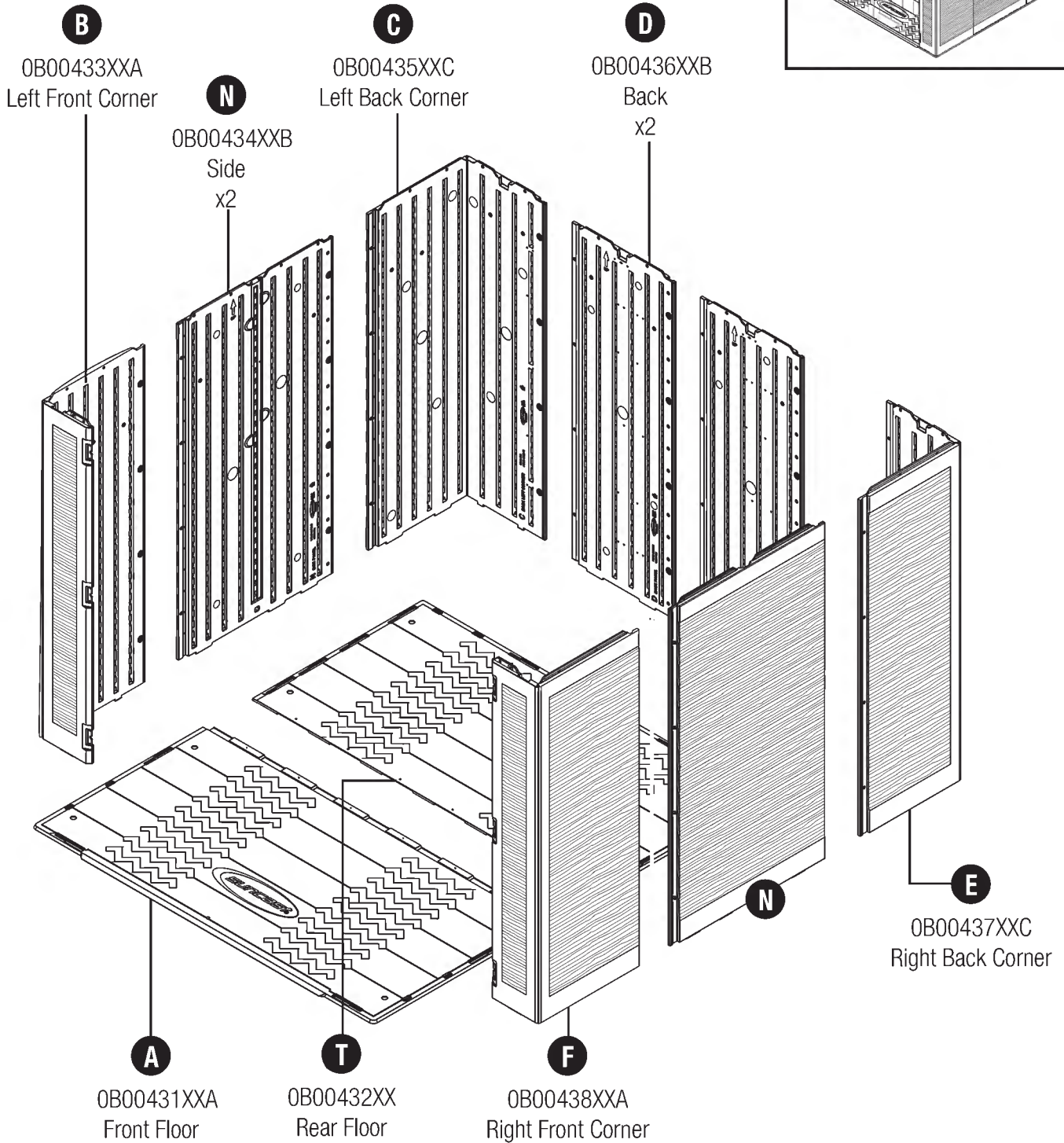
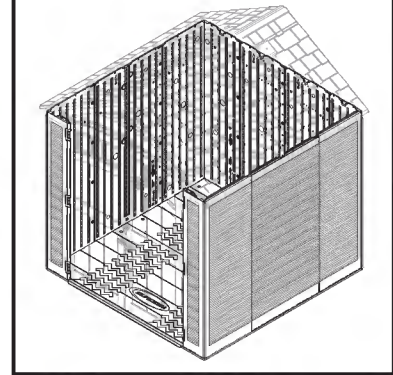
- Proper site preparation is required.
- Shed not intended for storage of flammable, caustic or corrosive materials.
- Shed not intended for habitation or for use by children.
- **DO NOT** stand, sit, or store items on the storage shed roof.
- **DO NOT** place near objects that are hot or can become hot.
- Heavy articles should not be leaned against the walls, as this may cause panel distortion and permanent damage.
- Suncast is not responsible for damage caused by weather or misuse.
- This kit contains parts with sharp edges. Please be careful when handling, use of work gloves is recommended.
- **WHEN DRILLING THROUGH METAL**, beware of burrs, shavings and other sharp edges. Safety glasses are strongly recommended.
- **DO NOT** place in areas near highly reflective surfaces (Note: Low-E windows are more reflective than standard windows and may affect the longevity of the product).
- Product is water resistant and not waterproof. Locate unit away from gutter and down spouts for optimal performance.
- To maintain warranty coverage, the product should be pad-locked with latching devices engaged at all times when not in use. Refer to the end of this manual for padlock specifications.

Parts - Walls and Floors

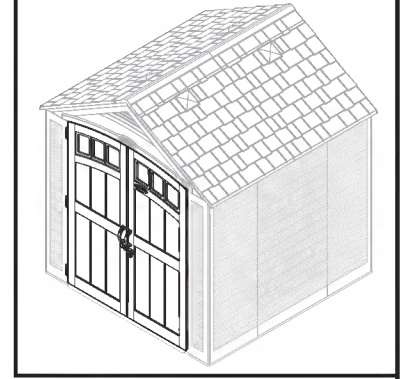
IMPORTANT

OPEN ALL BOXES FIRST AND NEATLY LAYOUT PARTS. SMALL PARTS MAY BE CONTAINED IN EACH BOX. PLEASE REFERENCE THE PARTS LIST WITHIN THIS MANUAL TO VERIFY ALL PARTS ARE PRESENT.

COMPLETE SITE PREPARATION AND FOUNDATION CONSTRUCTION BEFORE UNPACKING ALL PARTS.



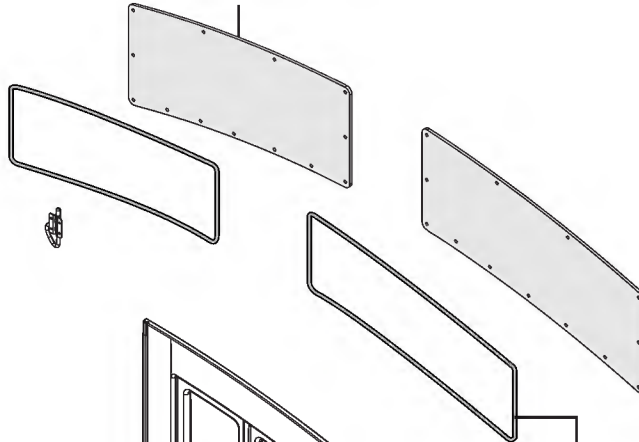
Parts - Doors



J
0B00707XX
Left Door

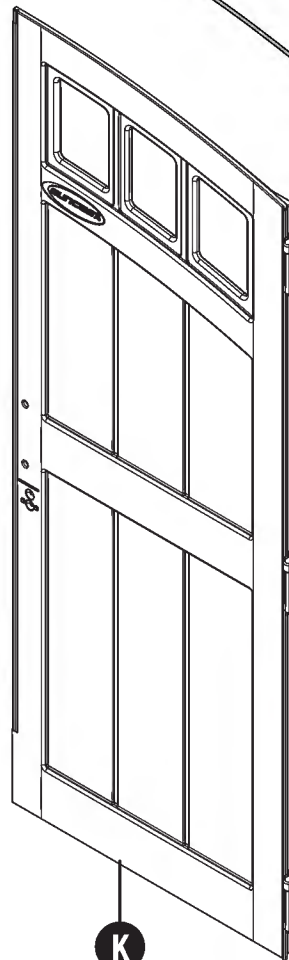


GG
0440760A
Door Window
x2



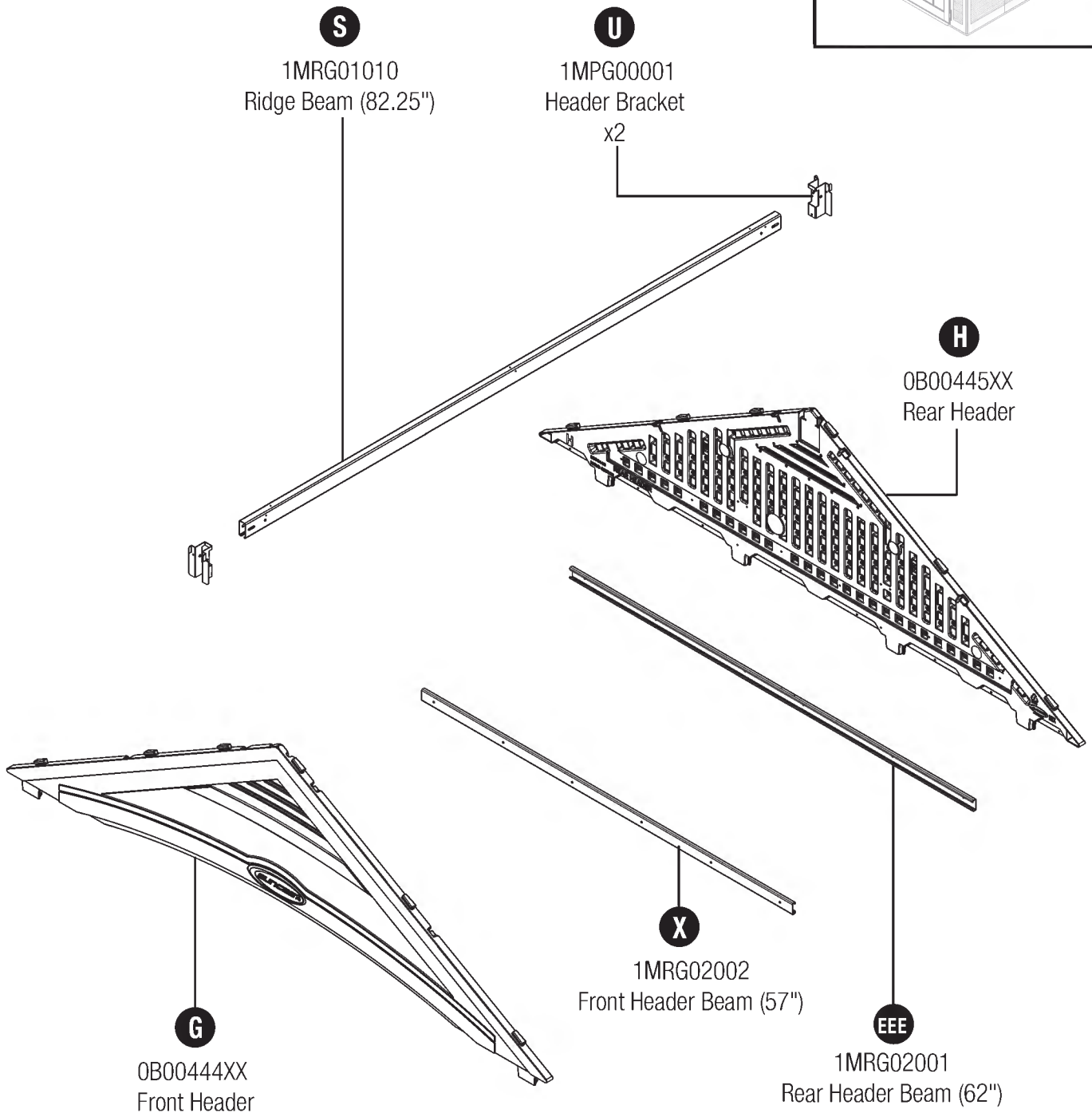
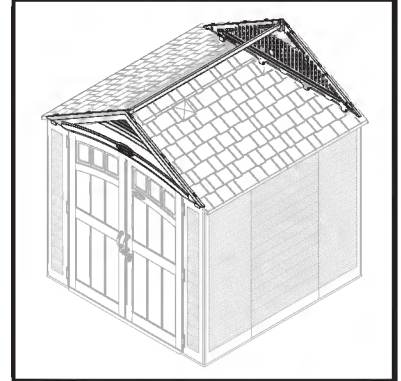
P
0440919
Window gasket
x2

O
0440631
D-ring Slide Bolt
x2

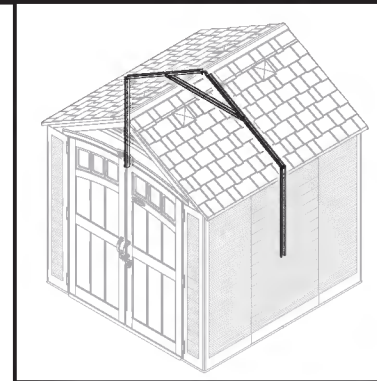


K
0B00706XX
Right Door

Parts - BMS7727 Headers



Parts - Roof Truss



Y

1MRG05004
Truss Leg (45.64")
x2

AA

1MRG09012
L-Bracket (41")
x8

Z

1MPG00003
Truss Bracket

BB

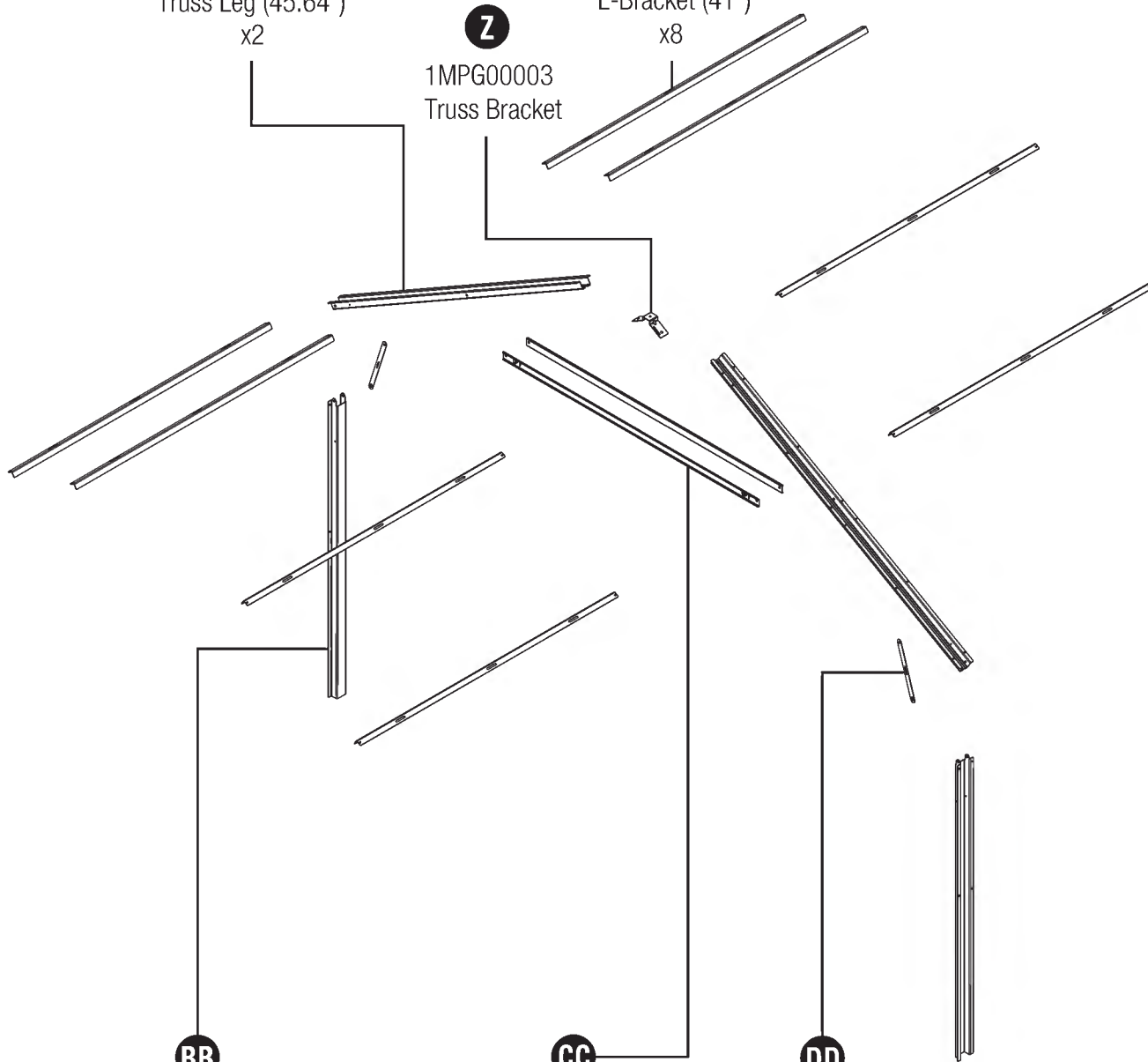
1MRG04002
Side Adapter (40.75")
x2

CC

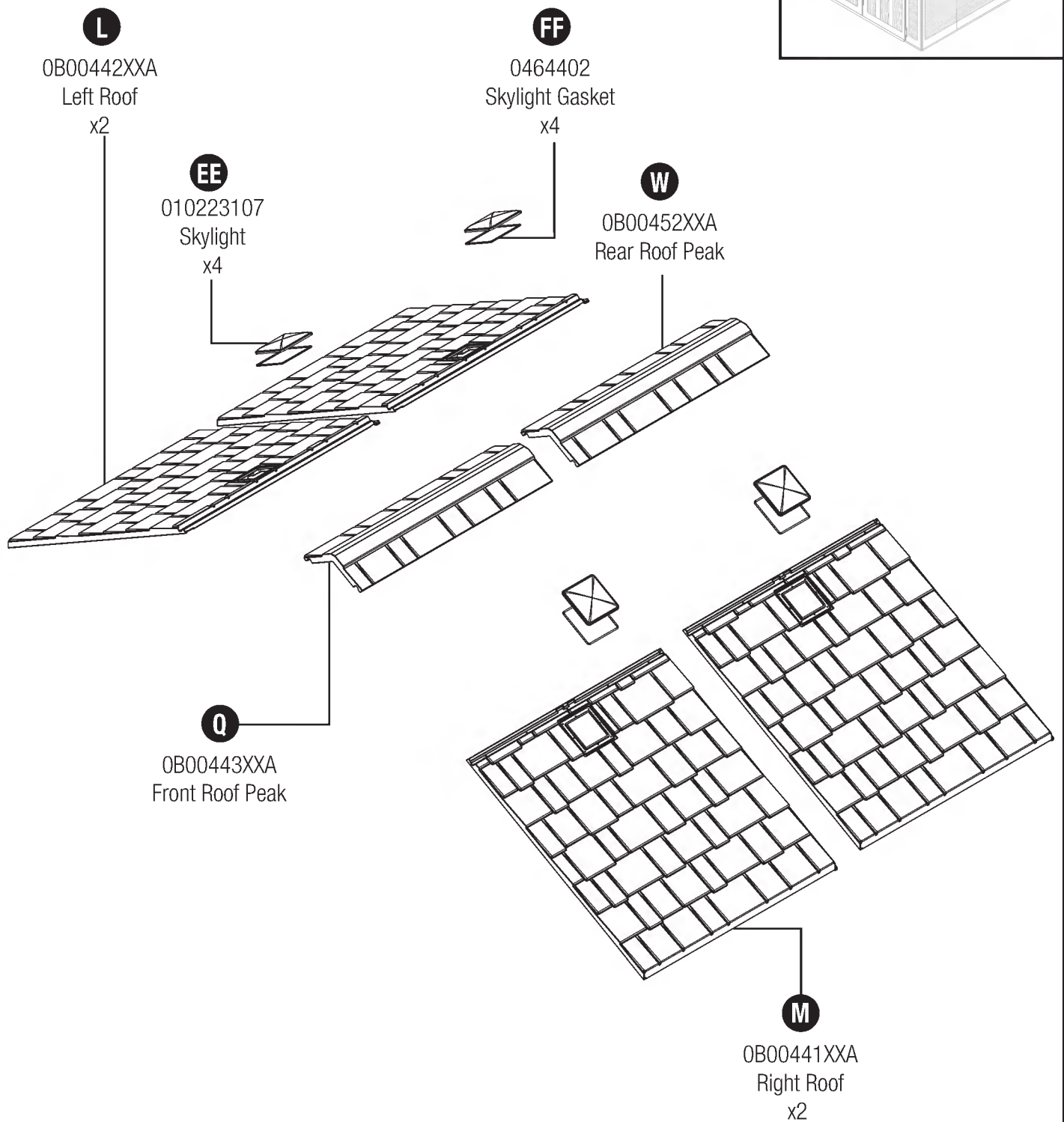
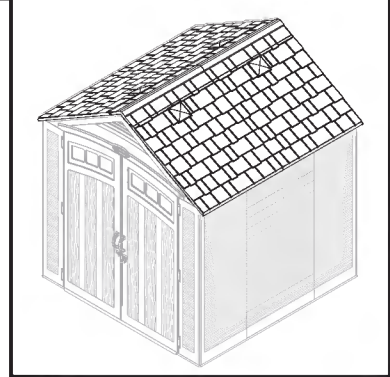
1MRG06001
Truss Cross Beam (40.65")
x2

DD

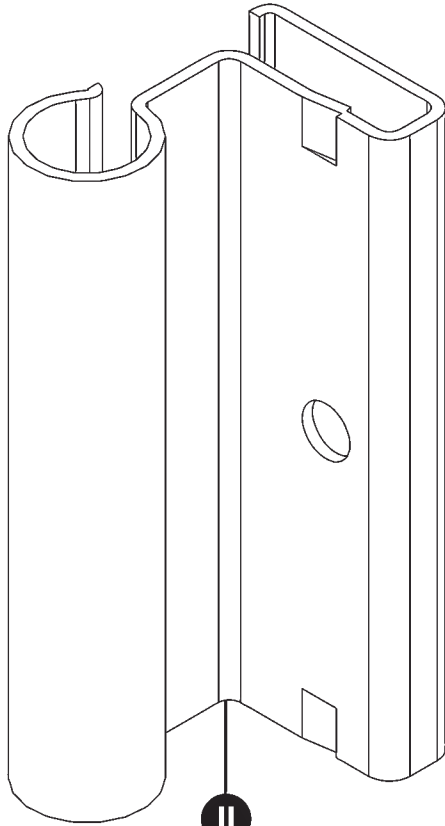
1MPG00004
Truss Strap
x2



Parts - Roof



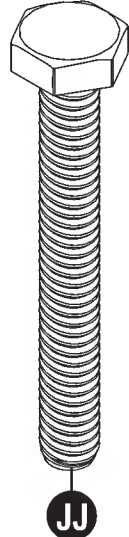
Parts - Hardware



II

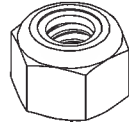
OMP000002
Door Hinge
x6

0480340 -



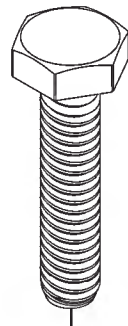
JJ

.25 x 2" Hex bolt
x4



LL

.25" Locking nut
x6



KK

.25 - 20 x 1" Hex bolt
x2

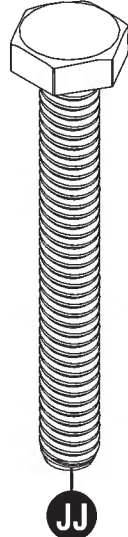
0480375 -
(x2 Bags)



NN

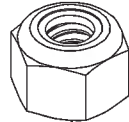
.625" Screw
(105 per bag)

0480374 -



JJ

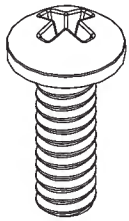
.25" x 2" Hex bolt
x2



LL

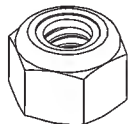
.25" Locking nut
x2

0480337 -



OO

.25 x .75" Screw
x6



PP

.25" Locking nut
x6

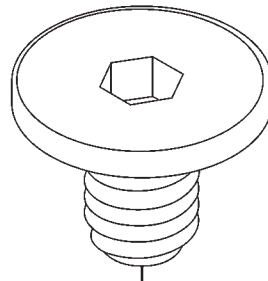
0480452 -



DDD

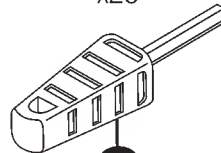
#8 x .625" Screw
x9

0480554 -



RR

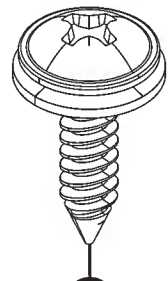
Easy Bolt 7/8"
x28



SS

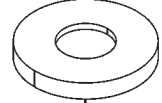
*Easy Driver

0480438 -



TT

#10 x .75" Screw w/ Washer
x22



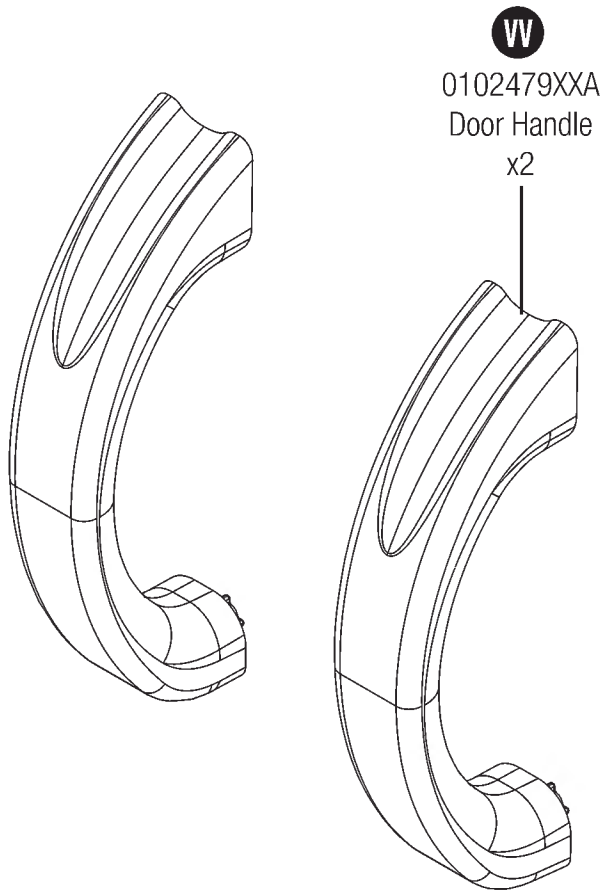
UU

#10 Rubber Sealing Washer
x22

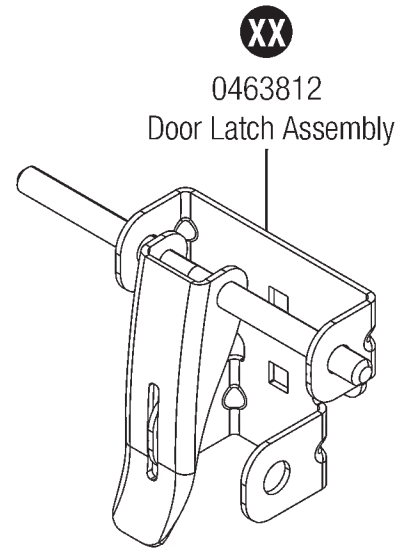
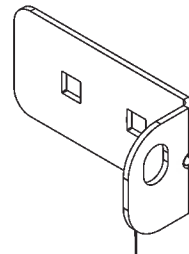
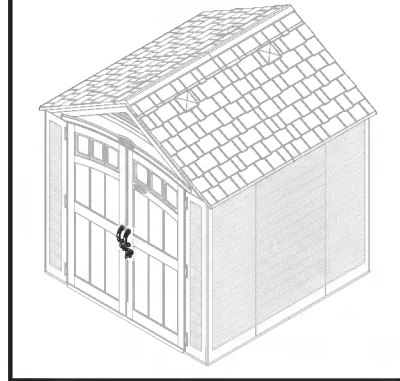
Hardware shown at actual size (*unless otherwise noted). Extra hardware provided. Not all are used.

Parts - Door Handle Kit

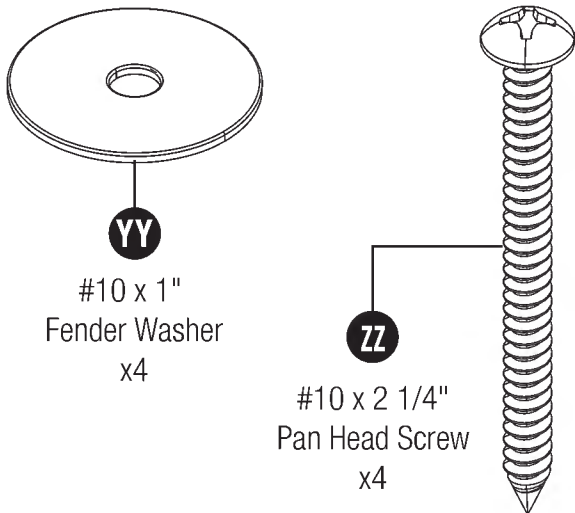
0463795A – Door Handle Kit



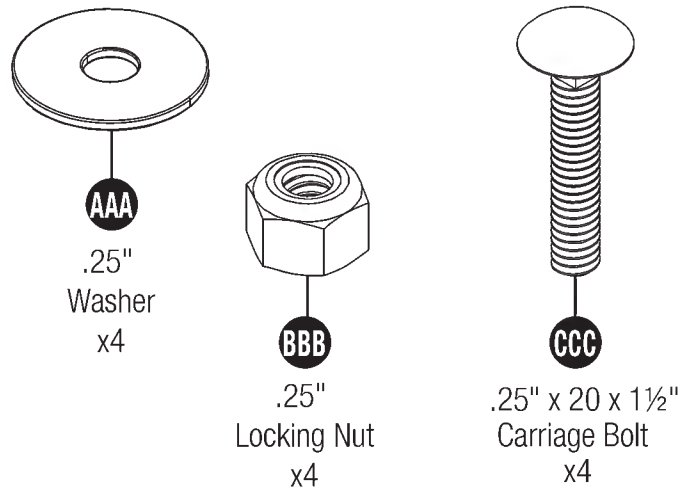
0463797 – Door Latch Kit



0480370 –



0480439A –



Hardware shown at actual size (*unless otherwise noted). Extra hardware provided. Not all are used.

Site Preparation and Platform Construction

Materials **NOT** supplied with Shed Kit

Important:

- Site preparation is required for this shed. Placing the shed on a properly constructed, square, flat and level foundation, as described below, is required. Without a properly constructed, square, flat and level foundation, settling will eventually occur, causing distortion and damage to the shed. Suncoast is not responsible for replacing parts damaged or property lost due to incorrect foundation construction. Warranty requires a properly constructed foundation as described below.
- Complete the site preparation and foundation construction before unpacking parts and beginning assembly. For tips on site preparation, go to www.suncoast.com, consult retailer, or local codes.

Site Preparation

1. Consult your local authorities for building codes and covenants before beginning foundation or erecting shed.
2. Before any digging, check with local utilities to determine location of buried cables, pipes, etc.
3. Decide which type of foundation is most suitable for your installation. **The foundation surface must be square, flat and level.** Follow the below guidelines for foundation options:

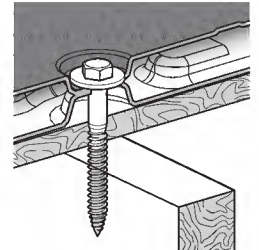
Concrete Slab

- Construct a slab of at least 4" thickness.
- The use of reinforcement bar is recommended.

Wood Platform

- Use exterior grade wood.
- Set the platform on pier blocks or footing.

4. Complete the foundation preparations as follows:
 - A vapor barrier may be applied over the foundation to prevent excessive condensation in the shed. Follow local building codes for a proper vapor barrier.
 - The ground should slope away from the foundation area to provide drainage.



Anchor section example

Anchoring the floor panels to foundation is required after assembly is complete.

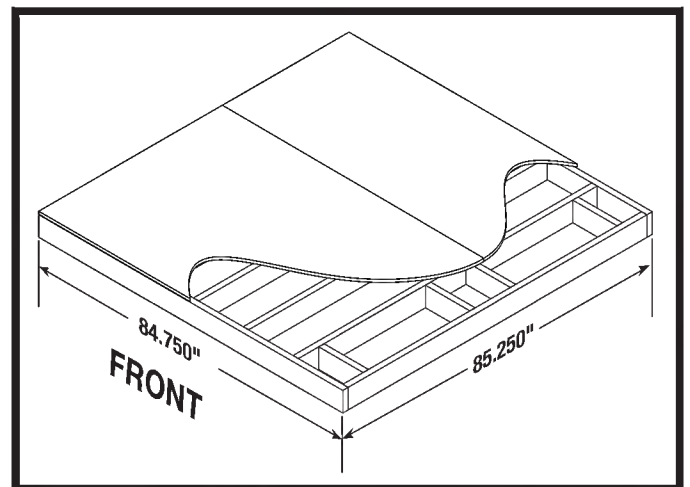
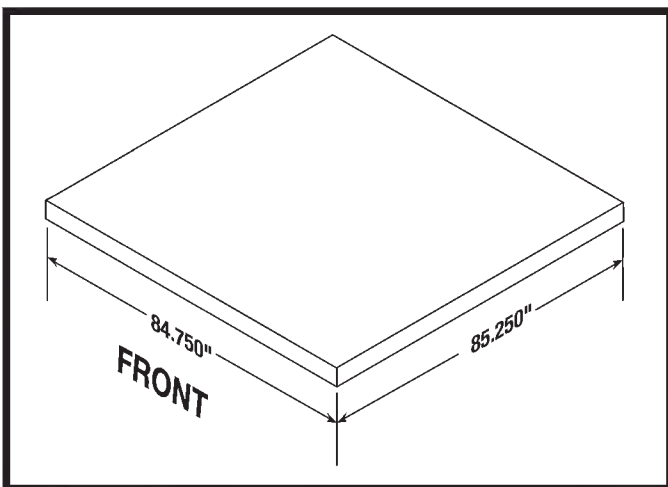
- Shed floor panels include flattened areas where anchors or lag screws are to be secured. These flat areas must be drilled through prior to securing the floor panels to the foundation.

Concrete Slab

- Secure shed to concrete slab using 3/8" masonry anchors with 1" washers. Masonry anchors and 1" washers are available at hardware retailers. **8 anchors are required for this model.**

Wood Platform

- Secure shed to wood platform using 1/4" - 3/8" x 3" lag screws with 1" washers. Lag screws and 1" washers are available at hardware retailers. **8 lag screws are required for this model.**



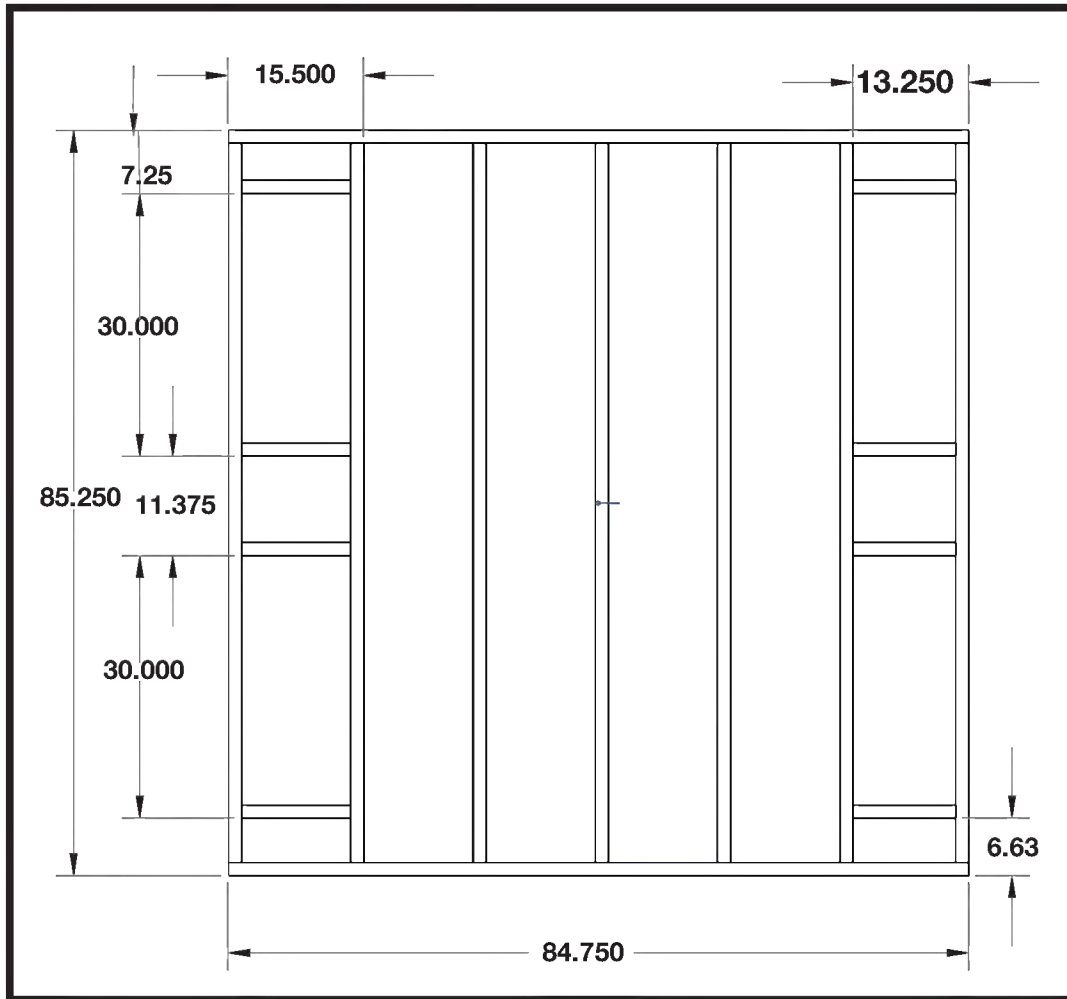
Note: Shed floor fastening locations are designed to align with the under-structure. Be sure the front of the shed is oriented correctly on the platform to ensure lag bolts engage with the under-structure. Check with local building codes to determine location and quantity of pier blocks needed for your foundation.

* Dimensions allow for shed to fit within the nearest 1" on each side.

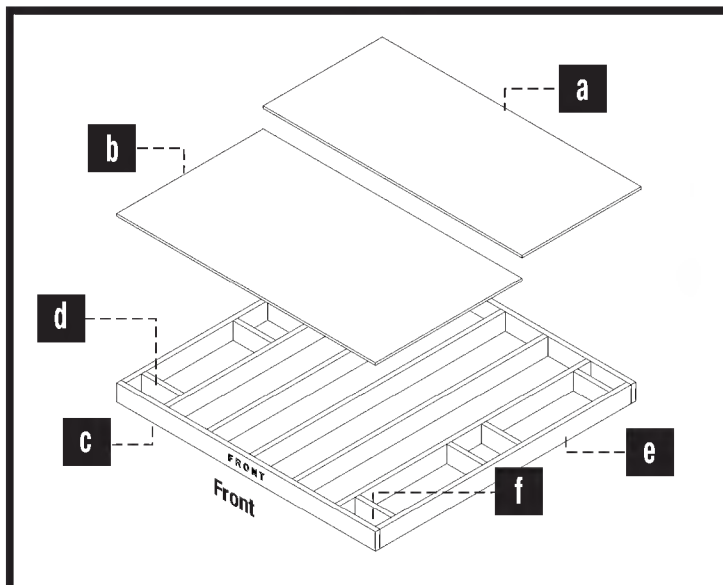
Site Preparation and Platform Construction

Materials **NOT** supplied with Shed Kit

Wood platform critical spacing



- Check all critical spacing measurements.

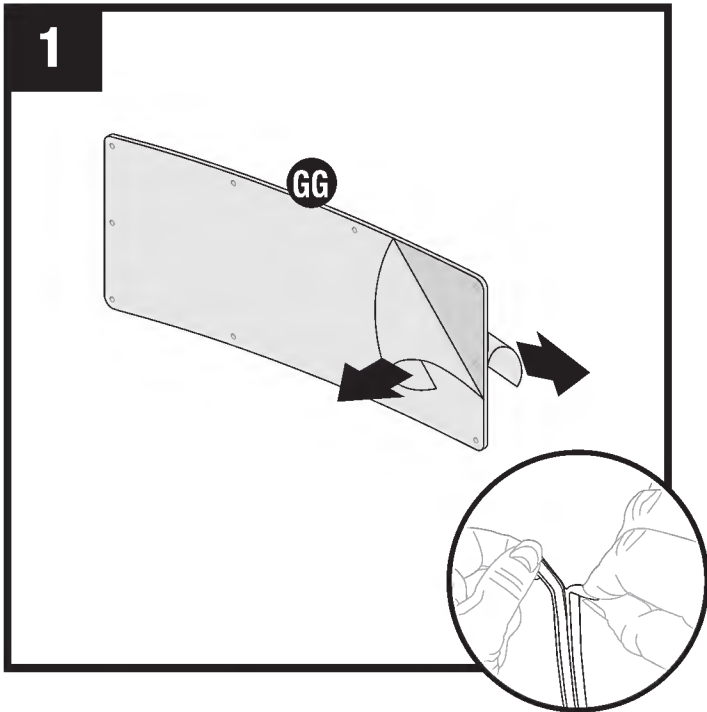


Wood platform materials list

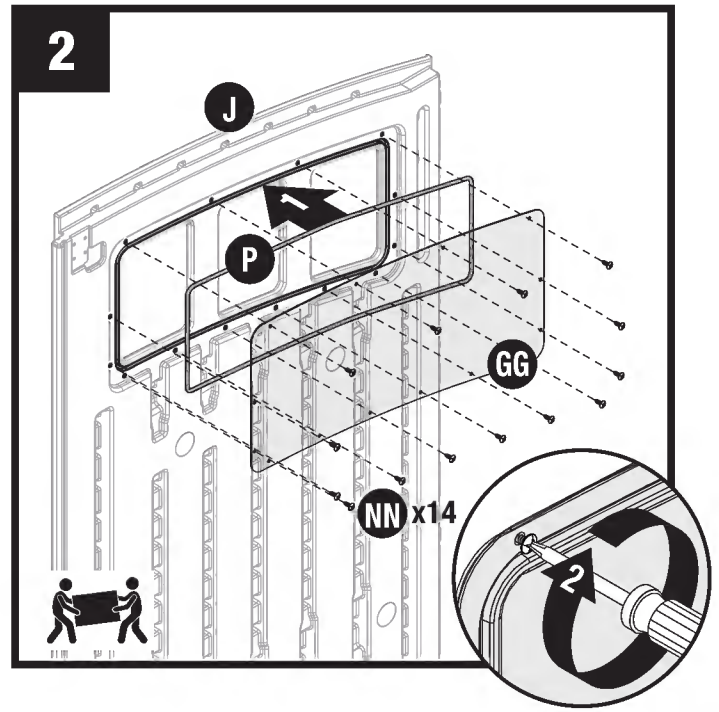
Item	Qty	Size
a	1	37.25" x 84.75" x .75"
b	1	48" x 84.75" x .75"
c	2	2" x 6" x 84.75"
d	4	2" x 6" x 12.5"
e	7	2" x 6" x 82.25"
f	4	2" x 6" x 11.75"

- Please note-dimensional lumber is actually 1/2" smaller than noted sizes.

Pre - Assembly



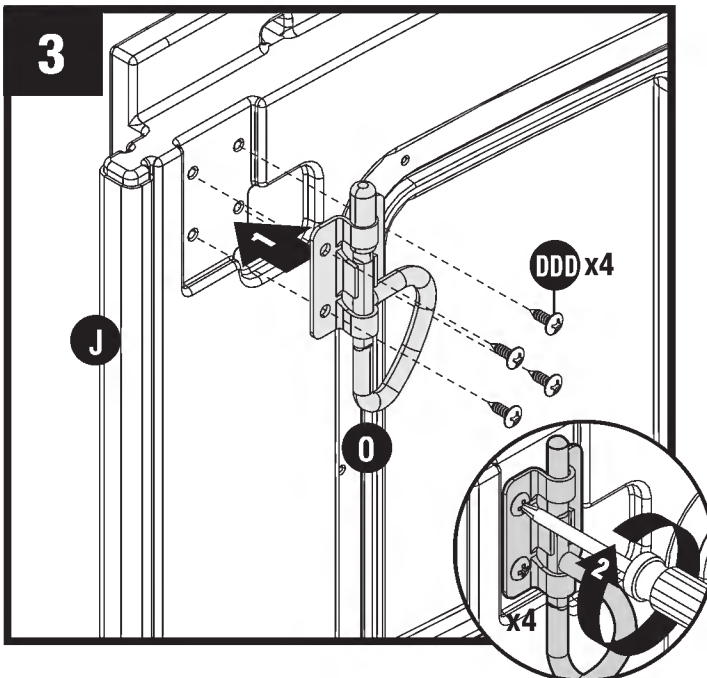
Peel film from both sides of door windows (GG).
Separate the two window gaskets (P) and peel off backing.



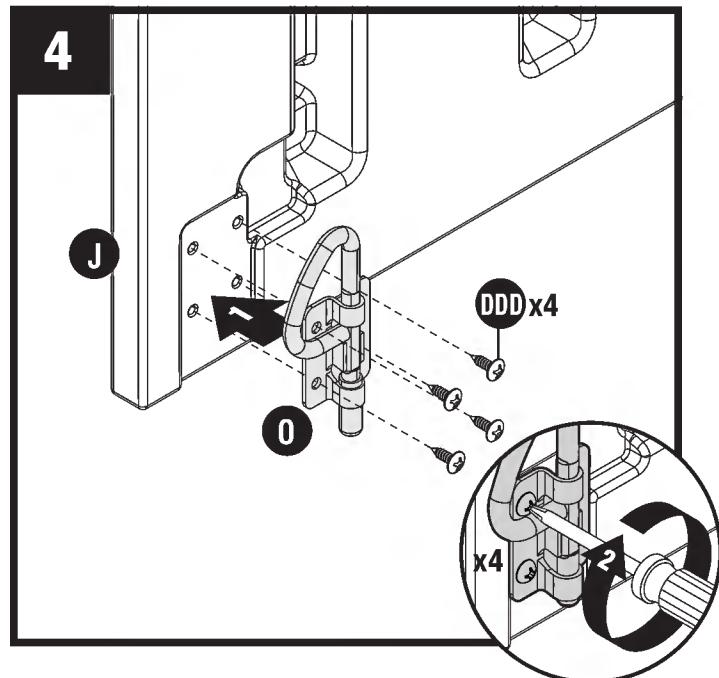
Place gasket (P) and 1 door window (GG) into left door (J) channel. Secure with 13 screws (NN), starting at corners. **DO NOT** over tighten screws.

Note: The cut portion of gasket (F) **MUST** be assembled on top of door channel.

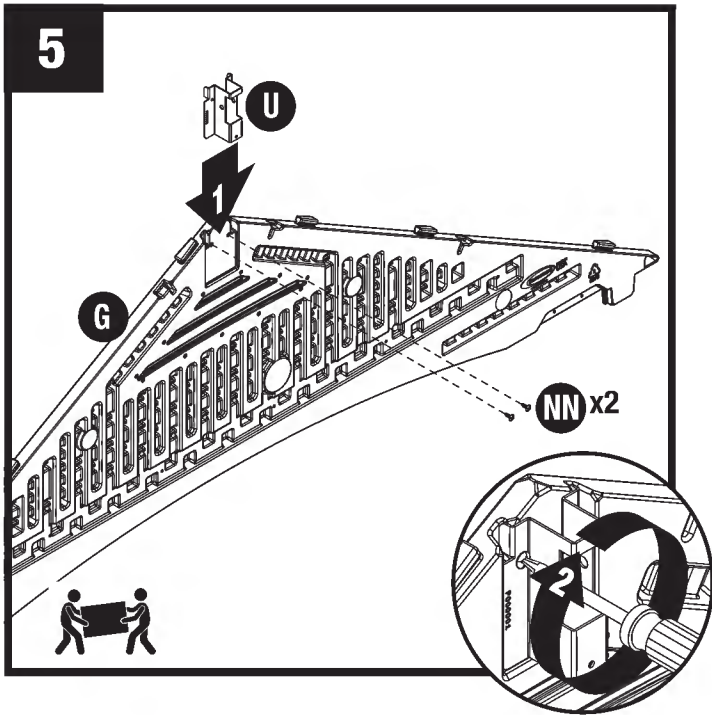
Repeat for right door (K).



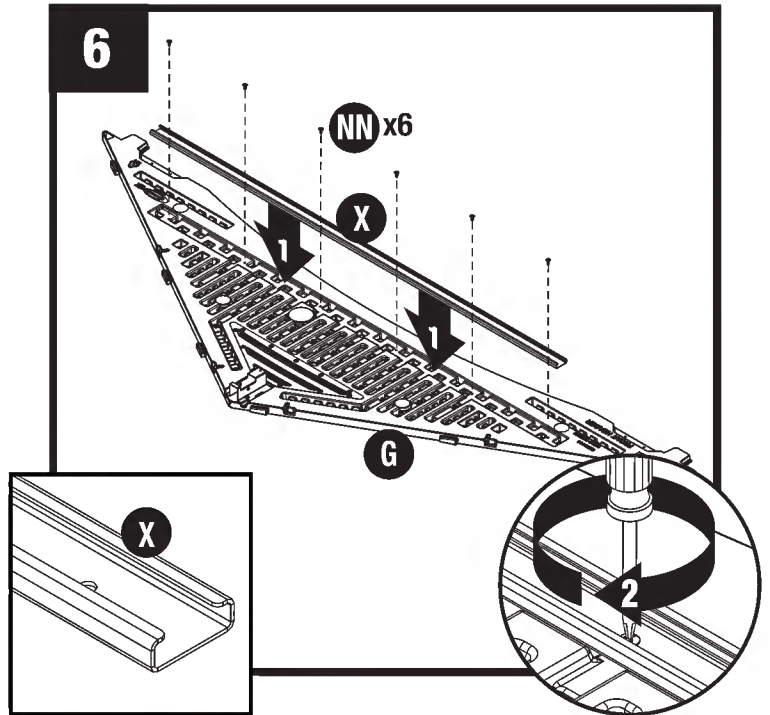
At top interior side of left door (J), attach D-ring slide bolt (O) with 4 screws (DDD).



At bottom interior side of left door (J), attach D-ring slide bolt (O) with 4 screws (DDD).

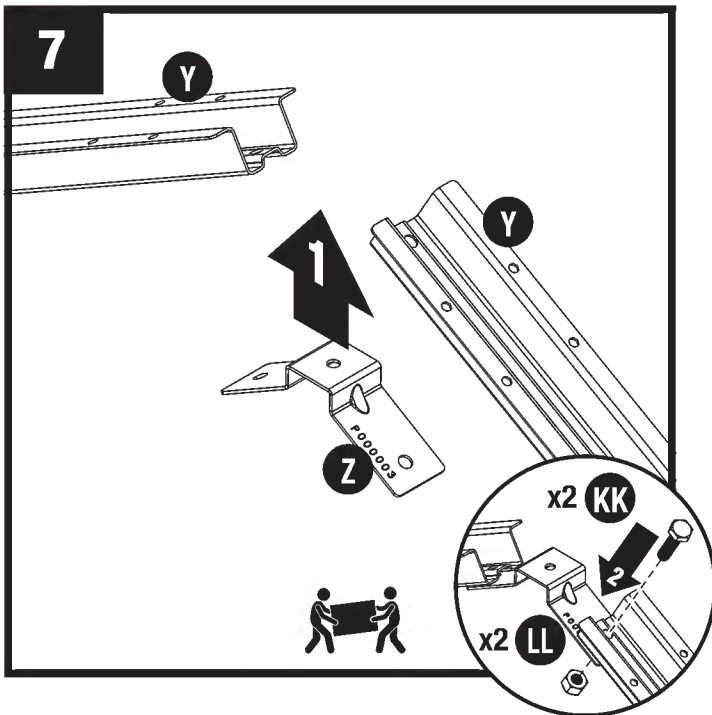


Slide header bracket (U) under tabs on peak of front header (G) and secure with 2 screws (NN). **DO NOT** overtighten screws.

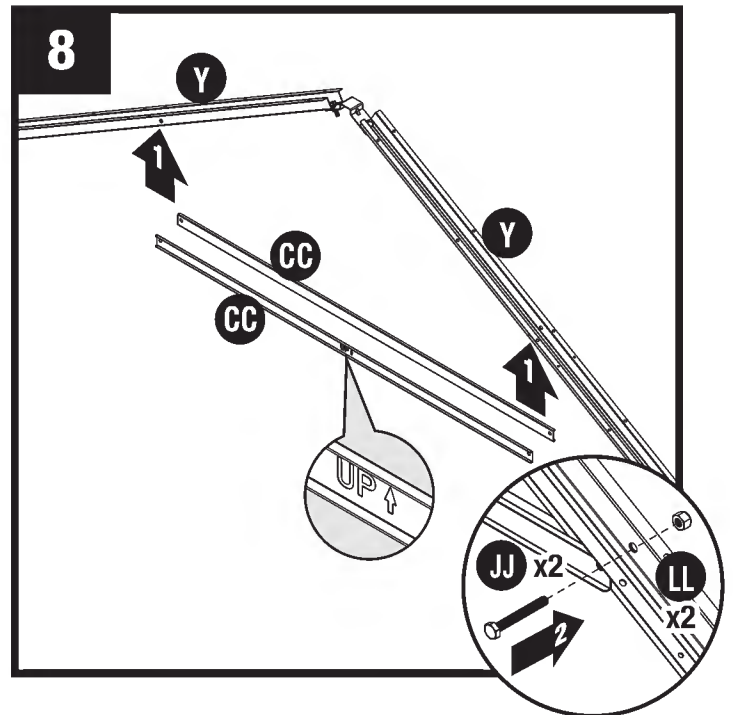


Lay front header (G) as shown. Place front header beam (X, 57") into indicated pocket. Attach with 6 screws (NN). **DO NOT** over tighten screws.

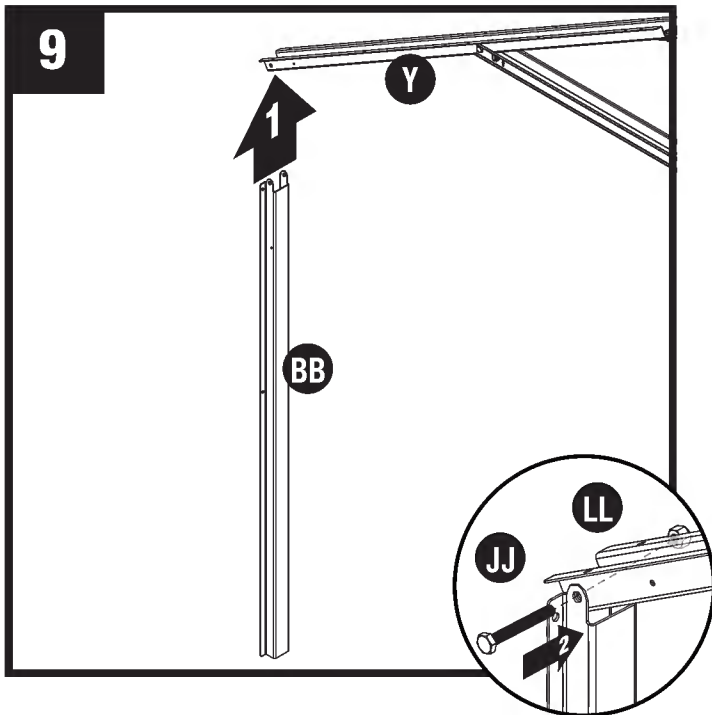
Repeat for rear header (H) and rear header beam (EEE, 62").



Attach truss bracket (Z) to end of 1 truss leg (Y) with 1 hex bolt (KK) and locking nut (LL). Repeat for second truss leg (Y).

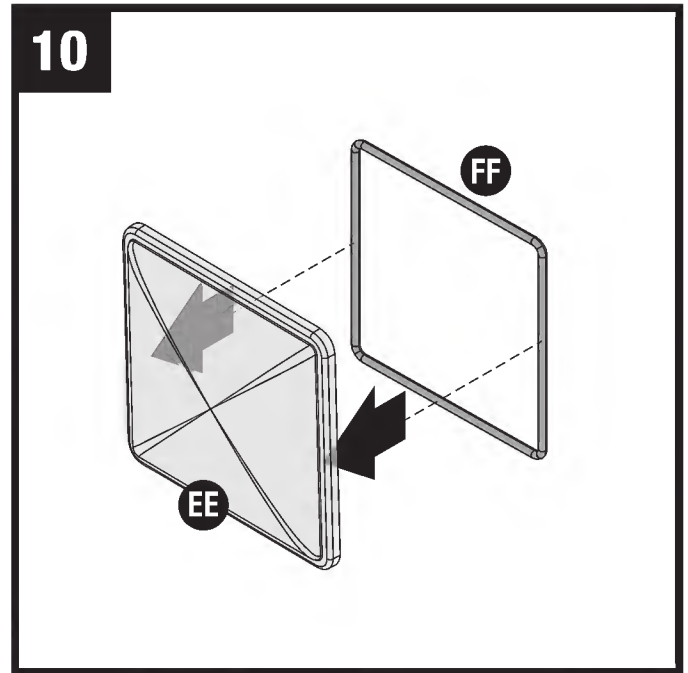


Attach 2 truss cross beams (CC) to truss legs (Y) using 2 hex bolts (JJ) and locking nuts (LL). Stand truss and check cross beam is level.

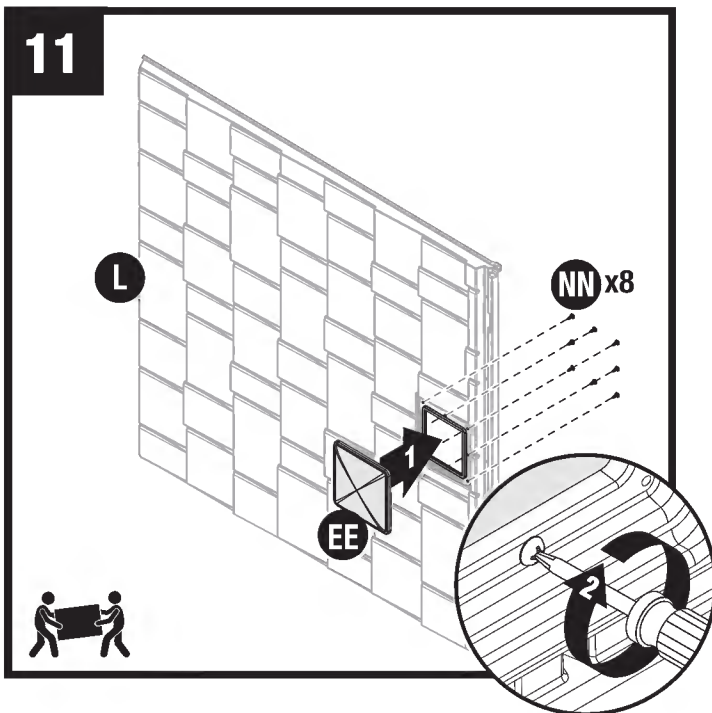


Place side adaptor (BB) at end of left truss leg (Y). Secure adaptor bracket with 1 hex bolt (JJ) and locking nut (LL). Repeat for other truss leg.

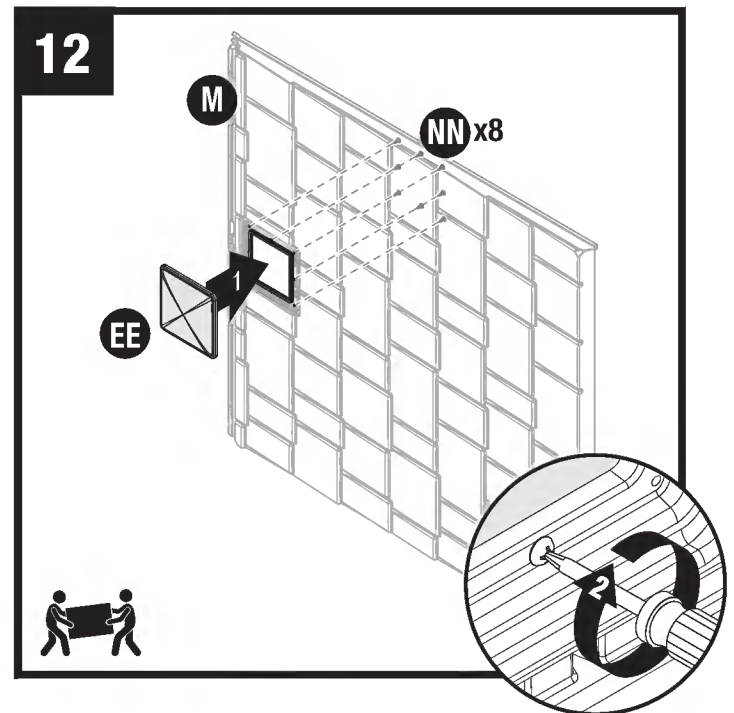
Note: DO NOT overtighten.



Place skylight gasket (FF) into skylight (EE). Repeat for remaining skylights.

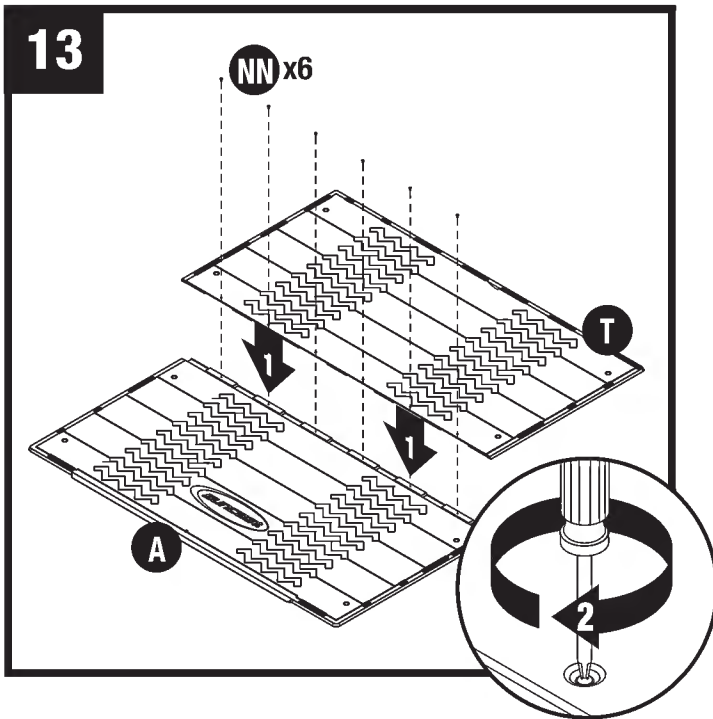


Place skylight (EE) onto left roof (L). Secure from underside with 8 screws (NN). Screw corners in first. Make sure rib on plastic parts is seated fully against gasket on skylight. Repeat for remaining left roof.

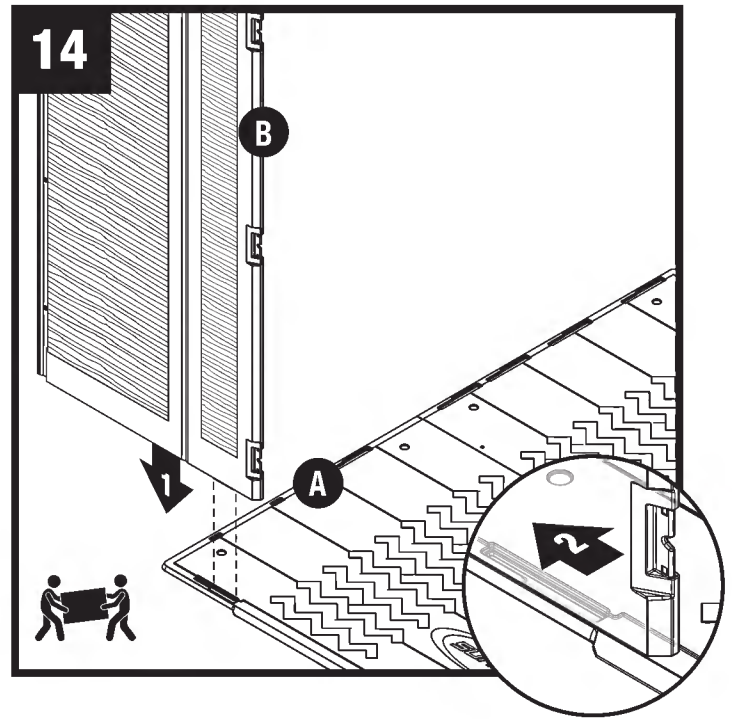


Place skylight (EE) onto right roof (M). Secure from underside with 8 screws (NN). Screw corners in first. Make sure rib on plastic parts is seated fully against gasket on skylight. Repeat for remaining right roof.

Assembly

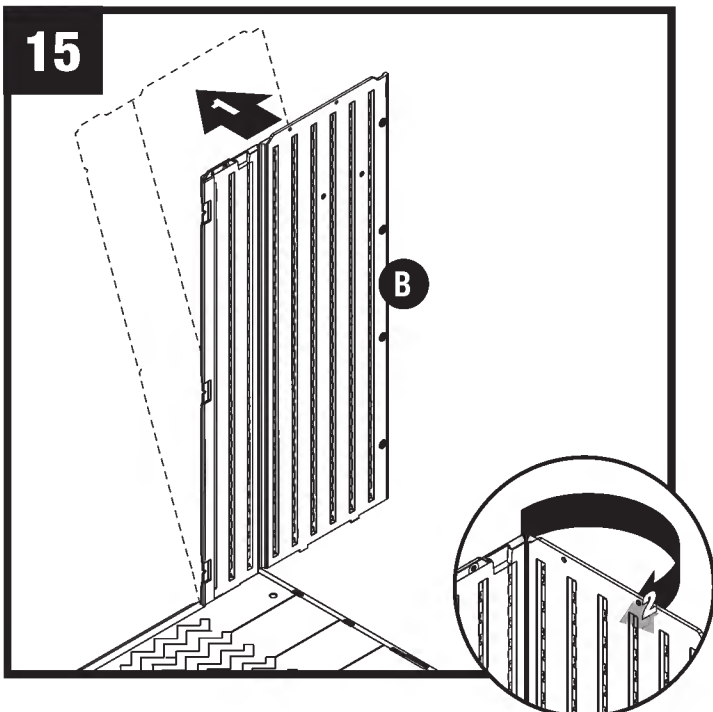


Push front floor (A) and rear floor (T) together and secure with 6 screws (NN).

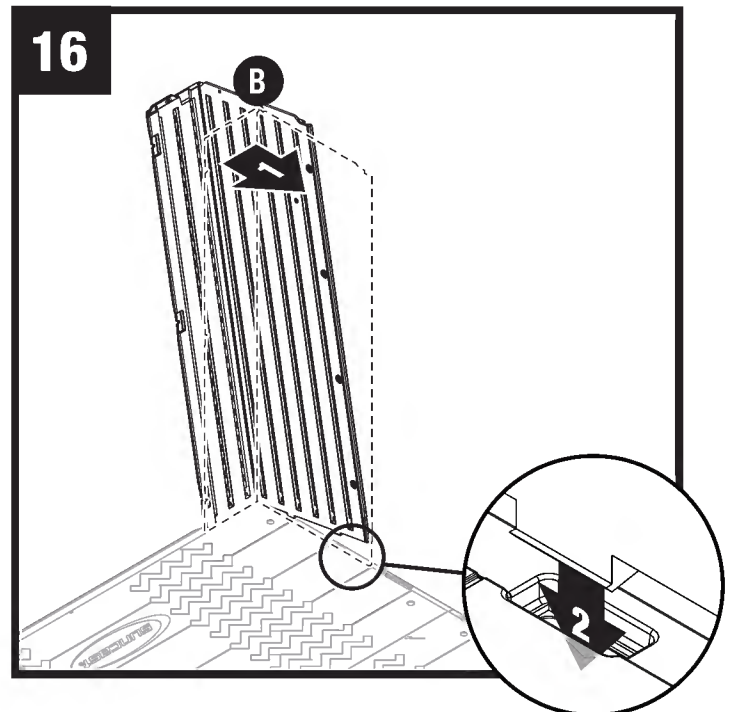


Align tab of left front corner (B) with slot on front floor (A). Lower panel into slot and lock in place by sliding panel toward outside of floor.

Note: A rubber mallet may be helpful.



Tip left front corner (B) outward slightly and bend corner hinge.



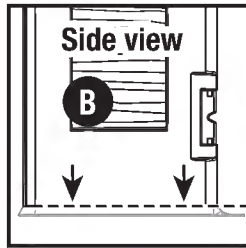
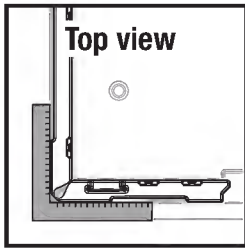
Tip left front corner (B) back to vertical position and align lower tabs on right side with slots in floor.

Note: You will hear a snap when tab is fully engaged.

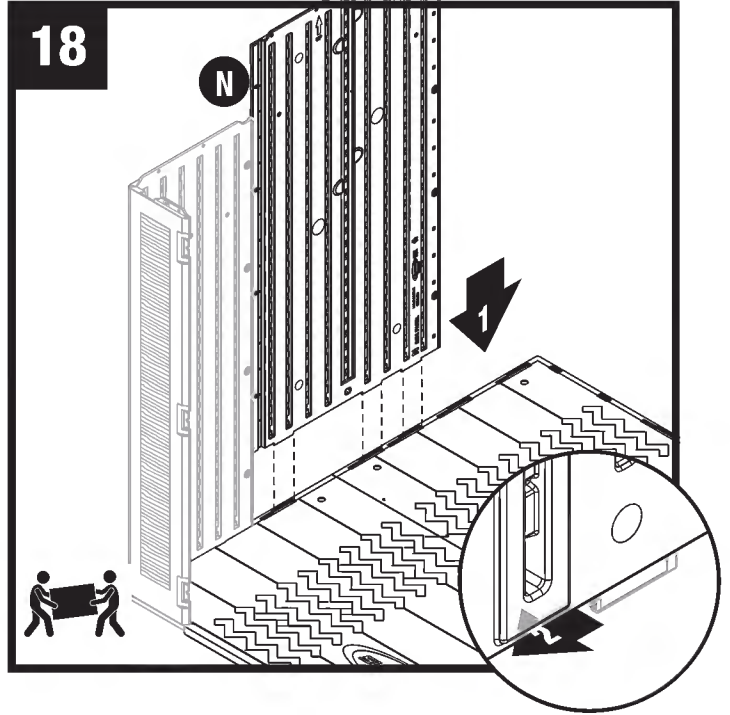
17

Before proceeding, make sure corner is square (top view) where it meets the floor and that panel is flush (side view) with floor.

If not, repeat Steps 14–16 until square and flush.



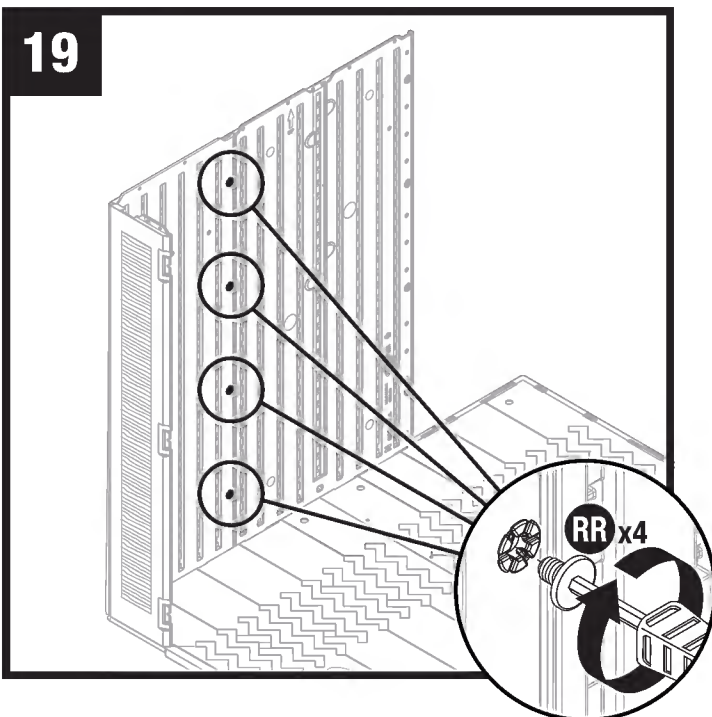
18



Align tabs on bottom of side panel (N) with slots along front and rear floors. Lower panel into slots and lock in place by sliding panel toward front corner.

Note: A rubber mallet may be helpful.

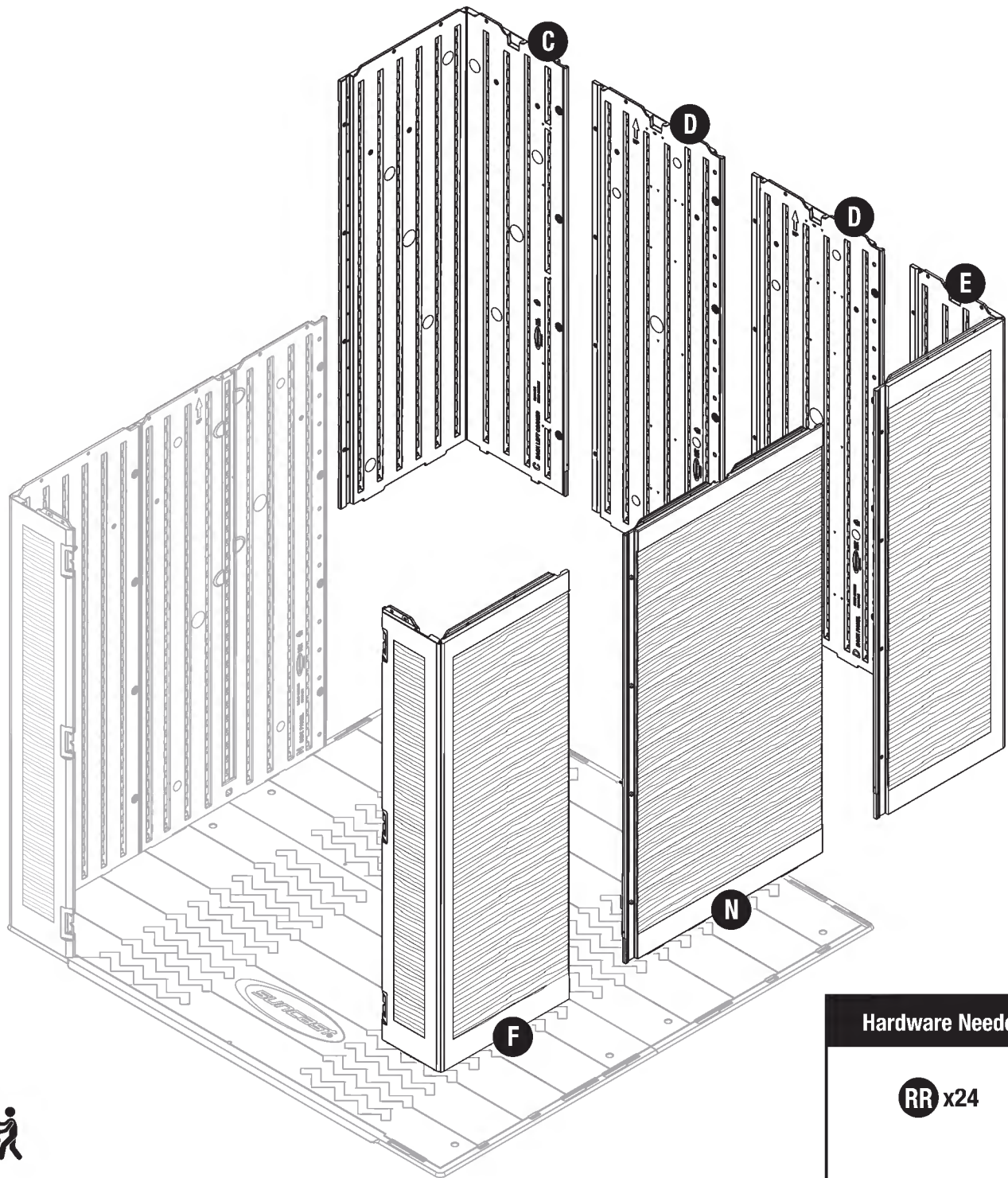
19



Secure side panel with 4 easy bolts (RR), working from floor to roof. **DO NOT** use torque wrench. Use easy driver and hand tighten. **DO NOT** overtighten.

Note: You may hear a click when easy bolt has been tightened completely.

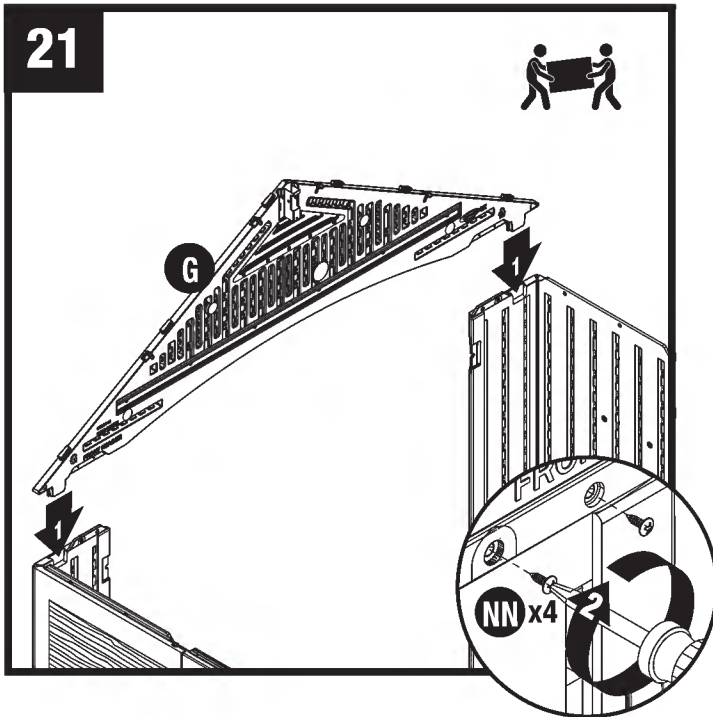
20



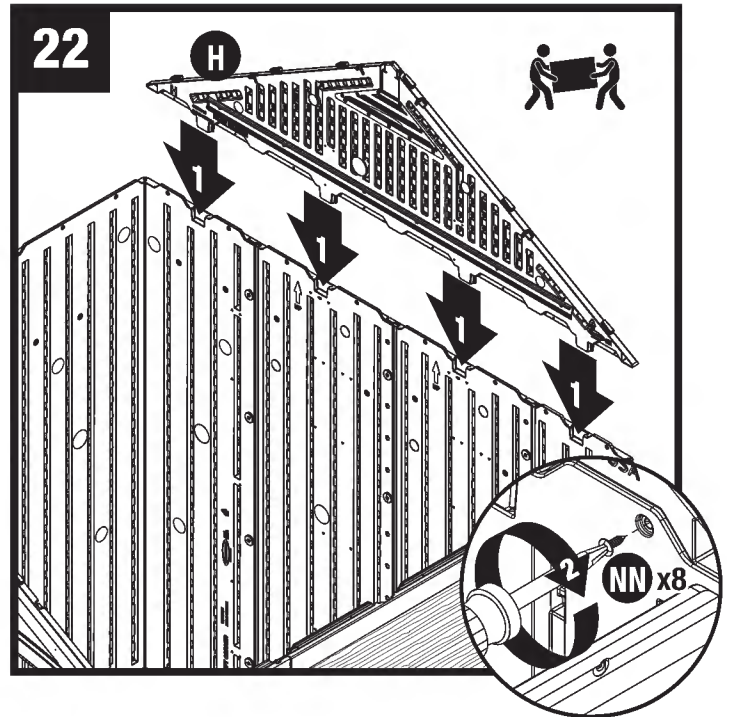
Hardware Needed

RR x24

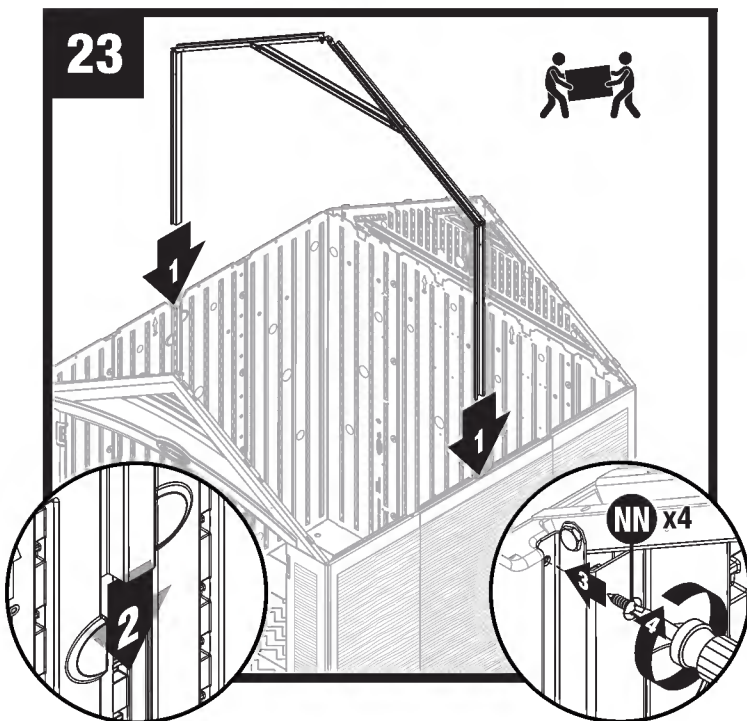
Repeat Steps 14-19 for remaining panels.



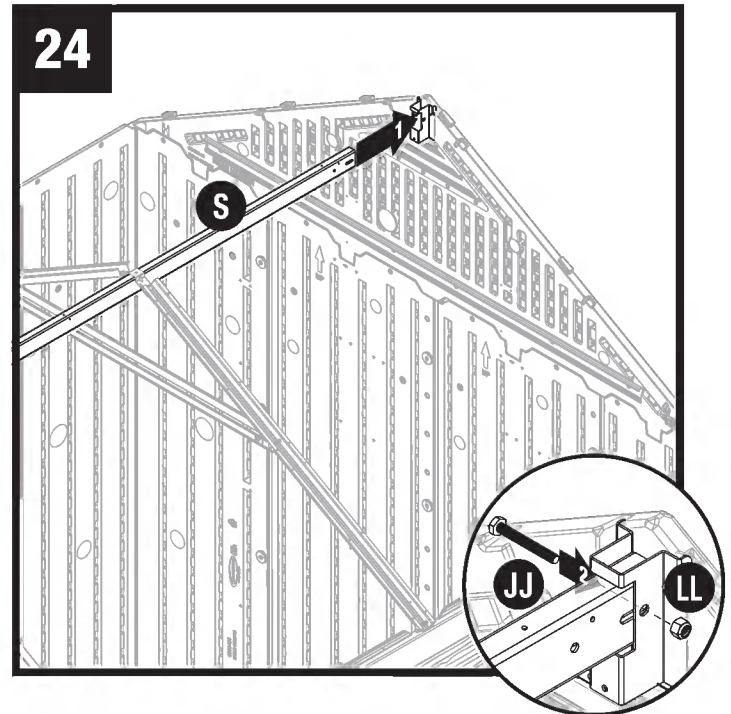
Place front header (G) over door opening and fit two protruding support legs into pockets molded in front corners. Secure front header using 2 screws (NN) in each corner.



Place rear header (H) over back walls and fit four protruding support legs into pockets molded in back walls. Secure rear header using 8 screws (NN).

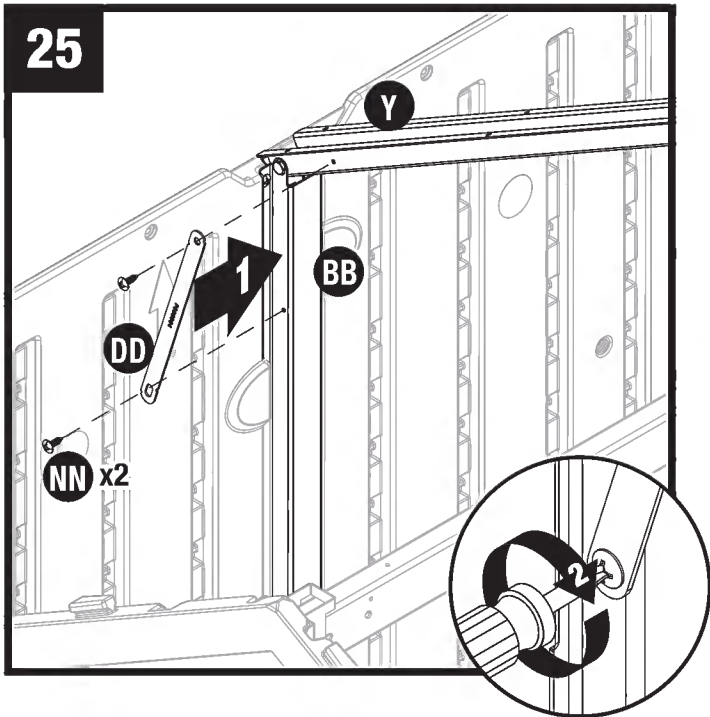


Slide truss assembly into place. Secure with 4 screws (NN) in each side adaptor bracket.



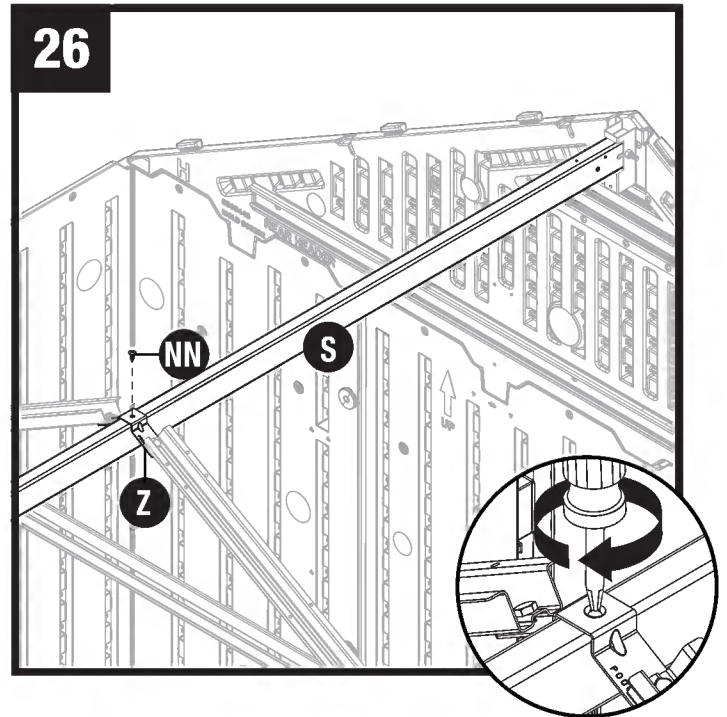
Slide ridge beam (S) up and into rear header bracket. Secure with 1 bolt (JJ) and locking nut (LL). Repeat with front header bracket.

Note: Make sure open end of ridge beam faces down.

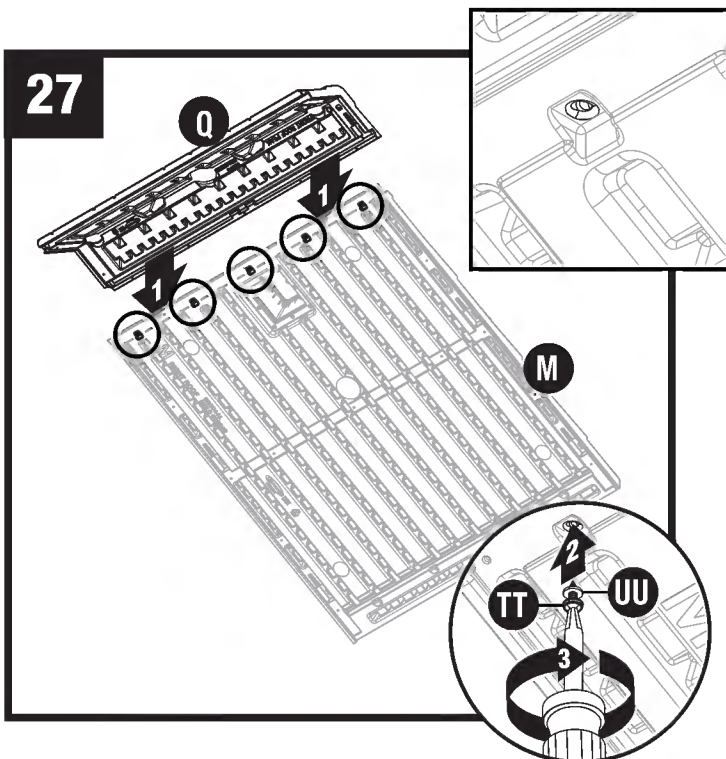


Attach truss strap (DD) to side adaptor (BB) and truss leg (Y) with 2 screws (NN).

Repeat for remaining truss strap.

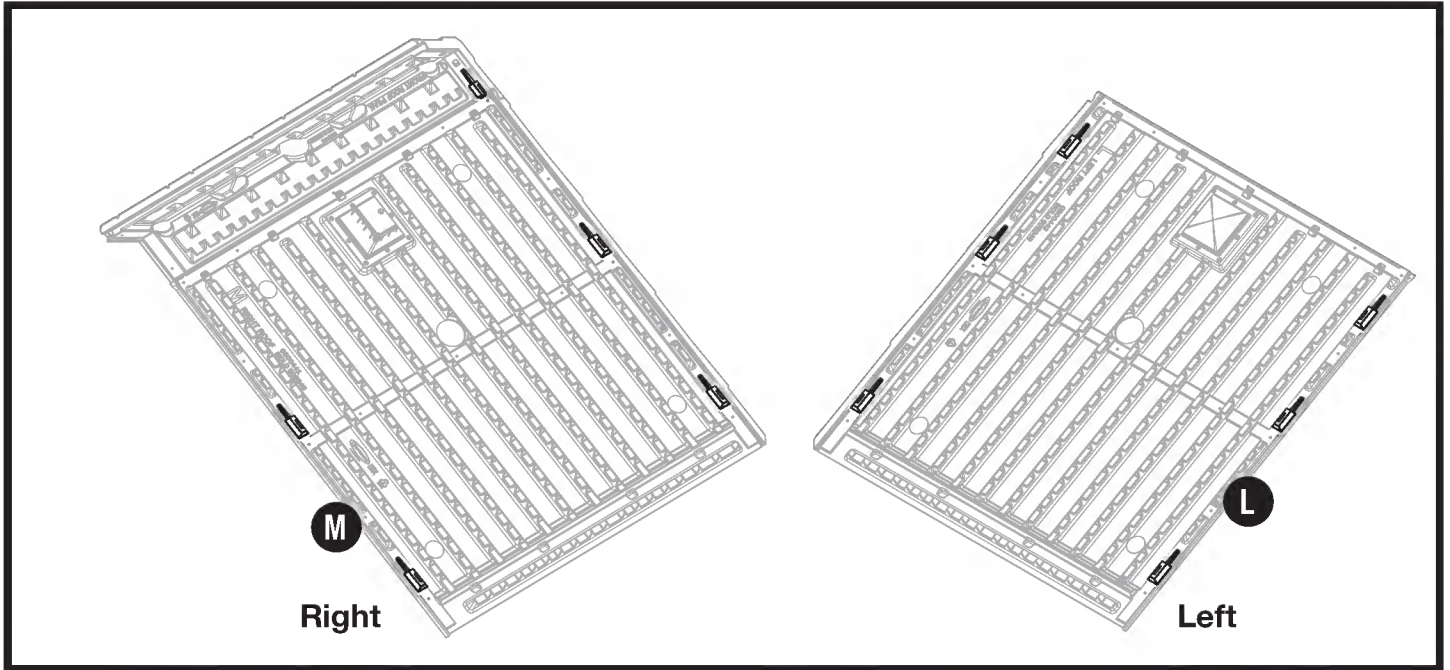


Attach truss bracket (Z) to ridge beam (S) with 1 screw (NN).

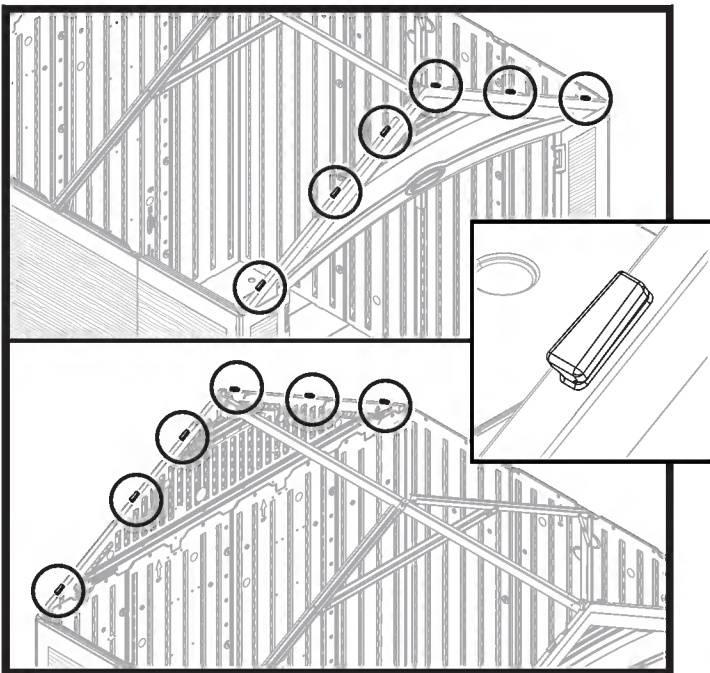


Place the front roof peak (Q) onto a right roof panel (M). Secure with 5 rubber washers (UU) and sealing screws (TT). Repeat for rear roof peak (W) and remaining right roof (M).

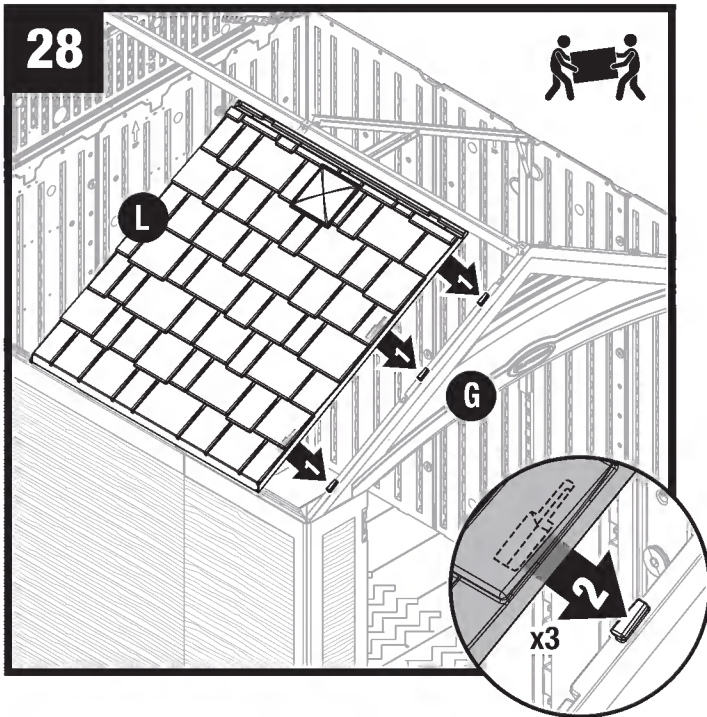
Note: Rubber side of washer should rest against panel.



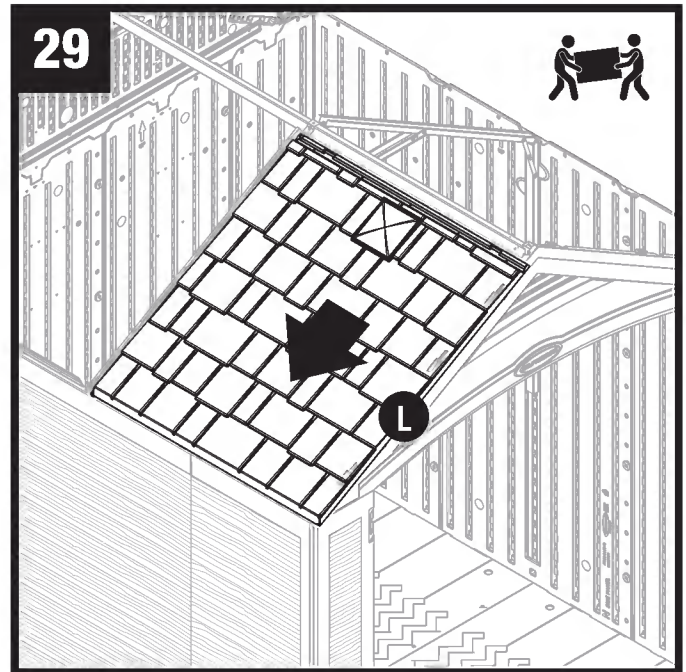
Before proceeding, locate and identify the five slots right roof assemblies (MQ,MW) and the six slots on left roofs (Lx2).



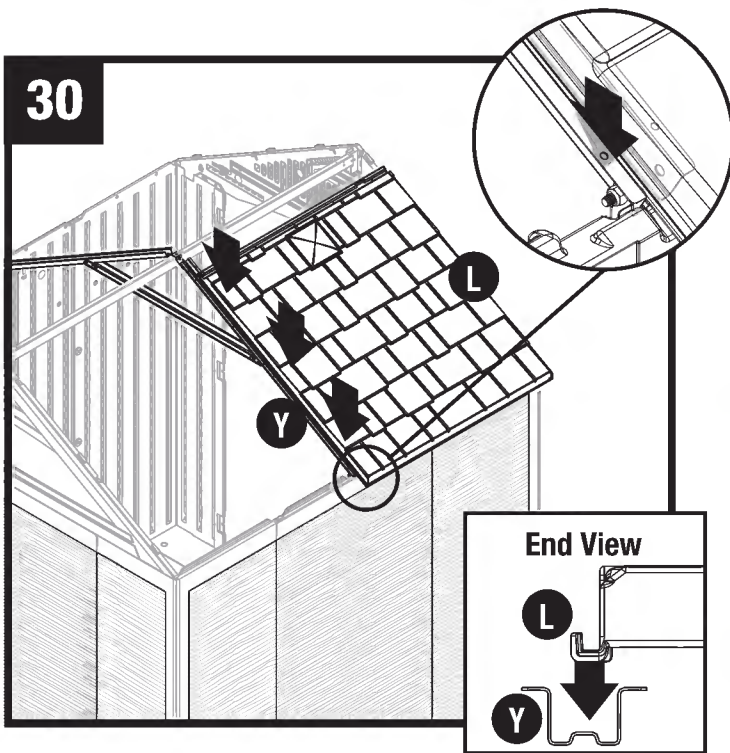
Before proceeding, locate and identify six front header tabs and six rear header tabs.



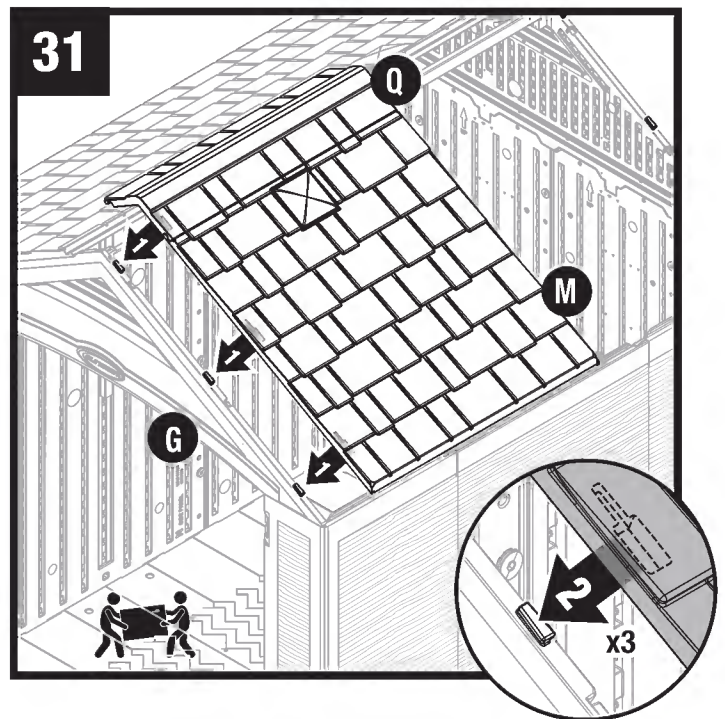
Lay left roof (L) directly over three tabs on left side of front header (G). With left roof slots seated over/on header tabs, check alignment in all three spots.



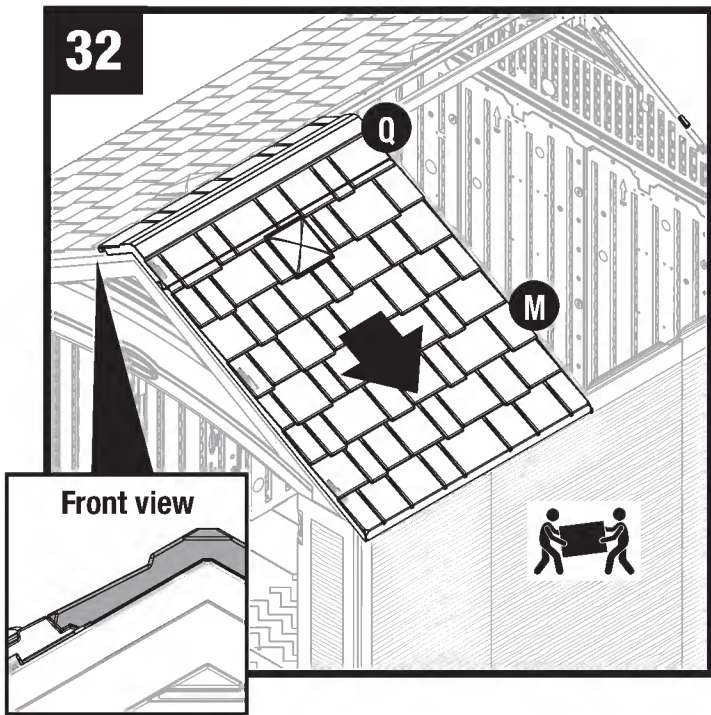
Slide left roof (L) down towards the outside of shed.



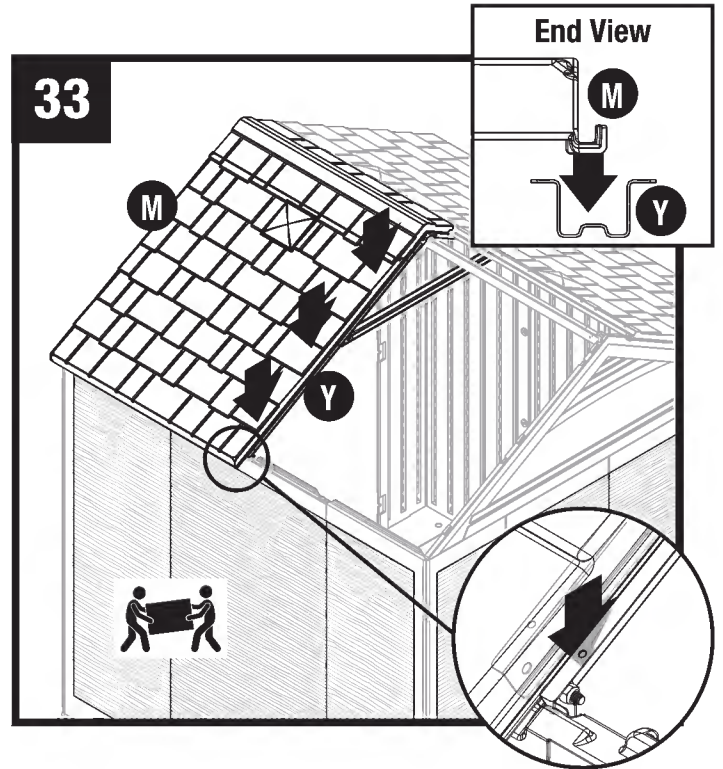
Press edge of left roof (L) into channel on truss leg (Y). Repeat steps 28-30 for remaining left roof (L).



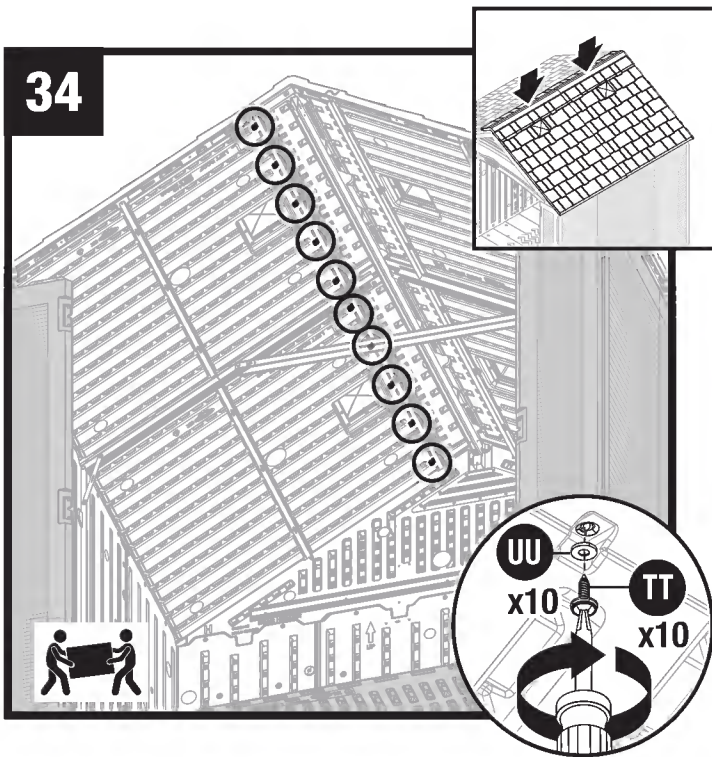
Lay right roof (M) with front roof peak (Q) directly over three tabs on right side of front header (G). With right roof slots seated over/on header tabs, check alignment in all three spots.



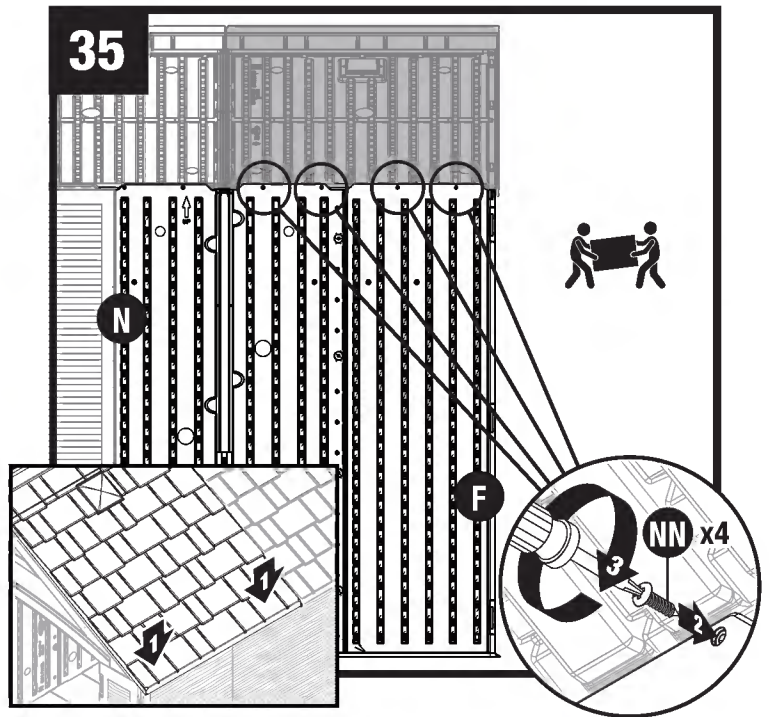
Slide right roof (M) with front roof peak (Q) down towards the outside of shed.



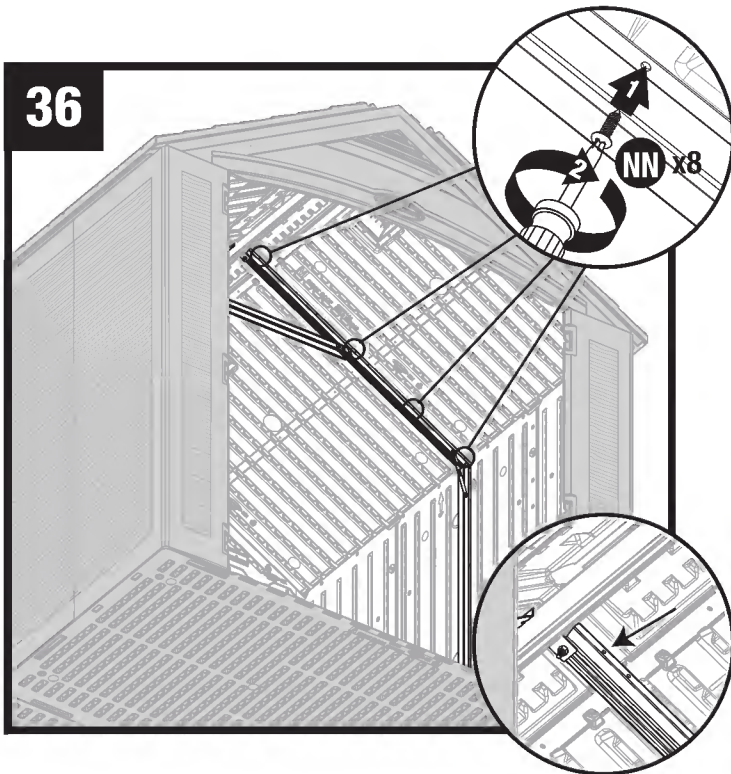
Press edge of right roof (M) into channel on truss leg (Y). Repeat steps 31-33 for remaining right roof panel (M) and rear roof peak (W).



Push down the right roof panels with roof peaks from outside. From inside shed, secure roof peaks to left roof panels together using 10 rubber sealing washers (UU) and sealing screws (TT).

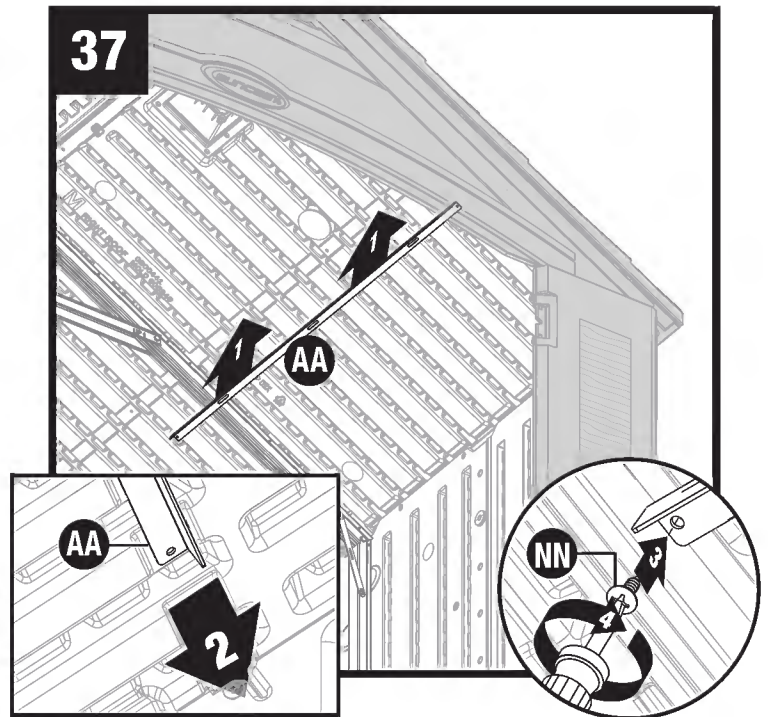


Pull down each lower corner of roof from outside. From inside shed, attach tabs on right front corner (F) and side panel (N) to roof panel with 4 screws (NN).



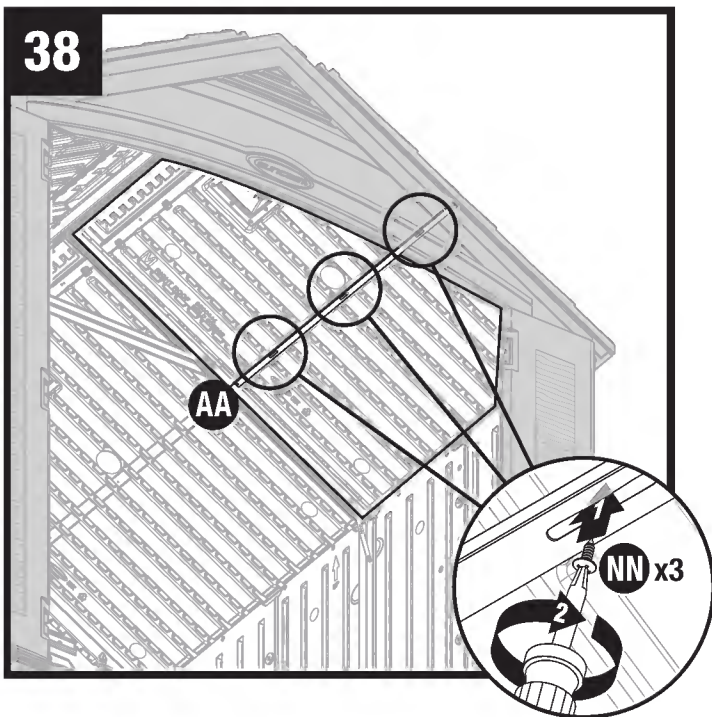
36

Secure roof to **both** sides of roof truss using 8 screws (NN). Each screw will attach at a corresponding screw boss on the roof. *Note: Start with the hole closest to the roof peak.*



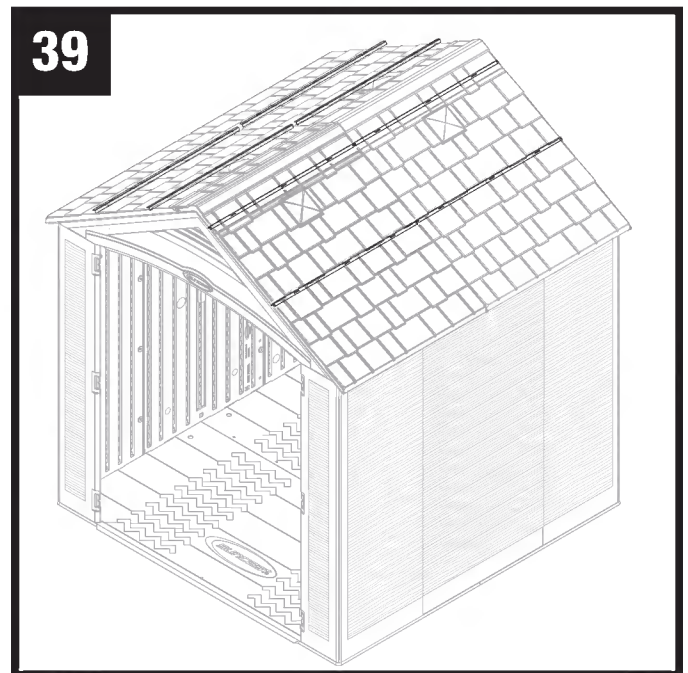
37

Raise L-bracket (AA) into position against roof. Slide L-bracket (AA) into front header. Secure L-bracket to underside of truss leg with 1 screw (NN).



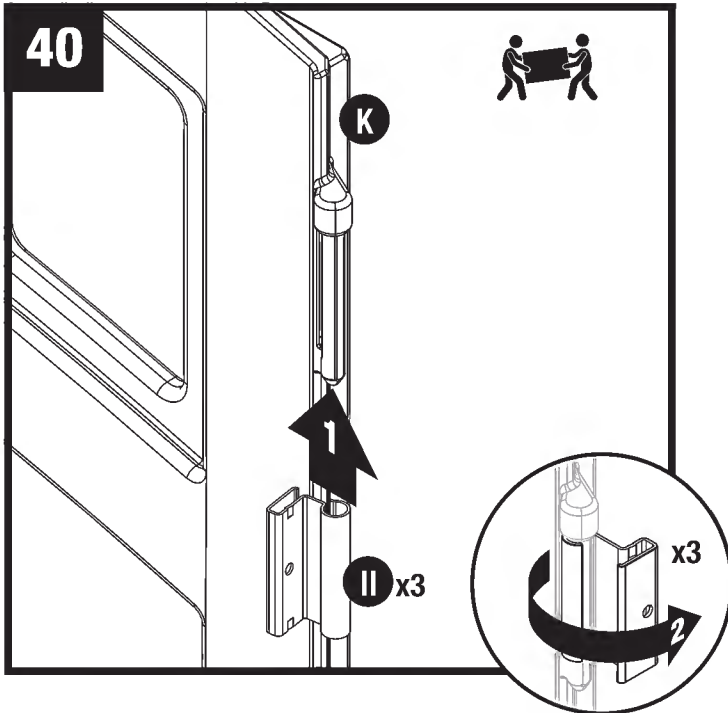
38

Secure L-bracket (AA) to roof using 3 screws (NN).

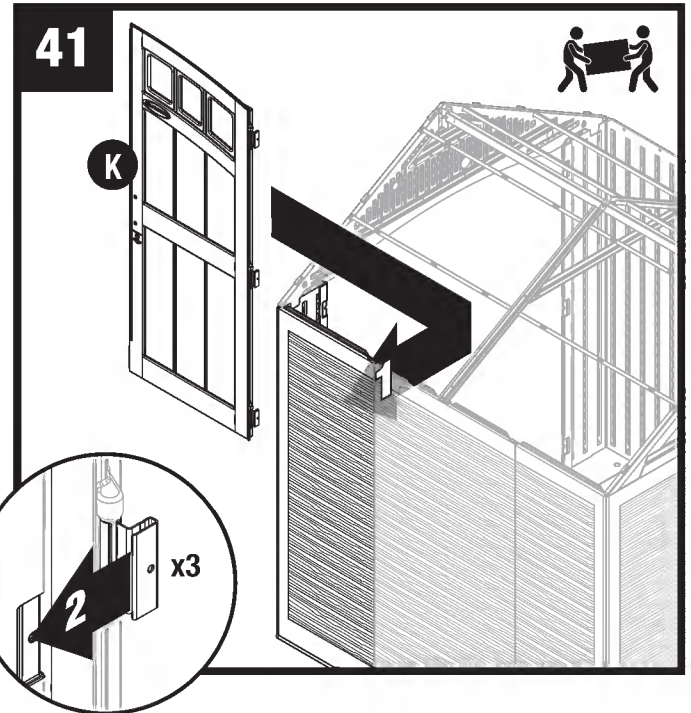


39

Repeat steps 37 & 38 for remaining 7 L-brackets (AA).

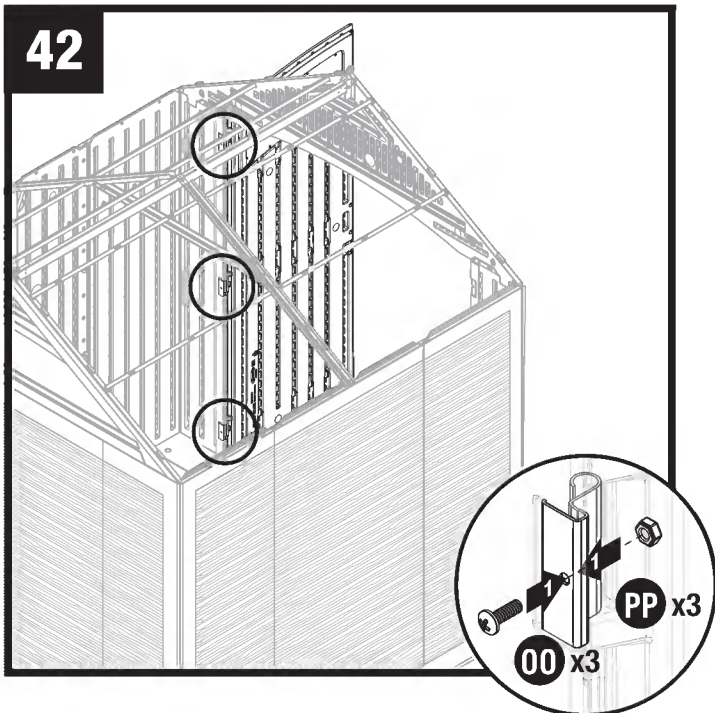


Stand right door (K) upright with three hinge mounts facing right. Slide one door hinge (II) up onto each hinge mount. Rotate hinges to outside of door.



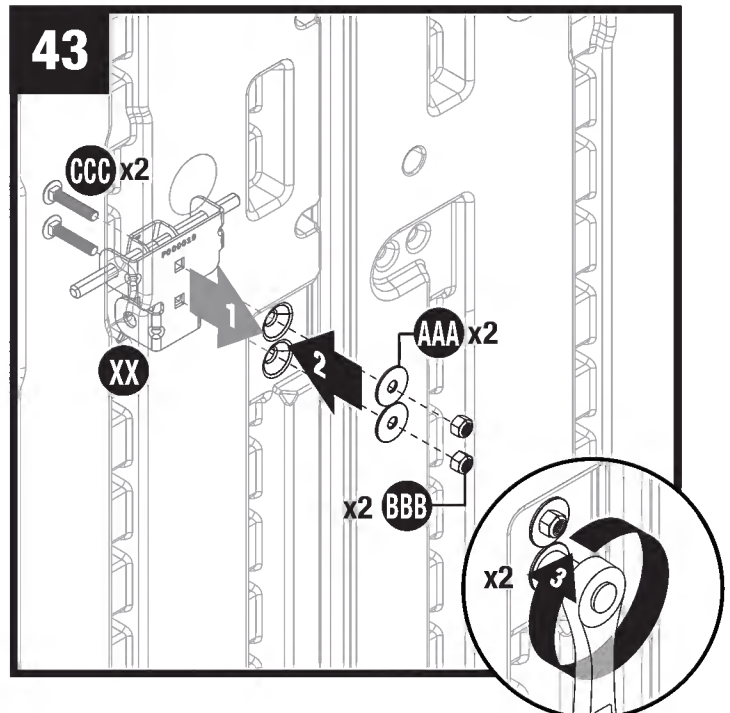
With door hinge in open position, slide one hinge over each hinge receptacle on inside of right front panel.

Note: A rubber mallet may be helpful.

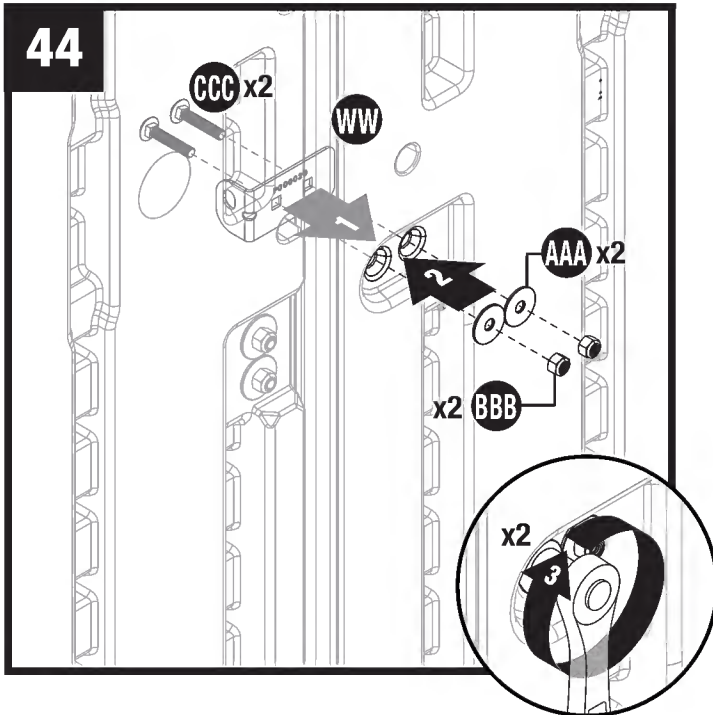


Secure each door hinge with 1 screw (OO) and locking nut (PP).

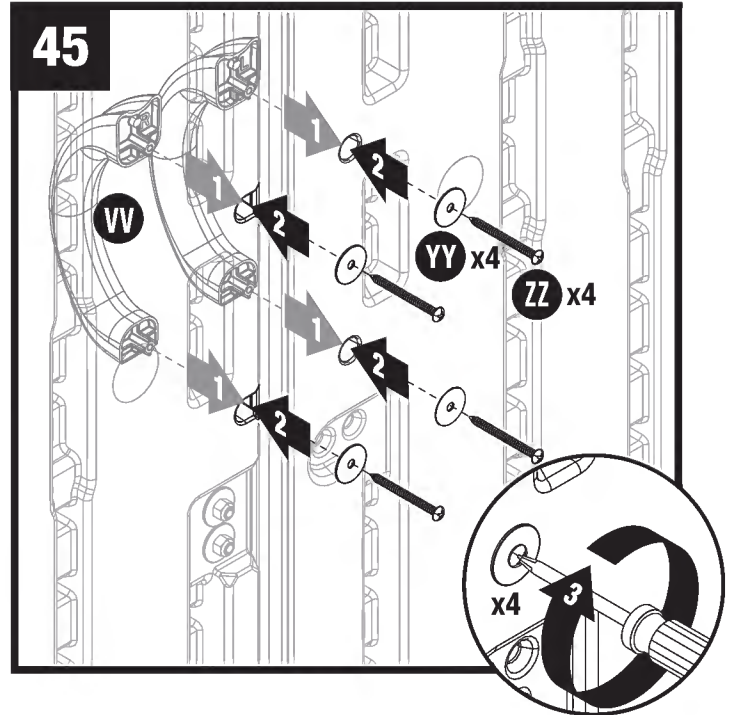
Repeat steps 40-42 for left door (J).



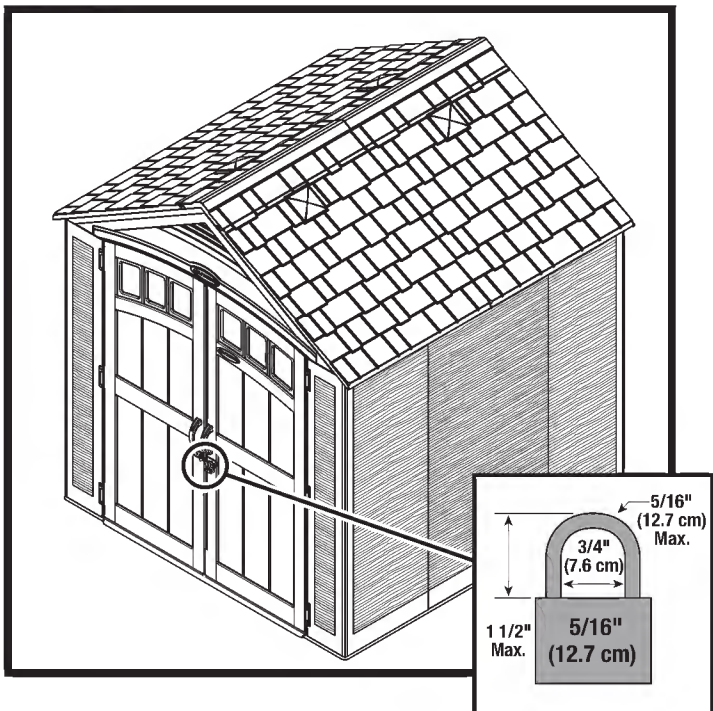
Insert 2 screws (CCC) into right latch plate (XX) and through right door. While holding plate in place on exterior of door, secure each screw with 2 washers (AAA) and locking nuts (BBB).



Insert screws (CCC) into left latch plate (WW) and through left door. While holding plate in place on exterior of door, secure screws with 2 washers (AAA) and locking nuts (BBB).



From the outside of doors, insert door handle (VV) stems into holes of left and right doors. On inside of doors, place washers (YY) on each door handle stem, and secure each with 1 screw (ZZ).



Attach a 5/16" lock (not provided) through door latch, to properly secure shed.

Note: To maintain warranty coverage, the product should be pad-locked and latching devices engaged at all times when not in use.

