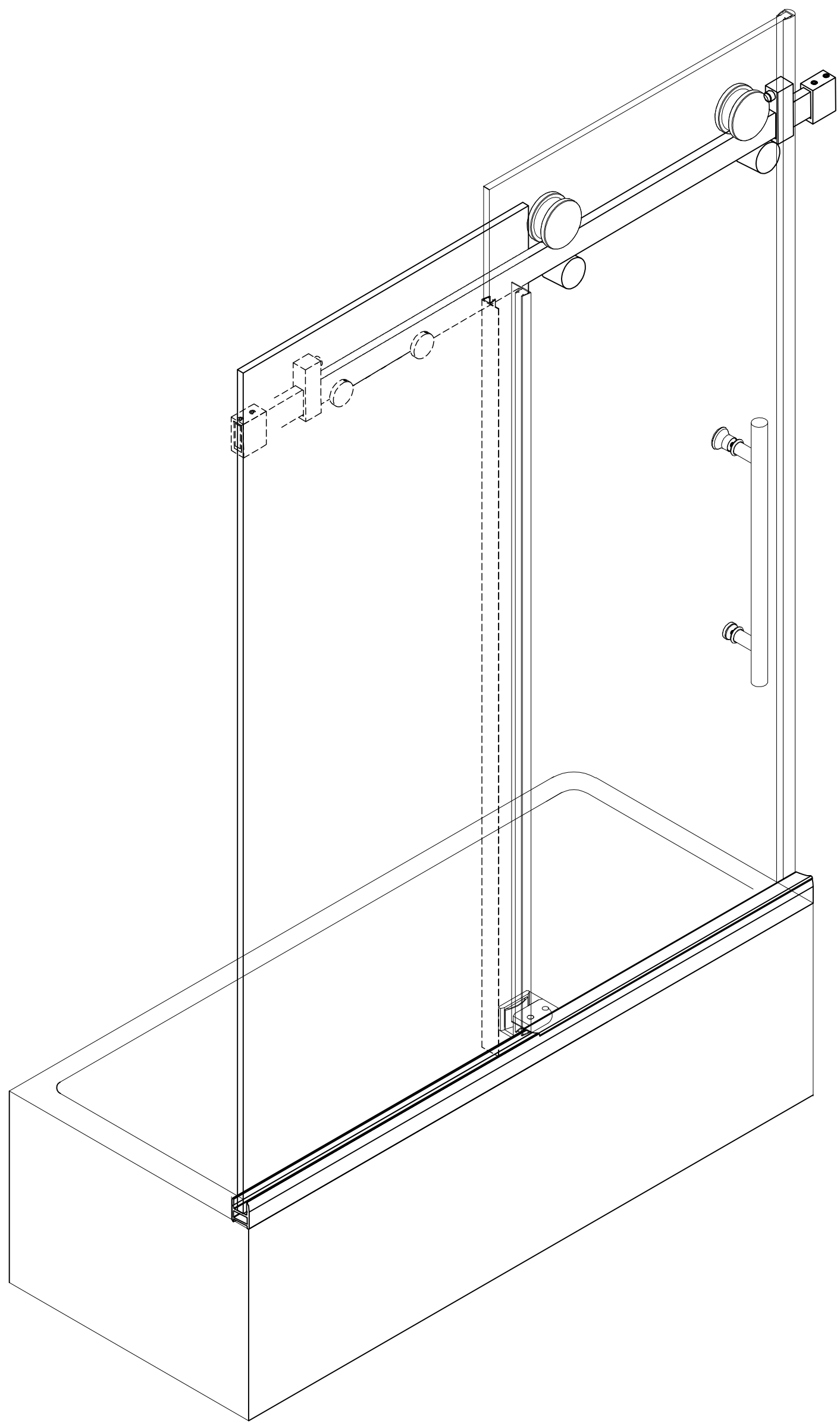
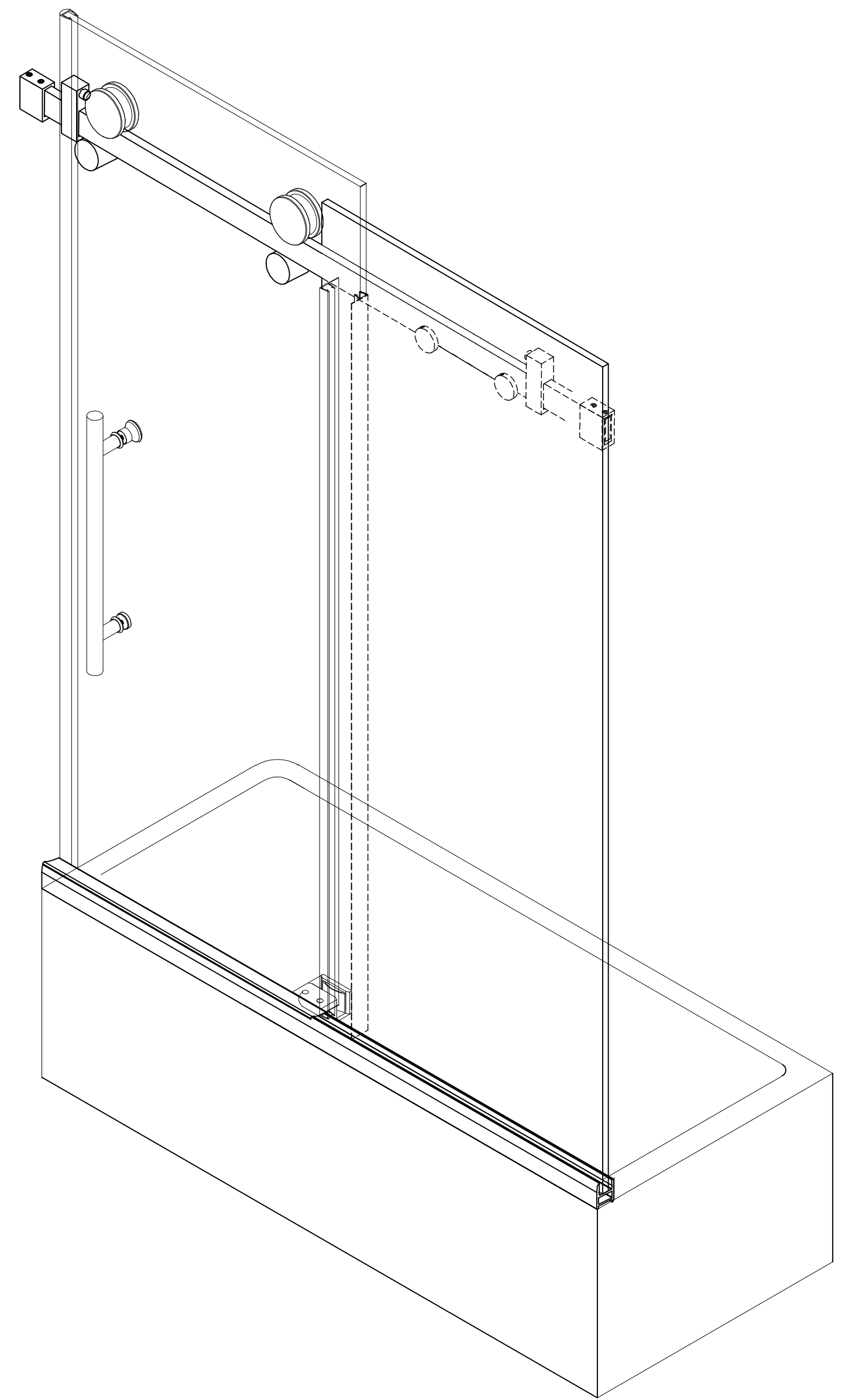


# Installation & Assembly

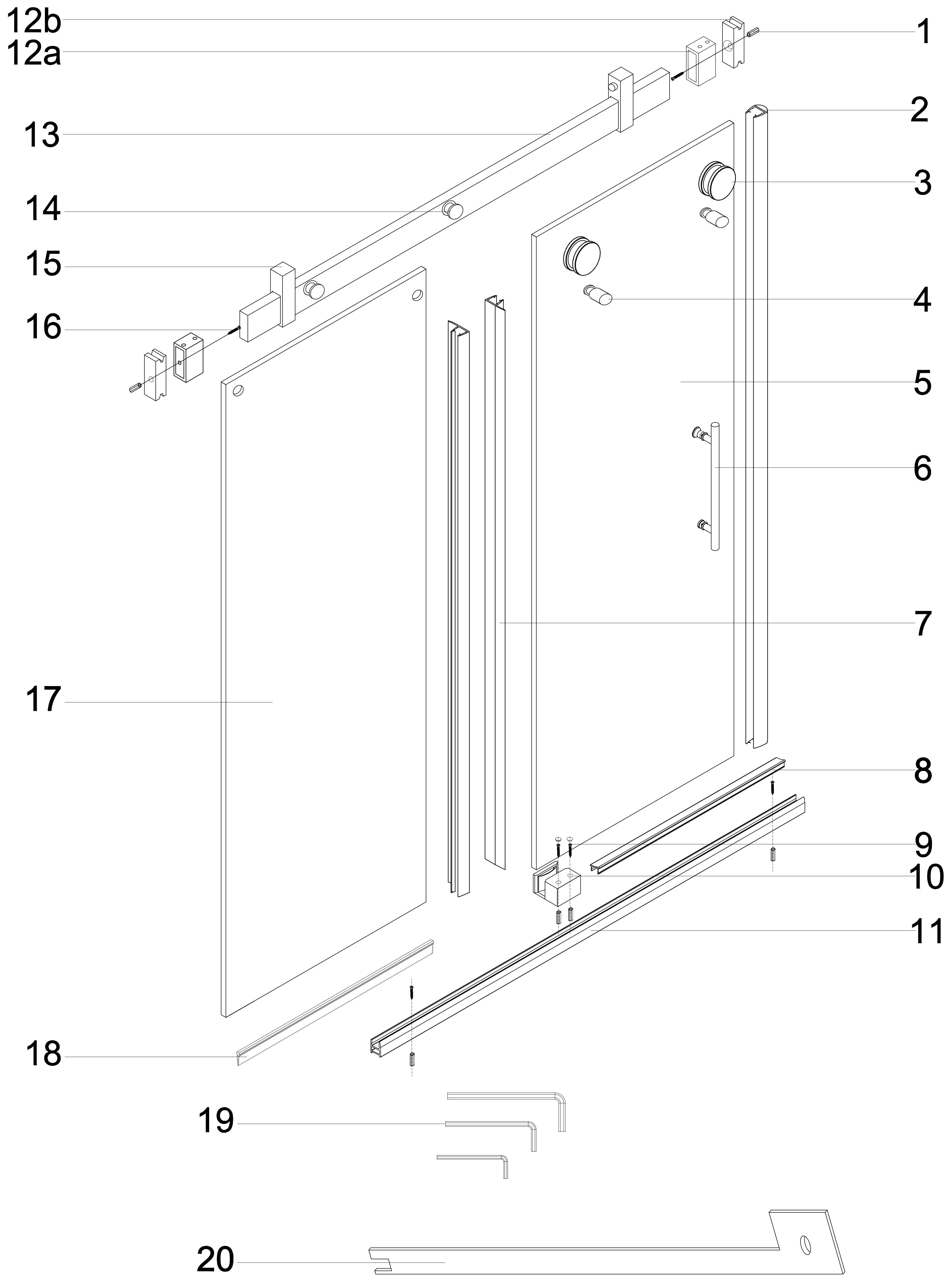


Left Hand Install



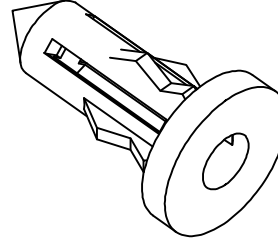
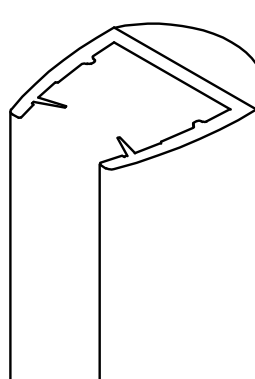
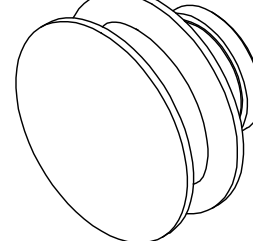
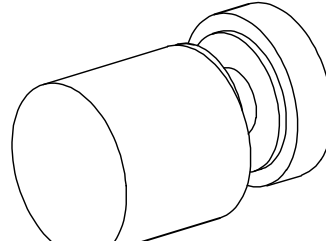
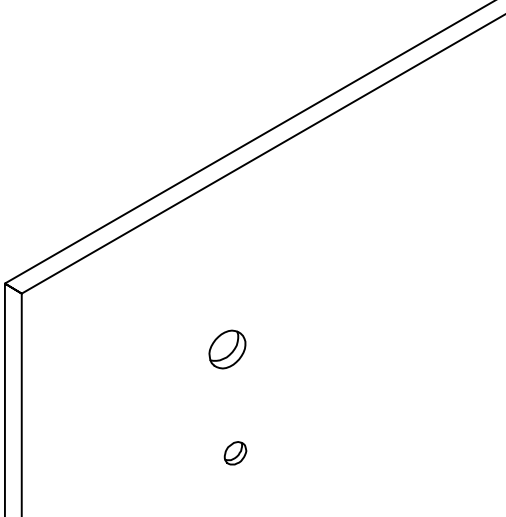
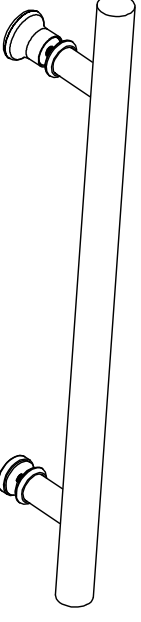
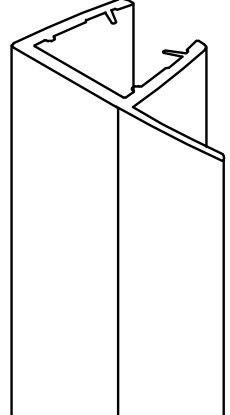
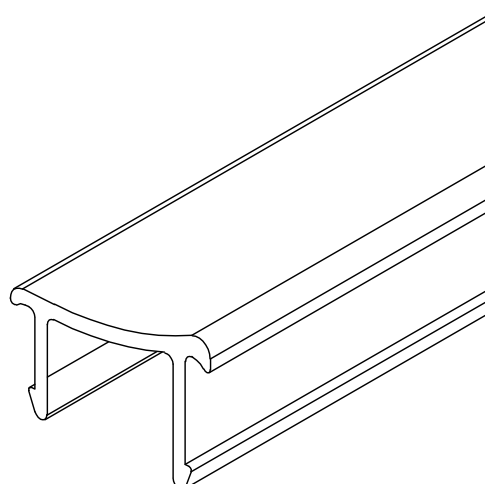
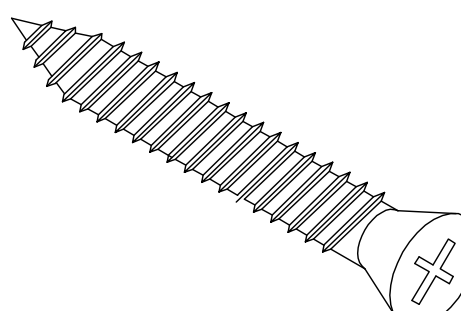
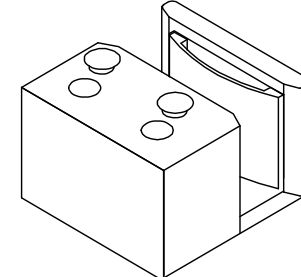
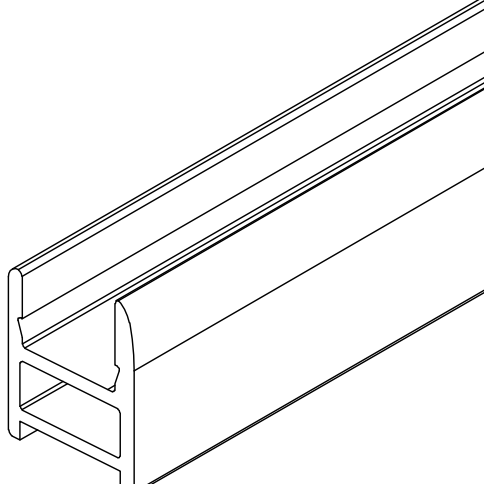
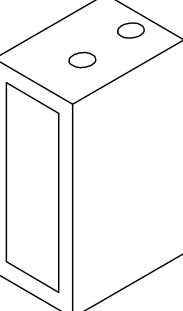
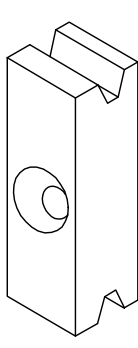
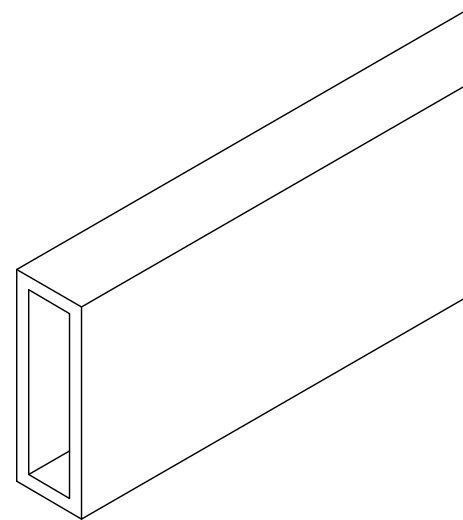
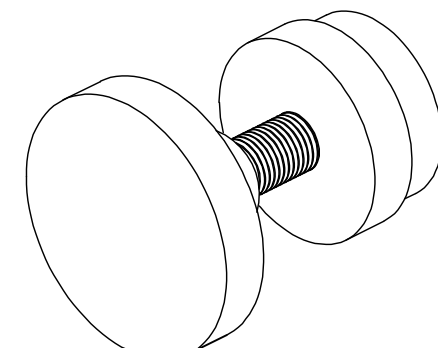
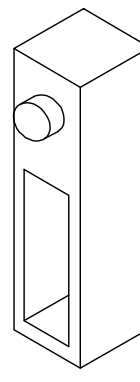
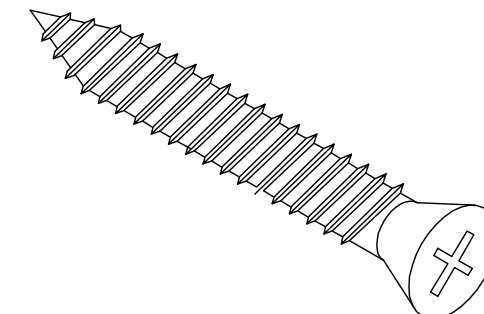
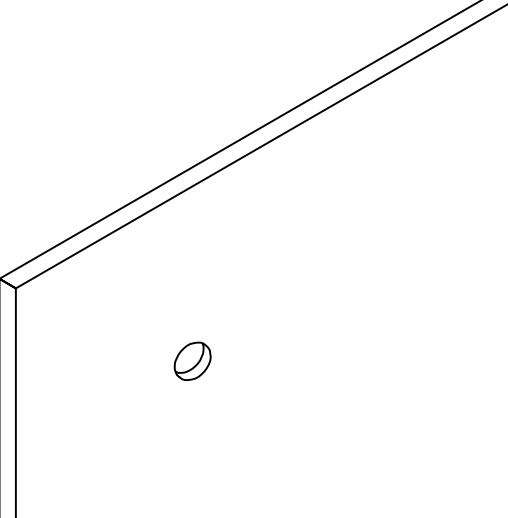
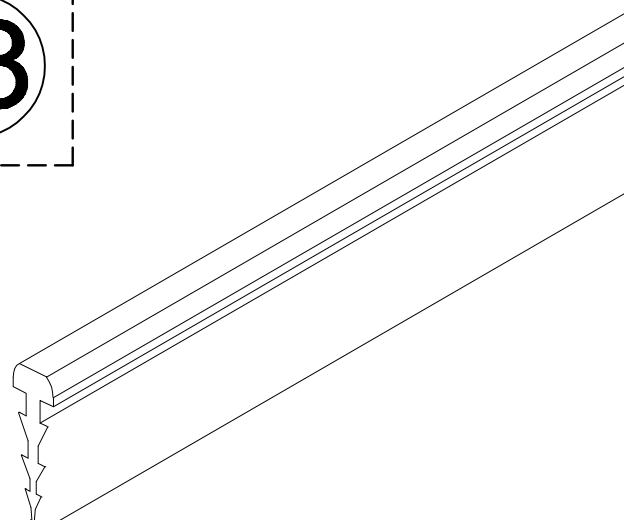
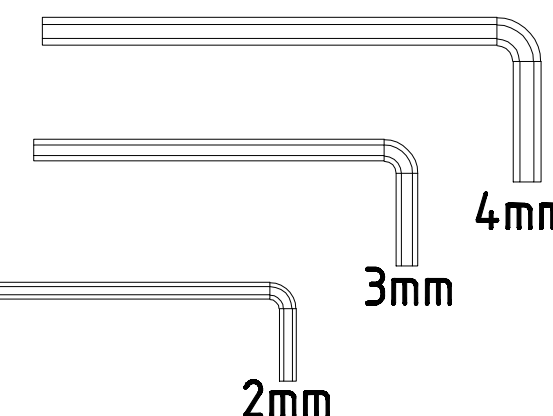
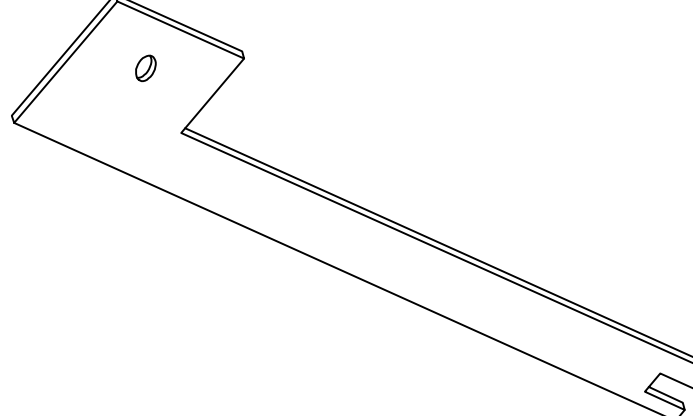
Right Hand Install

# Detailed Diagram

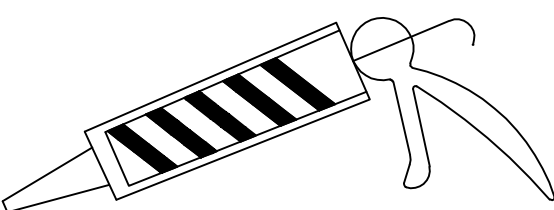
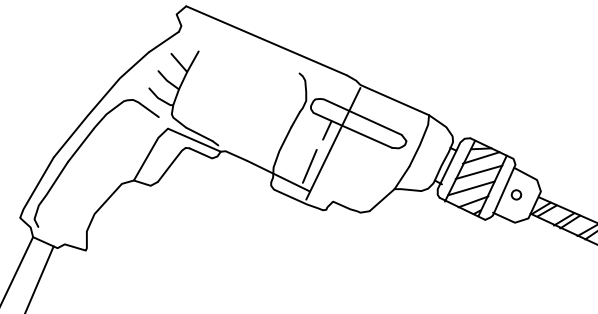
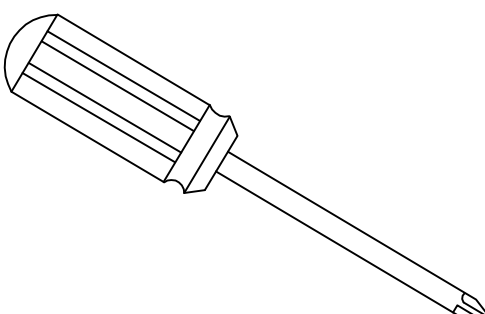
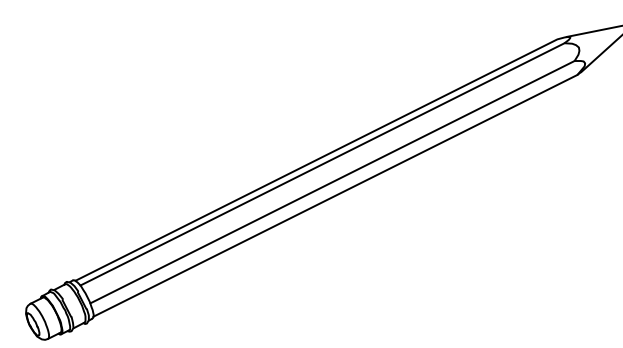
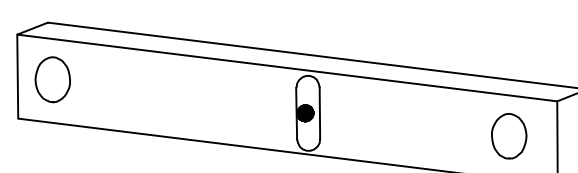
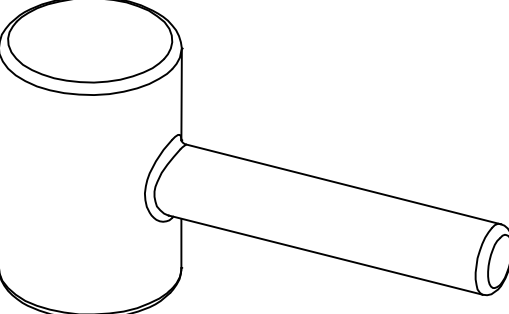
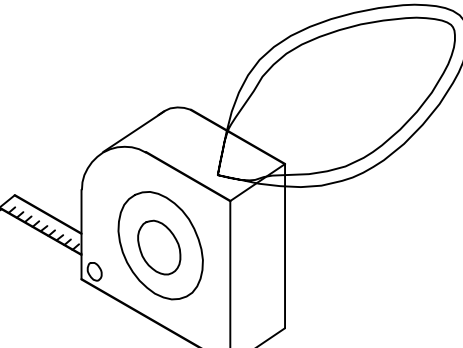


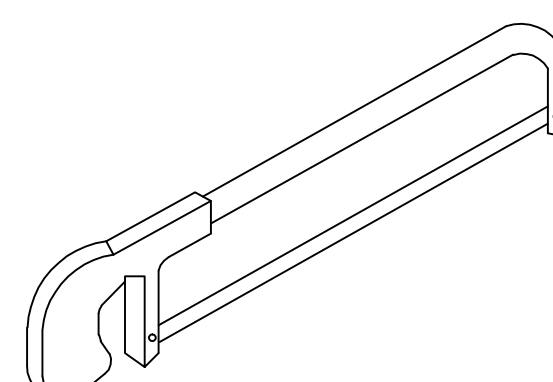




# PART LIST

Check all parts according to the list before assembly . Feel free to contact with us if you need assistance .

					
Wall Anchor6*1"(6 pcs)	Bumper Strip(1 pc)	Roller(2 pcs)	Anti-Jumper(2 pcs)	Roller Door(1 pc)	Handle(1 pc)
					
Water-Retaining Gasket(2 pcs)	Threshold(1 pc)	Self-Tapping Screws (4*20) (4 pcs)	Door Guide (1 pc)	Door Bottom Guide (1 pc)	Rail Wall Bracket (2 pcs)
					
Rail Wall Connector (2 pcs)	Top Rail(1 pc)	Fixed Panel Fastener (2 pcs)	Door Bumper (2 pcs)	Self-Tapping Screws (4*30) (2 pcs)	Fixed Panel(1 pc)
					
One-sided strip(1 pc)	Allen Wrenches(3 pcs)	Template			

## Recommended Tools

					
Silicone	Drill	Philips Screw Driver	Pencil	Level	Rubber Mallet
					
Tape Measure	Ø1/4" Drill Bit	Wood Jam	Hacksaw	Safety Glass	Safety Gloves

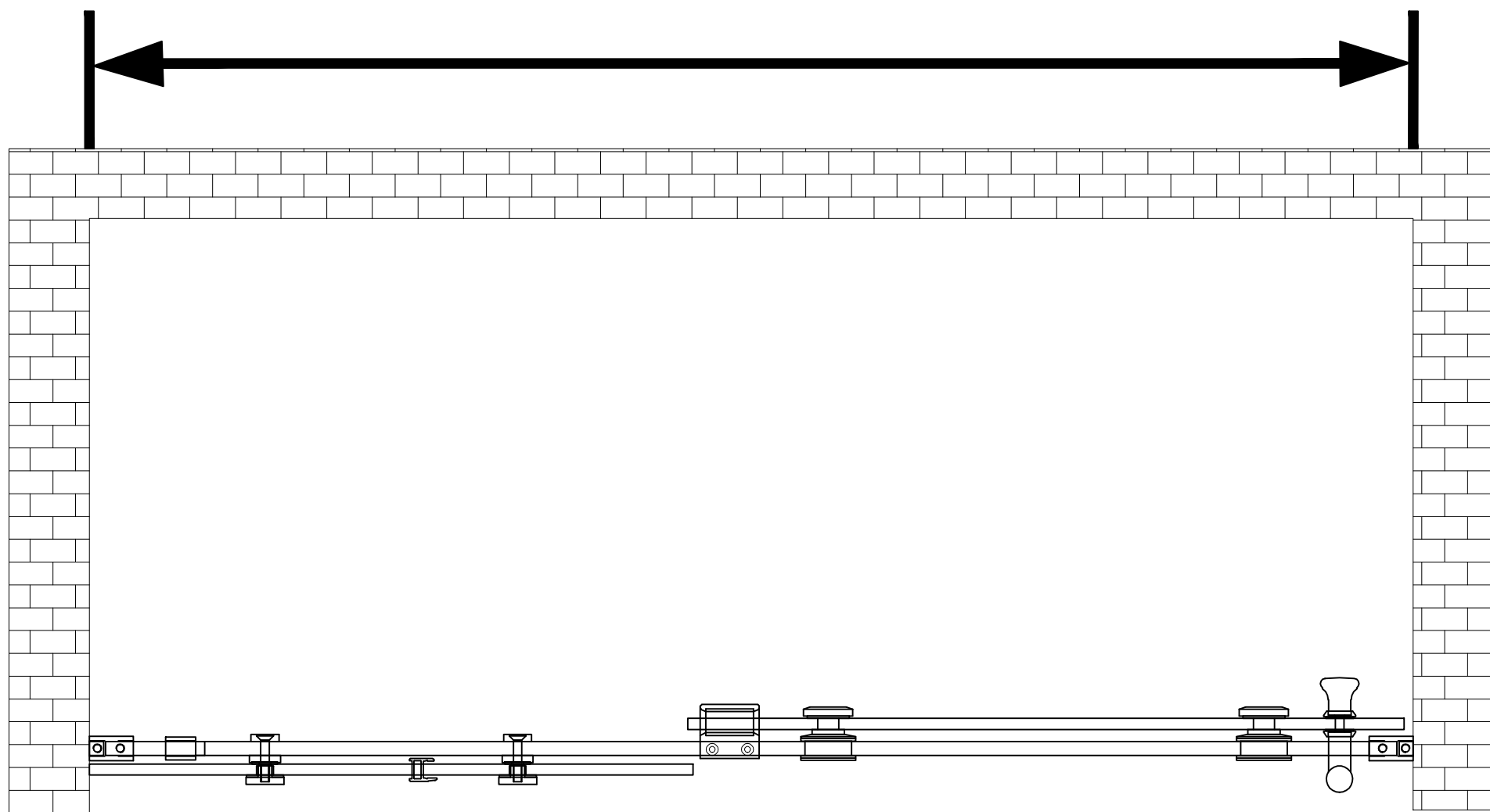
\*Utilize Safety Glasses and Safety Gloves when constructing this shower door\*

## Left Hand Assembly

STEP 1: Measure opening for the correct Shower Door size.

\*For 48" Shower Door your opening should be between 44-48" between the lines

\*For 60" Shower Door your opening should be between 56-60" between the lines

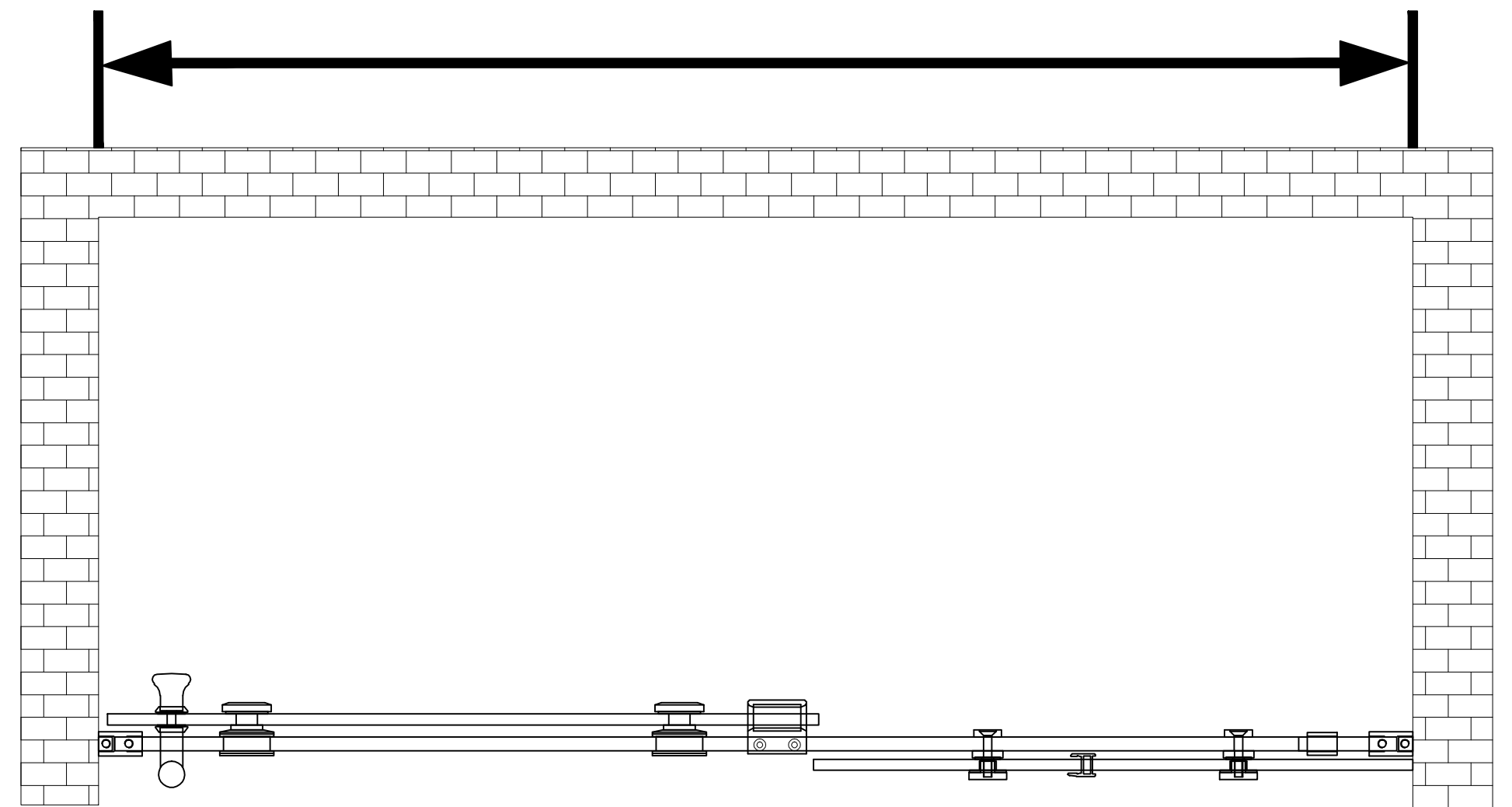


## Right Hand Assembly

STEP 1: Measure opening for the correct Shower Door size.

\*For 48" Shower Door your opening should be between 44-48" between the lines

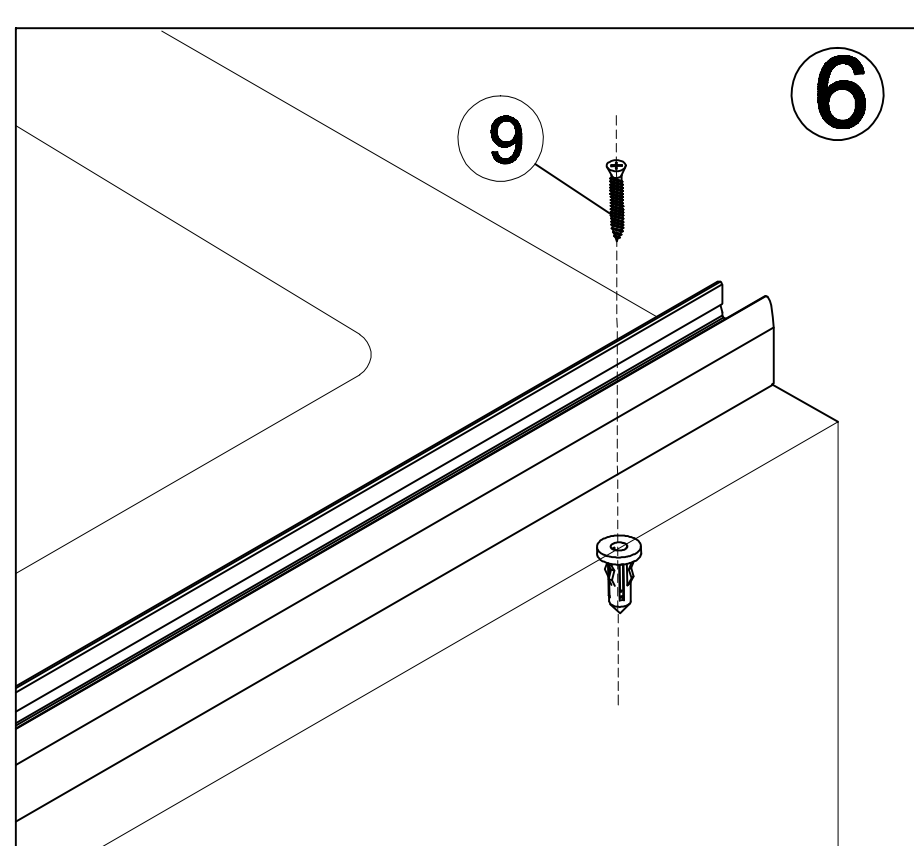
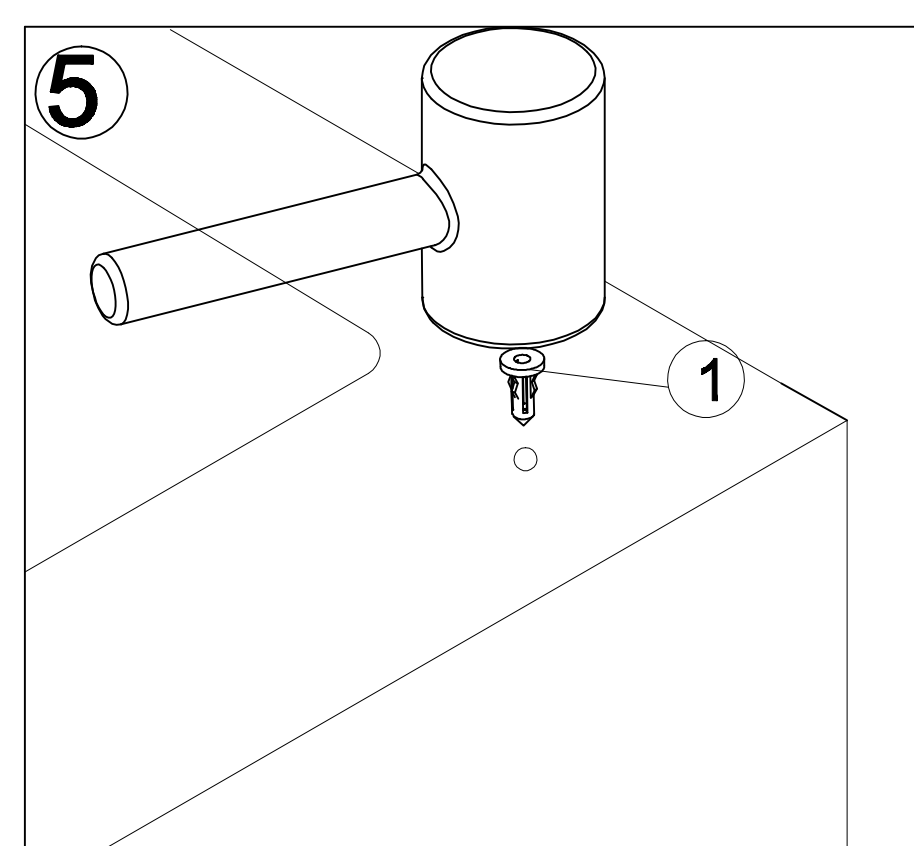
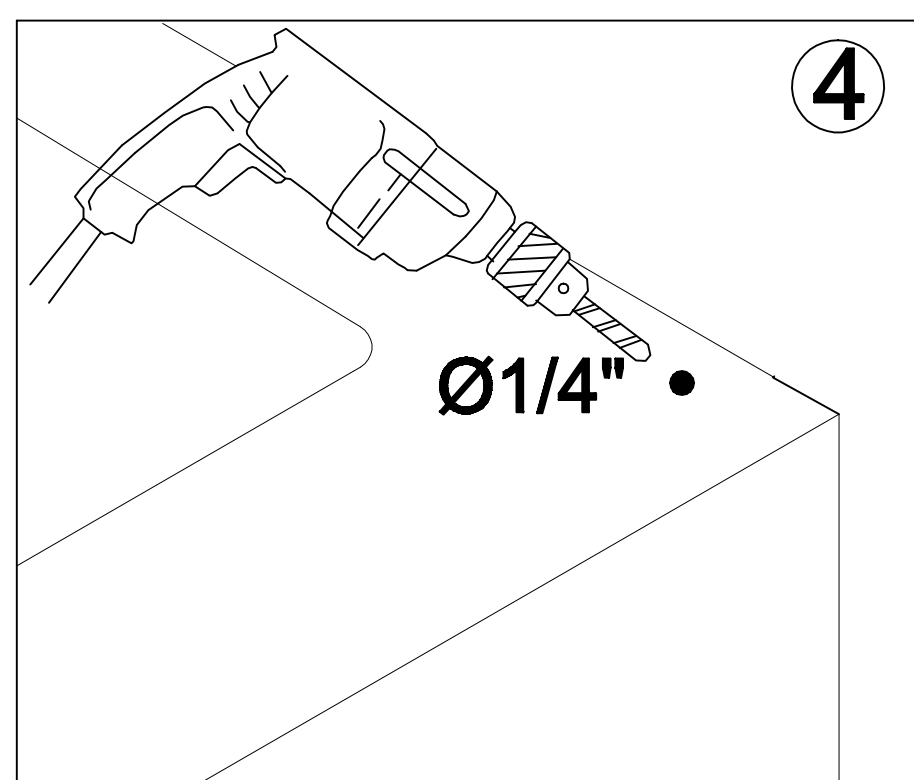
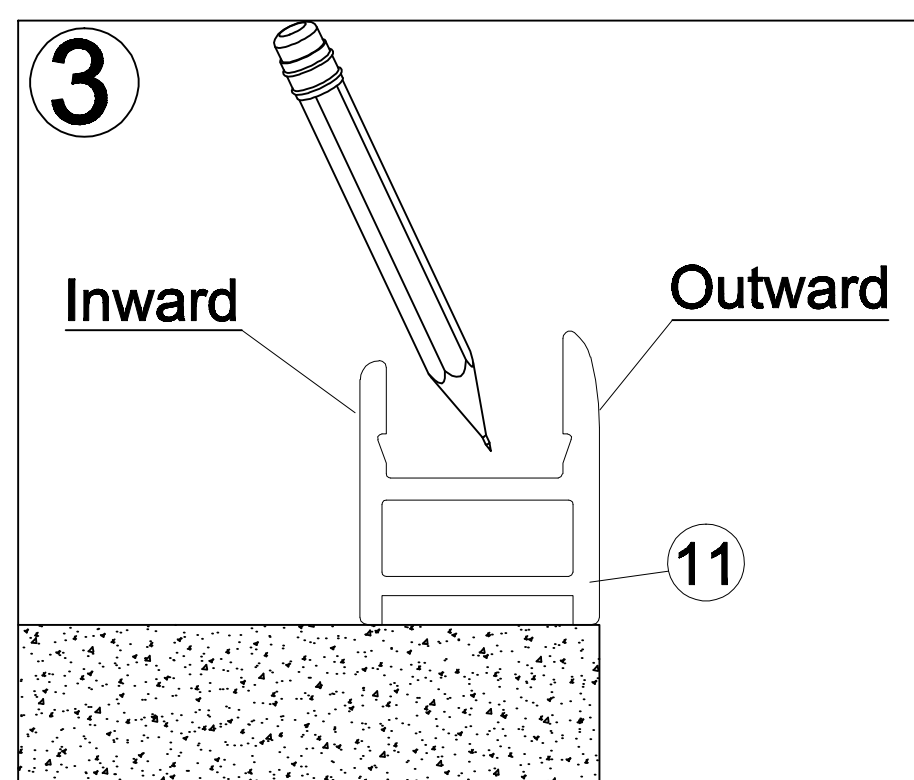
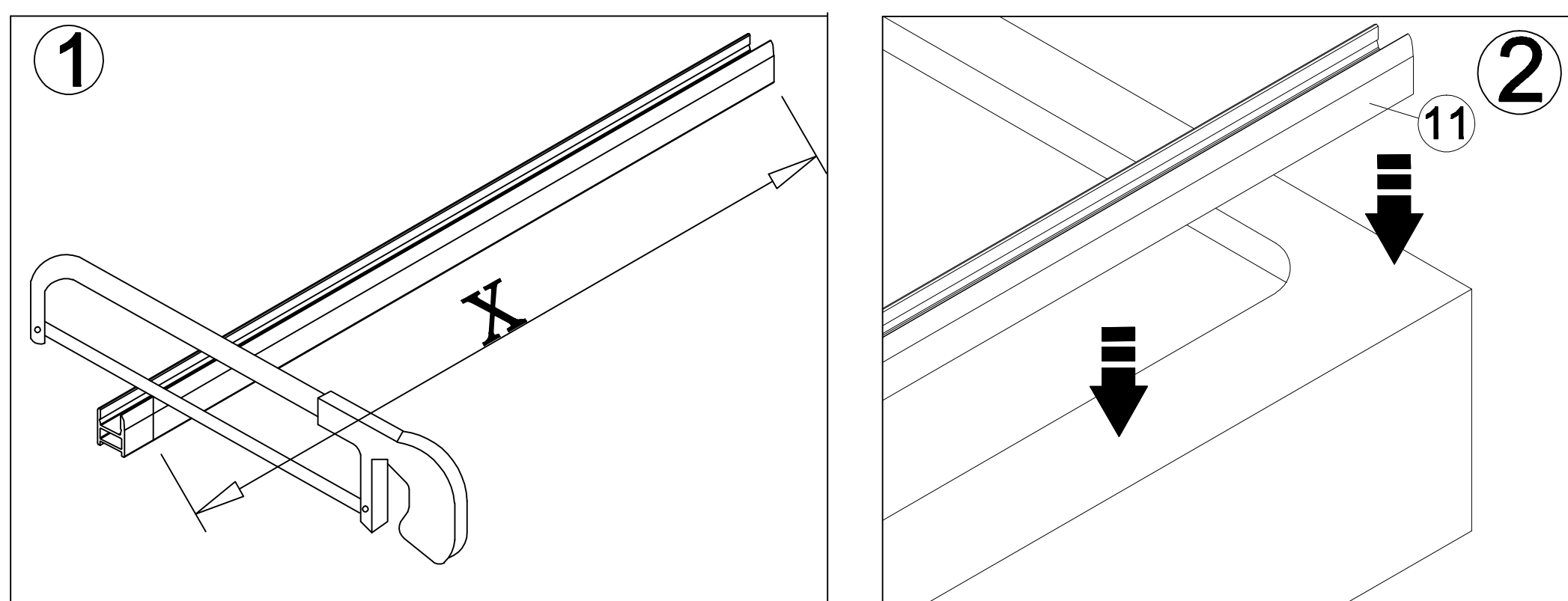
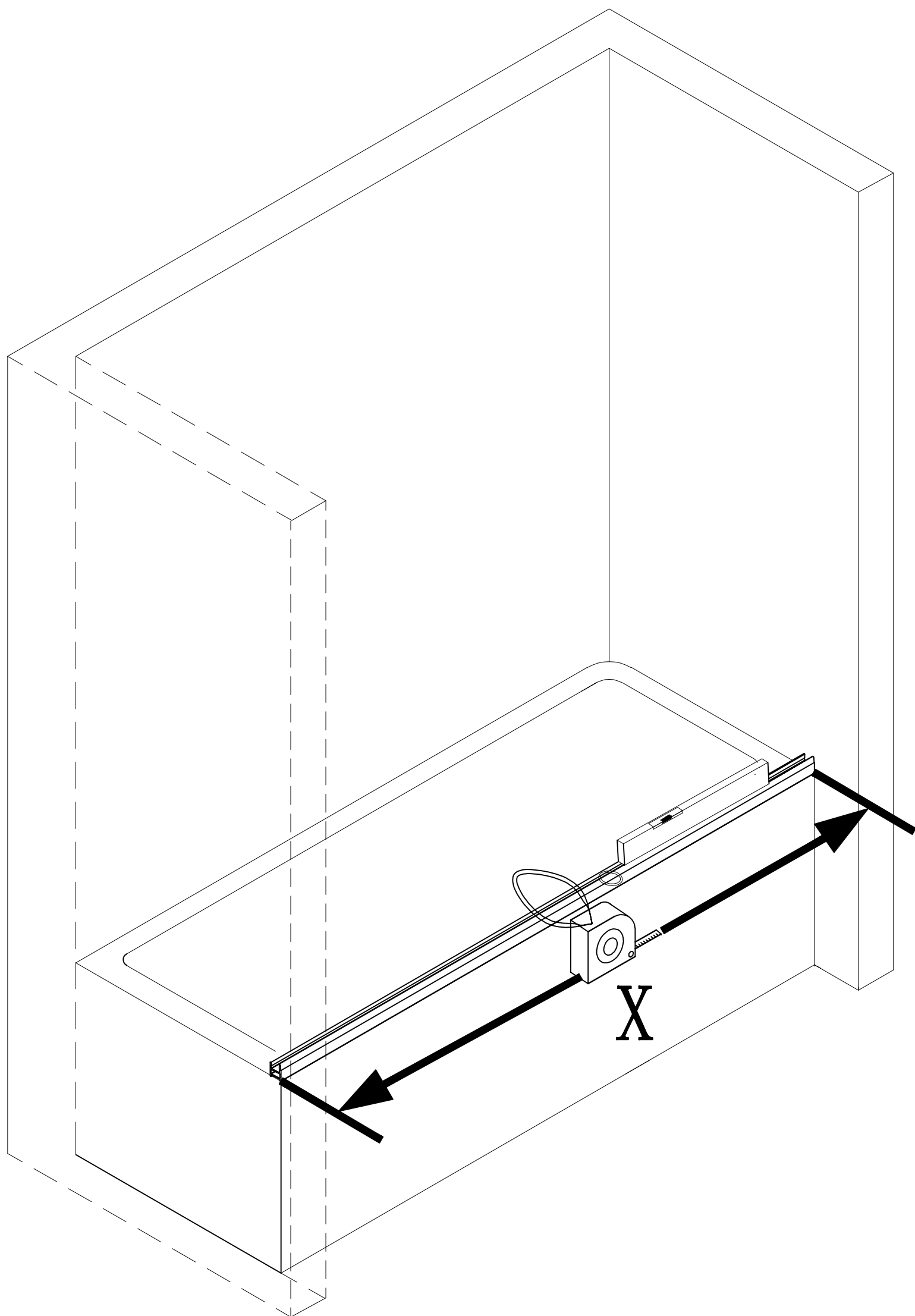
\*For 60" Shower Door your opening should be between 56-60" between the lines



# Left Hand Assembly

## STEP 2

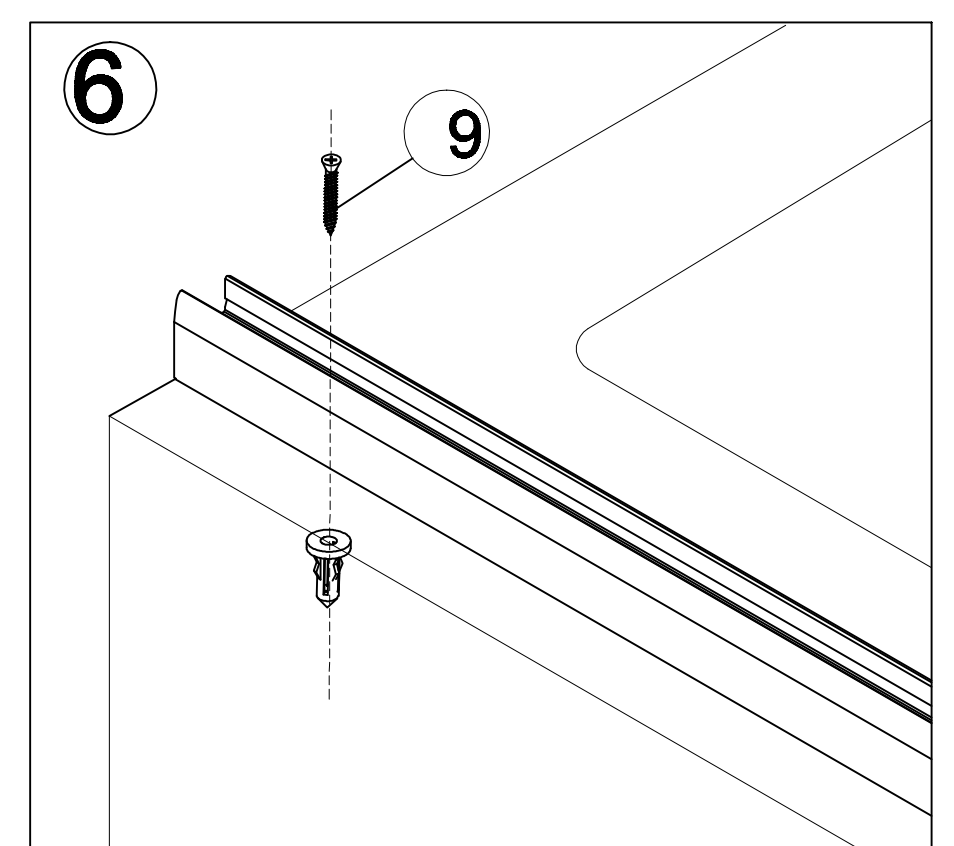
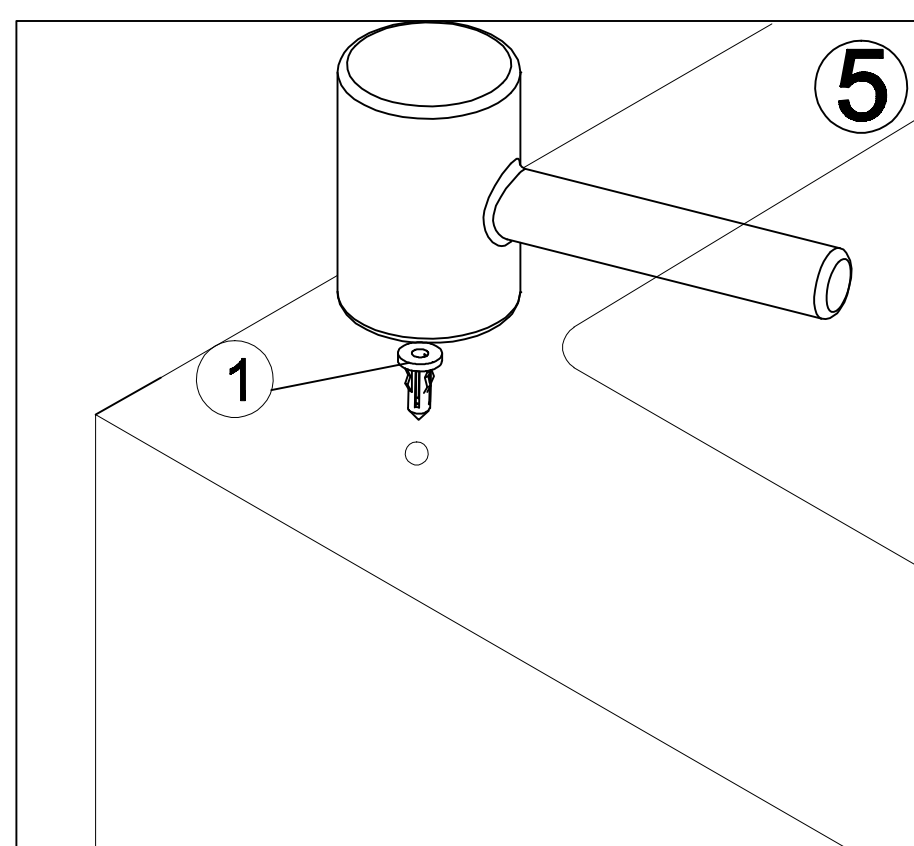
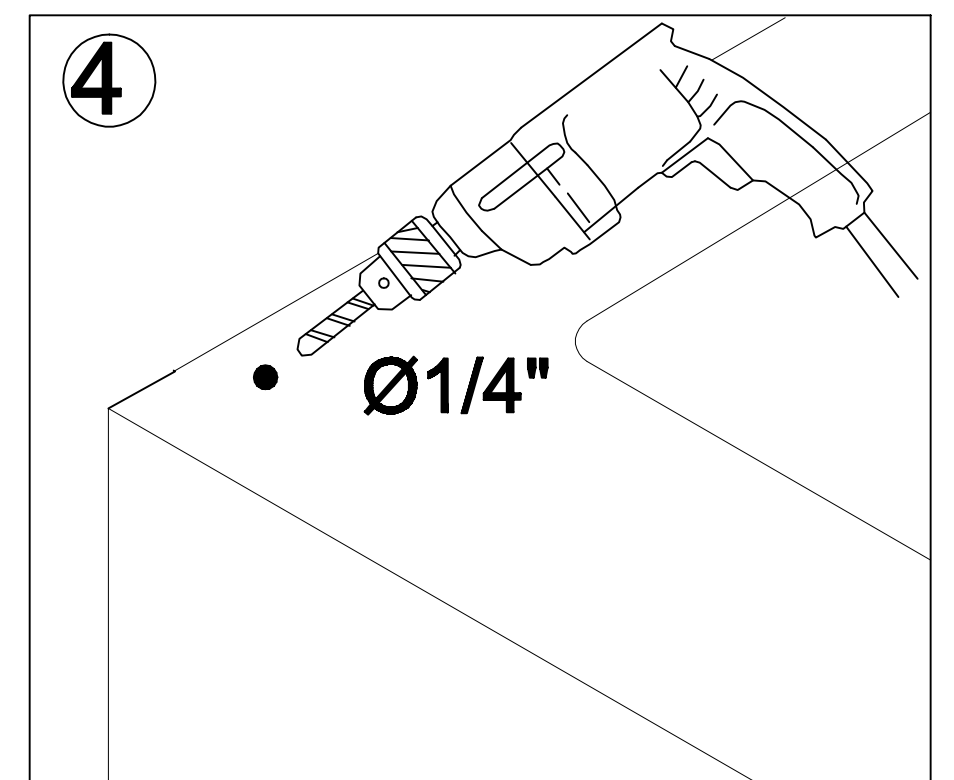
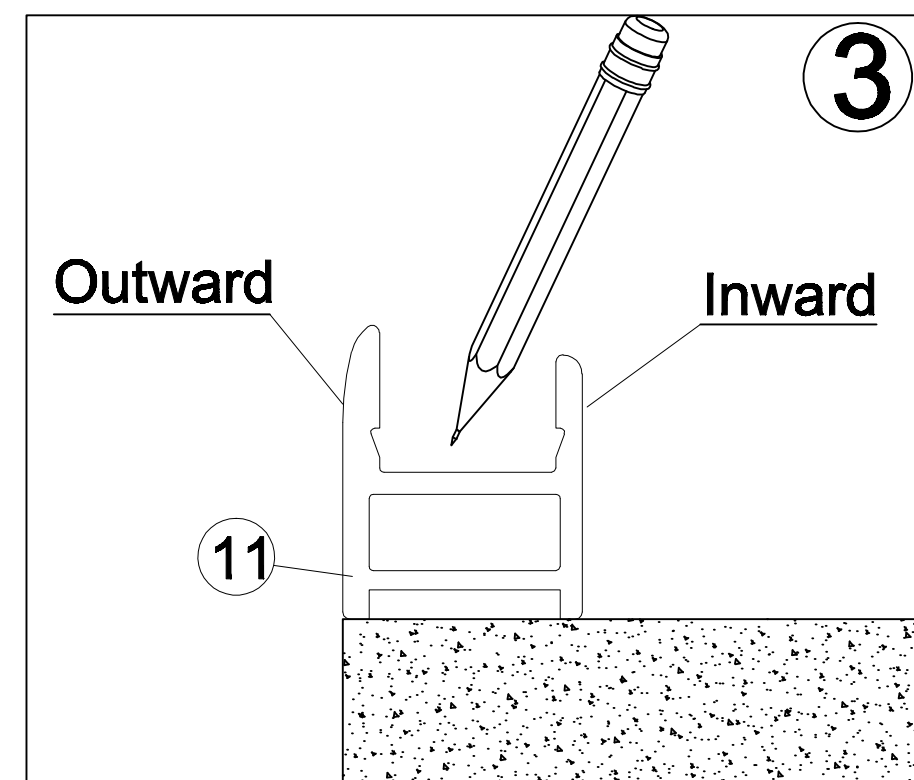
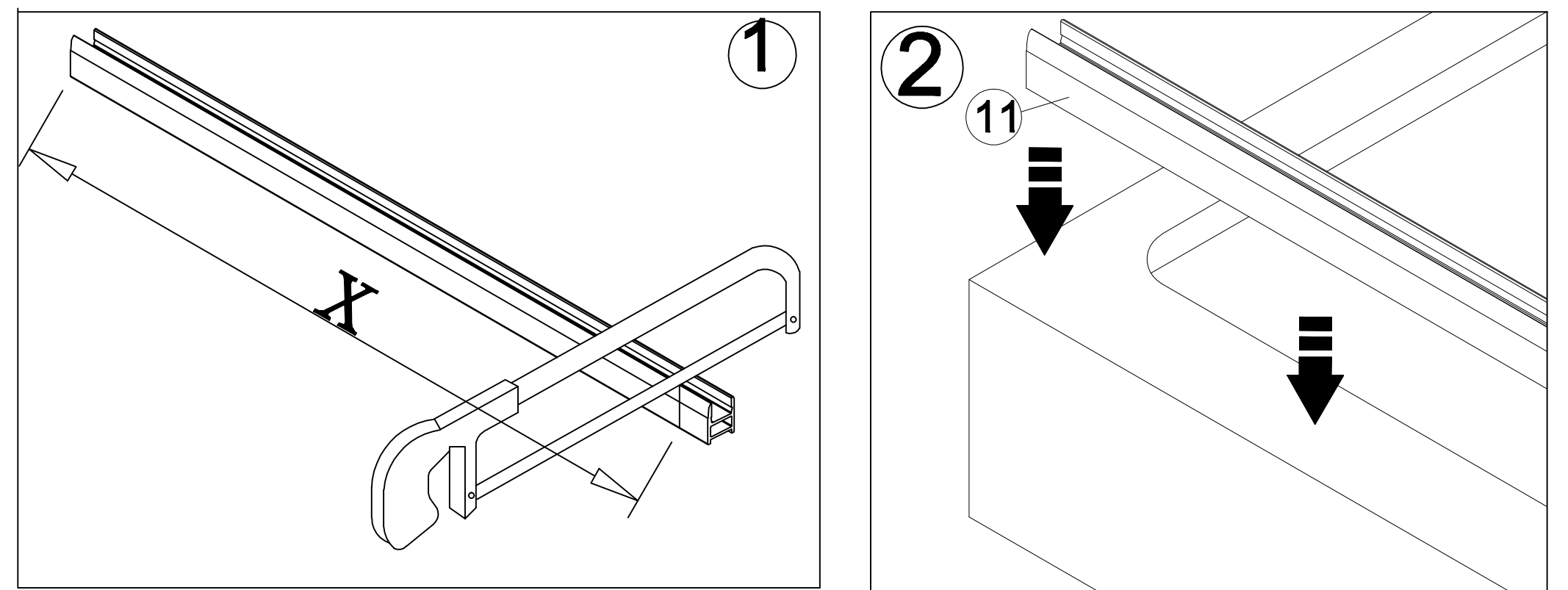
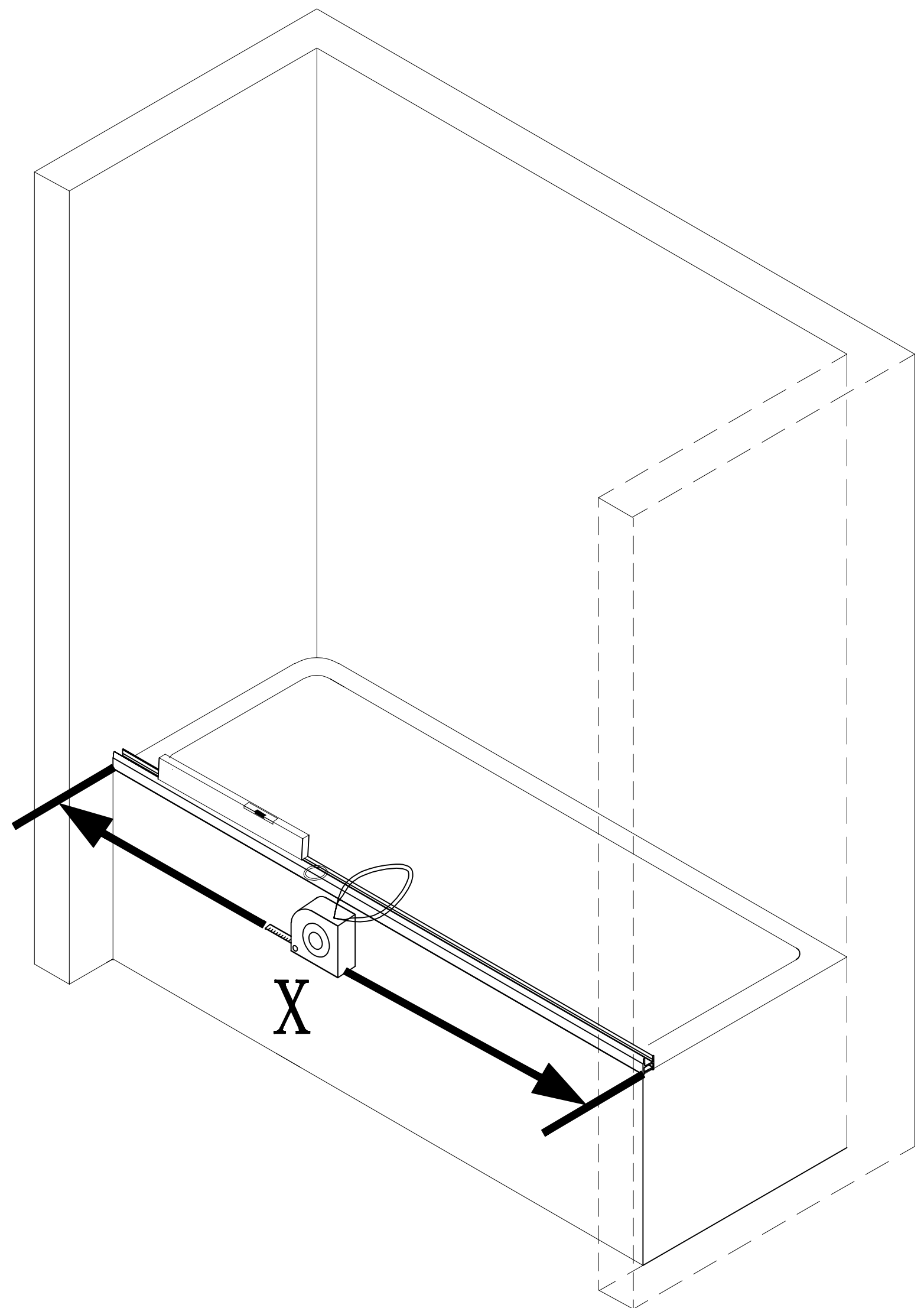
1. Have the higher edge of door bottom guide(11) towards outside, level it with level and mark the hole position with pencil.
2. Take away door bottom guide(11) and drill holes on the markings.
3. Hammer wall anchors(1) into holes.
4. Secure door bottom guide(11) with self-tapping screws 4X20(9).



# Right Hand Assembly

## STEP 2

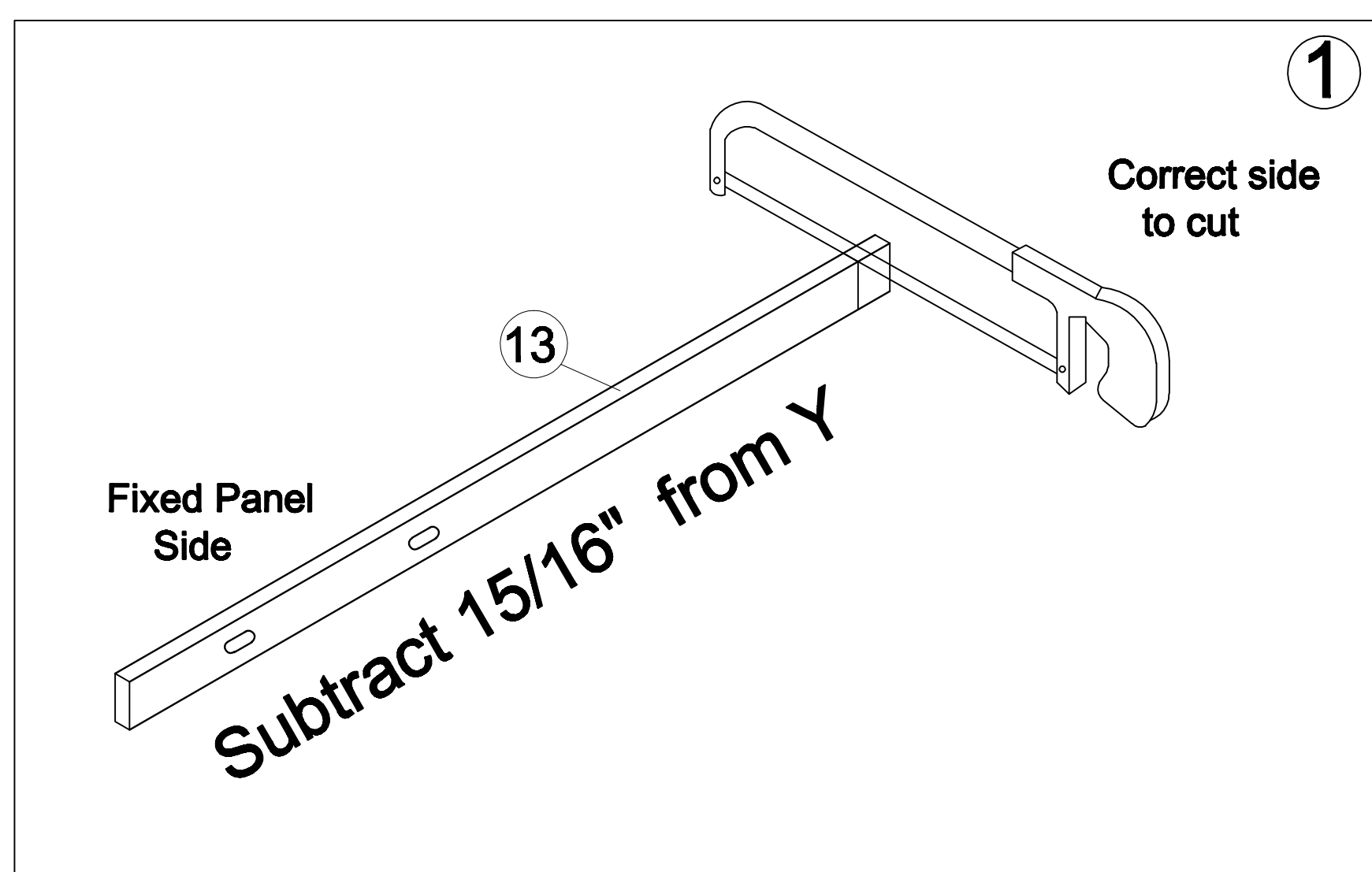
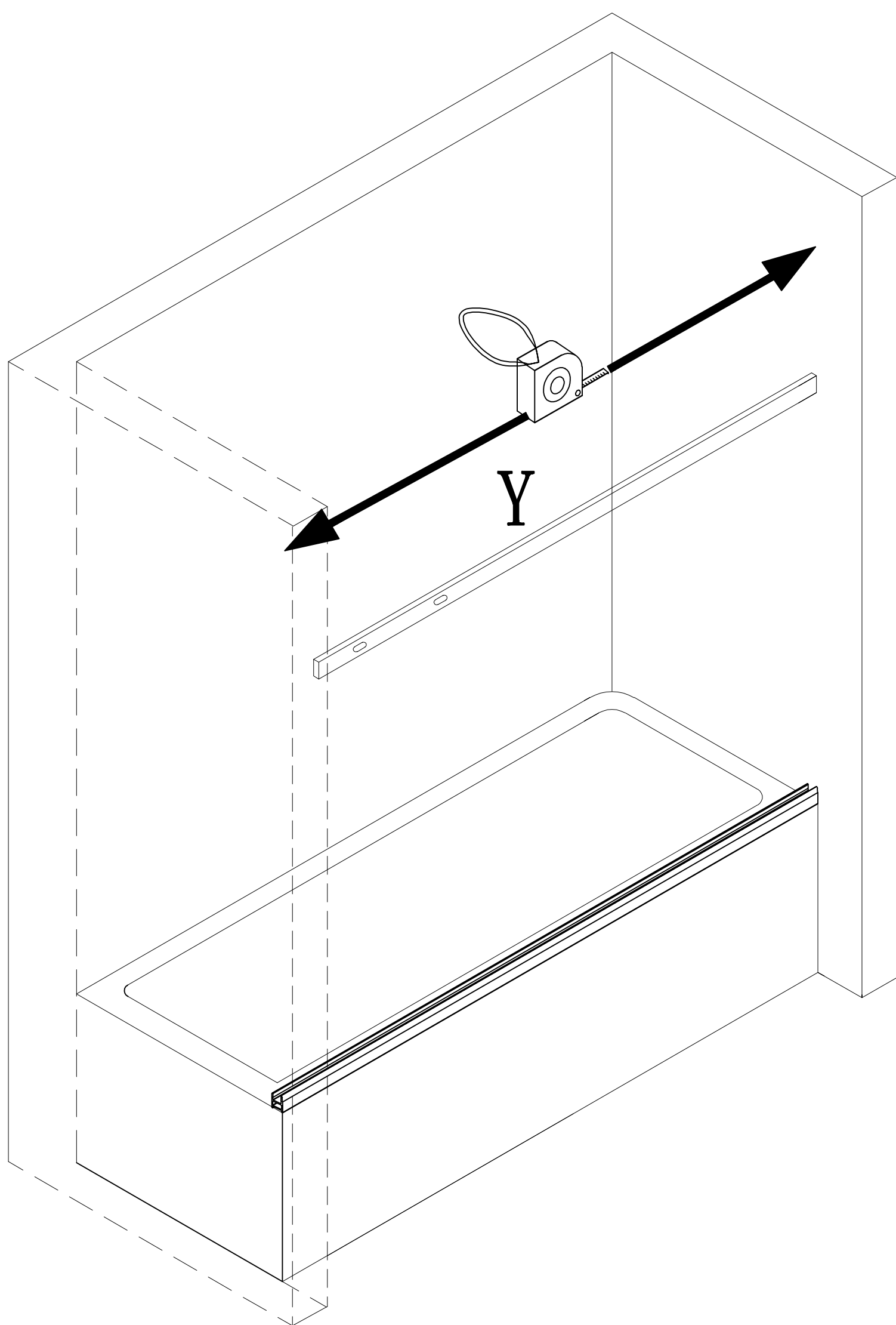
1. Have the higher edge of door bottom guide(11) towards outside, level it with level and mark the hole position with pencil.
2. Take away door bottom guide(11) and drill holes on the markings.
3. Hammer wall anchors(1) into holes.
4. Secure door bottom guide(11) with self-tapping screws 4X20(9).



## Left Hand Assembly

### STEP 3

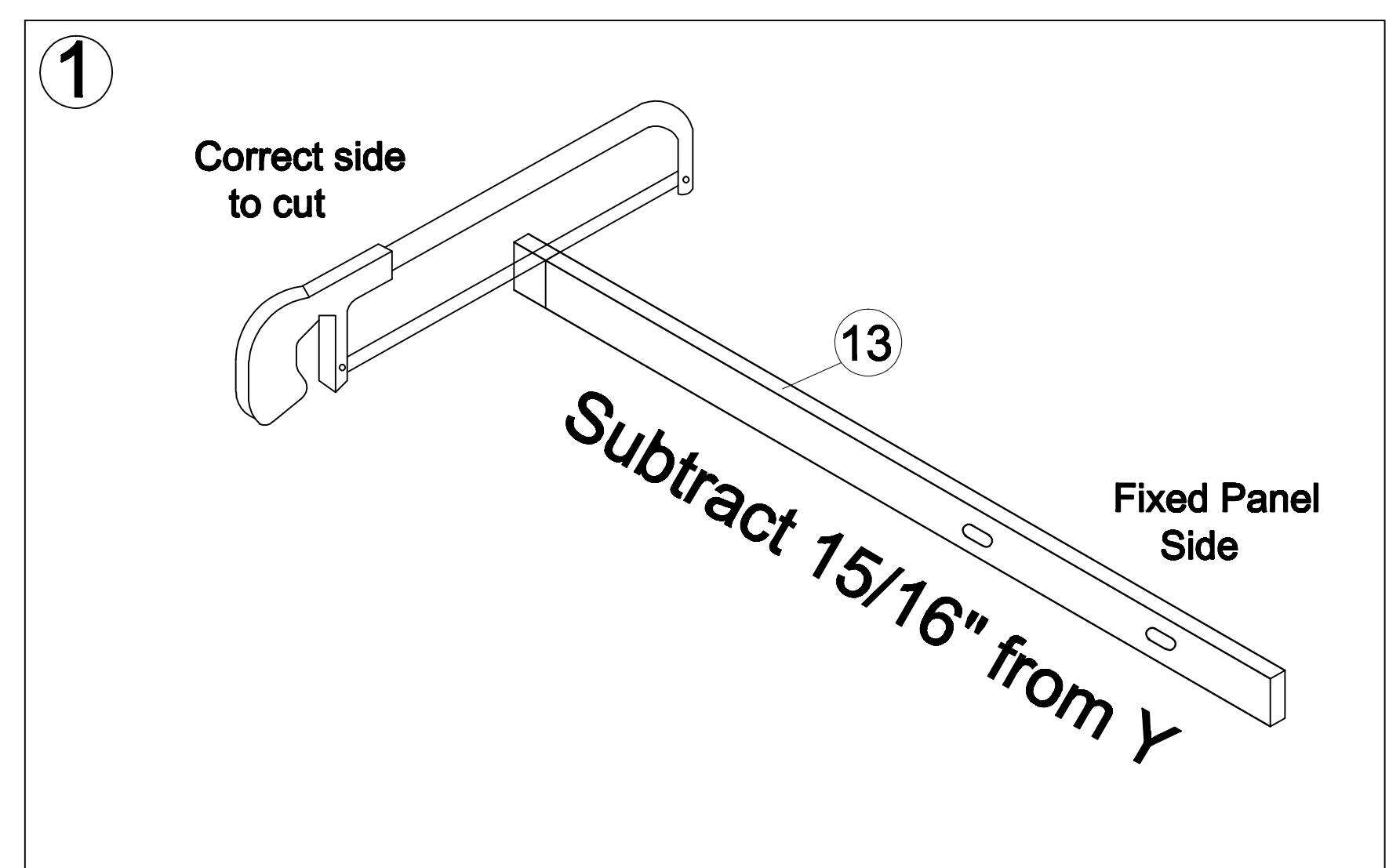
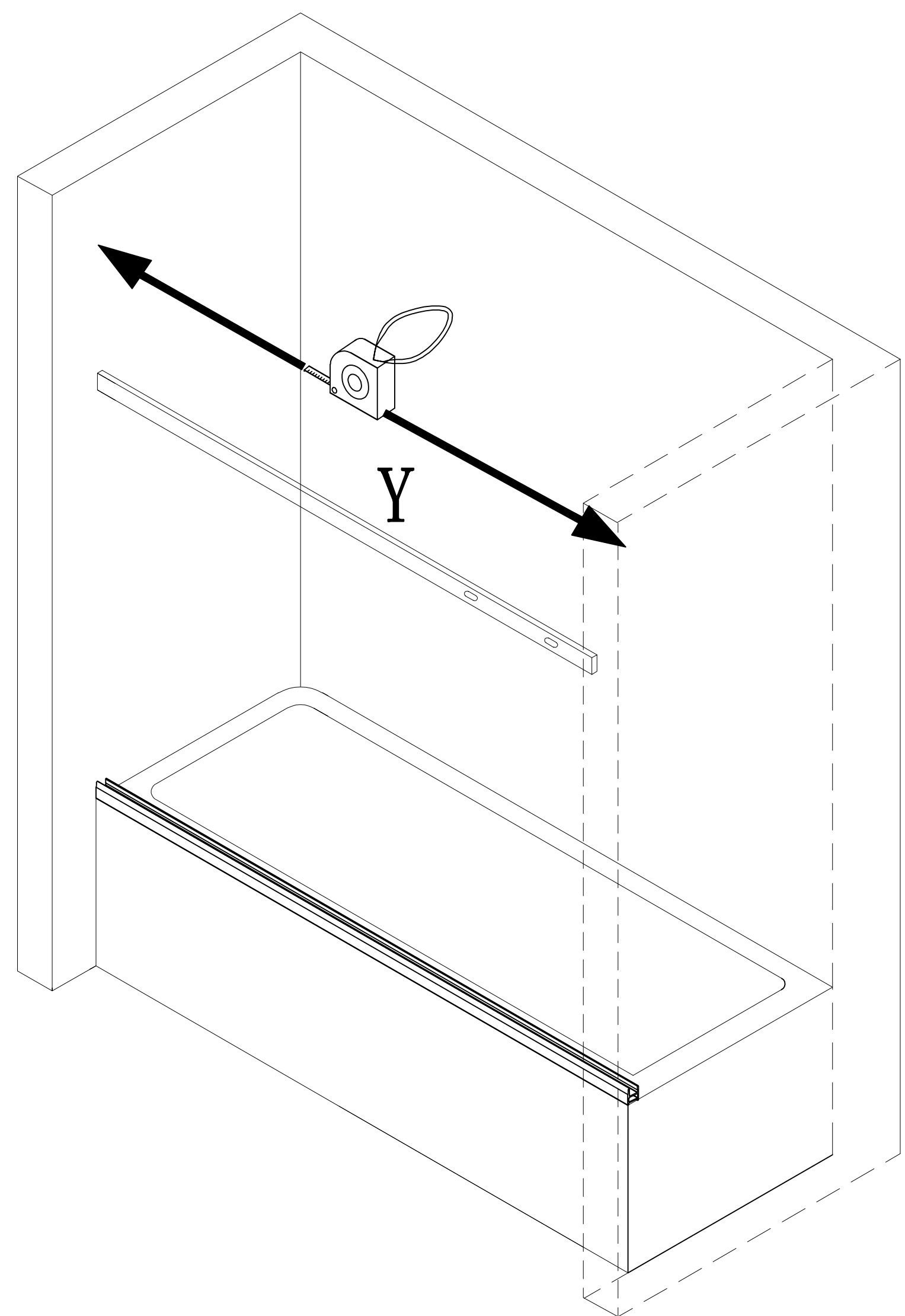
1. Measure the distance between walls where the Top Rail (13) will be installed. Cut the Top Rail opposite of the Fixed Panel side, according to the measurement Y minus 15/16".



## Right Hand Assembly

### STEP 3

1. Measure the distance between walls where the Top Rail (13) will be installed. Cut the Top Rail opposite of the Fixed Panel side, according to the measurement Y minus 15/16".



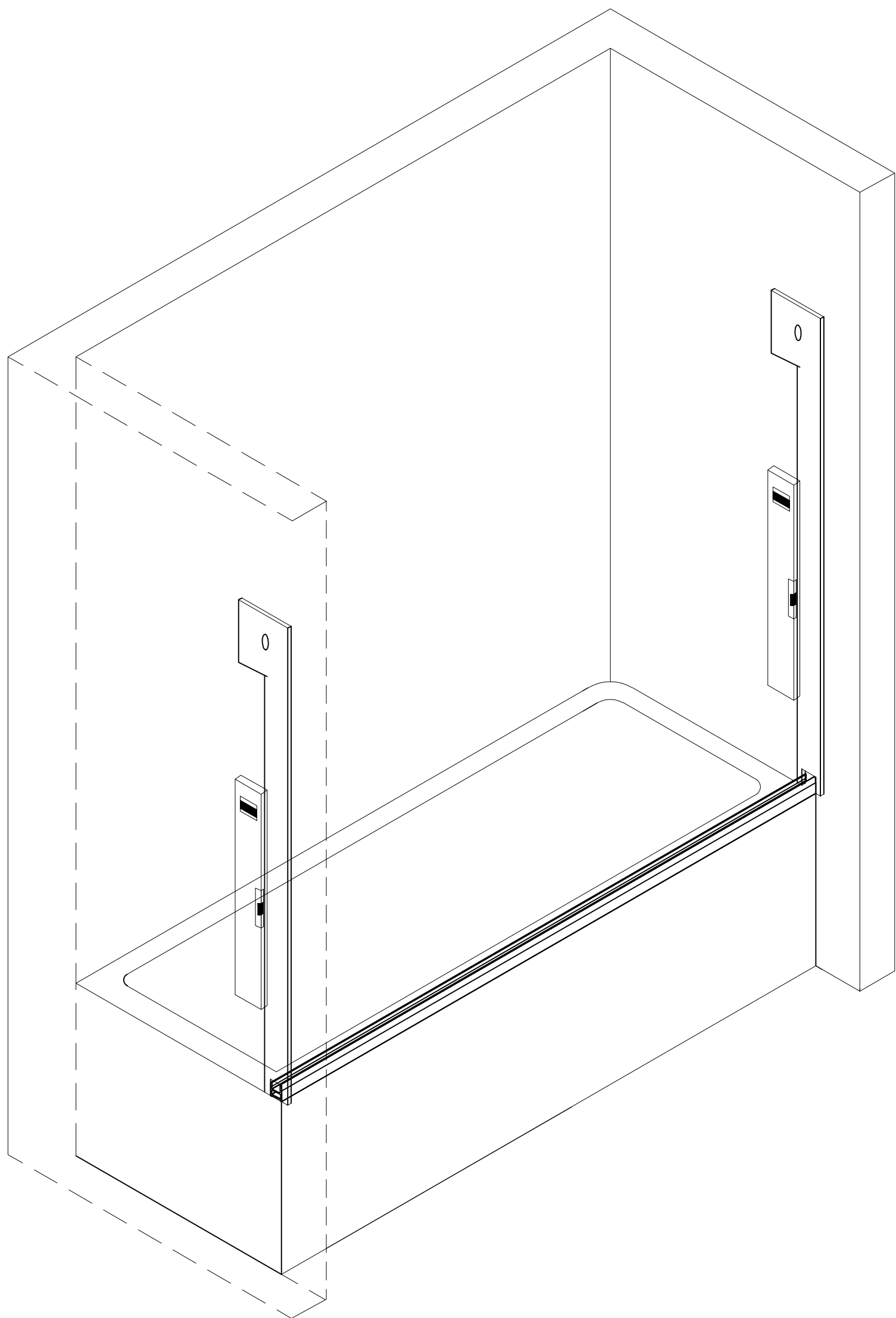
# Left Hand Assembly

## STEP 4

1. Position the template(20) against the wall, the bottom of the template should be over the Door Bottom Guide(11) .

2. Use the level to make sure the template vertically straight. Mark the hole position with a pencil. Repeat the process on the opposite side.

3. Please refer to pictures at the end of instructions for clarity.



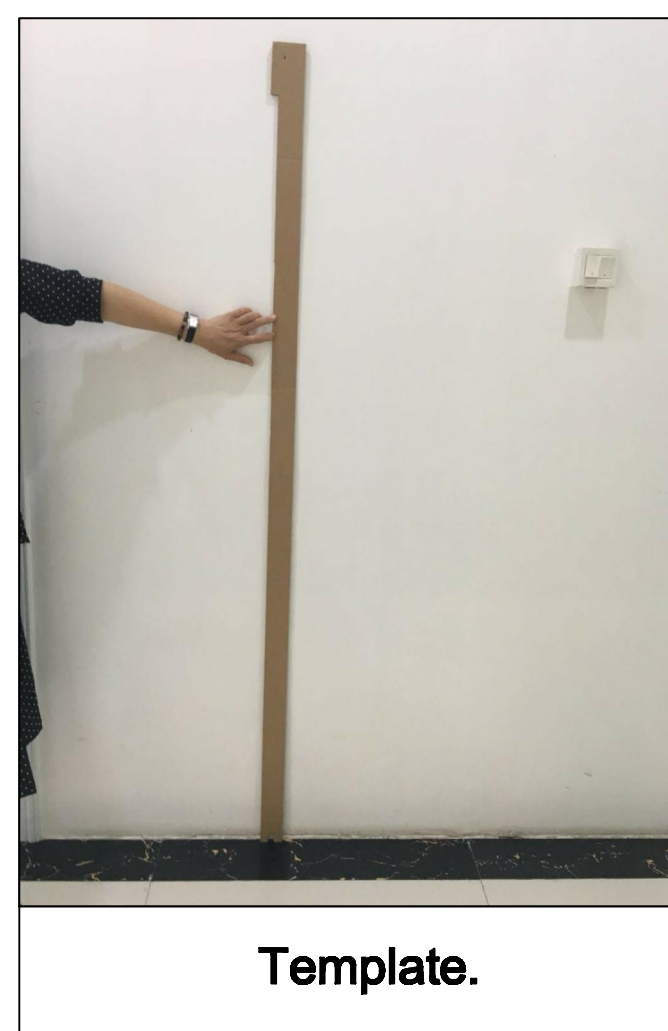
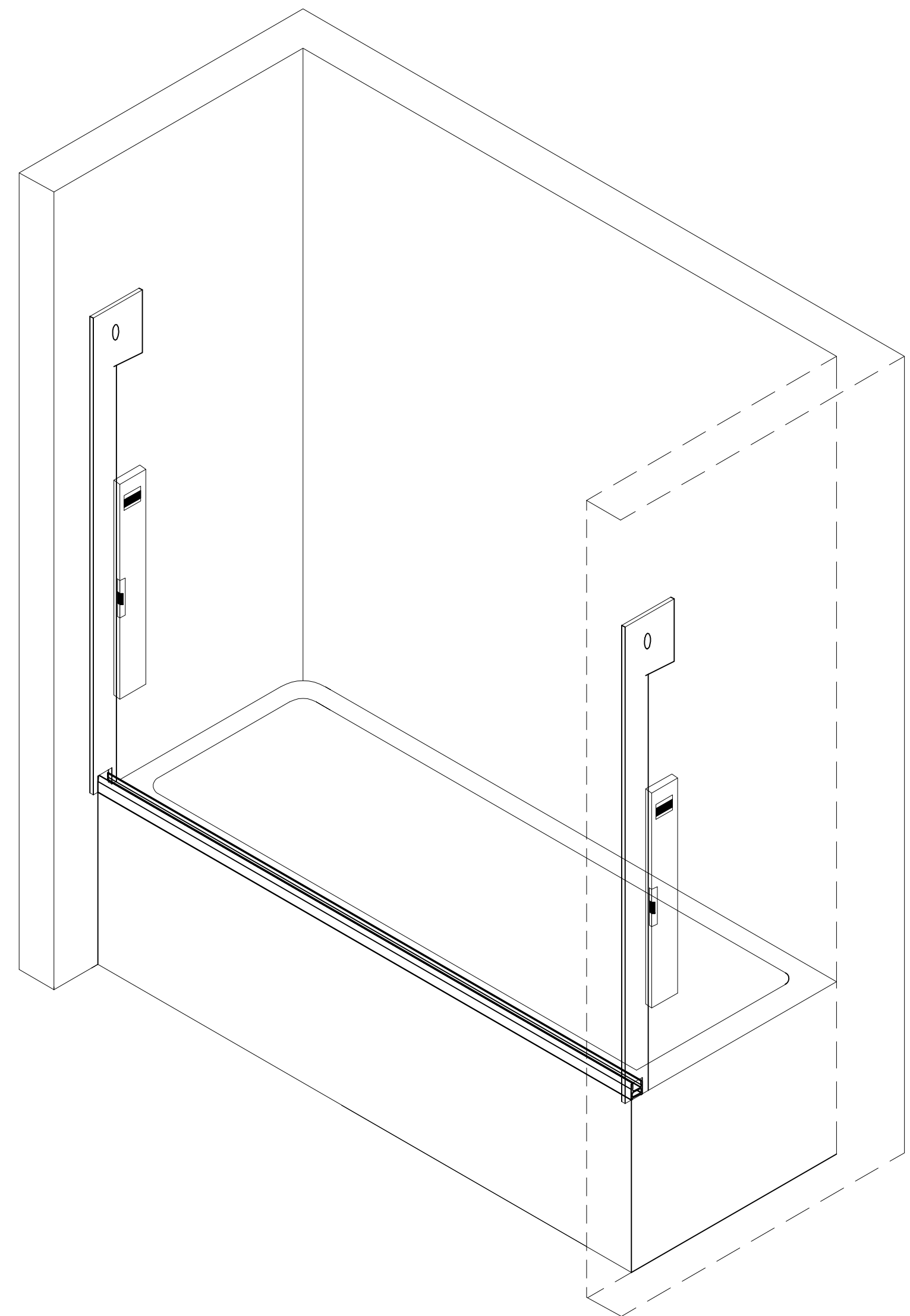
# Right Hand Assembly

## STEP 4

1. Position the template(20) against the wall, the bottom of the template should be over the Door Bottom Guide(11) .

2. Use the level to make sure the template vertically straight. Mark the hole position with a pencil. Repeat the process on the opposite side.

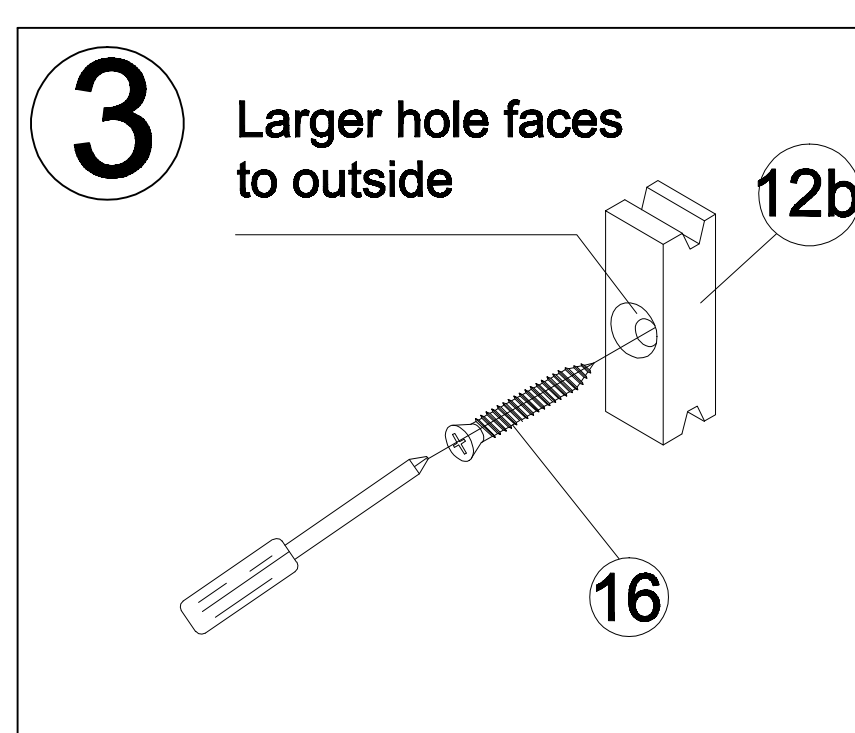
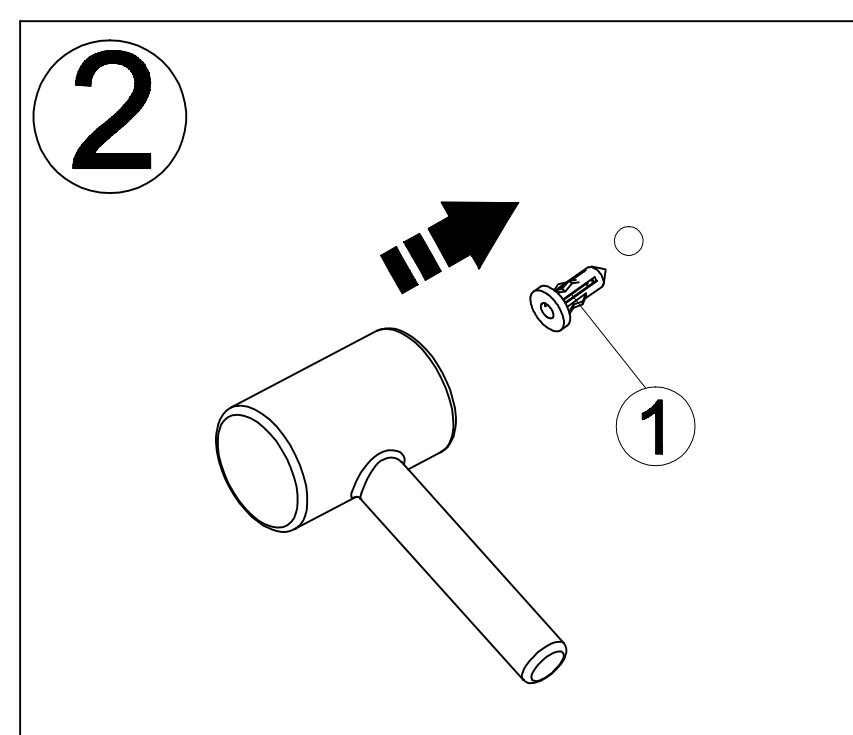
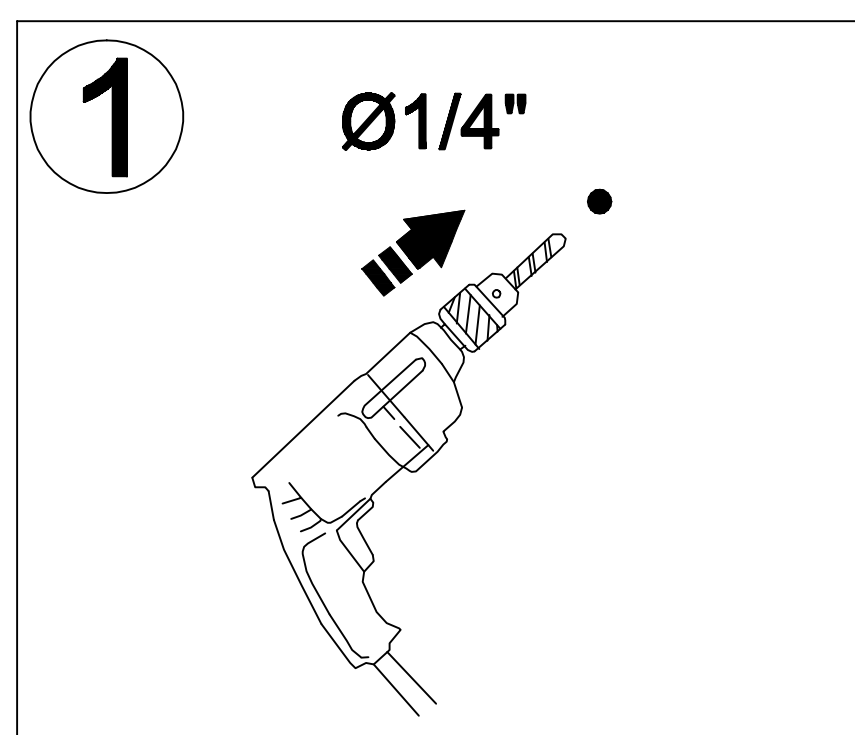
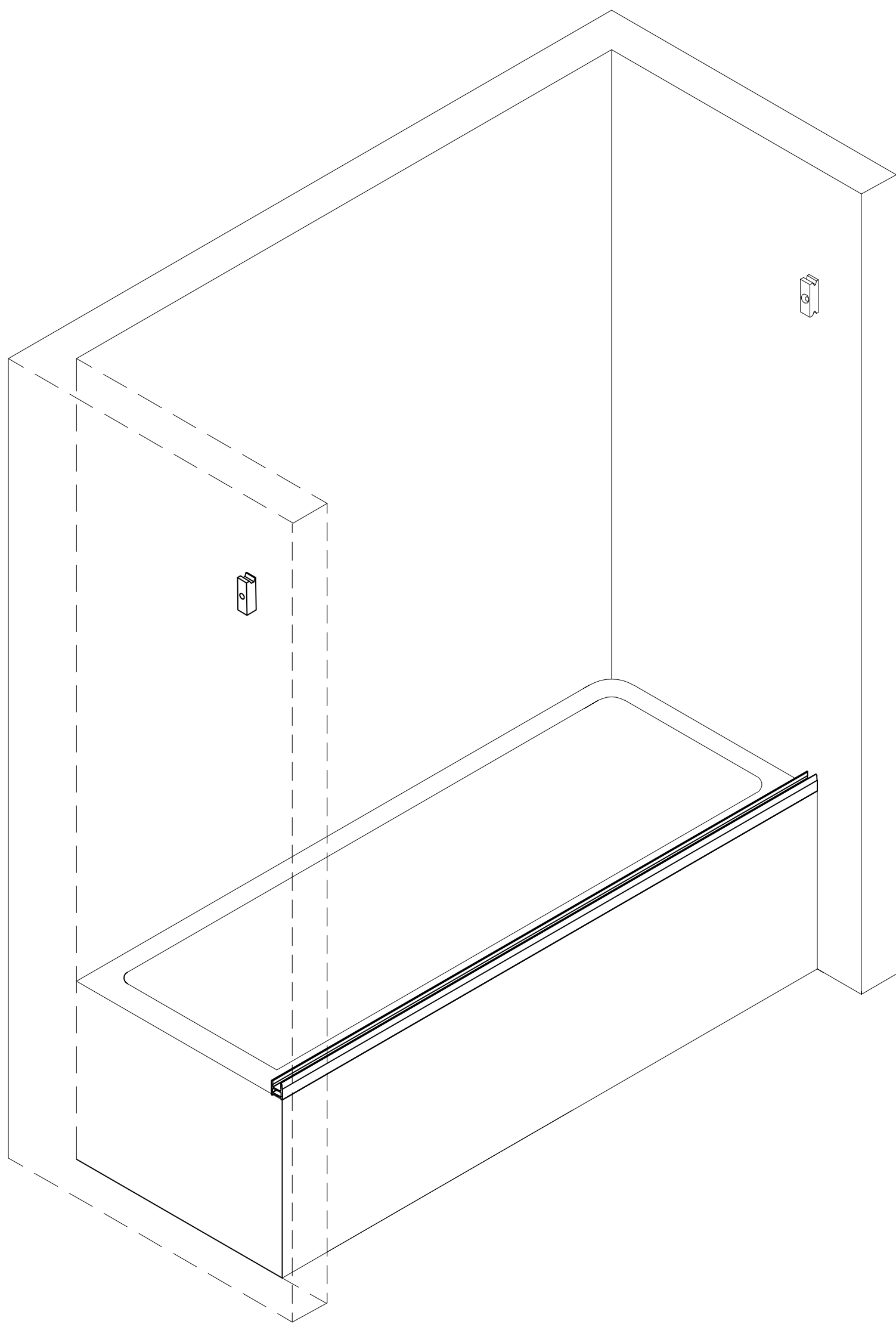
3. Please refer to pictures at the end of instructions for clarity.



## Left Hand Assembly

### STEP 5

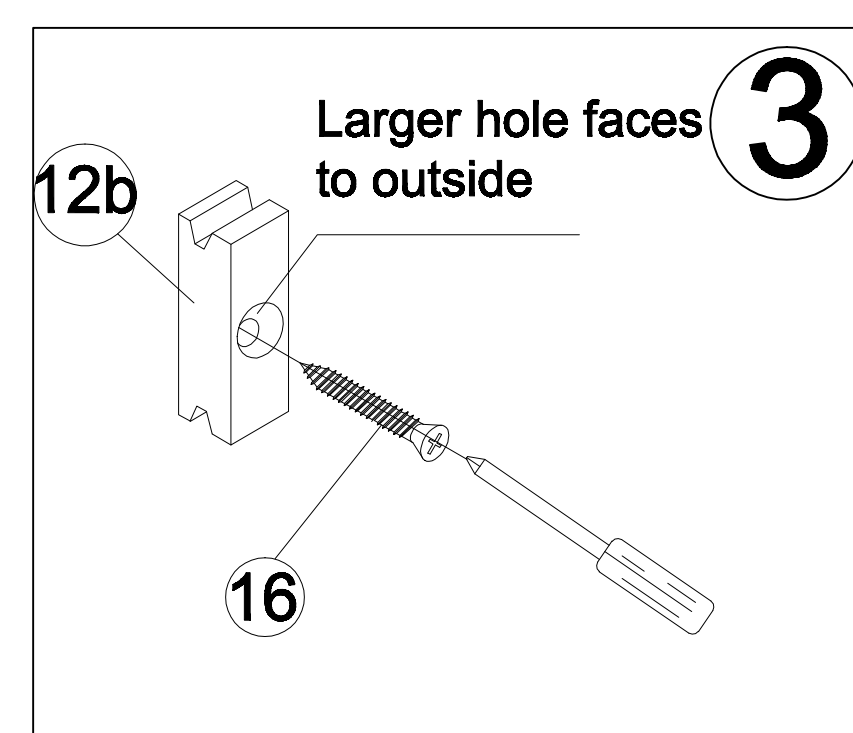
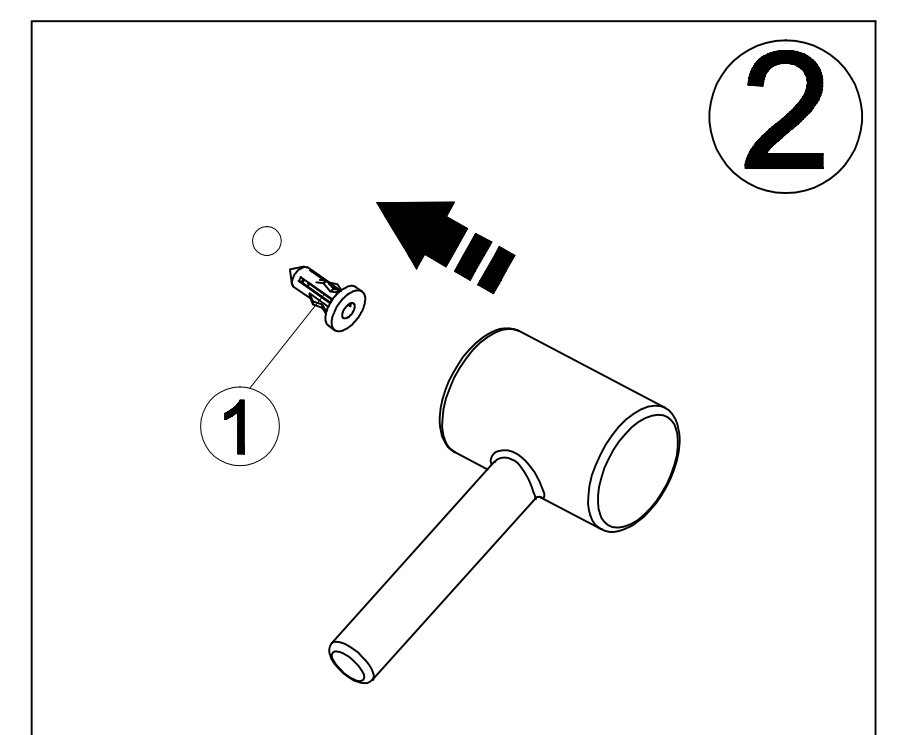
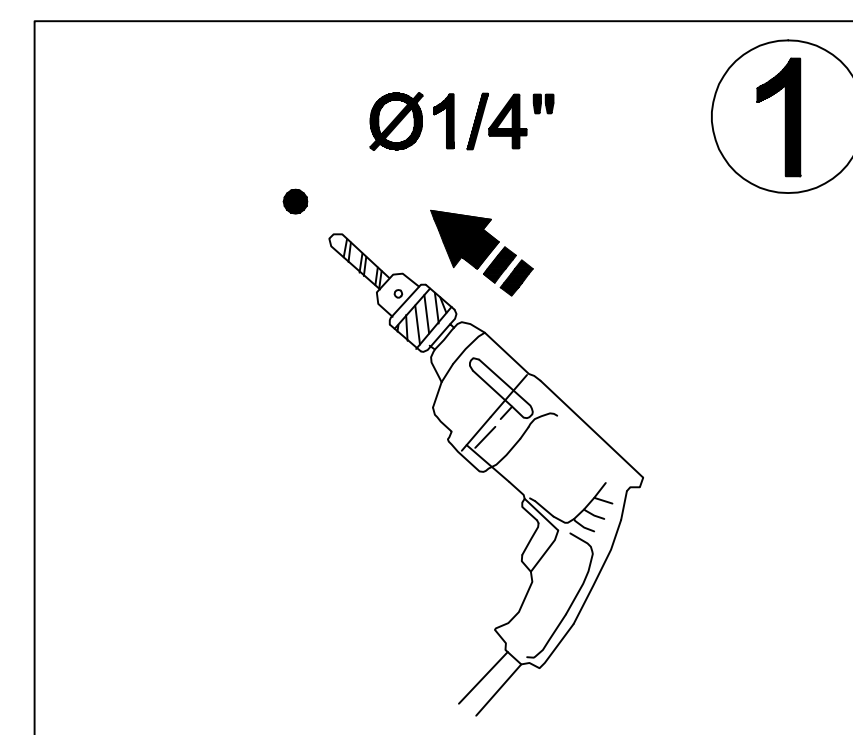
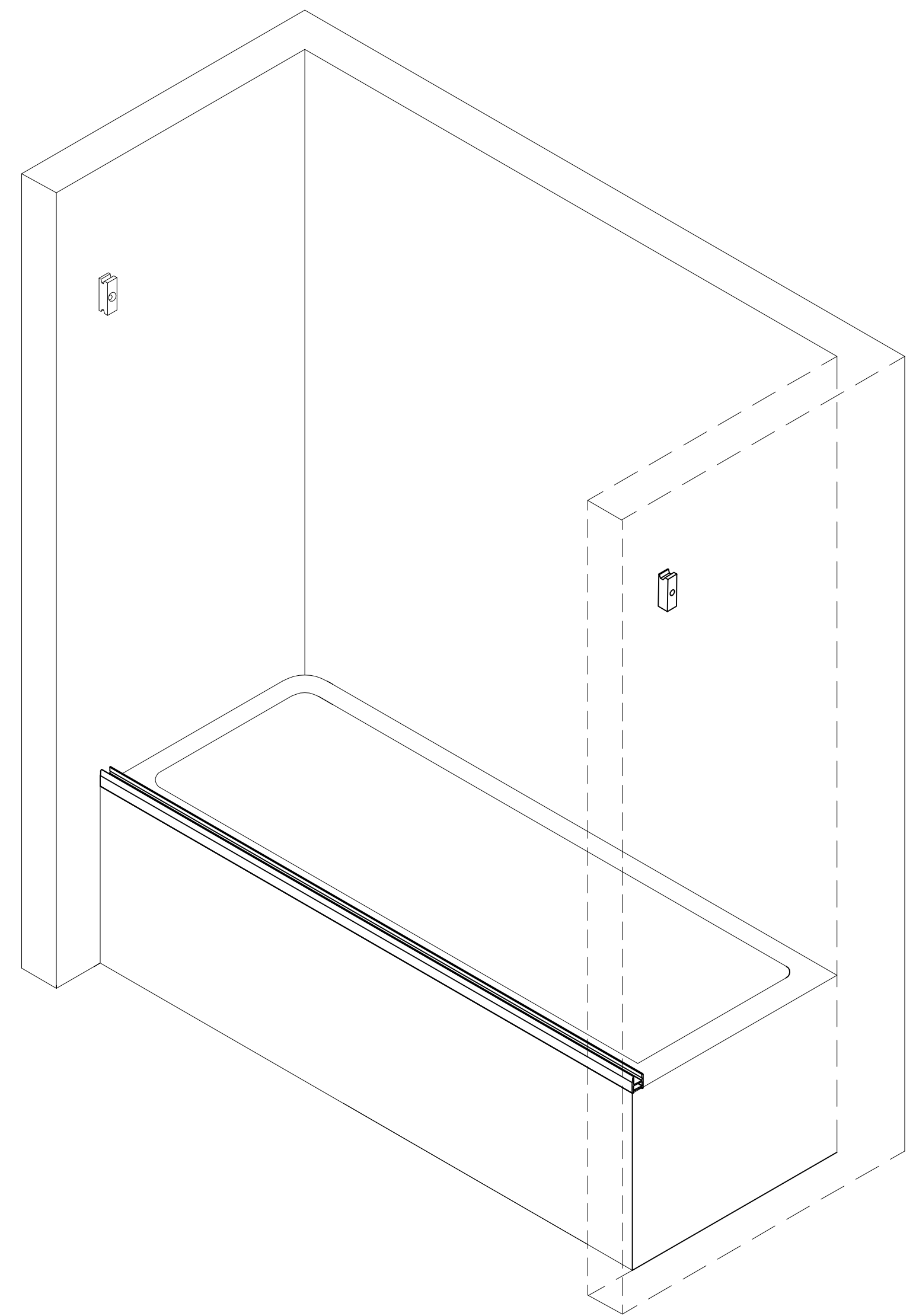
1. Drill a hole on the mark with 1/4" drill bit.
2. Hammer the anchor into the hole.
3. Use one of the 1 1/4" self tapping screws(16) to secure Rail Wall Connector(12b) onto the wall. Insert self-tapping screw through the larger hole that faces outward.



## Right Hand Assembly

### STEP 5

1. Drill a hole on the mark with 1/4" drill bit.
2. Hammer the anchor into the hole.
3. Use one of the 1 1/4" self tapping screws(16) to secure Rail Wall Connector(12b) onto the wall. Insert self-tapping screw through the larger hole that faces outward.

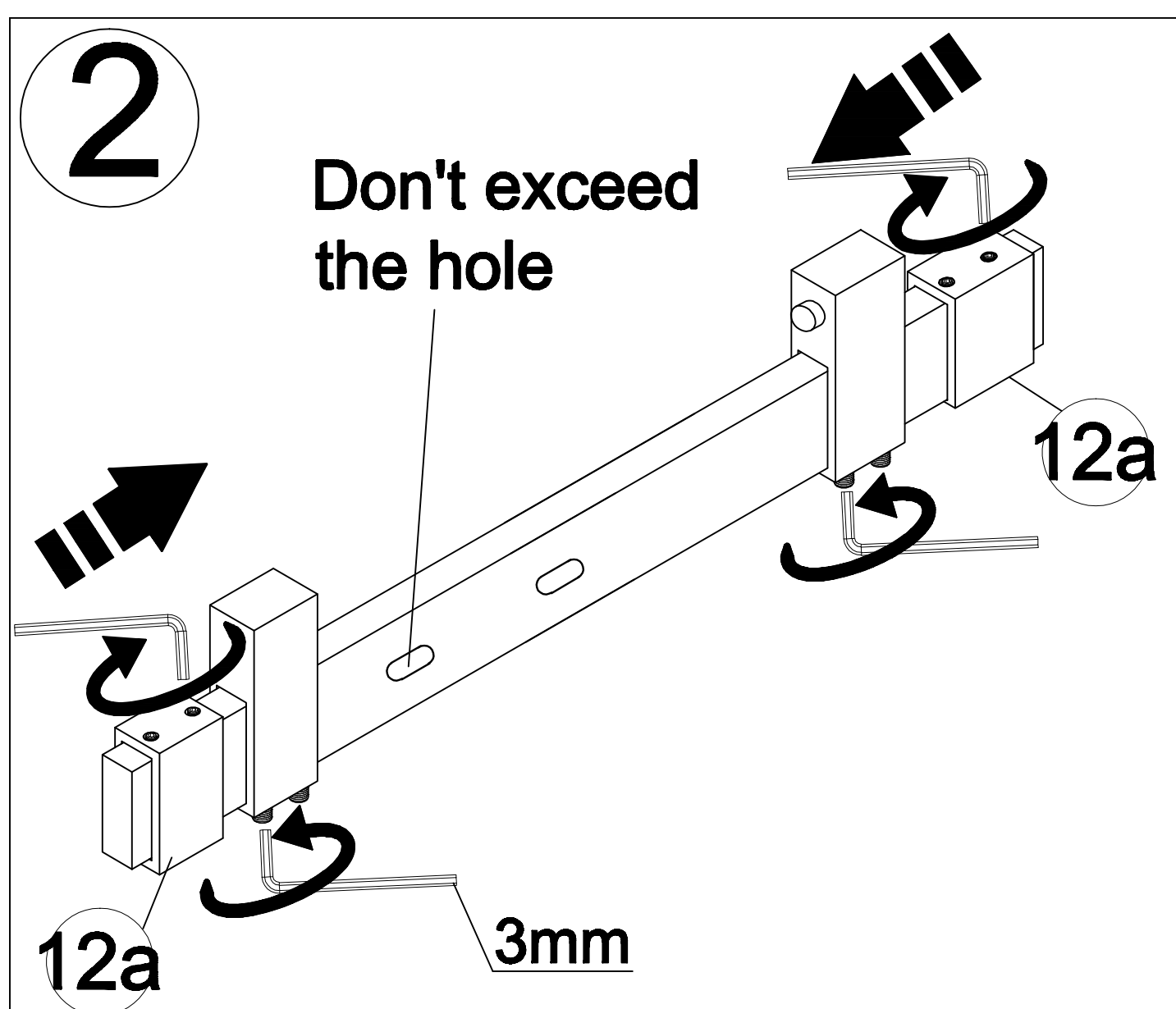
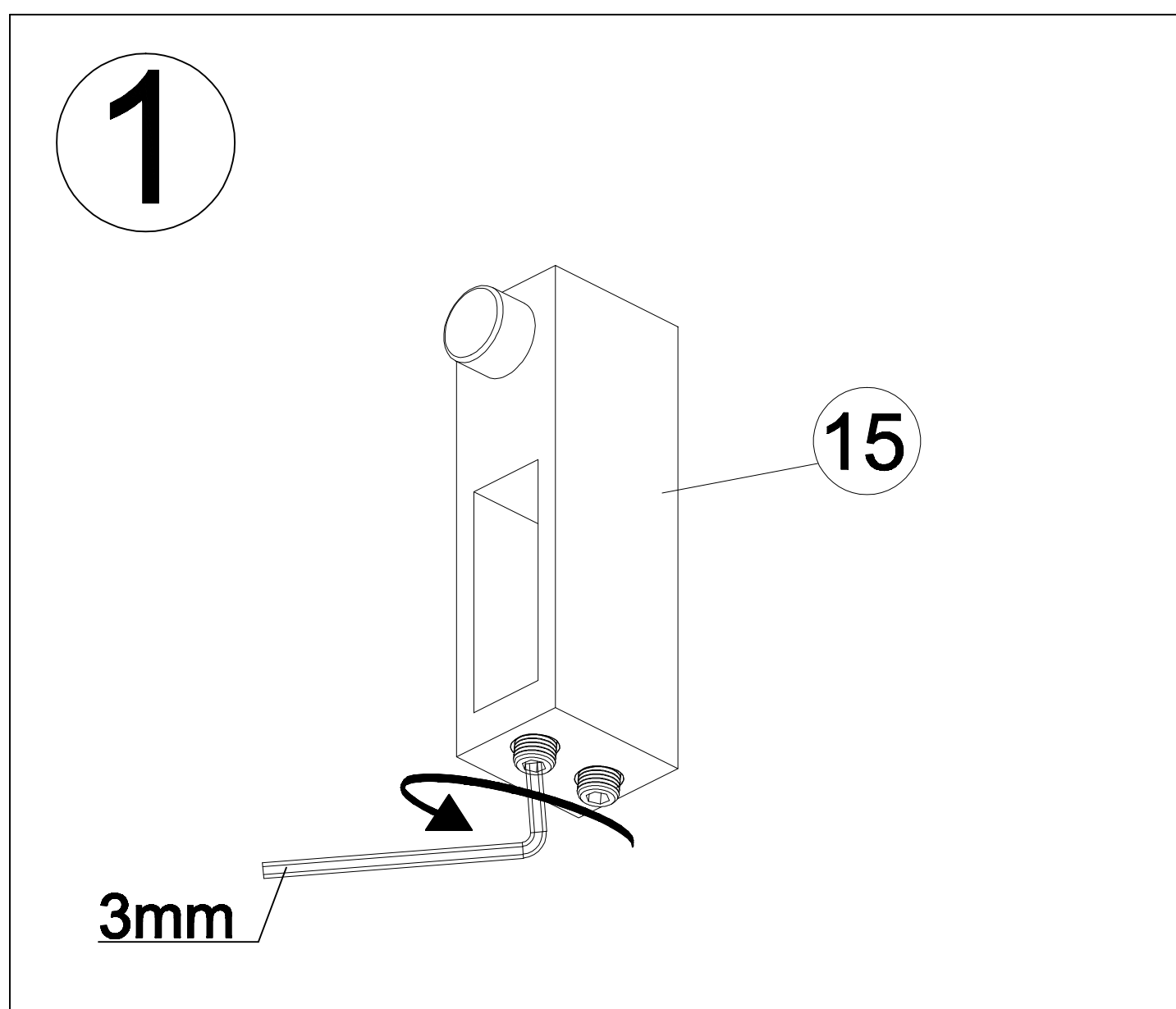
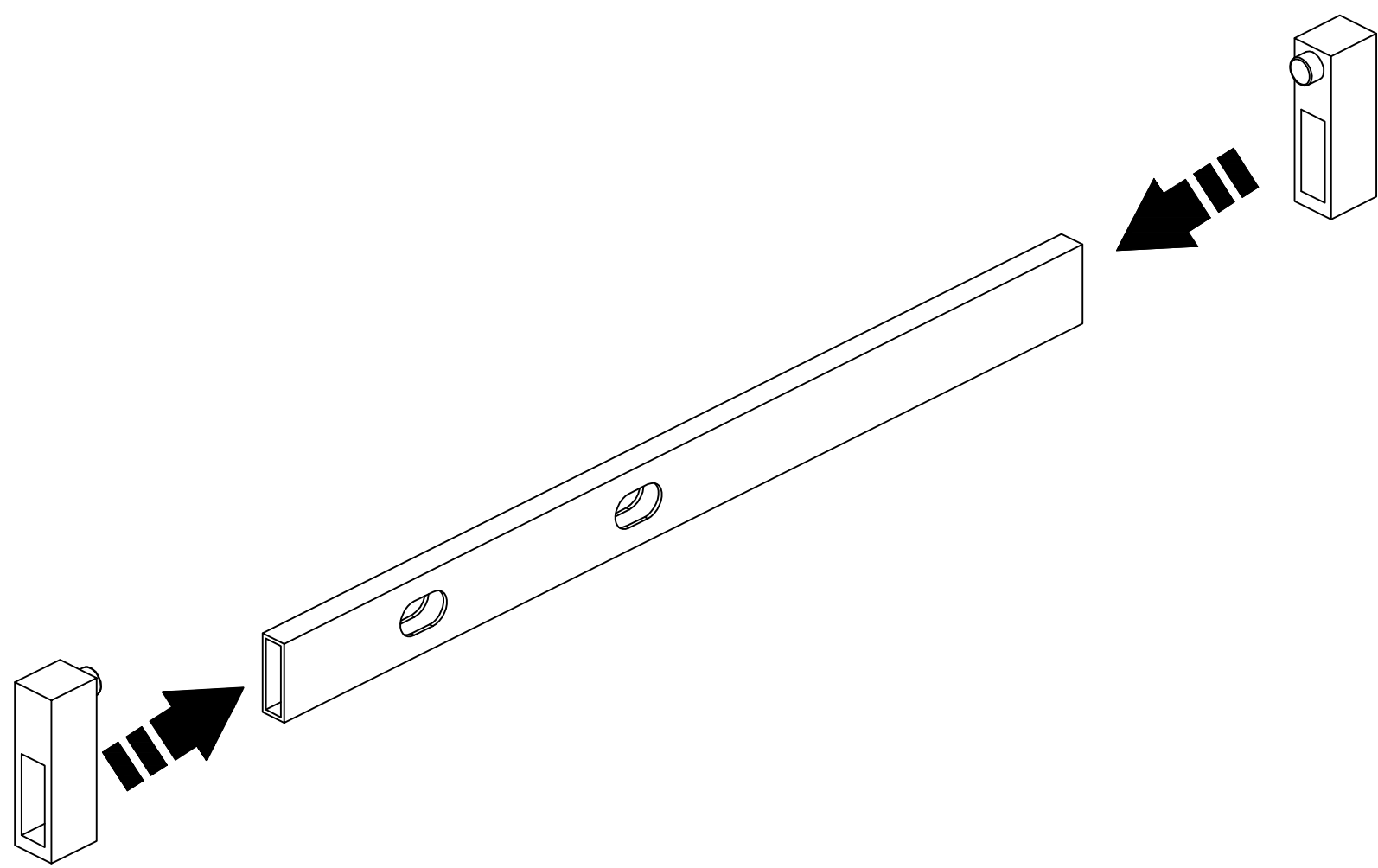


## Left Hand Assembly

### STEP 6

1. Install the 2 Door Bumpers(15) onto the Top Rail(13). Insert Rail Wall Brackets(12a) on both sides of the Top Rail.

2. Use the 3mm Allen Wrench to secure them by tightening the screws on the bottom.

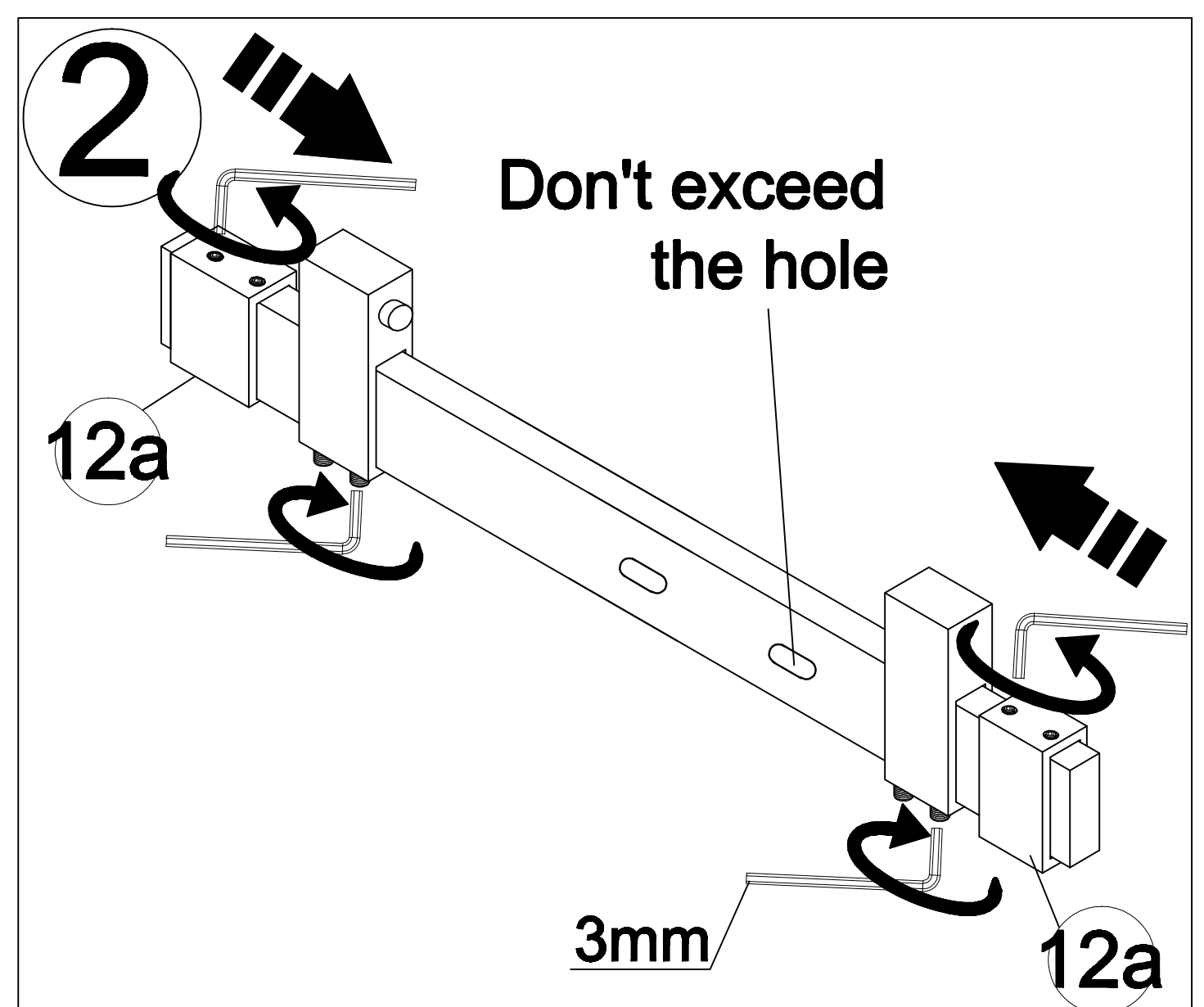
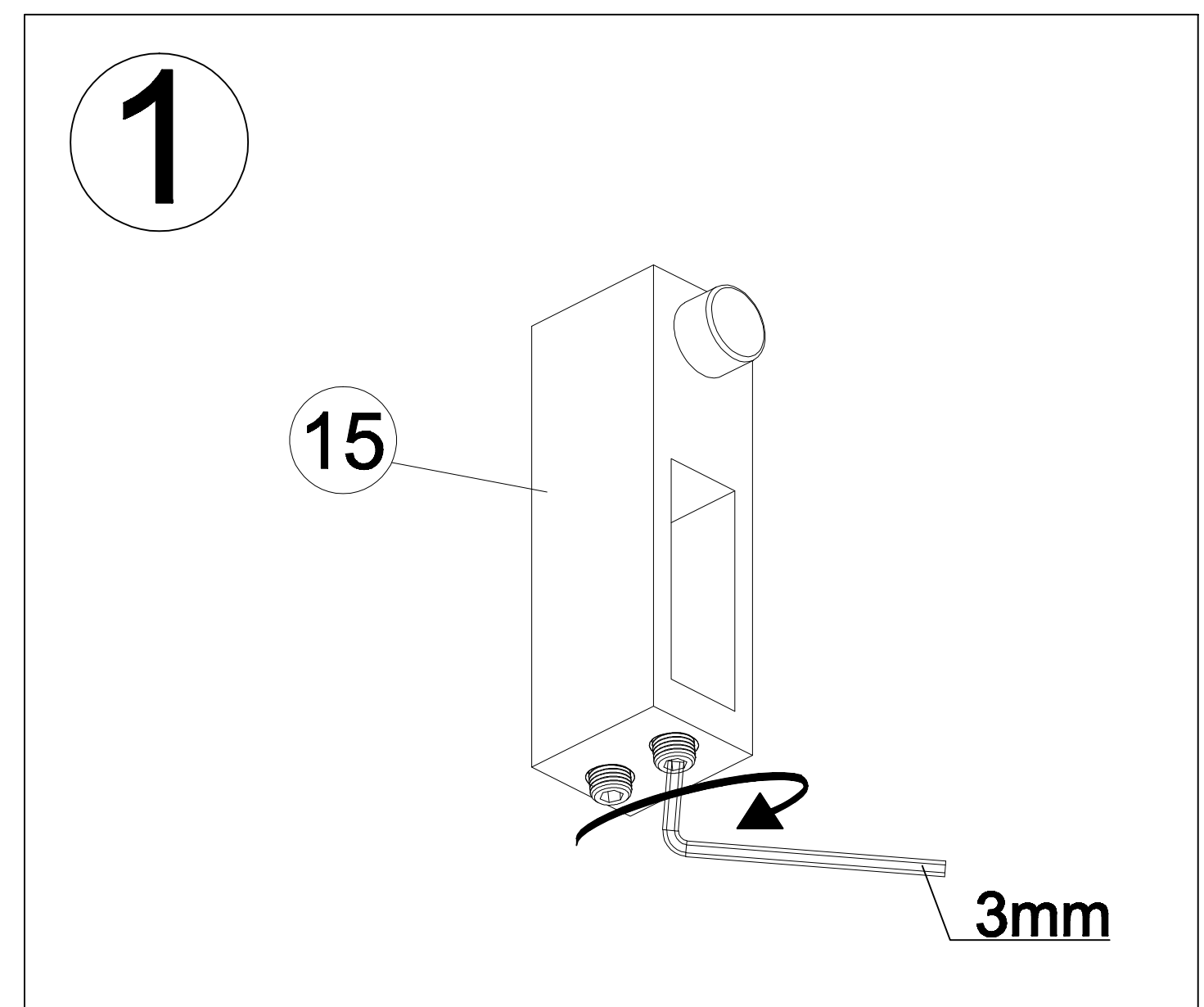
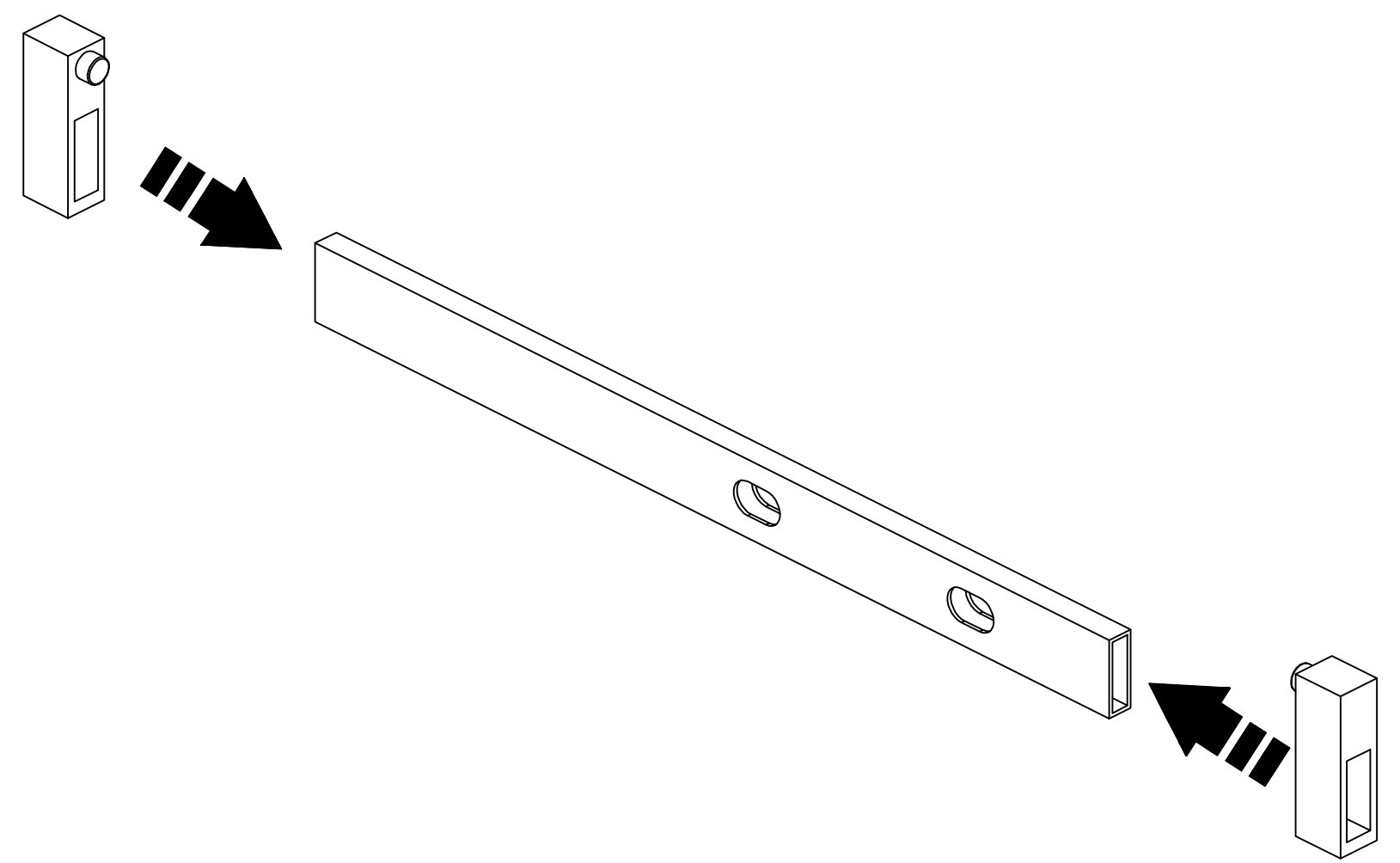


## Right Hand Assembly

### STEP 6

1. Install the 2 Door Bumpers(15) onto the Top Rail(13). Insert Rail Wall Brackets(12a) on both sides of the Top Rail.

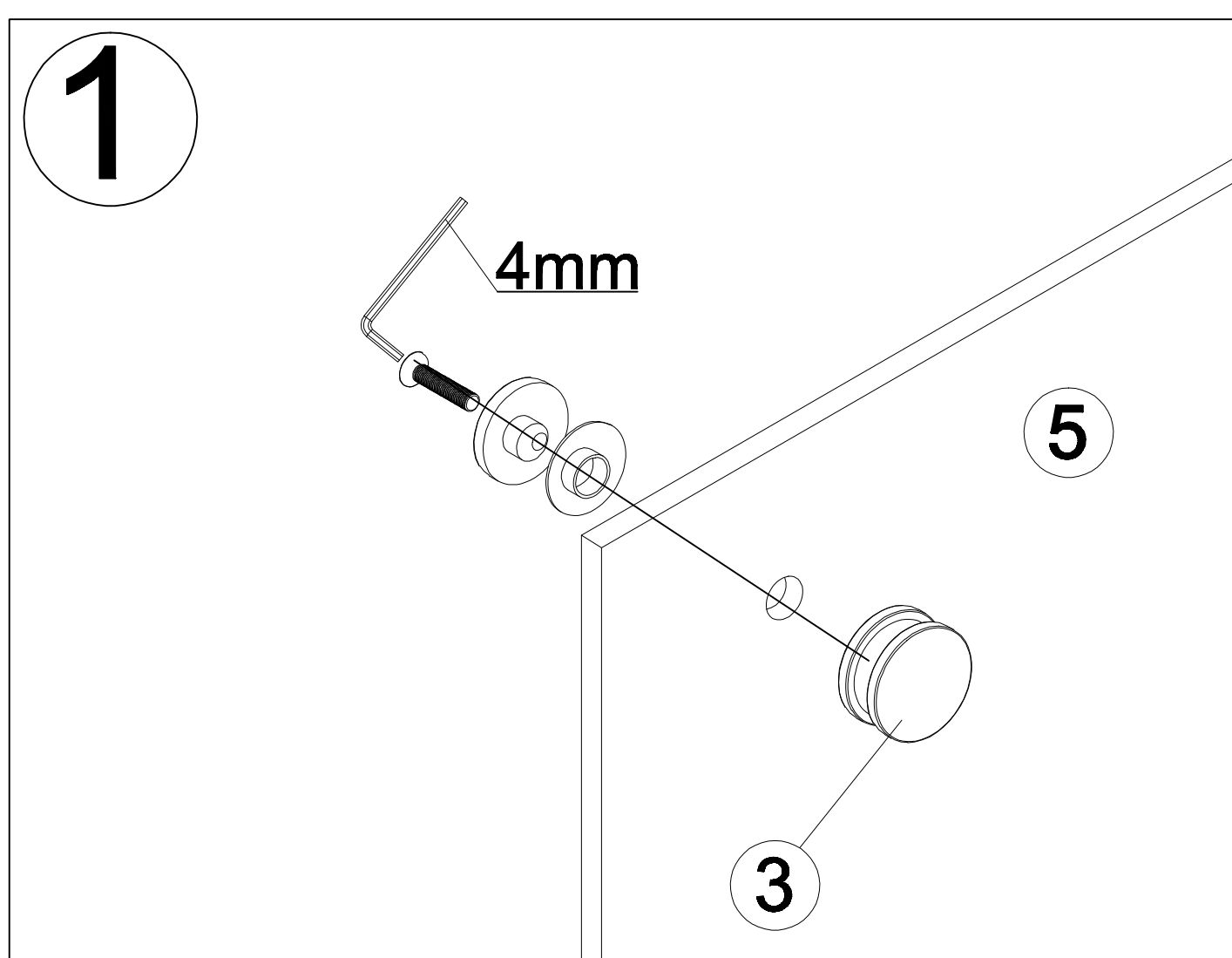
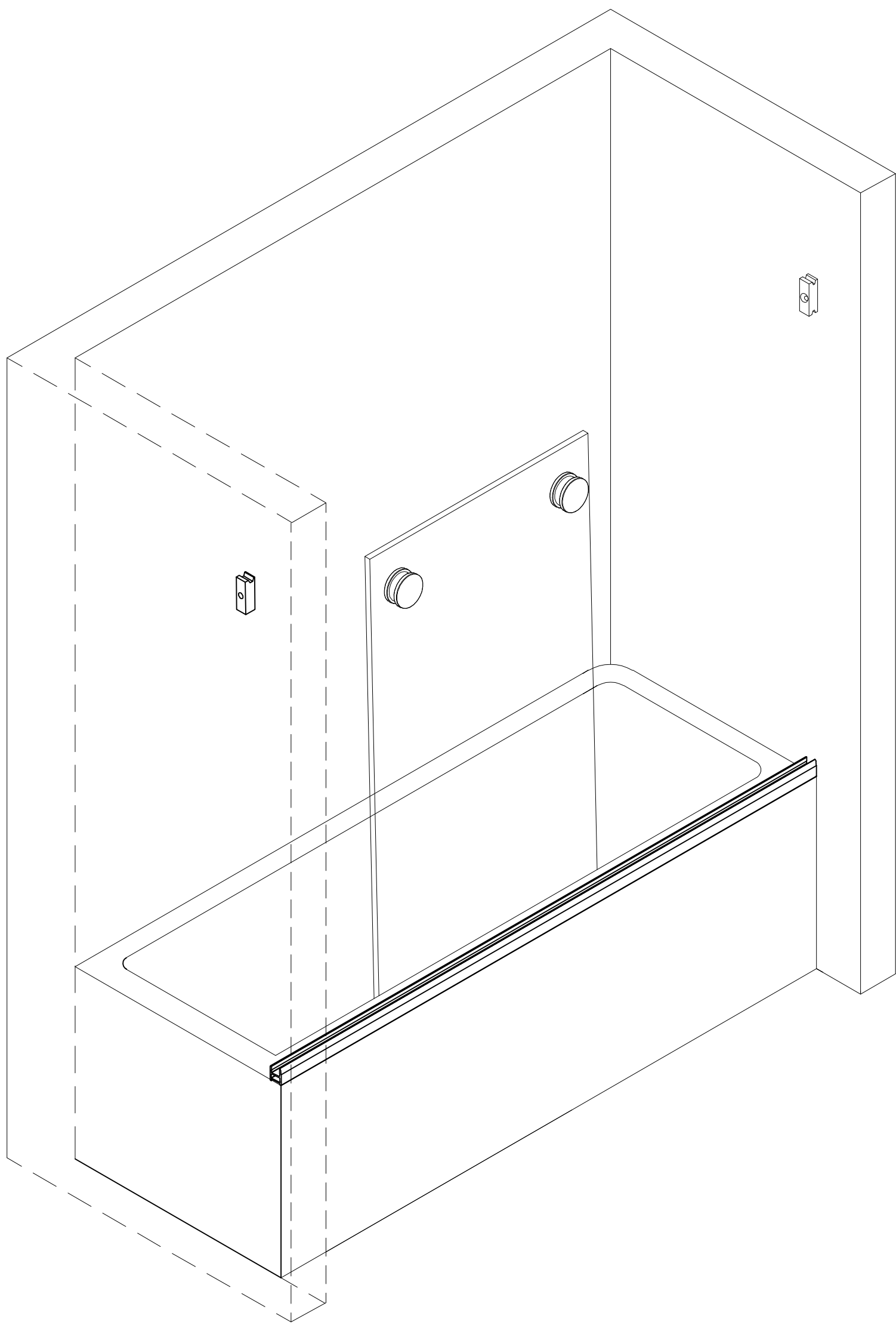
2. Use the 3mm Allen Wrench to secure them by tightening the screws on the bottom.



## Left Hand Assembly

### STEP 7

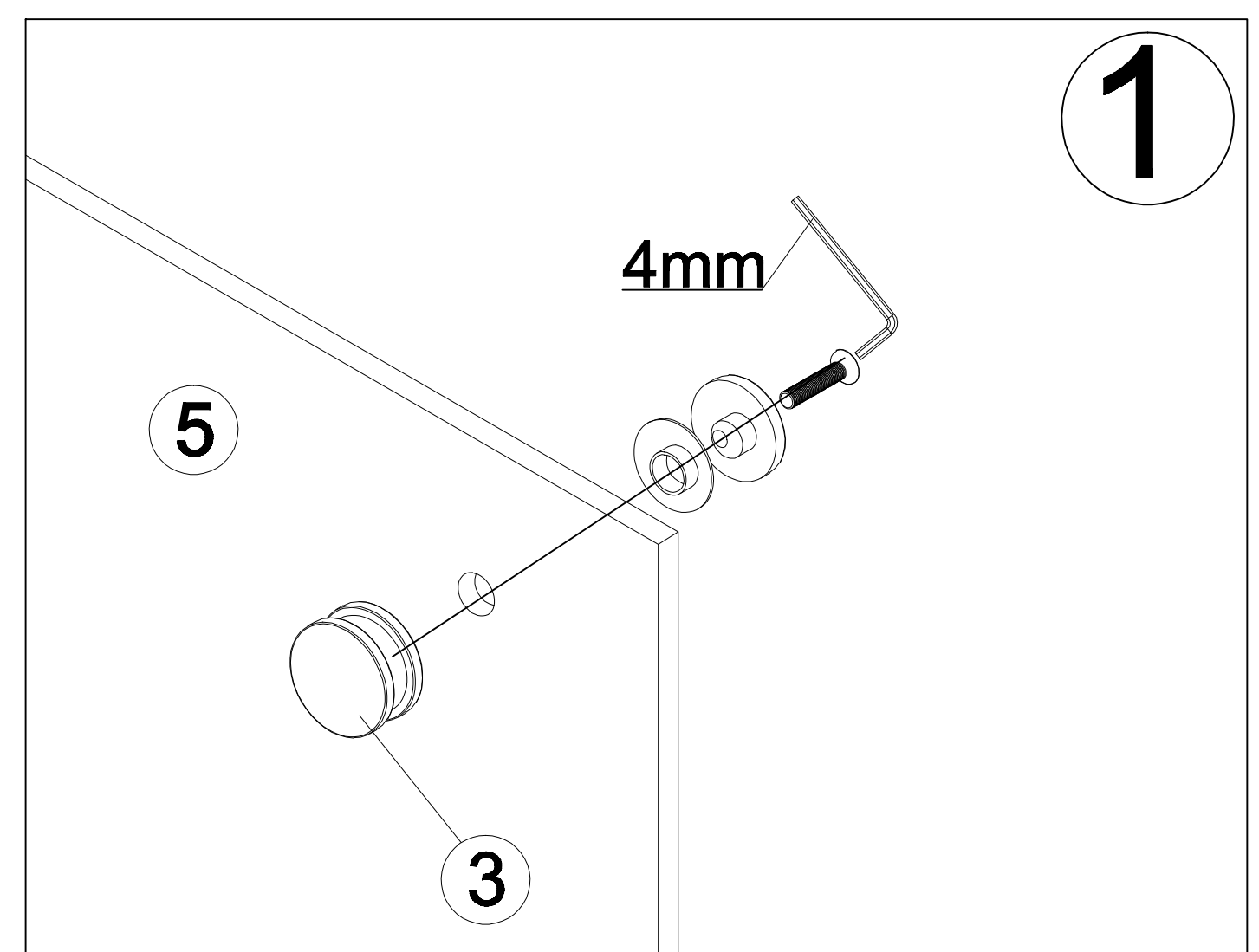
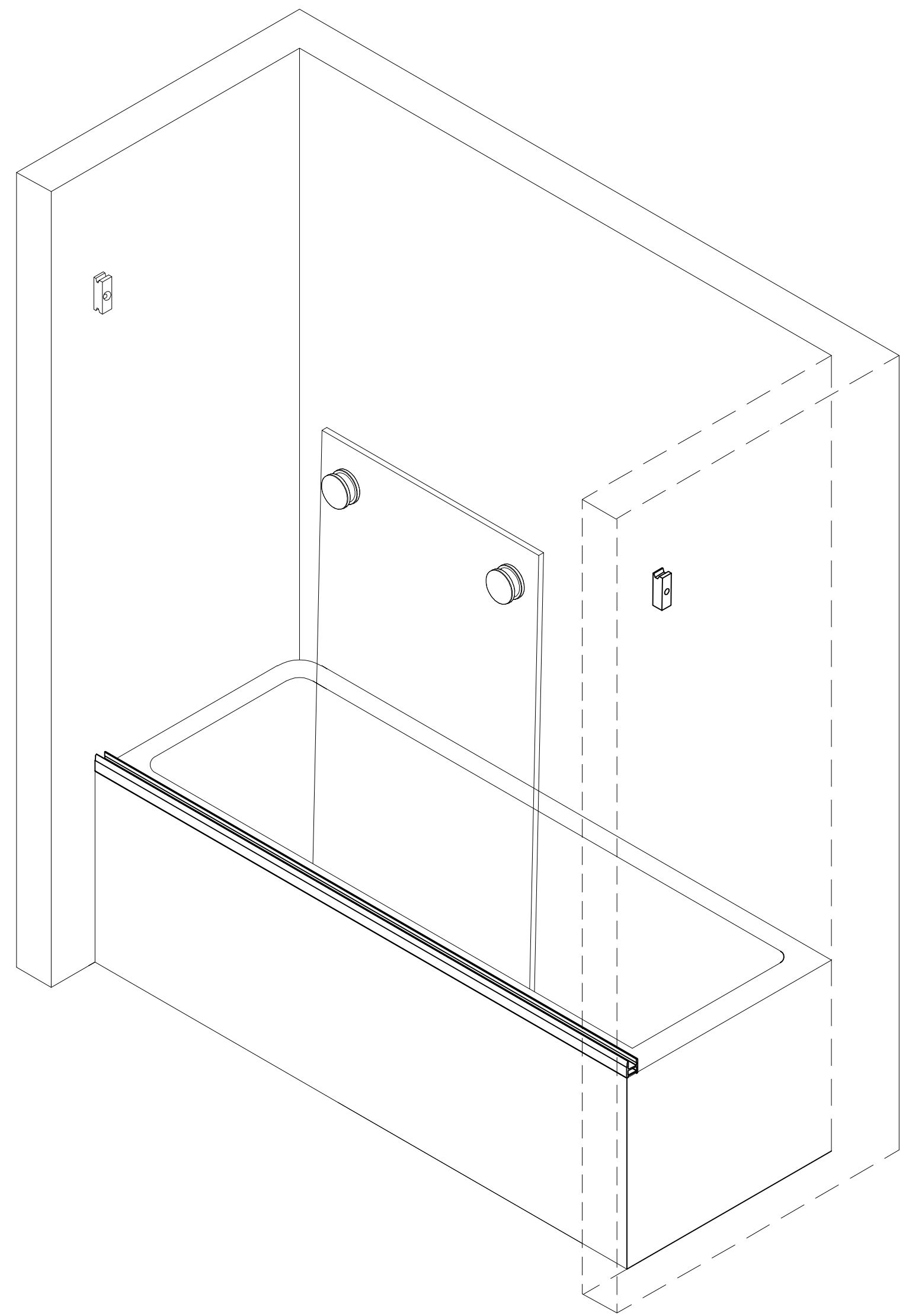
1. Secure the two rollers (3) onto the roller door (5) and move it inside of shower area.



## Right Hand Assembly

### STEP 7

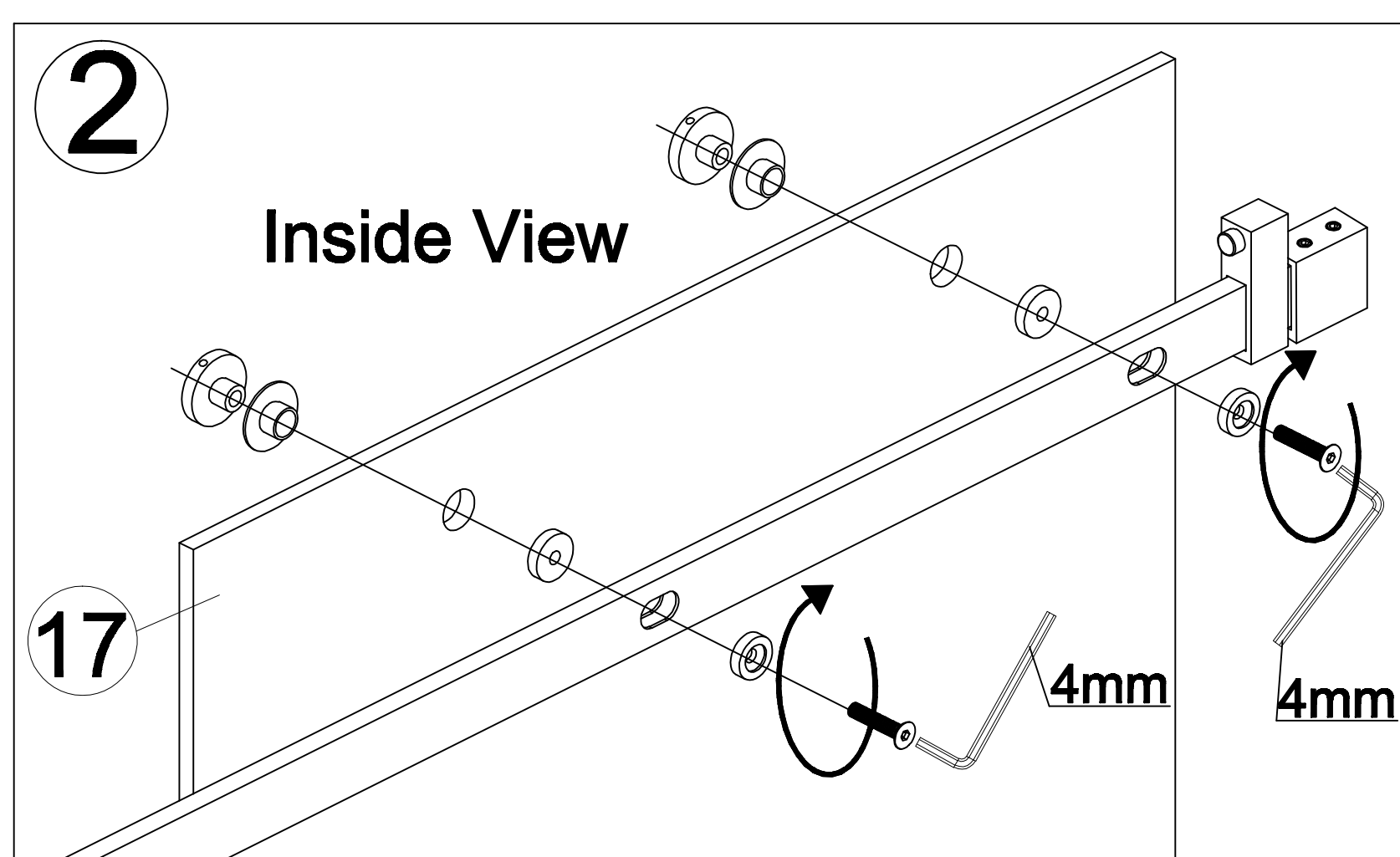
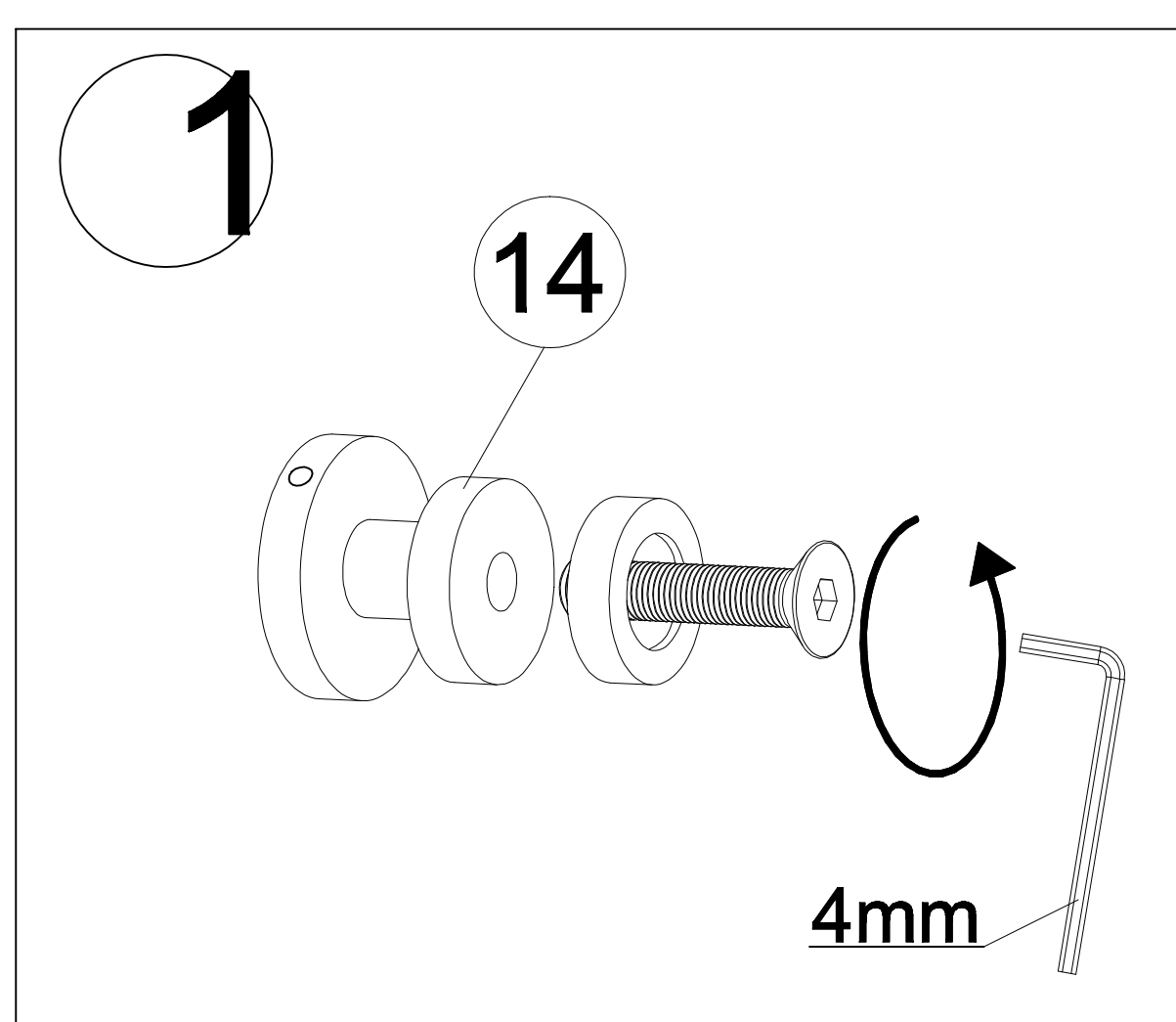
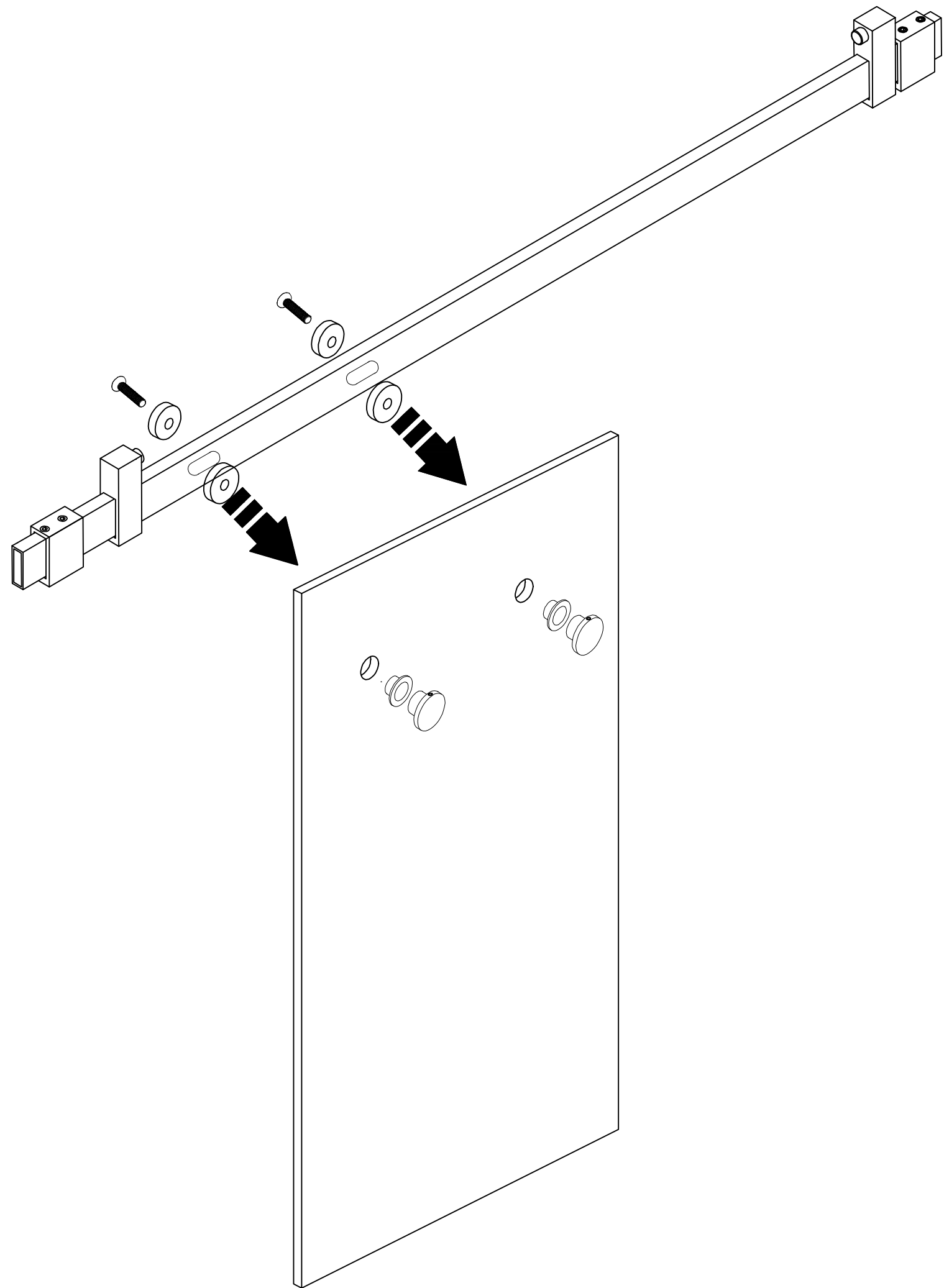
1. Secure the two rollers (3) onto the roller door (5) and move it inside of shower area.



## Left Hand Assembly

### STEP 8

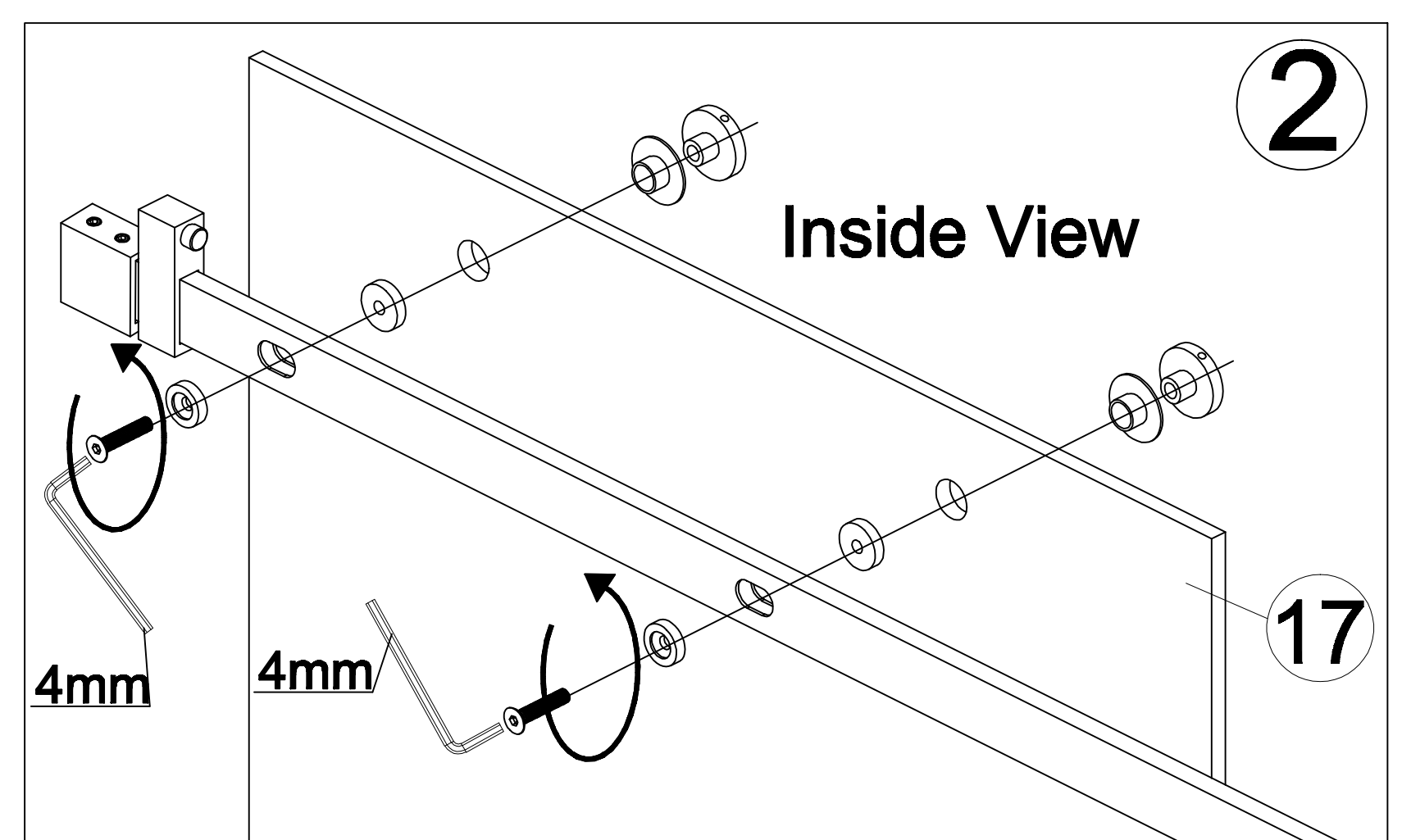
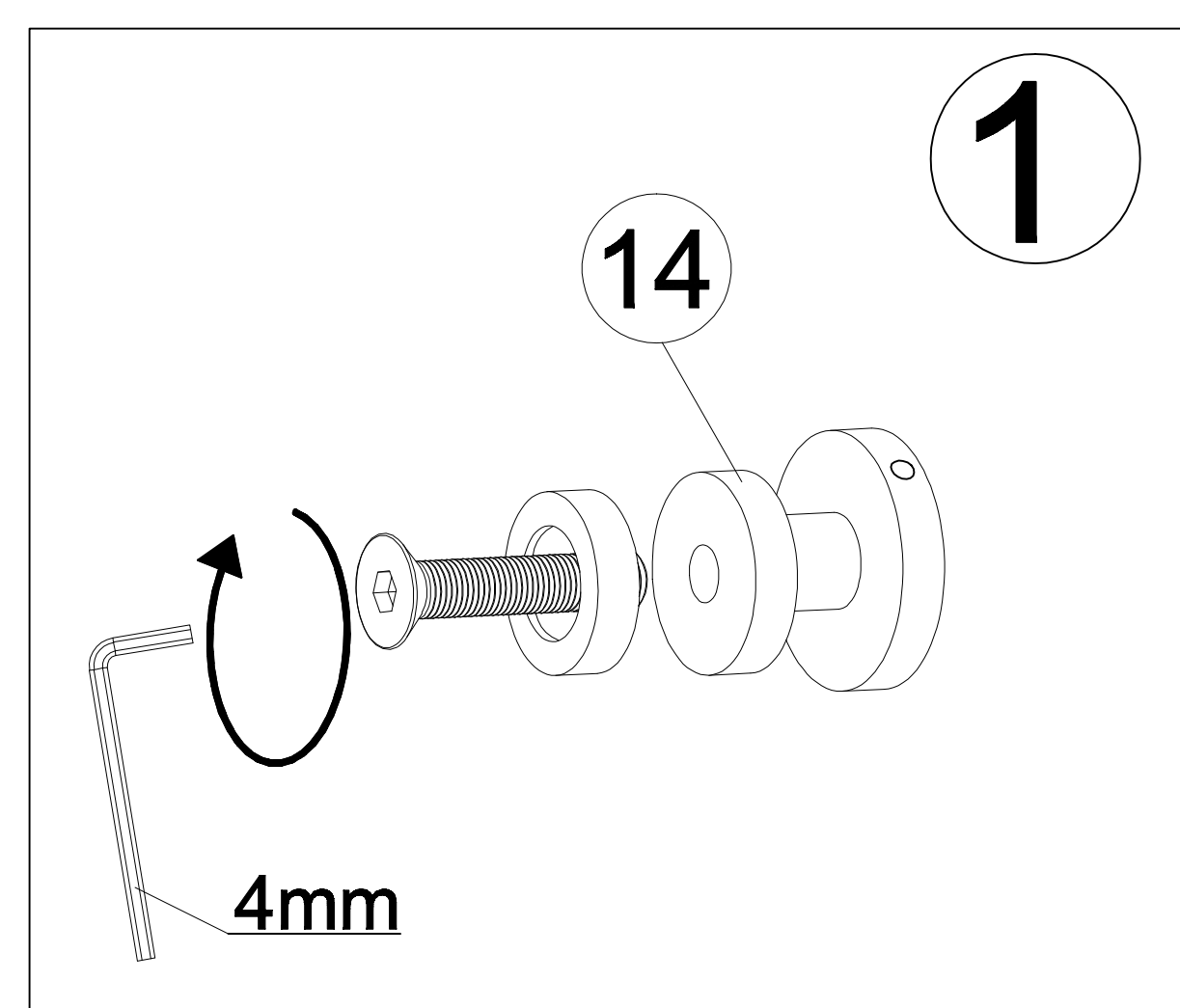
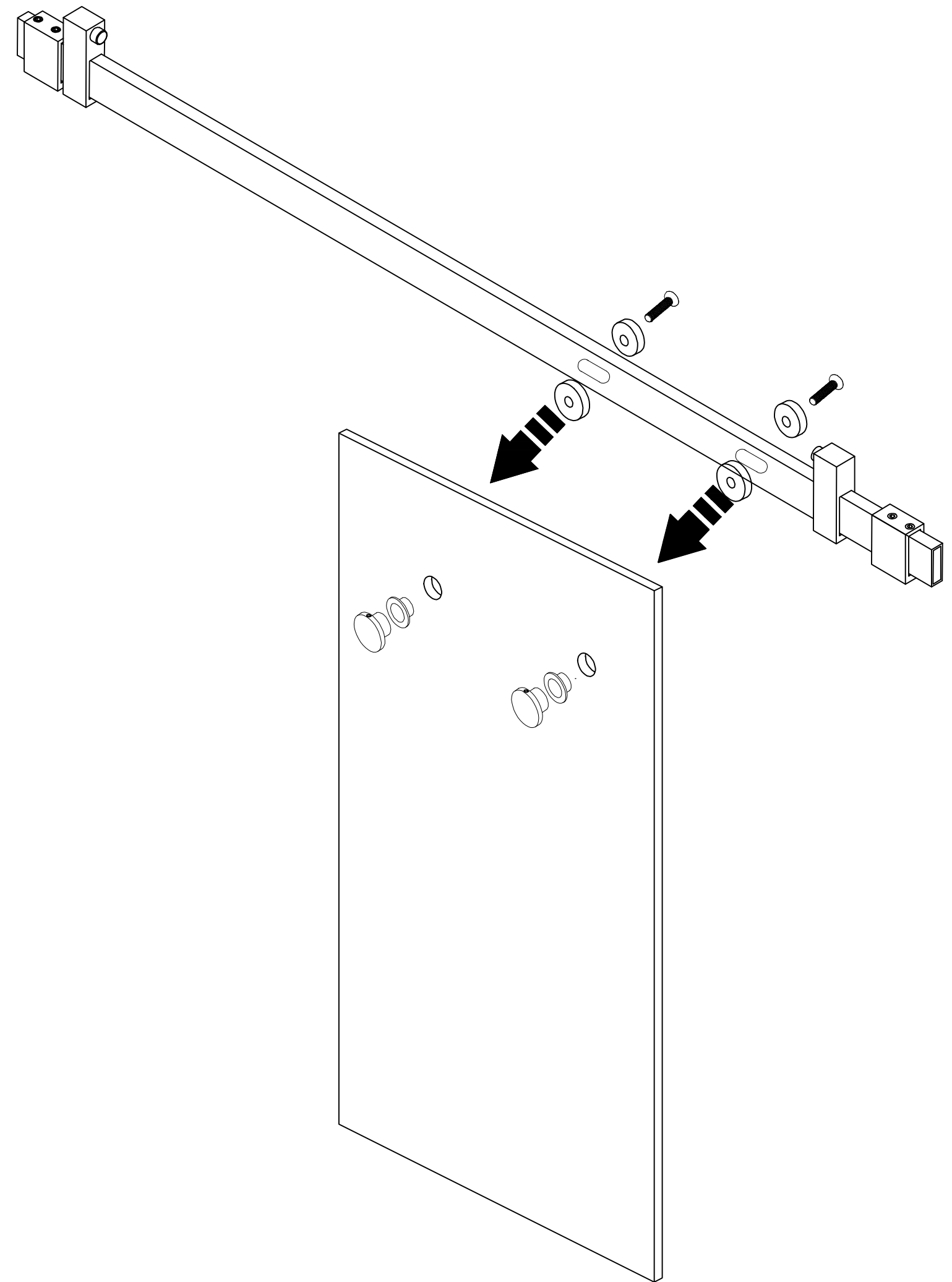
1. Loose fixed panel fastener(14) screws with 4mm Allen wrench(19).
2. Assemble fixed panel(17) and top rail(13) together with fixed panel fastener(3).



## Right Hand Assembly

### STEP 8

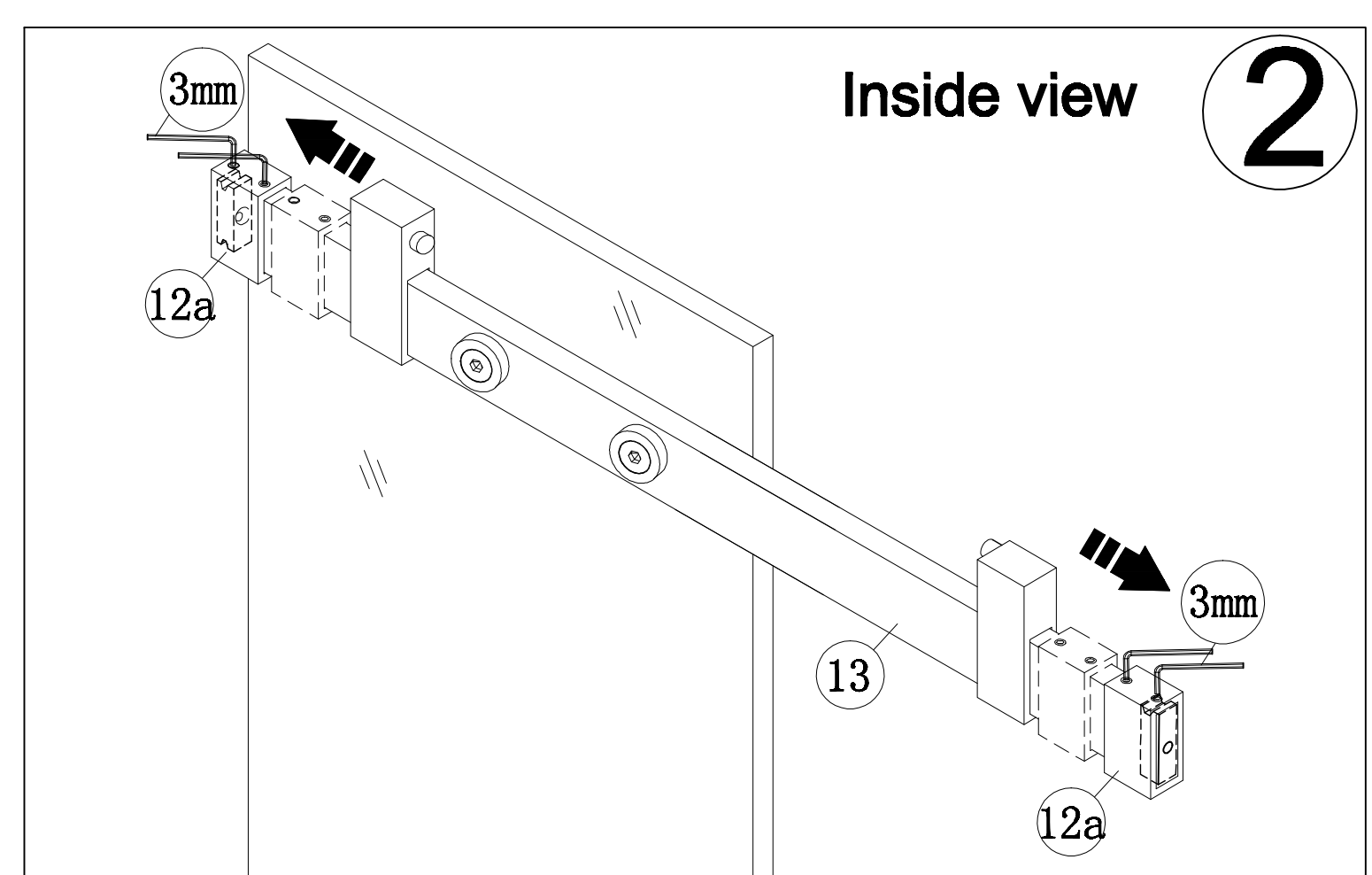
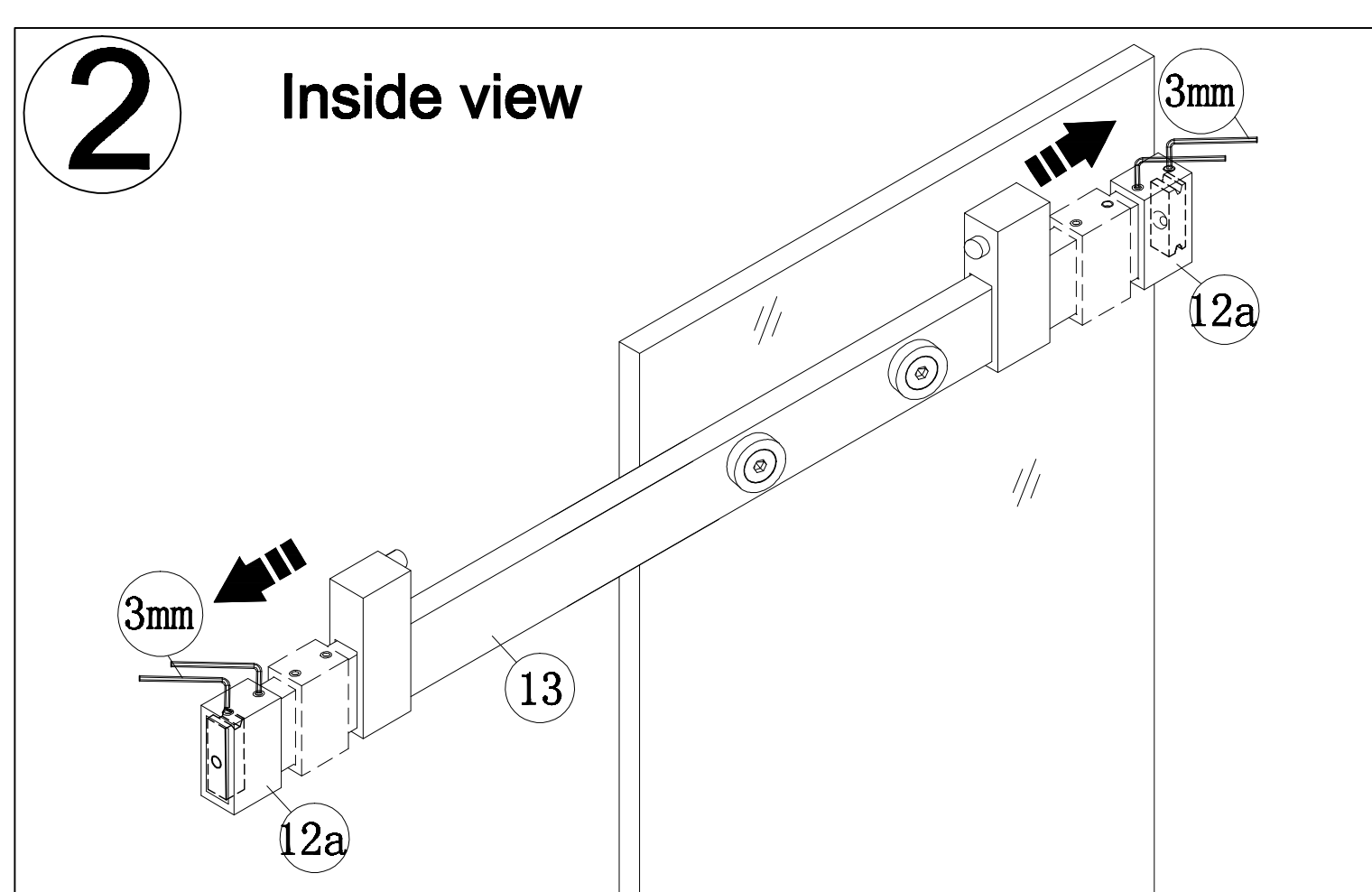
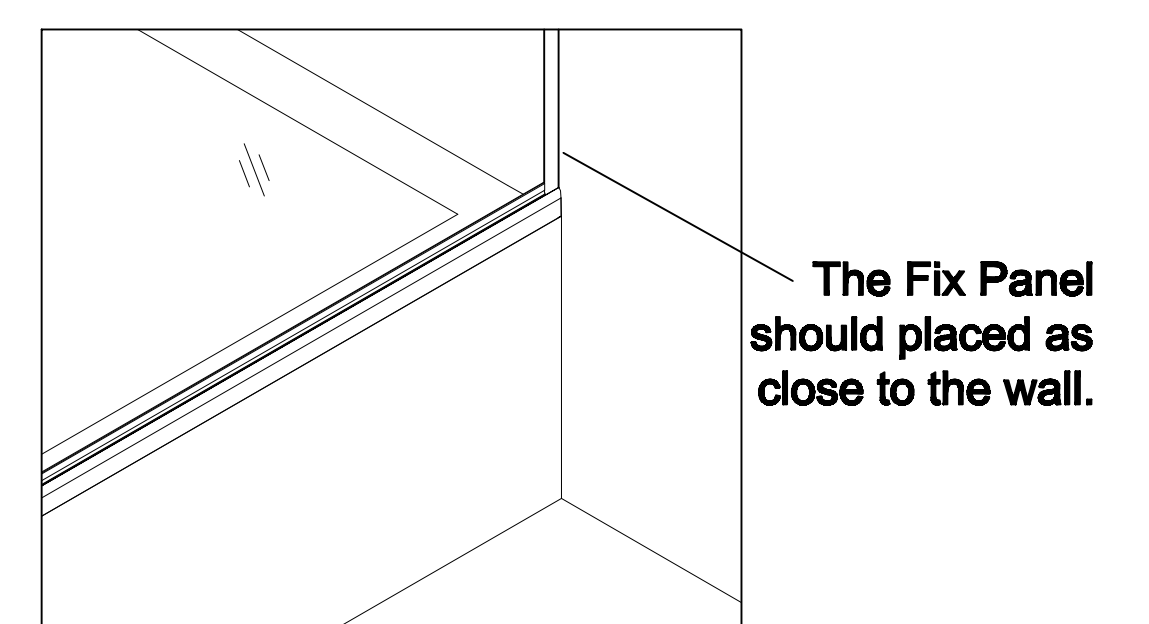
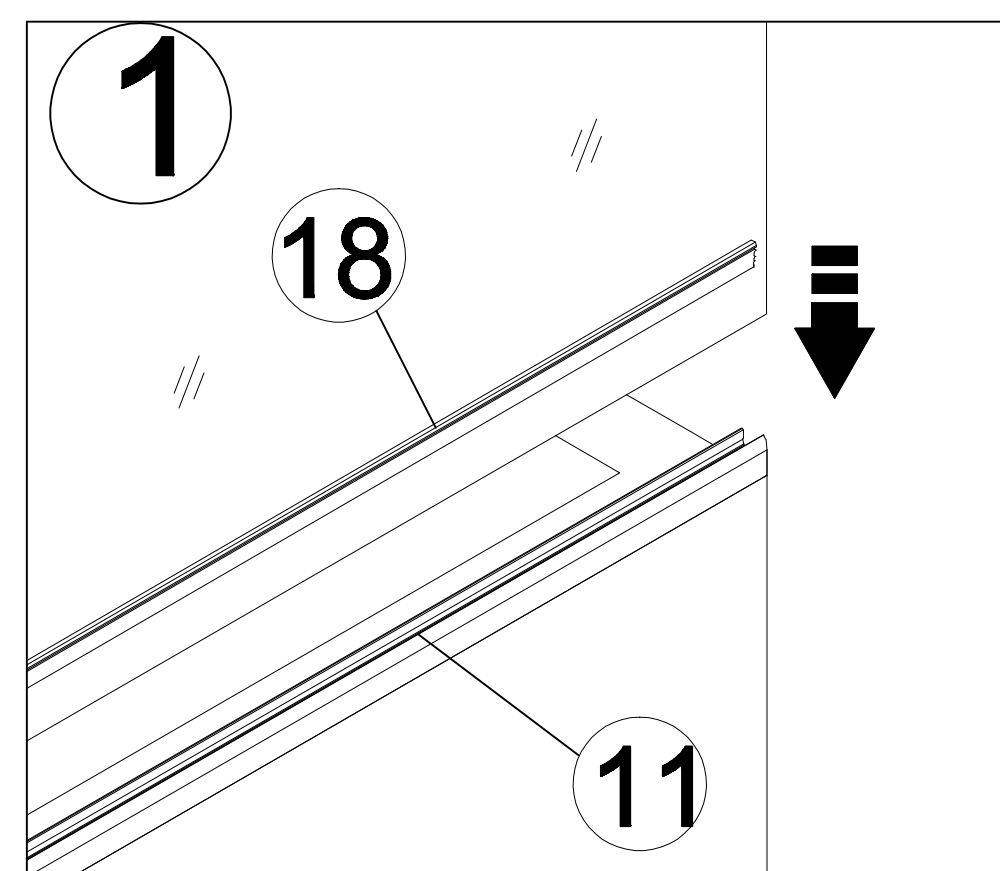
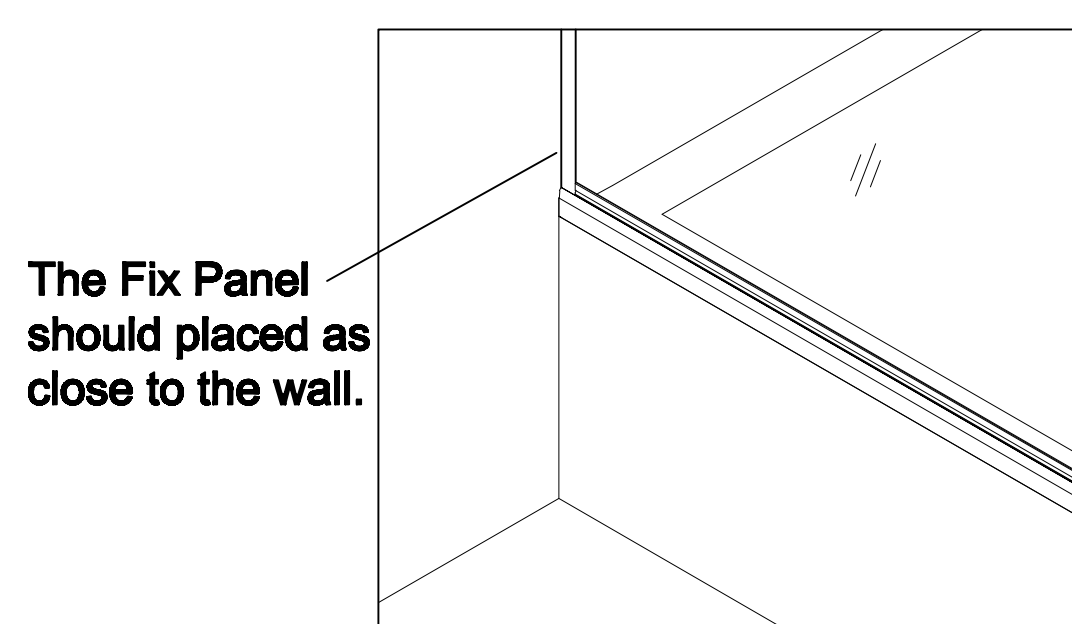
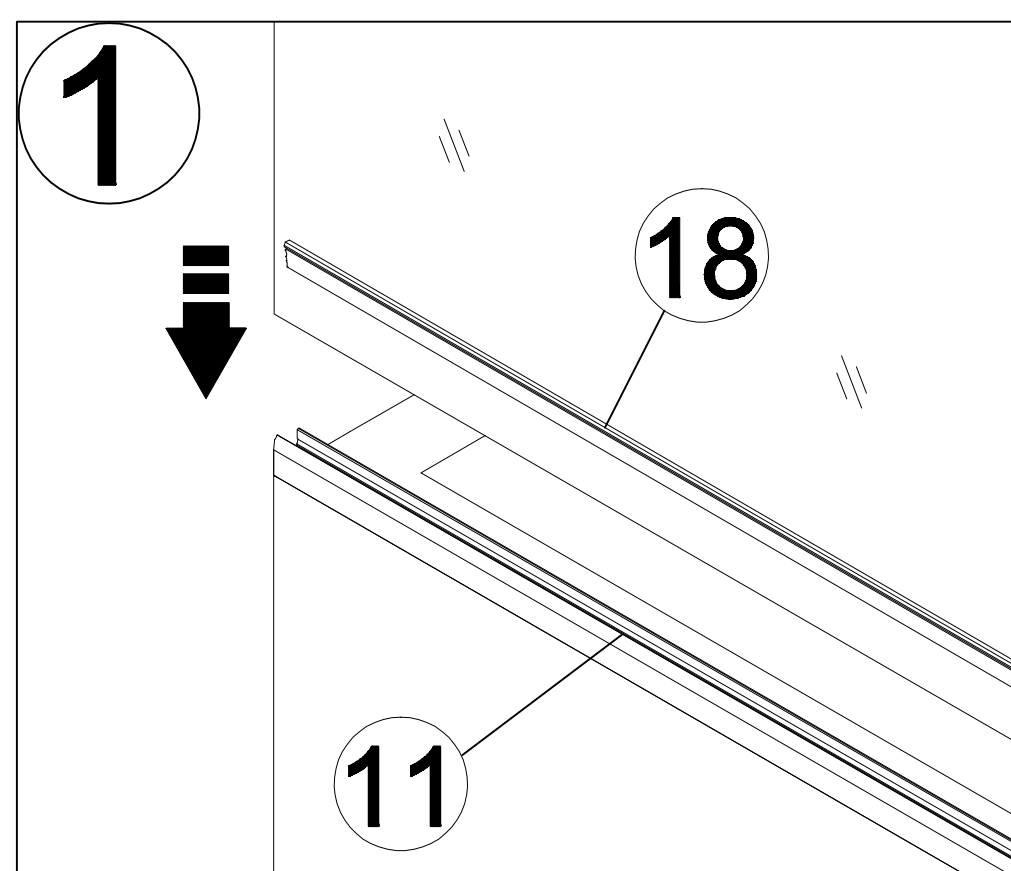
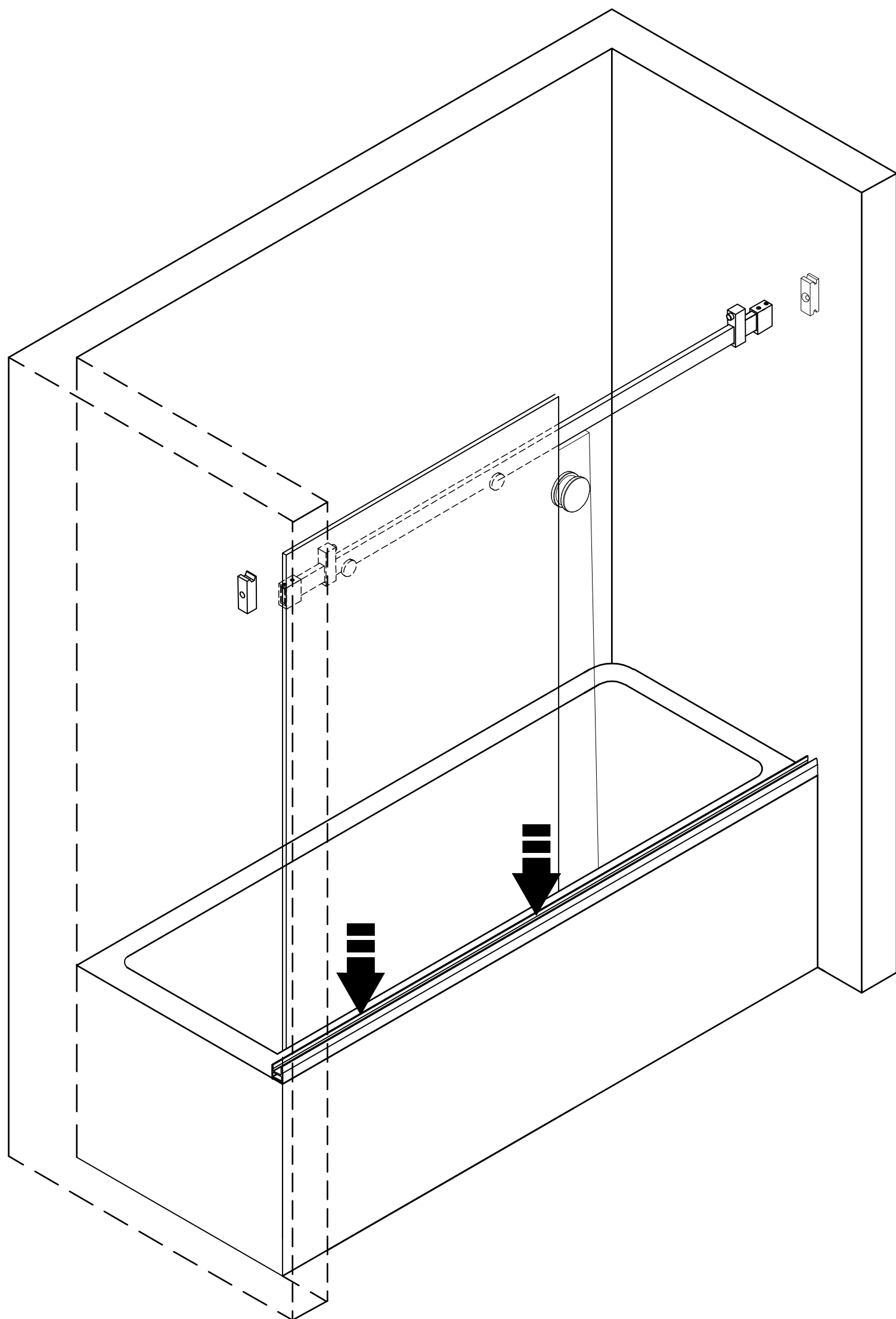
1. Loose fixed panel fastener(14) screws with 4mm Allen wrench(19).
2. Assemble fixed panel(17) and top rail(13) together with fixed panel fastener(3).



# Left Hand Assembly

## STEP 9

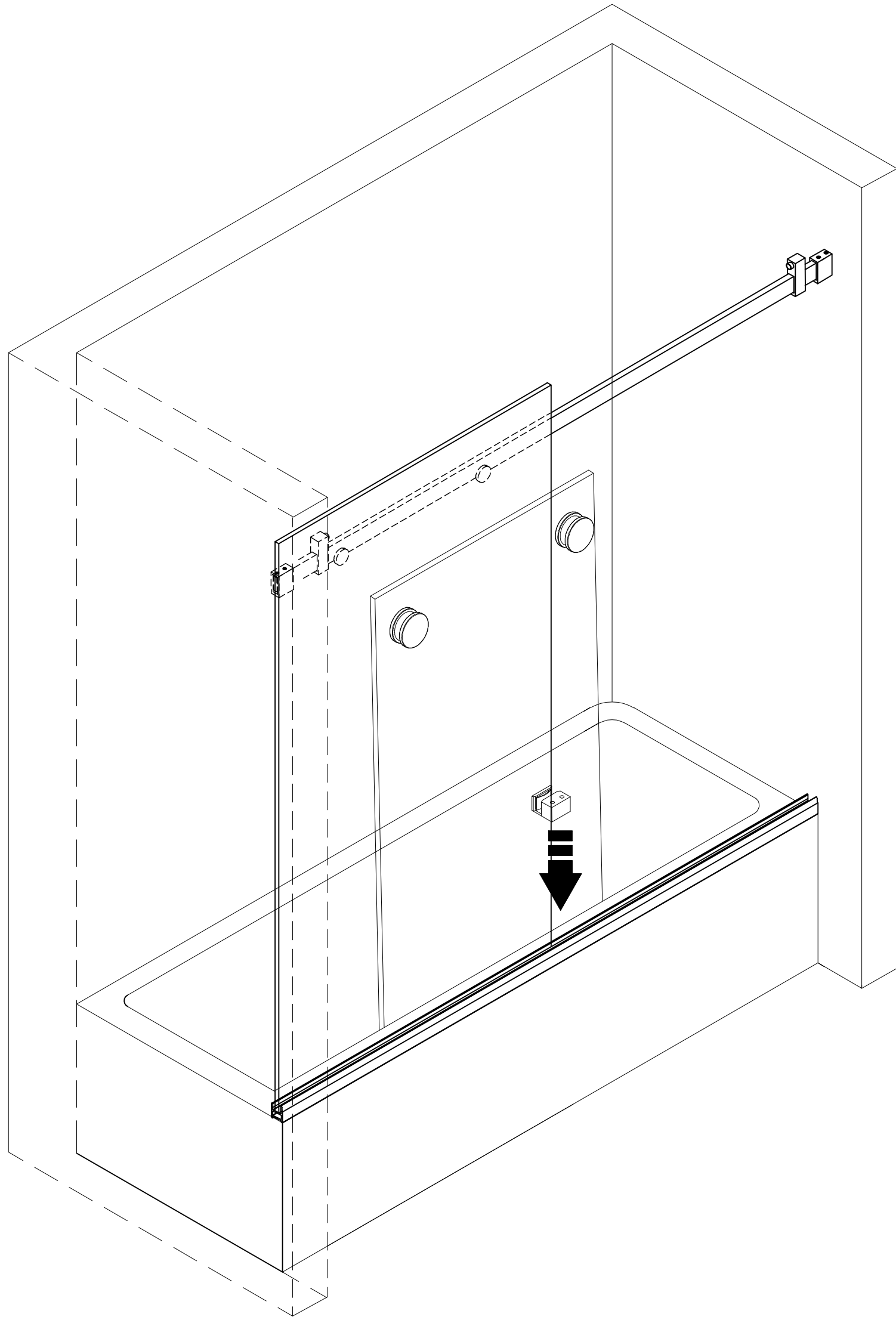
1. Assemble fixed panel(17)with top railed installed and one-sided strip(18) onto door bottom guide(11), push fixed panel(17) against wall.
2. Loose the screw of rail wall bracket(12a) and move it till the end and have it covered rail wall connector(12b), secure the screw.



# Left Hand Assembly

## STEP 10

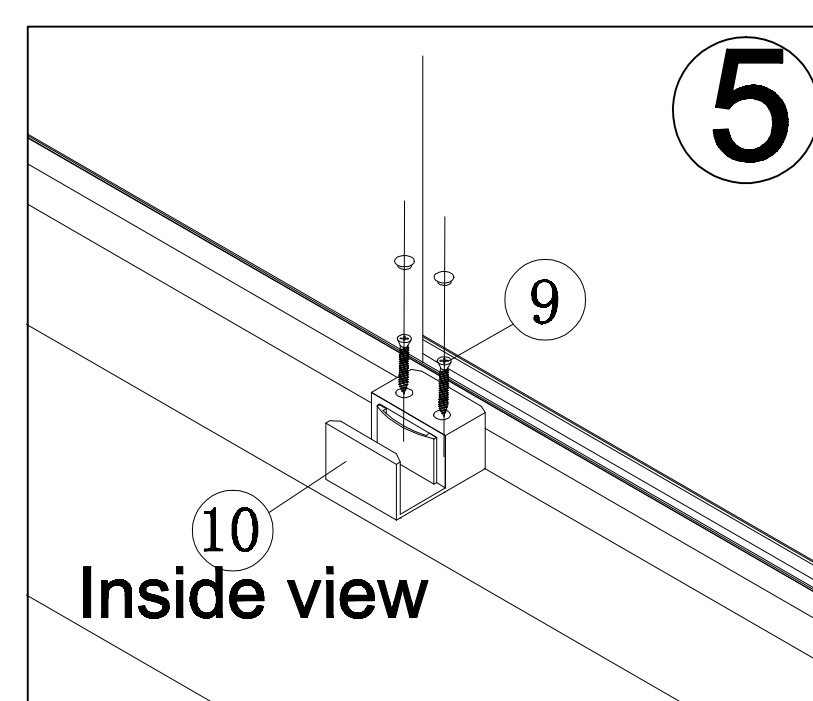
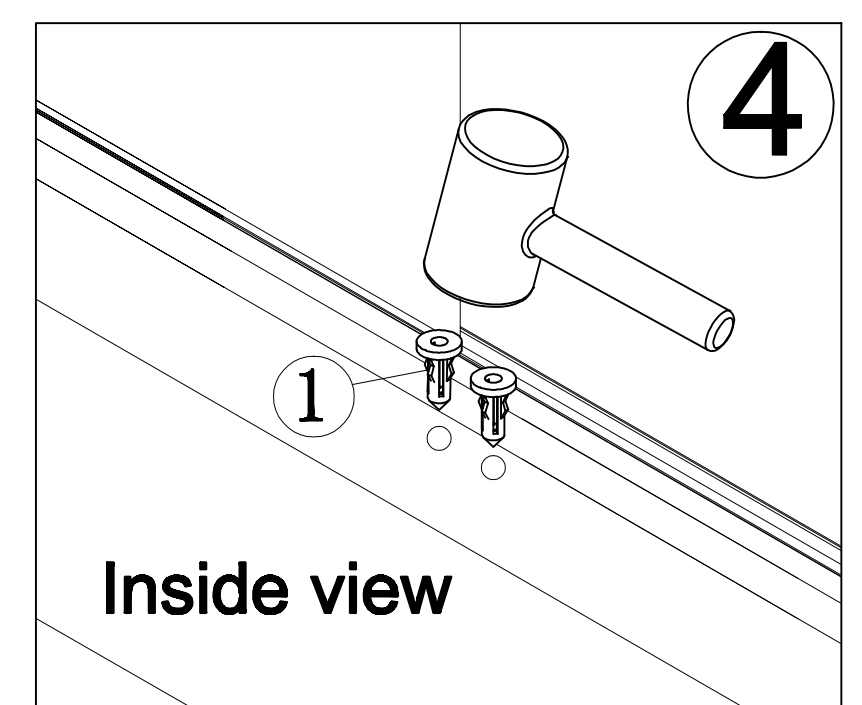
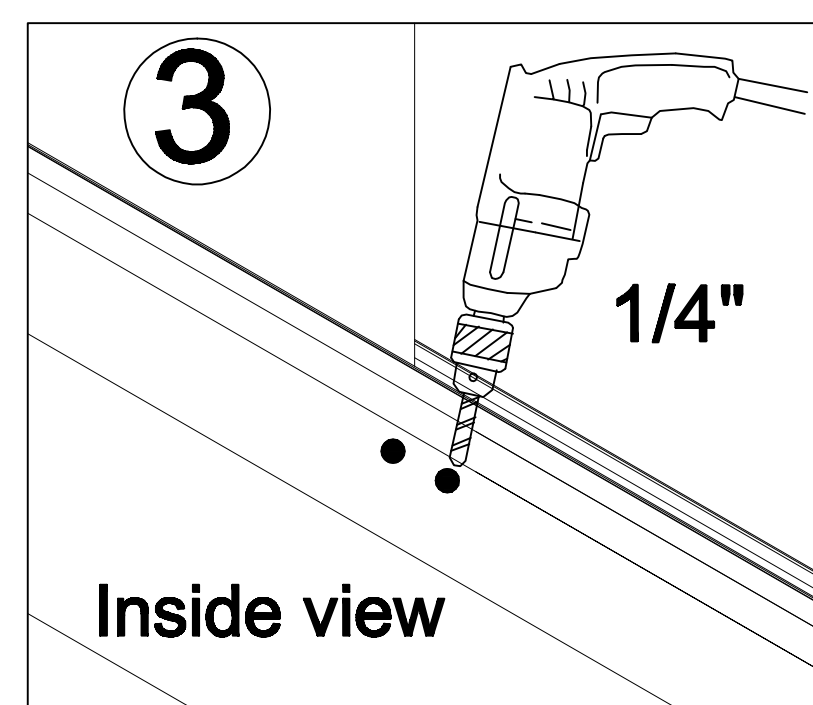
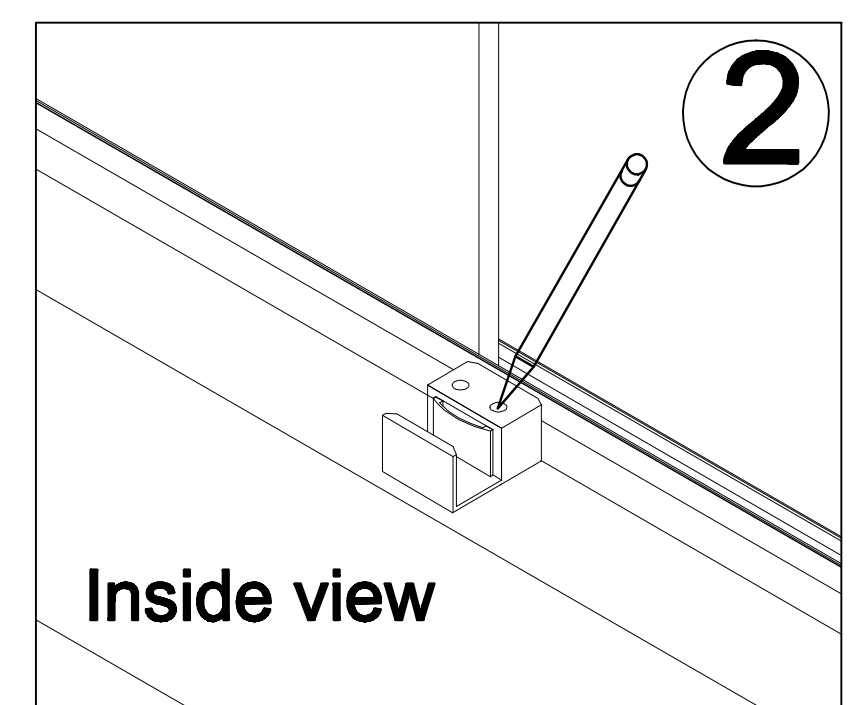
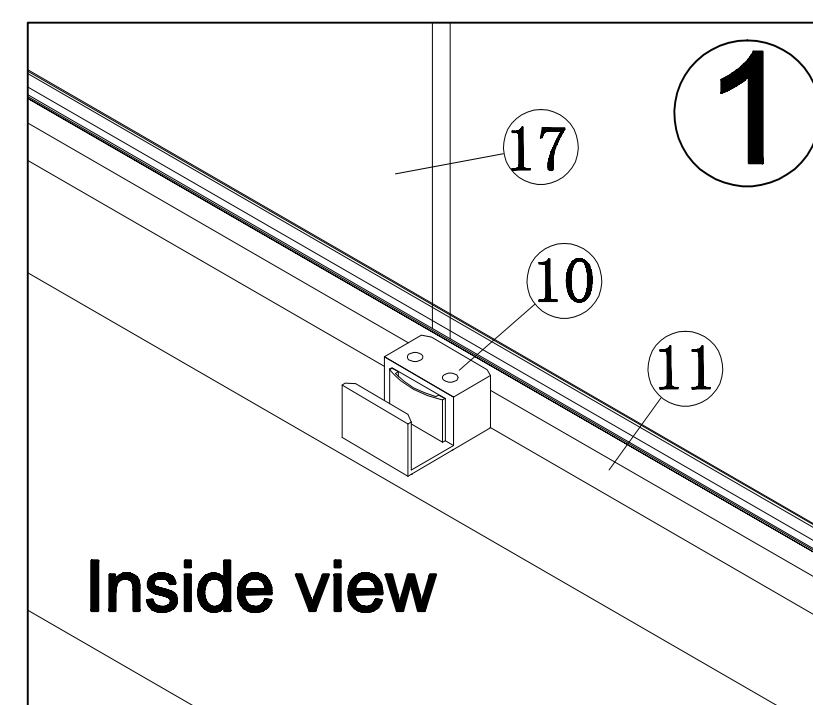
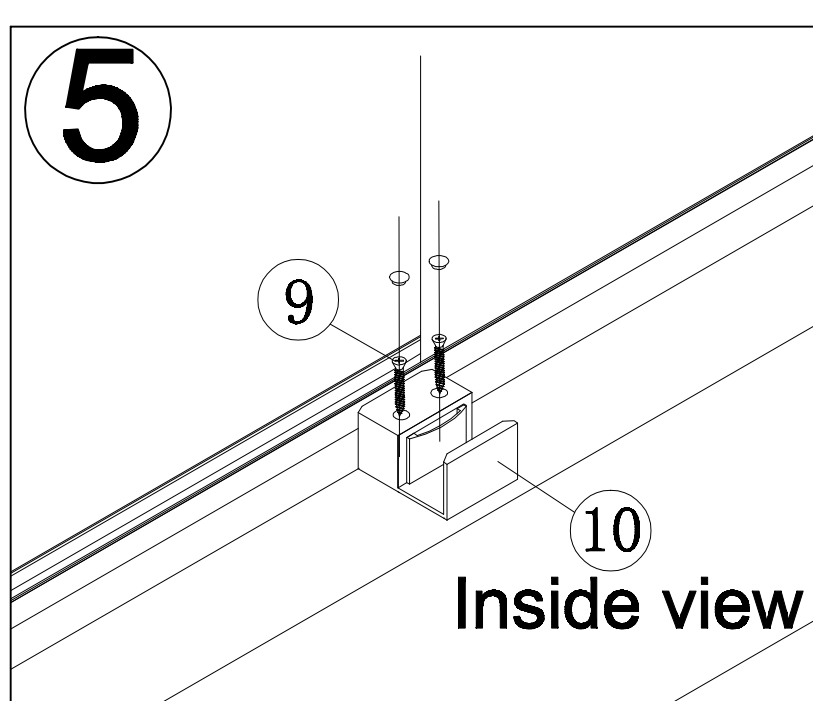
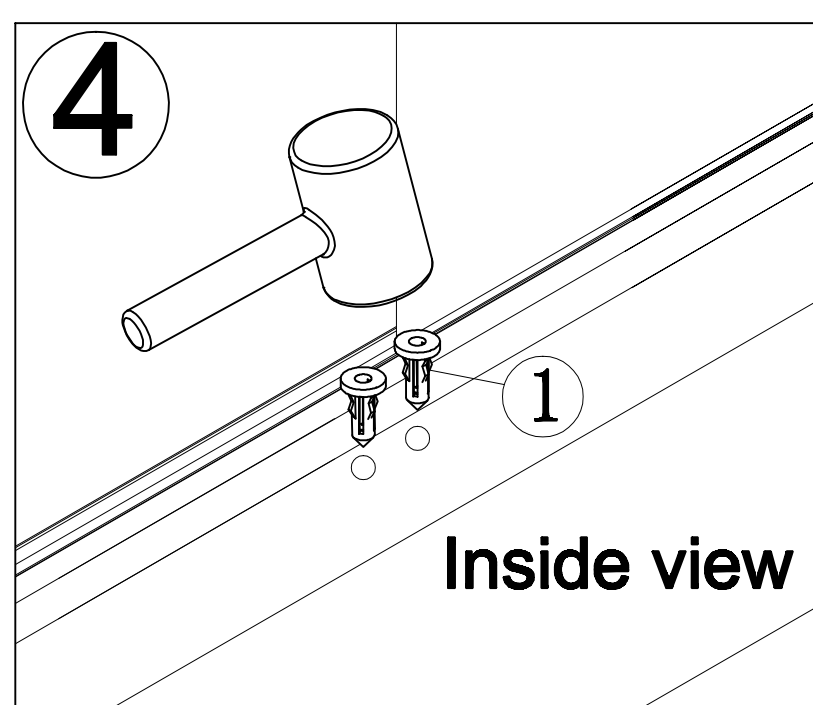
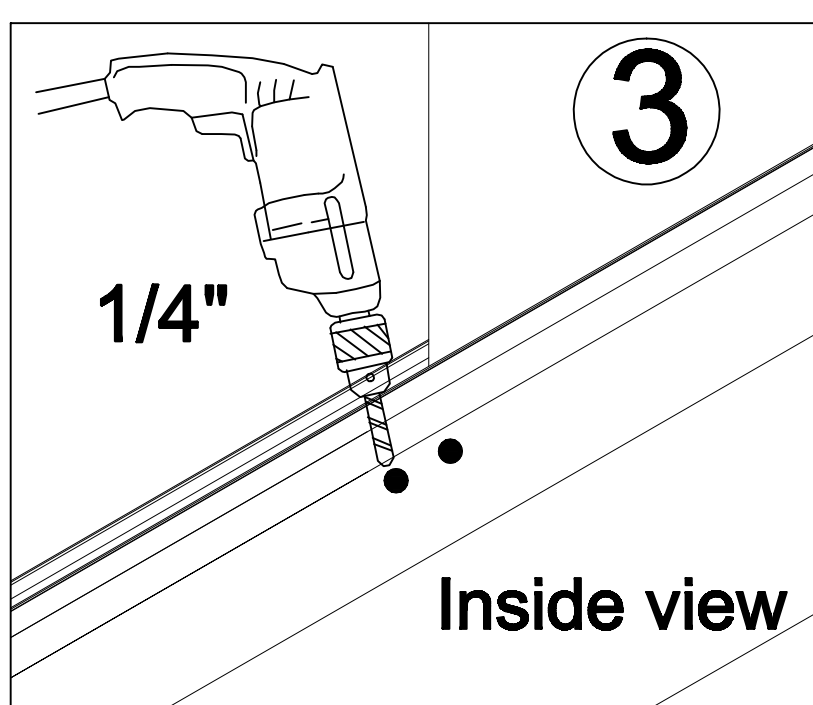
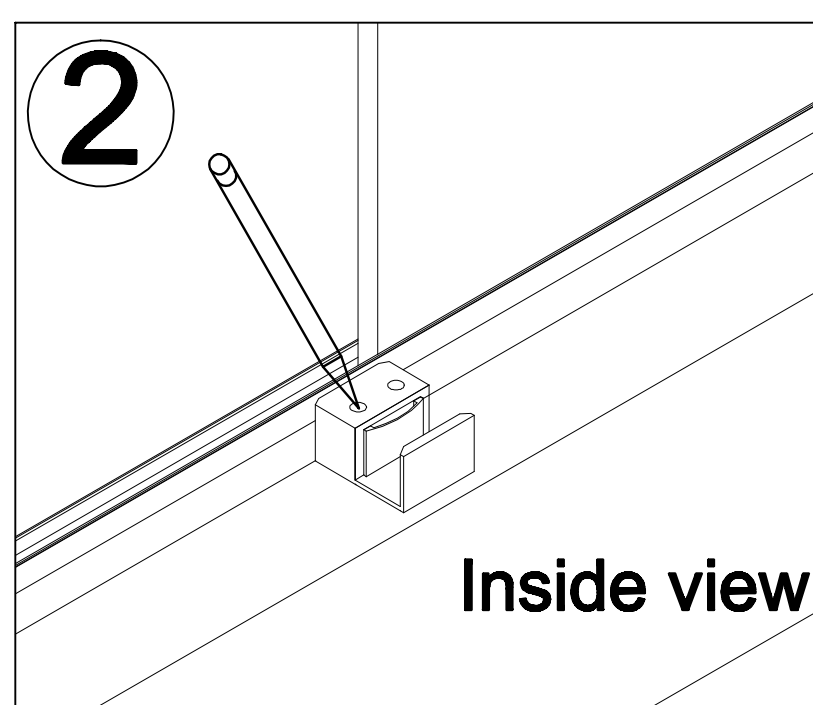
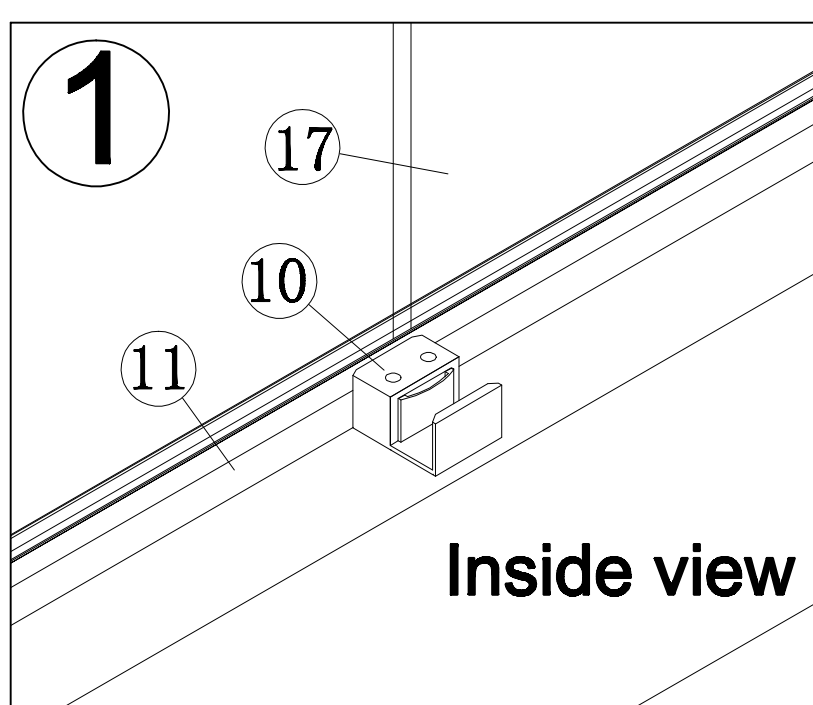
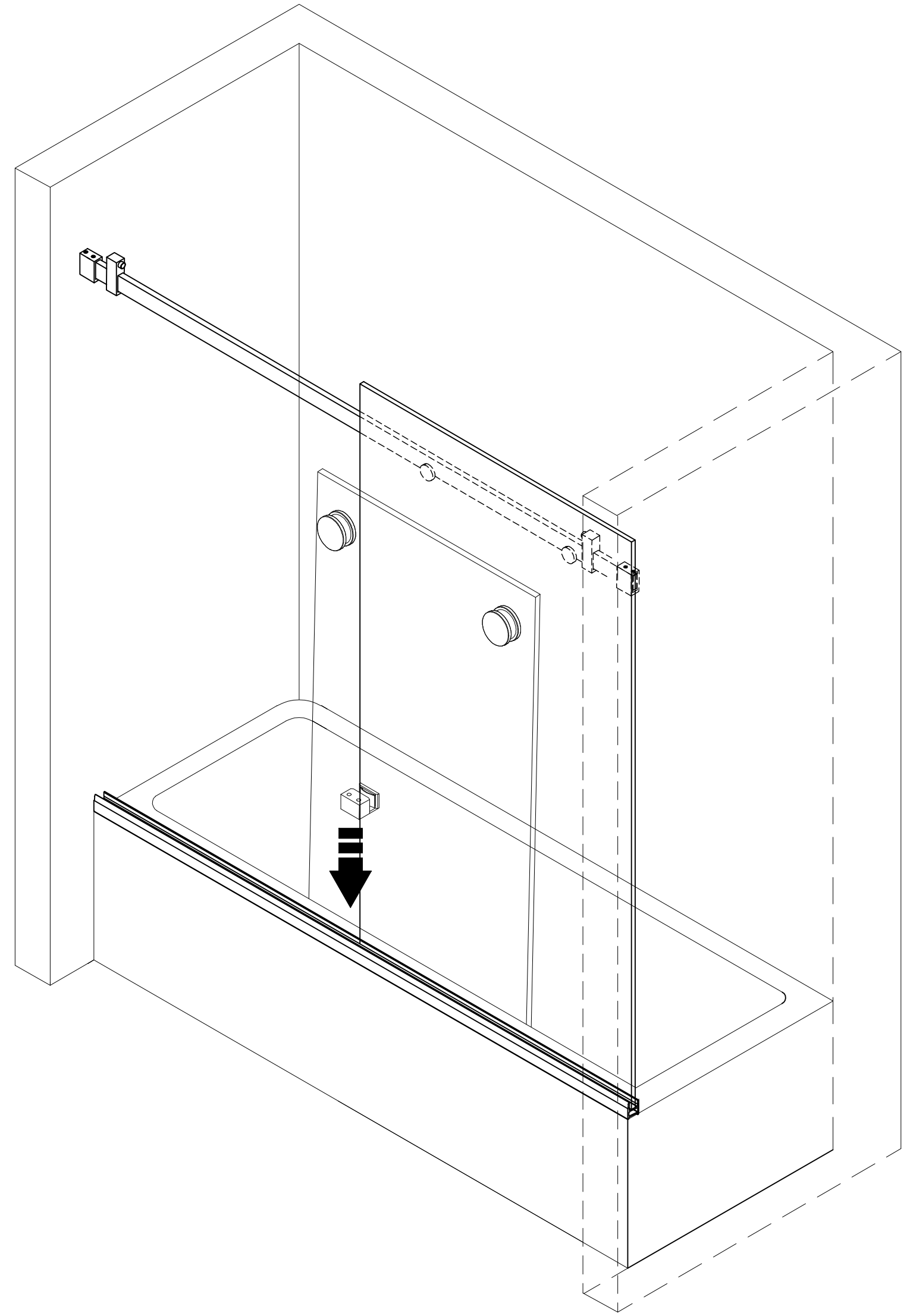
1. Position the Door Guide (10) against the Door Bottom Guide (11) at the end of the Fixed Panel. (see Diagram)
2. Use a pencil to mark the drill holes through the Door Guide(10).
3. Drill a hole through the pencil mark on the ground.
4. Use 4 x 3/4" self-tapping screws (9) to secure the Door Guide .



# Right Hand Assembly

## STEP 10

1. Position the Door Guide (10) against the Door Bottom Guide (11) at the end of the Fixed Panel. (see Diagram)
2. Use a pencil to mark the drill holes through the Door Guide(10).
3. Drill a hole through the pencil mark on the ground.
4. Use 4 x 3/4" self-tapping screws (9) to secure the Door Guide .

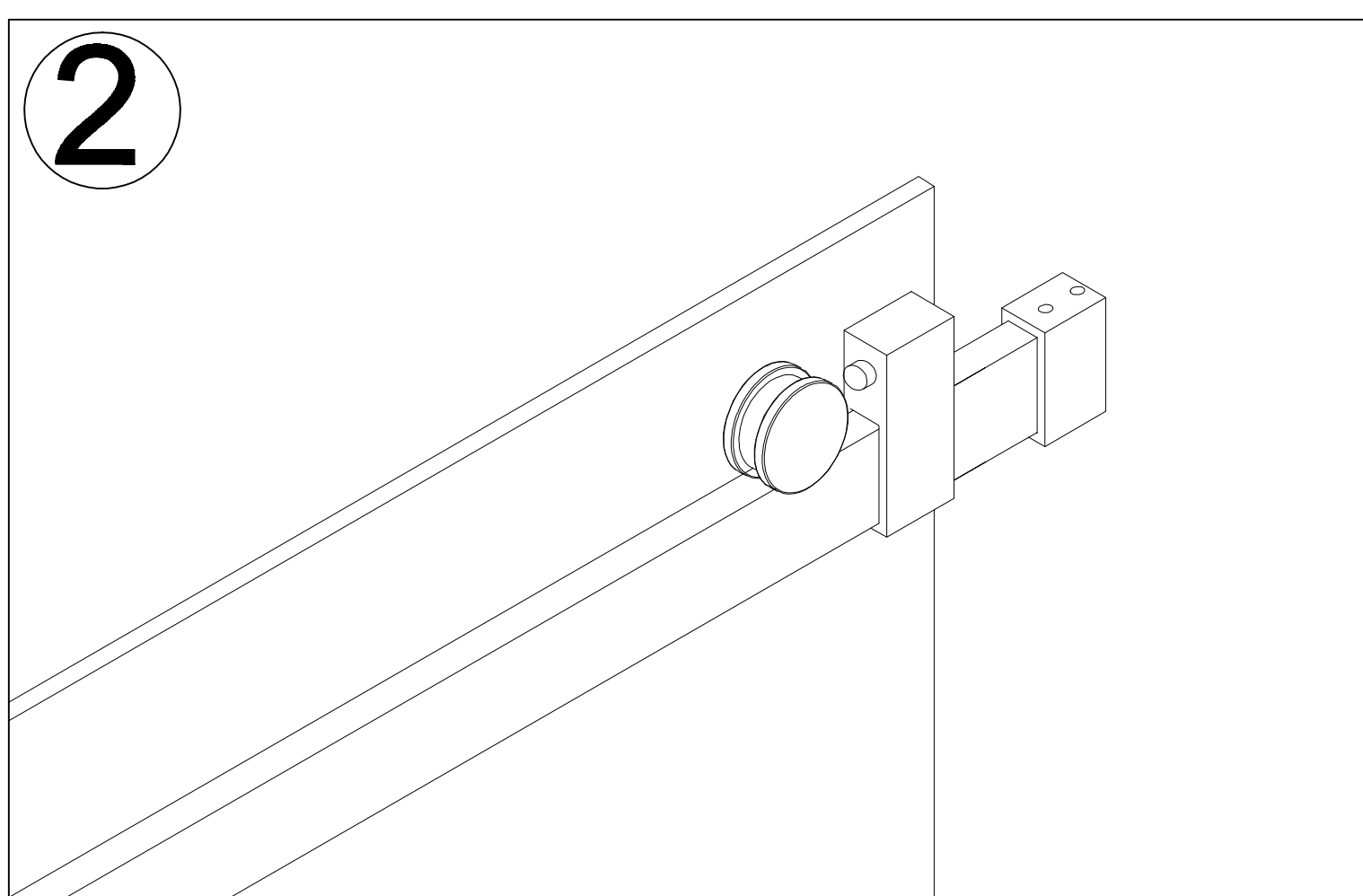
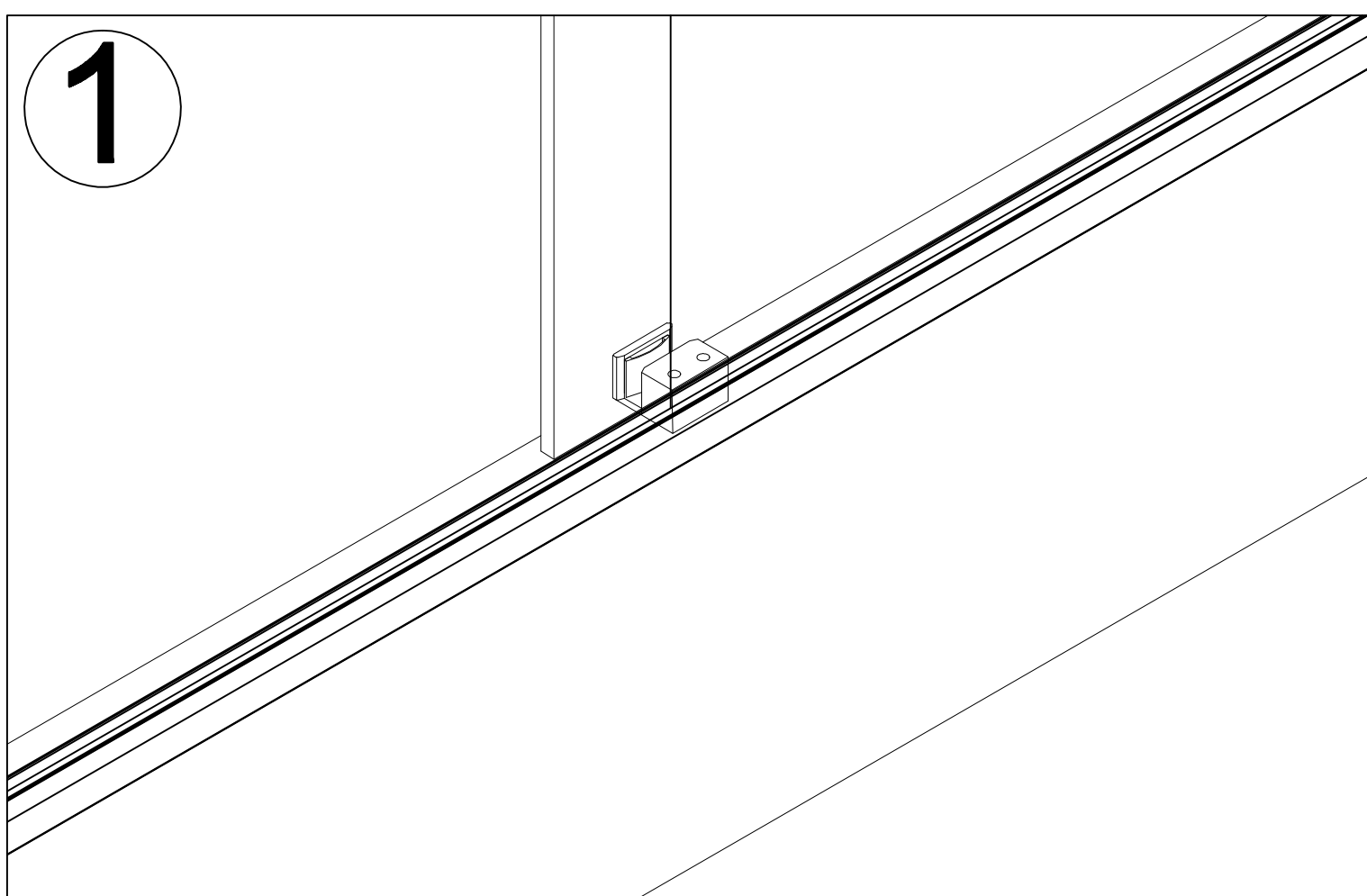
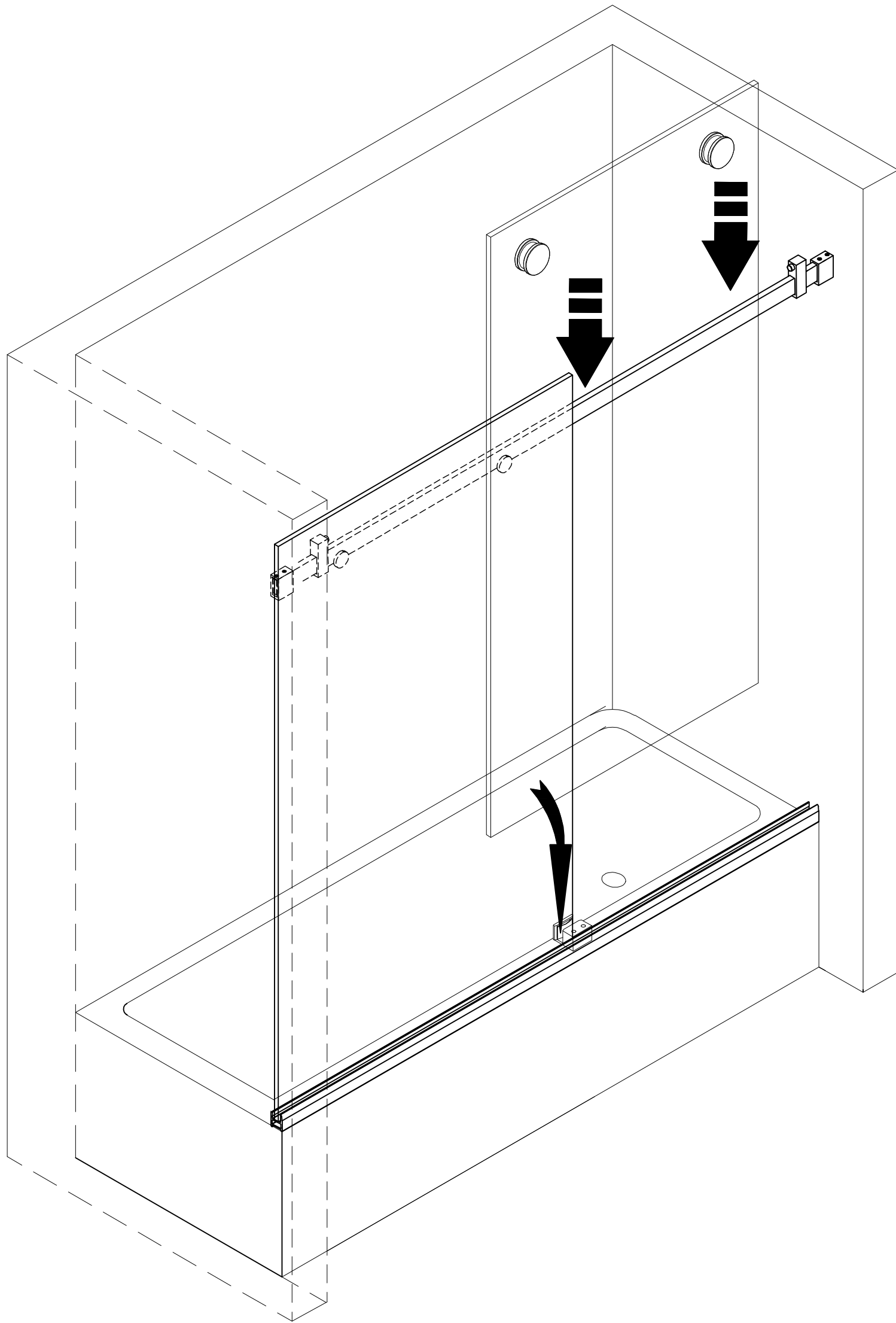


## Left Hand Assembly

### STEP 11

1. Make sure the bottom of the Roller Door inserts onto the Door Guide.

2. Hang the Roller Door onto the Top Rail.

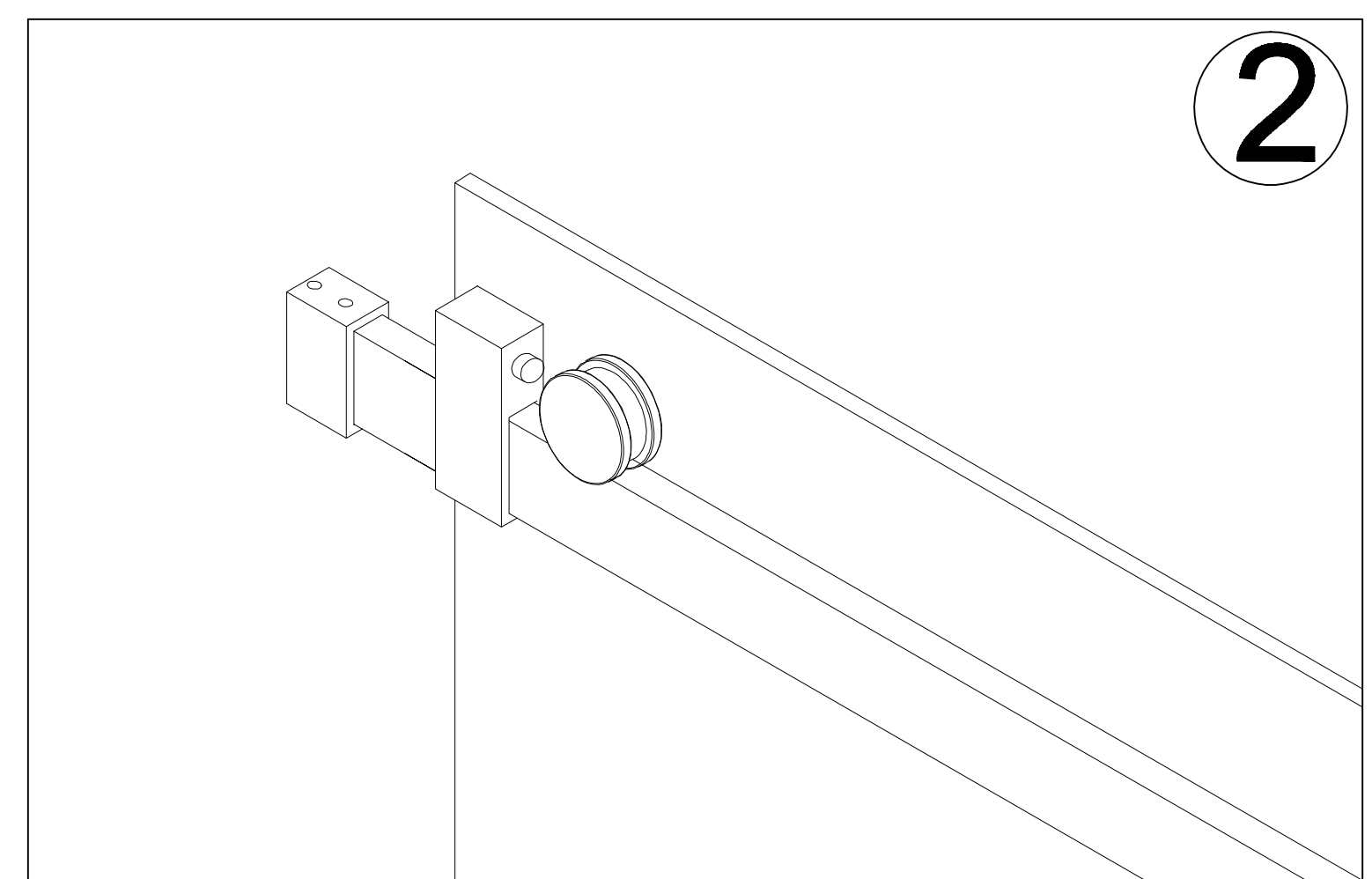
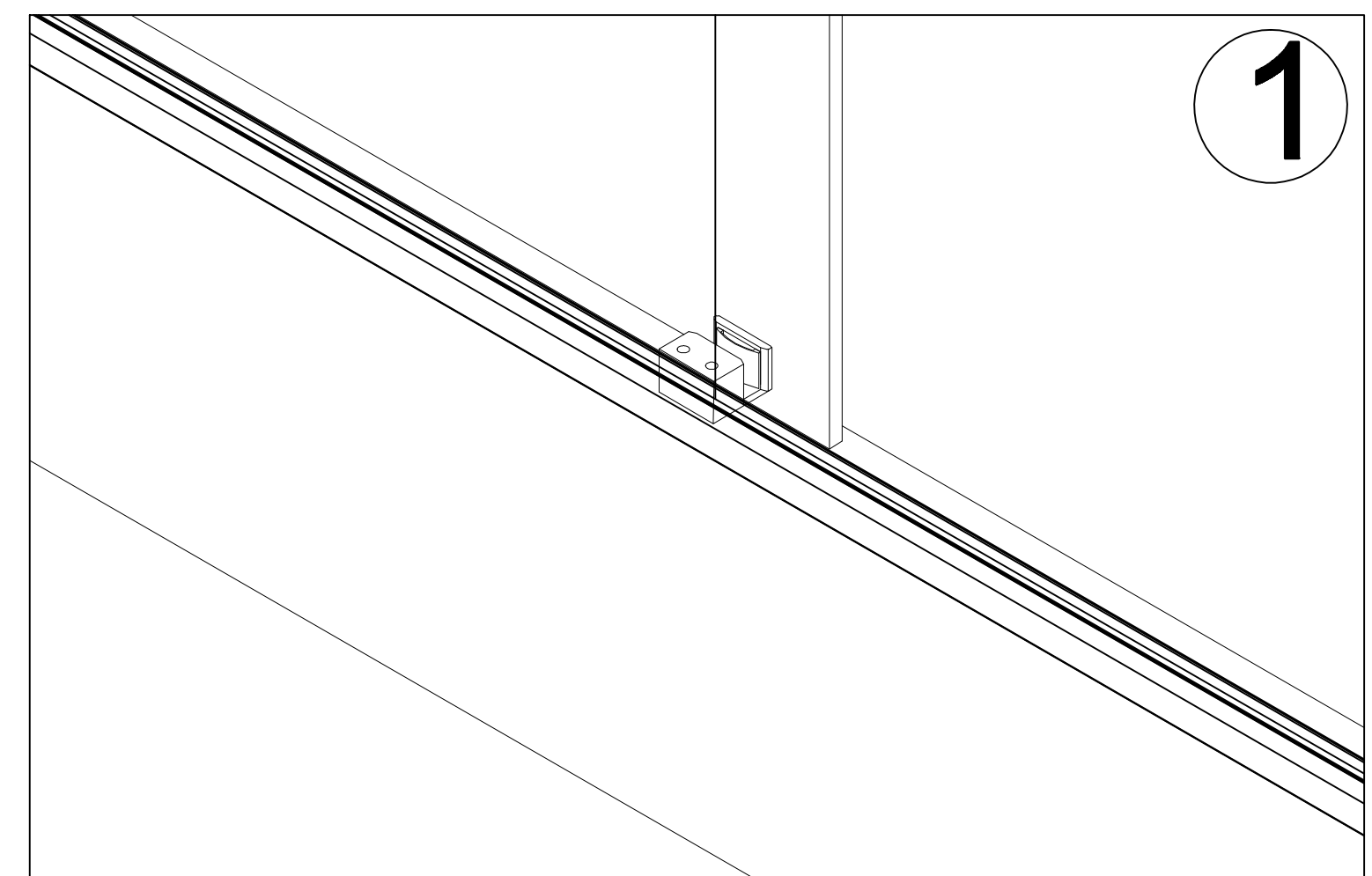
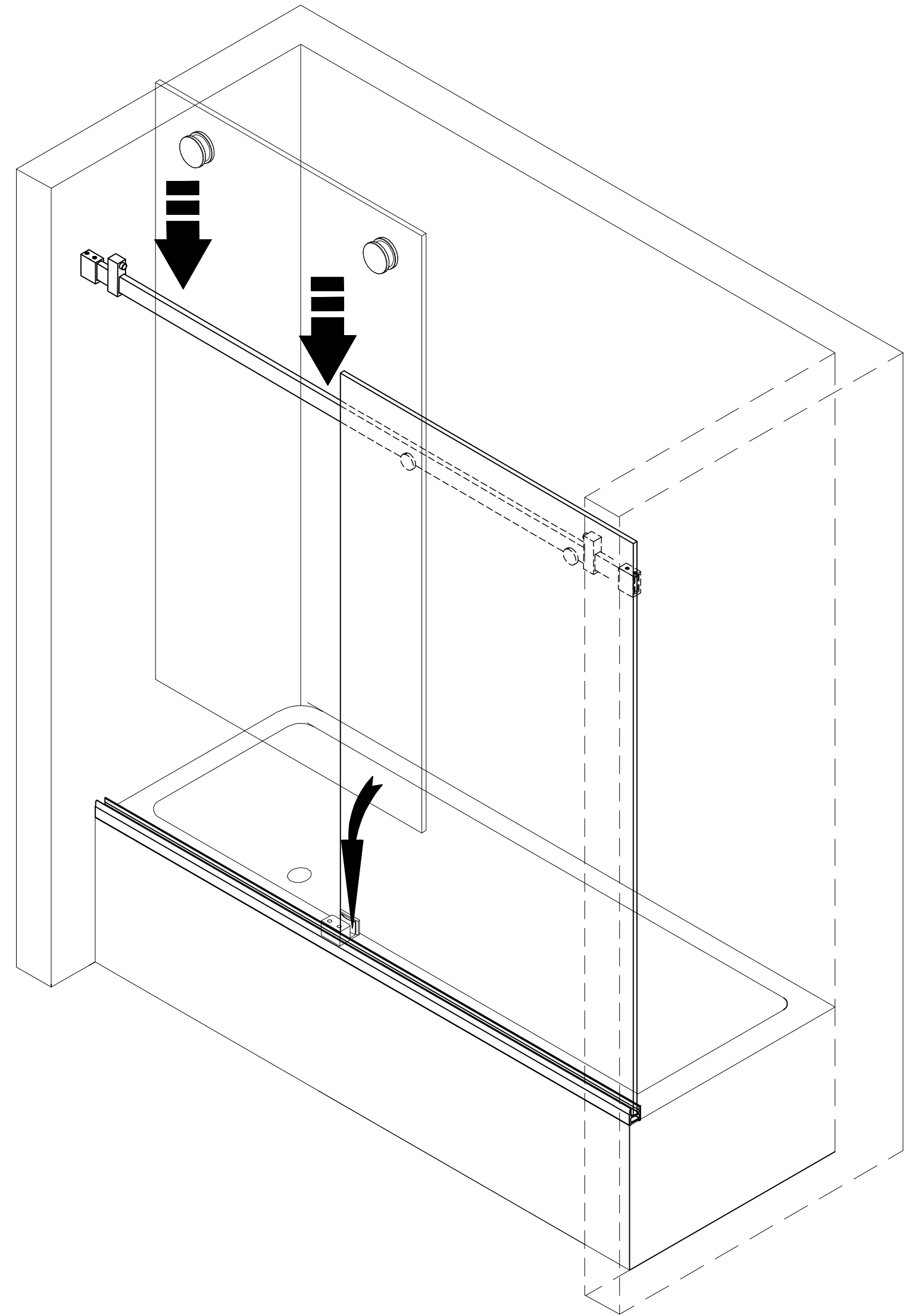


## Right Hand Assembly

### STEP 11

1. Make sure the bottom of the Roller Door inserts onto the Door Guide.

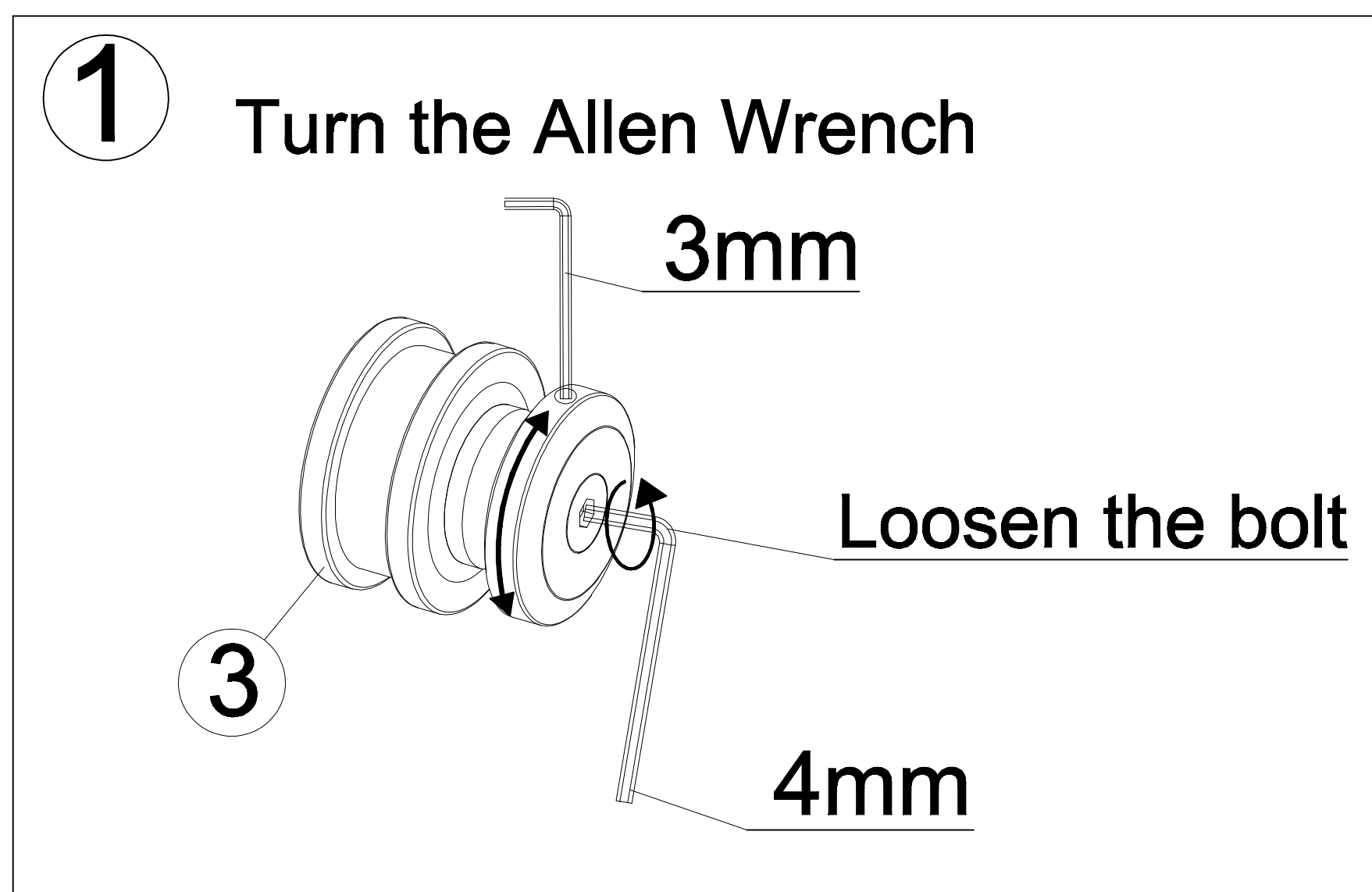
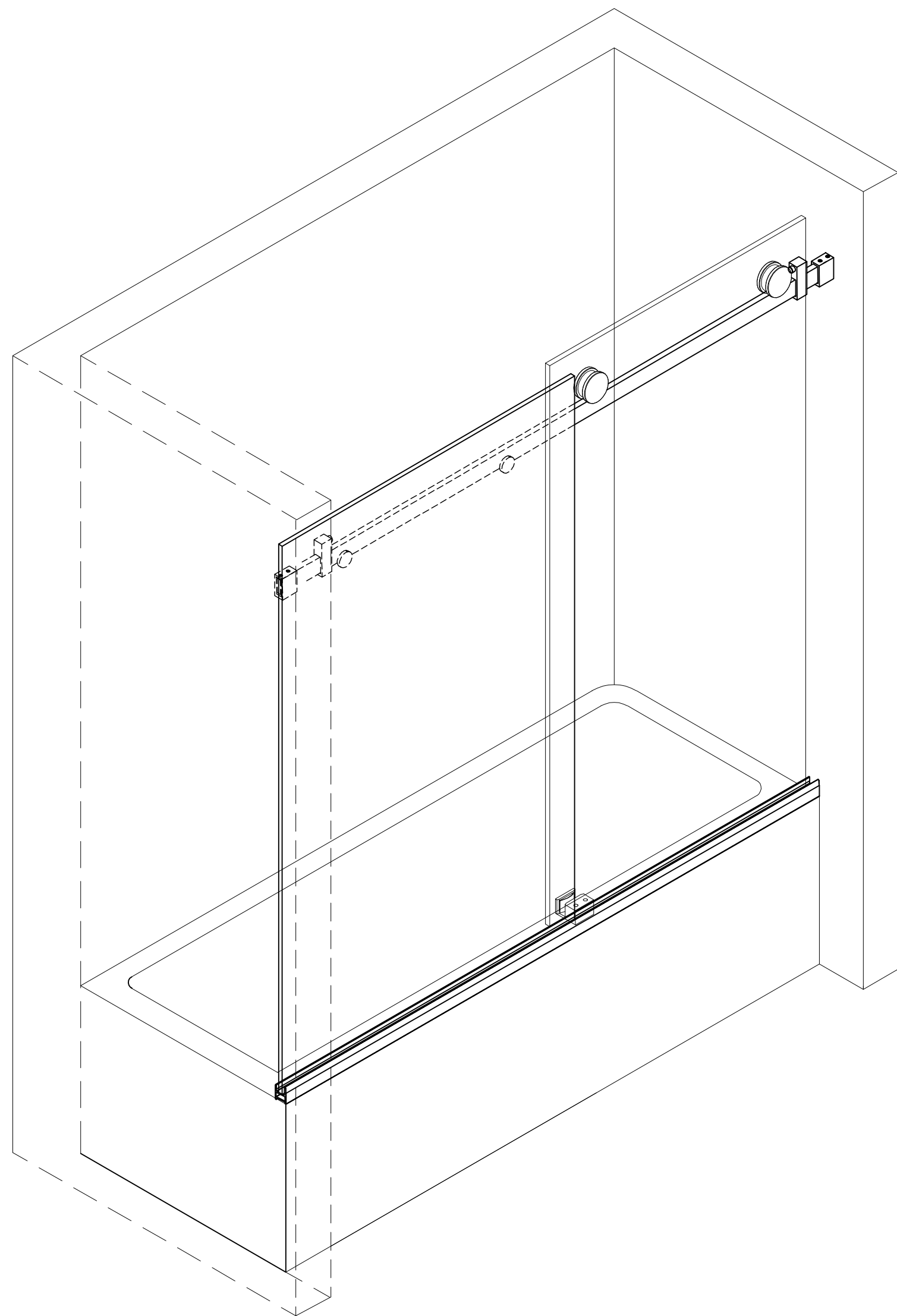
2. Hang the Roller Door onto the Top Rail.



## Left Hand Assembly

### STEP 12

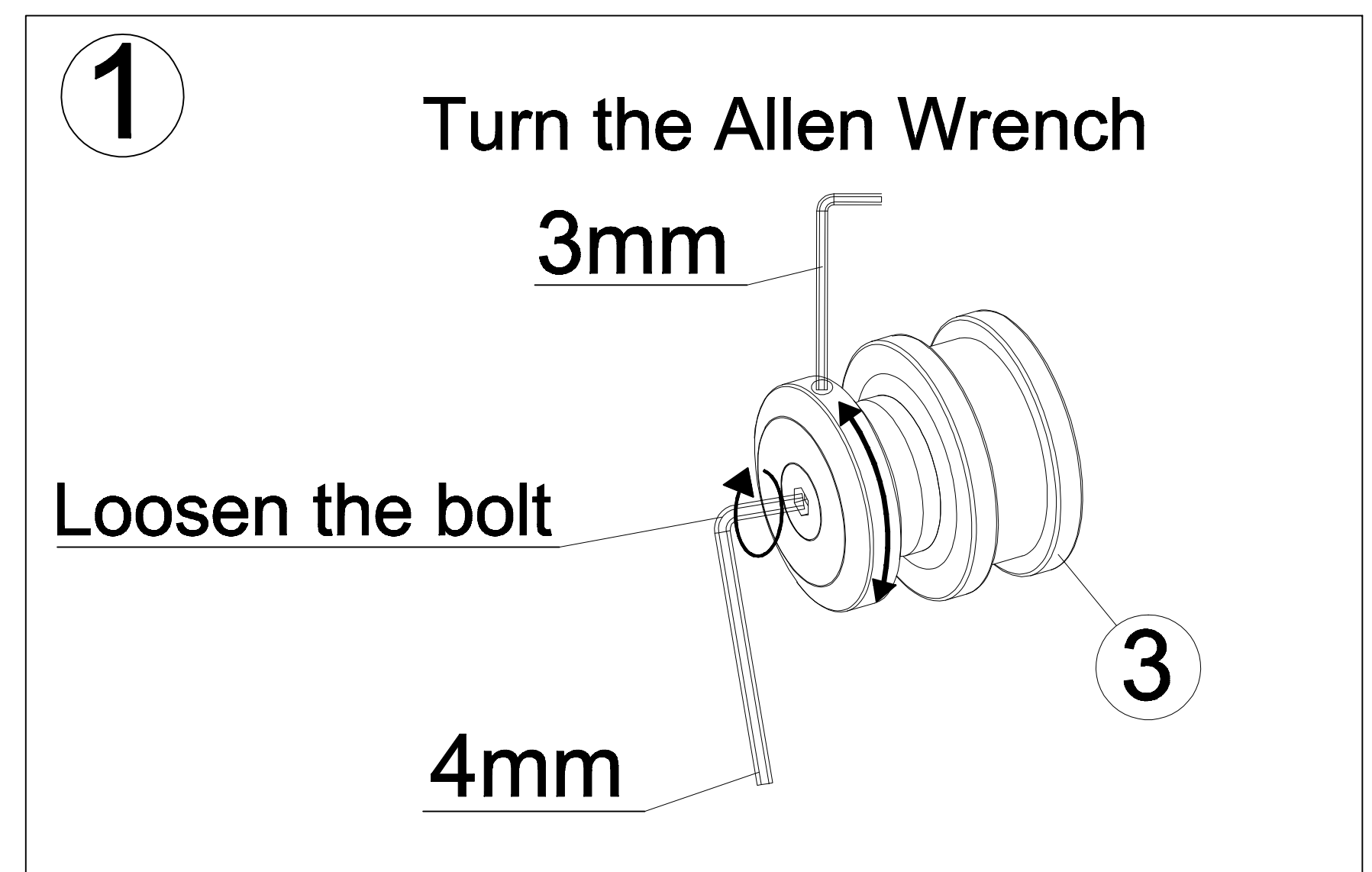
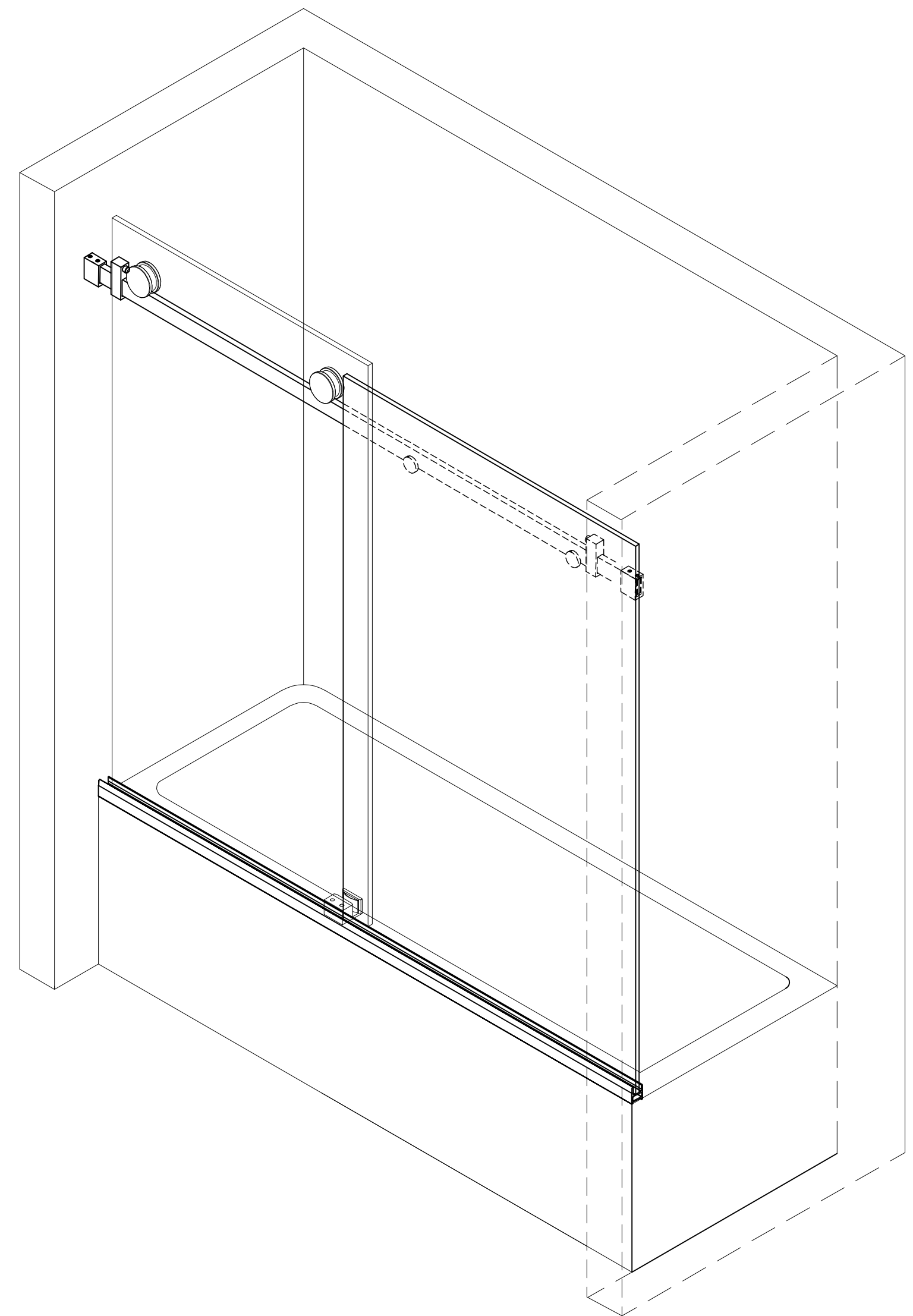
1. Adjust the Adjustable Roller by using a 4 mm and 3mm Allen Wrench on the same time. The Roller door could be adjusted higher or lower by utilizing the Adjustable Roller.



## Right Hand Assembly

### STEP 12

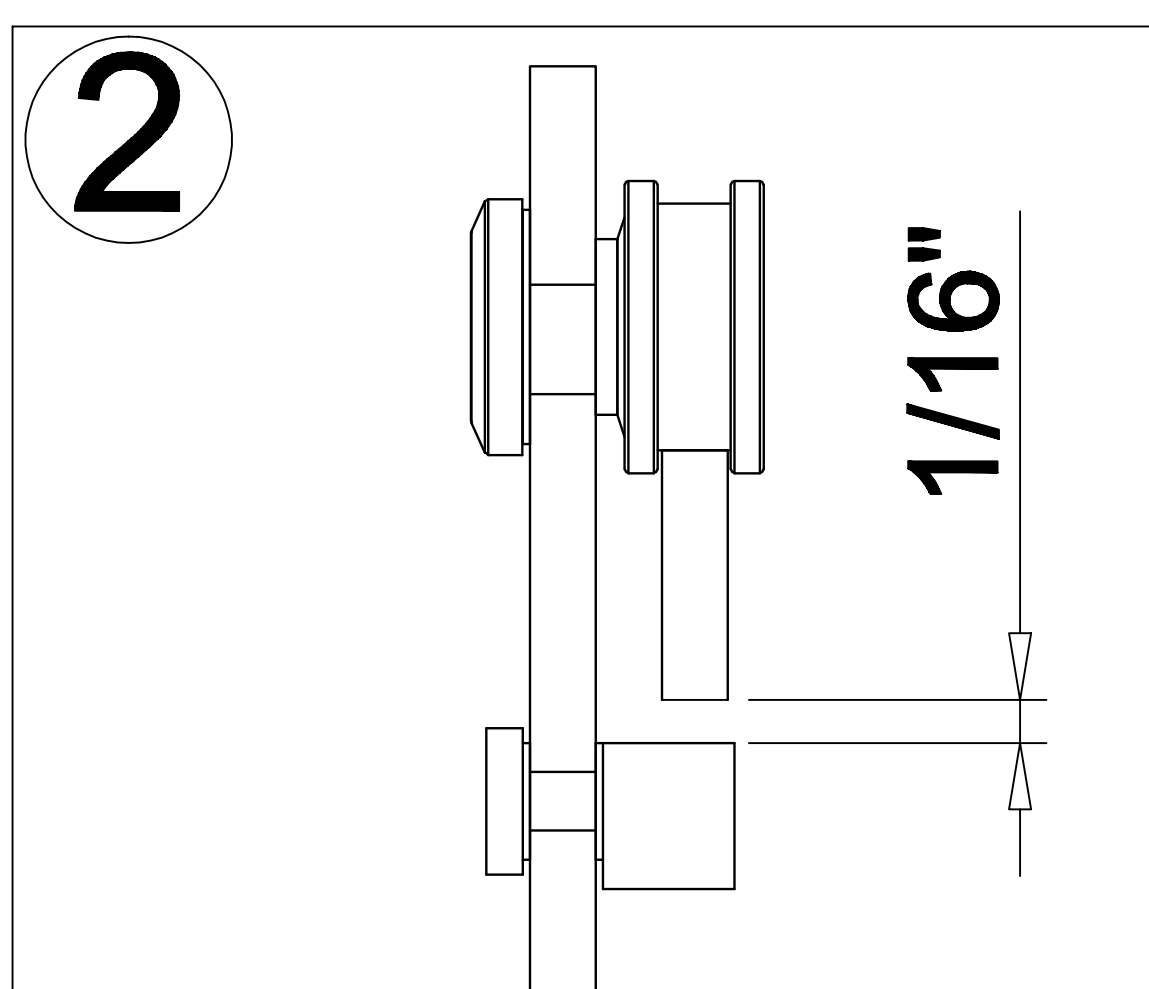
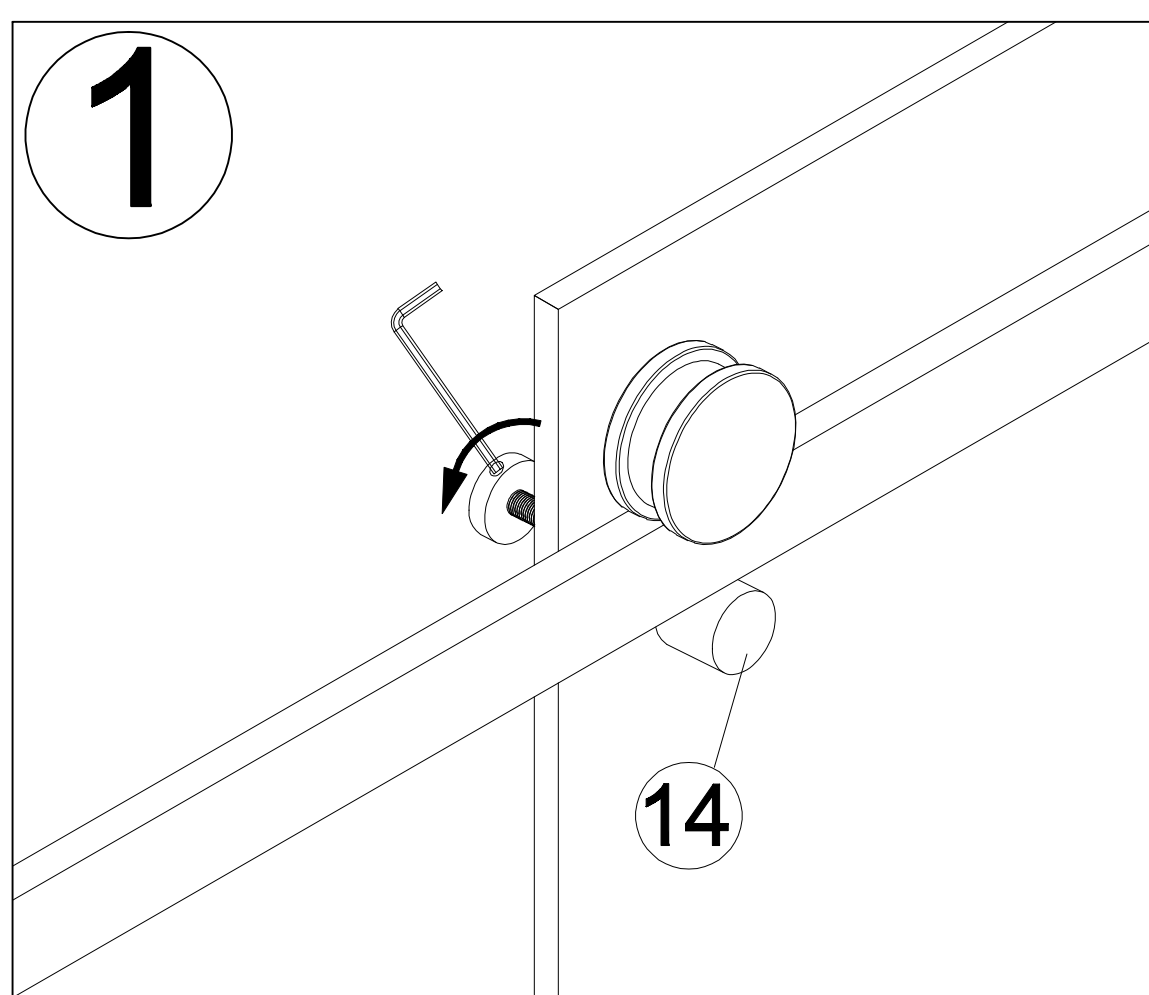
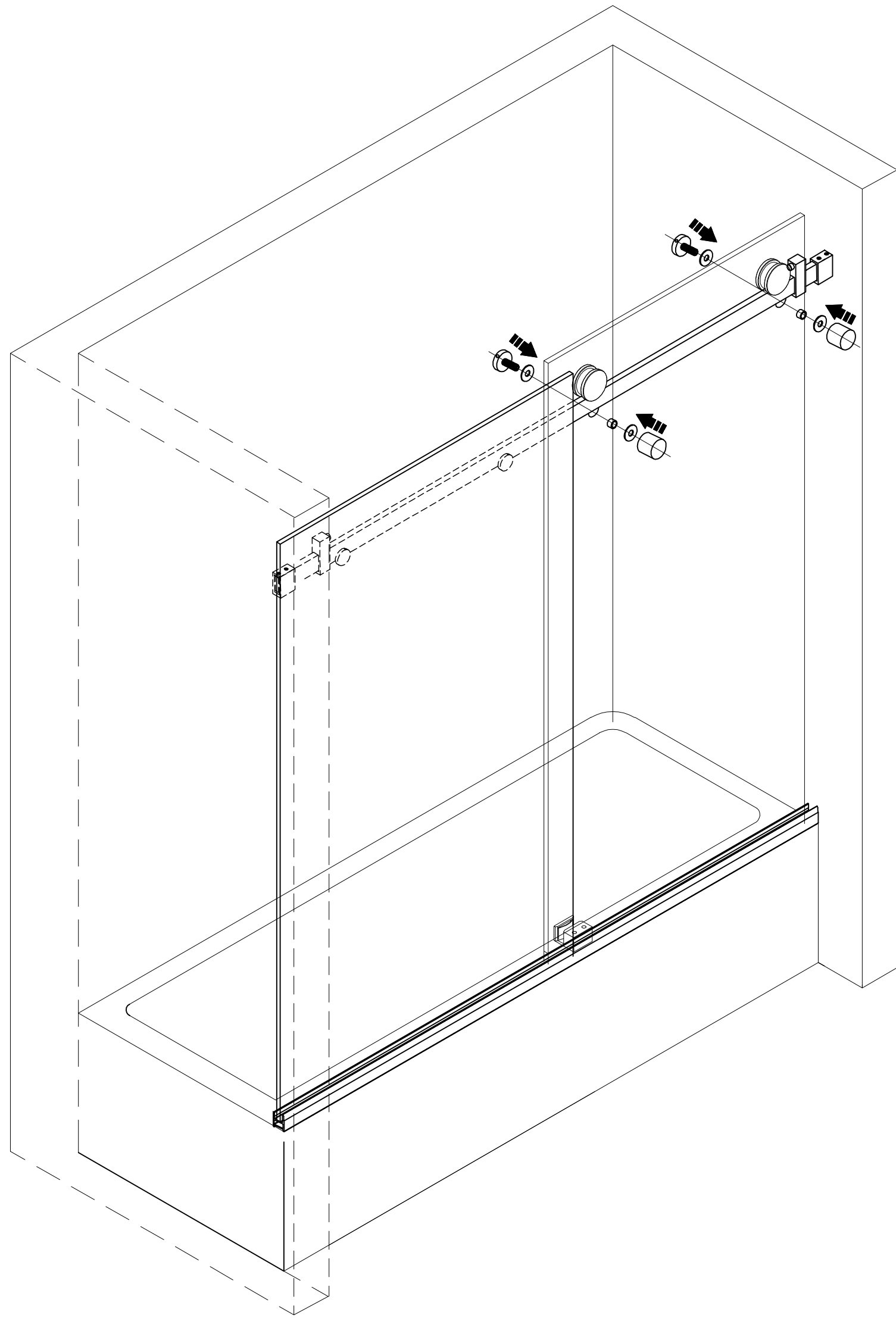
1. Adjust the Adjustable Roller by using a 4 mm and 3mm Allen Wrench on the same time. The Roller door could be adjusted higher or lower by utilizing the Adjustable Roller.



## Left Hand Assembly

### STEP 13

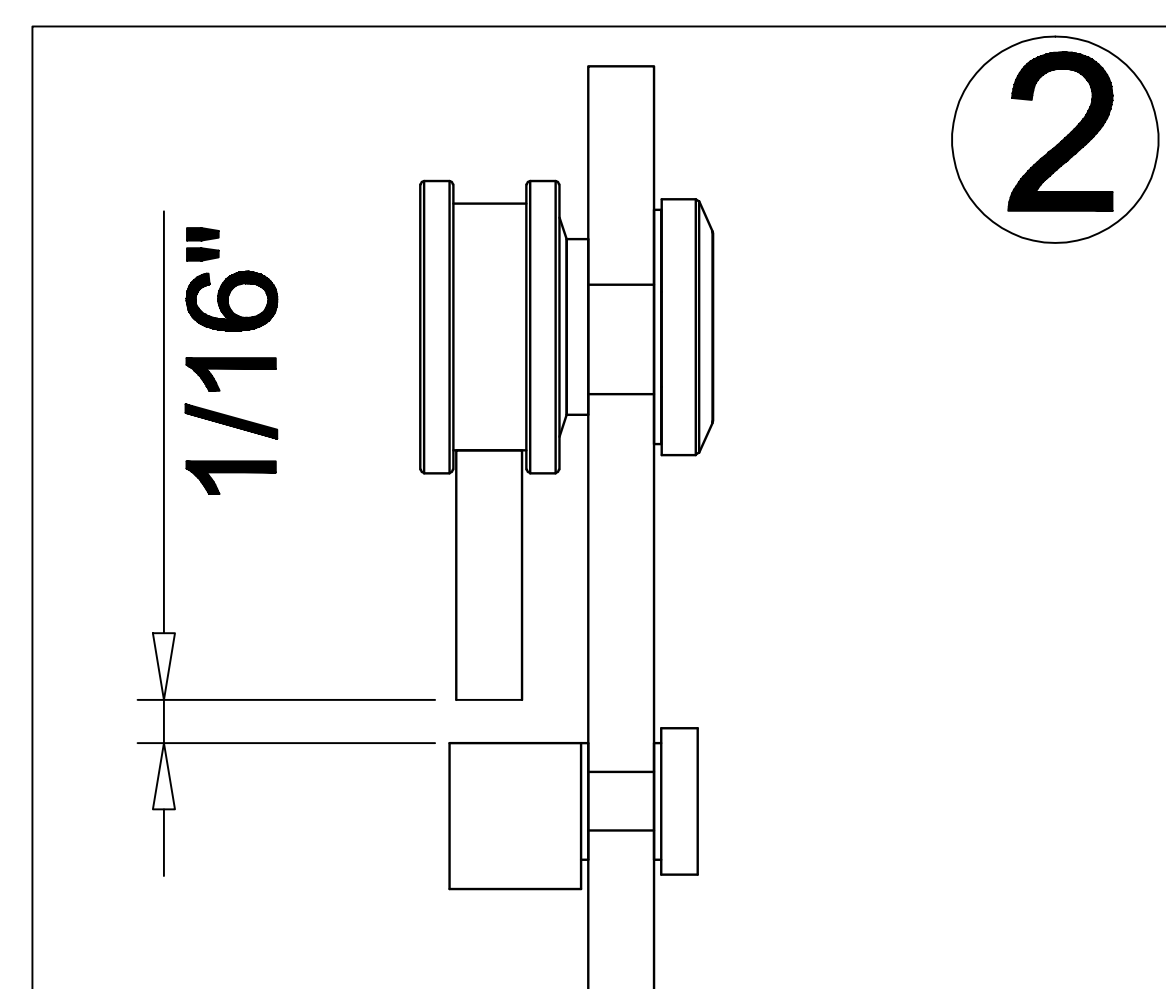
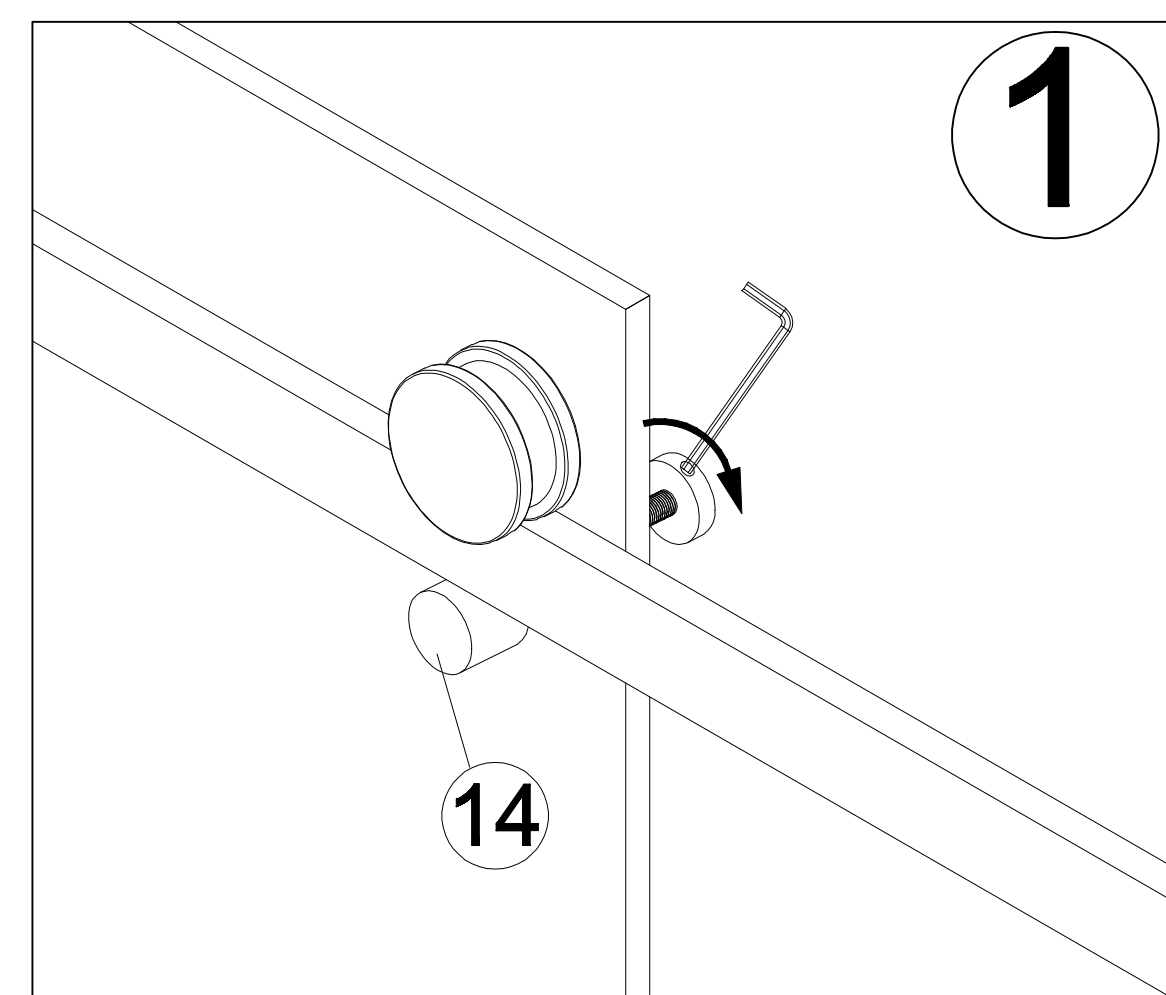
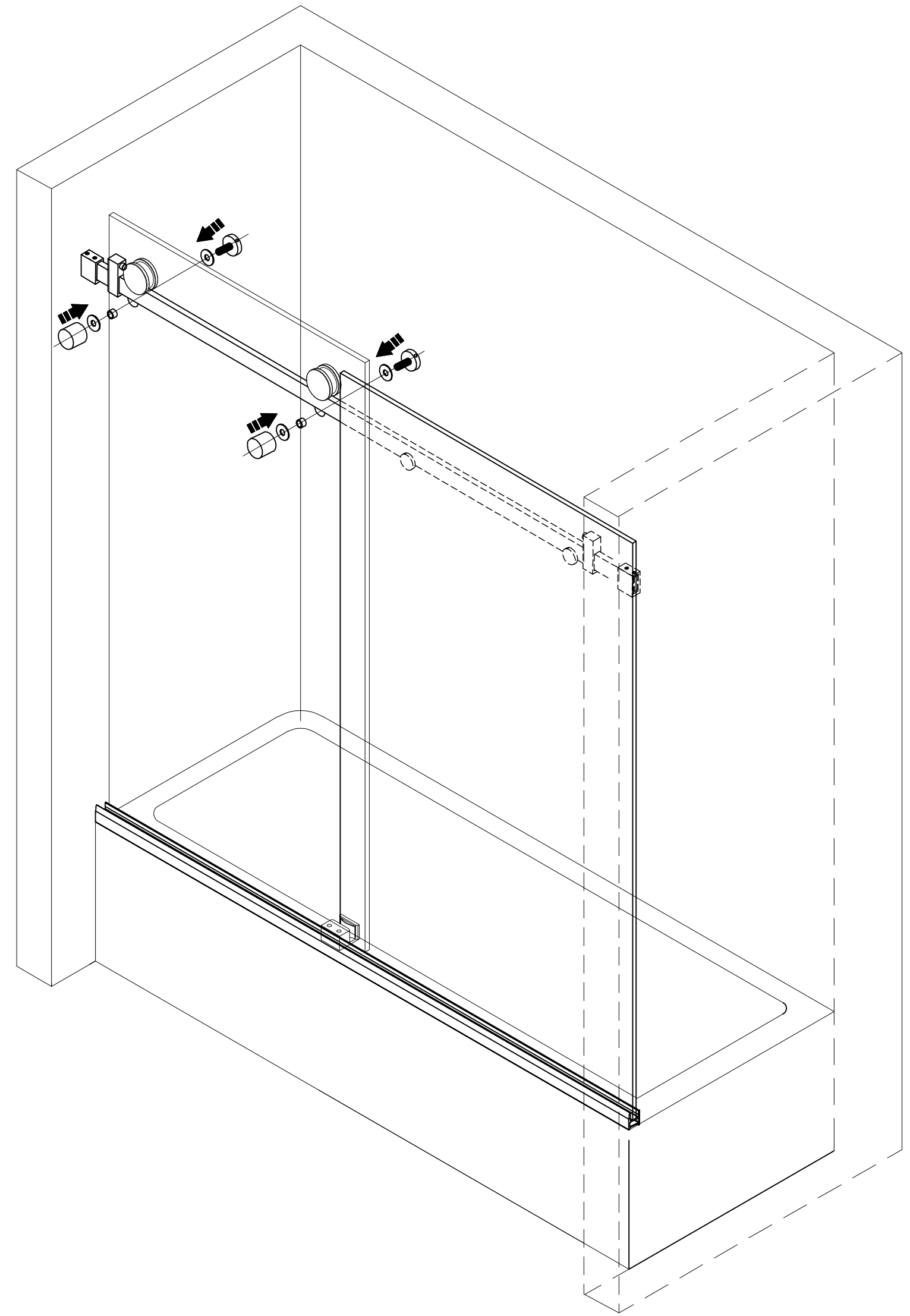
1. Install the Anti-Jumper (4).
2. The distance between the Anti-Jumper and the Top Rail should be  $1/16"$ .



## Right Hand Assembly

### STEP 13

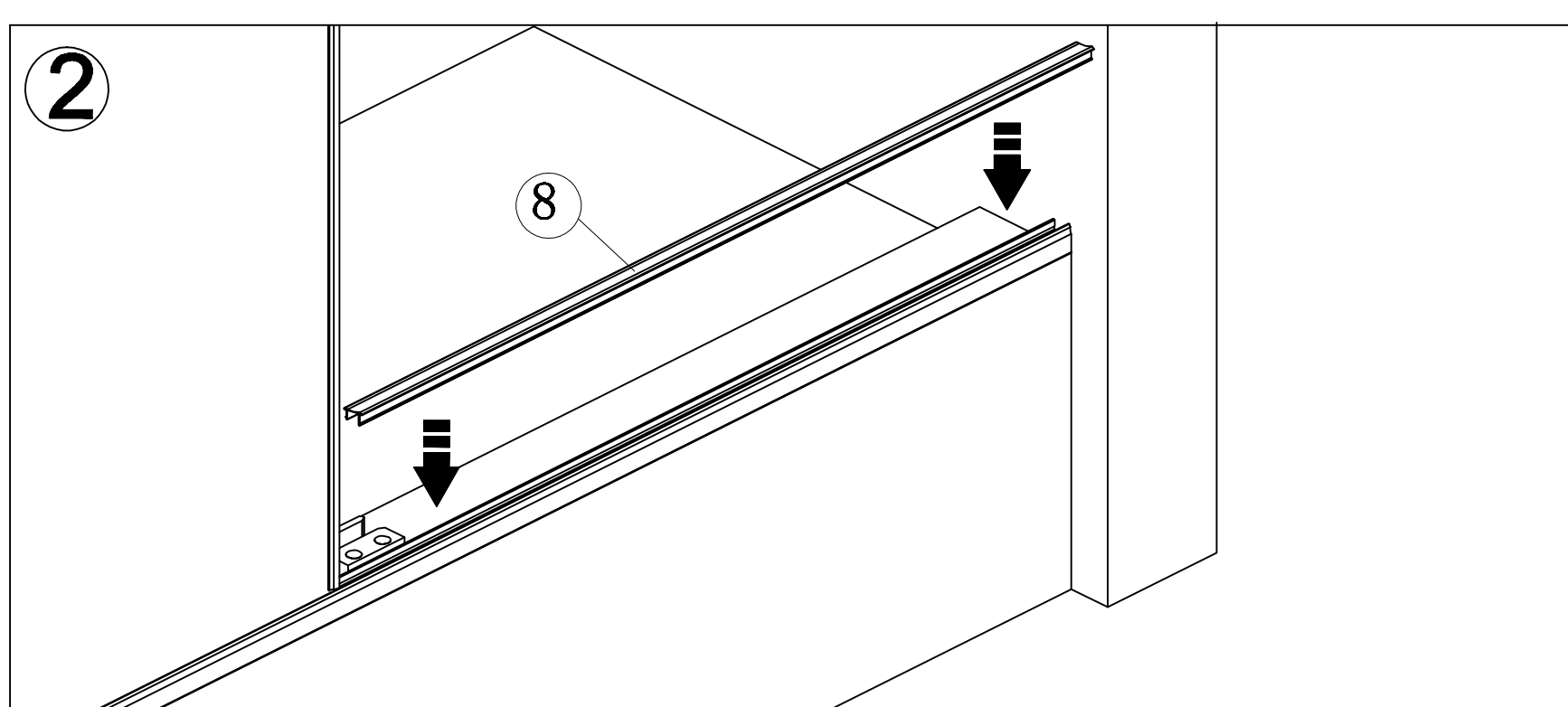
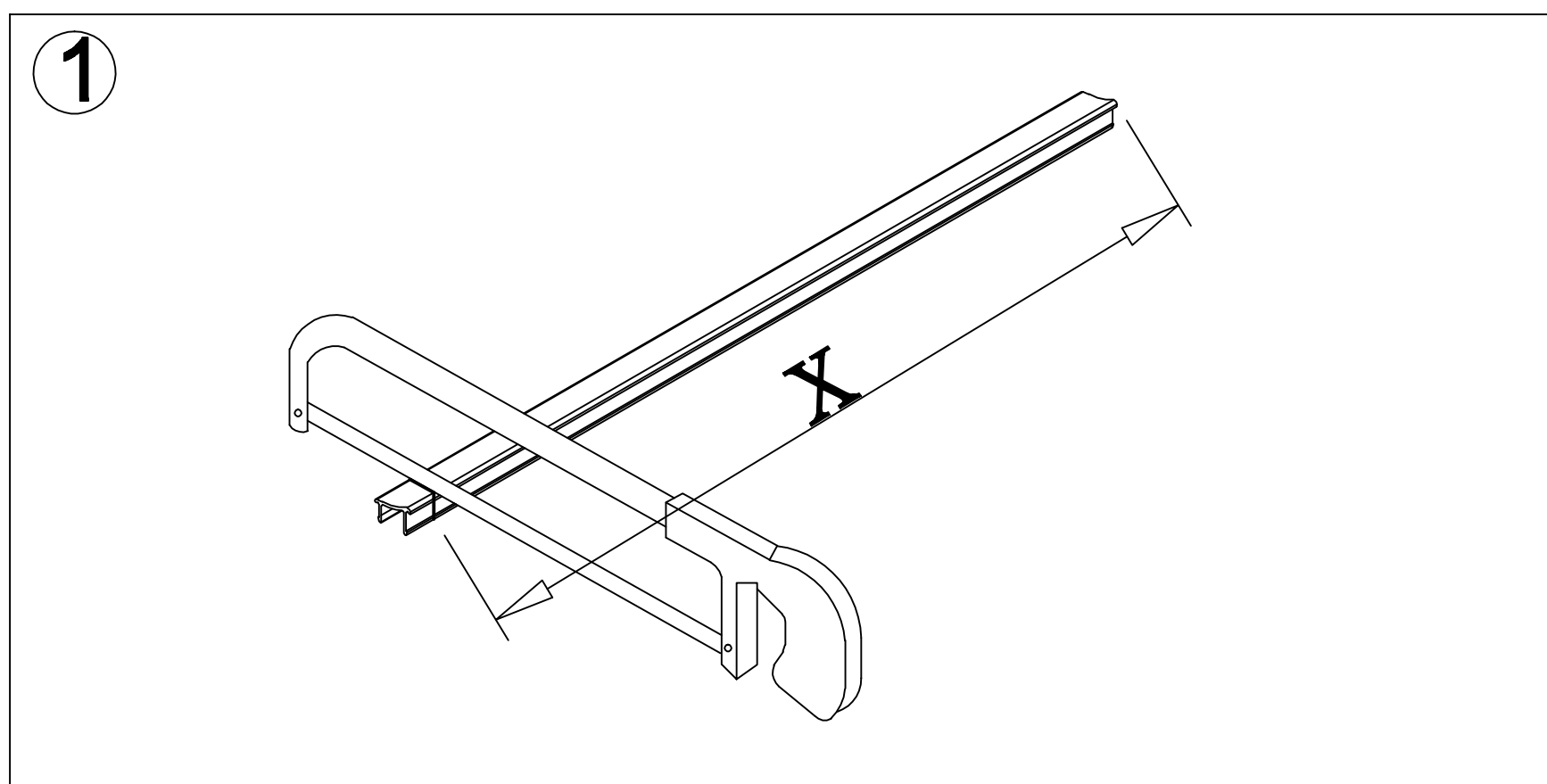
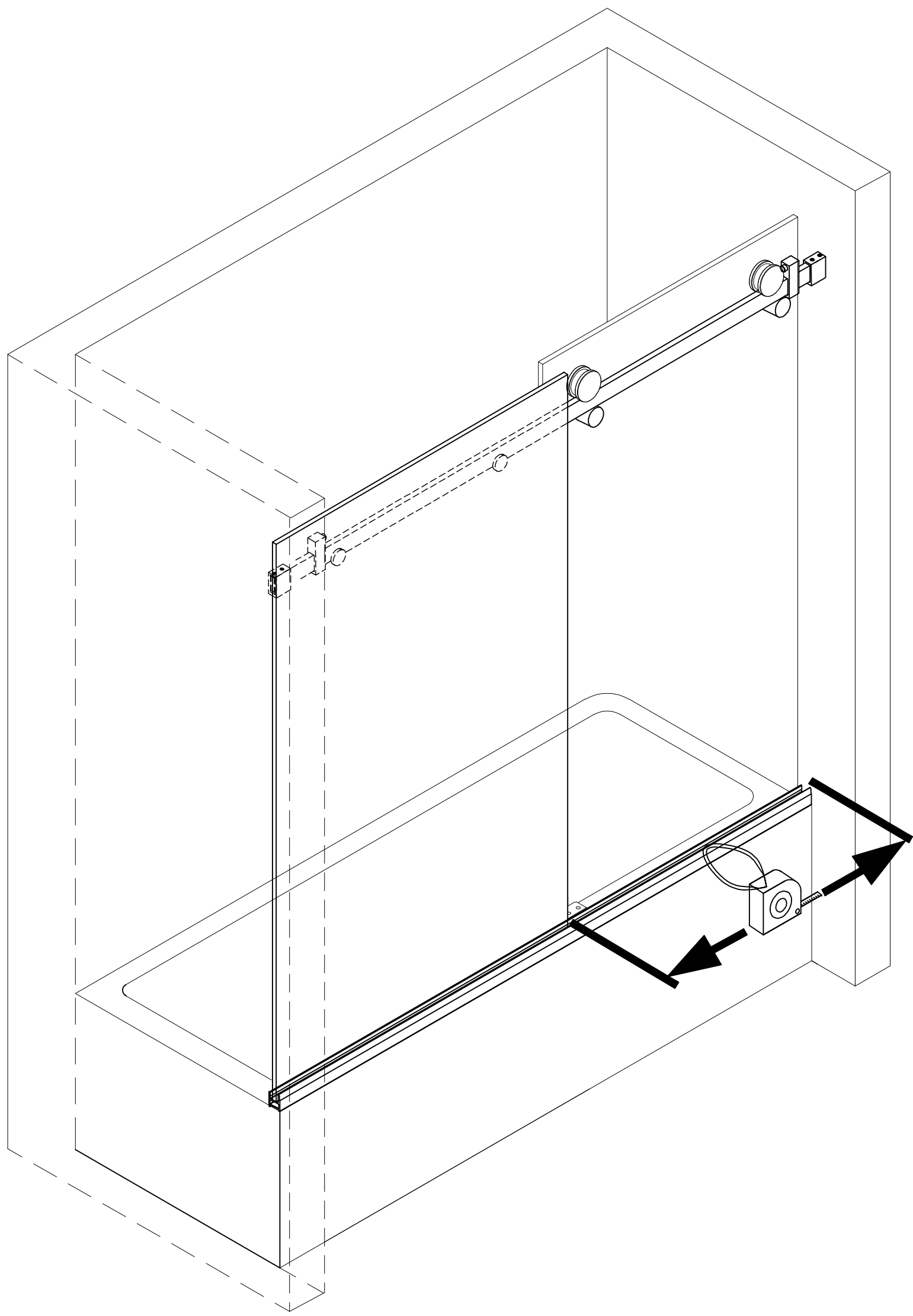
1. Install the Anti-Jumper (4).
2. The distance between the Anti-Jumper and the Top Rail should be  $1/16"$ .



## Left Hand Assembly

### STEP 14

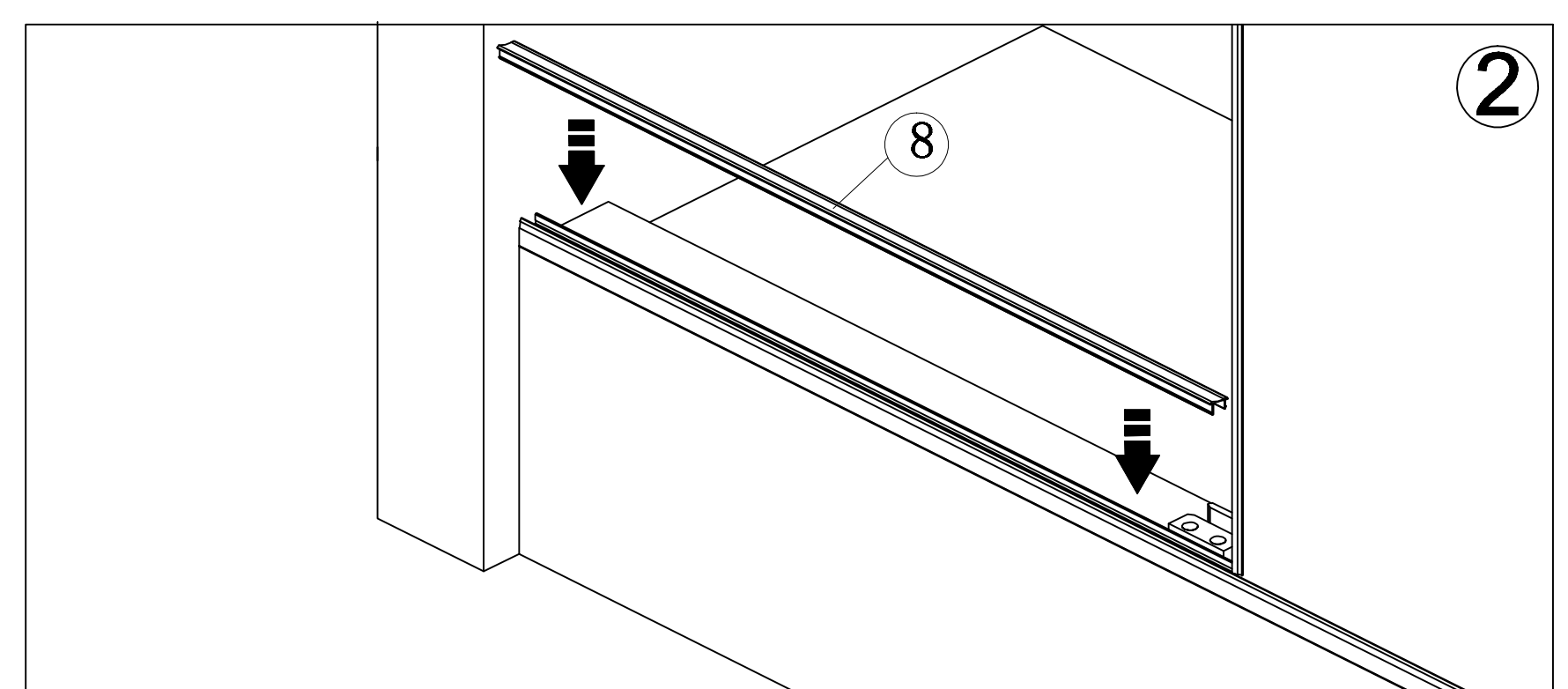
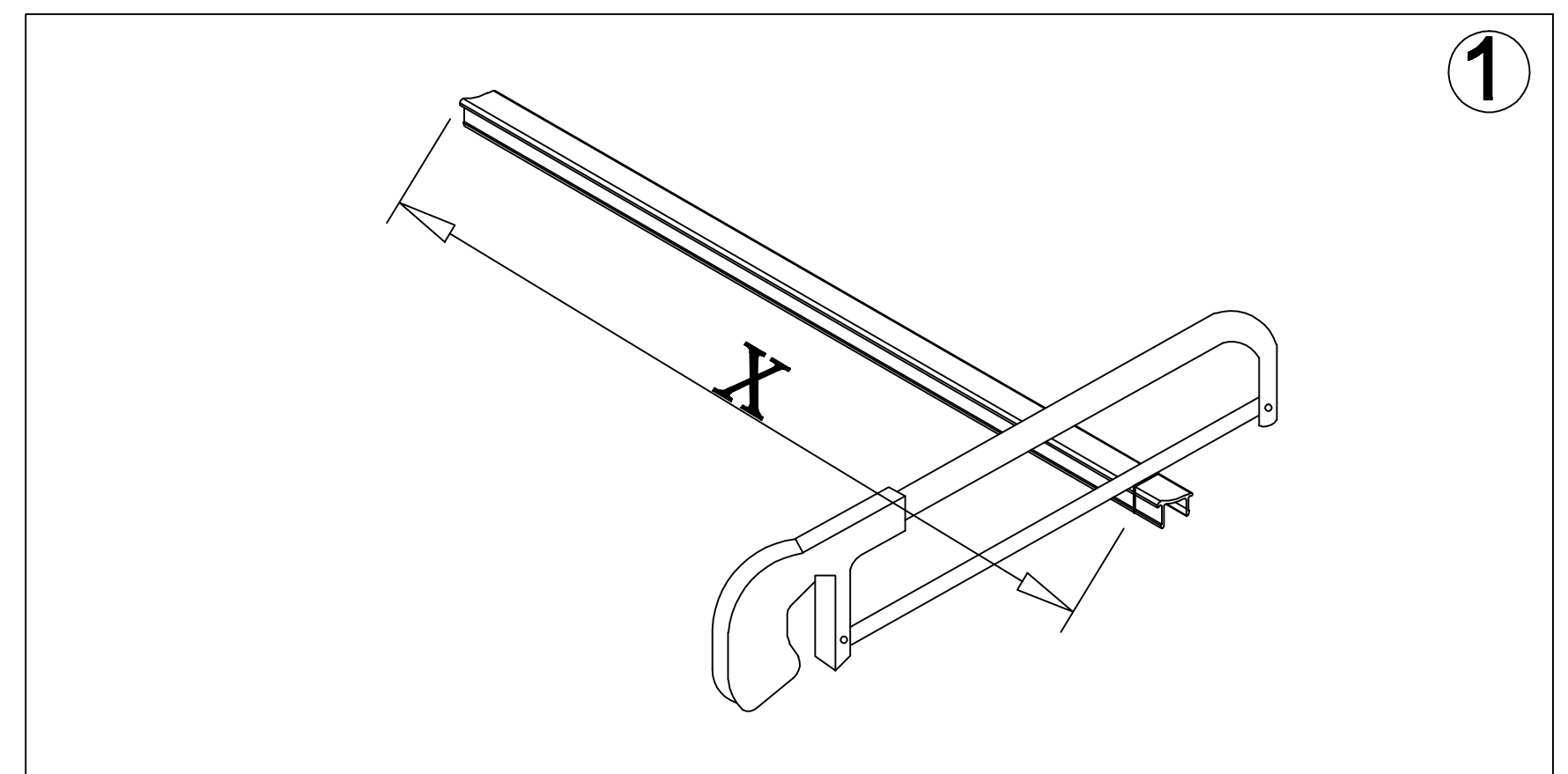
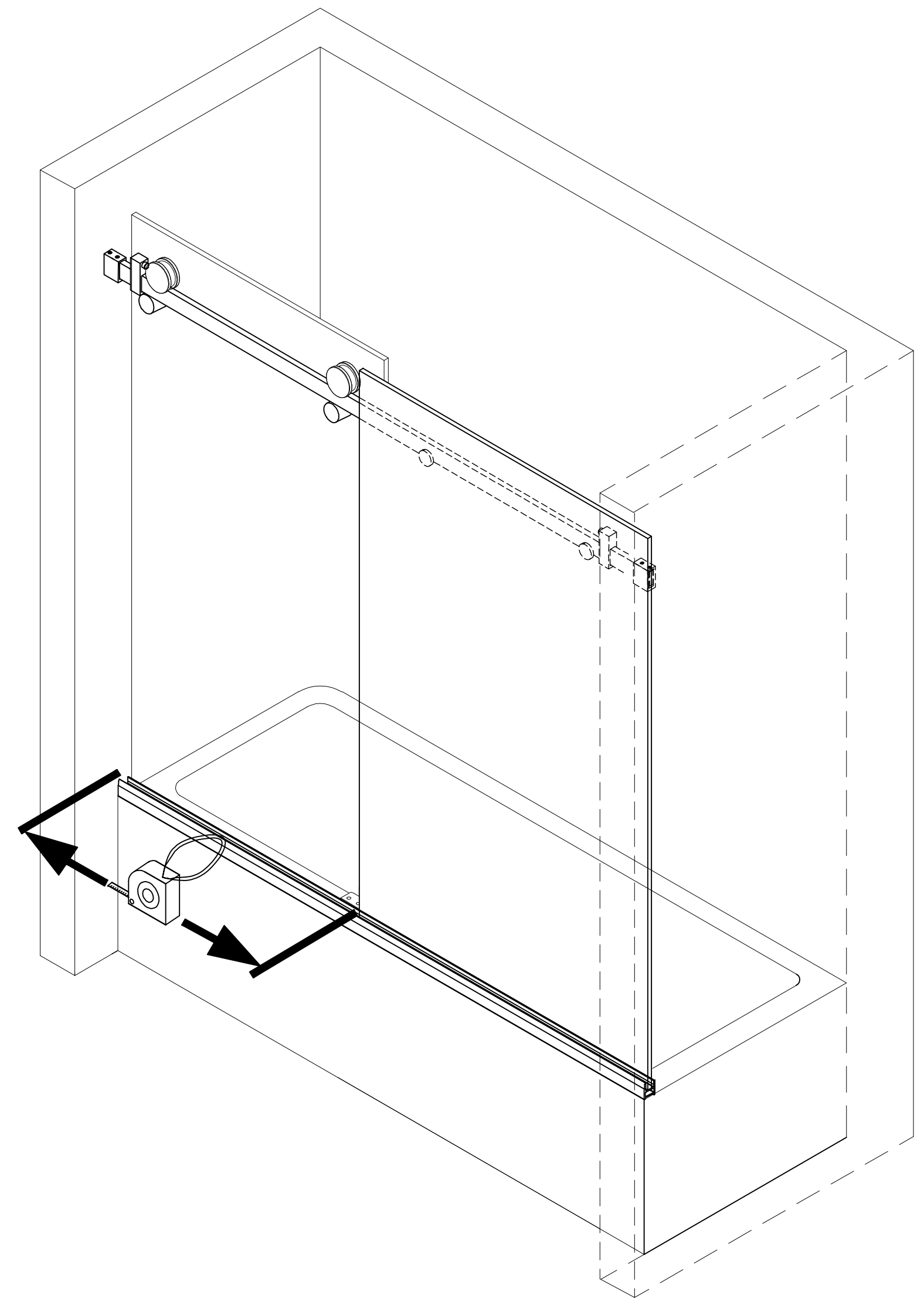
1. Cut the Threshold (8) to correct size of opening.  
(This size will vary per unit).
2. Install the Threshold (8) on top of Door Bottom Guide (11).



## Right Hand Assembly

### STEP 14

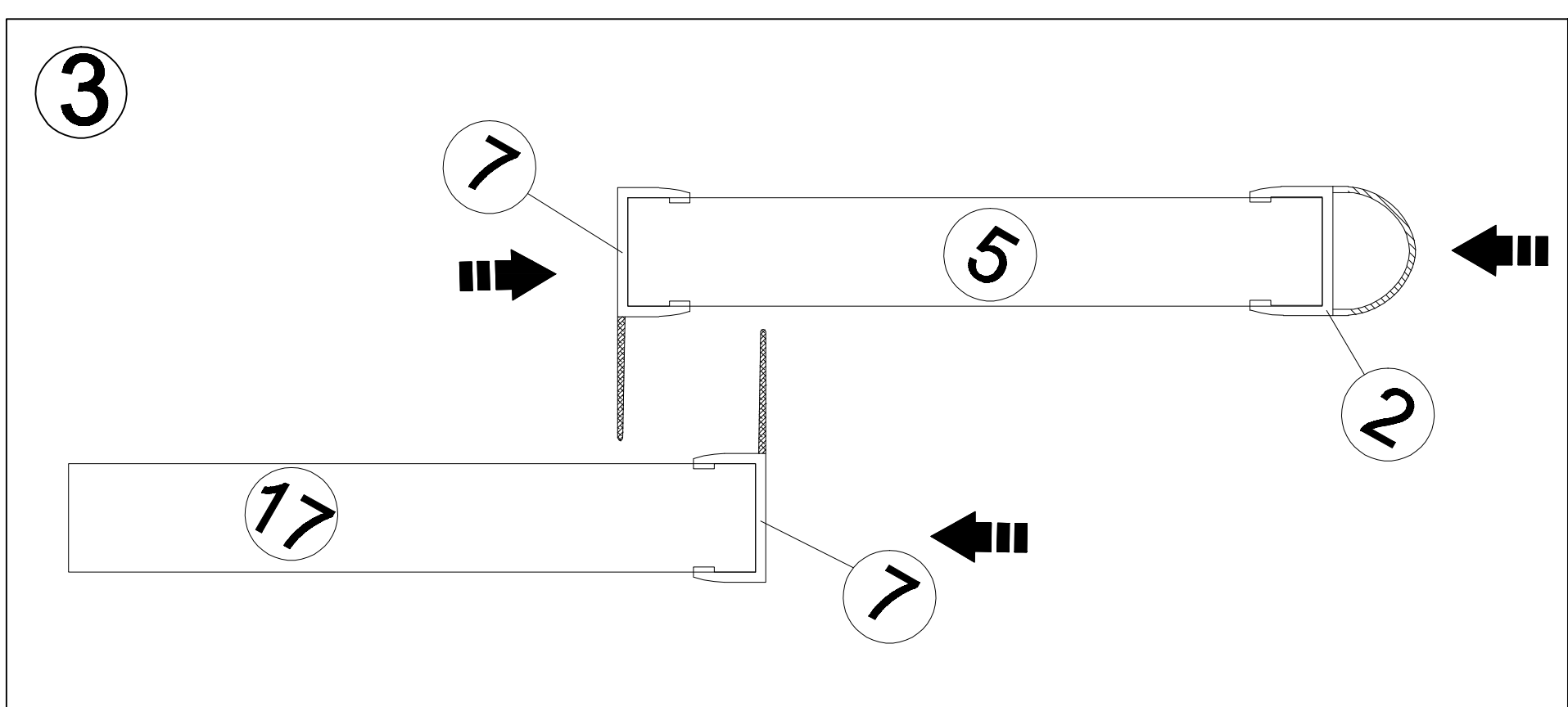
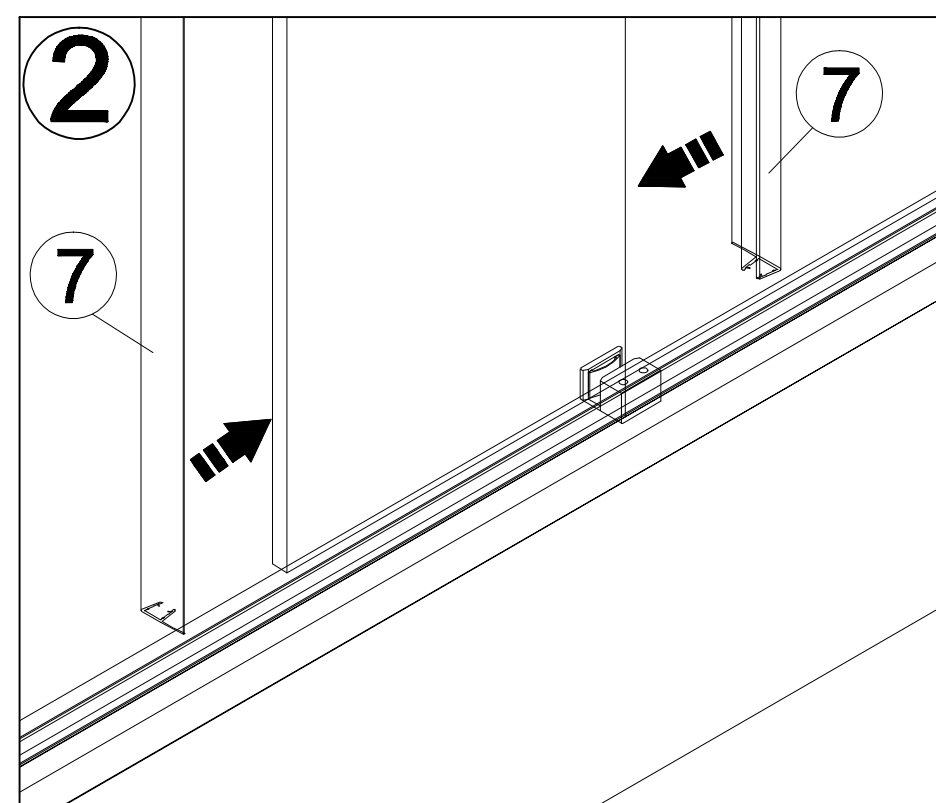
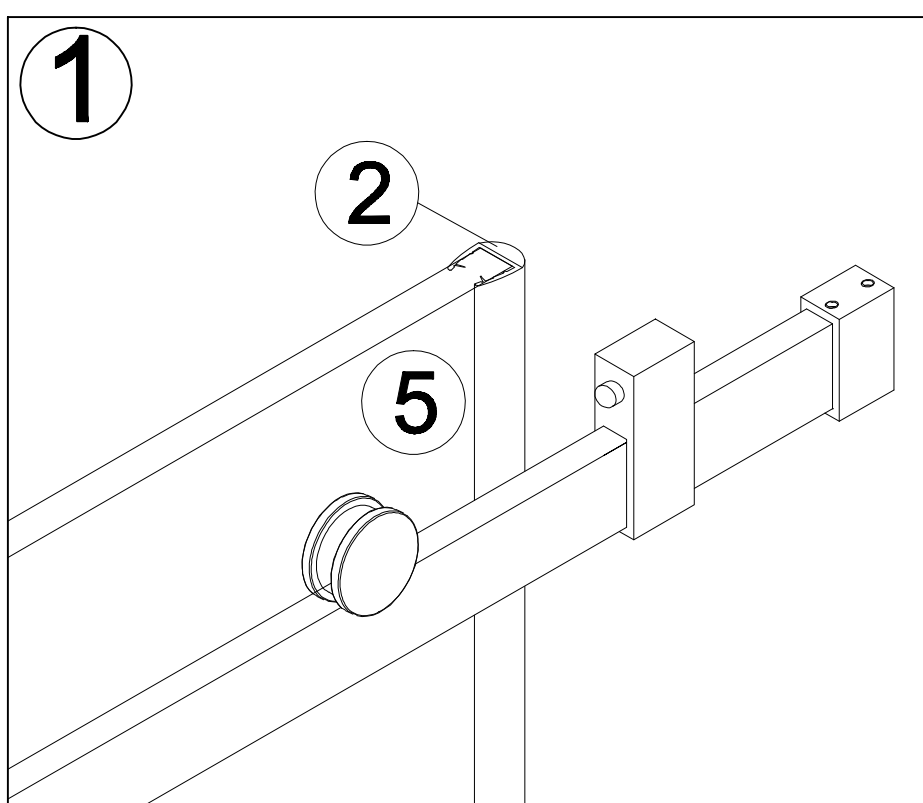
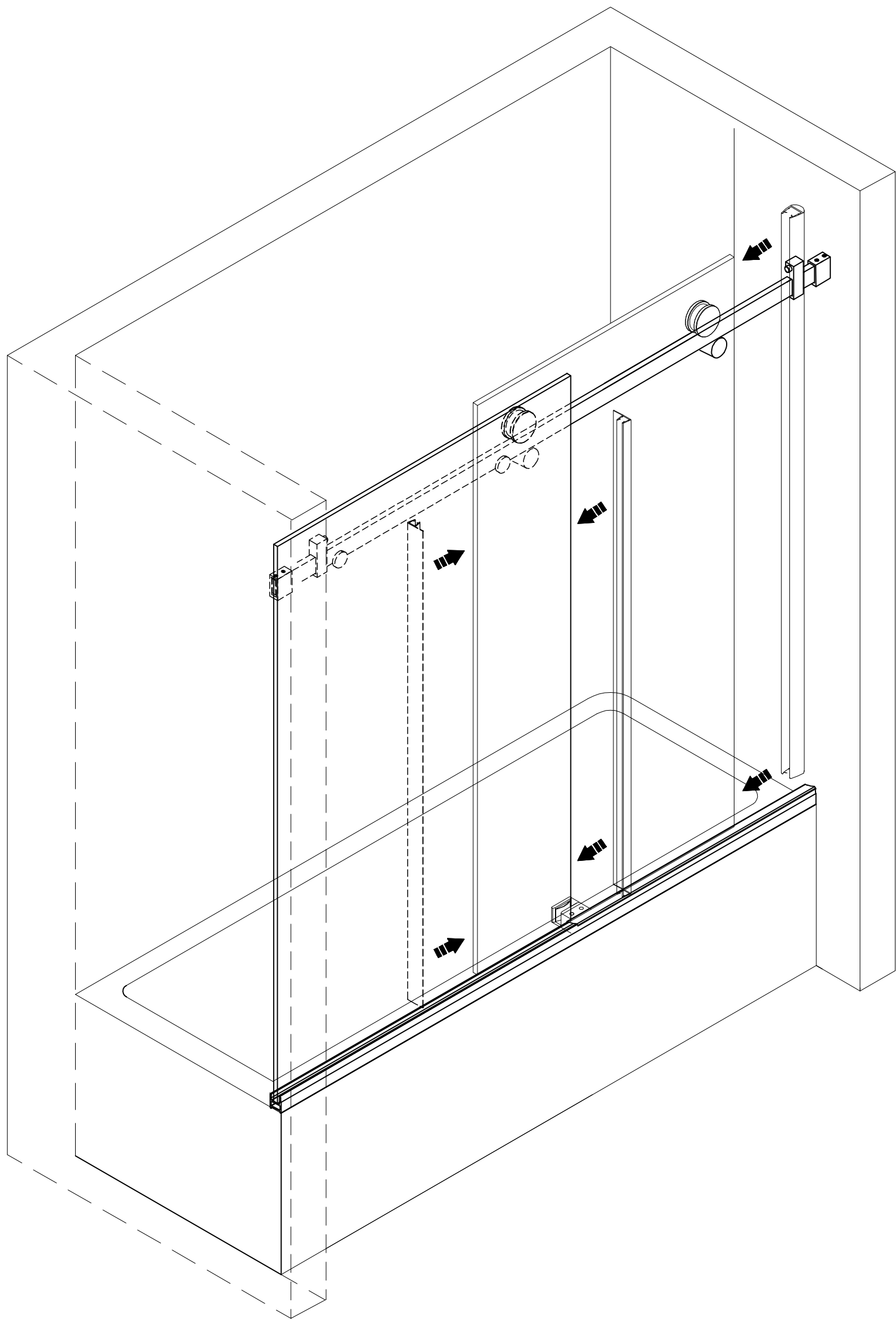
1. Cut the Threshold (8) to correct size of opening.  
(This size will vary per unit).
2. Install the Threshold (8) on top of Door Bottom Guide (11).



## Left Hand Assembly

### STEP 15

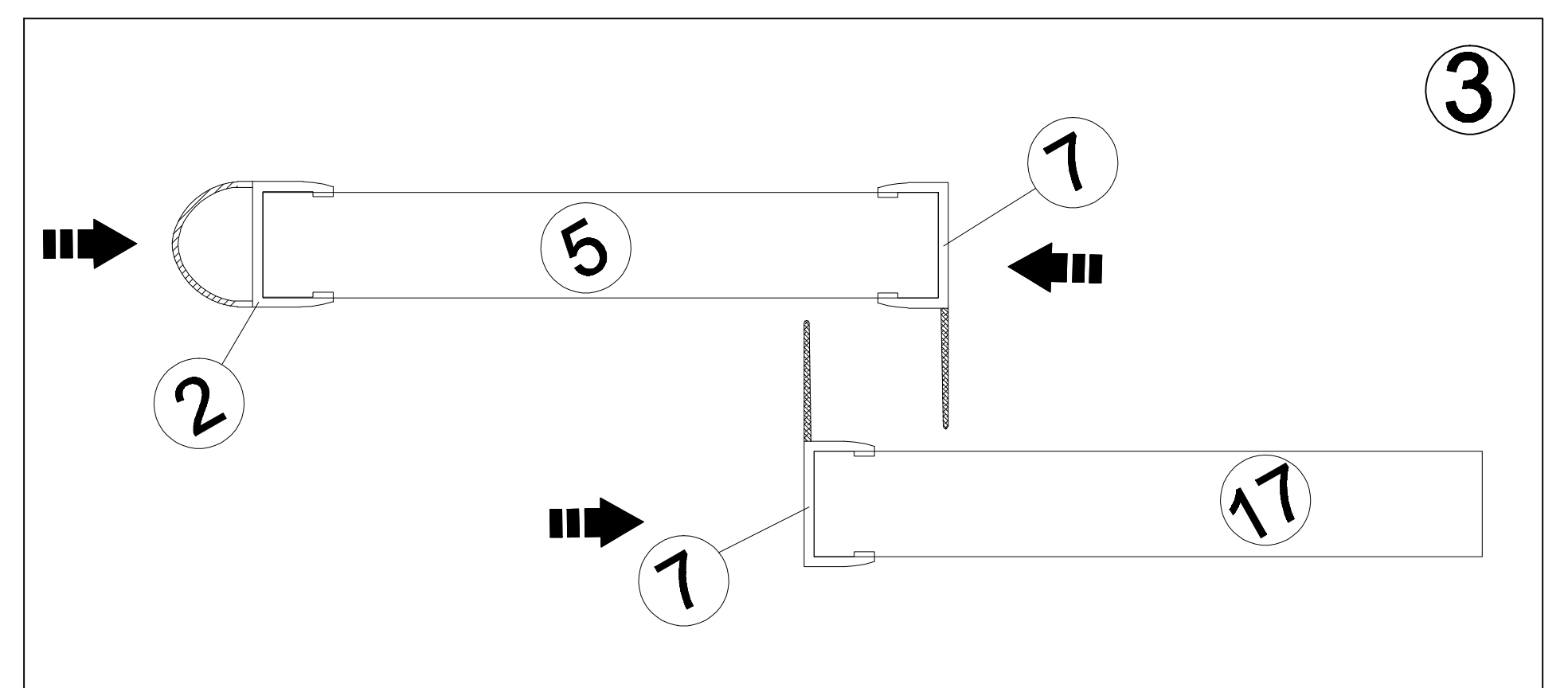
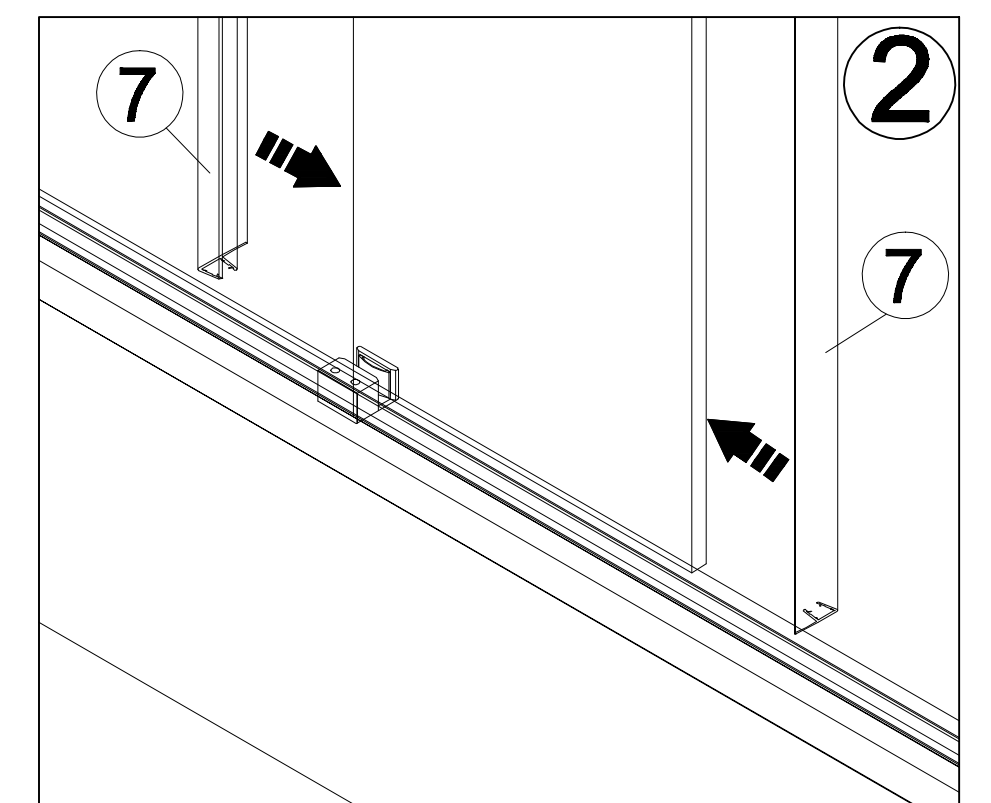
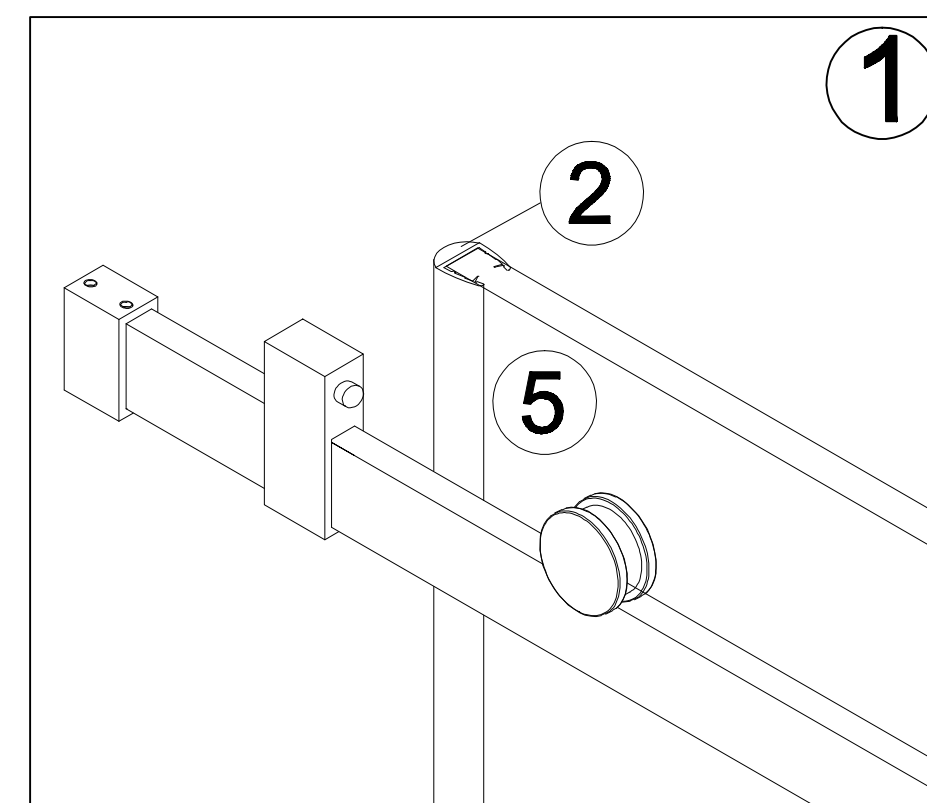
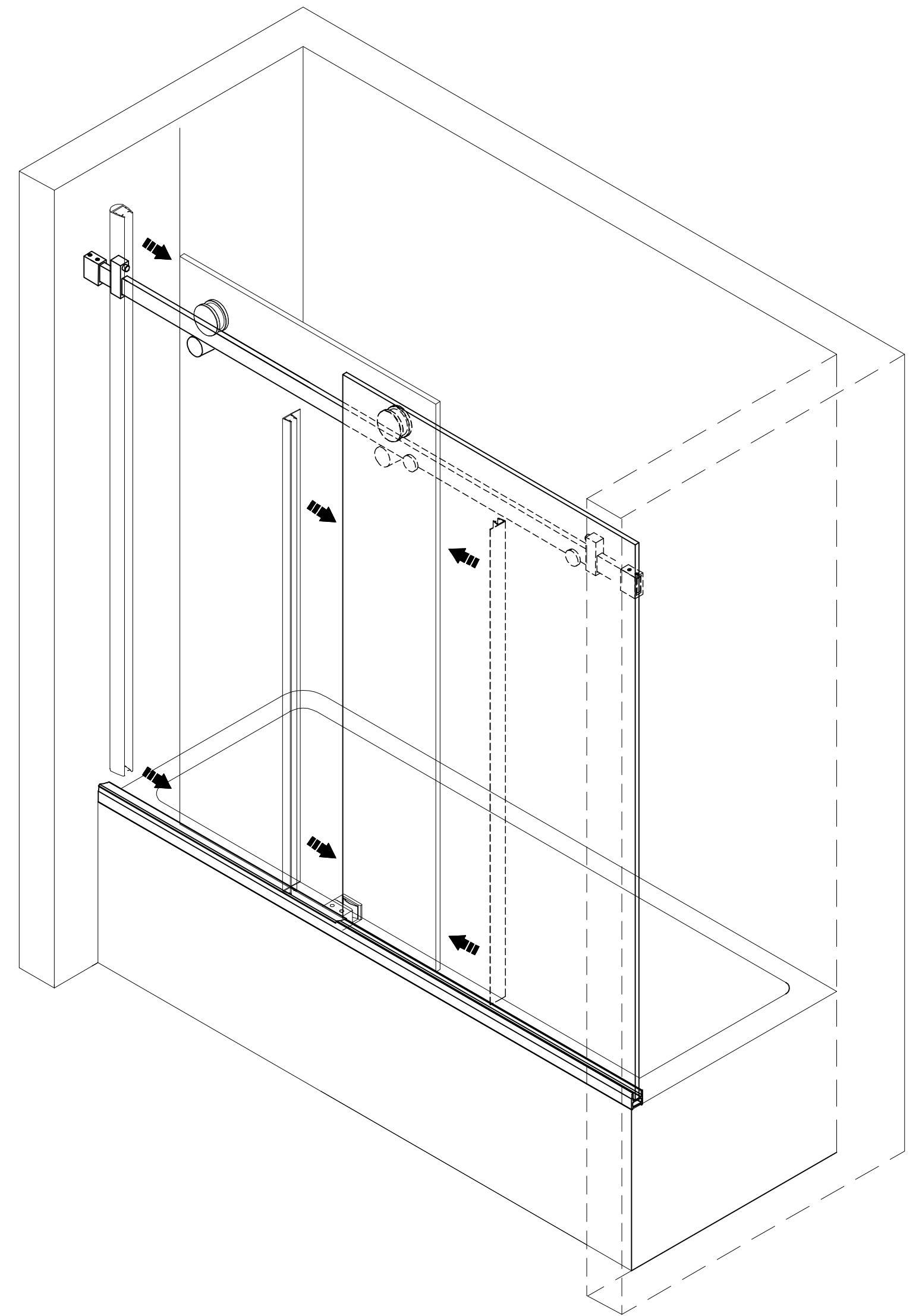
1. Place the Bumper Strip (2) on the side of Roller Door (5).
2. Install 2 Water Retainer Gasket(7).



## Right Hand Assembly

### STEP 15

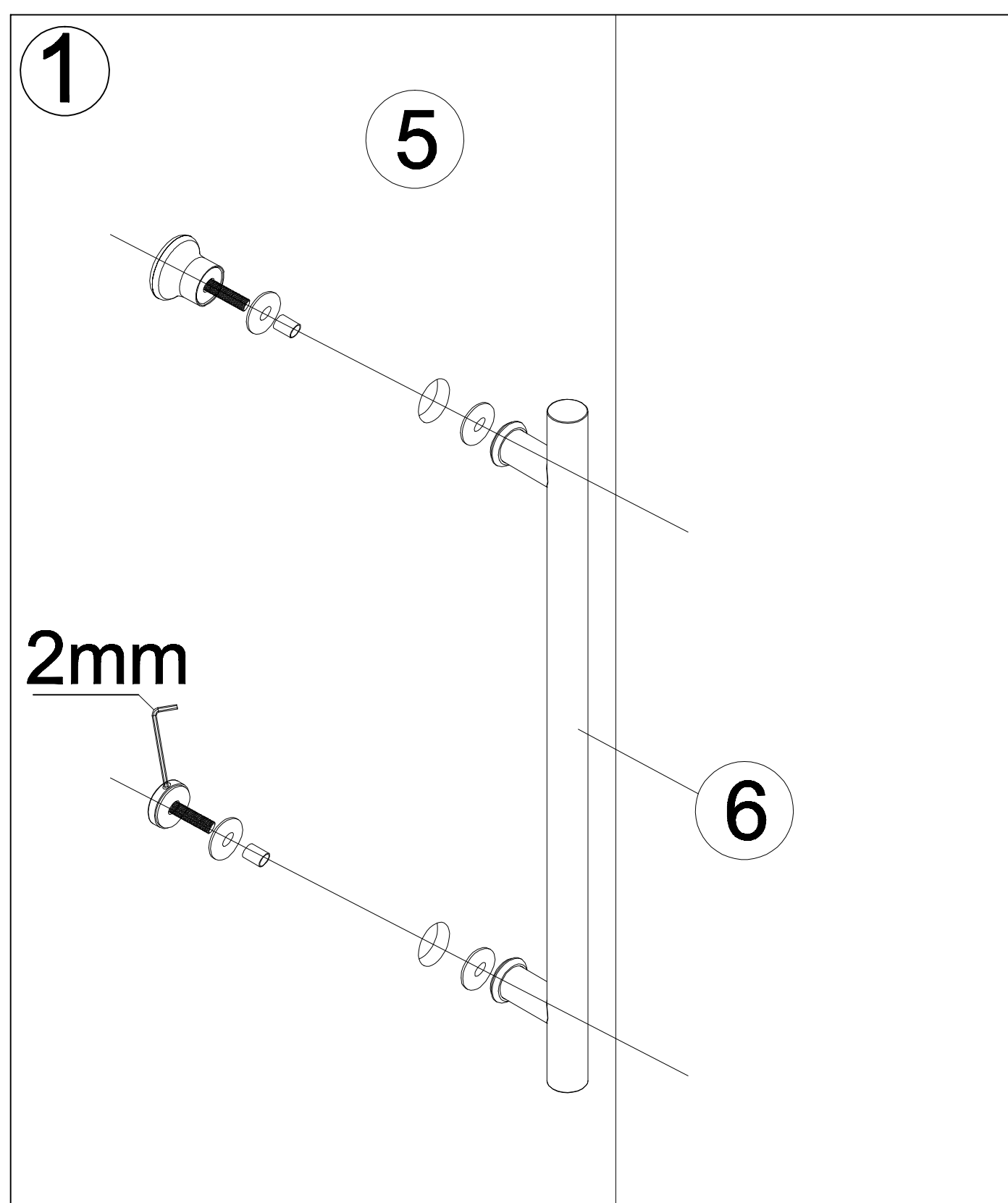
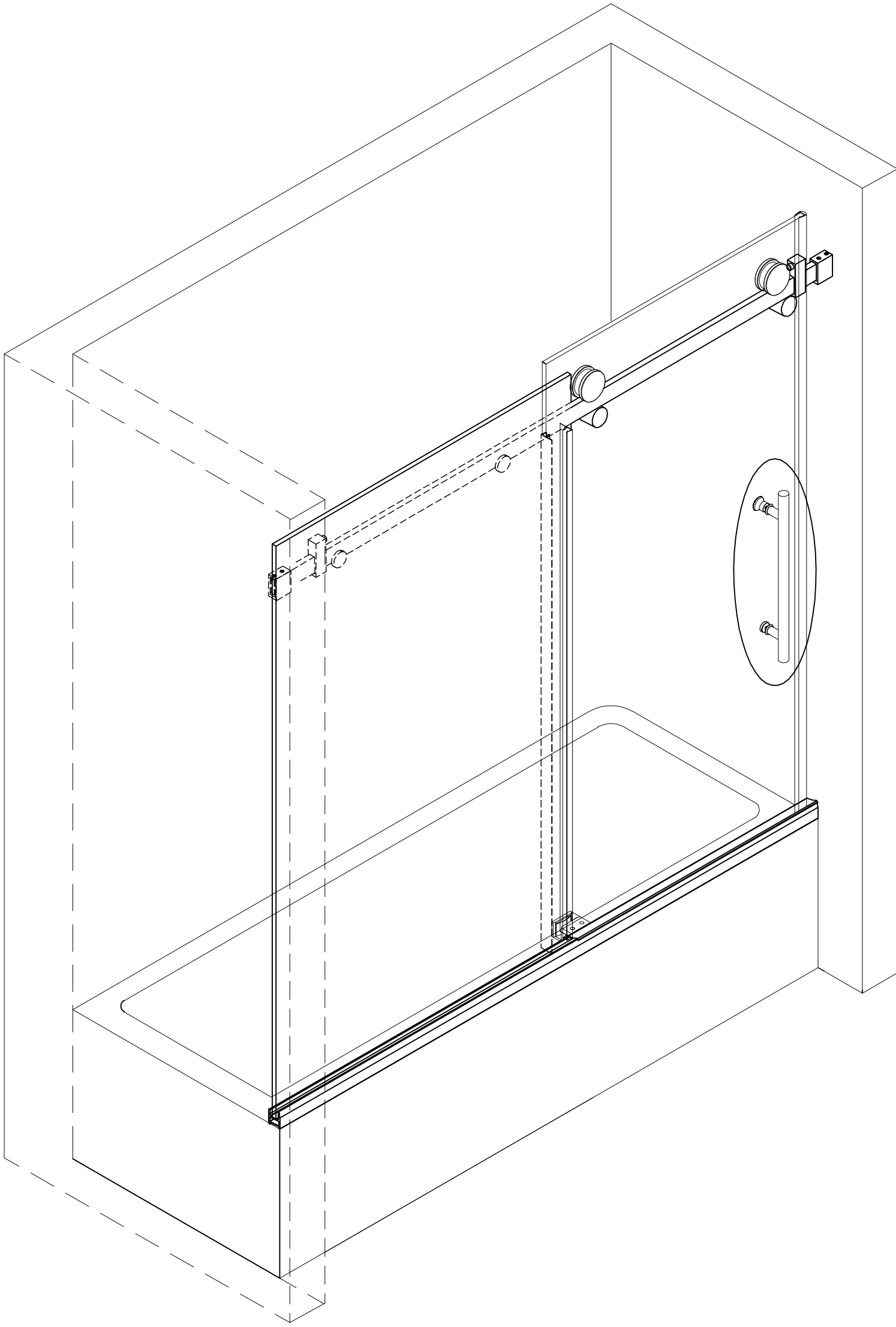
1. Place the Bumper Strip (2) on the side of Roller Door (5).
2. Install 2 Water Retainer Gasket(7).



## Left Hand Assembly

### STEP 16

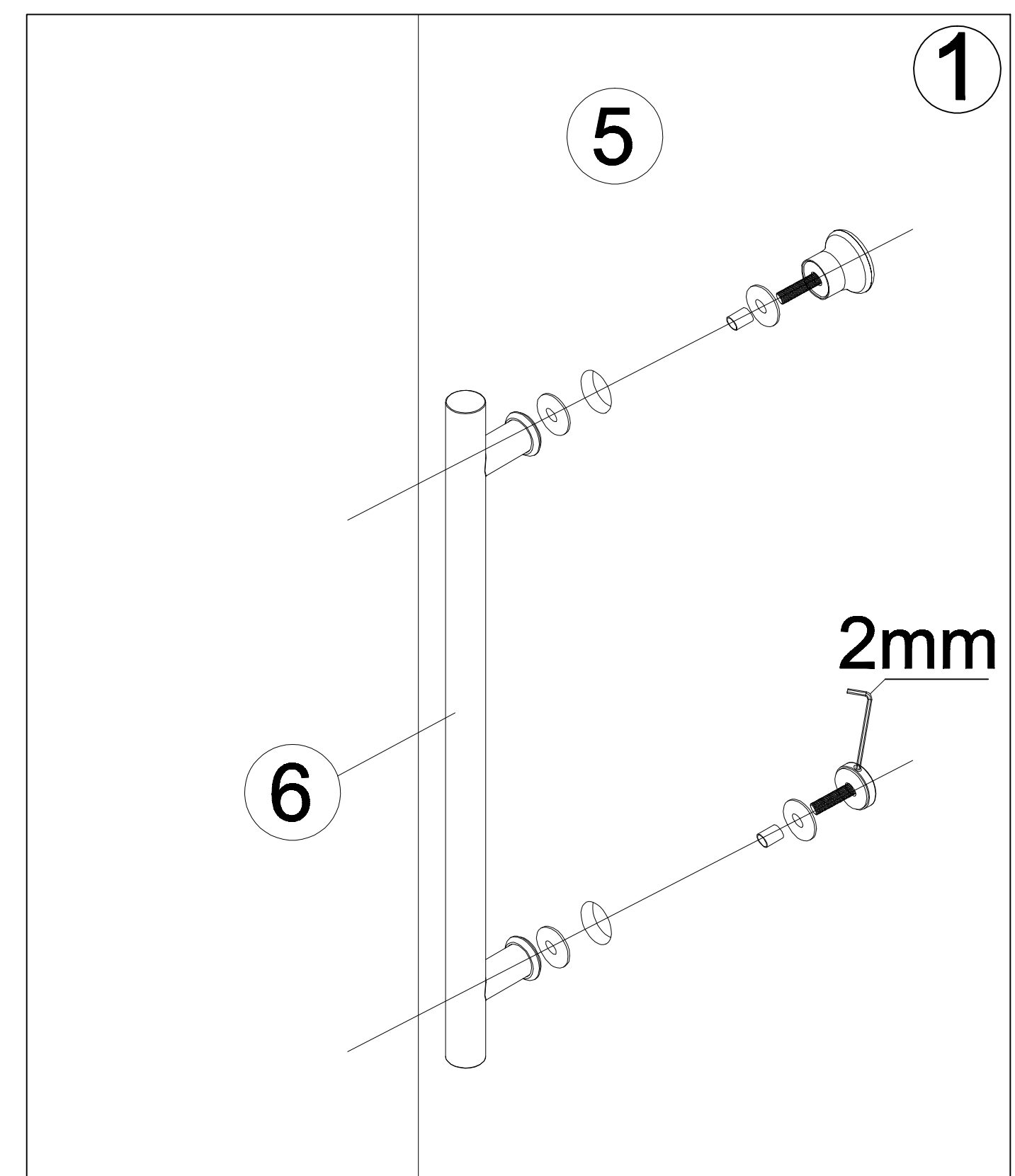
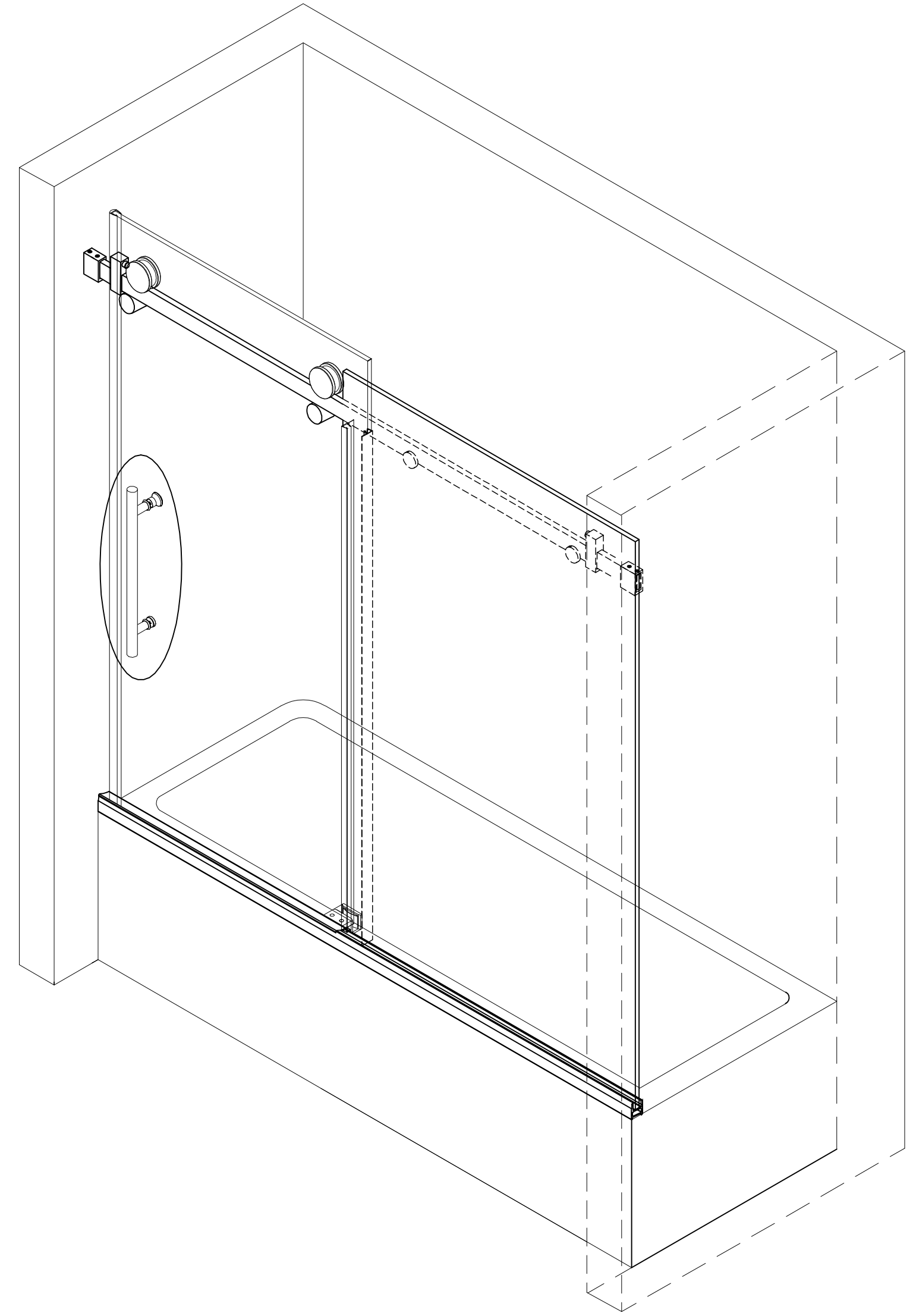
1. Install the Handle (6) onto the Roller Door (5) by unscrewing the screws that are attached to the door handle and reinserting through the panel back into the handle. Tighten with the 2mm Allen Wrench.



## Right Hand Assembly

### STEP 16

1. Install the Handle (6) onto the Roller Door (5) by unscrewing the screws that are attached to the door handle and reinserting through the panel back into the handle. Tighten with the 2mm Allen Wrench.

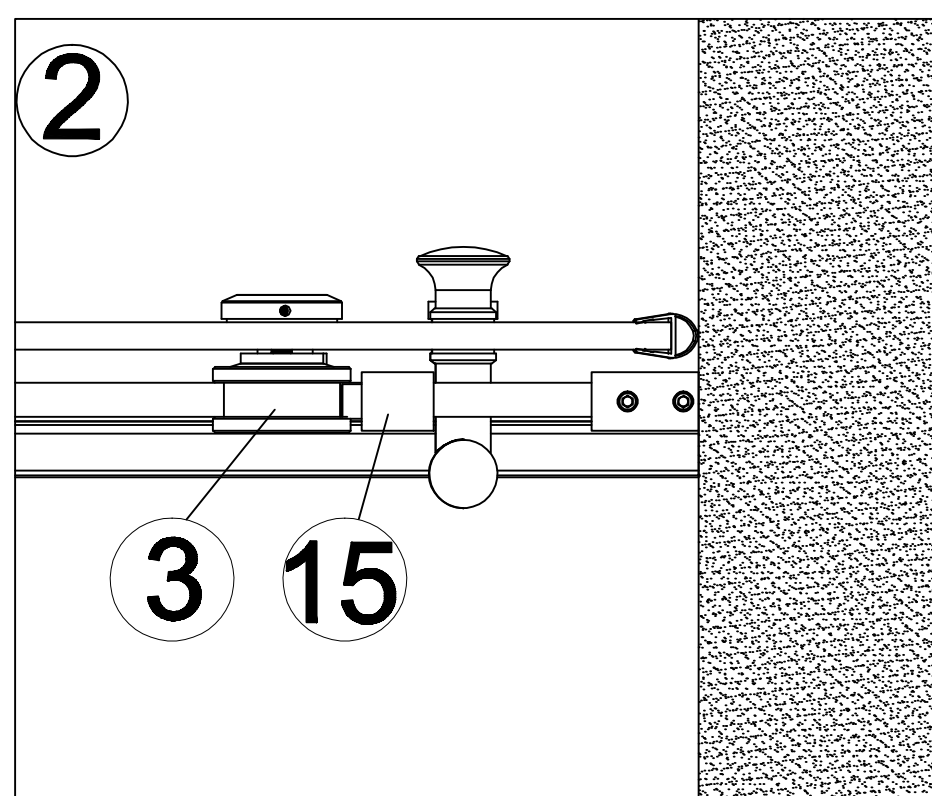
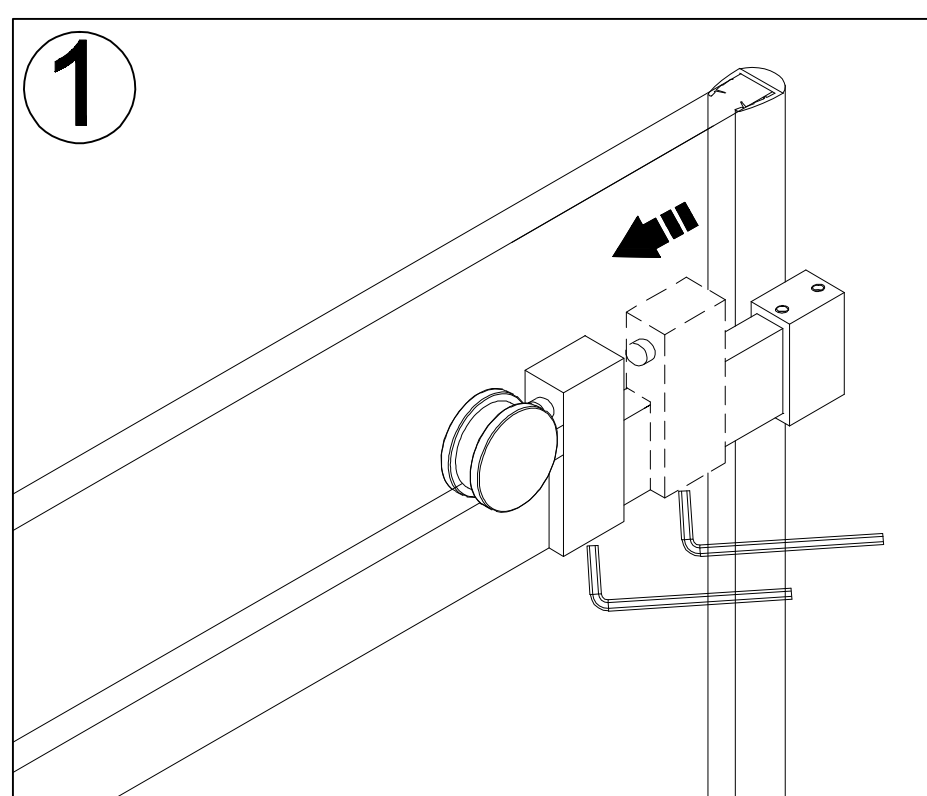
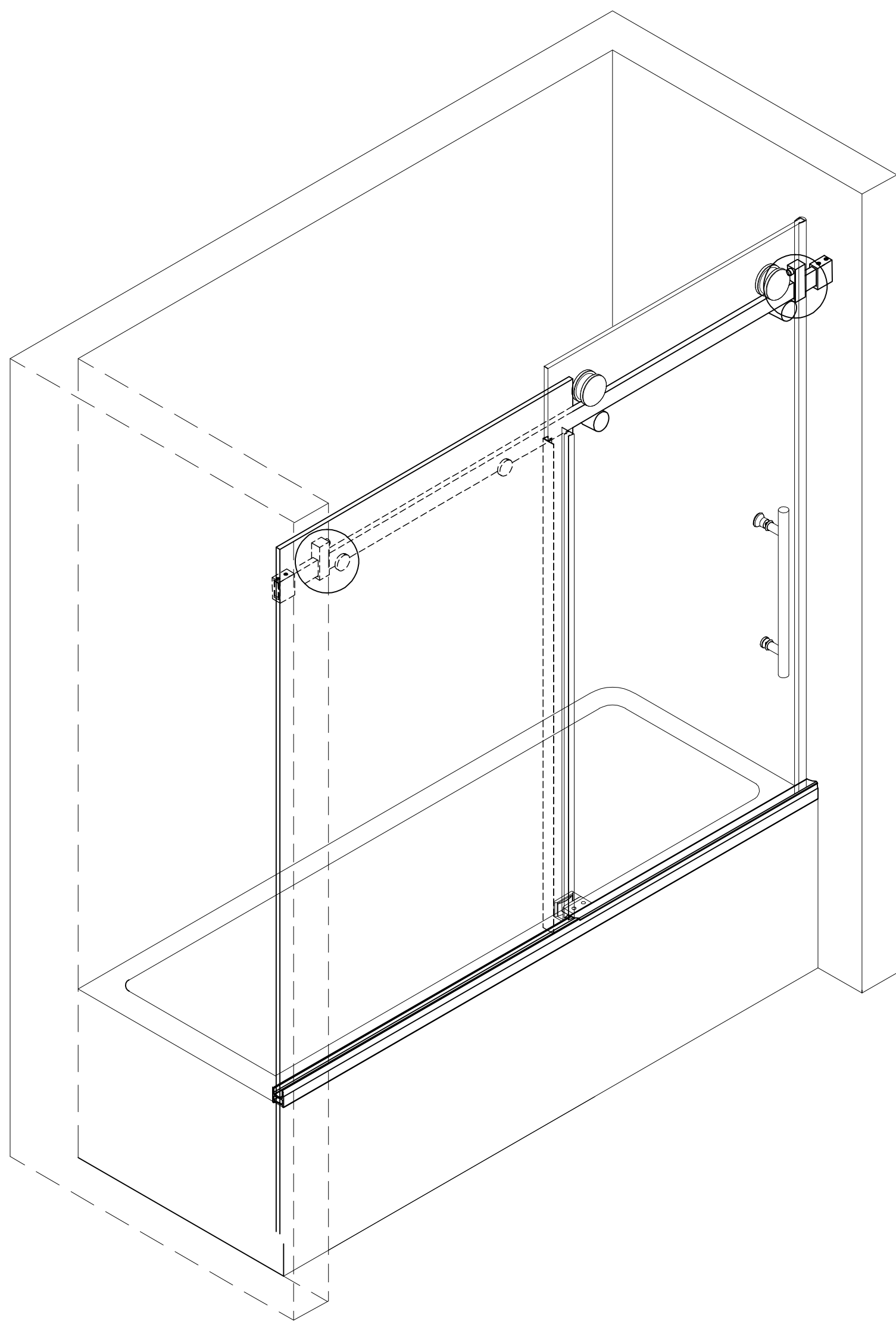


## Left Hand Assembly

### STEP 17

1.To avoid the Roller door bumping into the Wall ,  
move the Door Bumper(15) to a desired position.

2.The Roller(3) will be stopped by the Door Bumper(15).

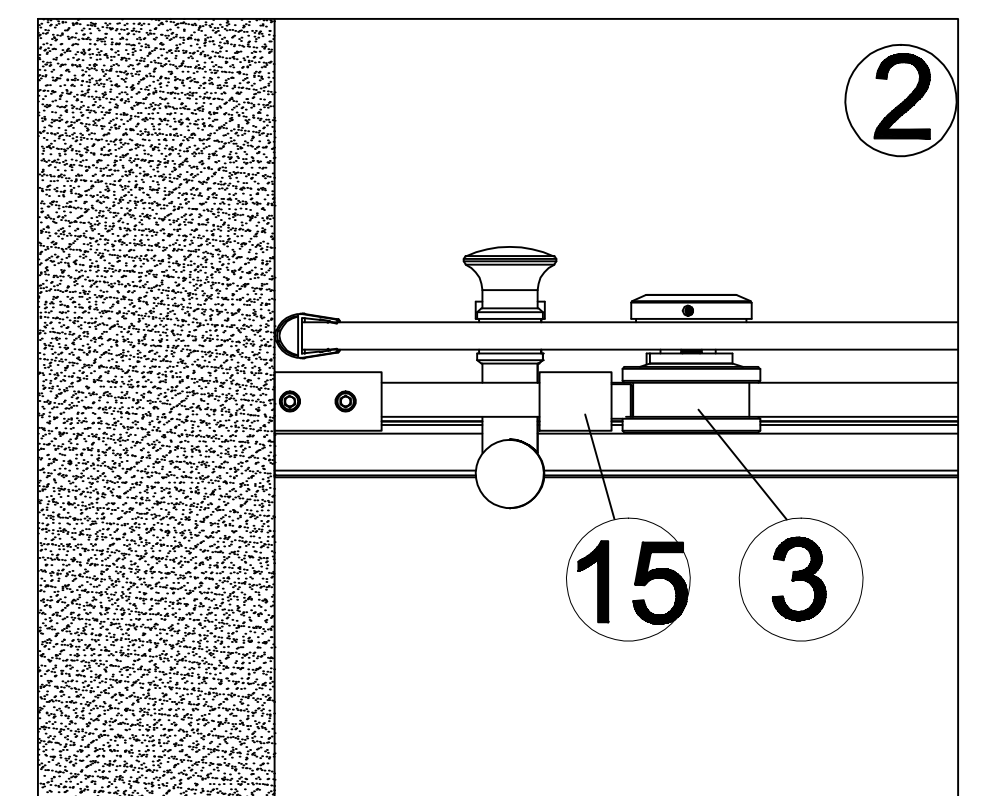
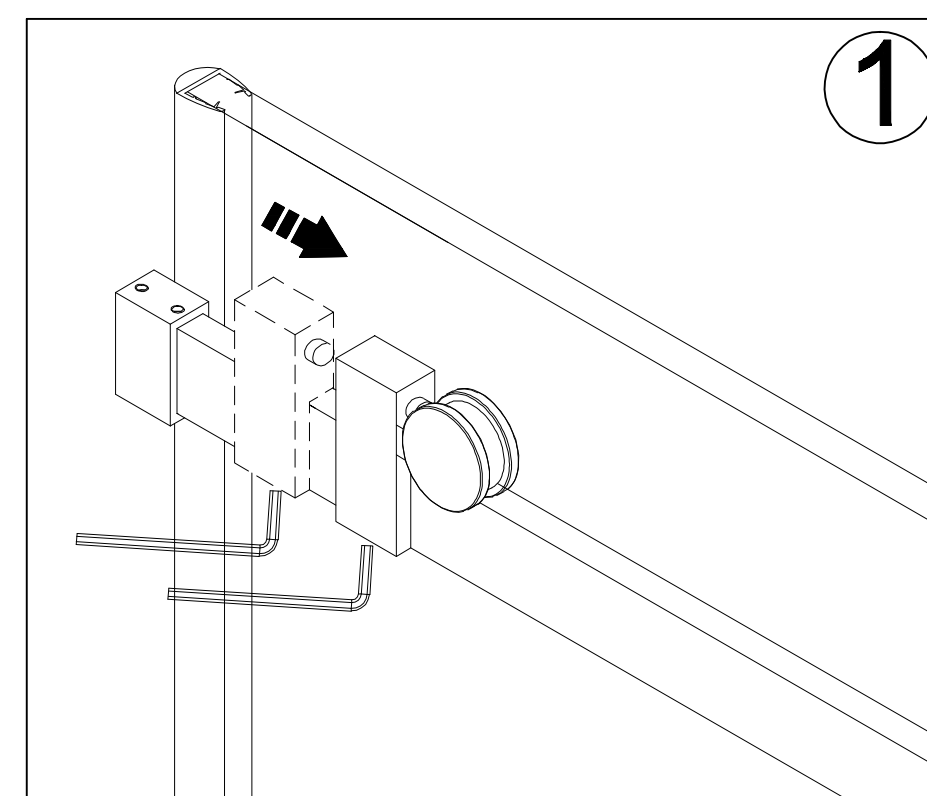
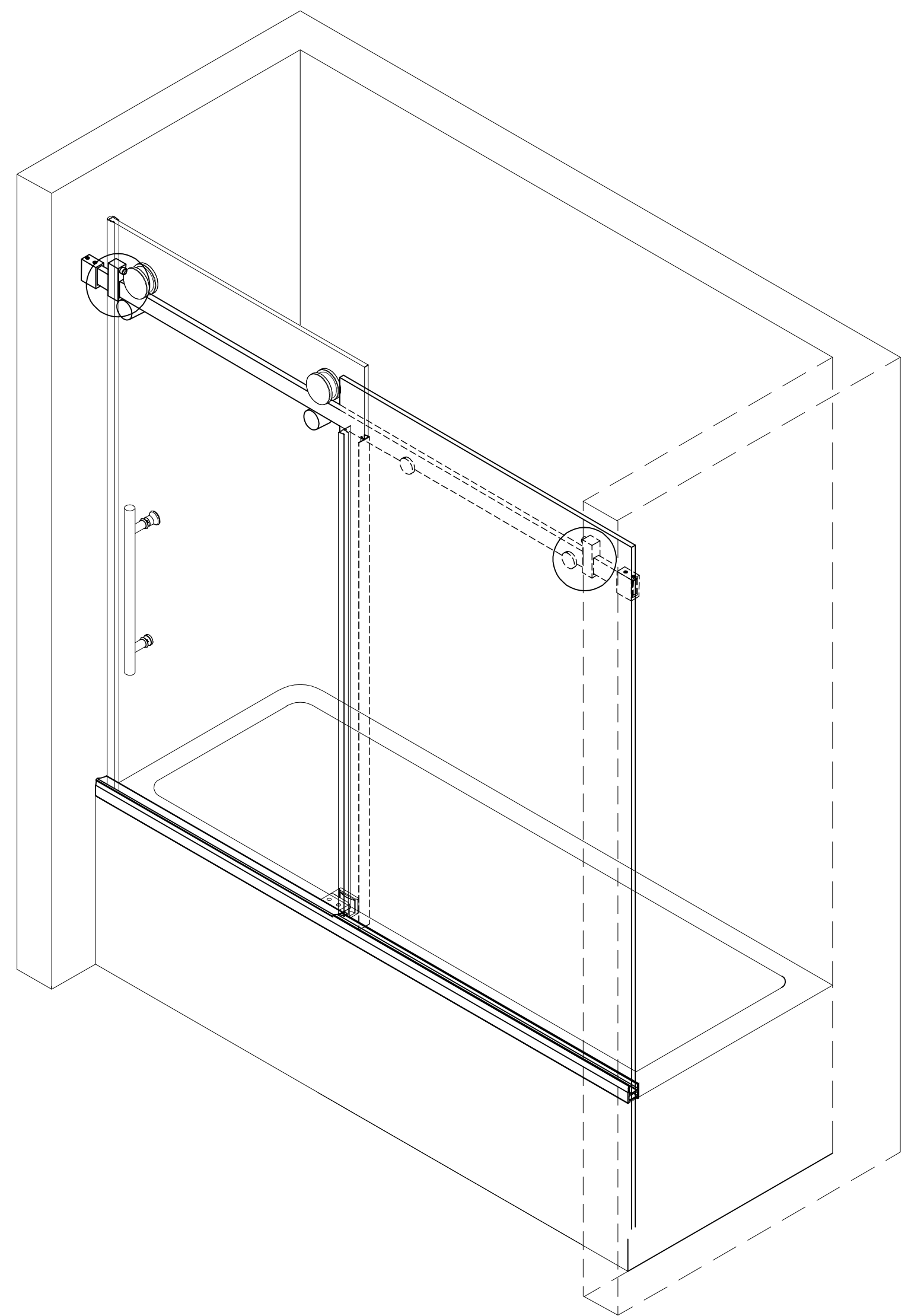


## Right Hand Assembly

### STEP 17

1.To avoid the Roller door bumping into the Wall ,  
move the Door Bumper(15) to a desired position.

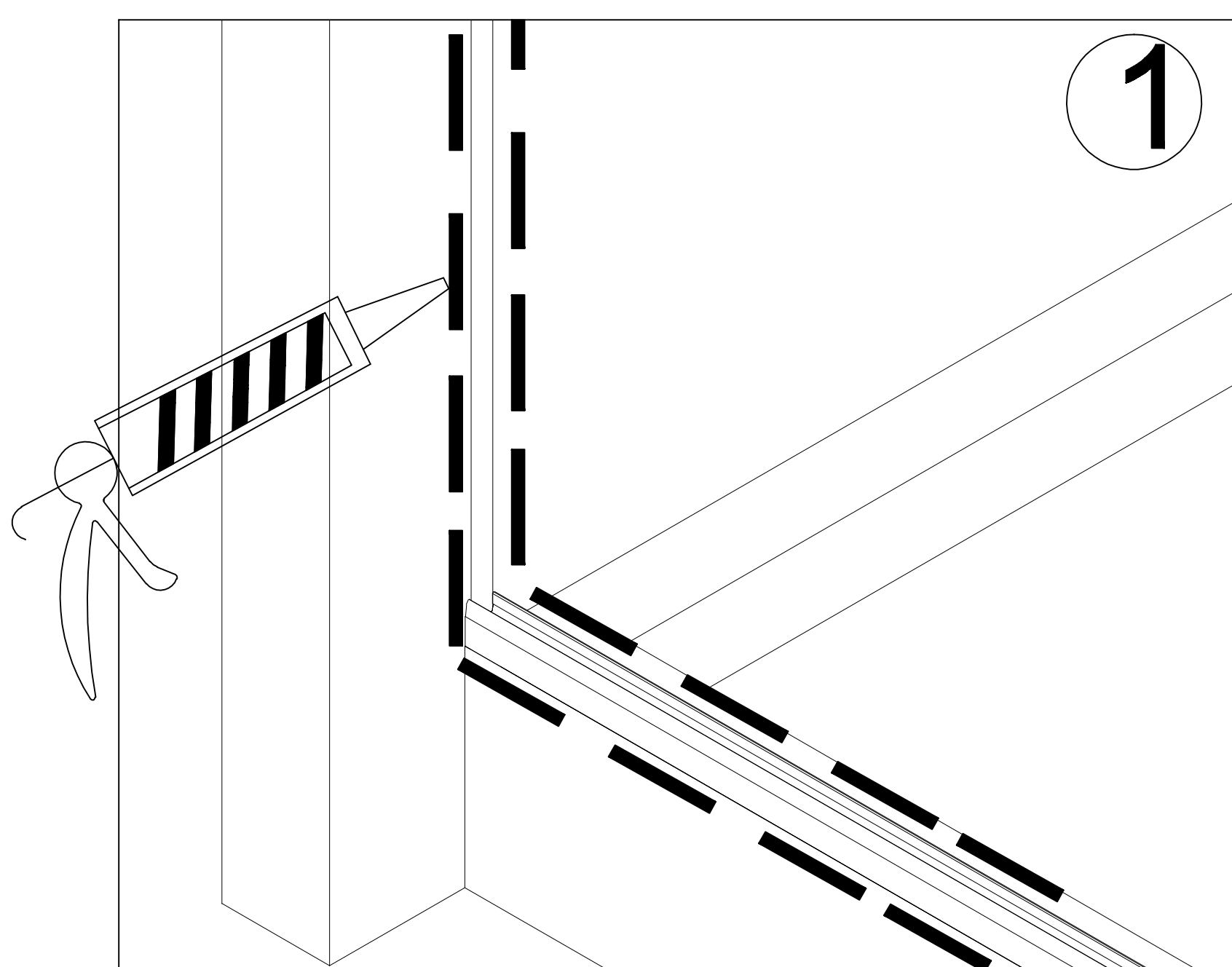
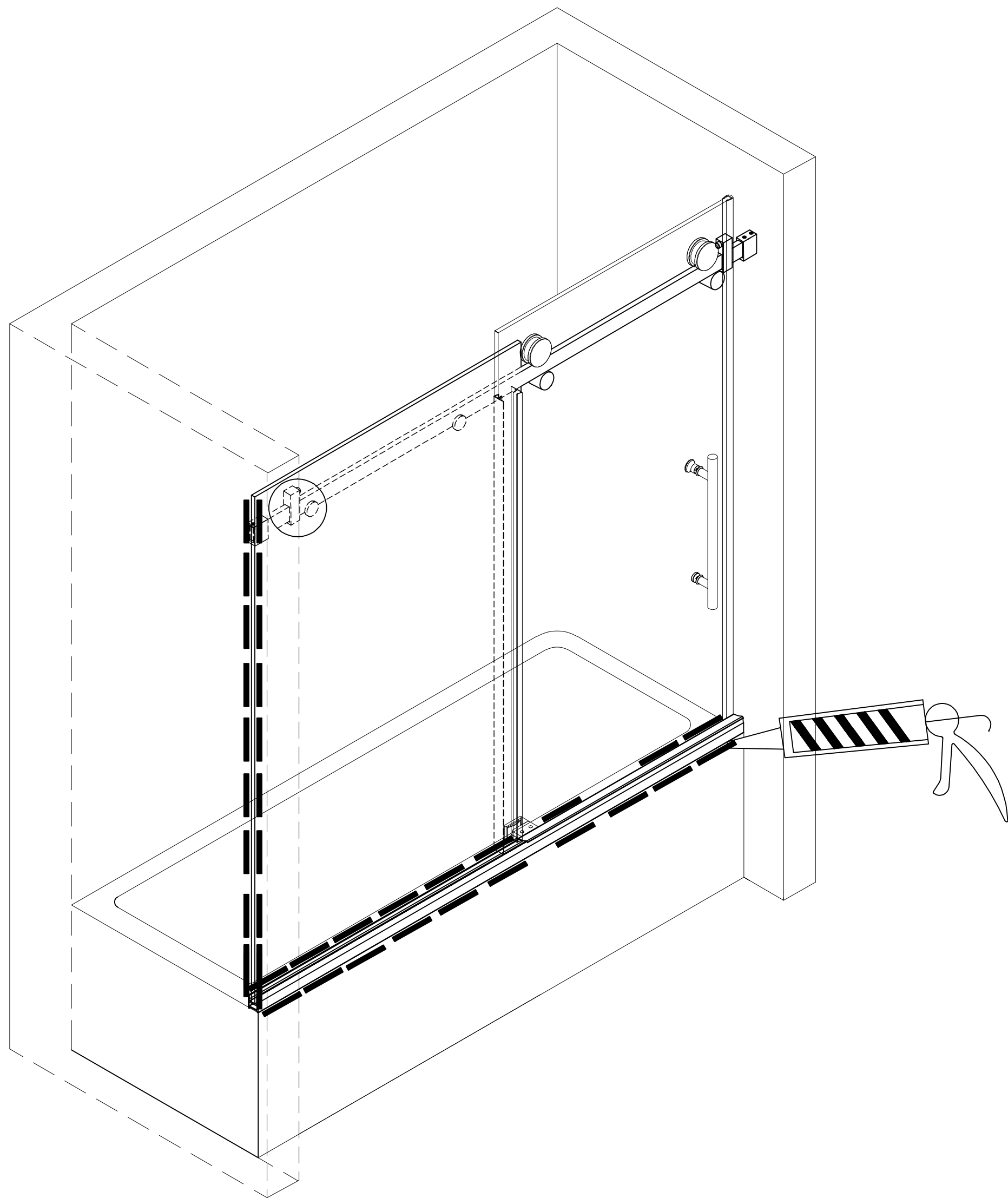
2.The Roller(3) will be stopped by the Door Bumper(15).



## Left Hand Assembly

### STEP 18

1. Use Clear Silicone on the both sides of shower door, as well as, the Door Bottom Guild. Let the silicone dry for 24 hours.



## Right Hand Assembly

### STEP 18

1. Use Clear Silicone on the both sides of shower door, as well as, the Door Bottom Guild. Let the silicone dry for 24 hours.

