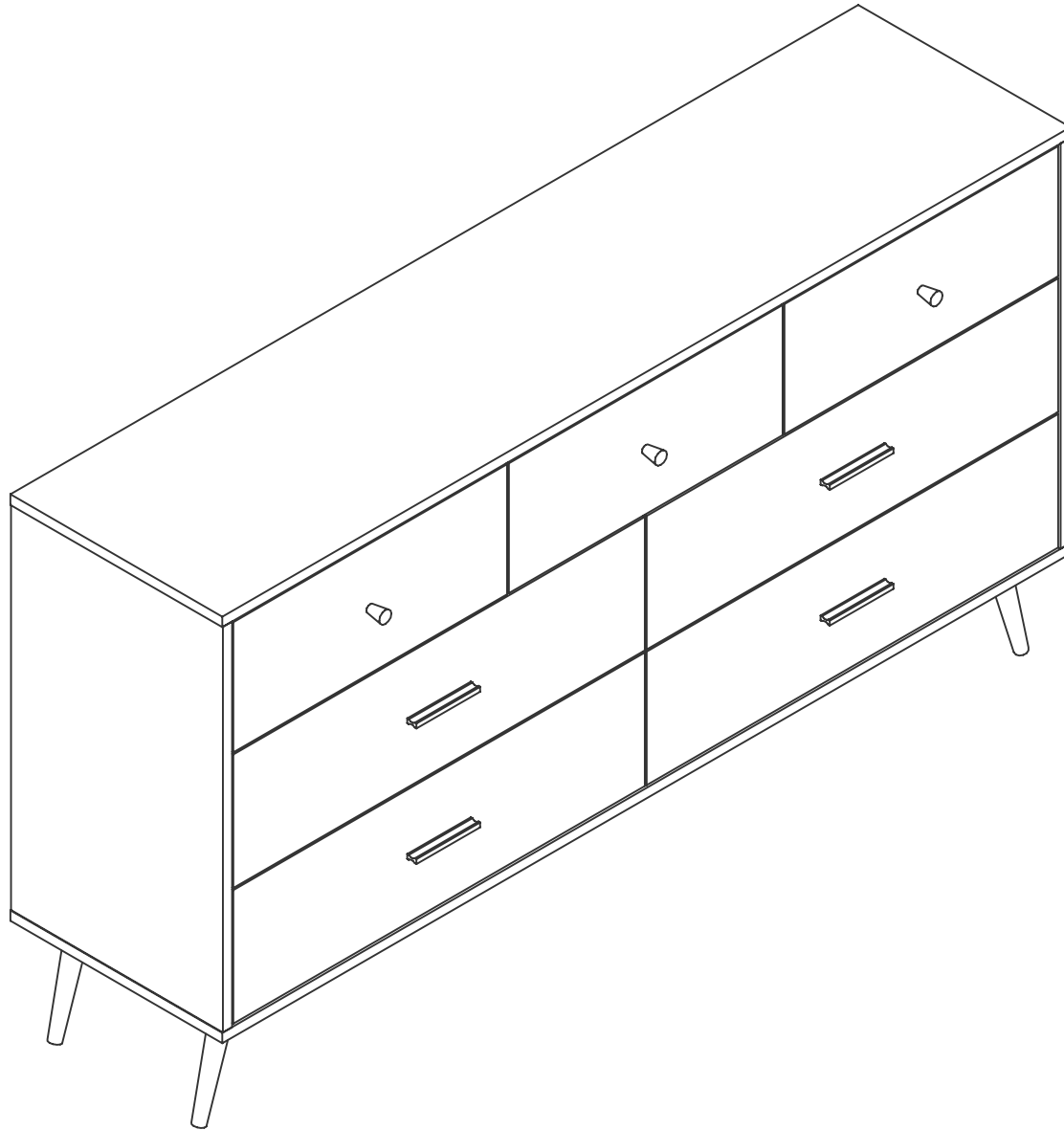



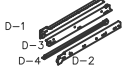











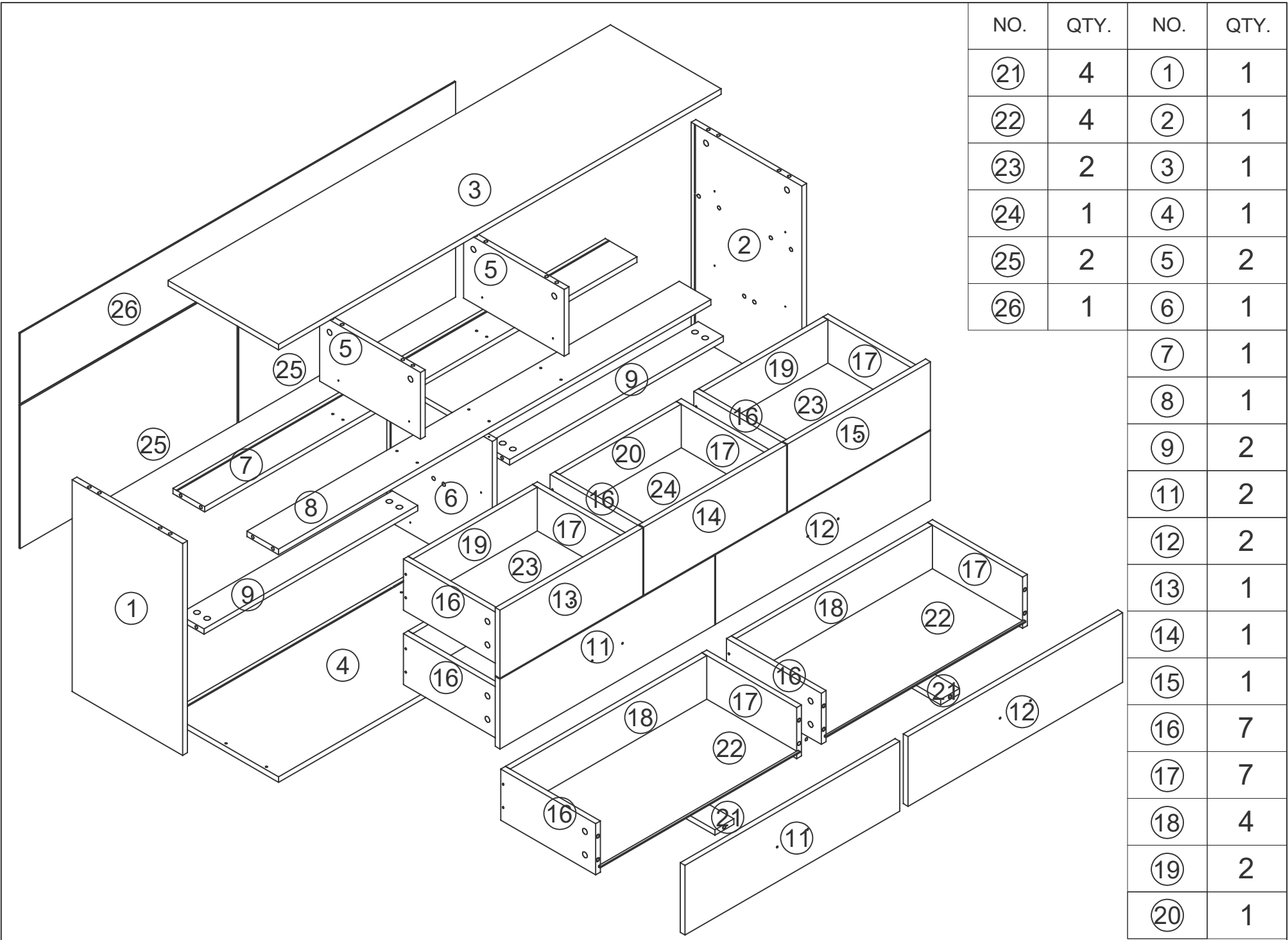


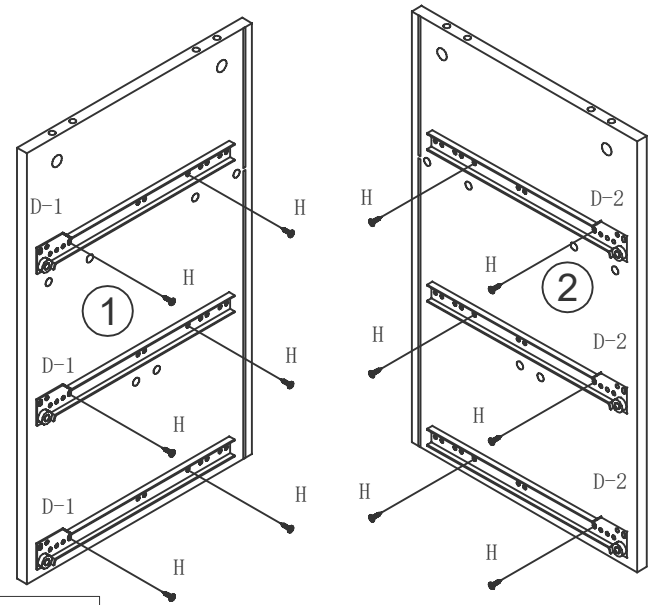
INSTALLATION & ASSEMBLY



NO.	LINEDRAWING
A×24	
B×24	
C×8	 8x40
D×7	 D-1 D-3 D-4 D-2
E×3	
F×11	
G×4	
H×88	 3.5x14
I×49	 3.5x35
J×12	
K×2	 3.5x14 3.5x35
L×5	
M×28	
N×28	
O×8	 6x30

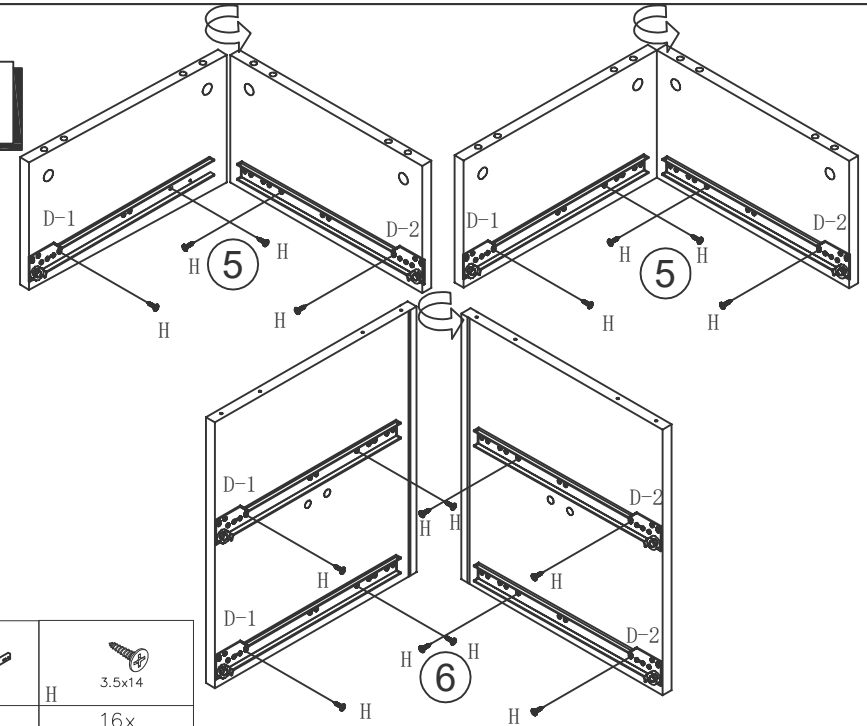


1



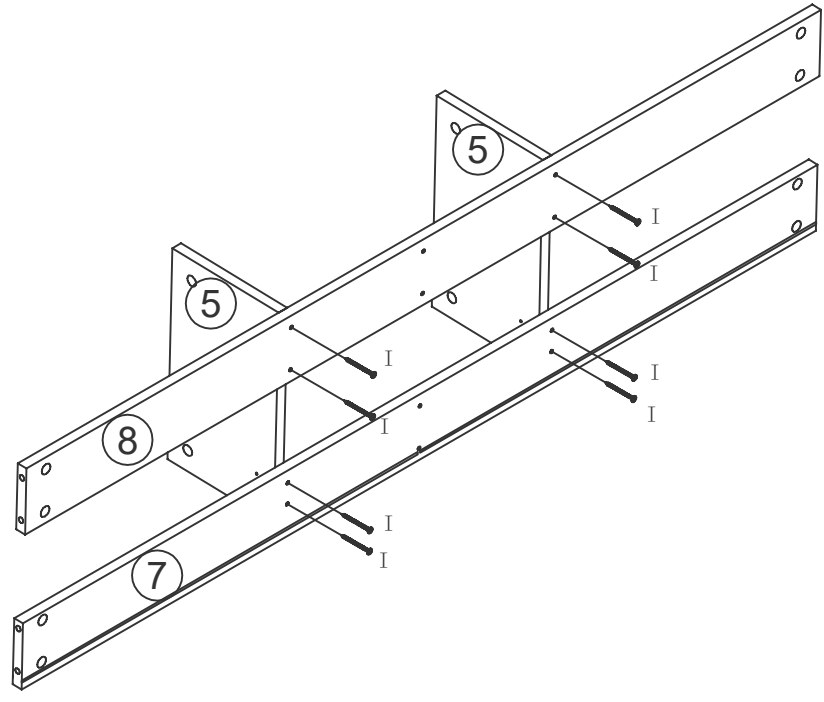
D-1	H
D-2	3.5x14
3x	12x

2



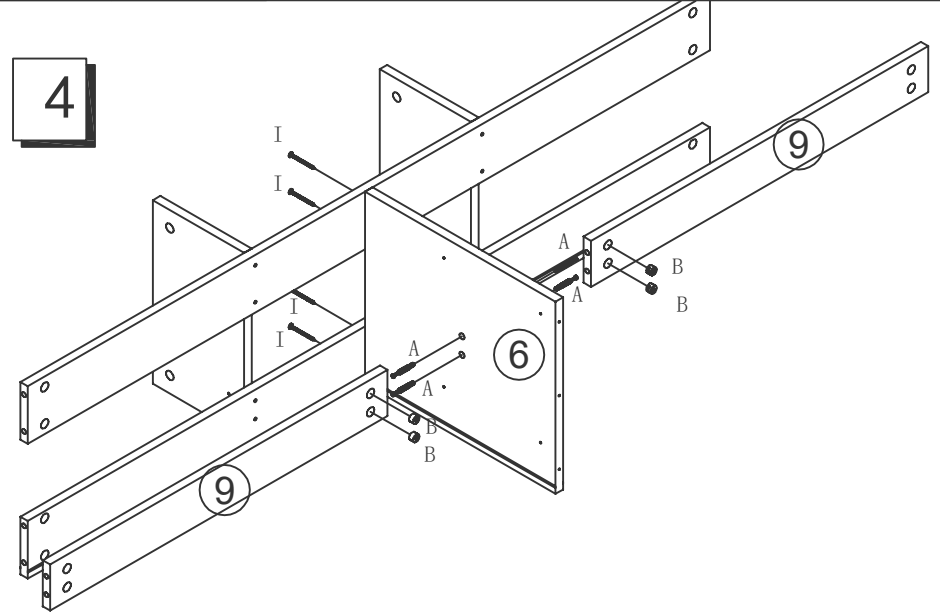
D-1	H
D-2	3.5x14
4x	16x

3

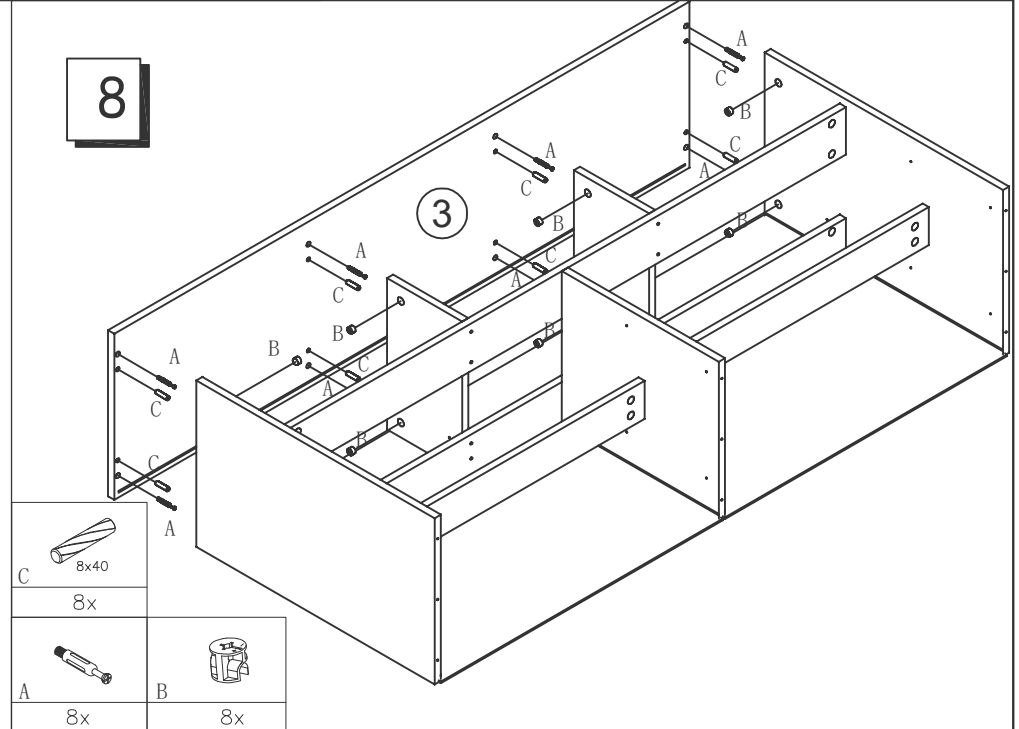
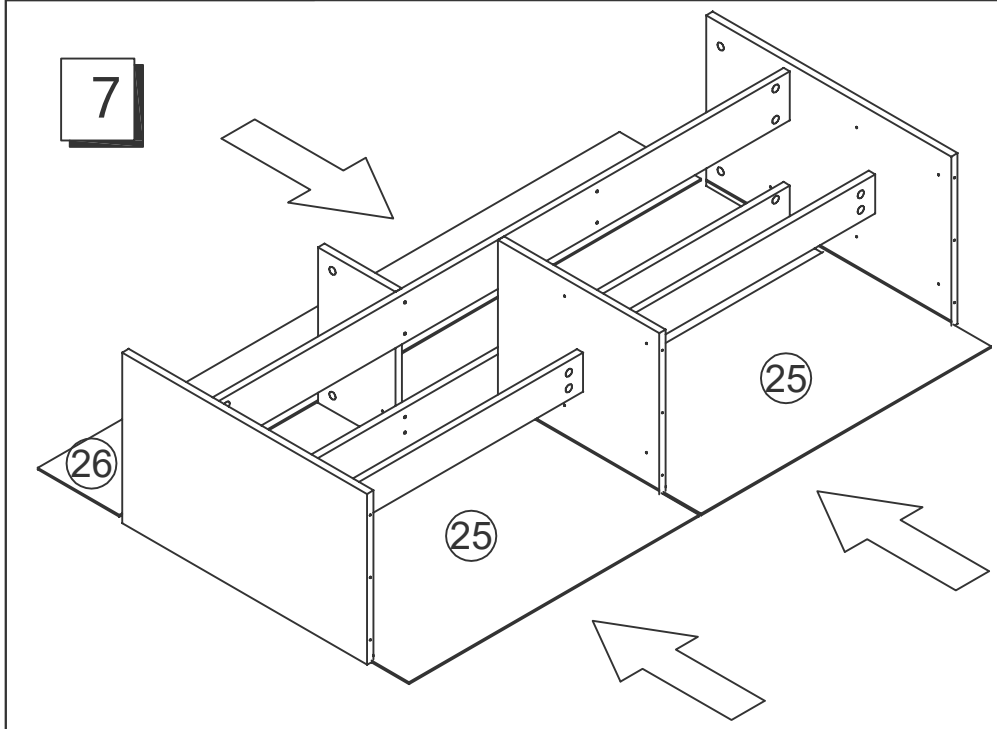
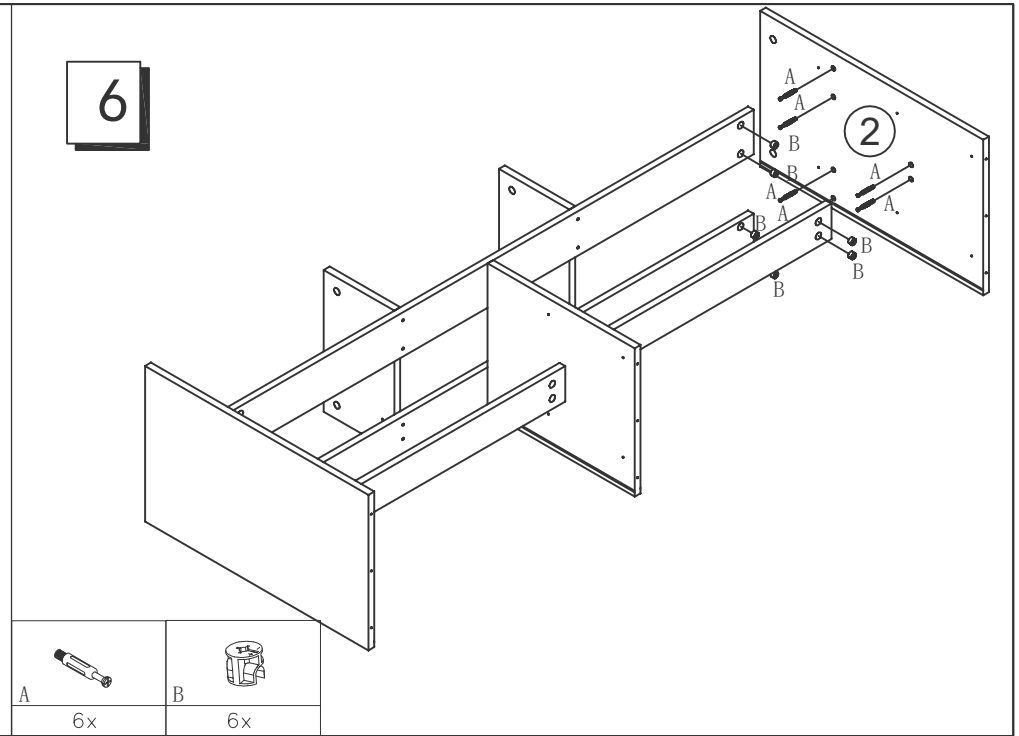
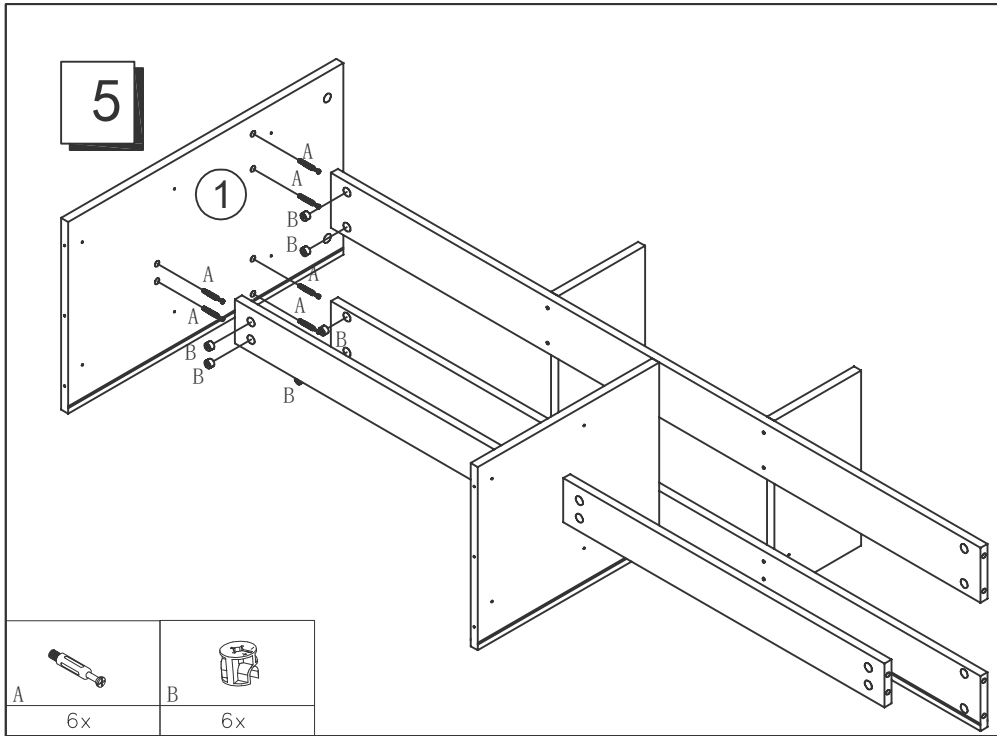


I	3.5x35
8x	

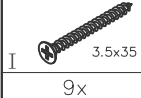
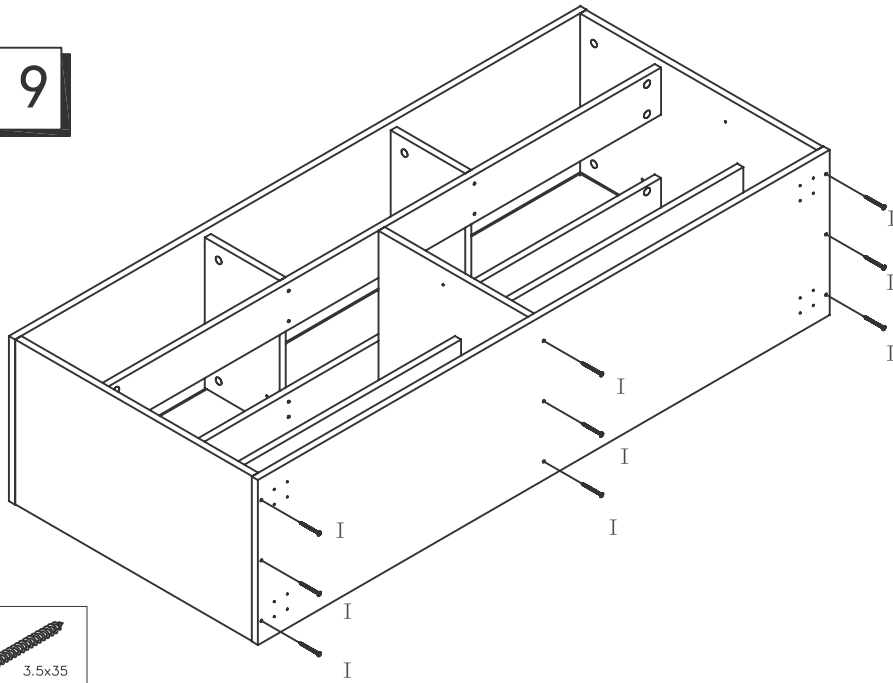
4



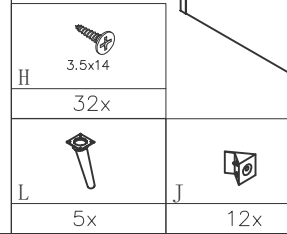
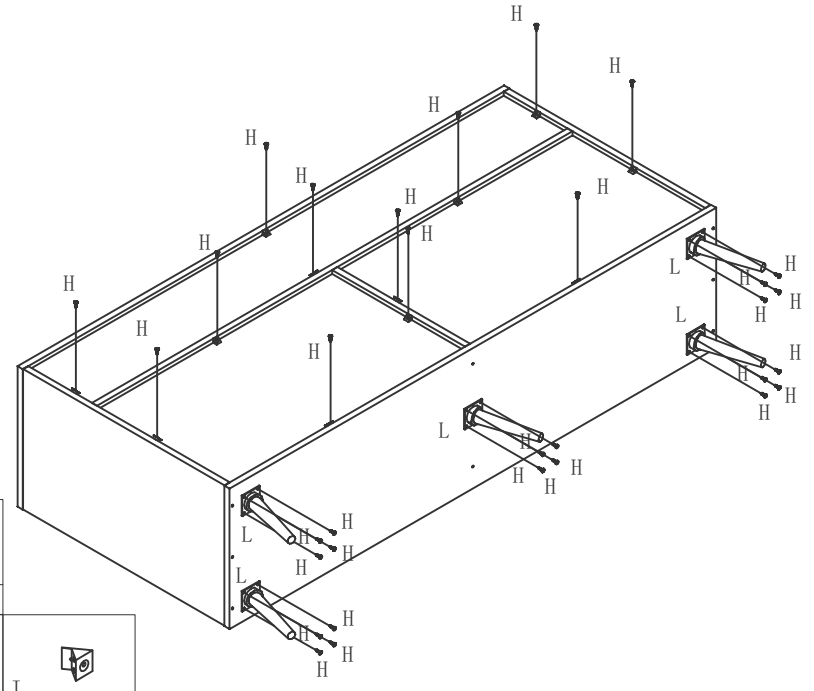
A	B	I
4x	4x	3.5x35
		4x



9

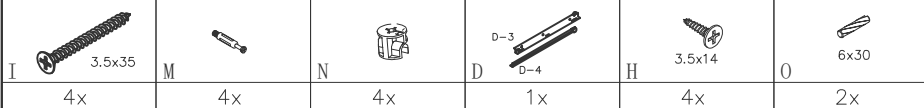
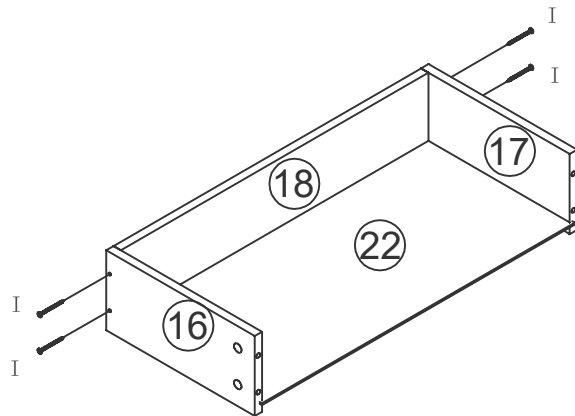


10

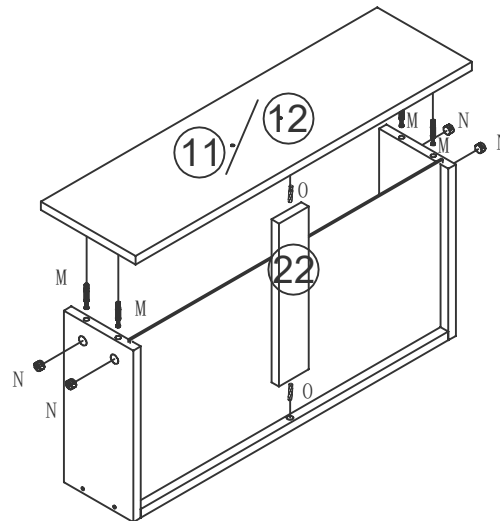


11

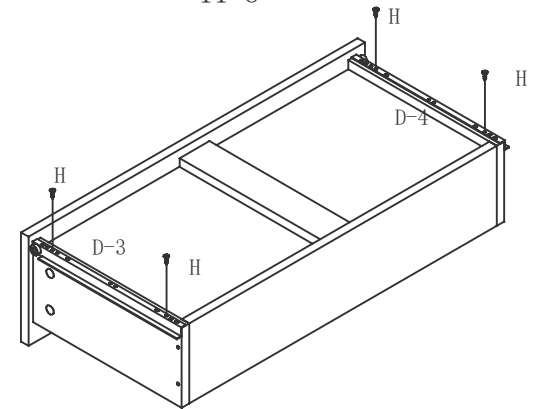
11-1



11-2



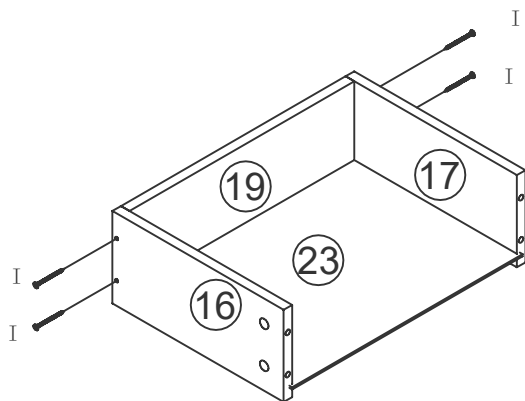
11-3



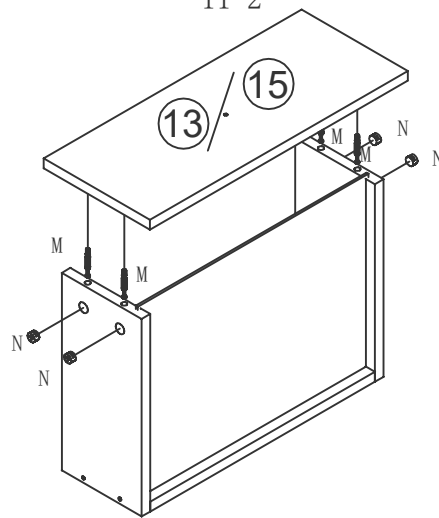
(×4PCS)

12

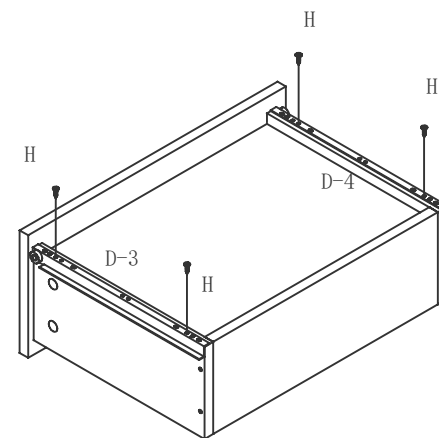
11-1



11-2



11-3

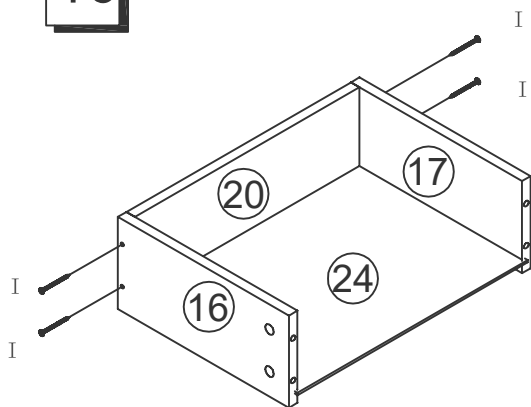


(× 2PCS)

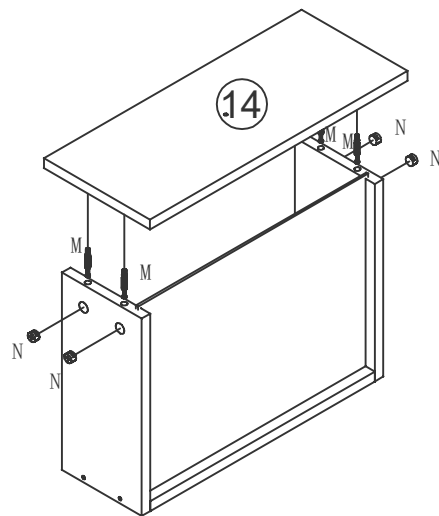
 3.5x35				 3.5x14
4x	4x	4x	1x	4x

13

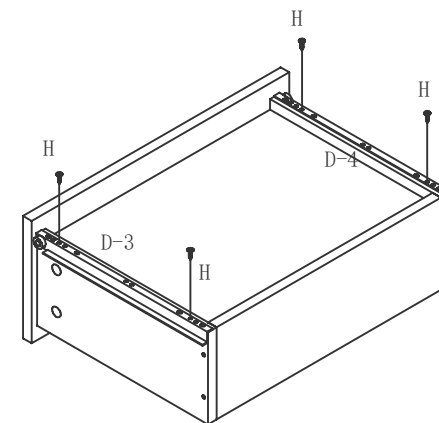
11-1

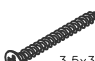






11-2

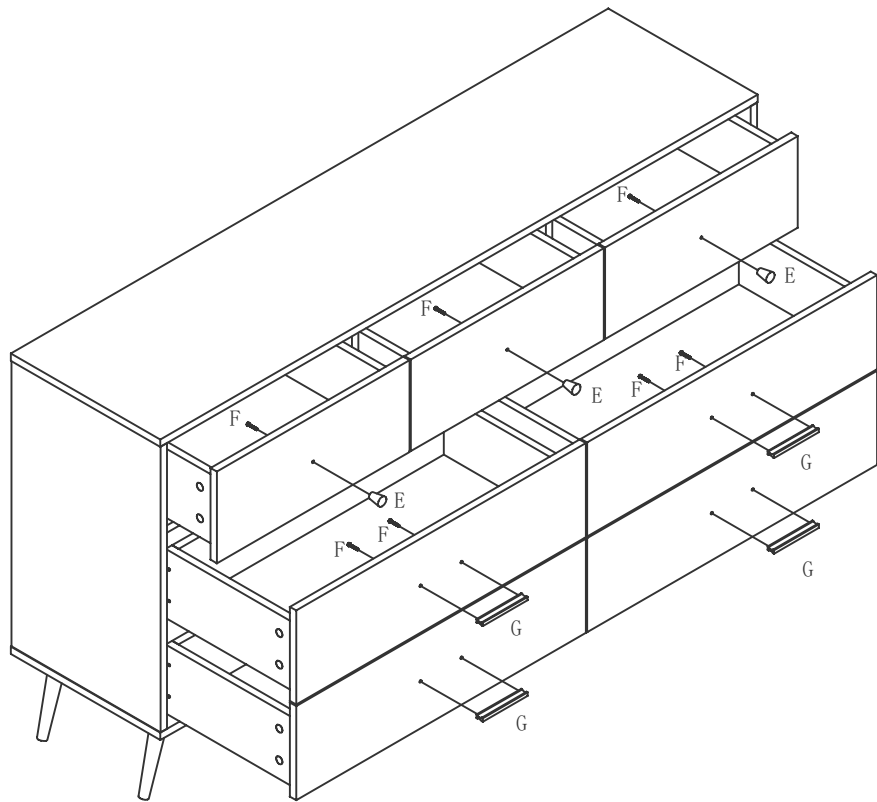


11-3



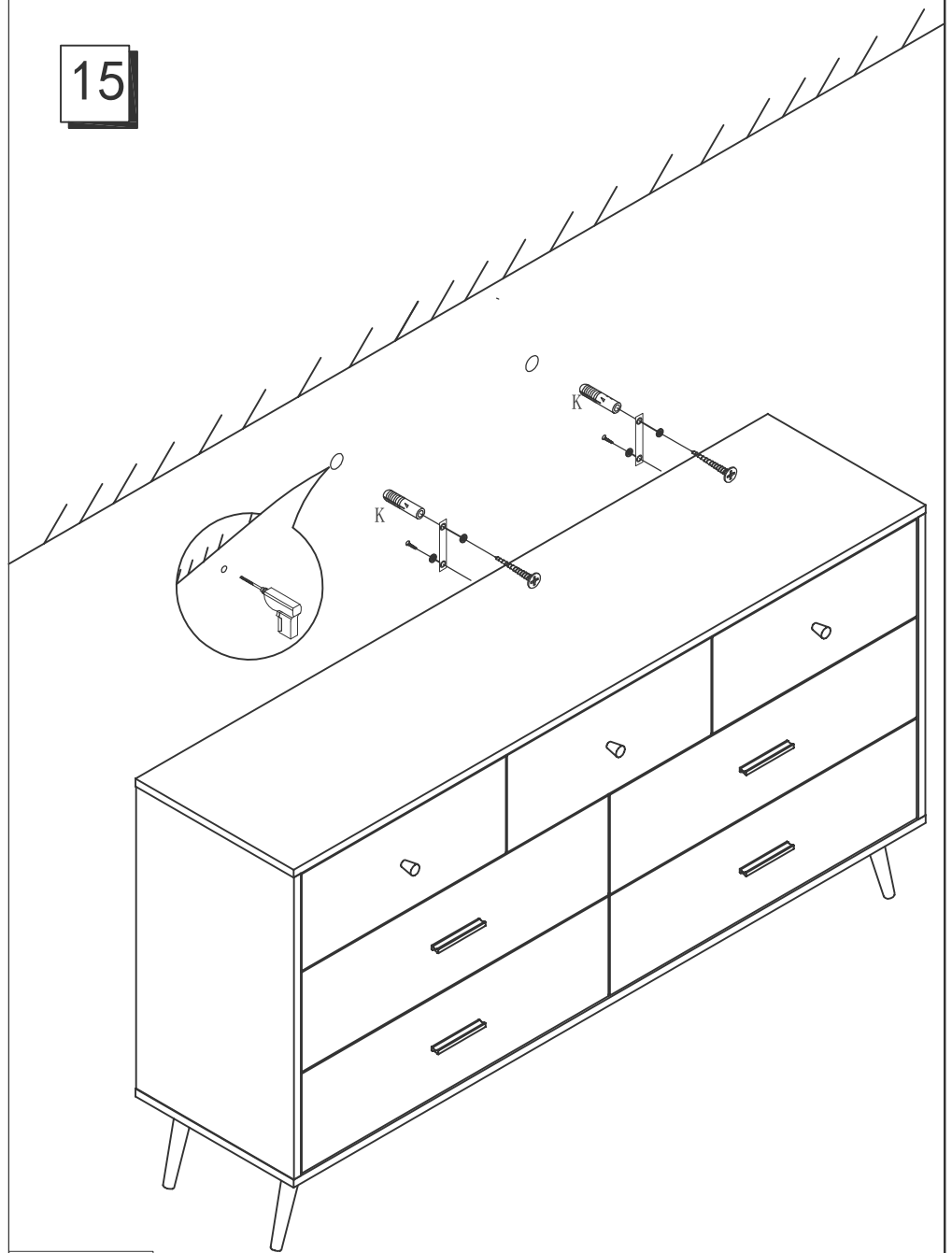
 3.5x35				 3.5x14
4x	4x	4x	1x	4x

14



E	F	G
3x	11x	4x

15



K
2x