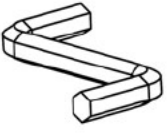
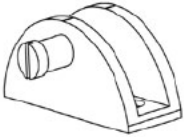

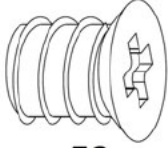

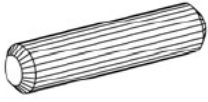
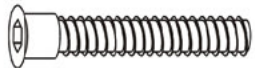



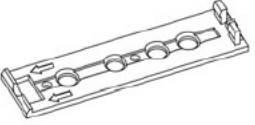
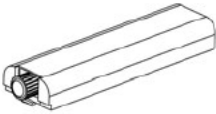
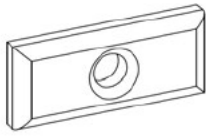
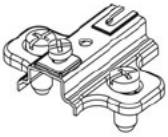


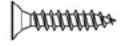



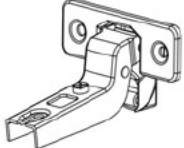

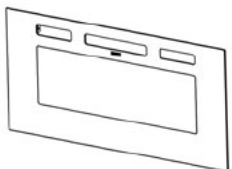

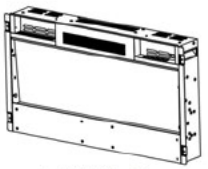
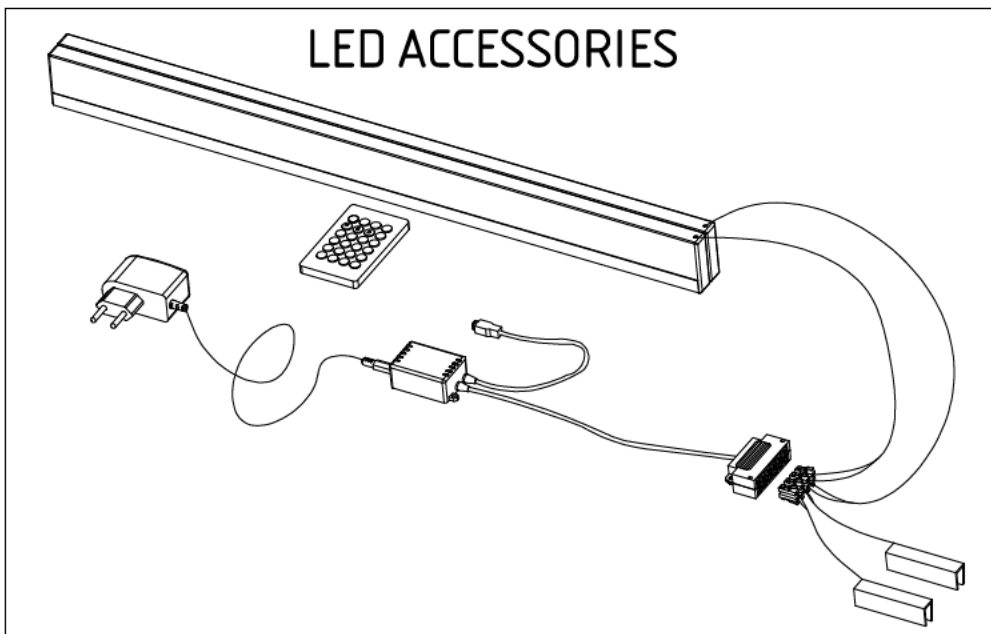


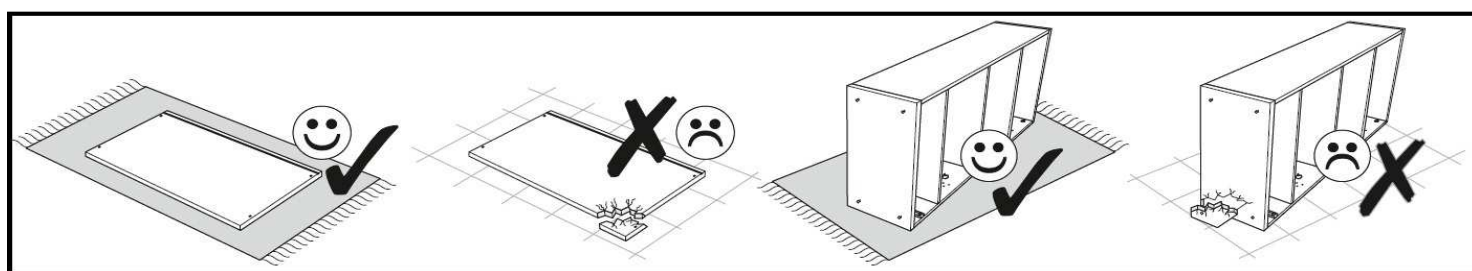
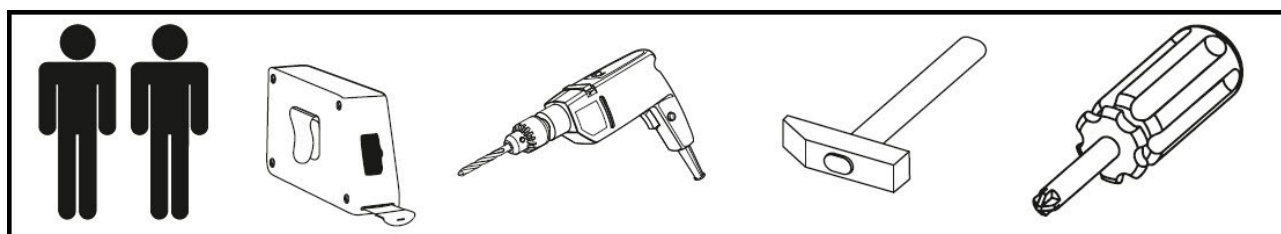
## Table accessories

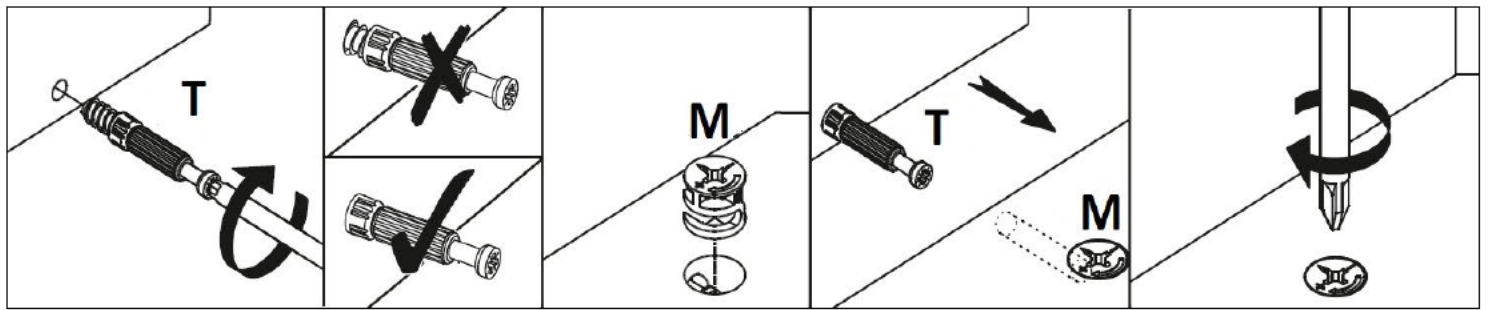
 <b>A1</b> 8 x 30	 <b>BS</b> 6,3 X 50	6,3 X 13  <b>E13</b>	6,3x9mm  <b>E3</b> 15 x 12	 <b>G</b> h=78mm
 <b>K</b>	 <b>KN</b>	 <b>KP</b>	 <b>M</b>	 <b>N78</b>
 <b>OB</b> 6 x 34 mm	 <b>OB2</b> 4 x 16	 <b>PL</b> 3 x 16mm	 <b>PRE</b> 4 X 25mm	 <b>SL</b>
 <b>T</b>	 <b>W16</b>	 <b>W3</b>	 <b>W4</b>	 <b>Z</b>
 <b>ZP5</b>				
 <b>KRD</b>	 <b>SK2</b>	 <b>WK</b>	 <b>WKL2</b>	

## LED ACCESSORIES

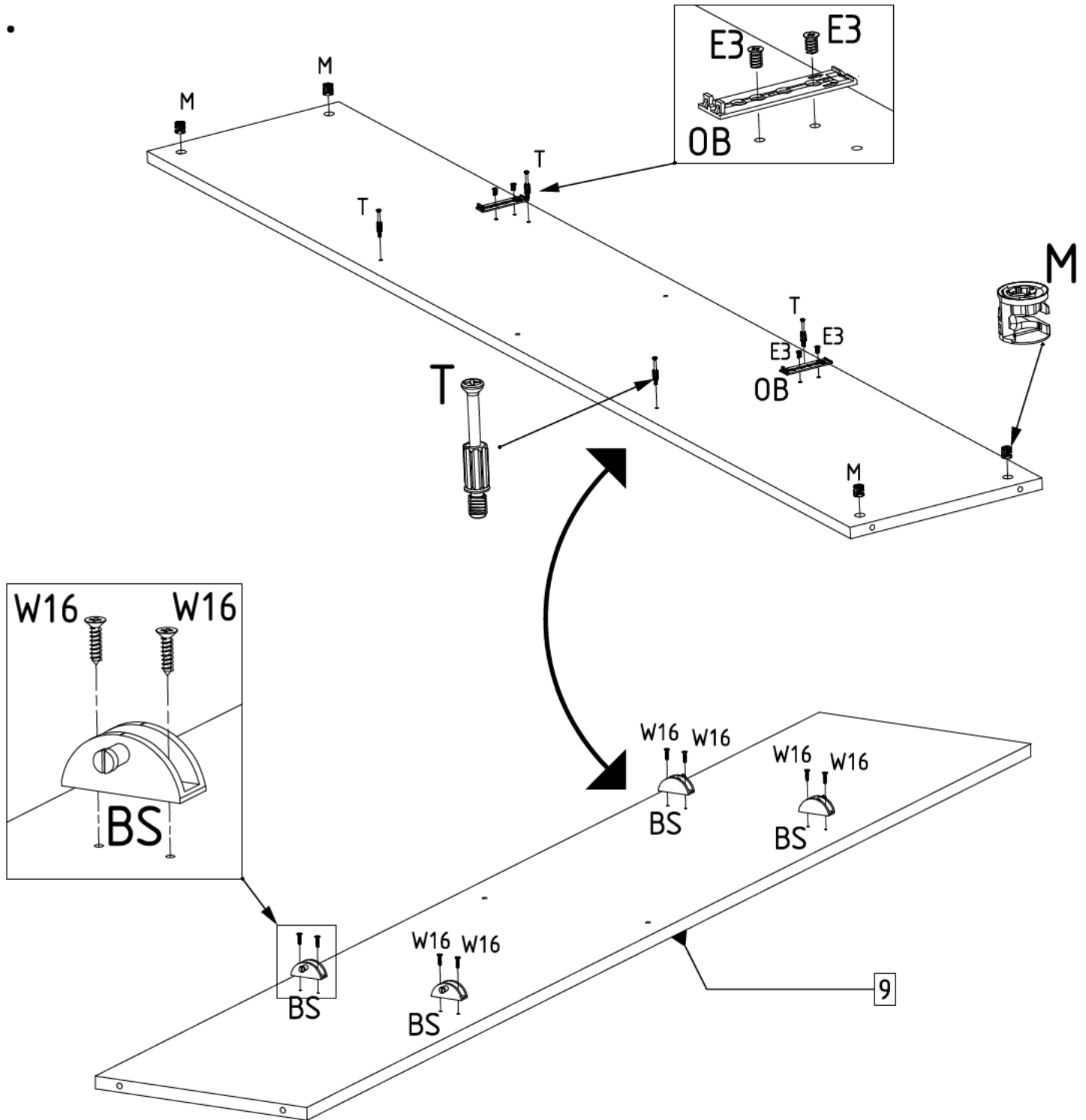


Elements				Accessories	
SYMBOL	LENGTH	WIDTH	QUANTITY	SYMBOL	QUANTITY
BL[1]	584	332	1	A1	1
				BS	4
BP[2]	584	332	1	E13	2
				E3	4
CD[3]	1963	90	1	G	49
				K	12
FT[4]	316	576	2	KN	6
				KP	2
PC1[5]	1993	160	1	KRD (attached to the electric fireplace)	62
				M	18
PC2[6]	618	362	2	N78	1
				OB	2
PD[7]	138	322	1	OB2	2
				PL	12
PPI0[8]	338	326	2	PRE	4
				SK2 (attached to the electric fireplace)	1
PPO[9]	1963	332	1	SL	5
				T	18
PS[10]	322	129	2	W16	20
				W3	12
WD[11]	1963	312	1	W4	4
				WK (attached to the electric fireplace)	6
WG[12]	2000	332	1	WKL2 (attached to the electric fireplace)	2
				Z	18
				ZP5	4



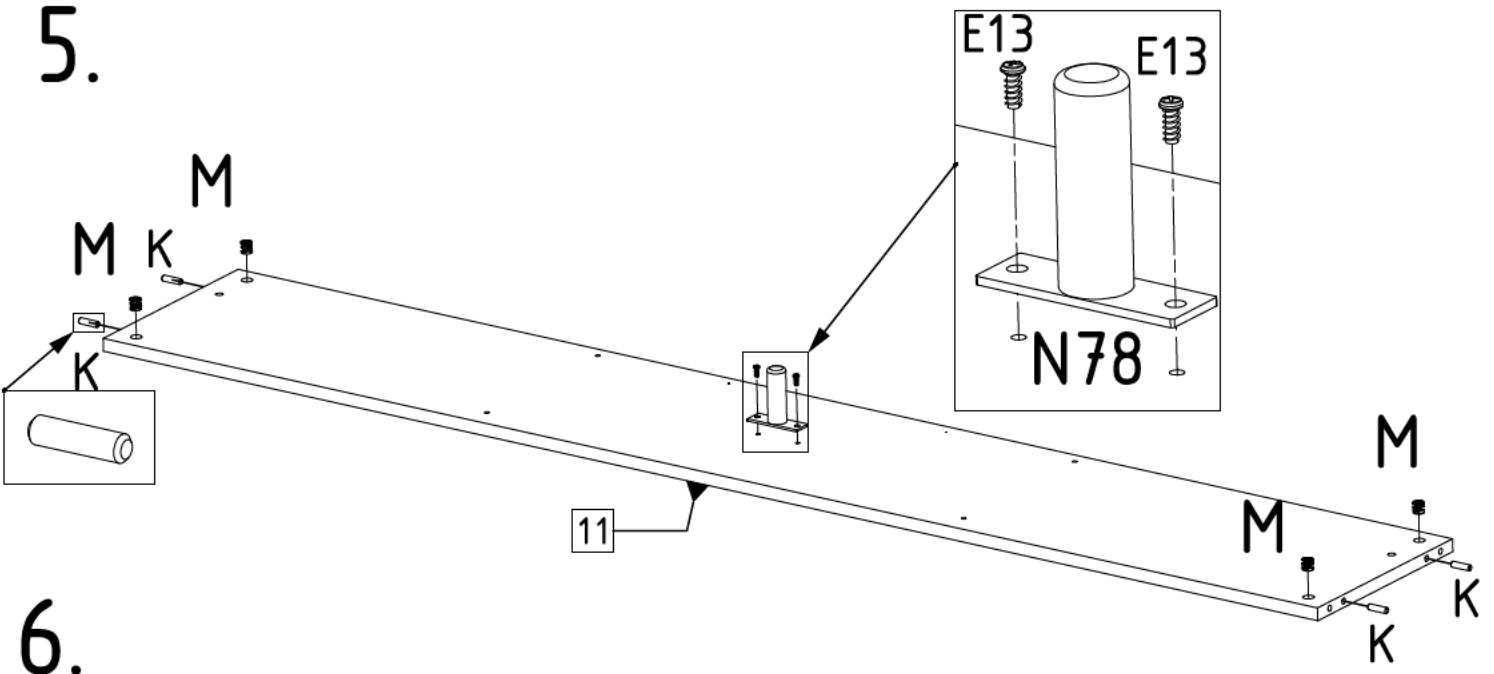


1.

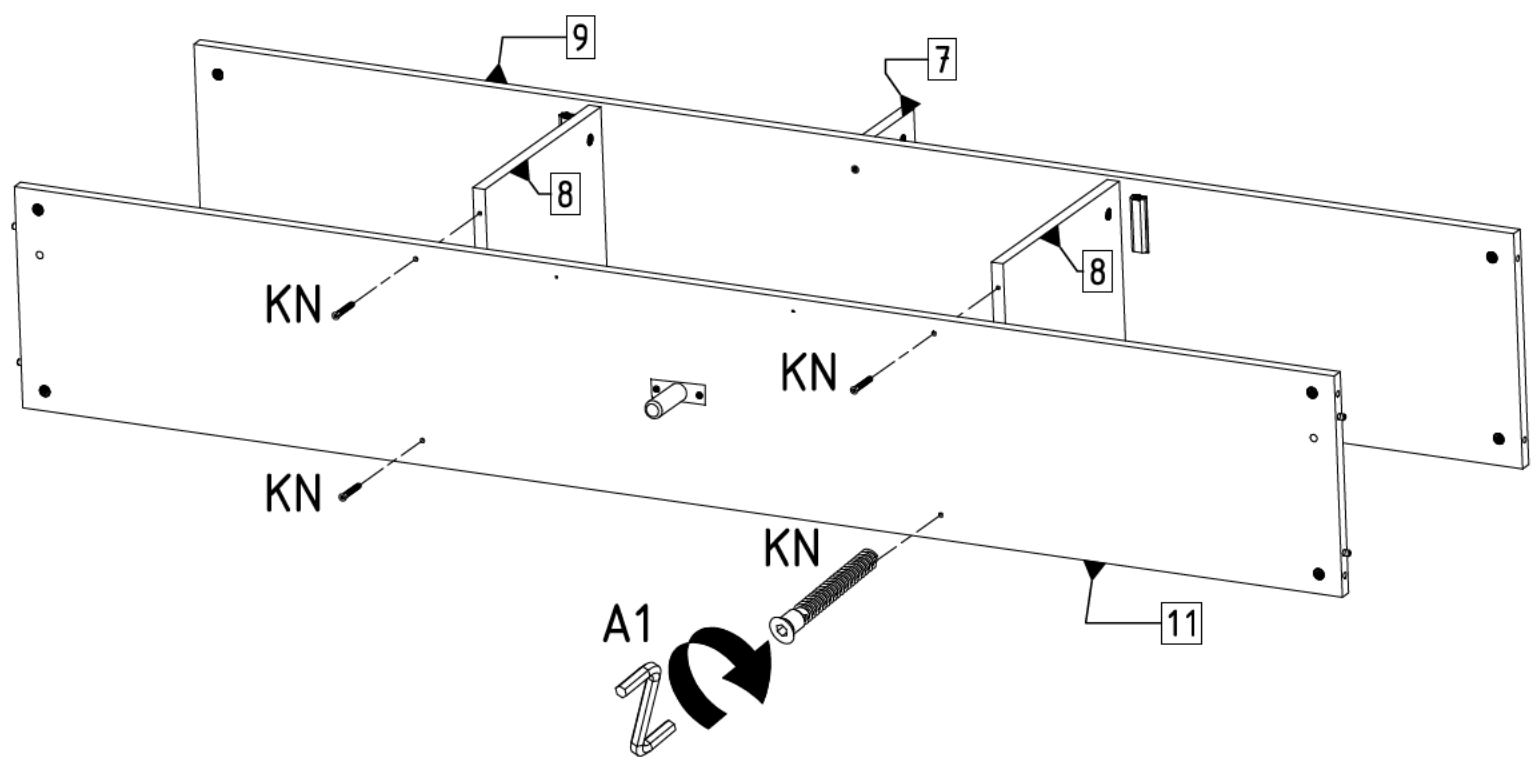




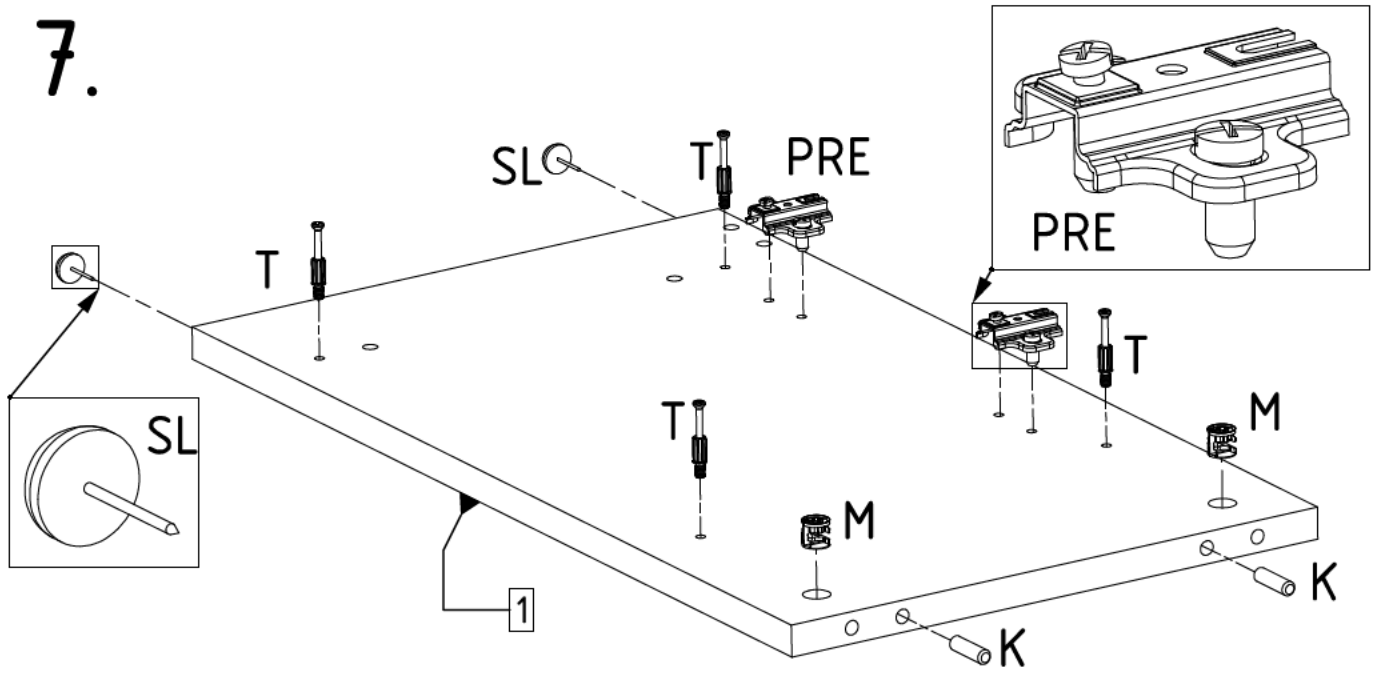
5.

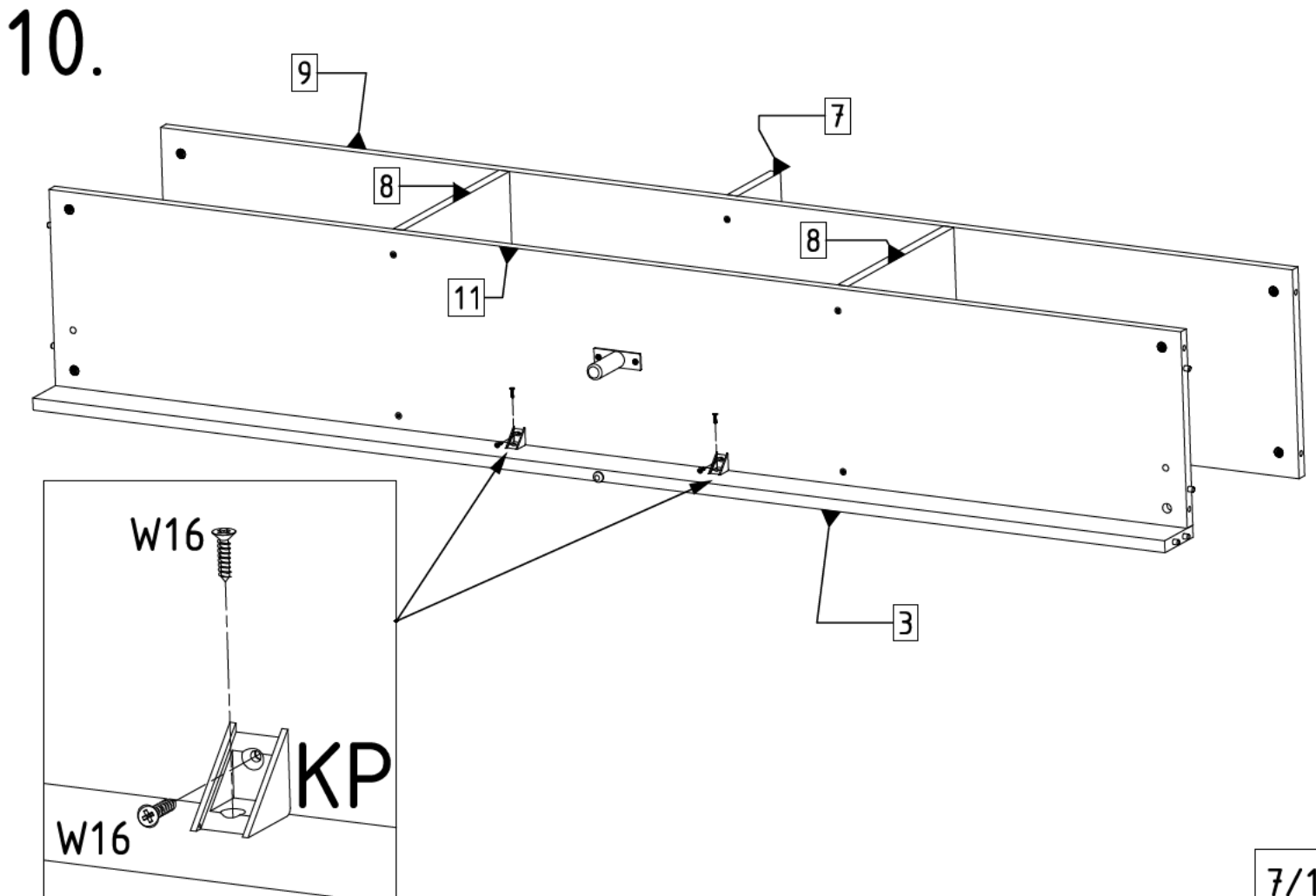
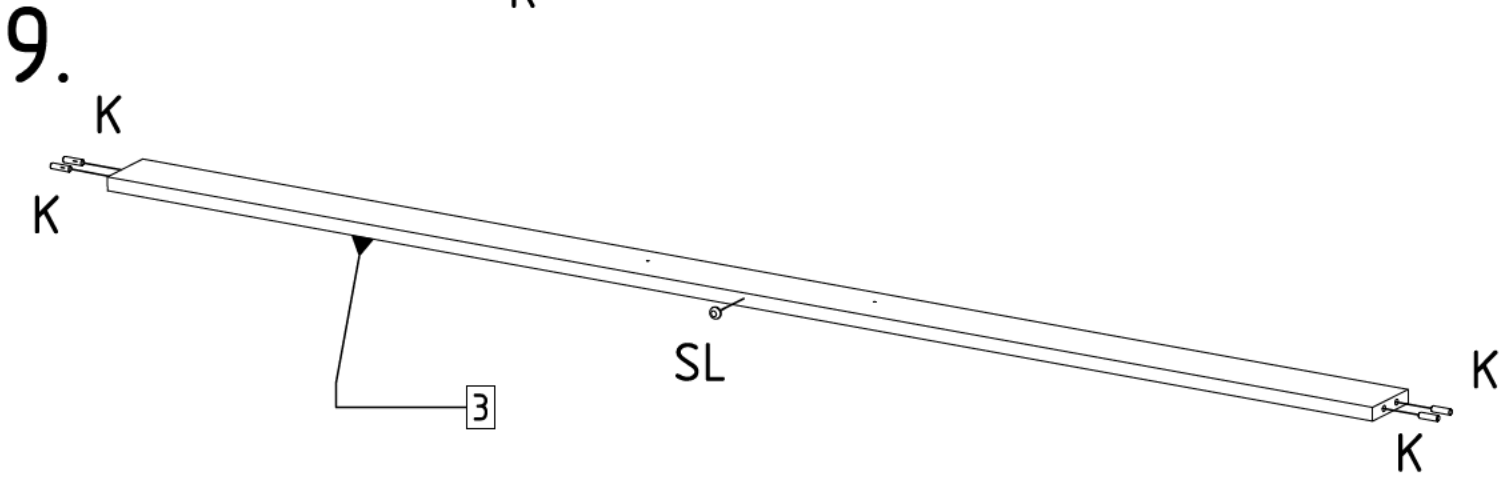
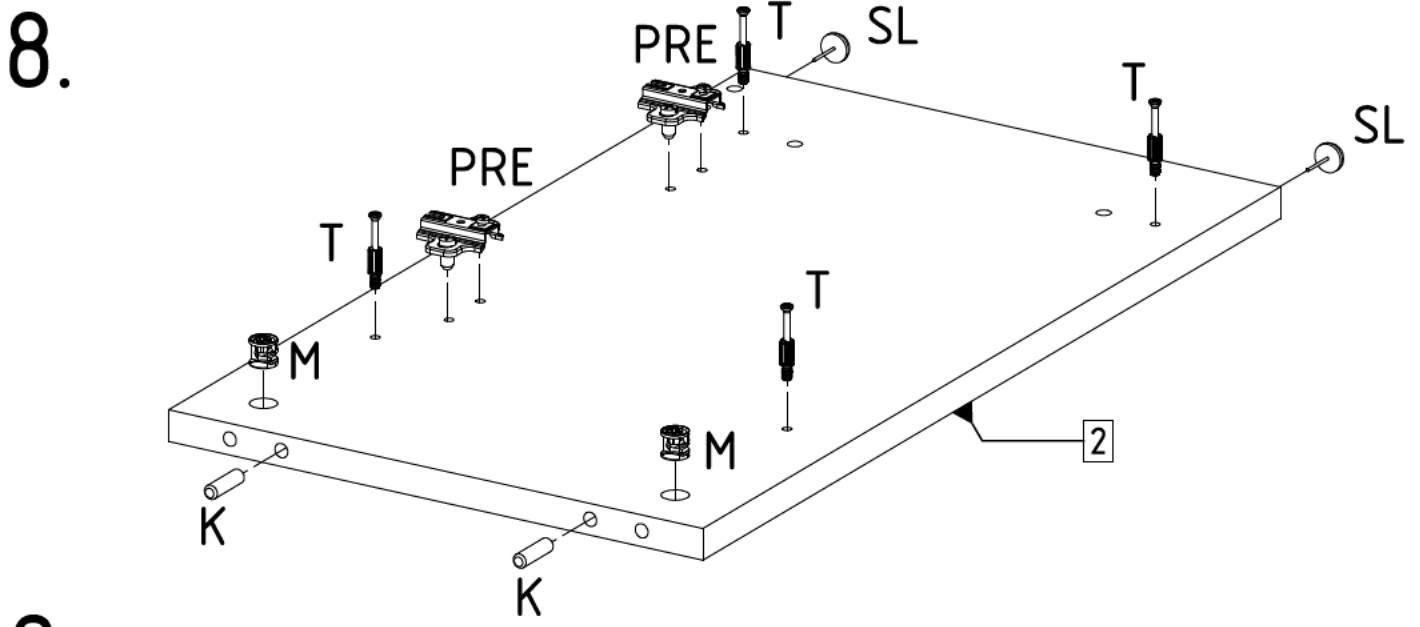


6.

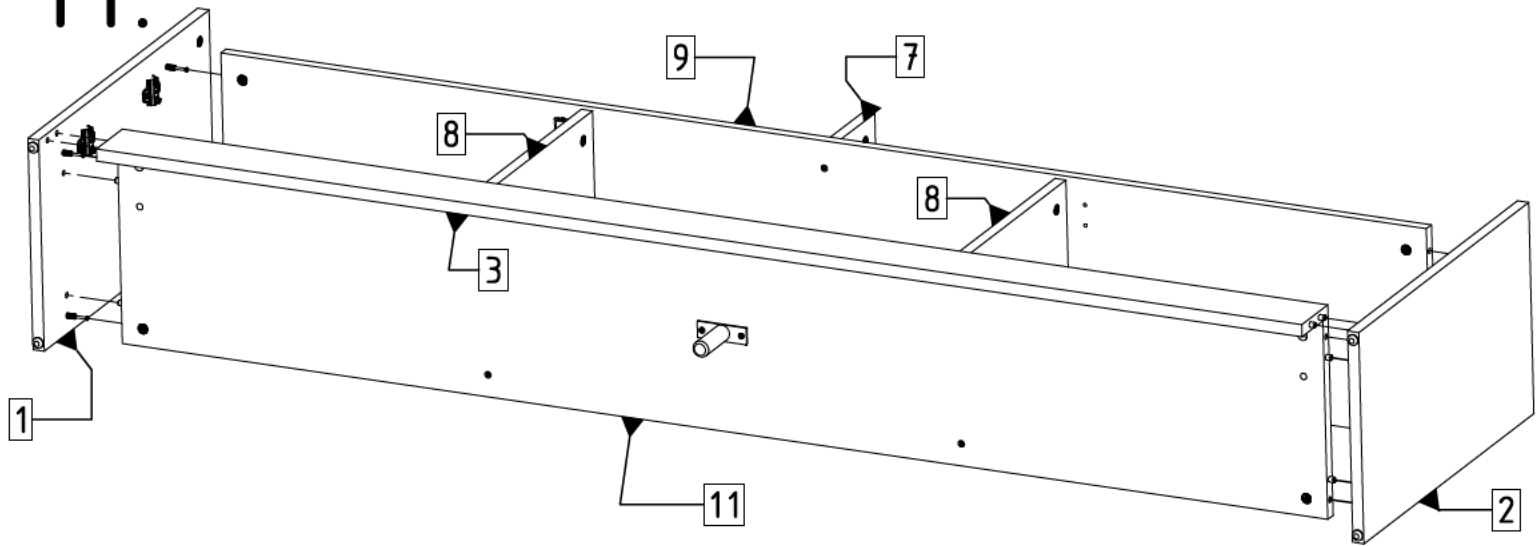


7.

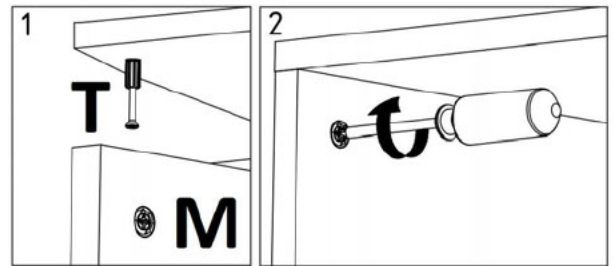
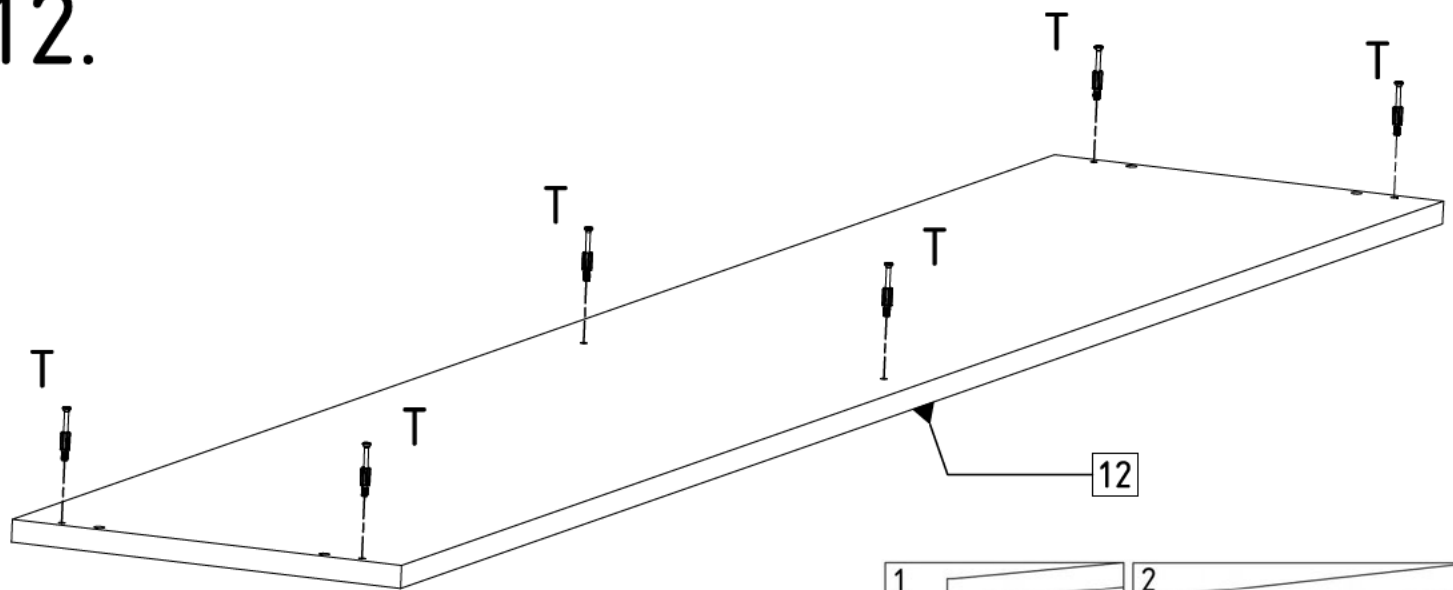




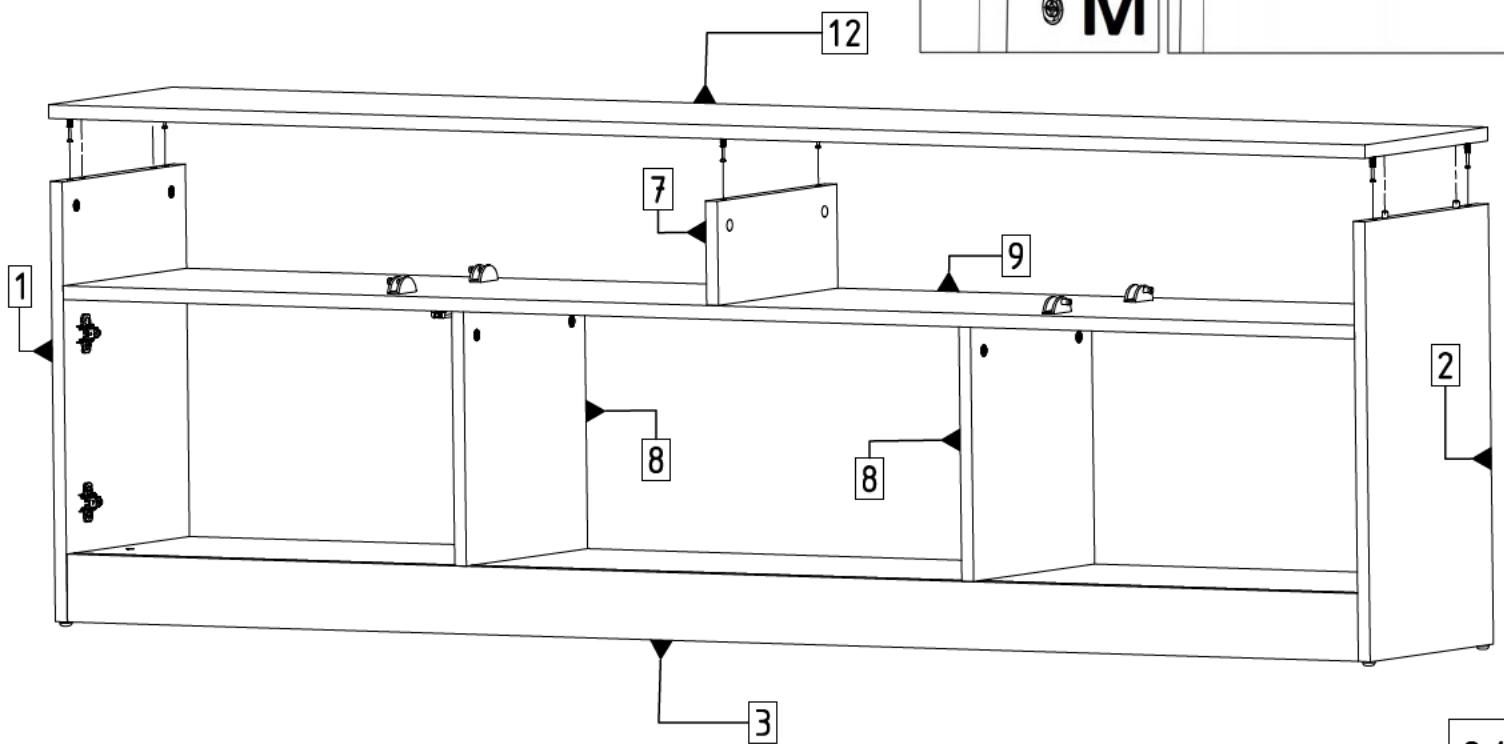
11.



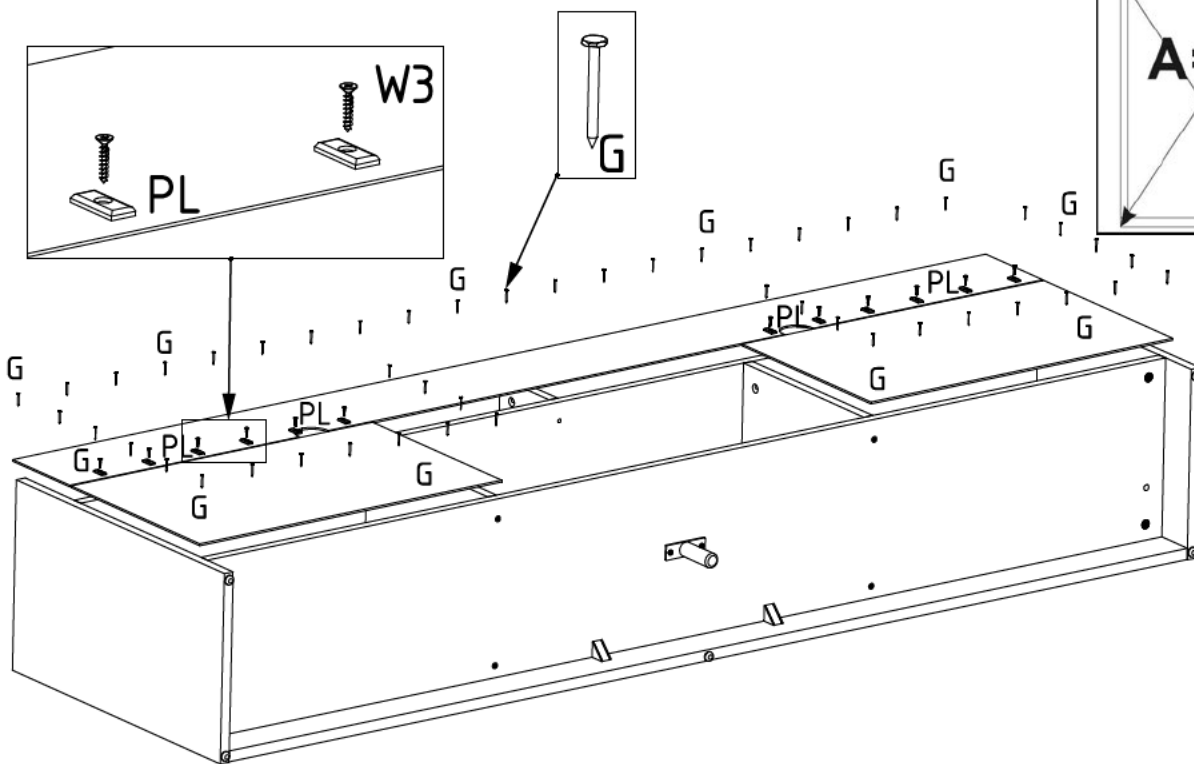
12.



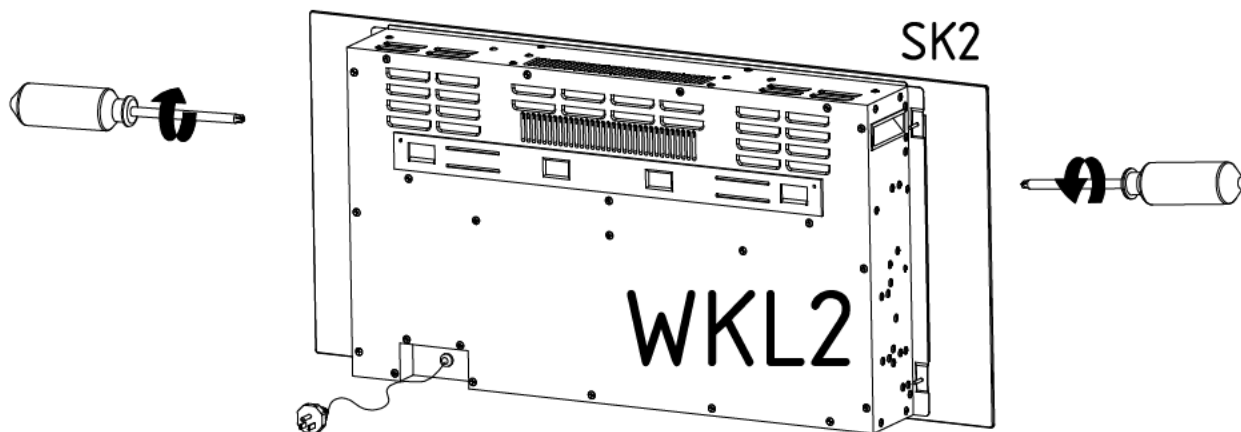
13.



14.

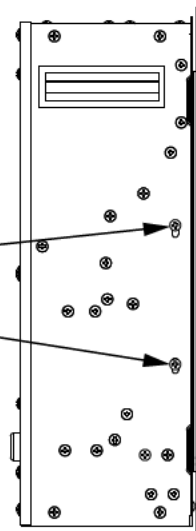
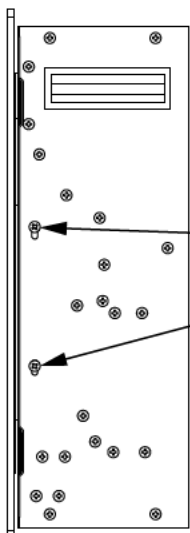


15.



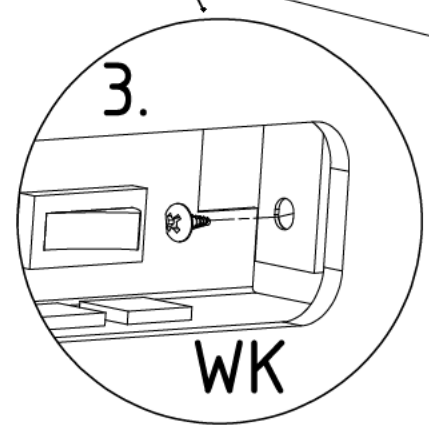
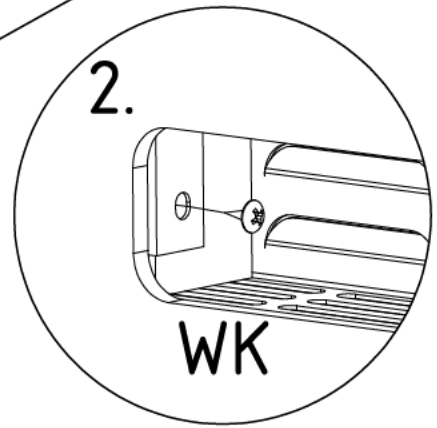
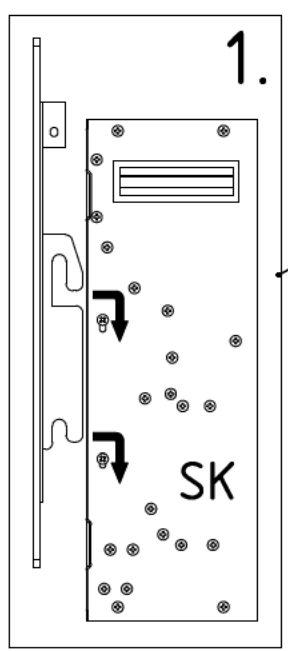
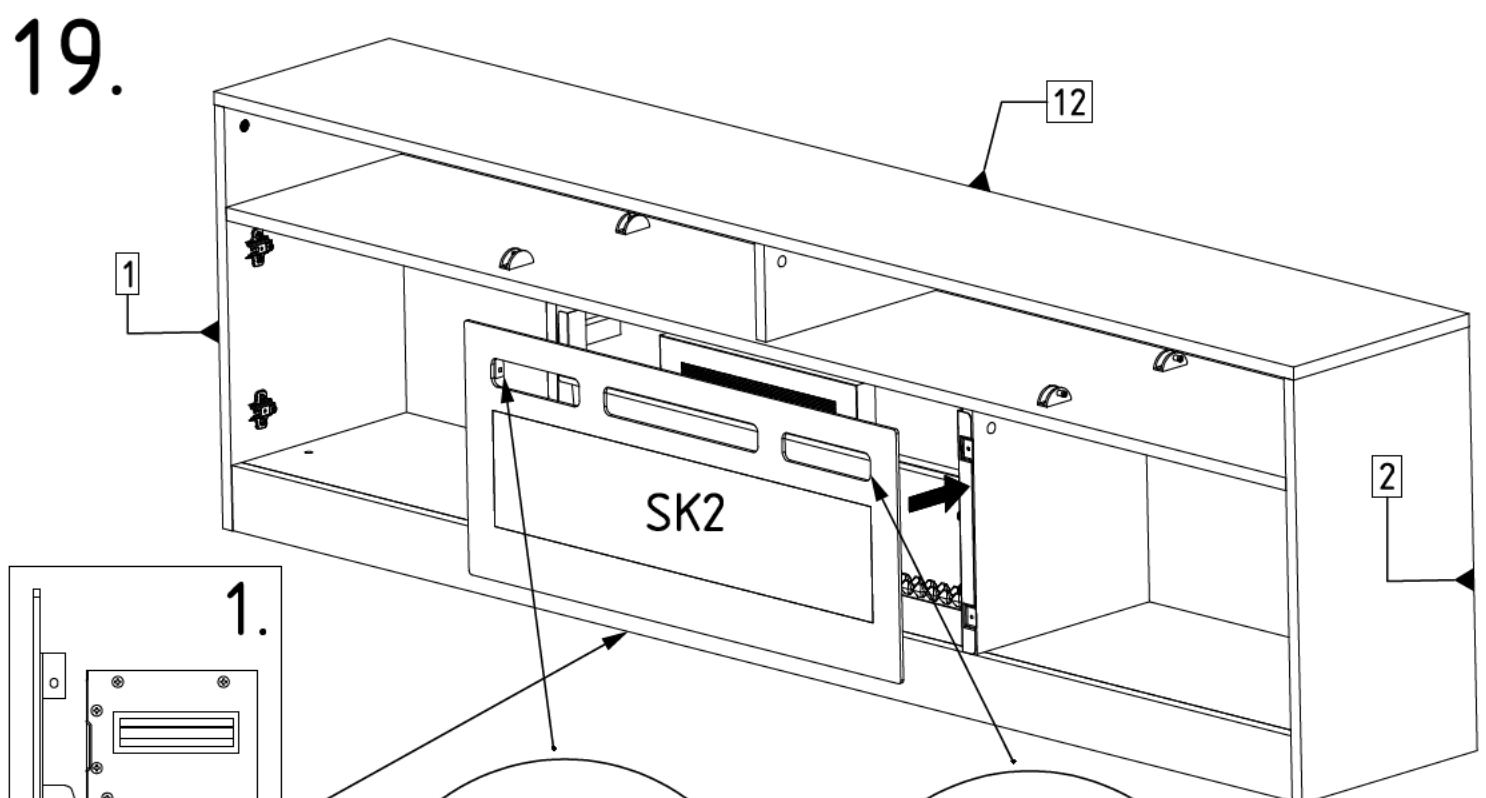
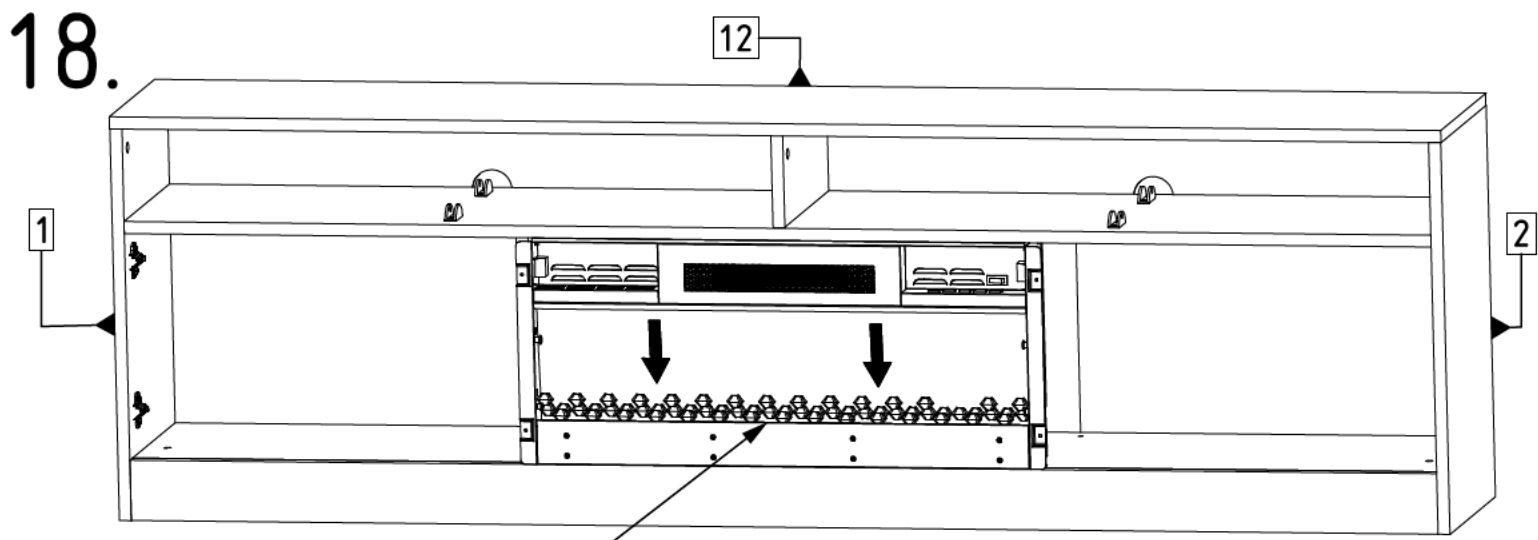
RIGHT SIDE

LEFT SIDE

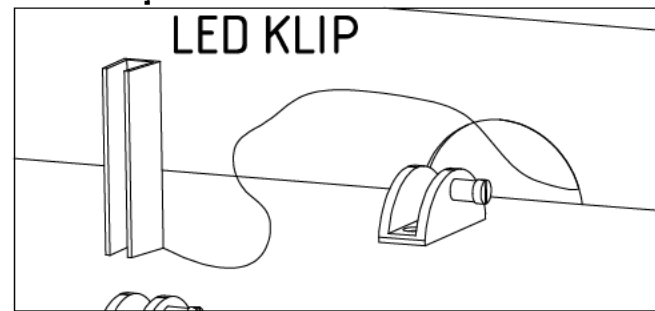
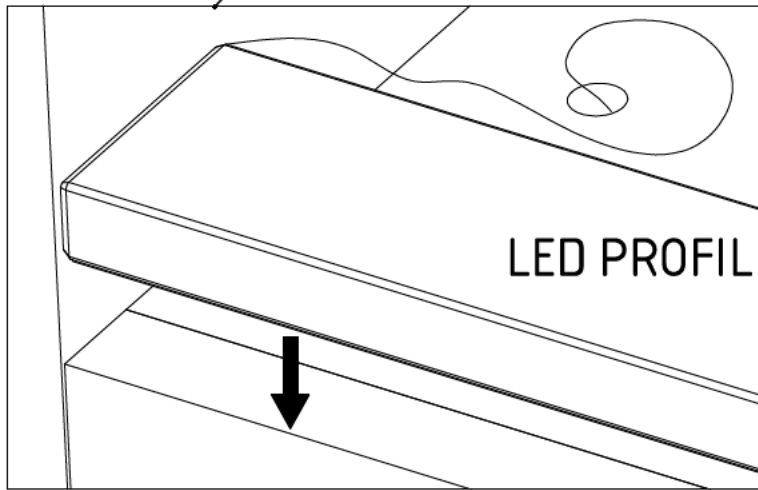
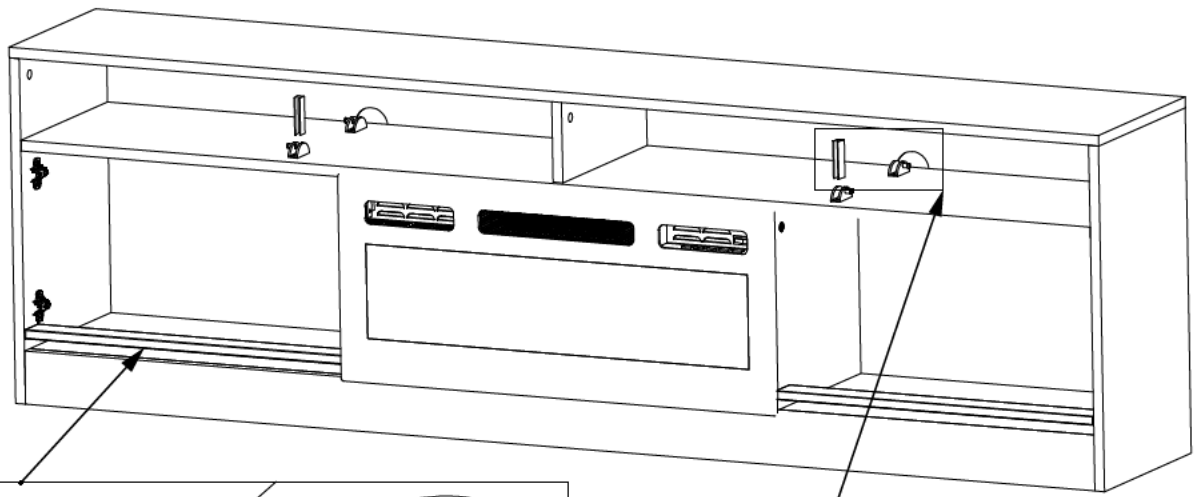


WK

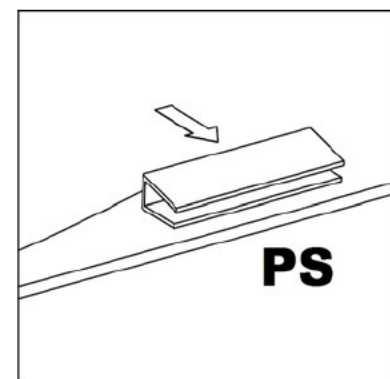
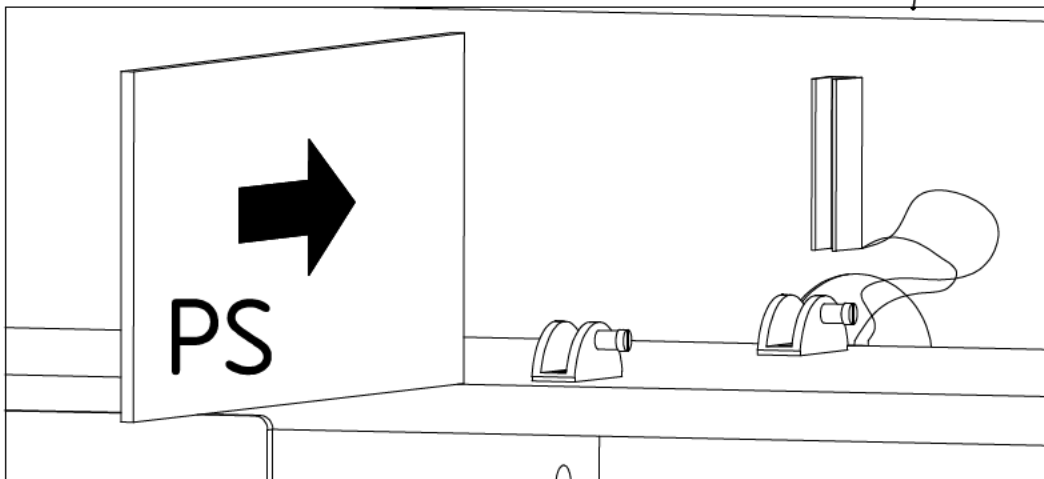
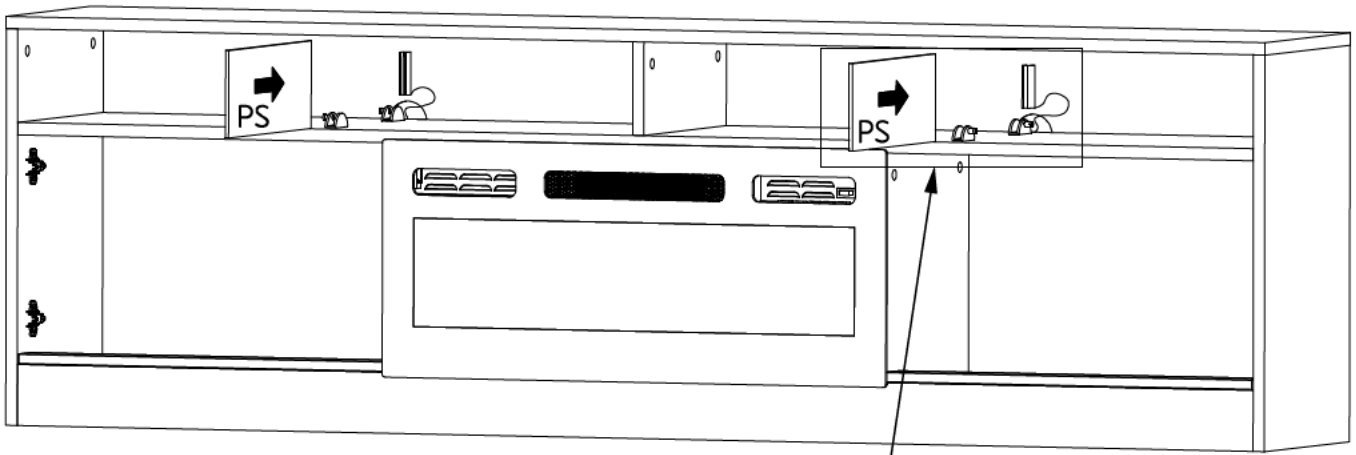




20.

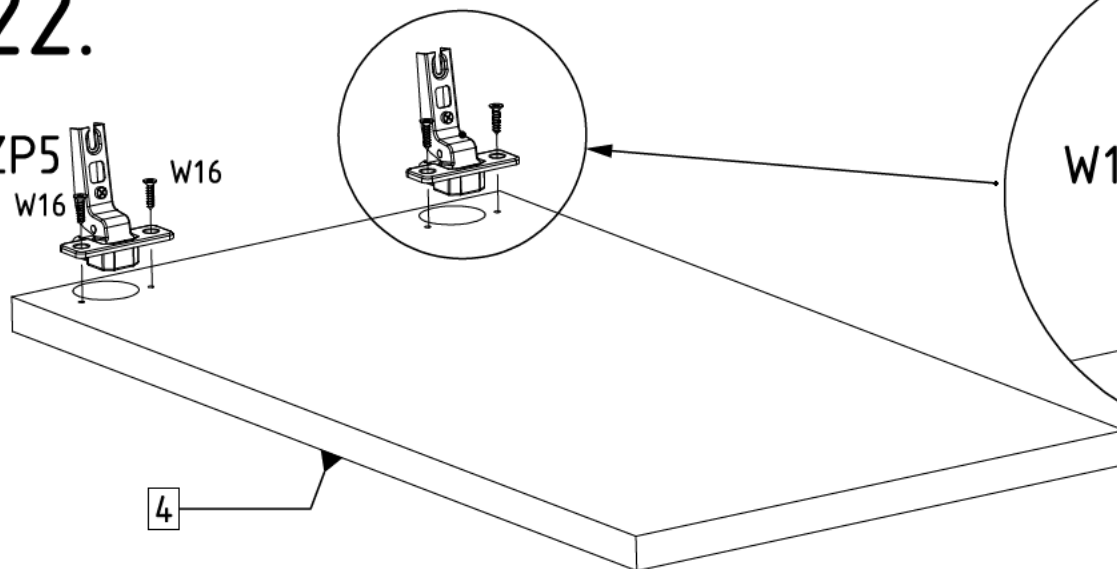


21.



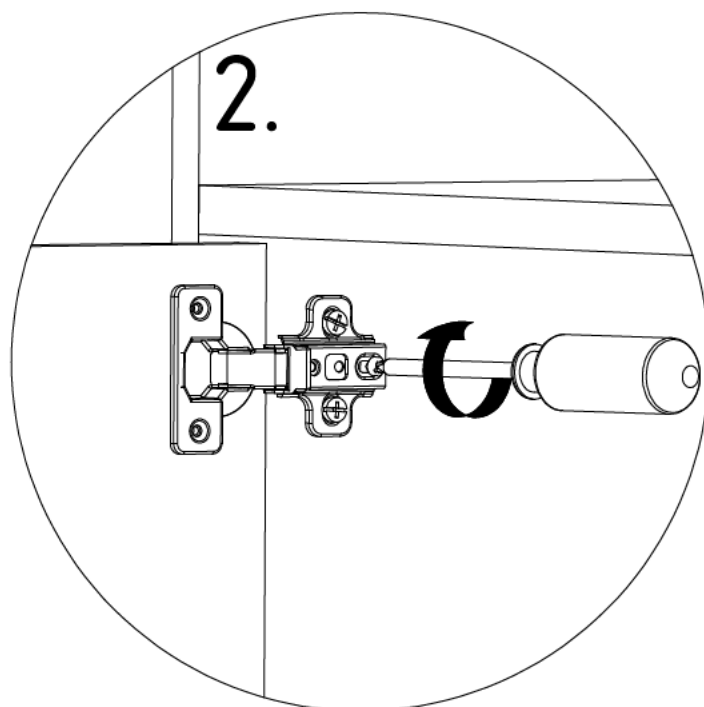
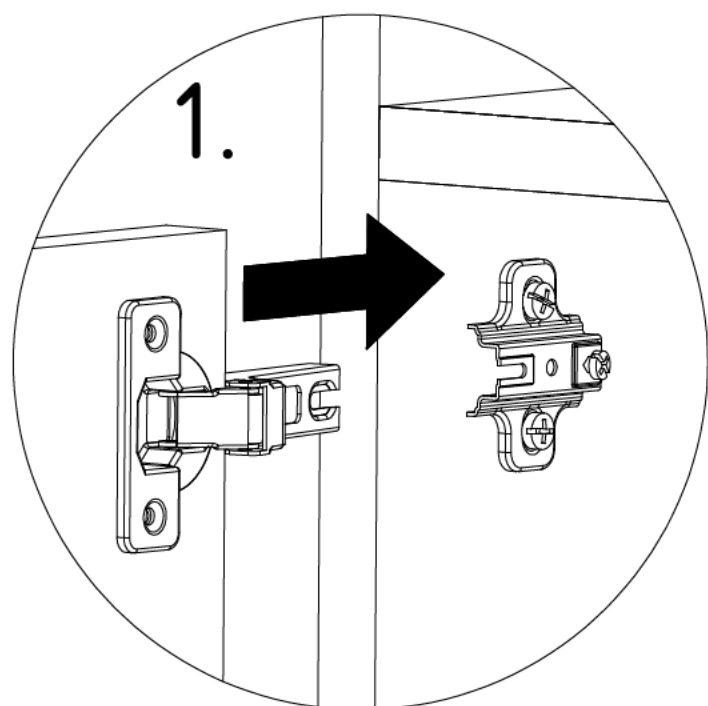
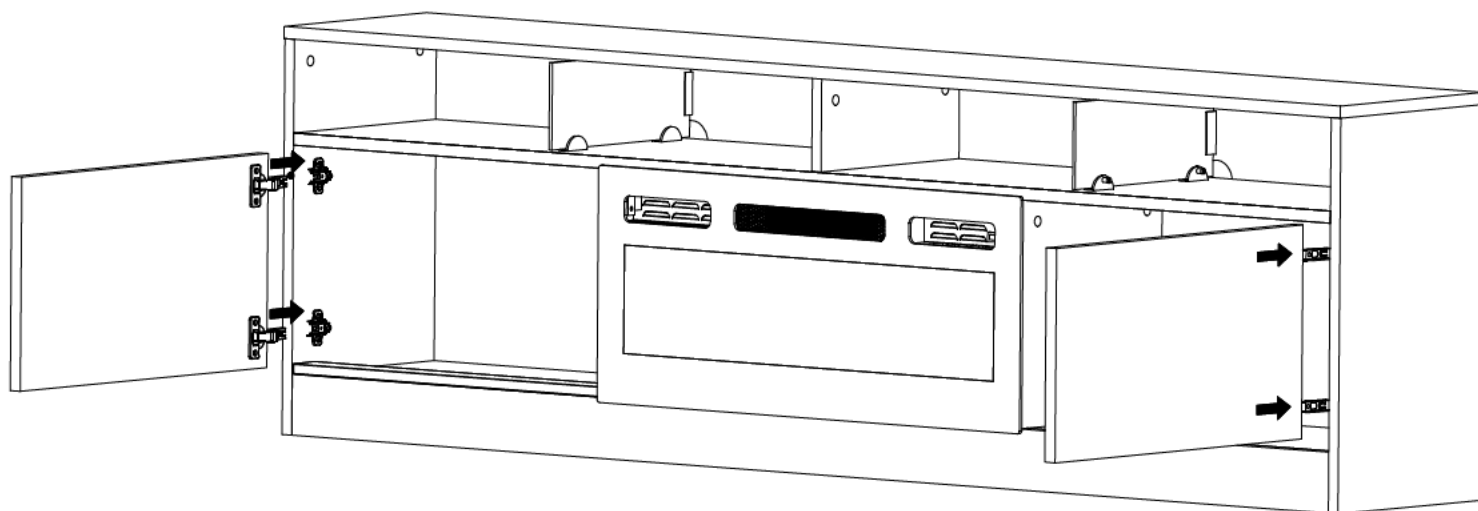
22.

ZP5  
W16



x2

23.



24.



max.  
10kg

