

DREAMS

IDEA

Instruction Manual



DREAMS/DEA

NO:CS0007-CORNER

NOTICE

THE PILLOWS ARE FILLED WITH CUT SPONGE,
WHICH IS A PRODUCING TECHNIQUE.

WE PROMISE THAT ALL RAW MATERIALS
USED ARE BRAND NEW, SAFE TO USE,

AND IN ACCORDANCE WITH LAWS AND REGULATIONS,
WILL NOT EFFECT THE QUALITY AND SAFETY.

WE RECOMMEND ASK FOR PROFESSIONAL HELP IF NEEDED,
AND WE ALSO PROVIDE INSTALLATION VIDEO WITH THIS INSTRUCTIONS,
PLEASE CHECK THE STEPS CAREFULLY BEFORE YOU START.

IF YOU HAVE ANY QUESTIONS,
PLEASE FEEL FREE TO CONTACT US ANYTIME.

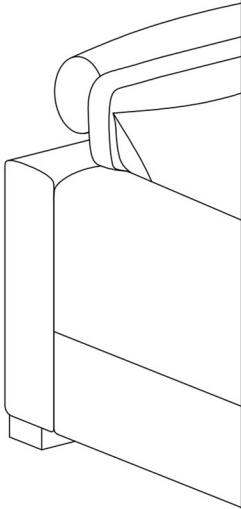
HAVE A GREAT DAY!



ITEM NO. CS0007-CORNER

WARRANTY

WE STRIVE TO OFFER HIGH-QUALITY PRODUCT AND WE ALSO TRY OUR BEST TO SATISFY EACH CUSTOMER THAT ORDERS FROM US WITH PRODUCT OR SERVICE AS NEEDED. EACH CUSTOMER RECEIVES A RECORD OF THEIR ORDER, SUCH AS THE ORDER NUMBER OR ITEM RECEIPT. FOR ANY ITEMS THAT ARE OUT OF THE WARRANTY PERIOD, YOU MAY STILL RECEIVE REPLACEMENT PARTS BY PURCHASING THEM FROM OUR COMPANY IF THEY ARE AVAILABLE.



Are you having difficulty
with assembly? Missing parts?

Please contact us : info@firstopintl.com

Tel.5627813327

send an email with your order No. to us

For return, please check the return policy with
the retailer or market place you bought from.

Appreciate your purchasing from us.

Pop up your life by our furniture !

MAINTAINANCE AND WARNING

Please read the manual throughly before
you start install.

Please always use proper tools for
installment.

Packaging and small parts may have
chocking hazard, please keep them away
from children and pets.

Please clean the product with dry clean
cloth, some of the parts may be able to
wash directly. Check with the product
description!

Please keep the product away
from fire.

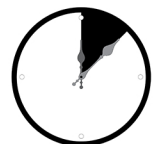
Please keep the product away from
sharp objects.

IF the product is placed under direct
sunlight, the pattern or color might
fade away.

Do not jump on the product.

Check the product periodically to make
sure everything is tightened.

If you have any questions else, please
contact us,we will be glad to help
you out.



PRDOUCT DESCRIPTION

Comfortable sectional sofa: made of breathable corduroy and sturdy wooden frame, ensuring durability and stability. Seat cushion is equipped with high density foam and durable inner springs.

Adjustable headrest: enjoy personalized comfort with adjustable headrest design, supports the neck and providing optimal relaxation.

Detachable cushion and washable covers: Easily clean the detachable cushion and covers by using the zipper on them to take off and wash or replace

Wide seats: enlarged cushions are perfectly for sitting, both frames and cushions are increased in size, allowing you to rest your whole body while using this sofa.

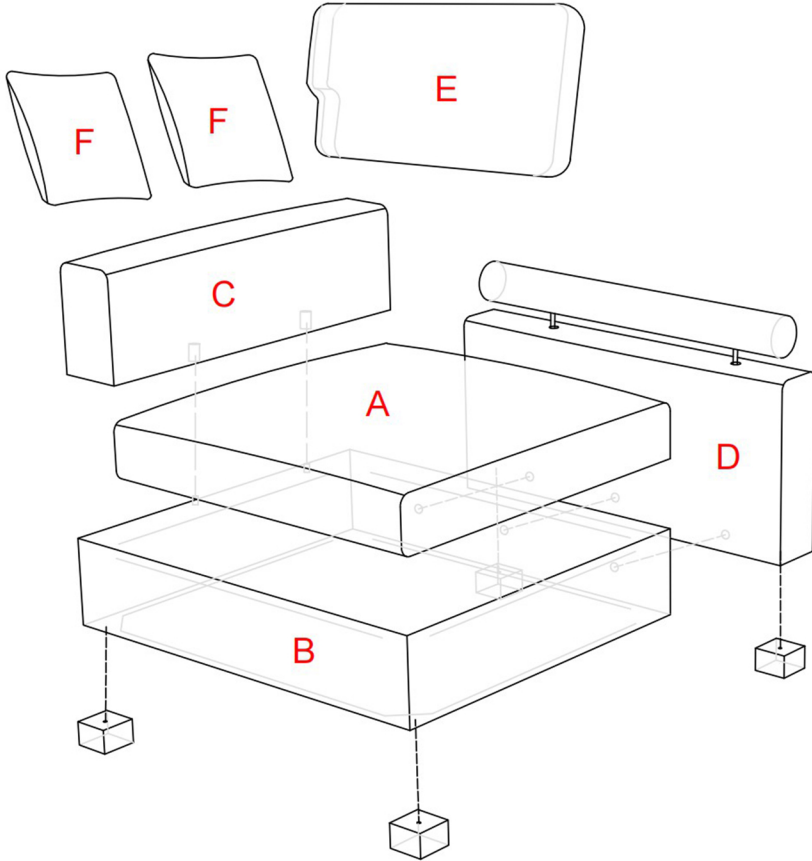
Easy assembly process: where all parts are labeled with letters or numbers indicators for simple steps completion.

Dream

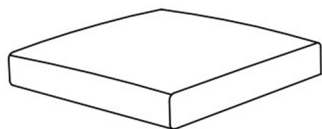


House

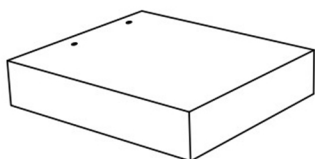
EXPLODED VIEW



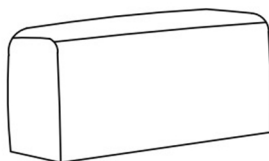
PARTS



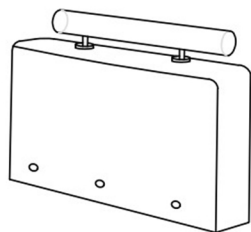
*Item A*1*
Seat bag



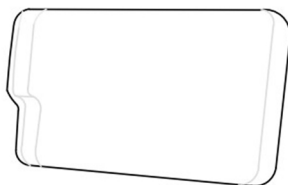
*Item B*1*
Sofa frame



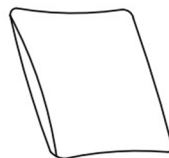
*Item C*1*
Armrest frame



*Item D*1*
Backrest frame



*Item E*1*
Backpack

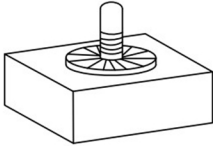


*Item F*2*
Throw Pillow

HARDWARE

TOOL LIST

H*4



★ *Sofa Legs*

I*6



Screw

J*1



Screw handl

K*1



Hook

NOTE:

DESIGNATED WITH (★) WE PROVIDE
ADDITIONAL SPARE PARTS IN THE HARDWARE PACKAGE

BE SURE TO CHECK ALL
PACKING MATERIAL
FITTING THE PACKING
LIST. BE CAREFUL FOR
SMALL PARTS, WHICH
MAY HAVE COME
LOOSE INSIDE THE
CARTON DURING
SHIPMENT.

step 1

CUT THE PLASTIC AIR COMPRESSION BAG FROM THE BOTTOM,

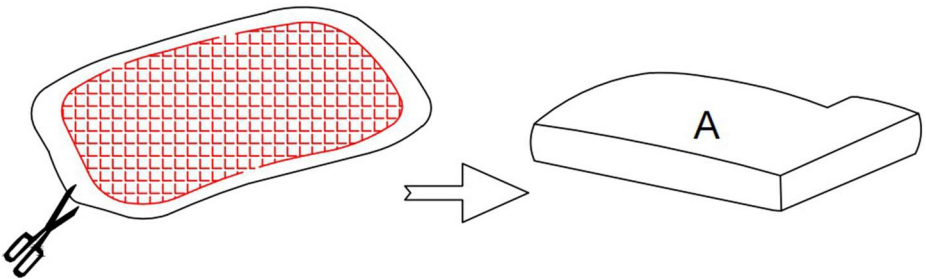
AND TAKE OUT THE CUSHION(A) AS SHOWN.

ATTENTION:

THE CUSHION NEED 24-48 HOURS TO RESTORE ELASTICITY IN A STATIONARY STATE.

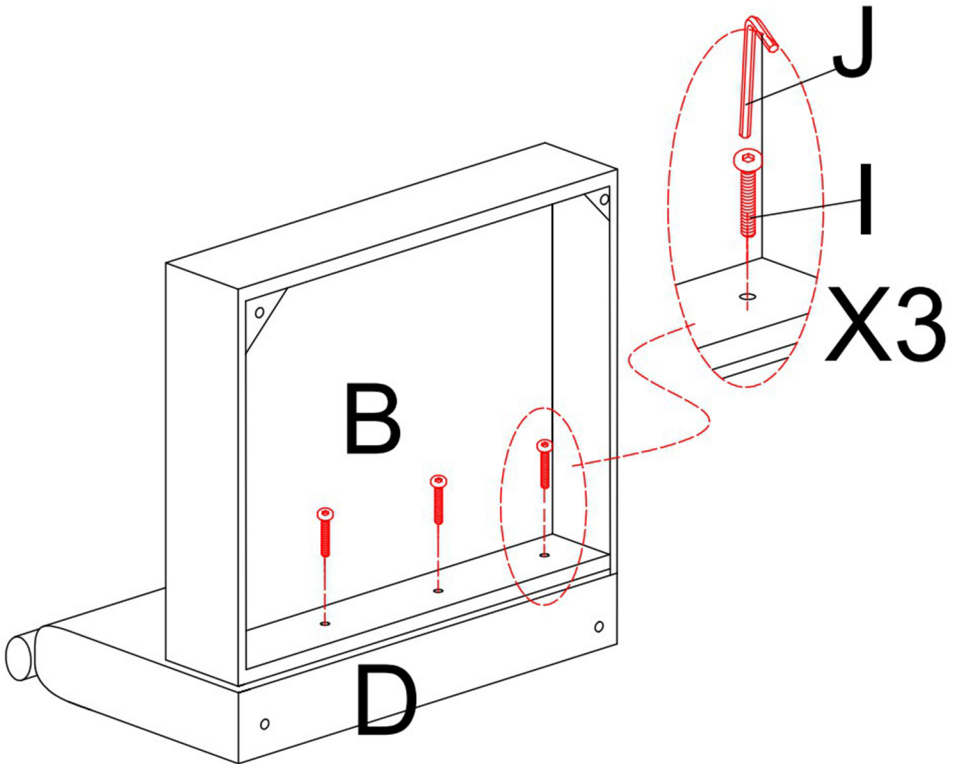
YOU MAY GENTLY SLAP ON IT TO SPEED UP THE PROCESS.

PLEASE BE CAREFUL WHILE CUTTING THE BAGS, DO NOT HURT YOURSELF OR



step 2

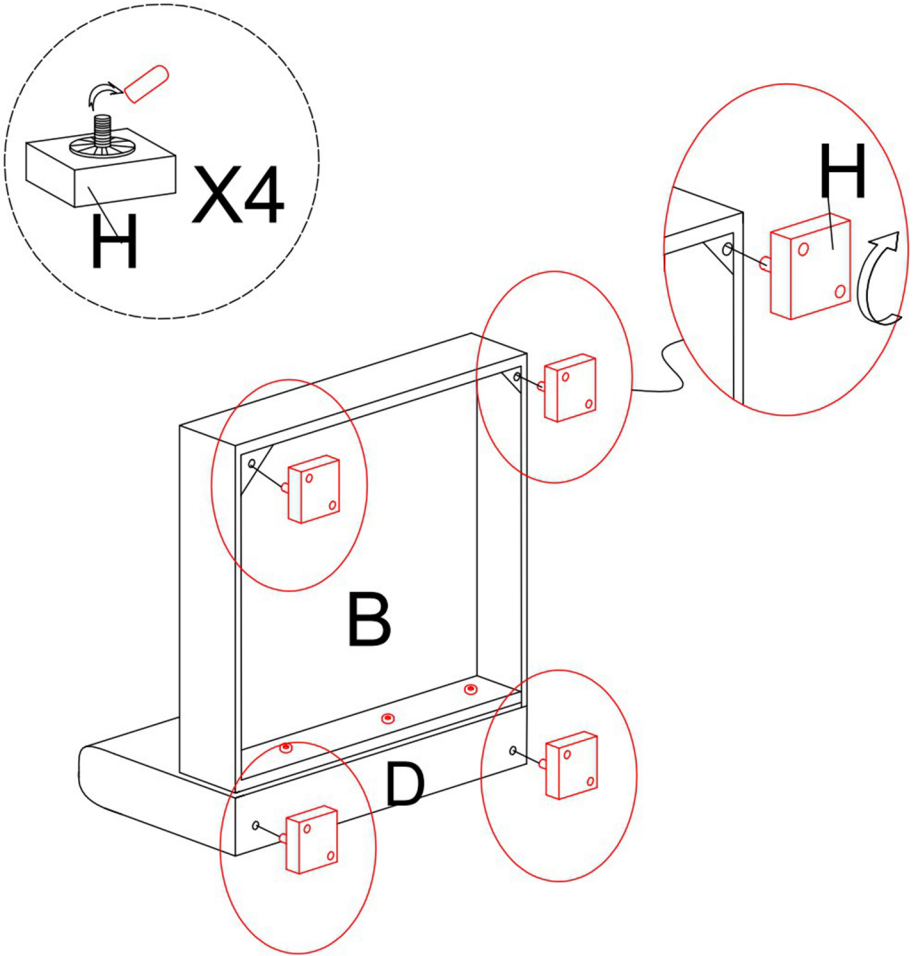
PLACE THE SOFA FRAME (B) ON ITS SIDE AS SHOWN, THEN ALIGN THE SCREW HOLES ON THE BACKREST (D) WITH THE SCREW HOLES ON THE SOFA FRAME. USE THE ALLEN WRENCH (J) PROVIDED TO TIGHTEN ALL THE SCREWS (I), MAKE SURE THEY ARE ALL CORRECTLY ALIGNED BEFORE FULLY TIGHTEN THE SCREWS.



step 3

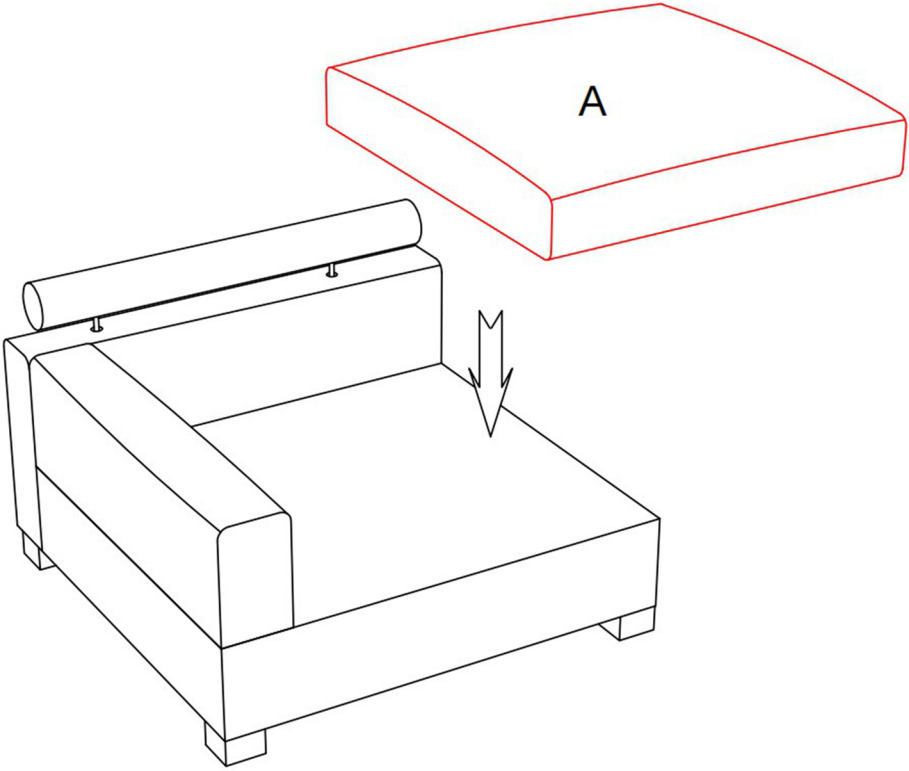
PLEASE REMEMBER TO REMOVE ALL THE PLASTIC CAPS OFF THE SOFA LEG SCREWS AS SHOWN.

FLIP OVER THE SOFA FRAME (B) AS SHOWN, THEN TWIST IN ALL THE LEGS (H) INTO EACH CORNER OF THE SOFA FRAME, MAKE SURE THEY ARE ALL TIGHTENED.



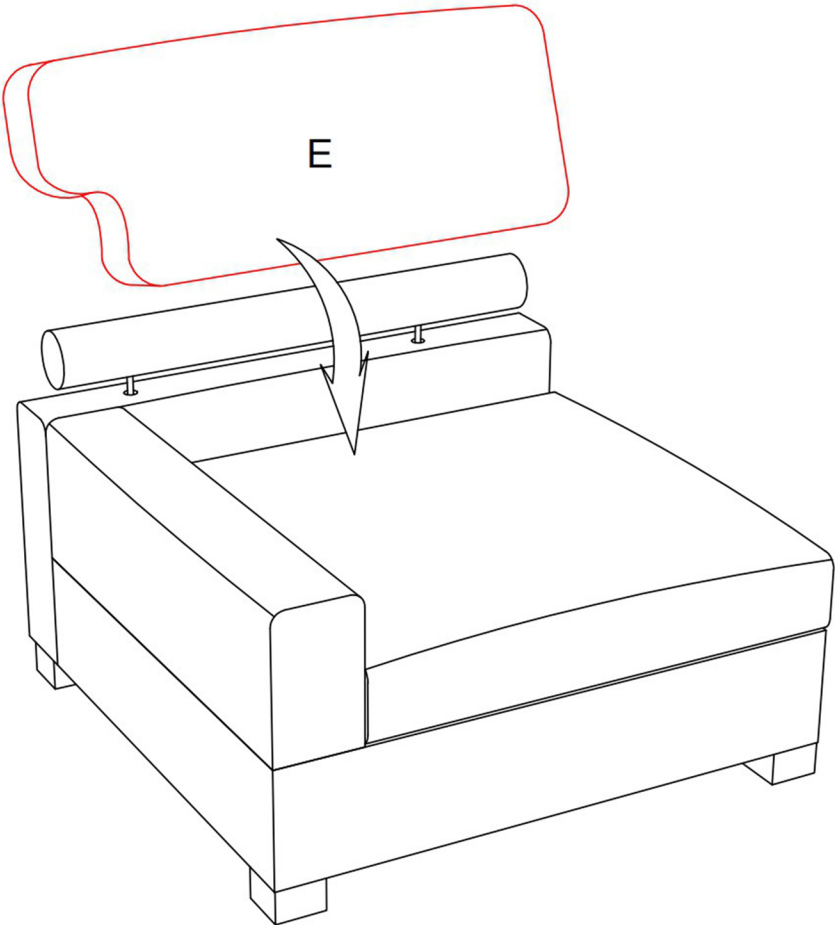
step 5

PLACE THE SEAT CUSHION (A) ONTO THE SOFA AS SHOWN.



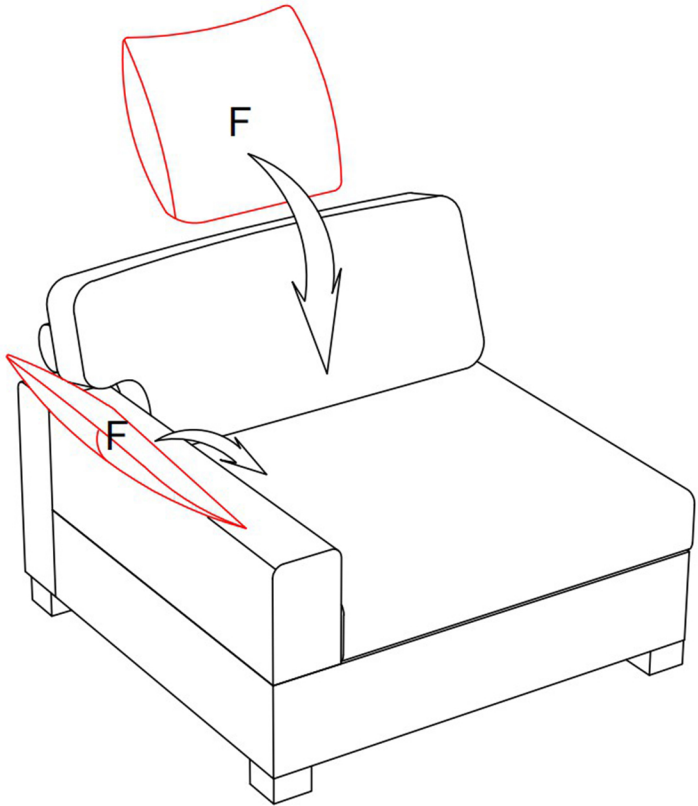
step 6

PLACE THE BACK CUSHION (E) ONTO THE SOFA AS SHOWN.



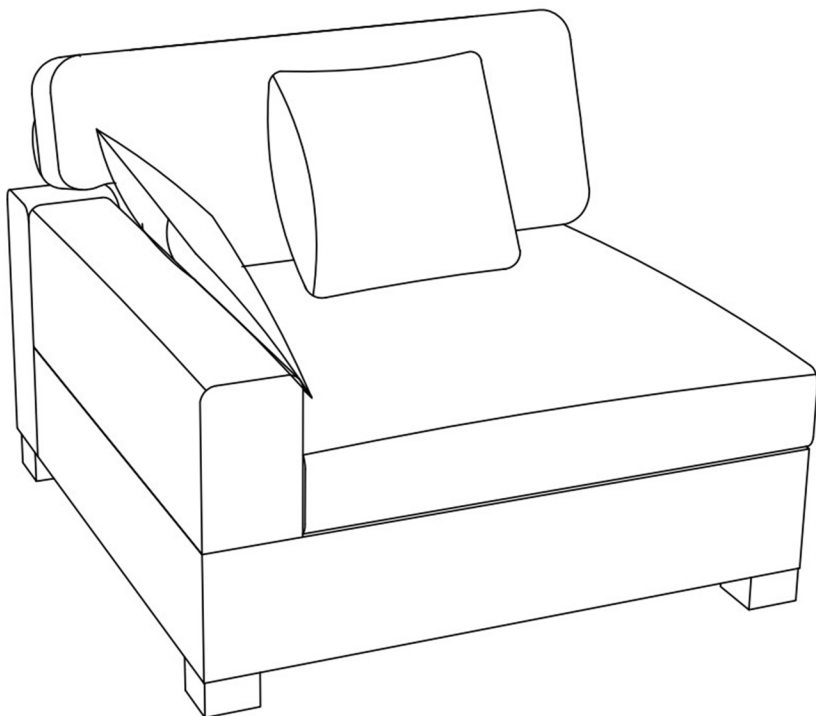
step 7

PLACE THE THROW PILLOWS (F) ONTO THE SOFA AS SHOWN.

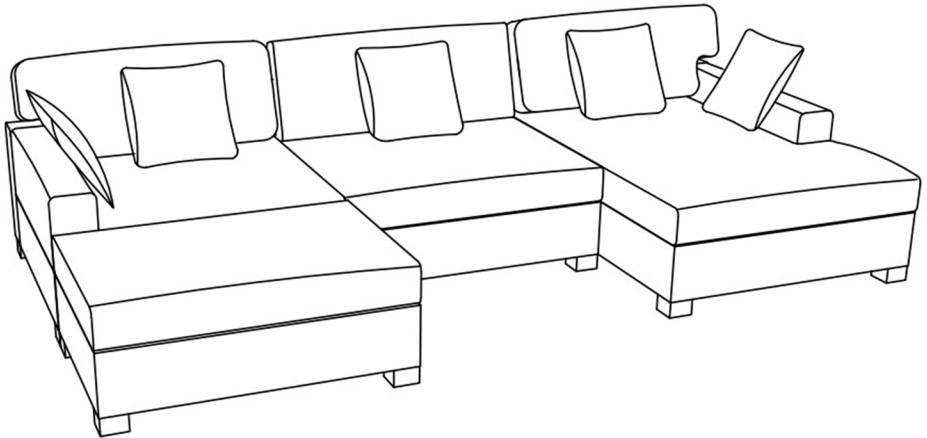


step 8

CONGRADULATIONS! THE ASSEMBLY HAS COMPLETE! THANK YOU AGAIN FOR CHOOSING OUR PRODUCT, PLEASE ENJOY!

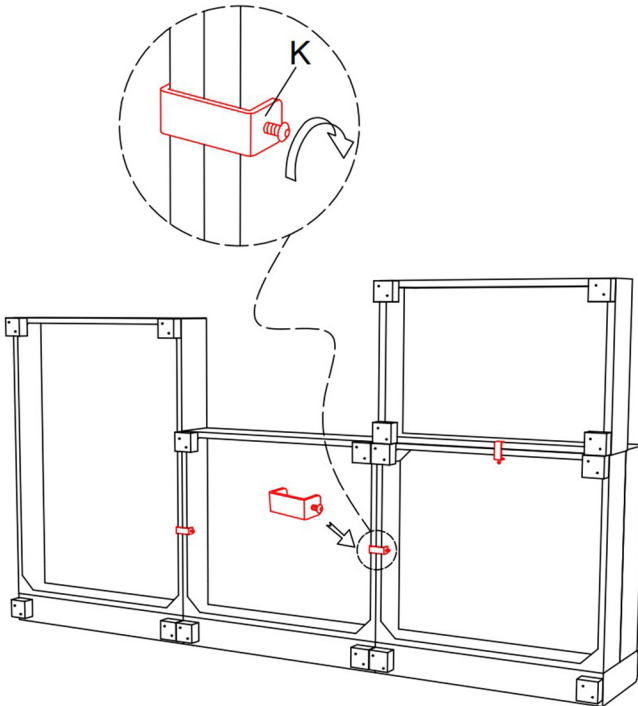


step 9



step 10

THERE IS ONE METAL CONNECTOR (K) INSIDE EACH PACKAGE. THE METAL CONNECTOR IS USED TO CONNECT SECTIONAL SOFAS TOGETHER, IF YOU ARE ONLY USING ONE PIECE OF THE SECTIONALS, THE CONNECTORS WILL NOT BE USED DURING THE ASSEMBLY. IF YOU WANT TO CONNECT SECTIONALS TOGETHER, PLEASE USE THE CONNECTORS BEFORE THE HEADREST IS INSERTED. PLACE THE SECTIONALS UPSIDE DOWN ON A CLEAN SURFACE, AND BRING BOTH OF THE PARTS AS CLOSE AS POSSIBLE, MAKE SURE BOTH OF THE PARTS ARE ALIGNED, THEN FIX THE CONNECTOR AT 40 CM (ABOUT 16 INCHES) AWAY FROM THE FRONT AND BACK EDGES, THEN TIGHTEN THE CONNECTOR. AFTER BOTH PARTS ARE CONNECTED, FLIP THEM OVER AND INSERT THE HEADREST.





ASSEMBLY INSTRUCTIONS

Tel.5627813327

Please contact us: info@firstopintl.com

<https://www.dreamsidea.com>