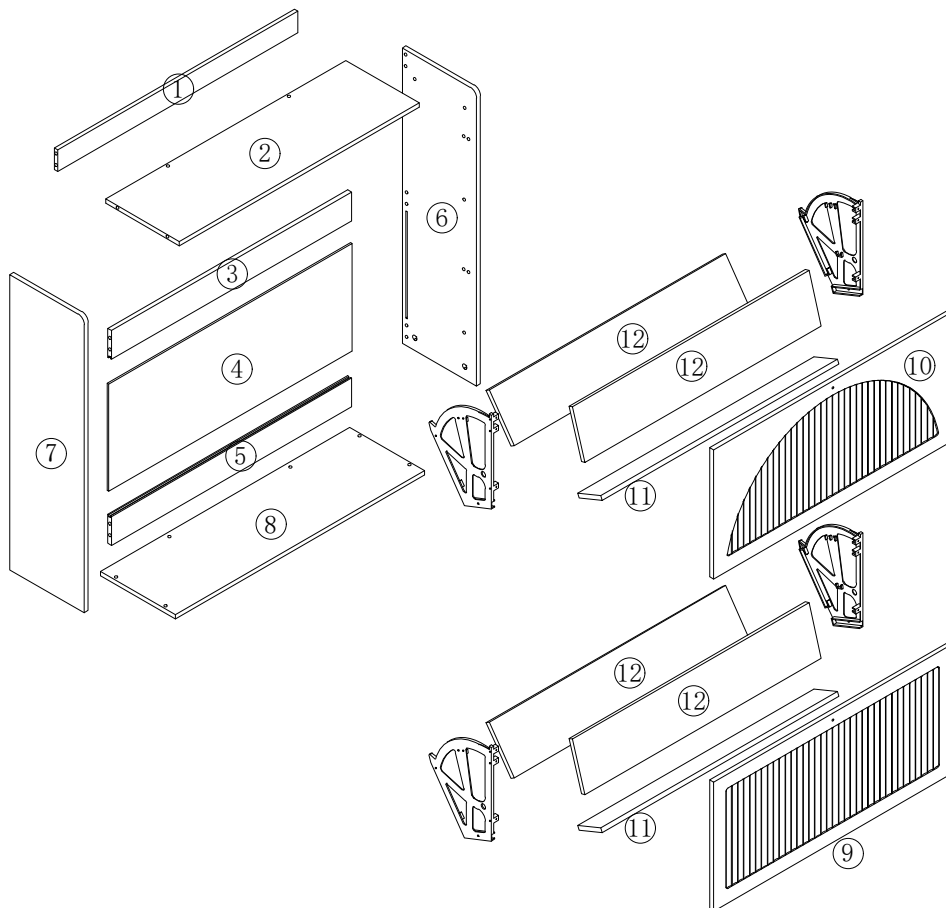
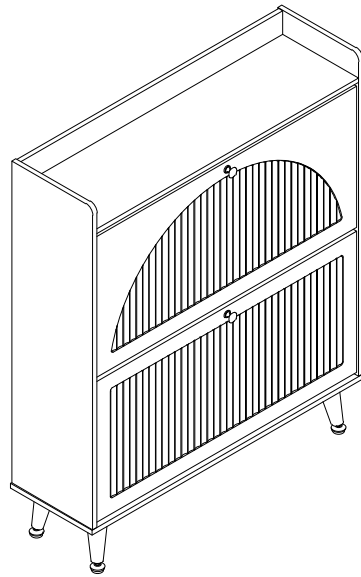
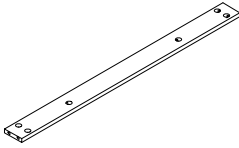
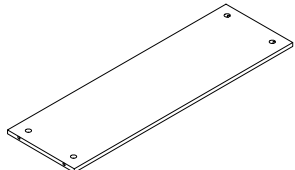
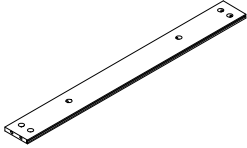
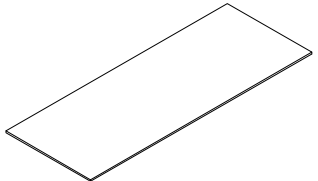
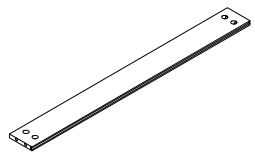
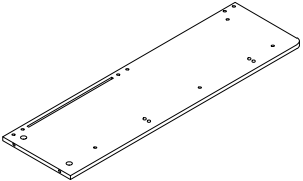
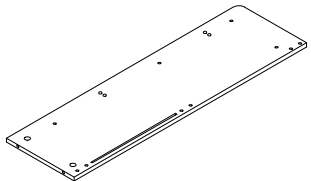
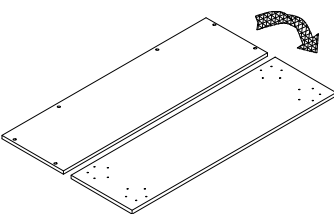
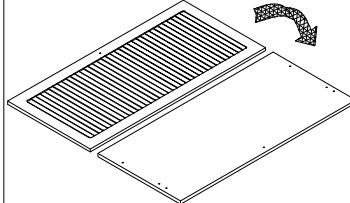
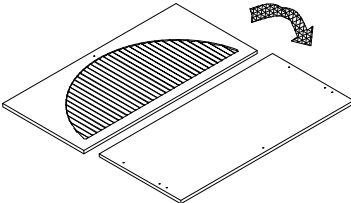
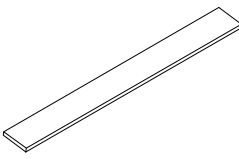
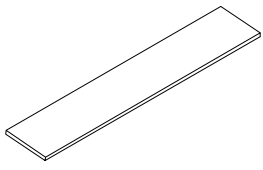







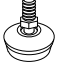



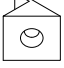
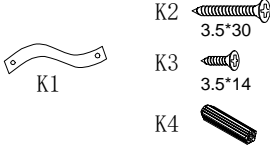

ASSEMBLY INSTRUCTION



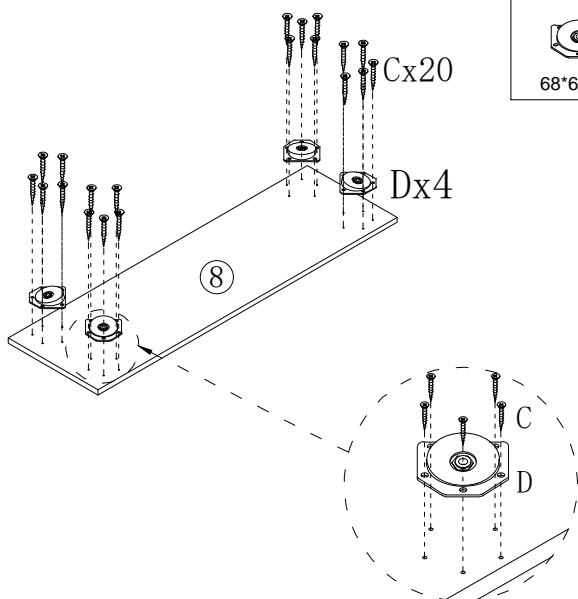
ASSEMBLY INSTRUCTION

① 1PC 	② 1PC 	③ 1PC 	④ 1PC 
⑤ 1PC 	⑥ 1PC 	⑦ 1PC 	⑧ 1PC 
⑨ 1PC 	⑩ 1PC 	⑪ 2PCS 	⑫ 4PCS 

ASSEMBLY INSTRUCTION

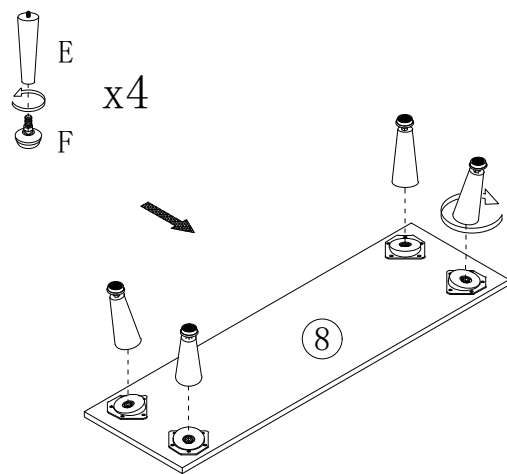
<p>A 24PCS</p>  <p>M6*40</p>	<p>B 24PCS</p>  <p>Ø15*9.5</p>	<p>C 48PCS</p>  <p>φ 3.5*14</p>	<p>D 4PCS</p>  <p>68*68*11</p>
<p>E 4PCS</p>  <p>H=100mm</p>	<p>F 4PCS</p>  <p>M8</p>	<p>G 2sets</p>  <p>G1 G2 G3 G4 G5</p>	<p>H 2PCS</p> 
<p>I 2PCS</p>  <p>M4*18</p>	<p>J 4PCS</p> 	<p>K 1set</p>  <p>K1 K2 K3 K4</p>	

Step 1



- C 20PCS
φ3.5*14
- D 4PCS
68*68*11

Step 2

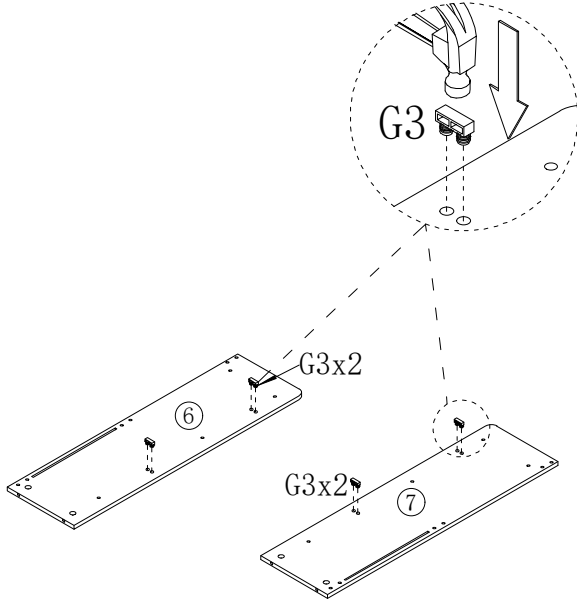


- E 4PCS
- F 4PCS
M8

ASSEMBLY INSTRUCTION

Step 3

G3 4PCS

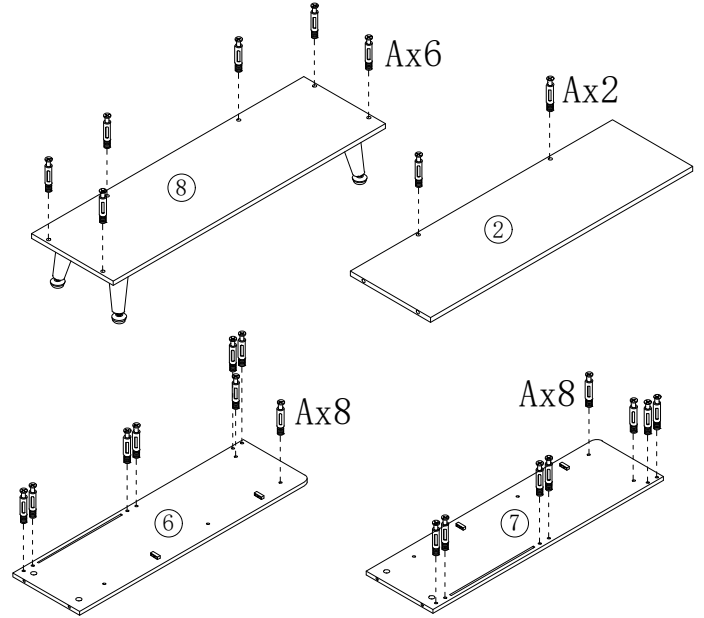


Step 4

A 24PCS



M6*40

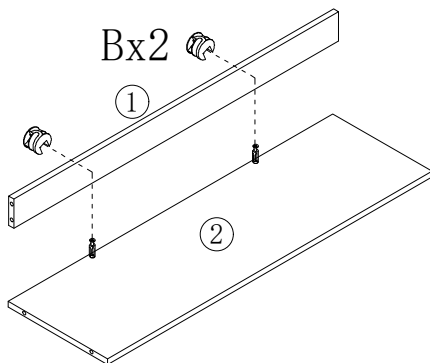


Step 5

B 2PCS



Ø15*9.5

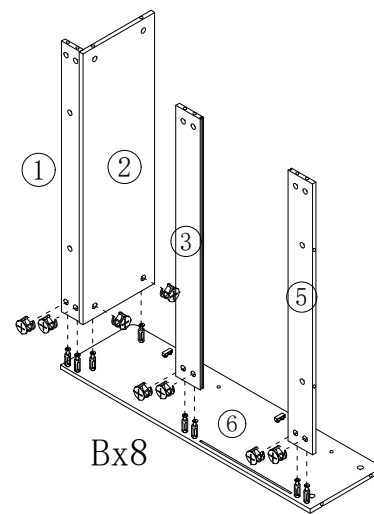


Step 6

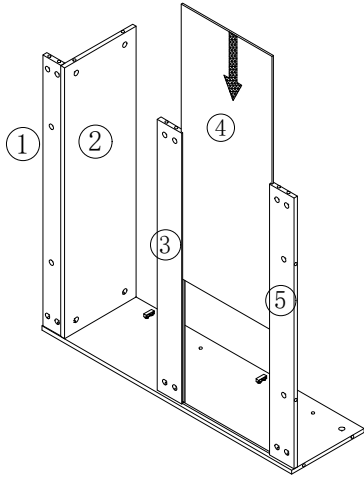
B 8PCS




Ø15*9.5

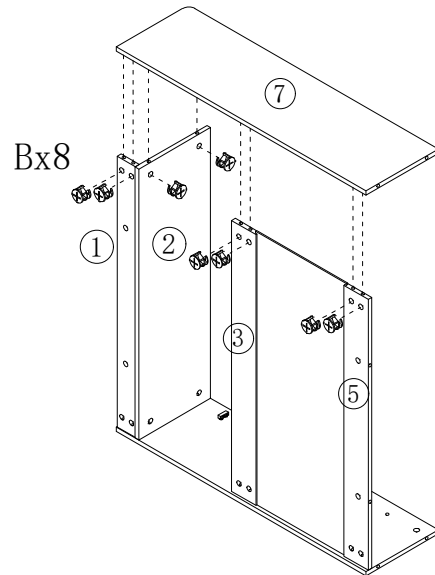


Step 7




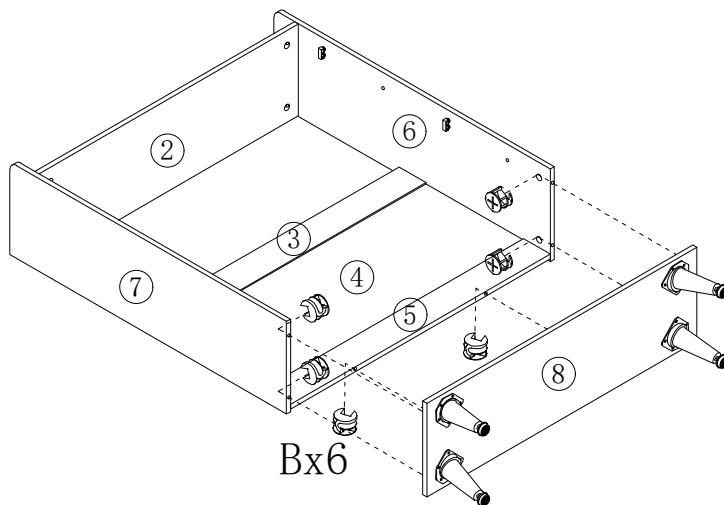
Step 8

B 8PCS

Ø15*9.5



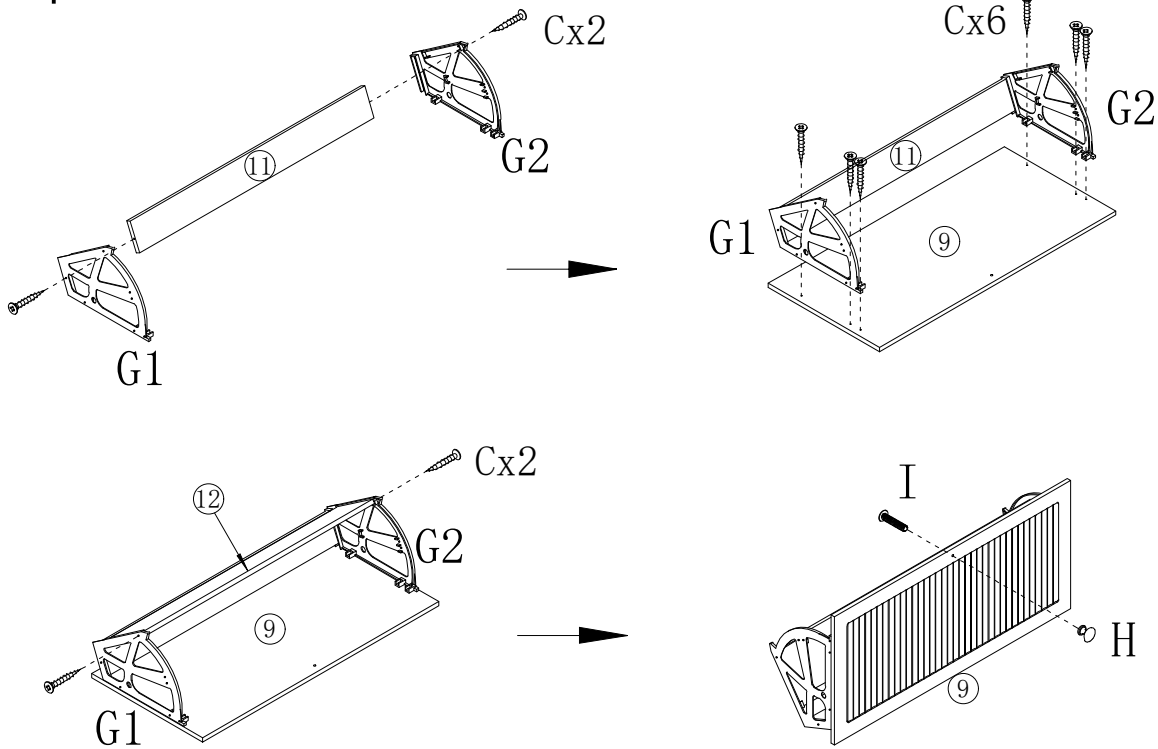
Step 9



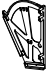


B 6PCS

Ø15*9.5



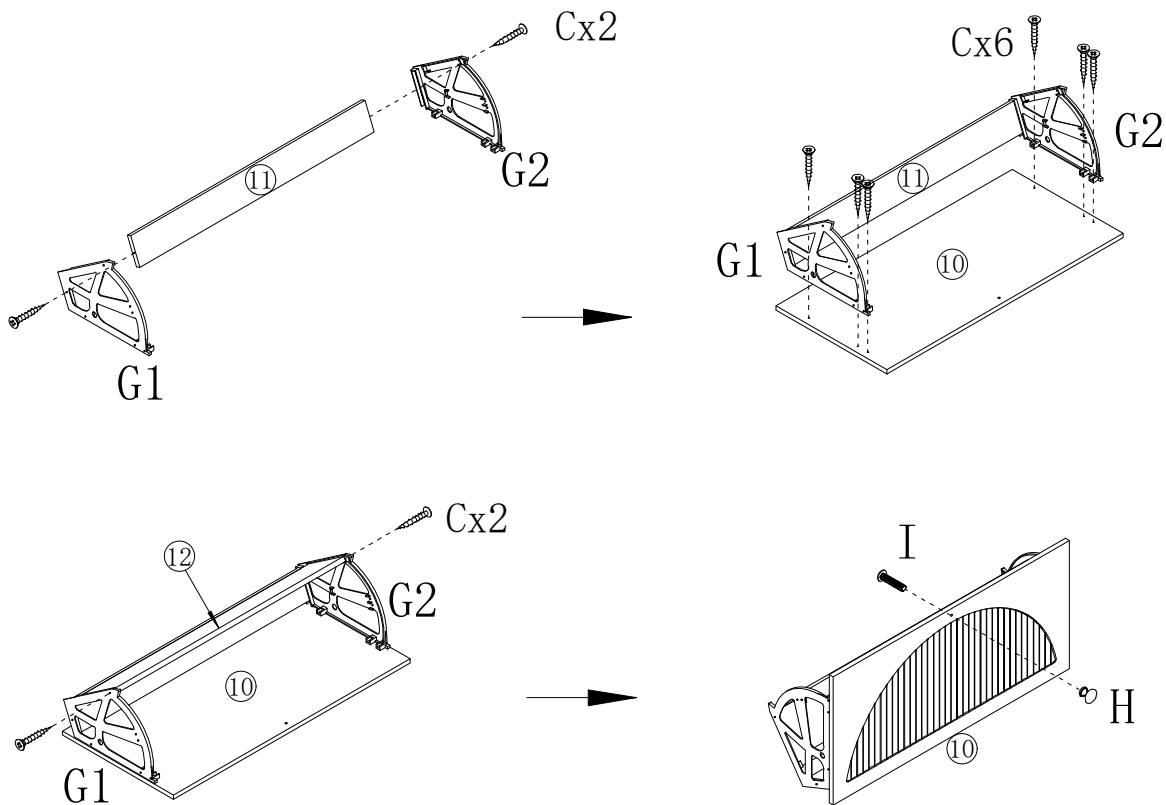
ASSEMBLY INSTRUCTION

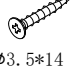




Step 10



C	10PCS
 $\phi 3.5 \times 14$	
G1	1PC
	
G2	1PC
	
H	1PC
	
I	1PC
 M4*18	

Step 11



C	10PCS
 $\phi 3.5 \times 14$	
G1	1PC
	
G2	1PC
	
H	1PC
	
I	1PC
 M4*18	

ASSEMBLY INSTRUCTION

Step 12

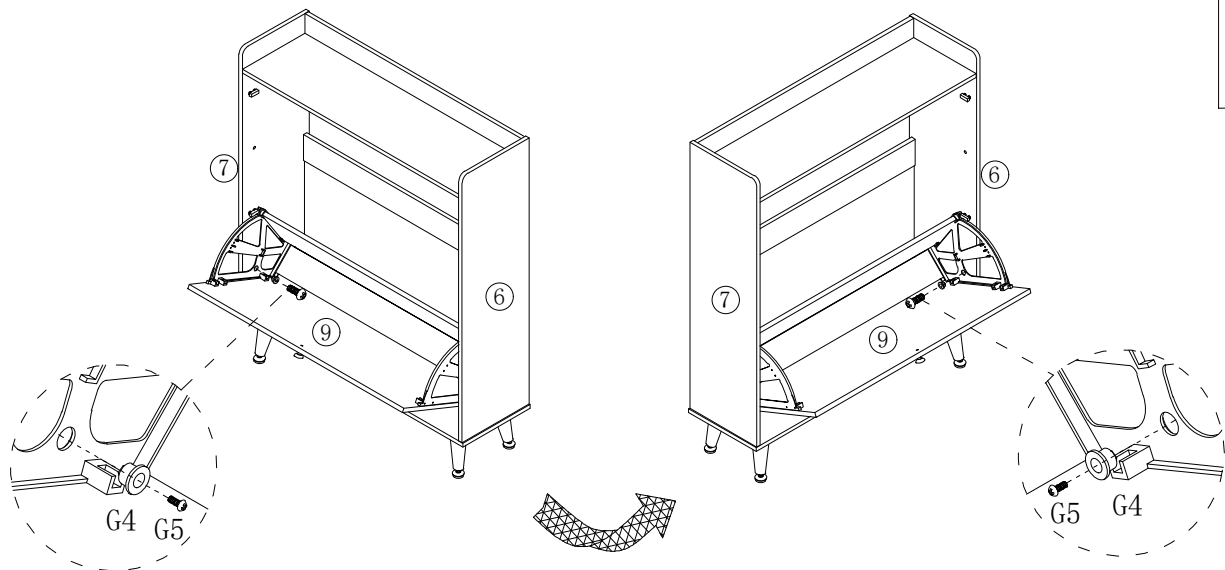
G4 2PCS



G5 2PCS



M4*12



Step 13

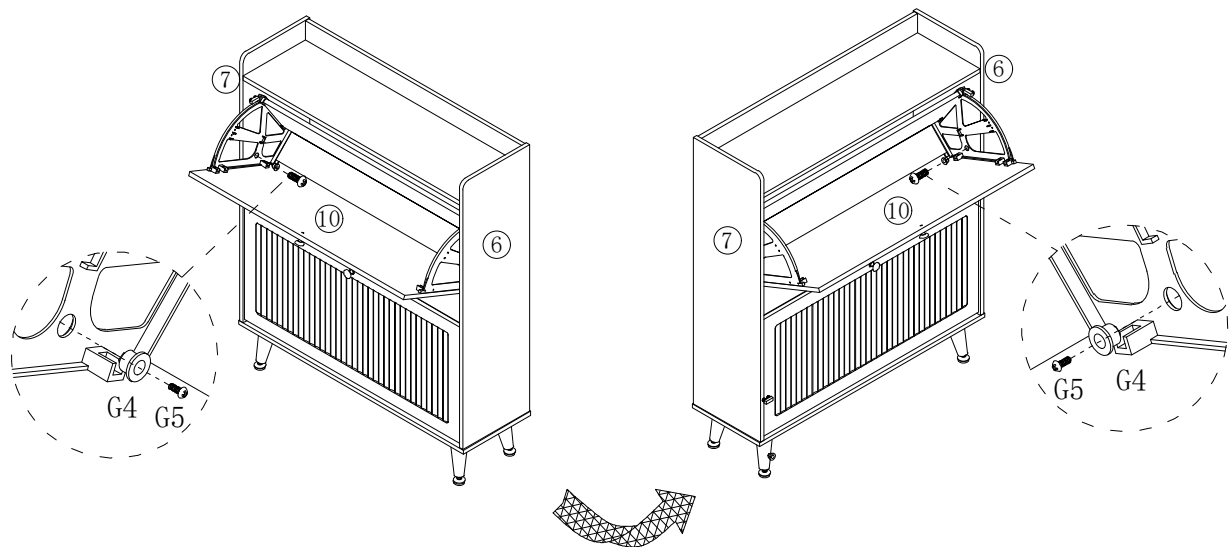
G4 2PCS



G5 2PCS

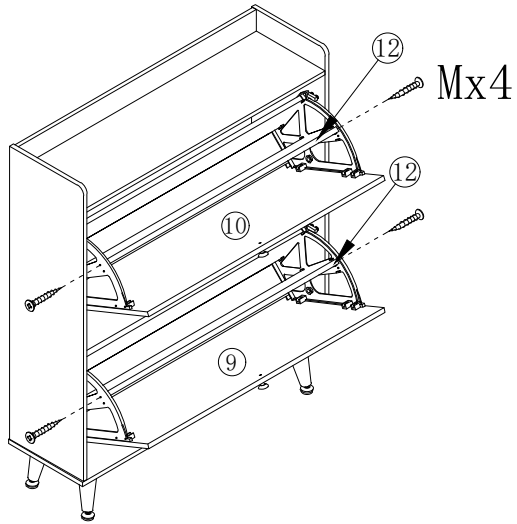
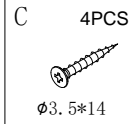


M4*12

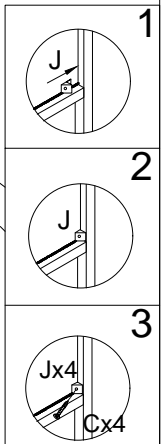
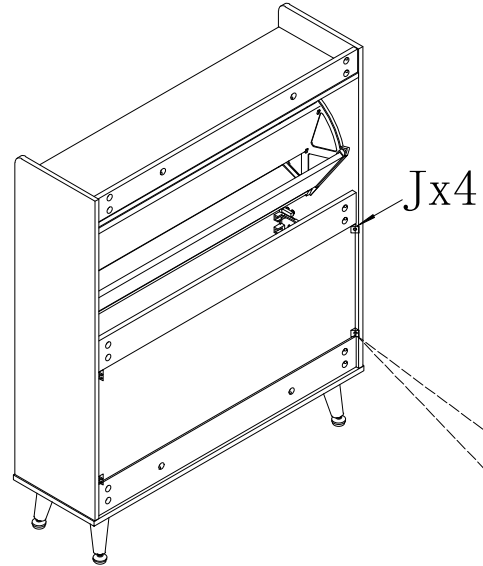
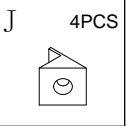
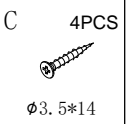


ASSEMBLY INSTRUCTION

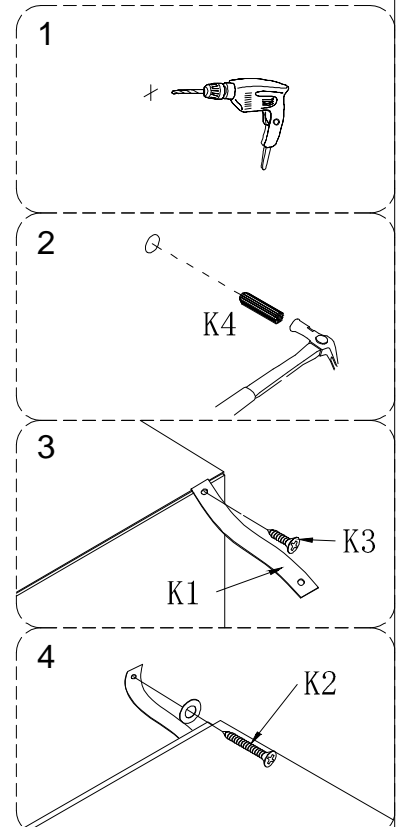
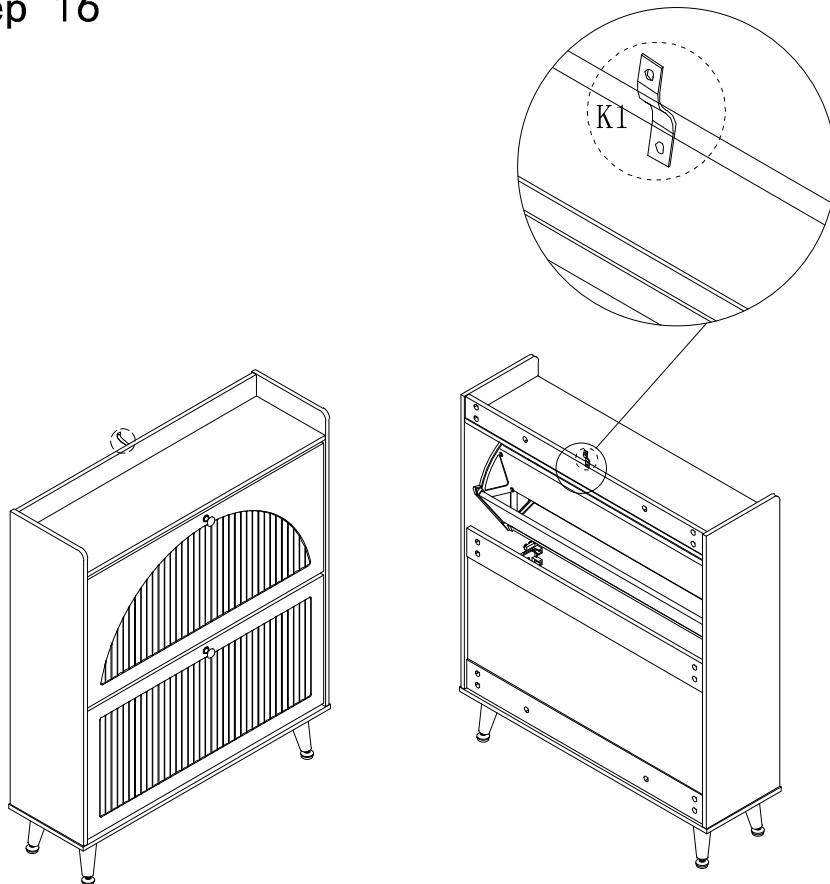
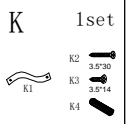
Step 14



Step 15



Step 16



OK