

Bench





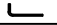
ASSEMBLY INSTRUCTIONS

Read this instruction carefully. See hardware and furniture part list for guidance. Be sure all parts are complete, before you assemble. Place all wooden furniture parts on a clean and flat soft surface to prevent from being scratched. Follow the figure to start assembling.

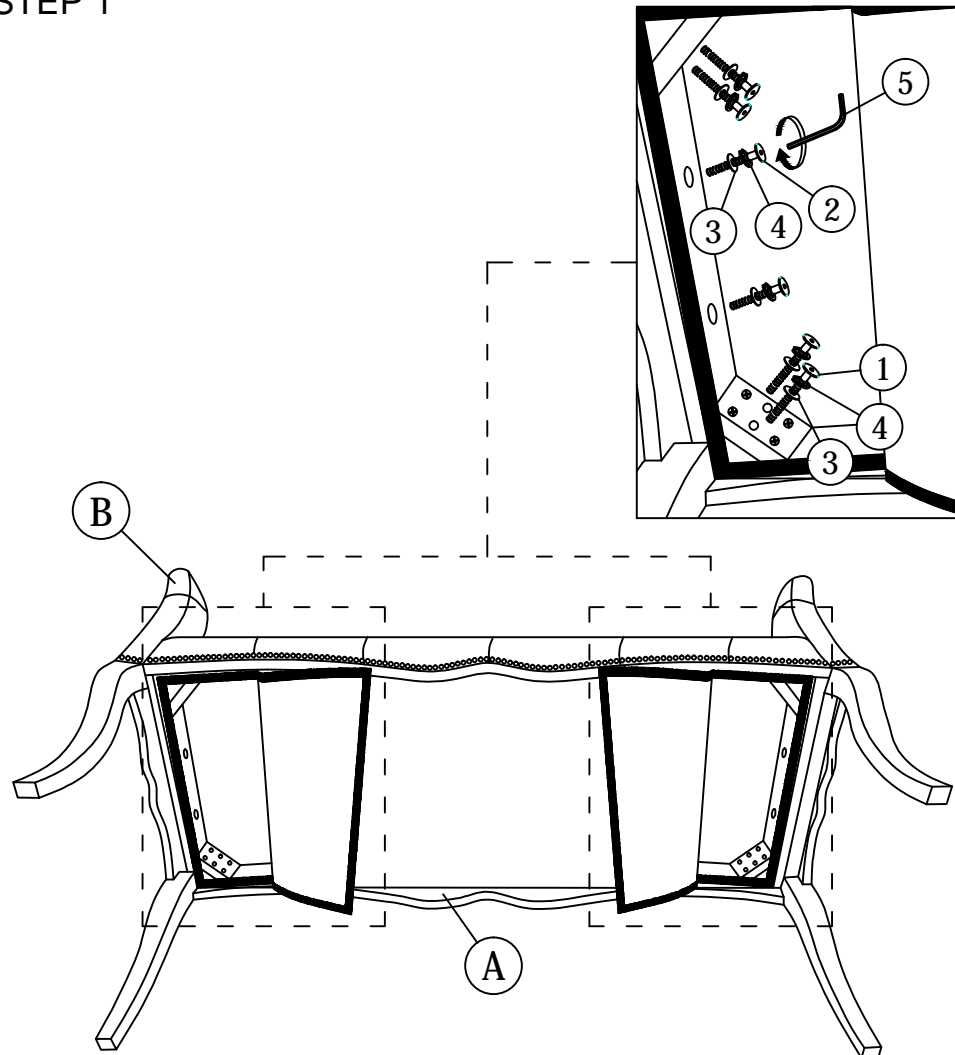
- CAUTIONS :**
1. Do not FULLY - TIGHTEN the nut or nut bolt until all nut or bolt is ready assembled.
 2. Do not OVER - TIGHTEN the nut or bolt to avoid causing damages to the thread.
 3. Keep all hardware parts out of reach of children.

NOTE : THE LIST AND QUANTITY SHOWN ARE FOR 1 UNIT ASSEMBLY.

PART LIST		
ITEM	DESCRIPTION	QTY
A	BENCH	1 PC
B	LEG	2 PCS

PART LIST		
ITEM	DESCRIPTION	QTY
1	JCBC BOLT M6 x 80mm 	8 PCS
2	JCBC BOLT M6 x 45mm 	4 PCS
3	M6 FLAT WASHER 	12 PCS
4	M6 SPRING WASHER 	12 PCS
5	M4 ALLEN LEY (BALL SHAPE) 	1 PC

STEP 1



STEP 2

