

# INSTALLATION INSTRUCTIONS

# HERITAGE 1.6 GPF ONE-PIECE TOILET 2071.016

Thank you for selecting American Standard - the benchmark of fine quality for over 100 years. To ensure this product is installed properly, please read these instructions carefully before you begin. (Certain installations may require professional help.) Also be sure your installation conforms to local codes.

**CAUTION: PRODUCT IS FRAGILE. TO AVOID BREAKAGE AND POSSIBLE INJURY HANDLE WITH CARE!**

NOTE: Pictures may not exactly define contour of china and components.

## RECOMMENDED TOOLS AND MATERIALS

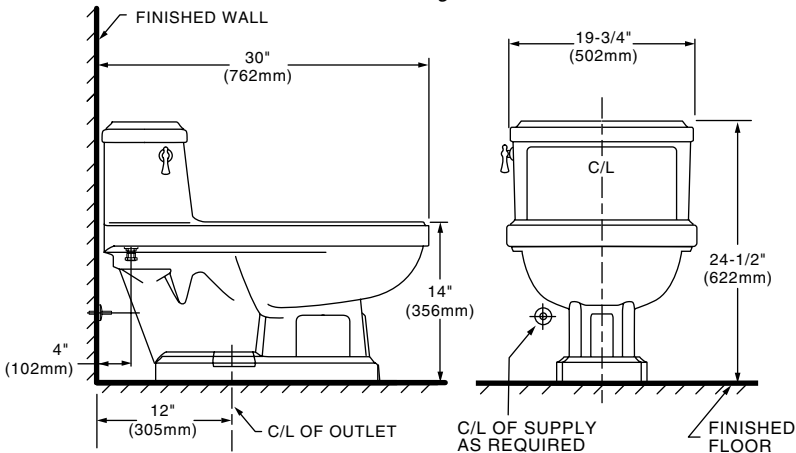
Putty Knife	Regular Screwdriver	Adjustable Wrench	Sealant	Tape Measure
Hacksaw	Wax Ring/Gasket	Flexible Supply Tube	Closet Bolts	Carpenters Level

### 1 REMOVE OLD TOILET

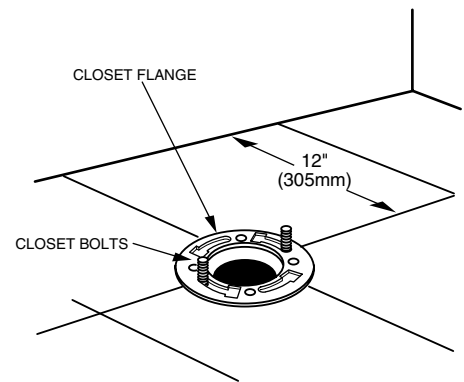
- Close toilet supply valve and flush tank completely. Towel or sponge remaining water from tank and bowl.
  - Disconnect and remove supply line. NOTE: *If replacing valve, first shut off main water supply!*
  - Remove old mounting hardware, remove toilet and plug floor waste opening to prevent escaping sewer gases.
  - Remove closet bolts from flange and clean away old wax, putty, etc. from base area.
- NOTE: Mounting surface must be clean and level **before** new toilet is installed!

### 2 ROUGHING-IN DIMENSIONS:

NOTE: Distance from wall to closet flange centerline must be as listed below:



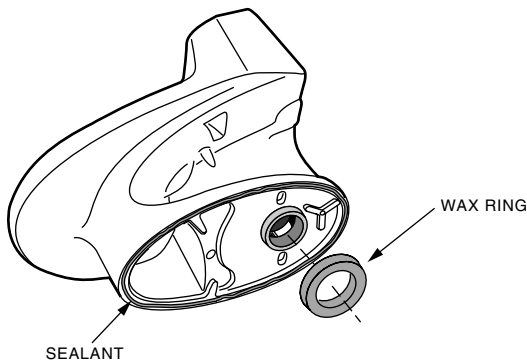
### 3



#### INSTALL CLOSET BOLTS

Install closet bolts in flange channel, turn 90°, and slide into place 6" (152 mm) apart and parallel to wall.

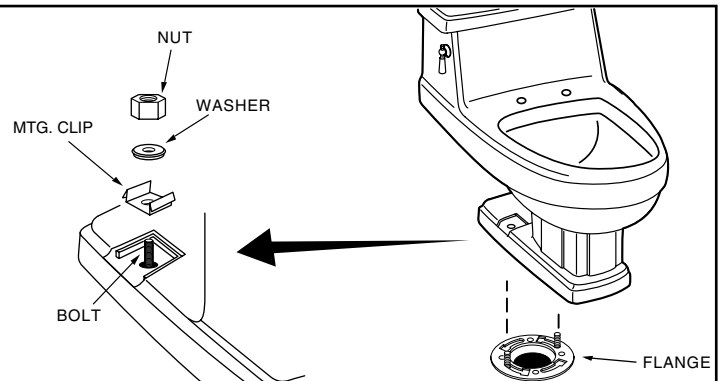
### 4



#### INSTALL WAX SEAL

Invert toilet on floor (cushion to prevent damage), and install wax ring evenly around waste flange (horn), with tapered end of ring facing toilet. Apply a thin bead of sealant around toilet base.

### 5



#### POSITION TOILET ON FLANGE

- Unplug floor waste opening and install toilet on closet flange so bolts project through mounting holes.
- Loosely install retainer washers and nuts. Side of washers marked "THIS SIDE UP" must face up!

American Standard

Ideal Standard

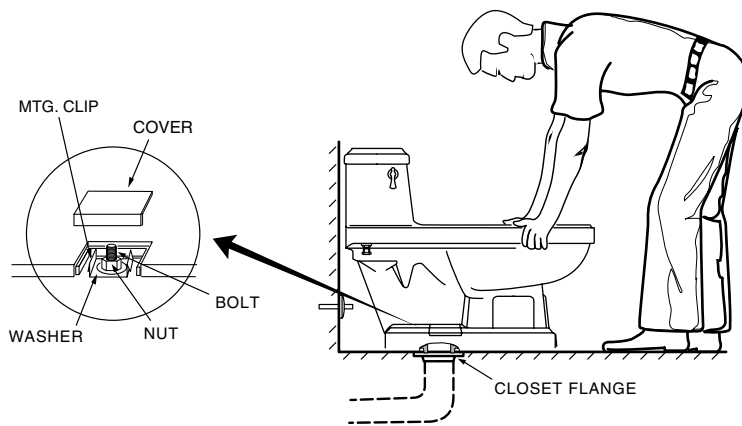
Incesa Standard

Sadona Standard

Cedelea

Saniwares

SAVE FOR FUTURE USE



### INSTALL TOILET

- Position toilet squarely to wall and, with a rocking motion, press bowl down fully on wax ring and flange. Alternately tighten nuts until toilet is firmly seated on floor.



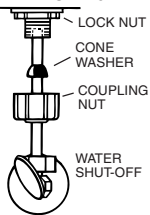
**CAUTION:**  
DO NOT OVERTIGHTEN NUTS  
OR BASE MAY BE DAMAGED!

- Install caps on washers. (If necessary, cut bolt height to size before installing caps.)
- Smooth off the bead of sealant around base. Remove excess sealant.

**INSTALL TOILET SEAT** Install toilet seat in accordance with manufacturer's directions.

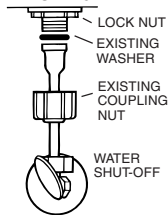
Before continuing, determine the type of water supply connection you have from the chart below and use the appropriate assembly parts required to properly reconnect the water supply. **DO NOT** use plumber's putty to seal these fittings.

#### METAL/COPPER FLARED TUBING



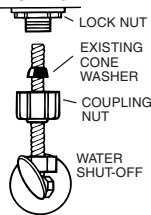
These parts must be used as illustrated to insure water-tight connection. Use of existing coupling nut may result in water leakage. Water supply tube or pipe must extend at least 1/2" inside threaded shank of valve (does not apply to flanged tubing).

#### METAL FLANGED TUBING



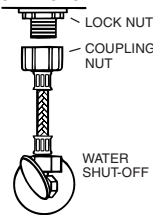
Use existing coupling nut and washer.

#### METAL SPIRAL TUBING



Use existing spiral cone washer. Fluidmaster cone washer may not seal completely on spiral type supply line.

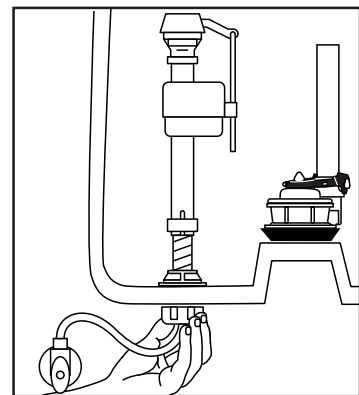
#### VINYL/BRAIDED CONNECTOR



Captive cone washers already included. No additional washers needed.

**CAUTION: DO NOT USE CONE WASHER WITH PLASTIC SUPPLY LINE.**

**CAUTION: Overtightening of LOCK NUT or COUPLING NUT could result in breakage and potential flooding.**



With correct washers in place (see Step 8a), tighten **COUPLING NUT** 1/4 turn beyond hand tight. **DO NOT OVERTIGHTEN.**

9

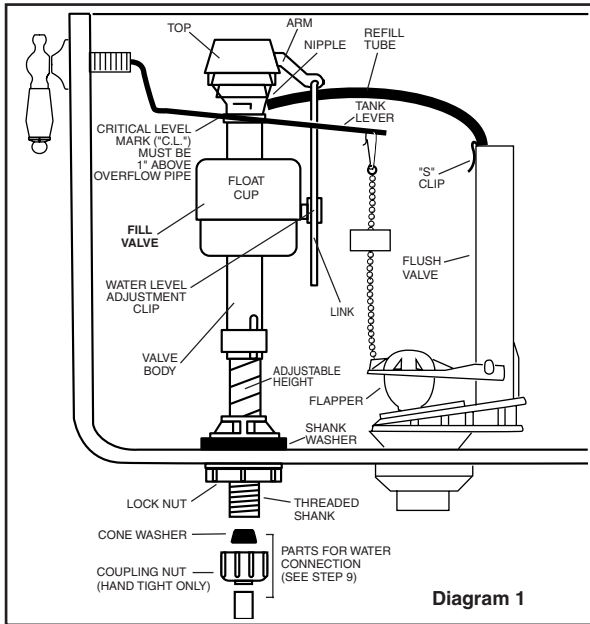
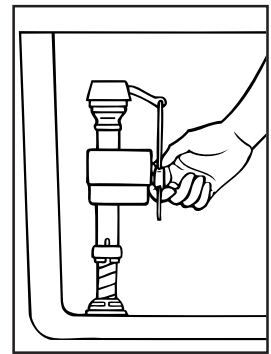


Diagram 1

10

**ADJUSTMENTS**

- a. Adjust water level. Water level should be adjusted to level indicated on tank by adjusting float cup.
- See Step 10 for water level adjustment method
- b. If bowl fails to siphon, an adjustment may be required with the lift chain. Simply remove the bead chain from the retainment clip and take up slack on the chain, and reinsert on lift rod. Make sure the chain is not too taut.

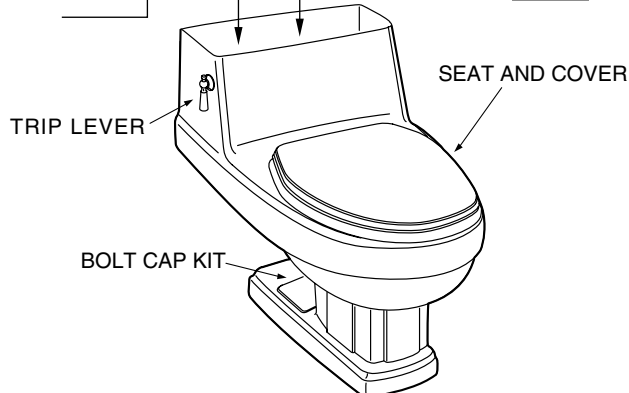
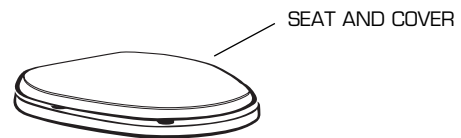
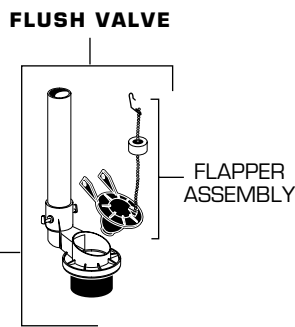
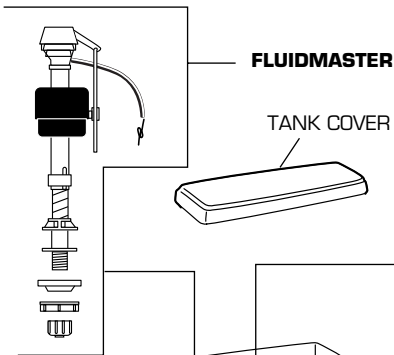


Turn on water supply. Adjust water to desired level by squeezing water level adjustment clip and moving FLOAT CUP up or down along stainless steel link.

**11 CARE AND CLEANING**

When cleaning your toilet, wash it with mild, soapy water, rinse thoroughly with clear water and dry with a soft cloth. Avoid detergents, disinfectants, or cleaning products in aerosol cans. NEVER use abrasive scouring powders or abrasive pads on your toilet seat. Some bathroom chemicals and cosmetics may damage the seat's finish.

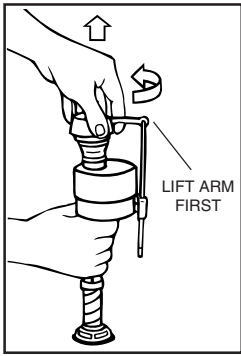
**WARNING:** Do not use in-tank cleaners. Products containing chlorine (calcium hypochlorite) can seriously damage fittings in the tank. This damage can cause leakage and property damage. American Standard shall not be responsible or liable for any tank fitting damage caused by the use of cleaners containing chlorine (calcium hypochlorite).



**HERITAGE REPAIR PARTS LIST**

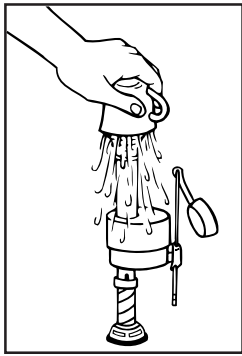
NOTE: "XXX" represents color options. Specify when ordering.

DESCRIPTION	COMPONENT	QTY
Tank Cover	735080-400.XXX	1
Seat and Cover - Elongated	5357.016.XXX	1
Bolt Cap Kit	736031-XXX0A	1
Trip Lever	730283-XXX0A	1
Water Control Assembly	738565-0070A	1
Flush Valve	738109-0070A	1
Flapper Assembly	738151-0070A	1

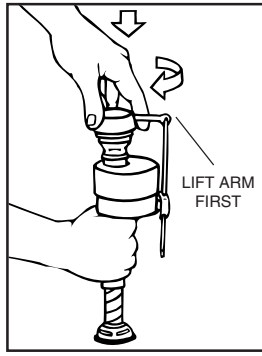


**IMPORTANT: Always clear sand and rust from system.**

- Make sure water supply is off. Remove valve TOP by lifting arm and rotating top and arm 1/8 turn counterclockwise, pressing down slightly on cap.



- While holding a container over the uncapped VALVE to prevent splashing, turn water supply on and off a few times. Leave water supply off.



- Replace TOP by engaging lugs and rotating 1/8 turn clockwise. **MAKE CERTAIN TIP IS TURNED TO THE LOCKED POSITION. VALVE MAY NOT TURN ON IF TOP IS NOT FULLY TURNED TO THE LOCKED POSITION.**

**TROUBLESHOOTING**

**IF FILL VALVE SHUTS OFF BUT CONTINUES TO LEAK SLOWLY**, repeat Step 12.

**IF FILL VALVE TURNS OFF AND ON DURING PERIODS OF NON-USE**, it is a signal you are wasting water because:

- The end of the refill tube is inserted into overflow pipe, below water level in tank. Attach refill tube to overflow pipe using "S" clip provided.
- The flush valve is leaking because it's worn, dirty or misaligned with tank ball or flapper (replace with a new flapper).

**IF FILL VALVE WON'T TURN ON OR SHUT OFF or REFILL OF TANK WATER IS SLOW after valve has been in use for some time**, Fluidmaster Model 242 Replacement Seal may be needed.

Go to our website at [www.fluidmaster.com](http://www.fluidmaster.com) for more solutions to toilet problems.

For troubleshooting information please contact:



30800 Rancho Viejo Road  
San Juan Capistrano, CA 92675  
(949) 728-2000 (800) 631-2011  
[www.fluidmaster.com](http://www.fluidmaster.com)

© 2001 Fluidmaster, Inc.  
® Registered trademark of Fluidmaster, Inc.

**GUARANTEE:** This Fluidmaster product is guaranteed to be free from defective materials and workmanship for a period of one year. Units returned to Fluidmaster will be replaced without charge.

Always use quality Fluidmaster repair parts when maintaining your Fluidmaster products. Fluidmaster shall not be responsible or liable for any damages caused by products used with Fluidmaster valves that were not manufactured by Fluidmaster, Inc.

**TROUBLESHOOTING GUIDE**

PROBLEM	POSSIBLE CAUSE	CORRECTIVE ACTION
Does not flush	a. Water supply valve closed.	a. Open valve and allow water to fill tank.
	b. Supply line blocked.	b. Shut off water supply, disconnect supply line, and inspect all gaskets and washers. Reassemble. Also, see Fluidmaster maintenance (see step 12).
	c. Flush valve chain too loose or disconnected.	c. Readjust chain length as required.
	d. Sand or debris lodged in water control.	d. Shut off water supply. Remove cap and clean per Step 12.
Poor or sluggish flush	a. Bowl water level too low.	a. Check that refill tube is connected to water control and inserted into tank overflow without being kinked or damaged.
	b. Supply valve partly closed.	b. Open supply valve fully. Be sure that proper supply tube size is used.
	c. Partially clogged trapway and/or drain pipe and/or vent.	c. Remove obstruction. Consult a plumber if necessary.
	d. Supply pressure too low.	d. Normal supply pressure must be at least 20 psi.
Toilet leaks	a. Poor supply line connection.	a. Review Step 8 of installation procedure.
Toilet does not shut off	a. Flush valve chain too tight, holding flush valve open.	a. Readjust chain length as needed. Review step 9.
	b. Flush valve seat and/or flapper worn or deformed.	b. Replace flapper/flush valve assembly, as needed.
	c. Sand or debris lodged in water control.	c. Shut off water supply. Remove cap and clean per Step 12.

**AMERICAN-STANDARD ONE-YEAR LIMITED WARRANTY**

If inspection of this American-Standard plumbing product, within one year after its initial purchase, confirms that it is defective in materials or workmanship, American-Standard will repair or, at its option, exchange the product for a similar model.

This warranty **does not apply** to local building code compliance. Since local building codes vary considerably, the purchaser of this product should check with a local building or plumbing contractor to insure local code compliance before installation.

This warranty **shall be void** if the product has been moved from its initial place of installation; if it has been subjected to faulty maintenance, abuse, misuse, accident or other damage; if it was not installed in accordance with American-Standard's instructions; or if it has been modified in a manner inconsistent with the product as shipped by American-Standard.

American-Standard's option to repair or exchange the product under this warranty does not cover any labor or other costs of removal or installation, **nor shall American-Standard be responsible for any other incidental or consequential damages attributable to a product defect or to the repair or exchange of a defective product, all of which are expressly excluded from this warranty.** (Some states or provinces do not allow the exclusion or limitation of implied warranties, so this exclusion may not apply to you.)

This warranty gives you specific legal rights. You may have other statutory rights that vary from state to state or from province to province, in which case this warranty does not affect such statutory rights.

For service under this warranty, it is suggested that a claim be made through the contractor or dealer from or through whom the product was purchased, or that a service request (including a description of the product model and of the defect) be sent to the following address:

**In the United States:**  
American Standard Inc.,  
P.O. Box 6820  
Piscataway, New Jersey 08855  
Attention: Director of Consumer Affairs

**In Canada:**  
American-Standard,  
2480 Stanfield Rd.,  
Mississauga, Ontario  
Canada L4Y 1S2

**In Mexico:**  
Customer Service Manager  
Ideal Standard, S.A. de C.V.  
Via Morelos #330  
Col. Santa Clara  
Ecatepec 55540 Edo. Mexico

For residents of the United States, warranty information may also be obtained by calling the following toll free number: (800) 442-1902

Toll Free: (800) 387-0369