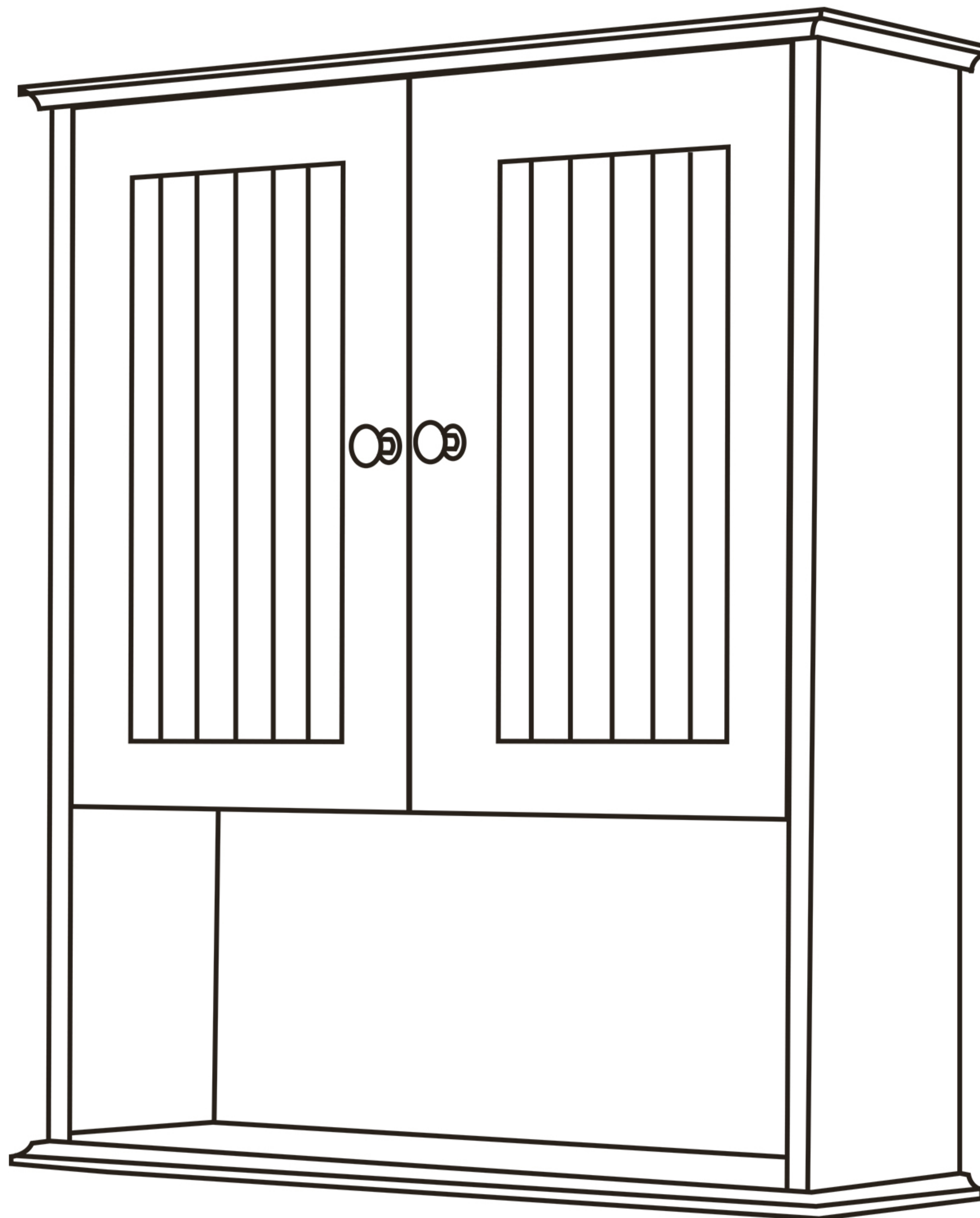


INSTALLATION MANUAL



SKU:M1C

Model:Y2108

If you have any questions or concerns, please contact us directly at email
contactus56service@gmail.com

Installation Manual

General Guidelines

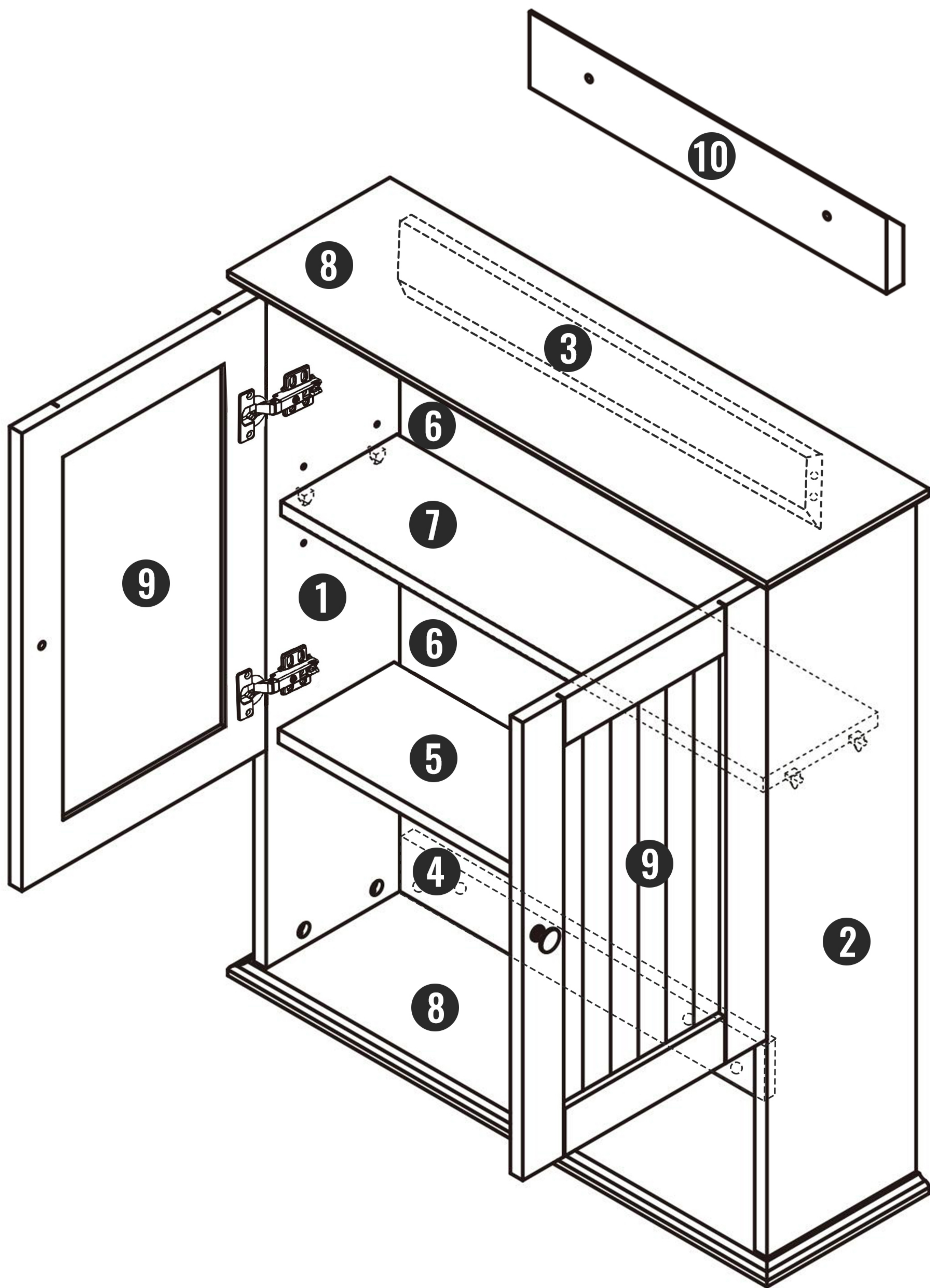
- Please read the following instructions carefully and use the product accordingly.
- Please keep this manual and hand it over when you transfer the product.
- This summary may not include every detail of all variations and considered steps. Please contact us when further information and help are needed

Notes:

- The product must be assembled and used by the provisions of the manual. The seller does not assume any responsibility or liability concerning any damage caused by incorrect assembly or improper use.
- It is recommended that assembly is undertaken by at least 2 adults and an electric drill is prepared to facilitate the assembly. Please read assembly instructions before assembly and strictly adhere to each step outlined.
- If there is/are defective and/or missing part/s after unpacking, please cease assembly immediately and get in contact with us.
- Please assemble the item in a spacious room and do not place the unwrapped product directly on the ground to avoid damage.
- Please be careful during the assembly to avoid scratches from any sharp edges.
- Please match the corresponding board and fitting based on the part number in the manual.
- If the board does not match with the fitting, please check the pieces as specified in this manual.
- Please refer to the diagram during assembly. Align and hand tighten all screws in their associated pre-drilled holes first before tightening each screw.
- Do not over tighten connectors (screws, bolts, etc). Over-tightening can lead to product damage.
- Periodically inspect screw tightness while the product is in use. If necessary, retighten to ensure structural integrity.

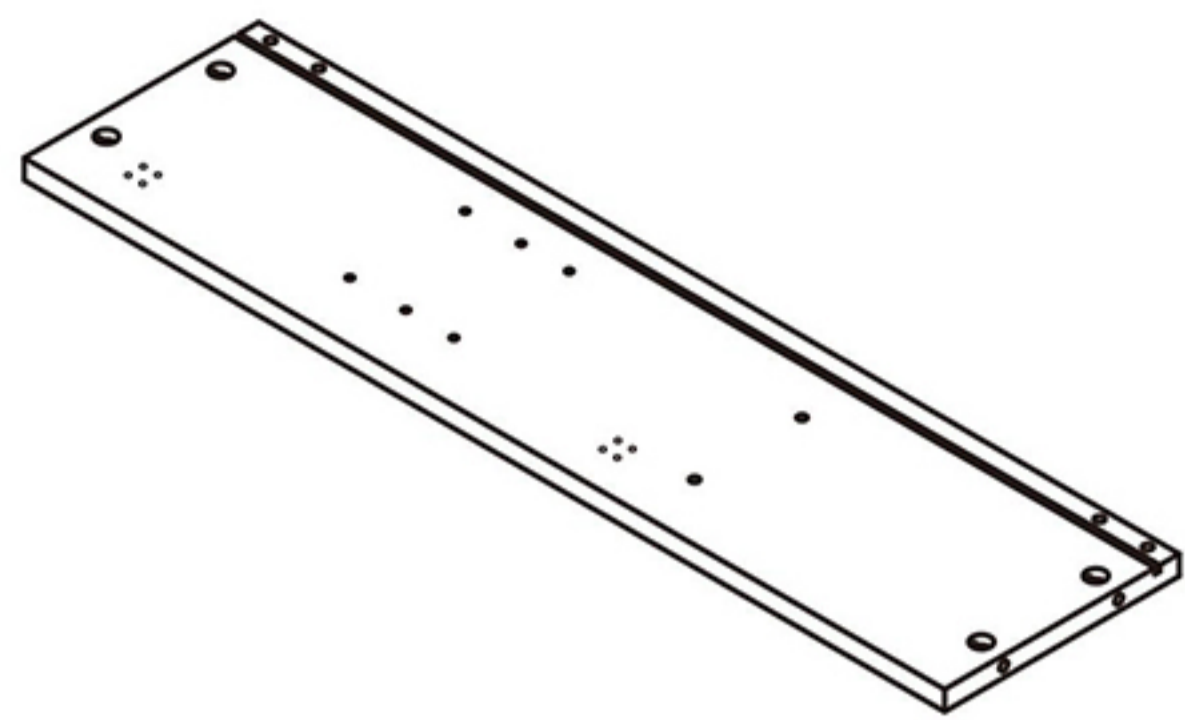
Warnings

- It is not intended for use by children under 3 years of age. Children must be under adult supervision to use the product.
- It is forbidden for children to climb or play on the product to avoid serious body injury caused by the toppling. During the assembly process, keep any small parts out of the reach of children. It may be fatal if swallowed or inhaled.
- To avoid the potential dangers of suffocation, please keep all parts and packaging (films, plastic bags and foam, etc.) away from babies and children.

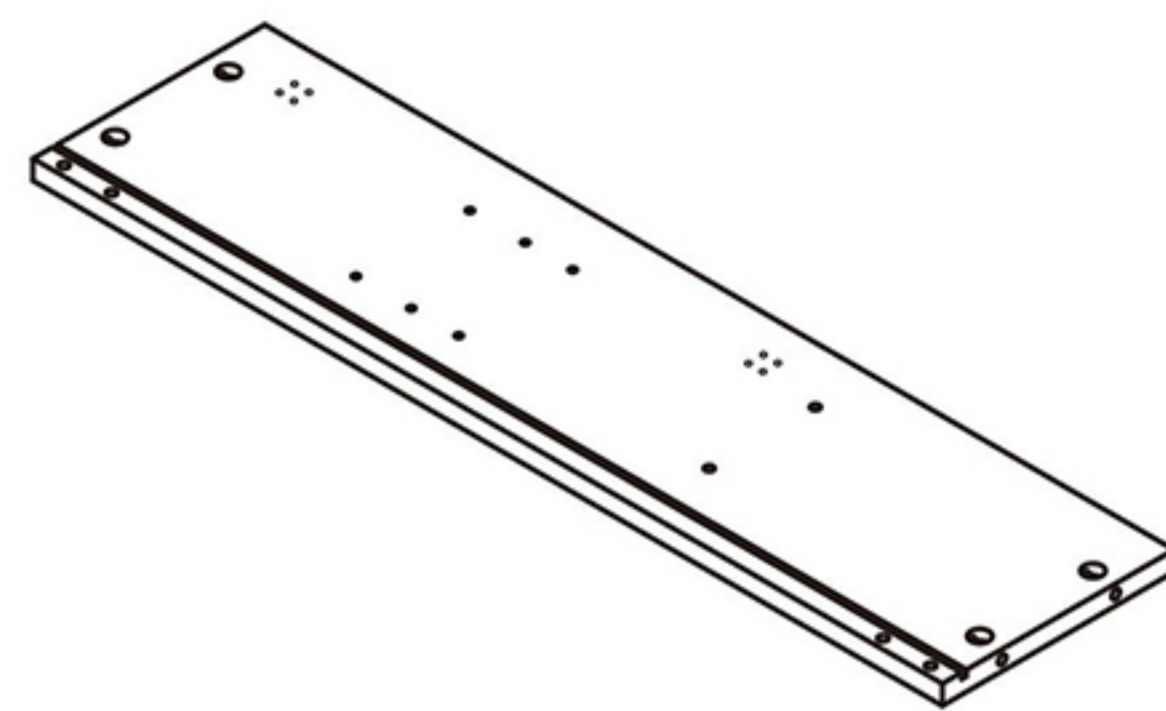


Packing Lists

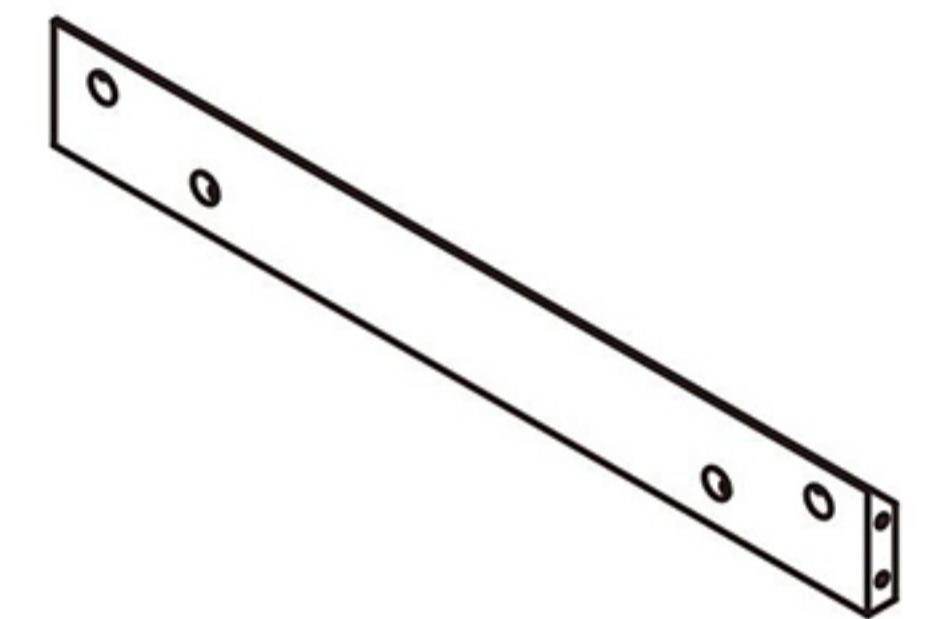
Be sure to check all packing materials carefully for small parts that may have come loose inside the carton during shipment. If parts are missing, contact us to obtain any missing parts.



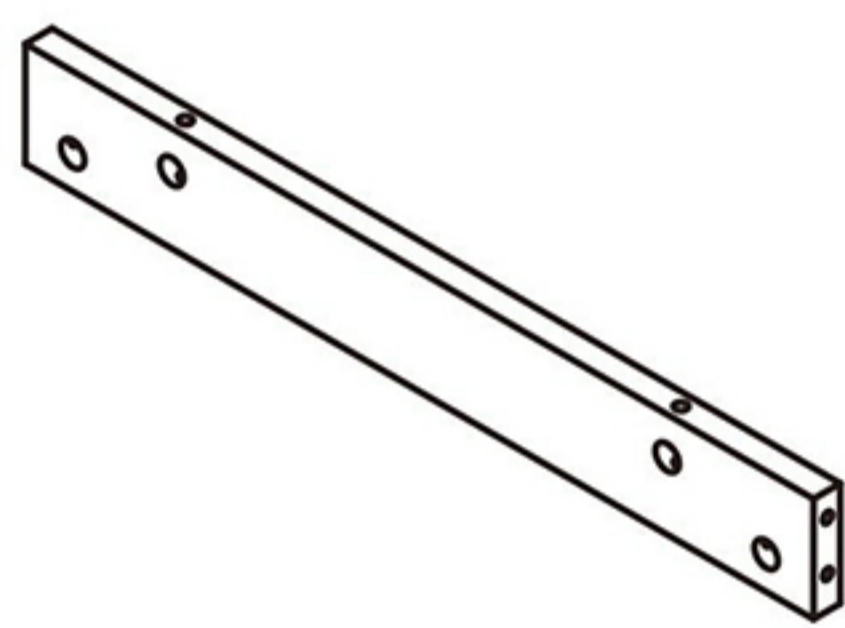
1 Right Side Panel *1



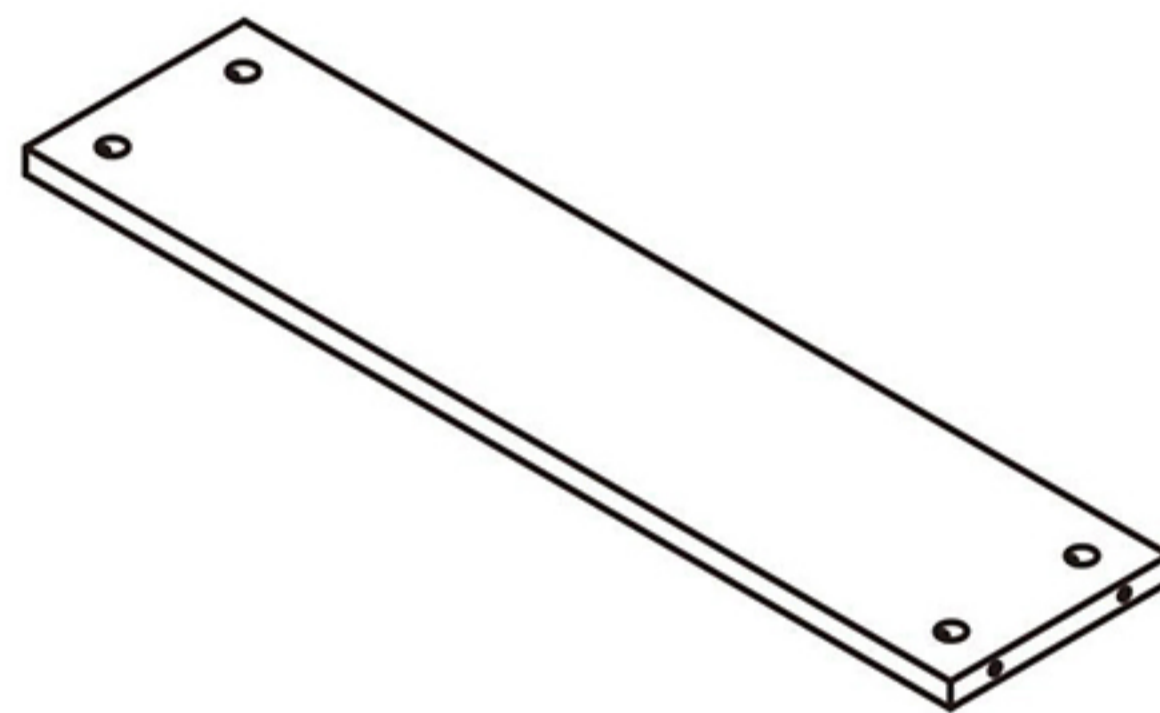
2 Left Side Panel *1



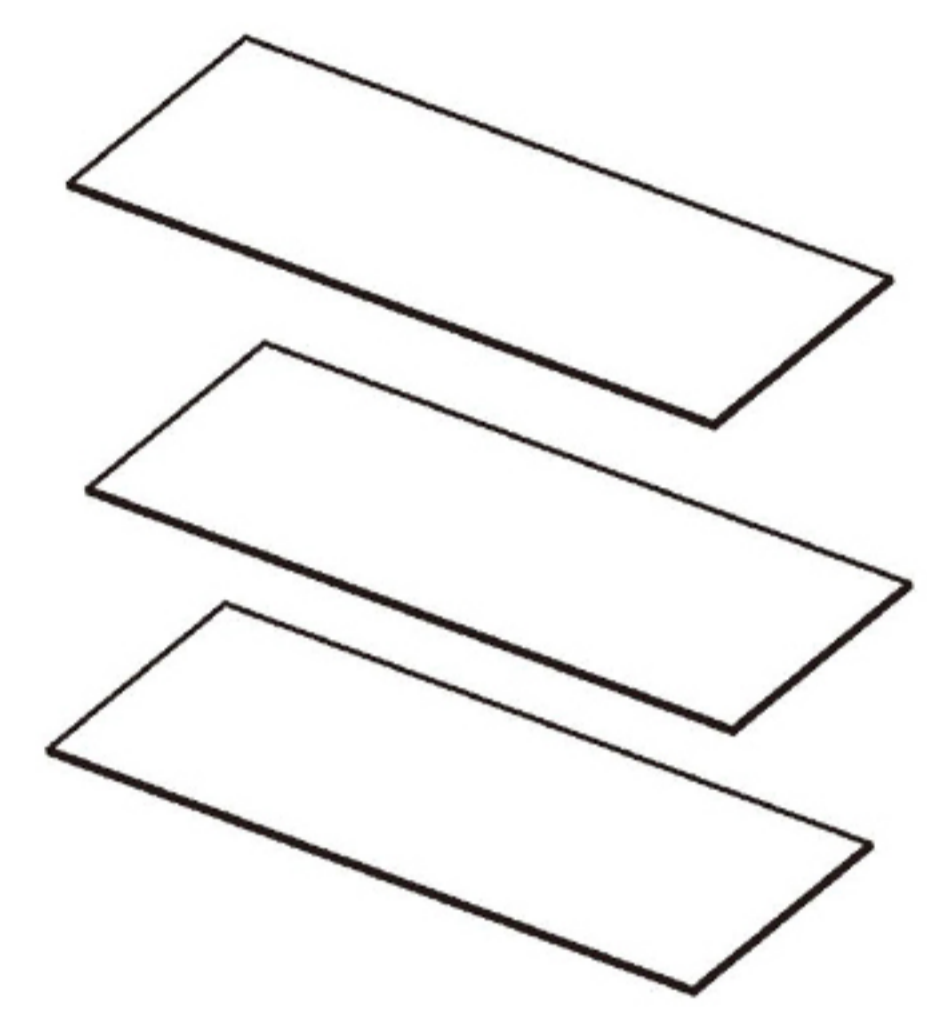
3 Upside Hanging Rail *1



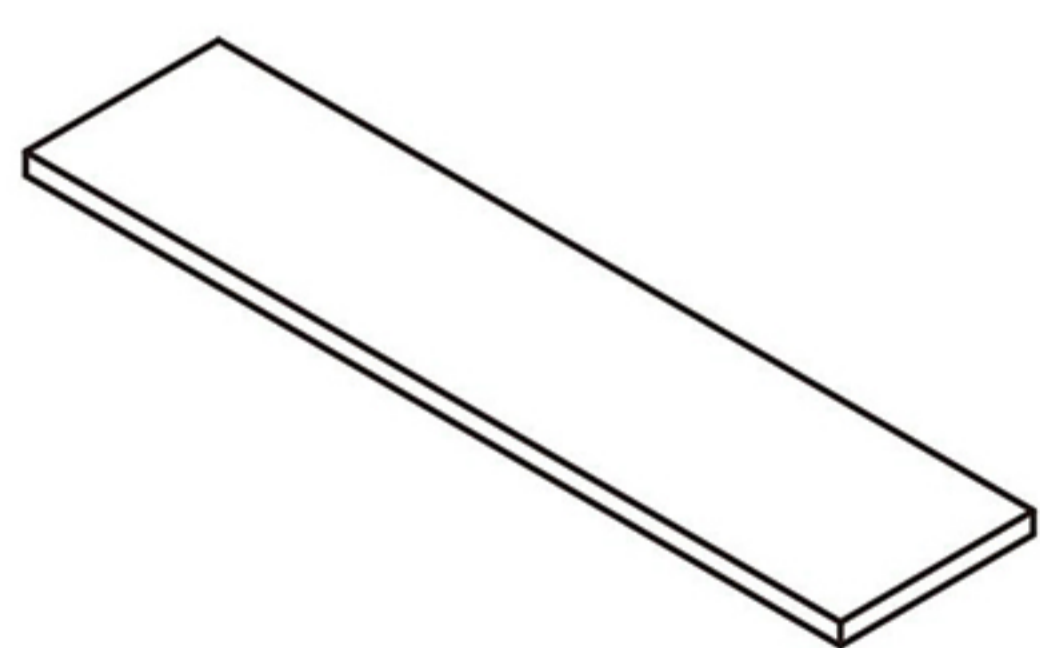
4 Underside Hanging Rail *1



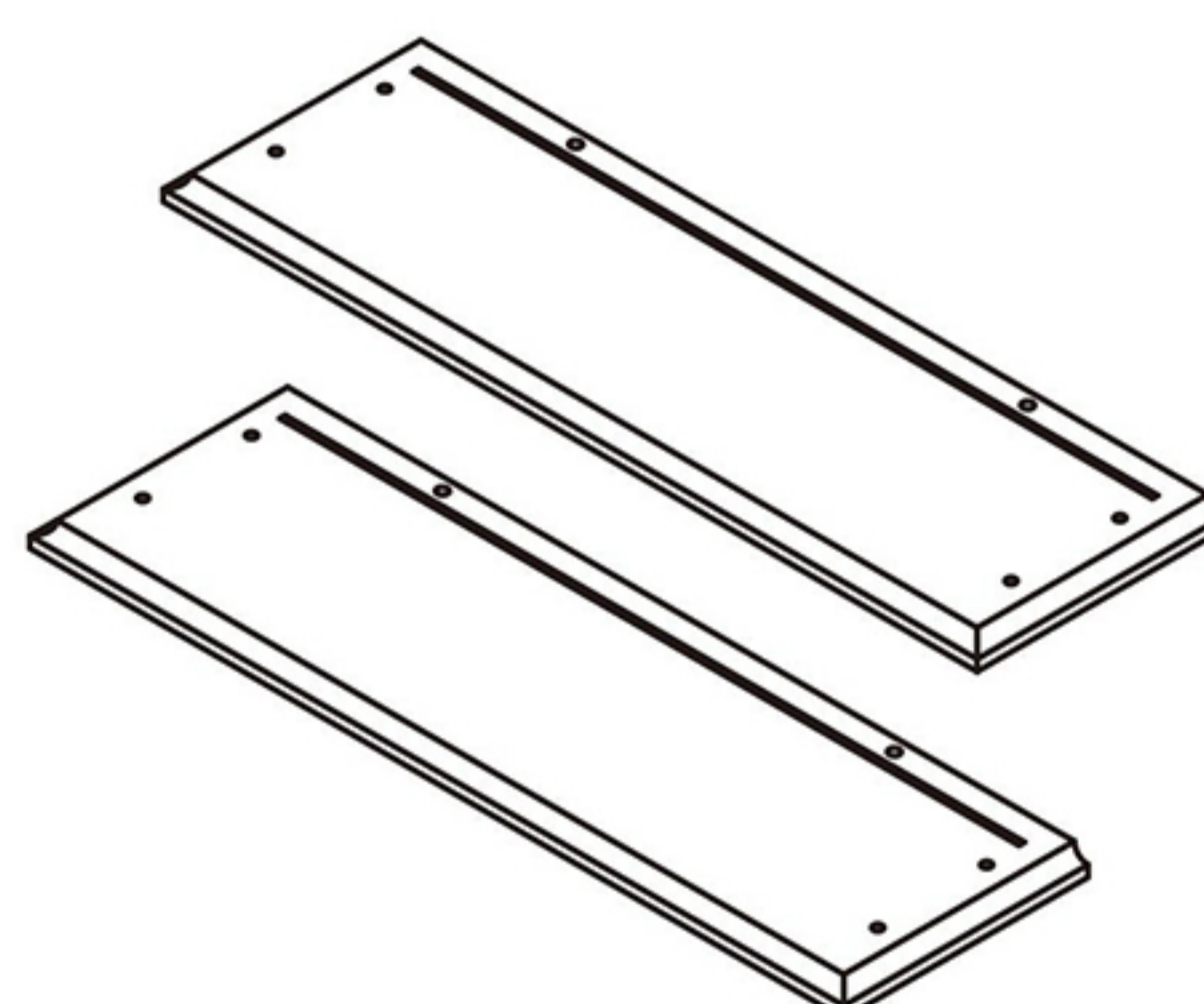
5 Fixed Shelf *1



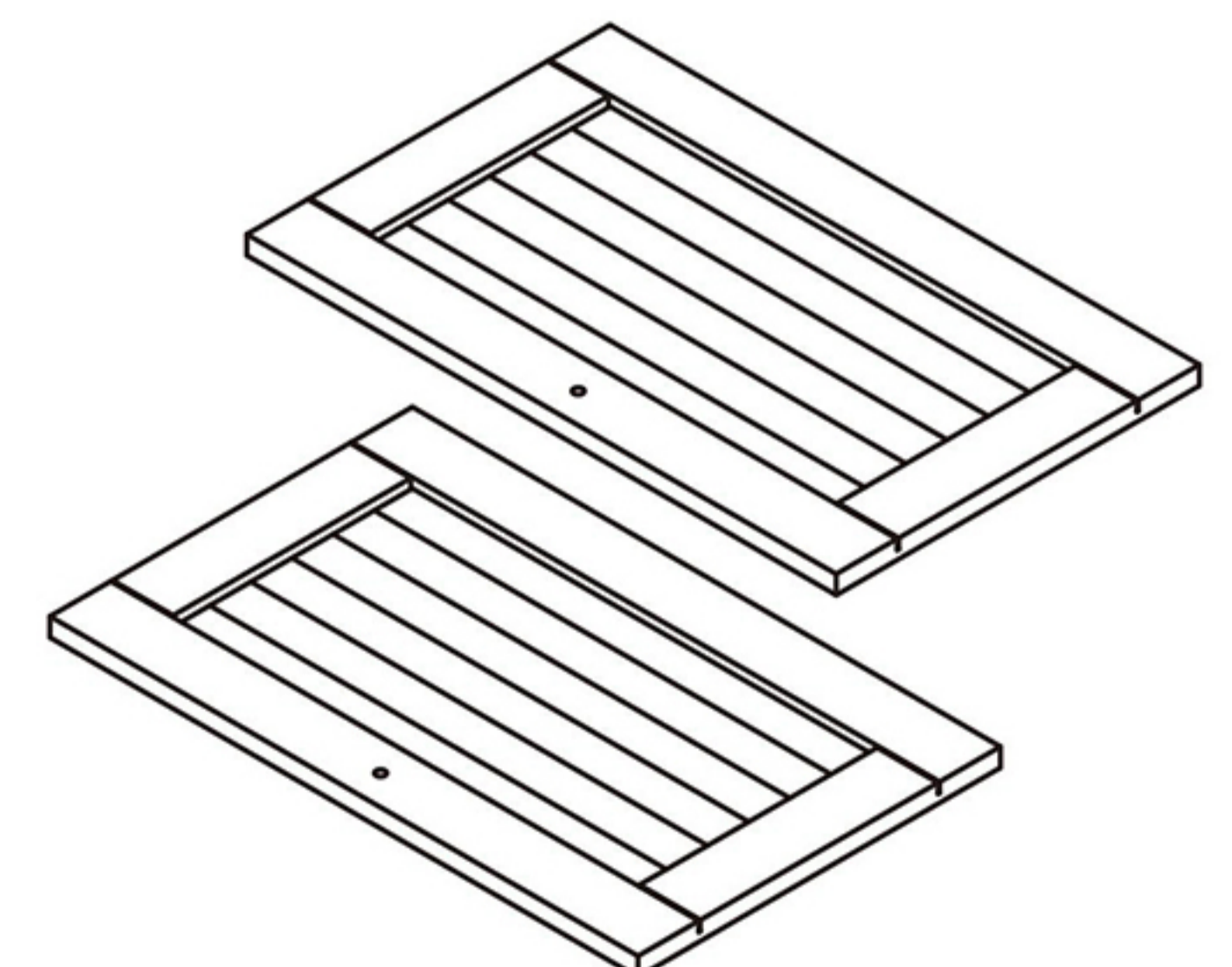
6 Back Panel *3



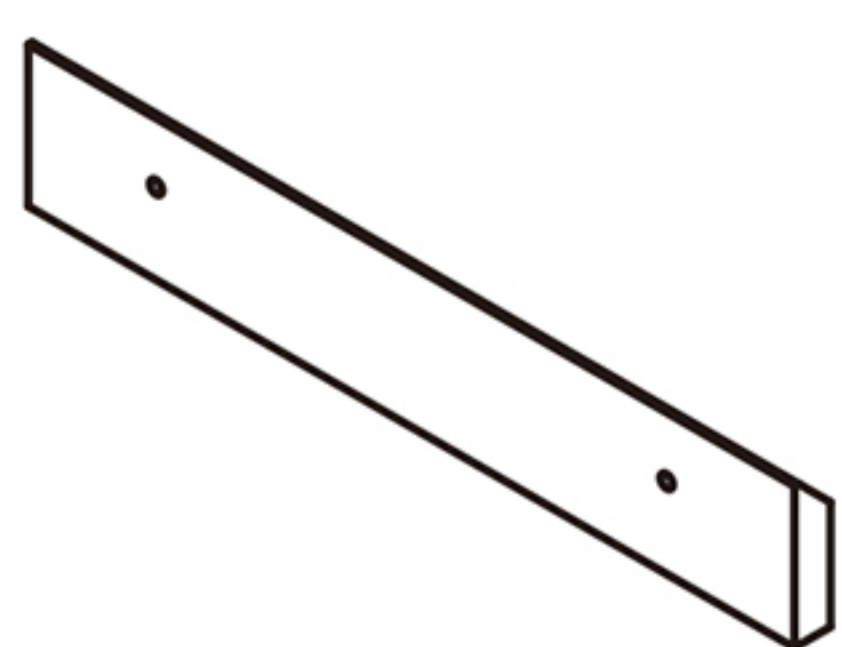
7 Adjustable Shelf *1



8 Top & Bottom Panel *2



9 Door Panel *2

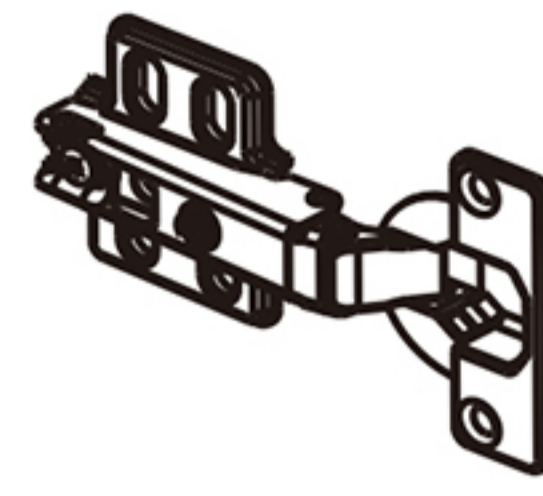


10 Wall Cleat *1

Accessories



a Two in one screw * 20



f Door hinge * 4



b Eccentric gear * 20



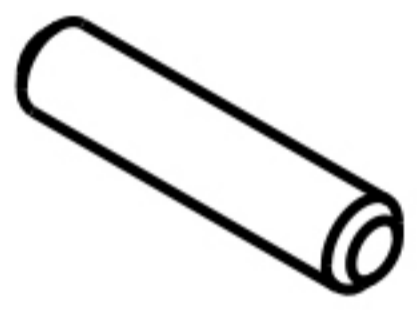
g Handle * 2



d Tapping screw * 24



h Expansion screw * 2

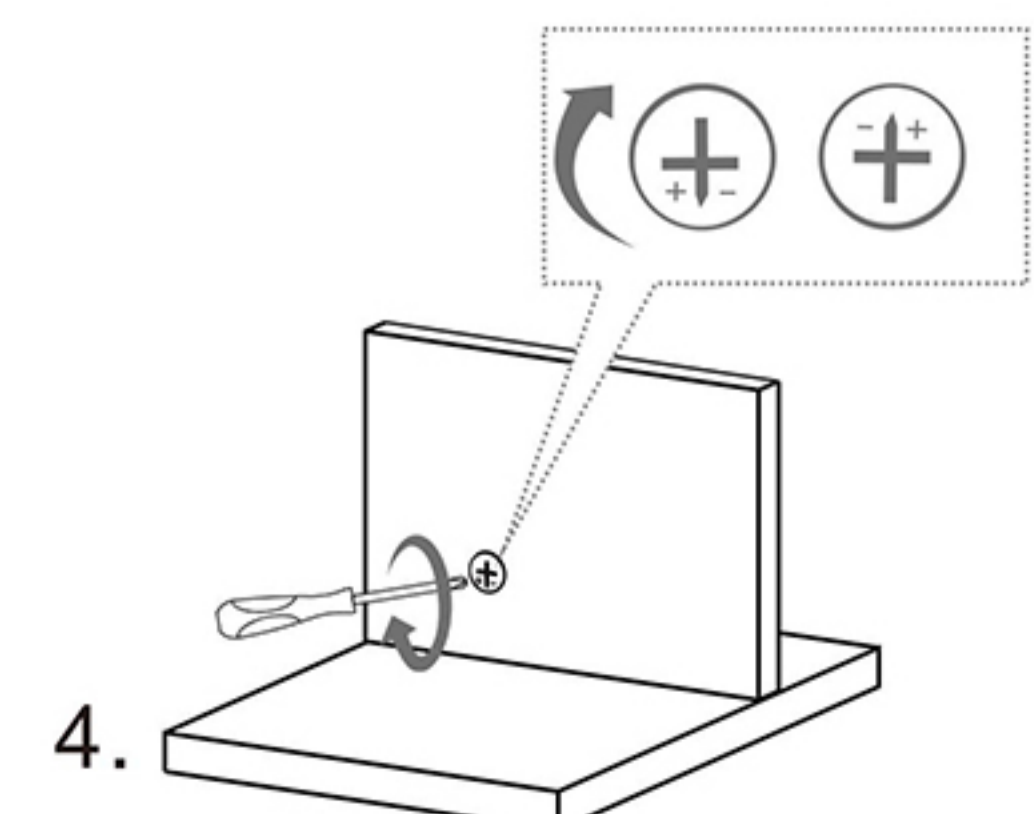
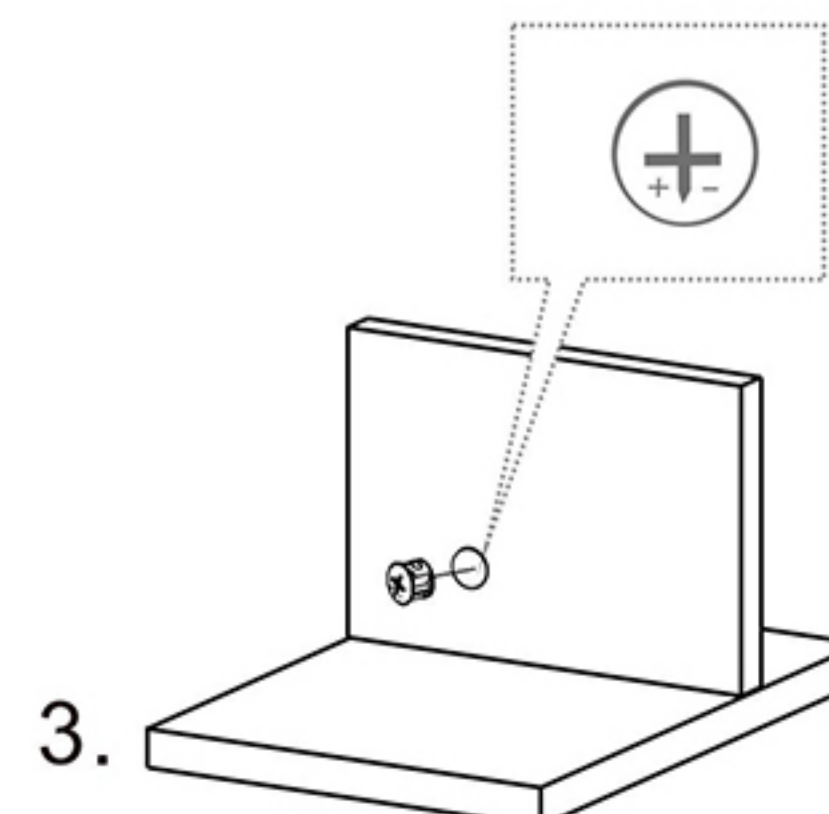
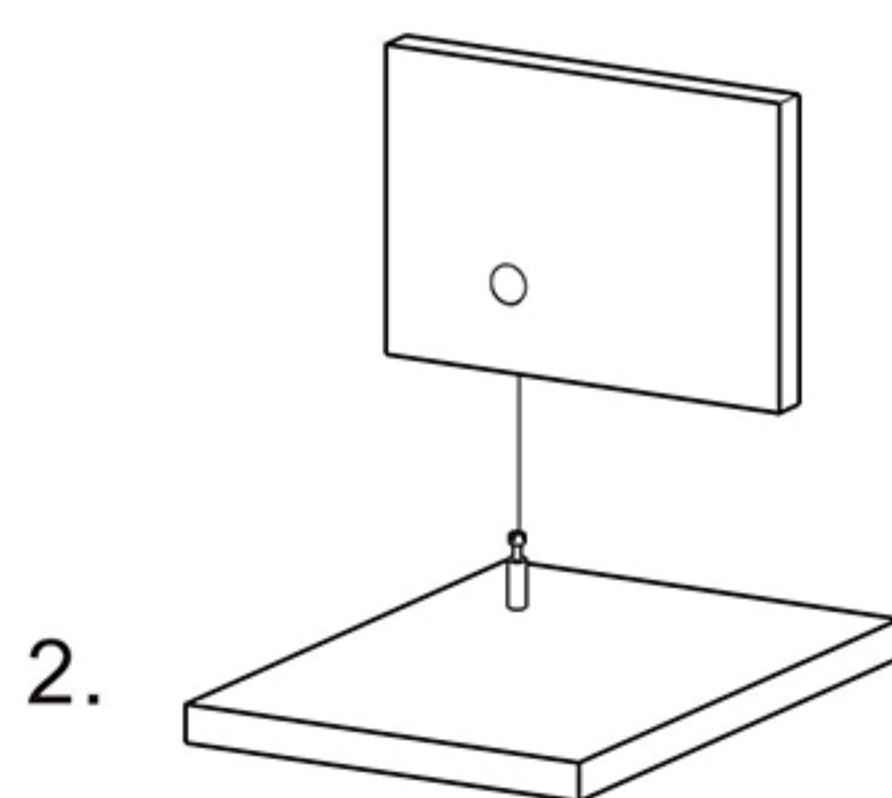
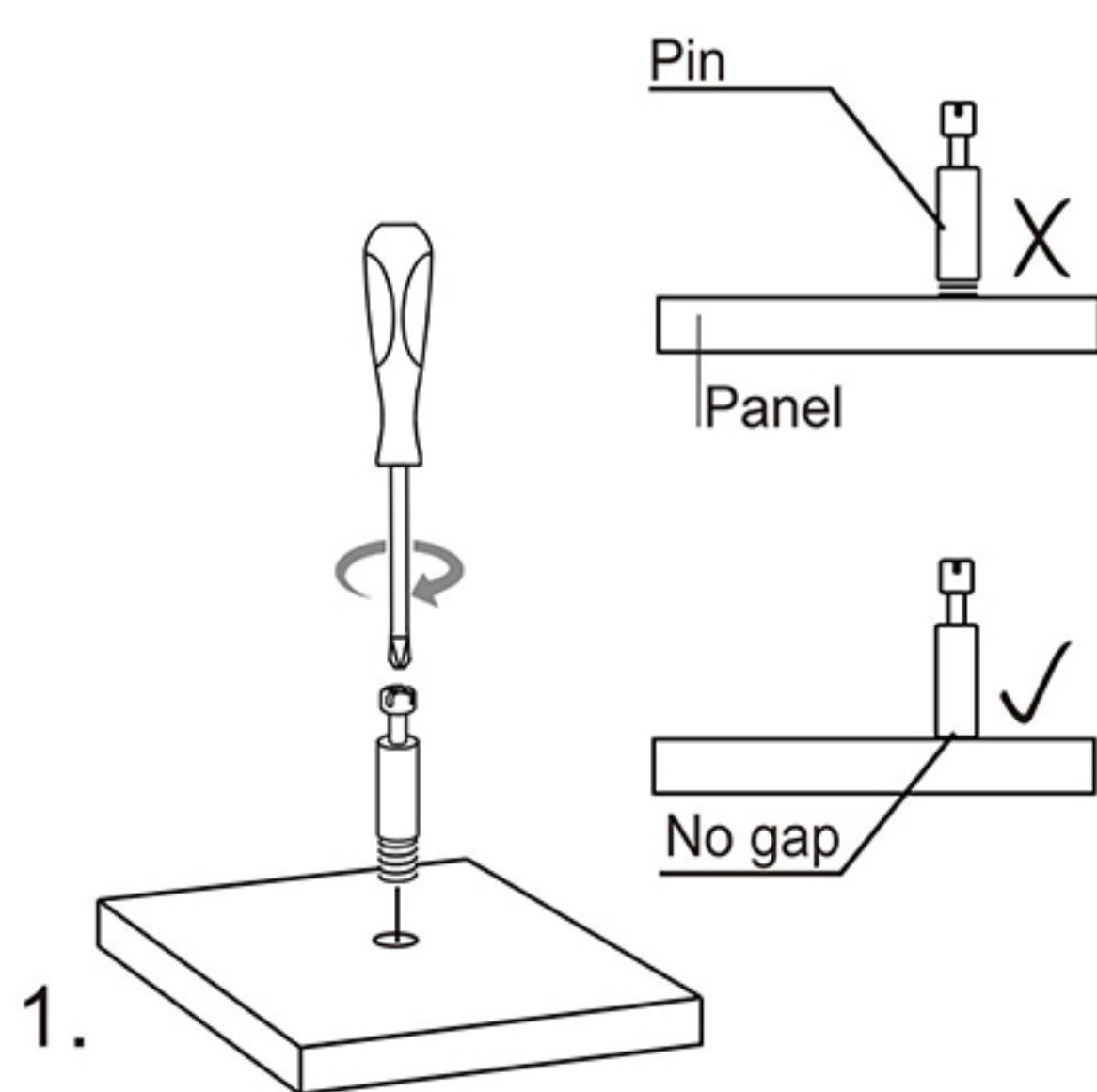
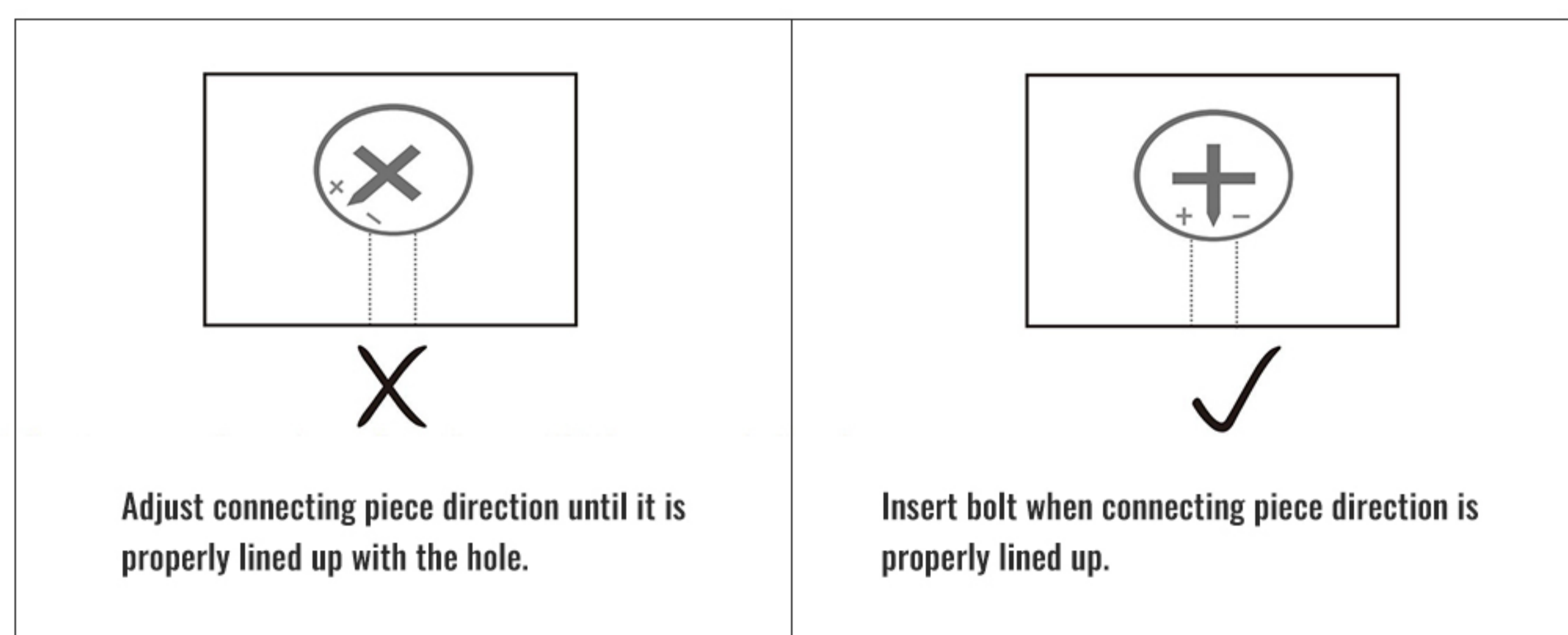
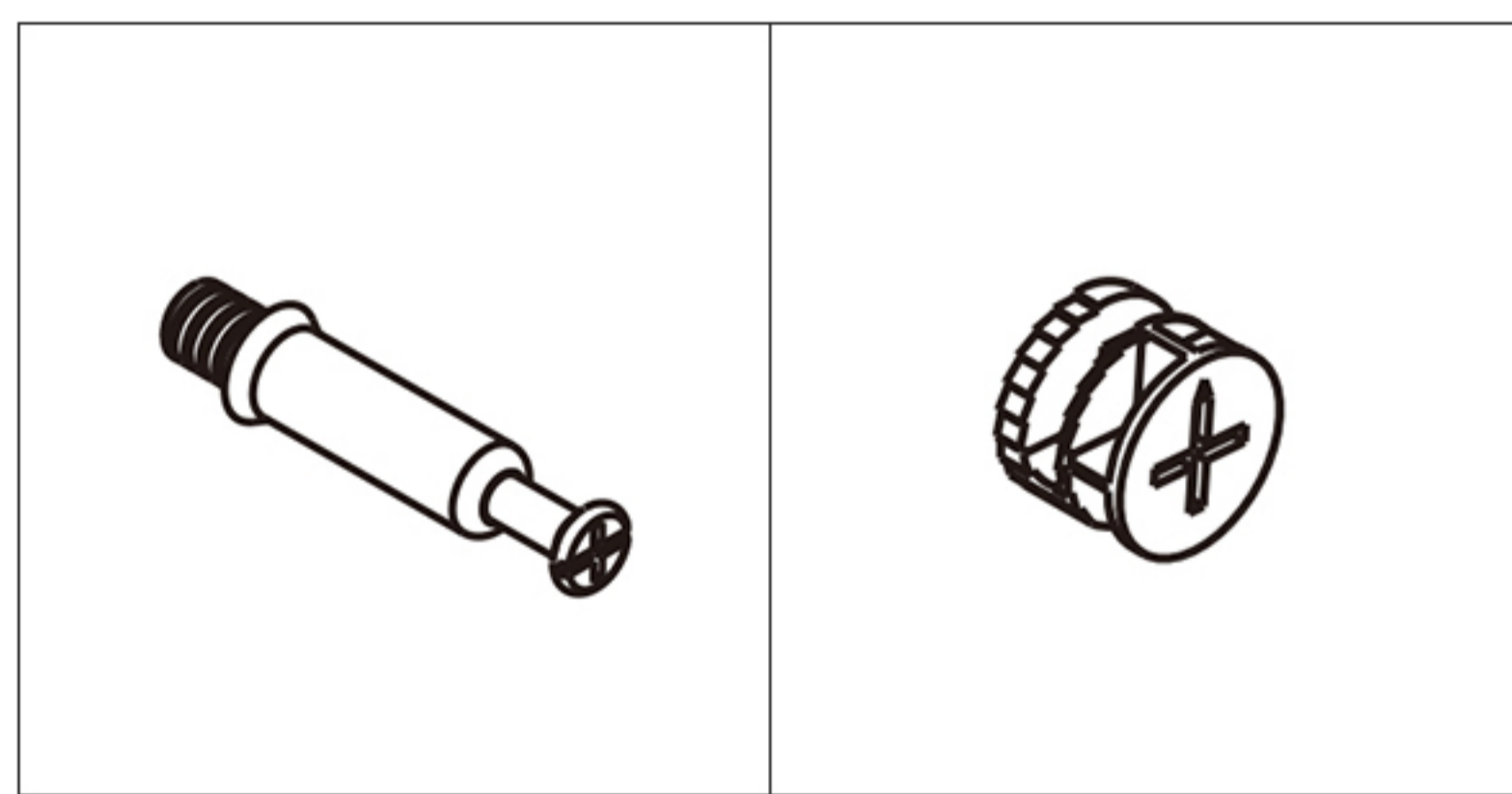
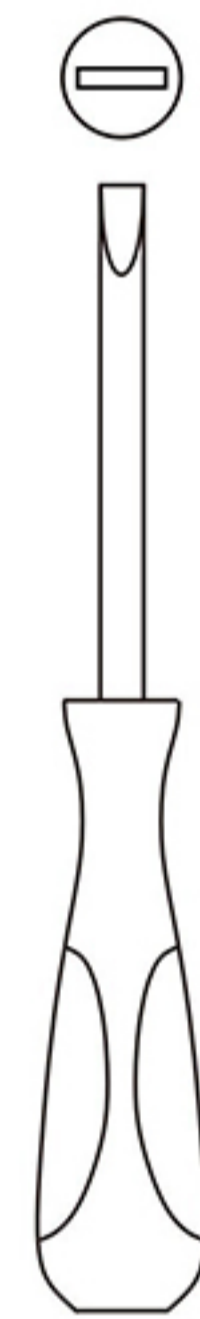
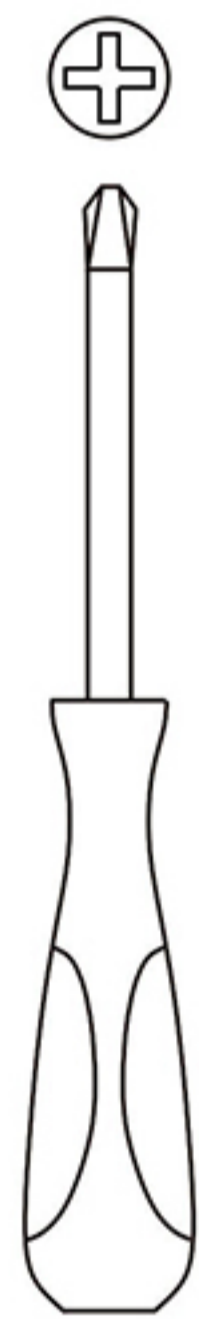


e Wooden pole * 4



j Panel support * 4

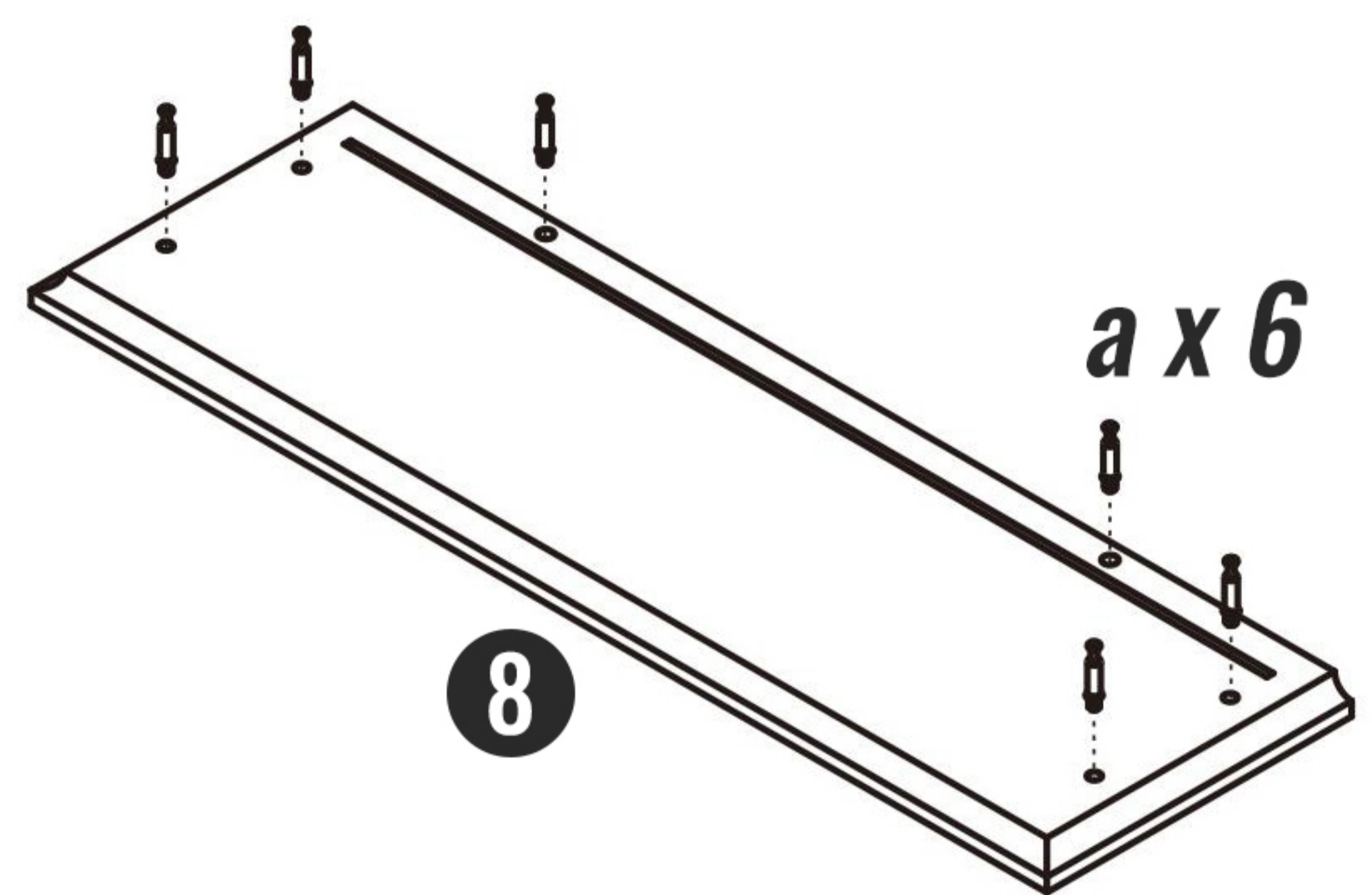
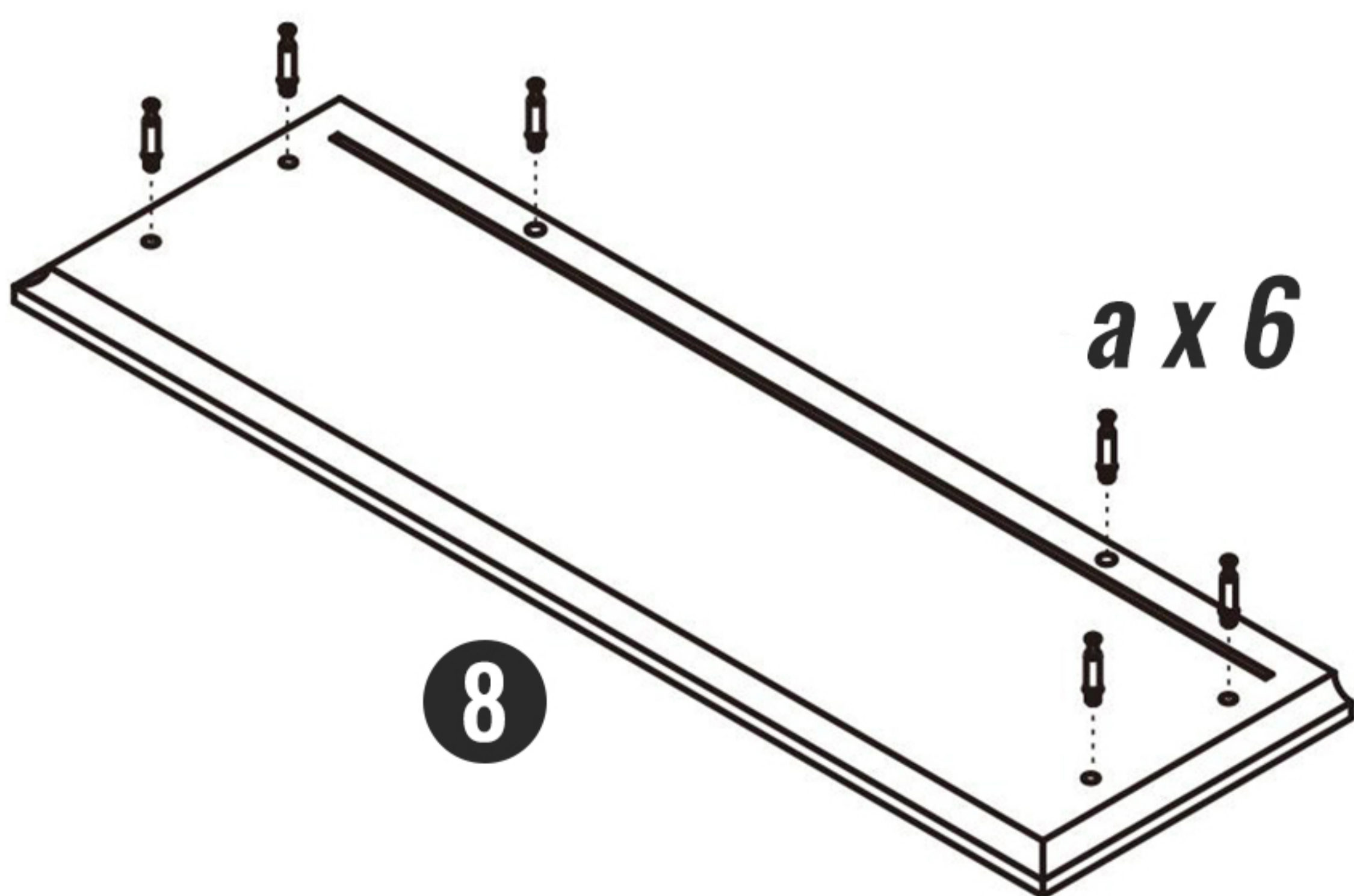
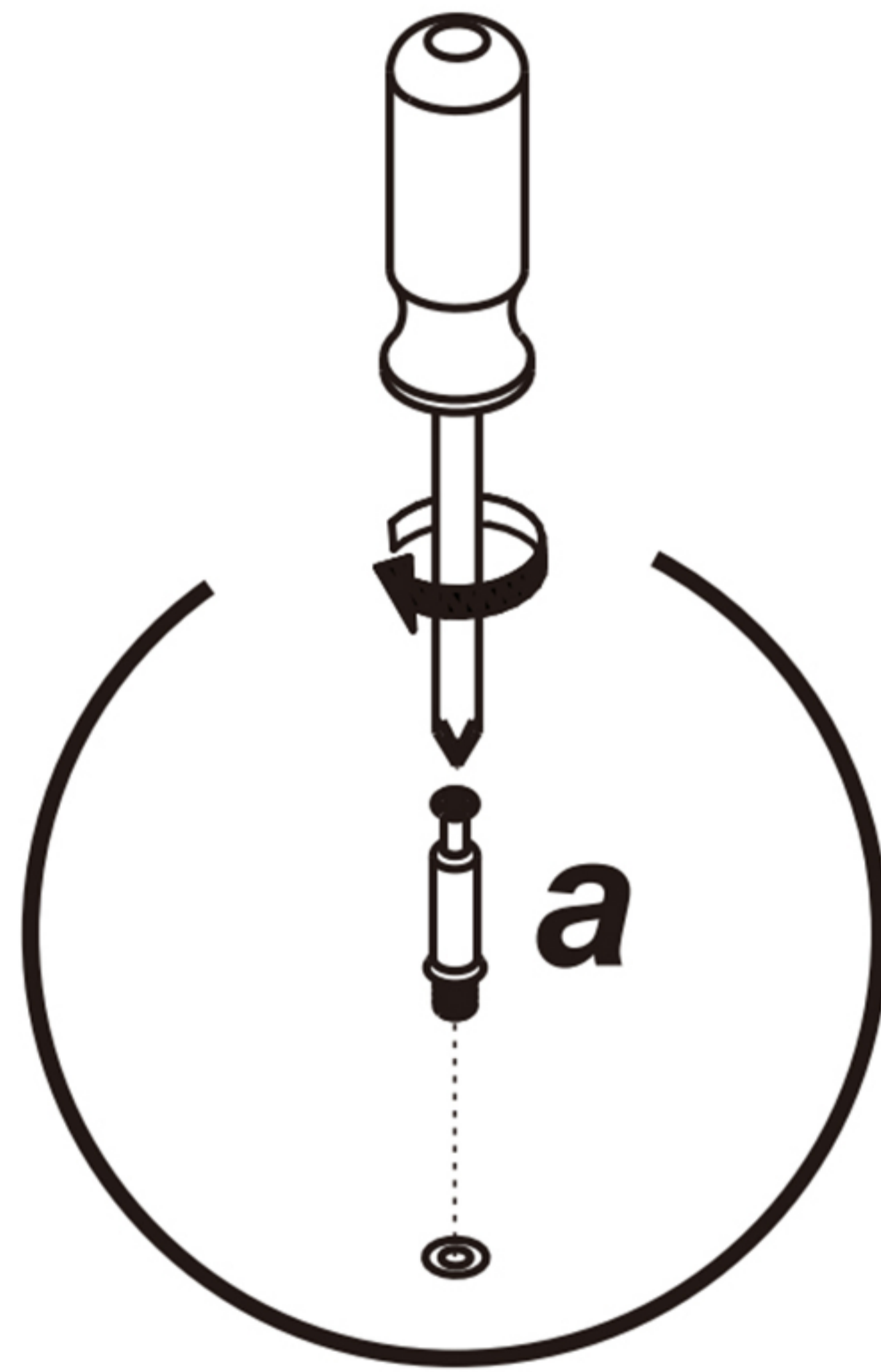
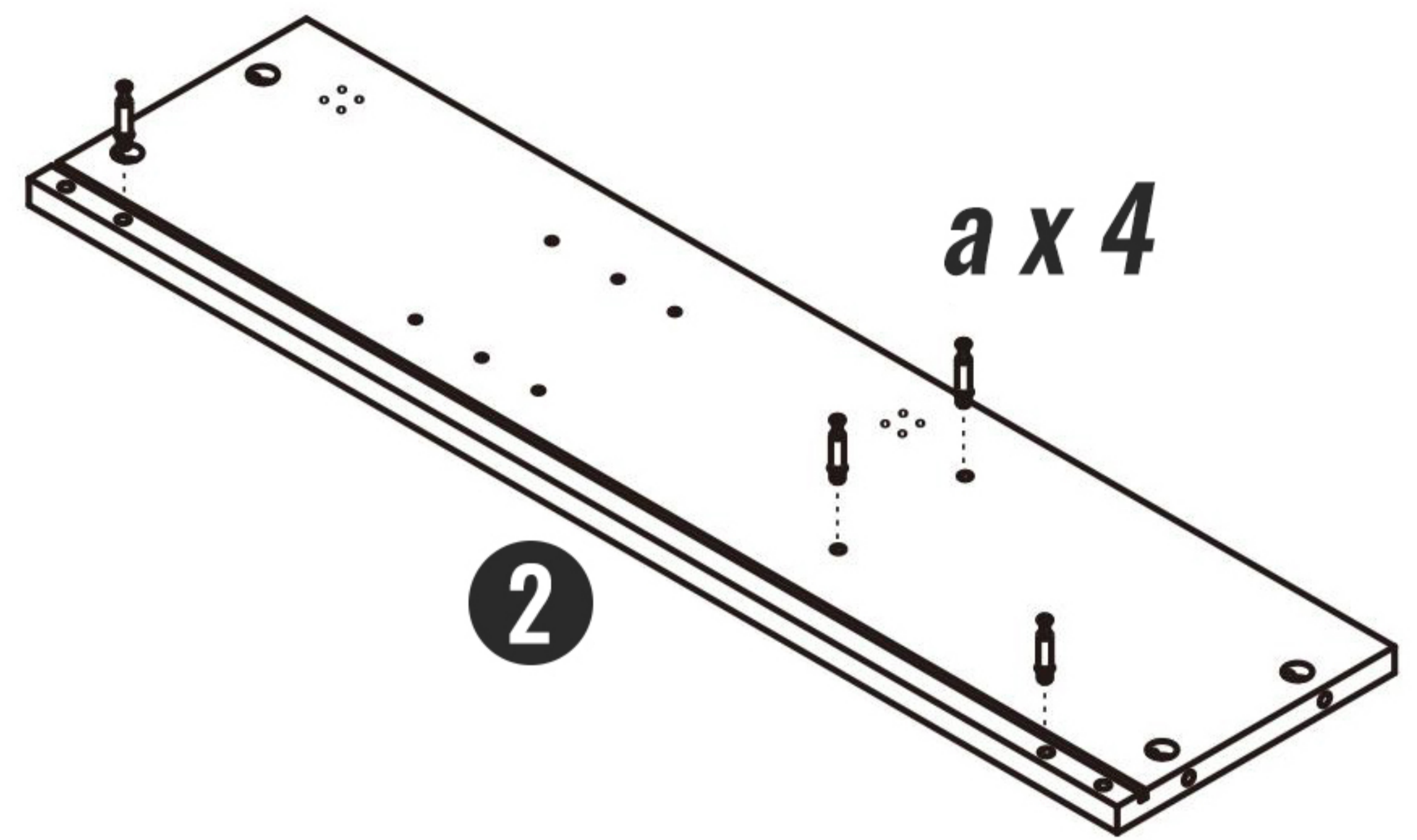
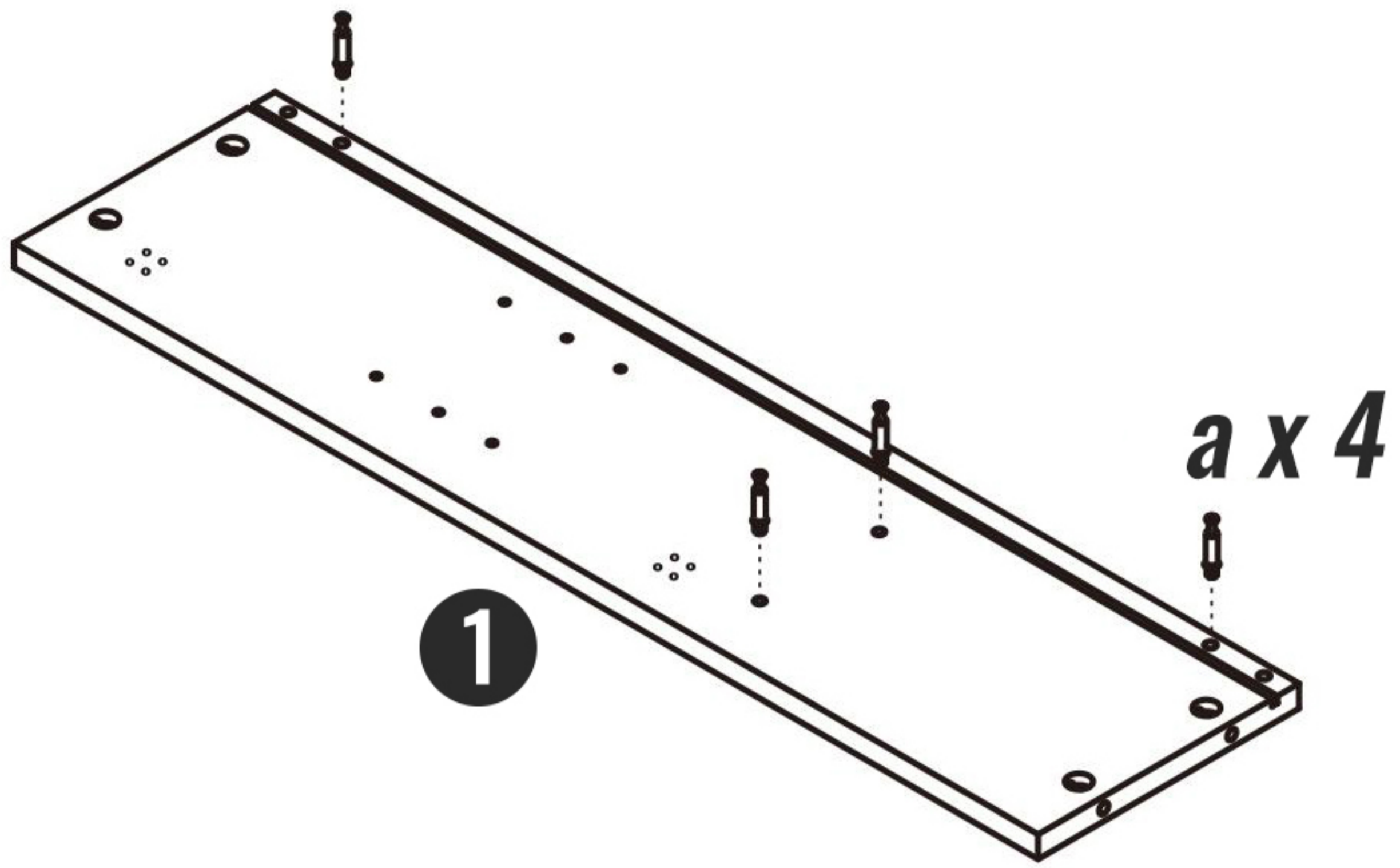
Tools Required



Installation Instructions

1 Install the Two in one screw, Wooden pole and Eccentric gear on Workpiece

①、②、⑧

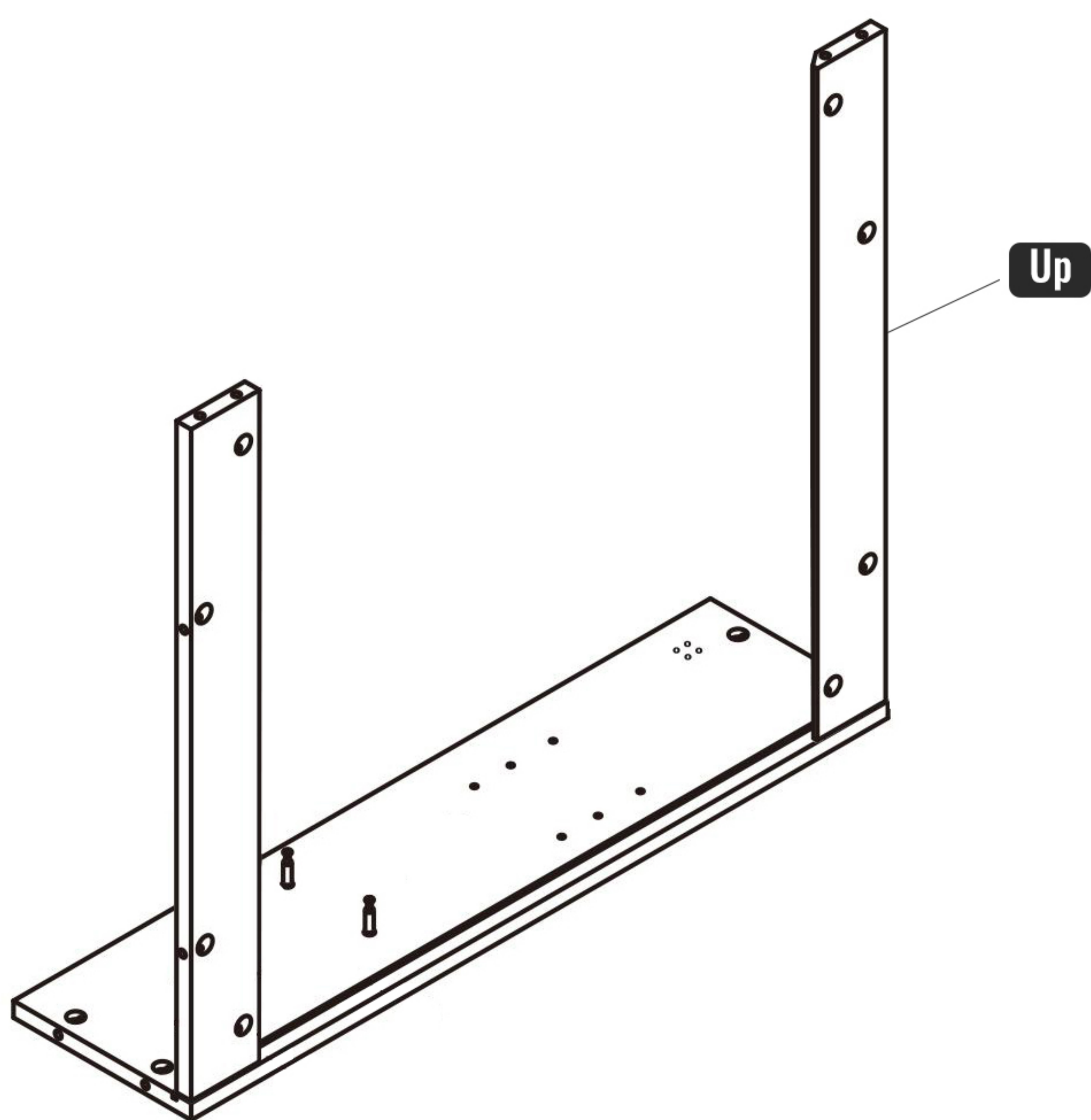
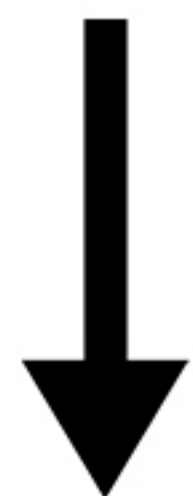
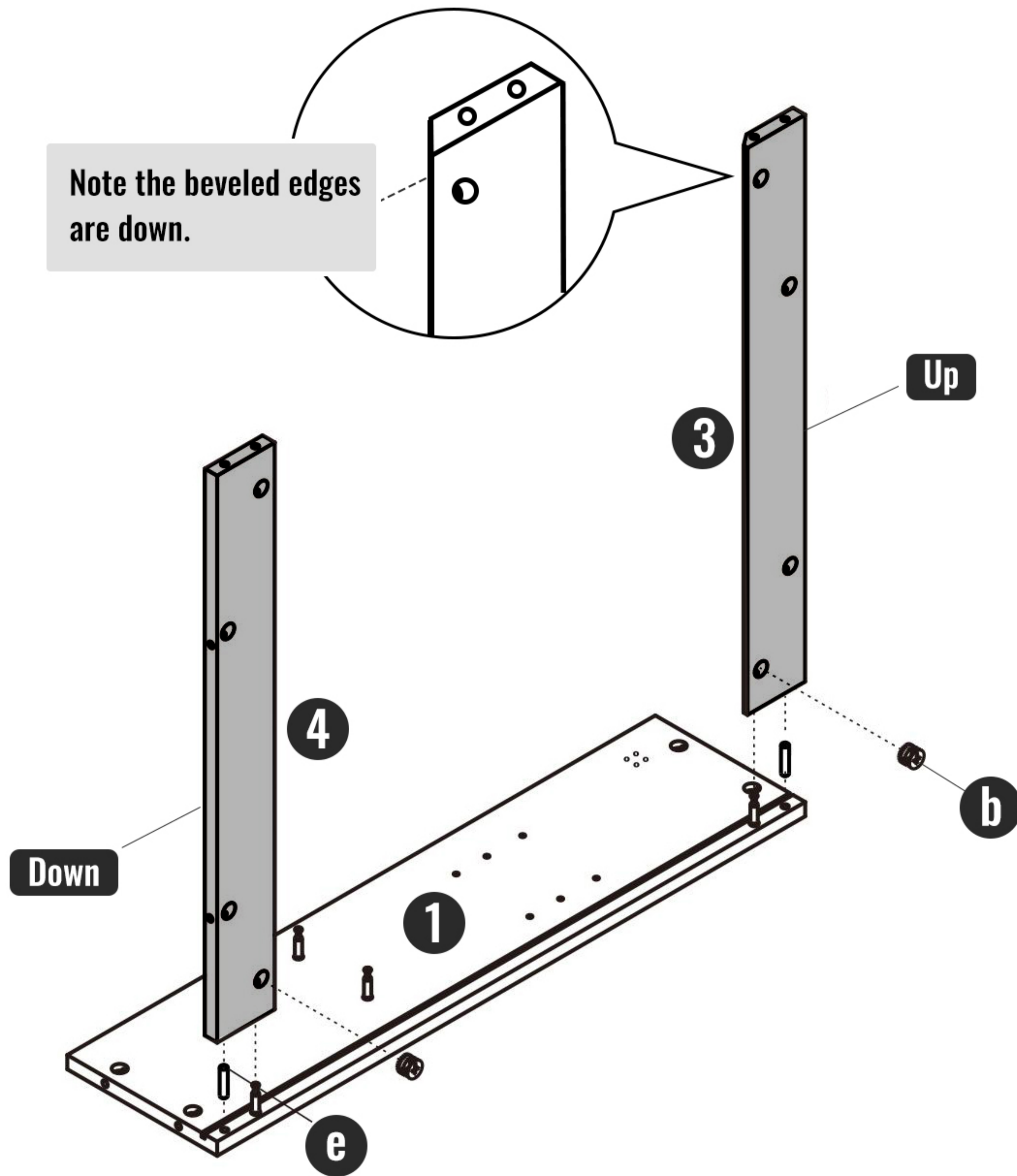


Installation Instructions

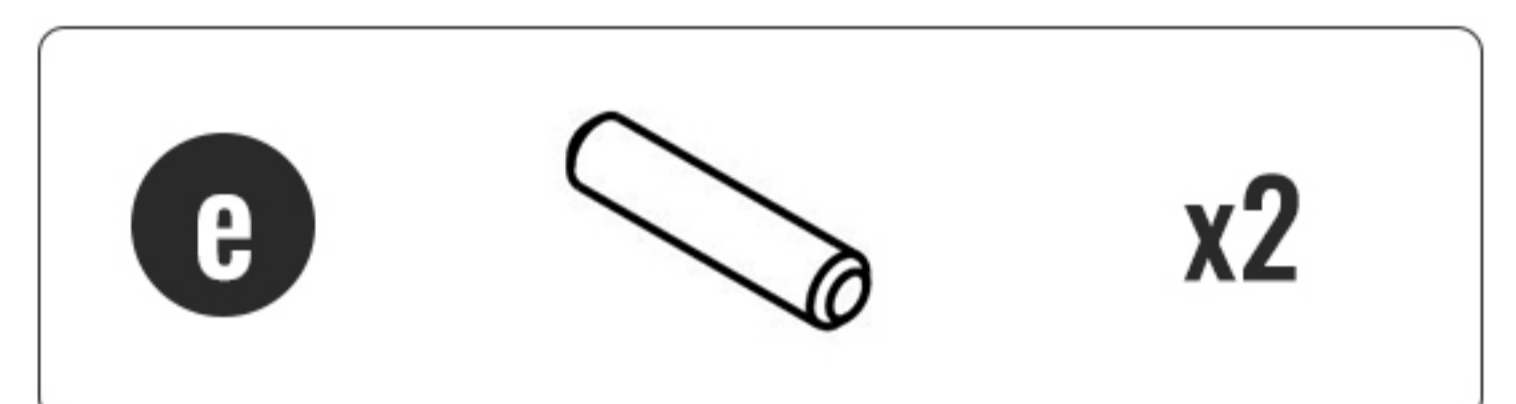
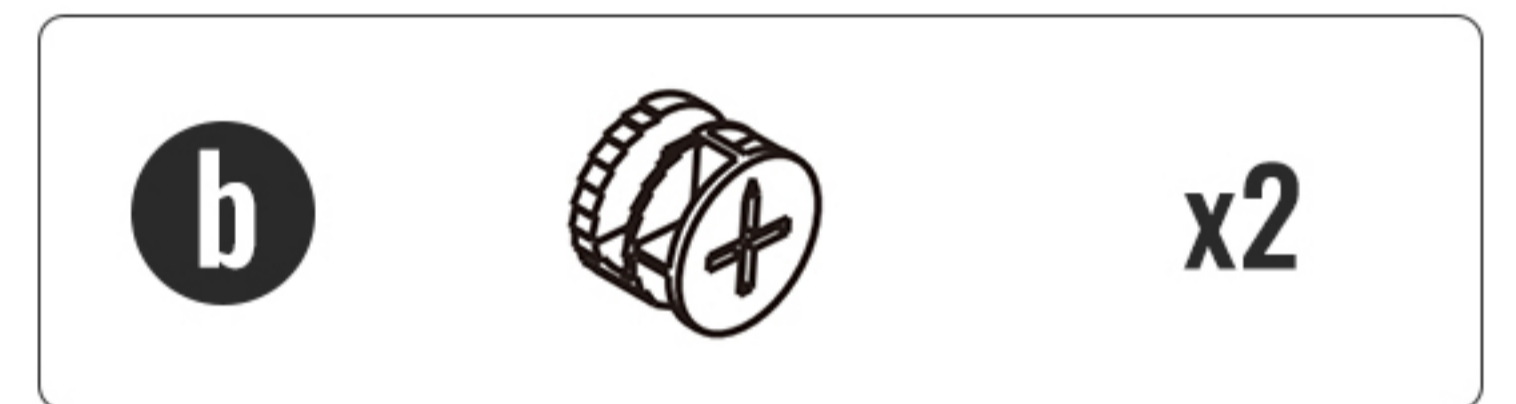
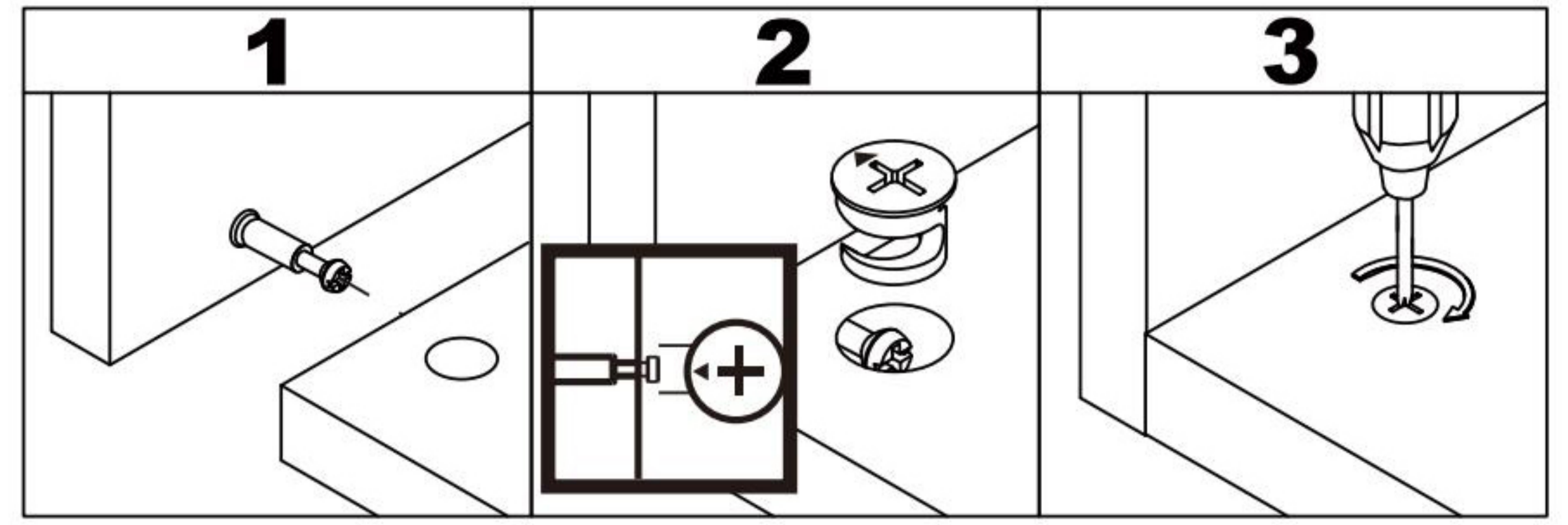
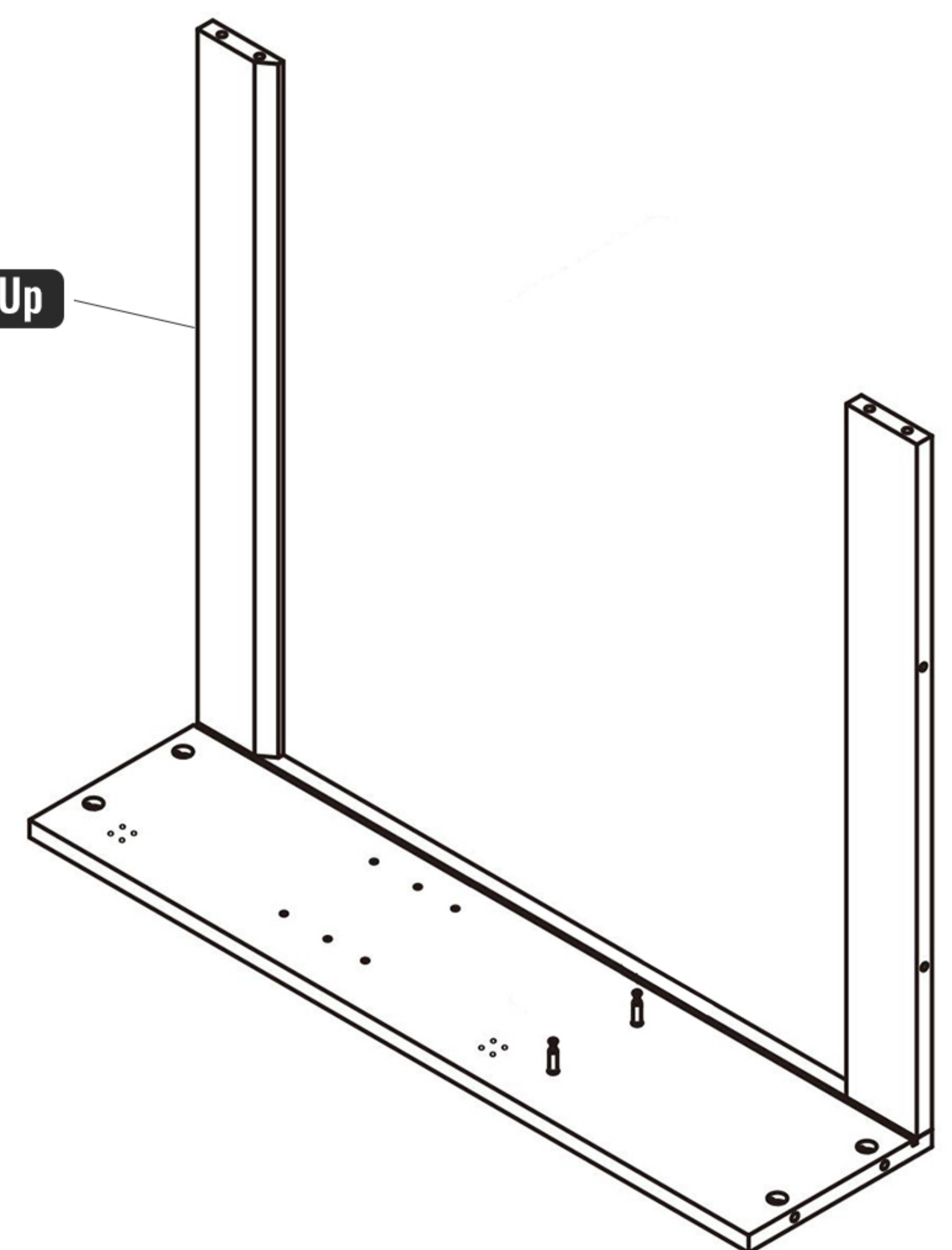
2

Connect ③ to ①, ④ to ①.

Note the beveled edges are down.



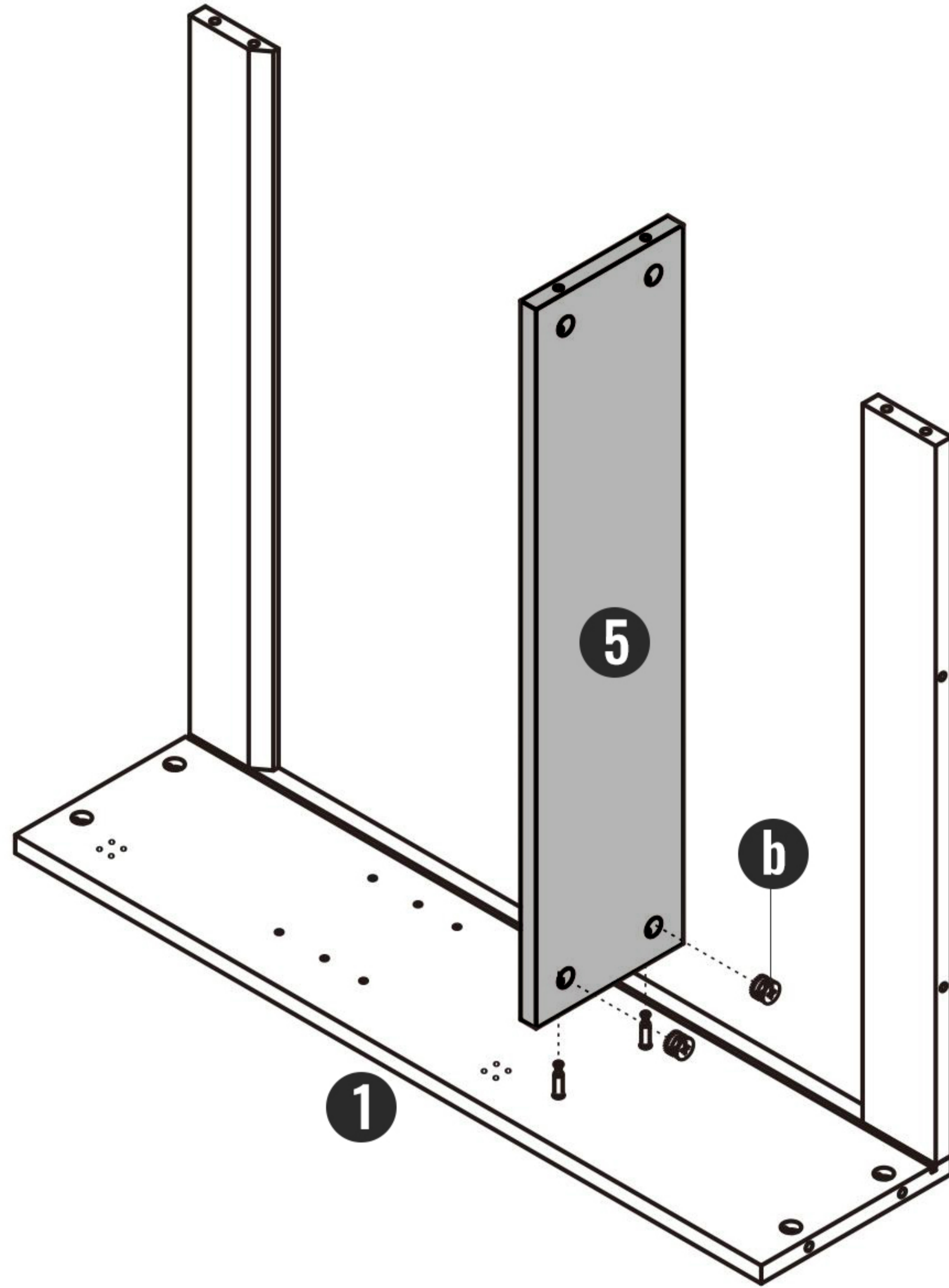
Revolve 90°



Installation Instructions

3

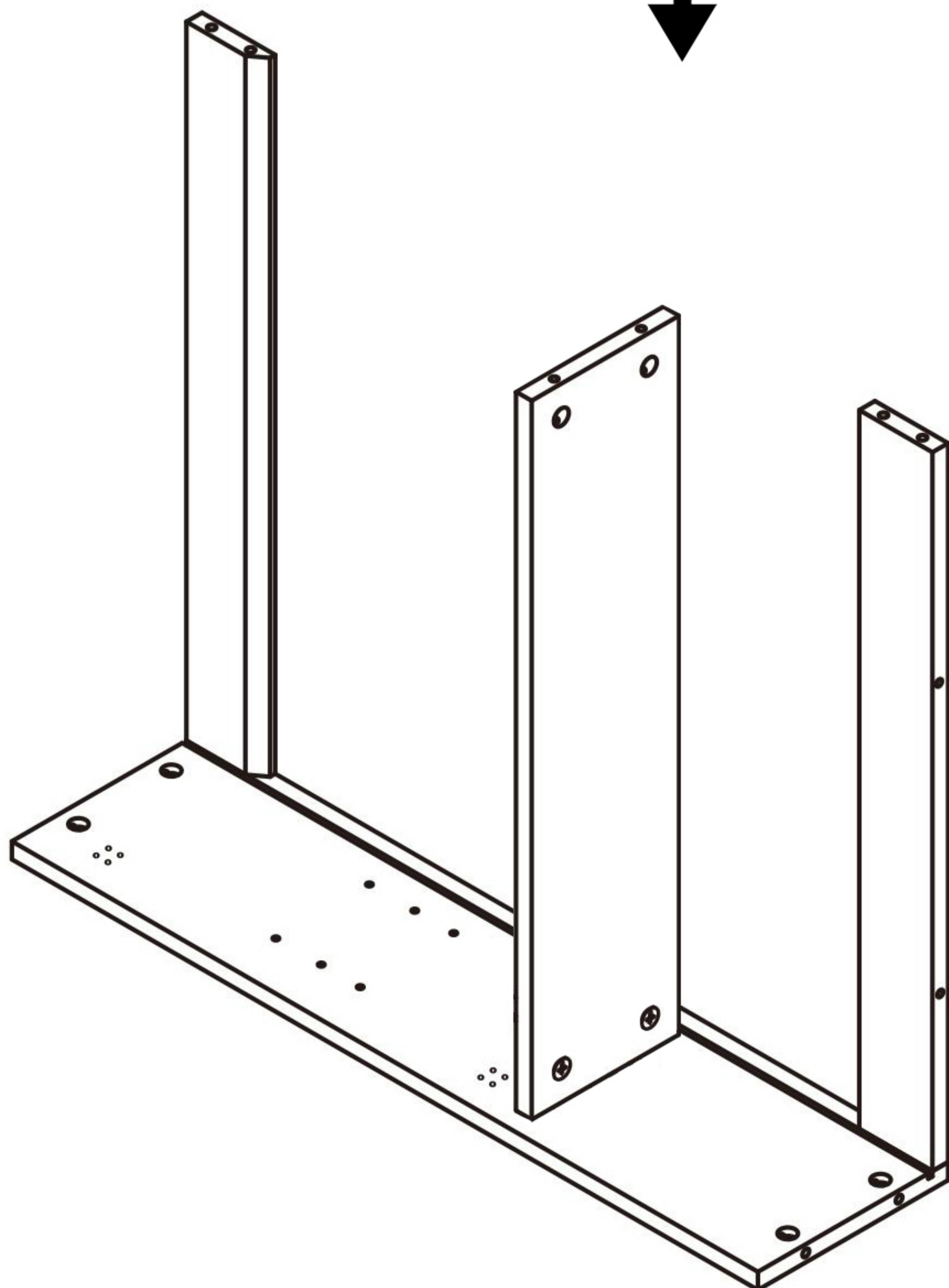
Connect ⑤ to ①.



b

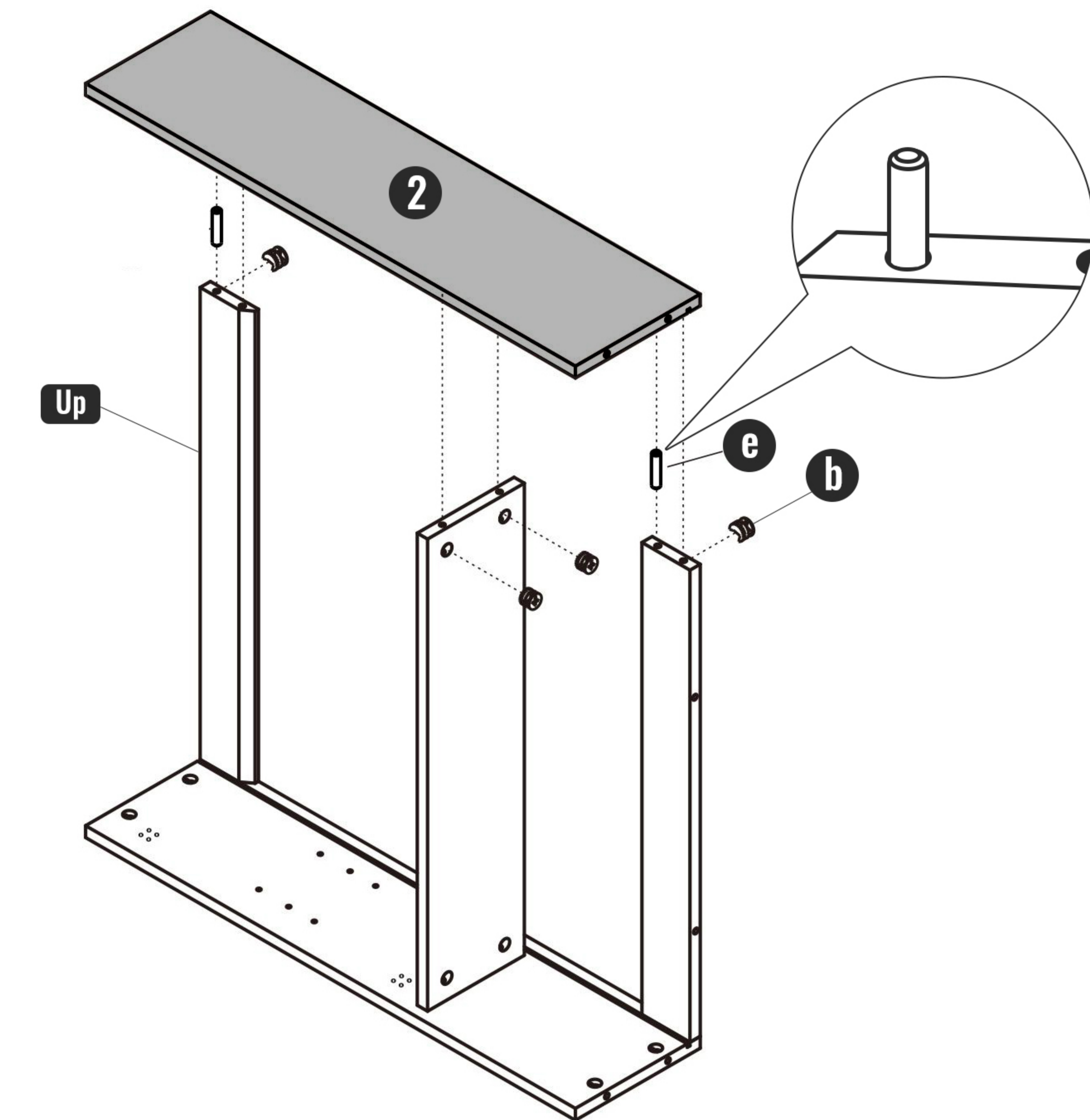




x2

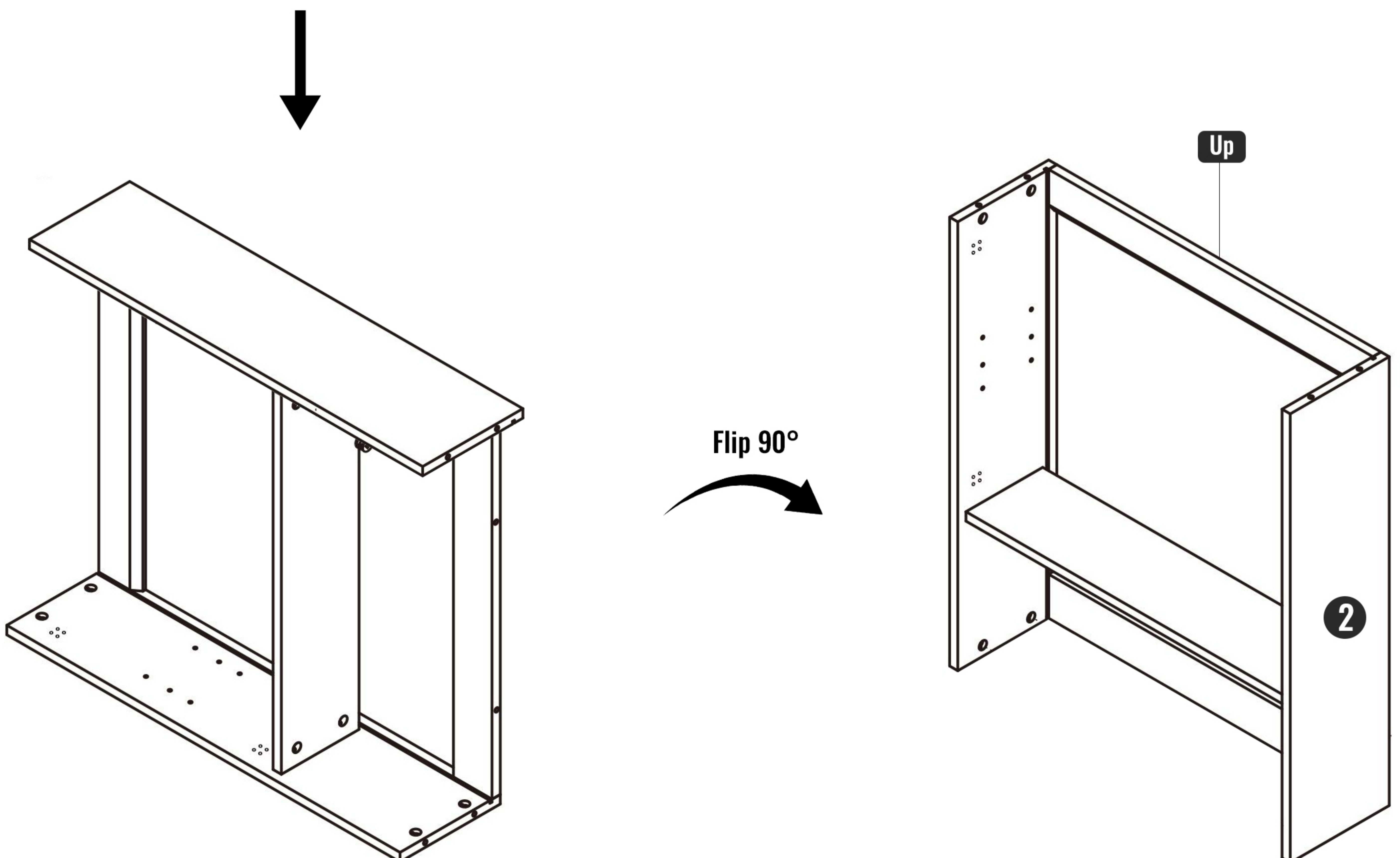


Installation Instructions

4 Install ② to the combination of ③④⑤.



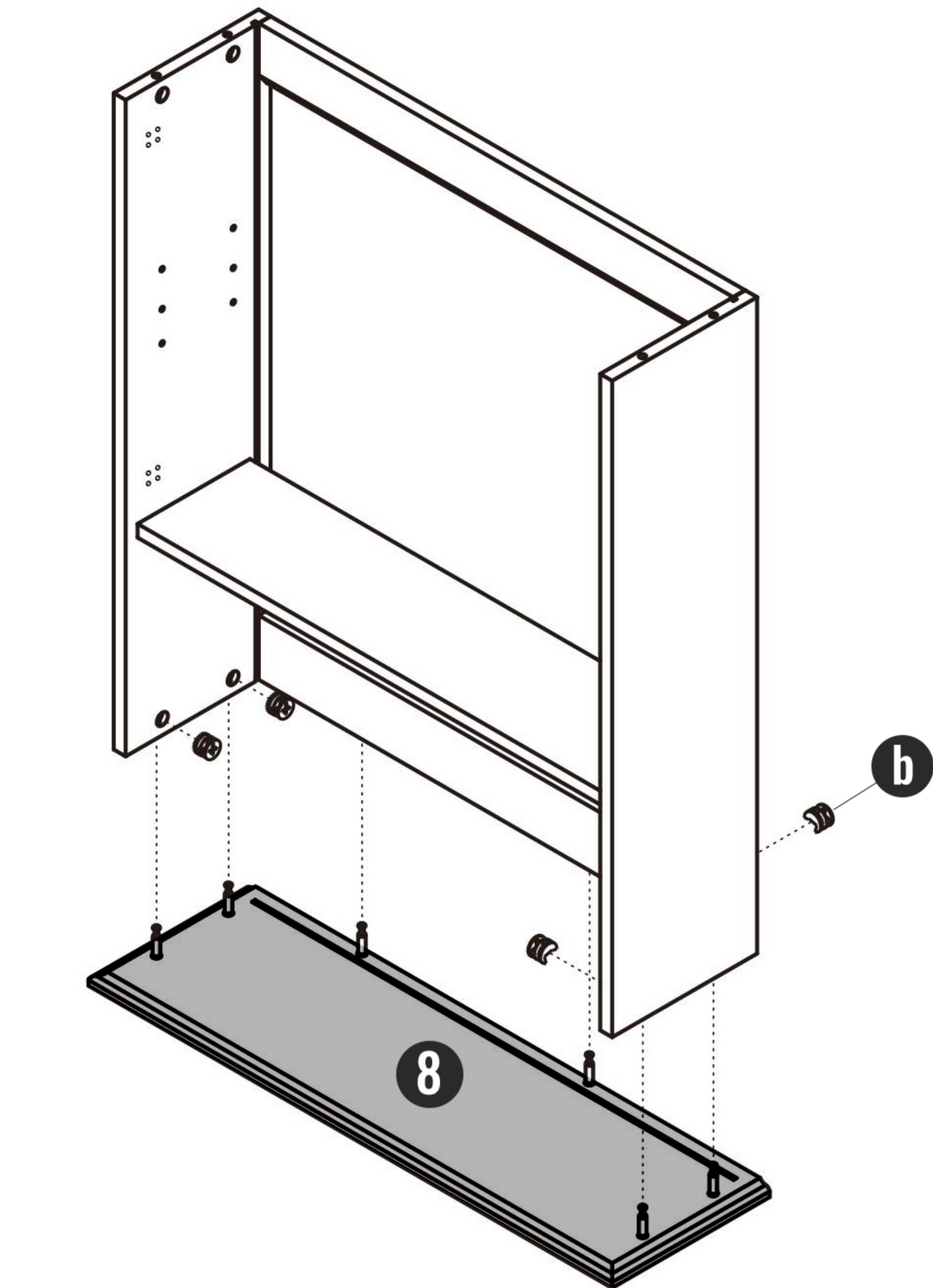
| | | |
|----------|---|----|
| b |  | x4 |
| e |  | x2 |



Installation Instructions

5

Install with the bottom panel ⑧.



b

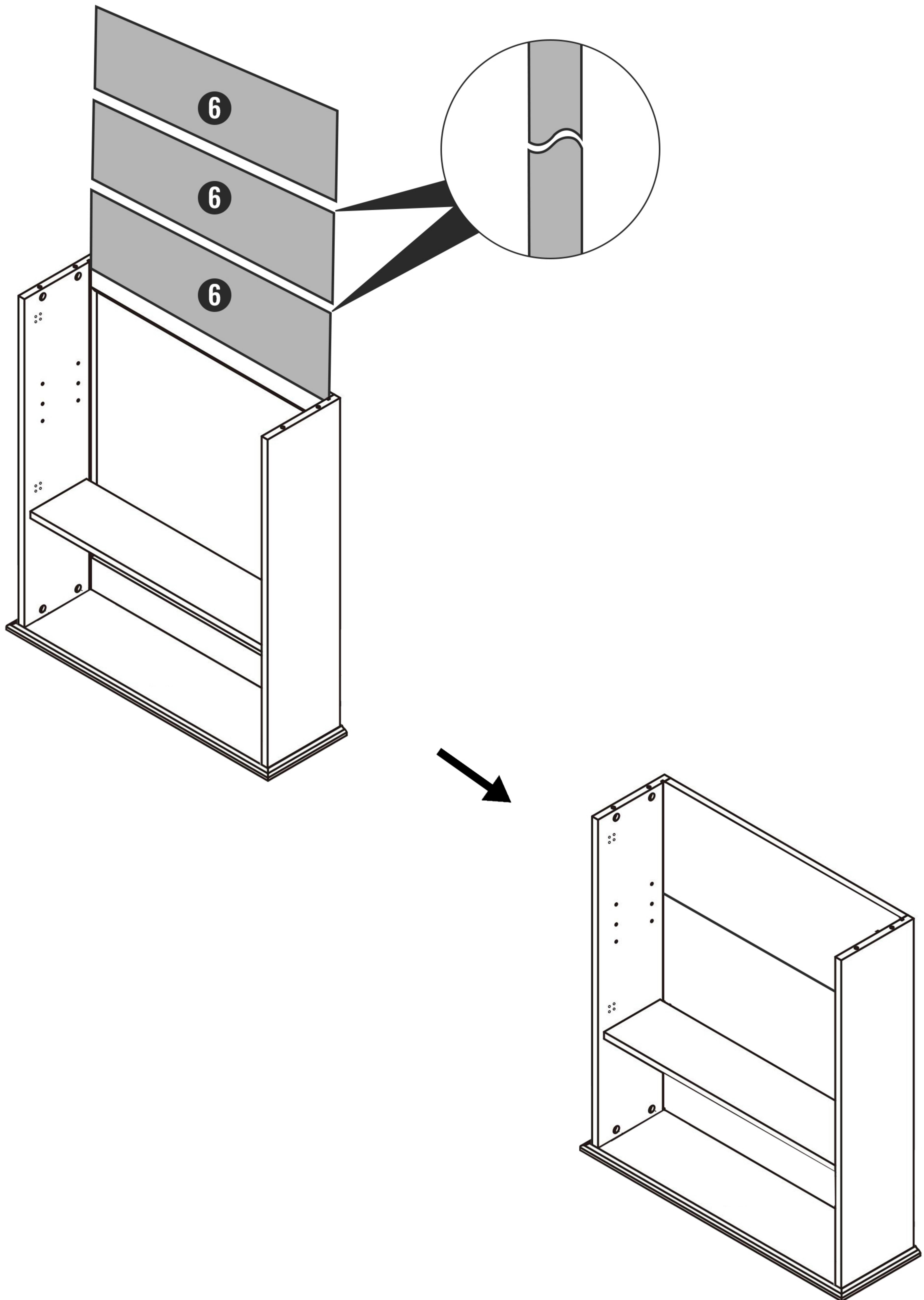


x6

Installation Instructions

6

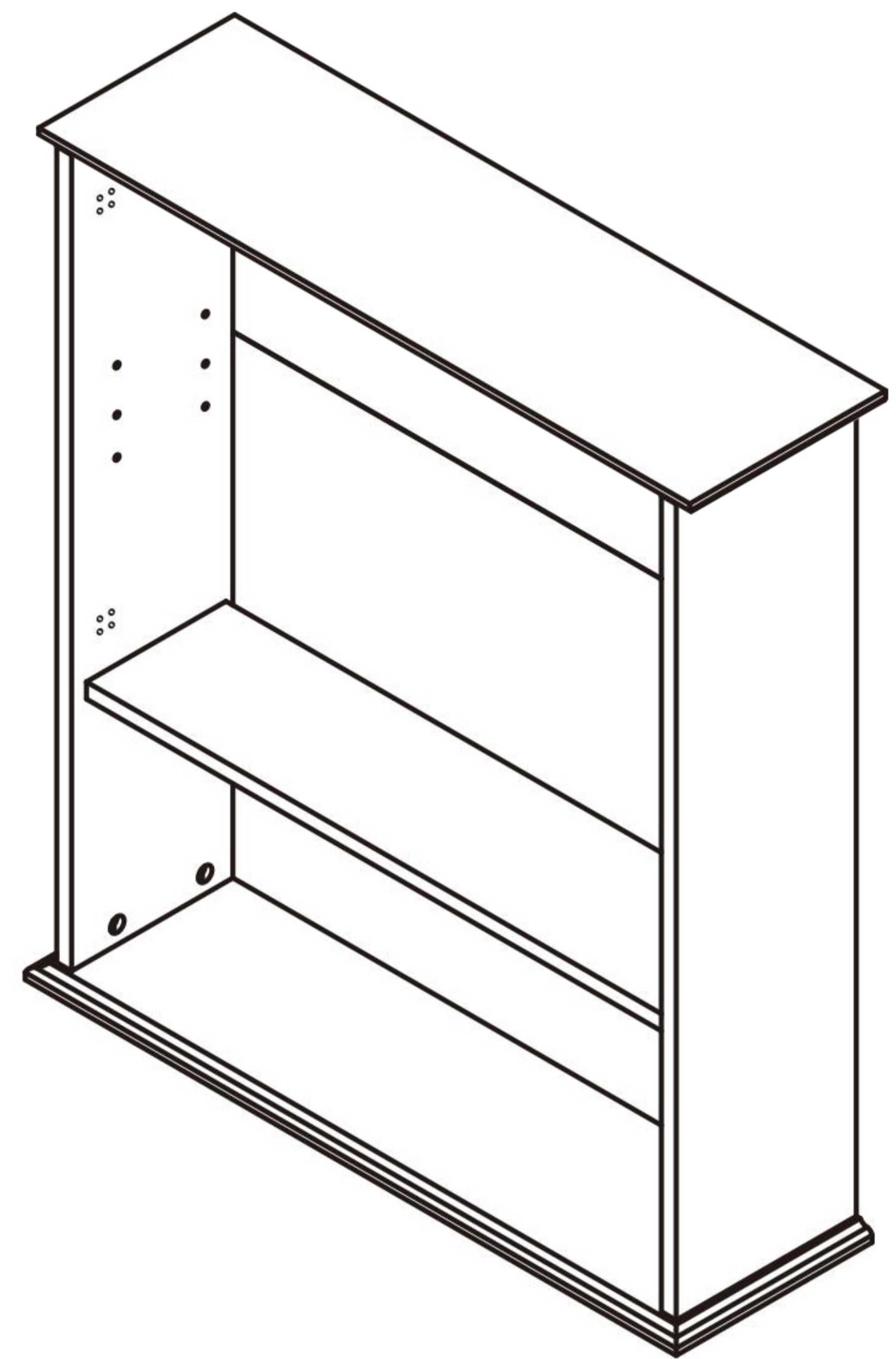
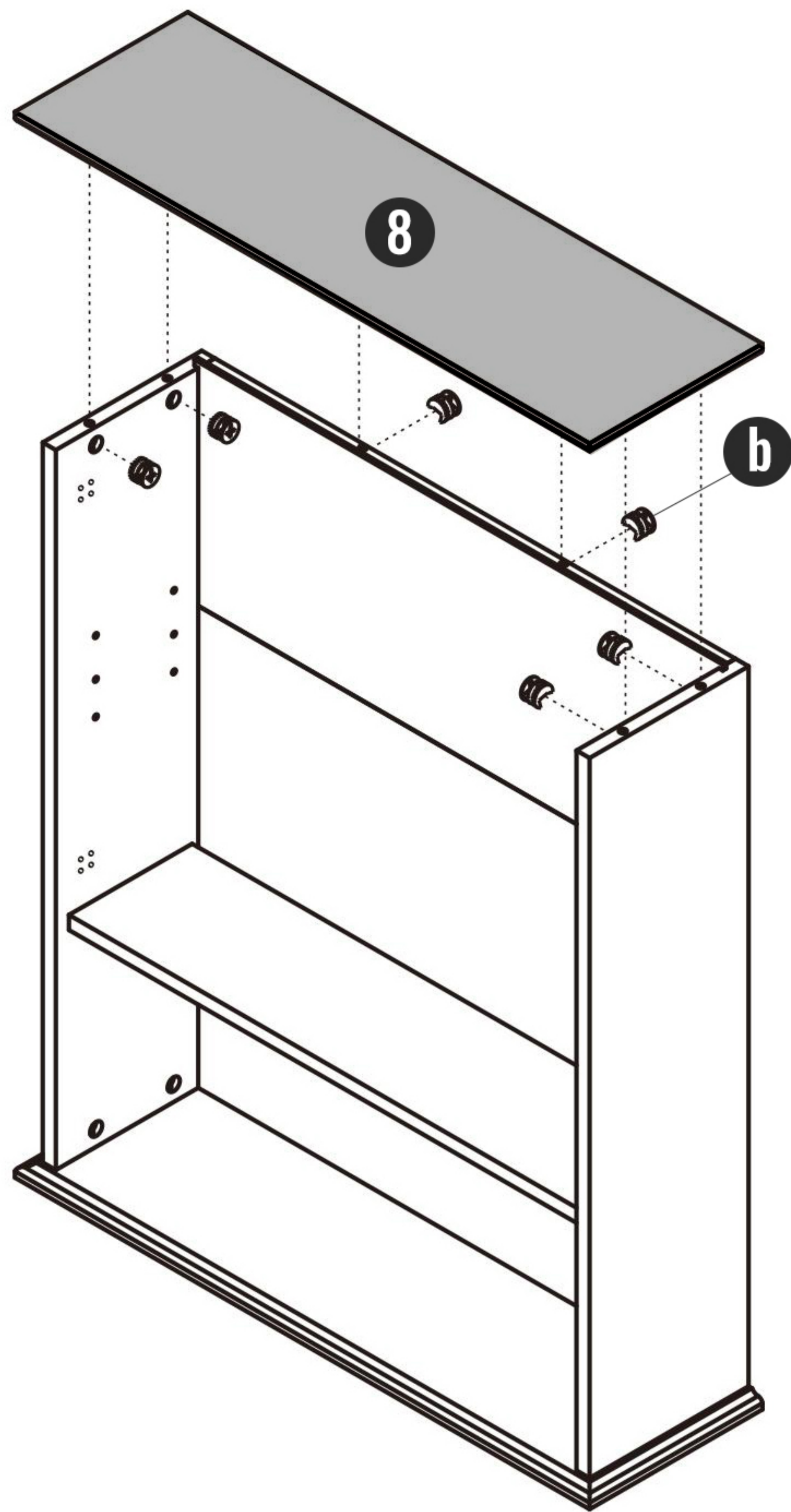
Insert 3 back panel ⑥.



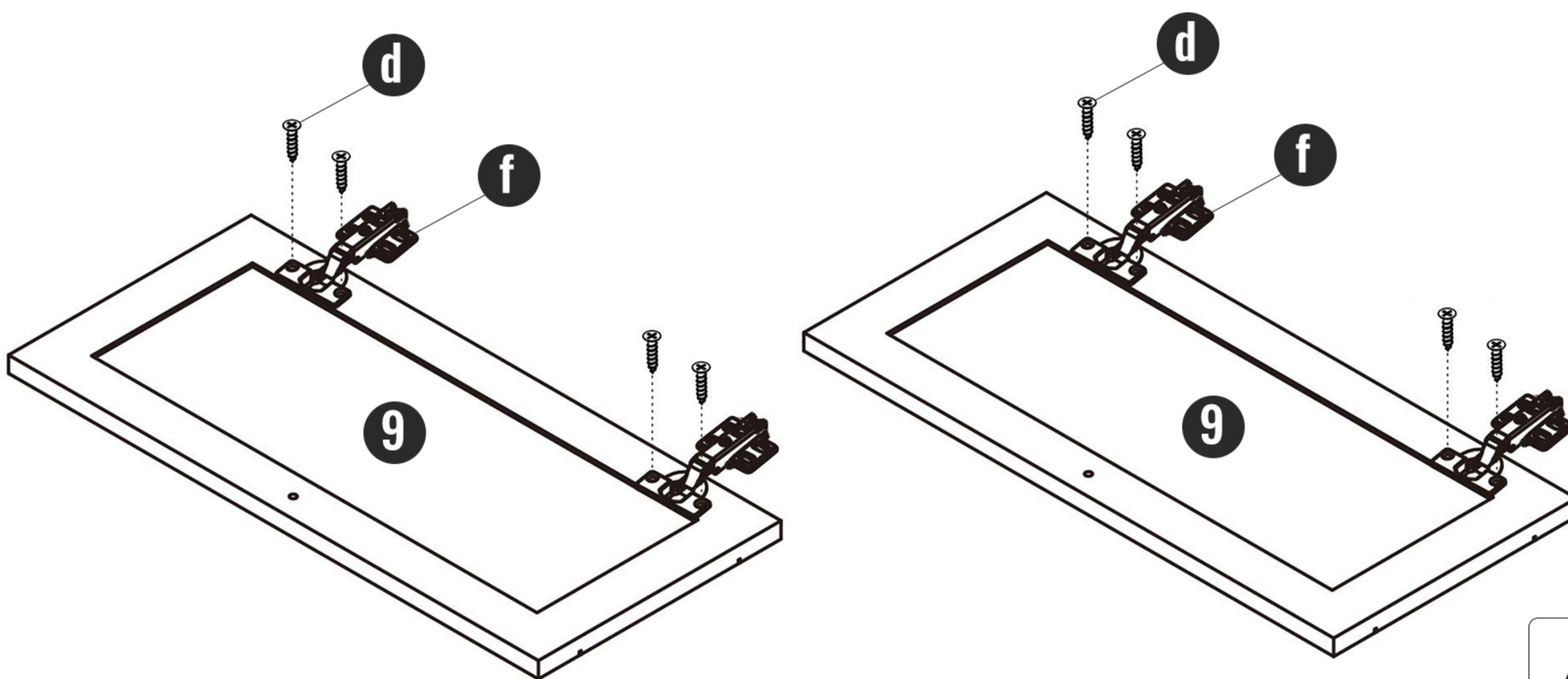
Installation Instructions

7 Install the top panel ⑧ with them.

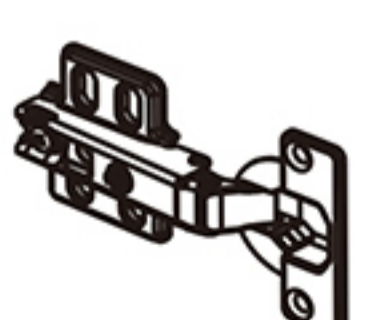
b  x6



8 Fix the door hinges onto the doors ⑨.



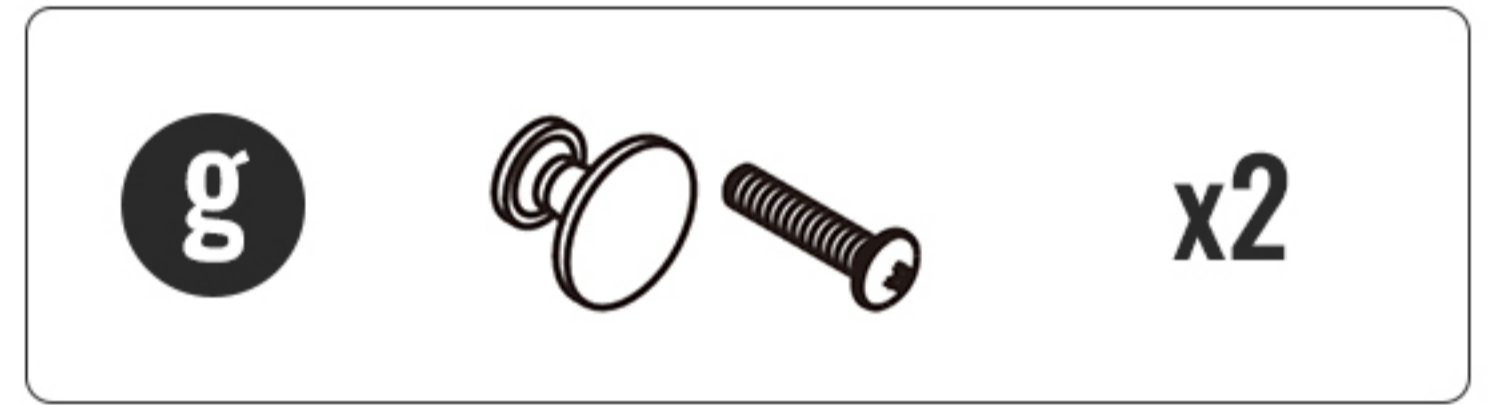
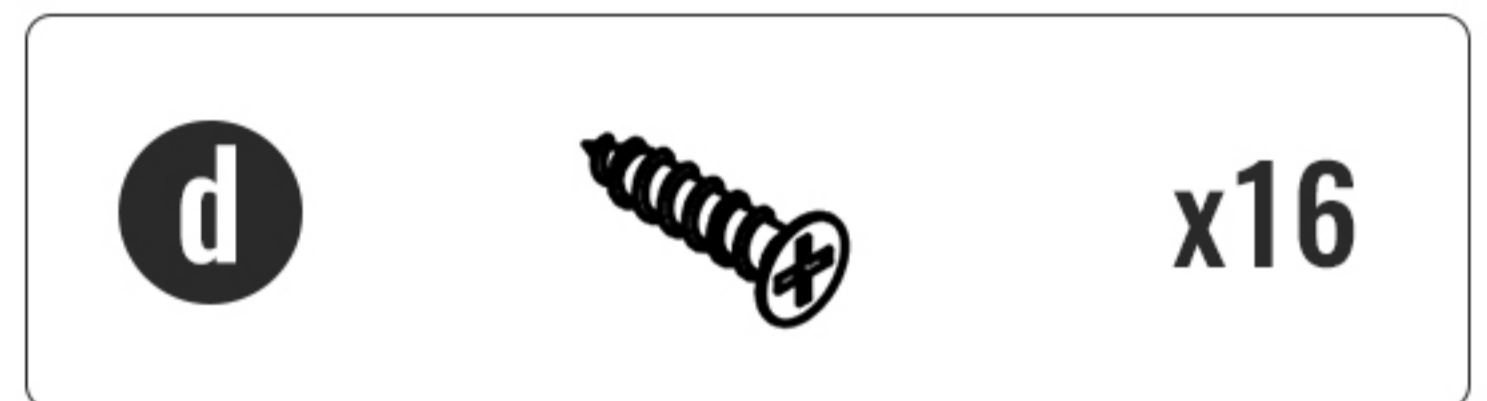
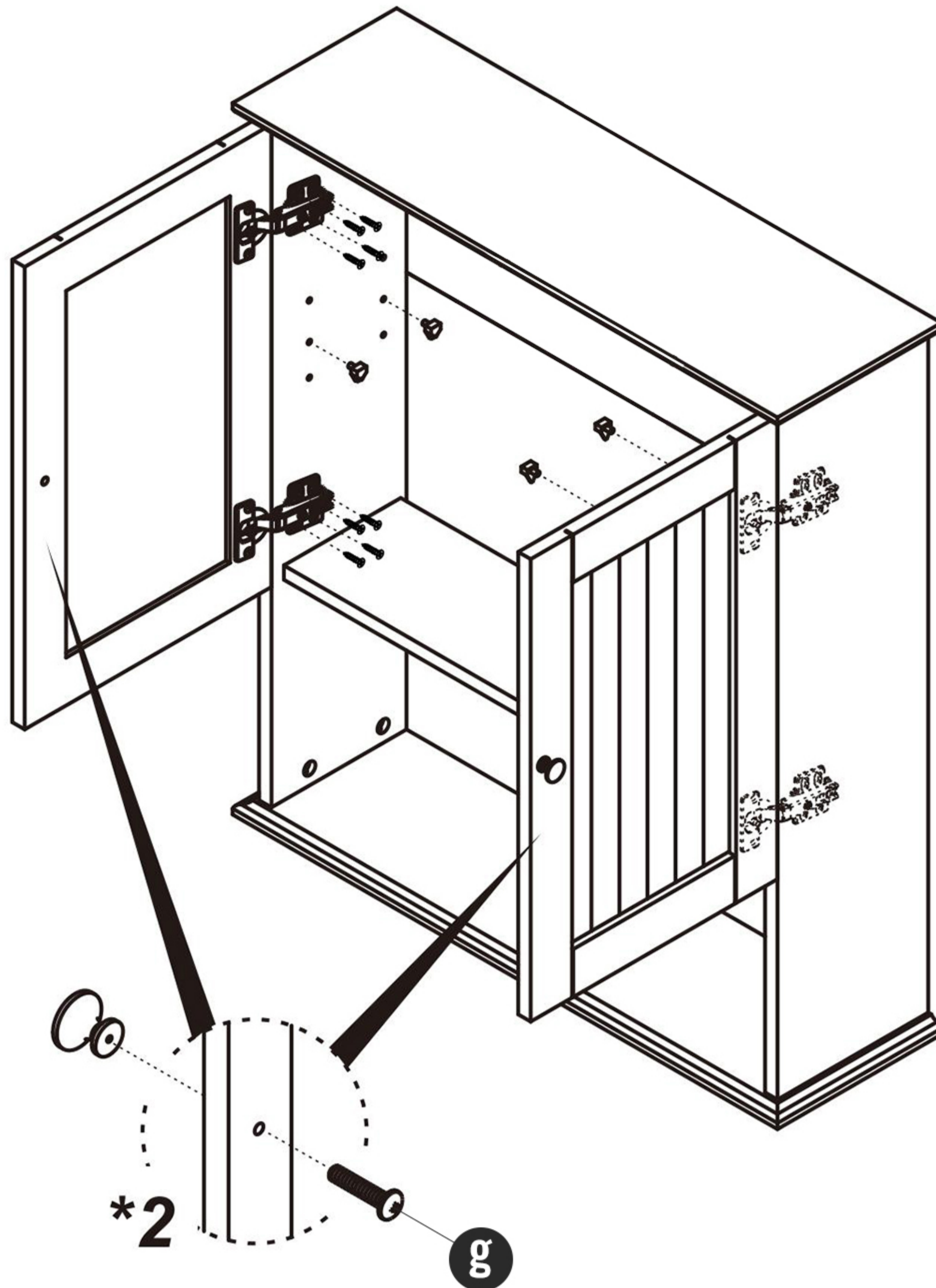
d  x8

b  x4

Installation Instructions

9

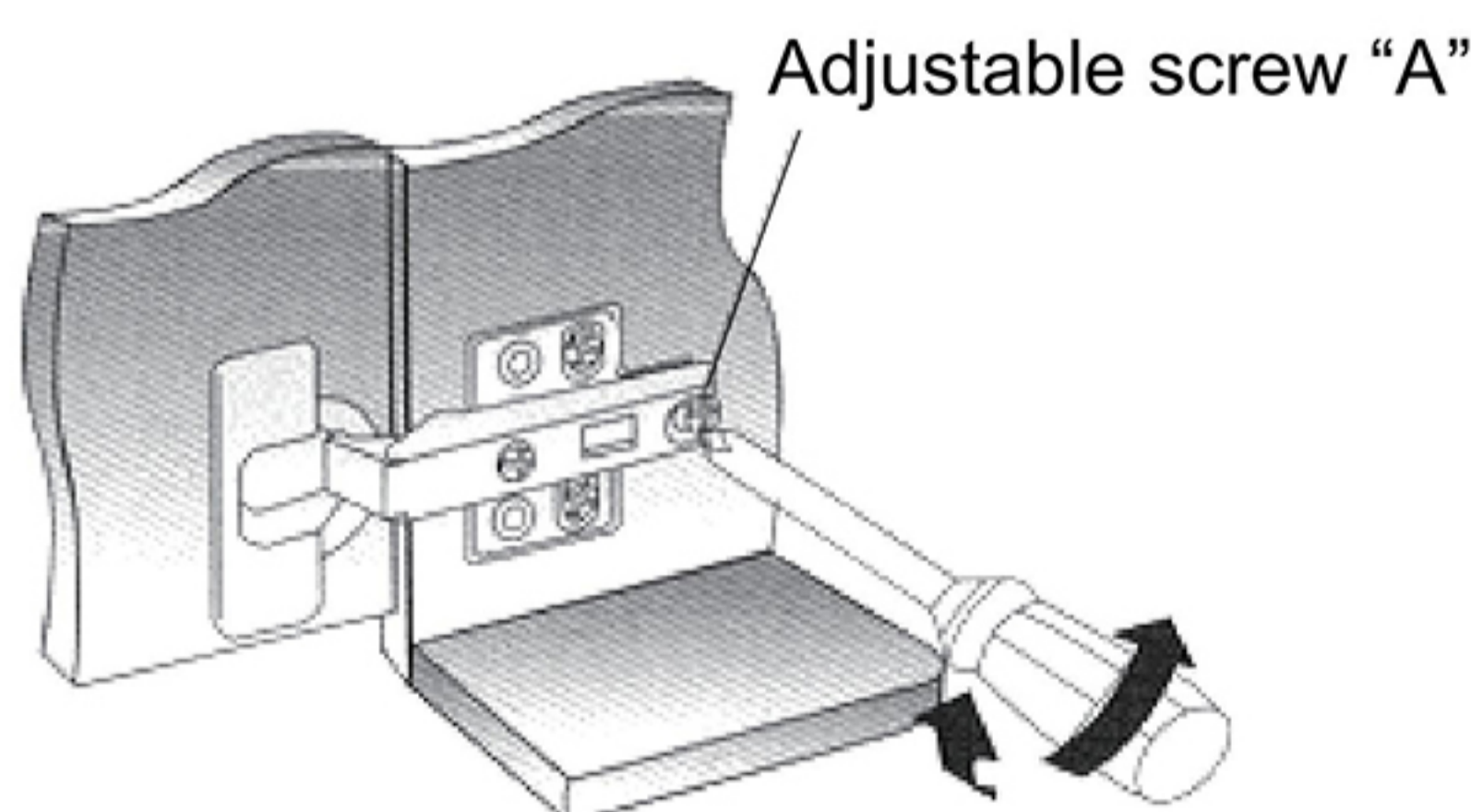
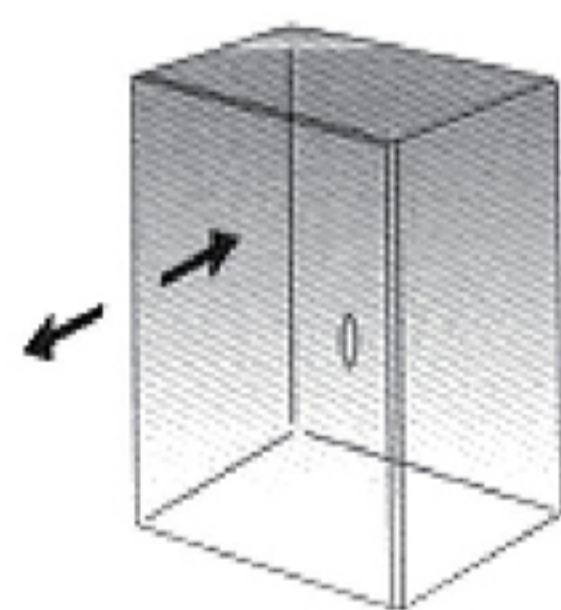
Installation of cabinet doors and handles.



Tapping screw (lock the oval hole screws inside first to adjust the upper gap, after positioning, then lock the two screws at the front) Serew the screws on the hinge to get the doors perfectly fit.

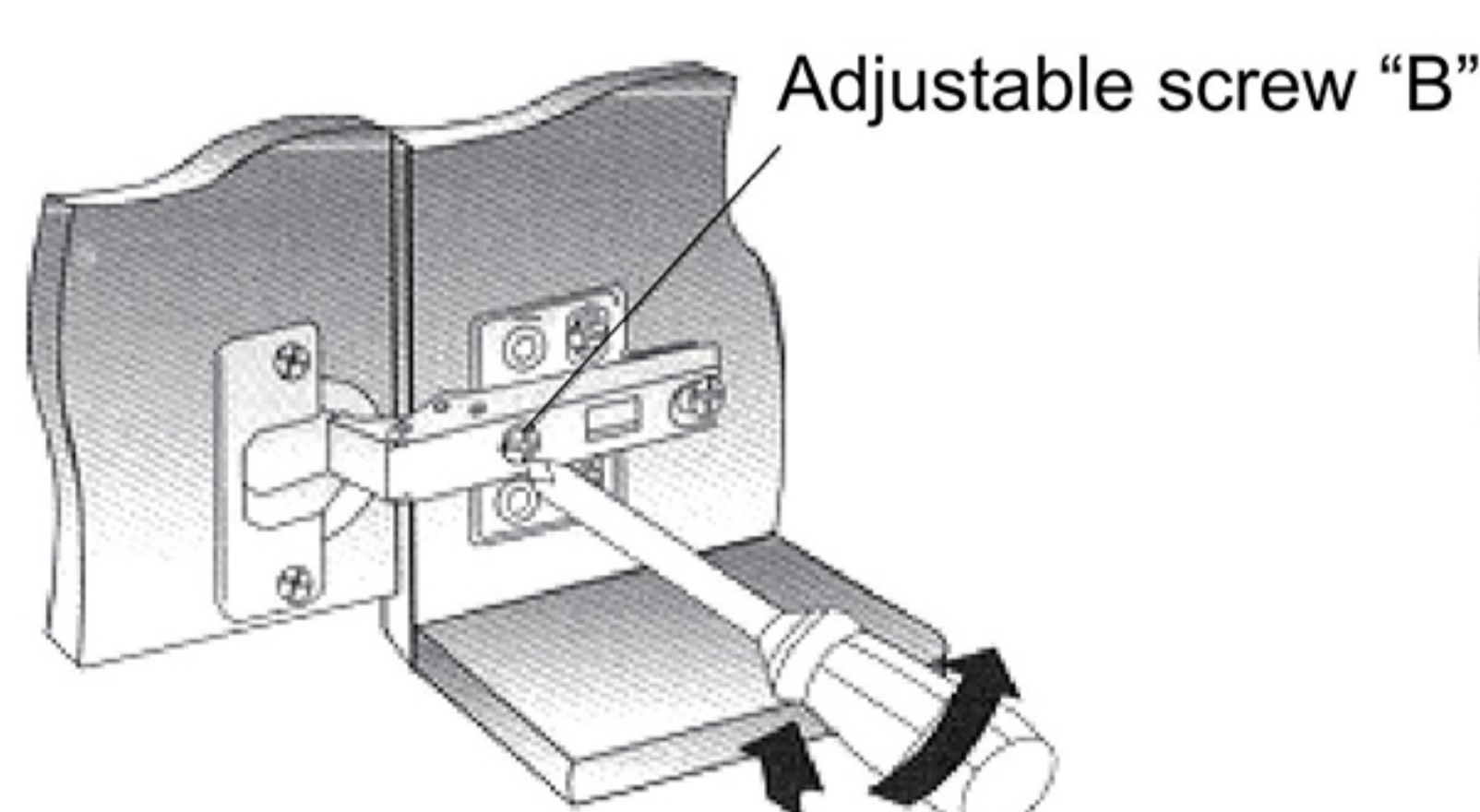
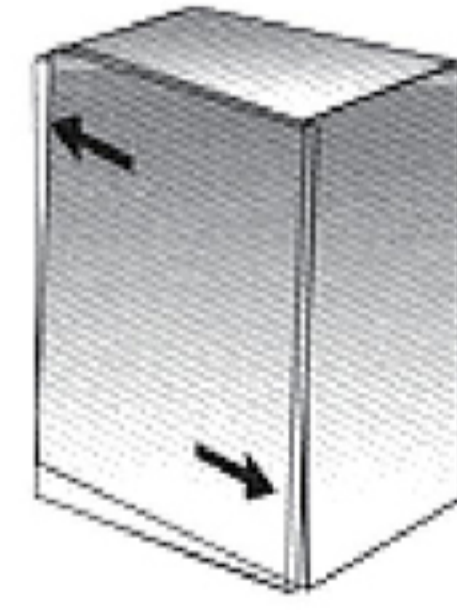
[Sketch Map For Adjusting Cabinet Door In Three Dimensions]

Inside / Outside



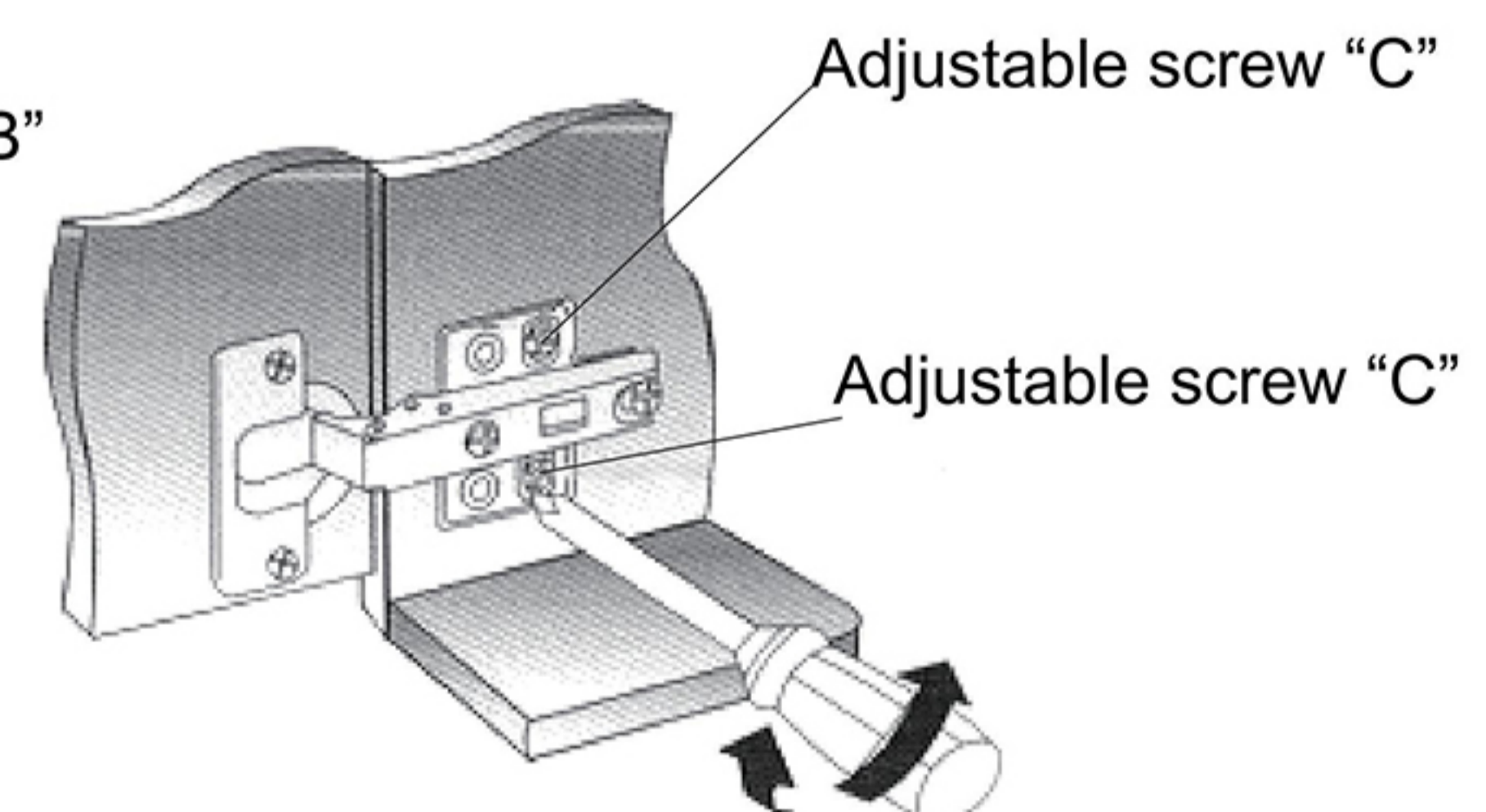
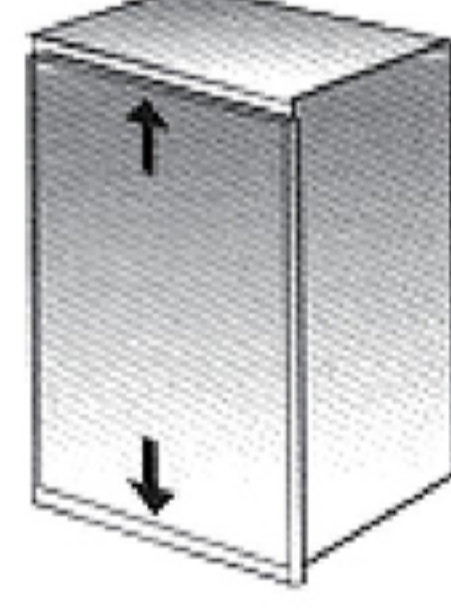
Front and rear adjustment in three dimensions. The clearance between door board and cabinet side board can be changed only by adjusting screw "A"

Left / Right



Adjustable screw "B"
Left and right adjustment in three dimensions

Up / Down

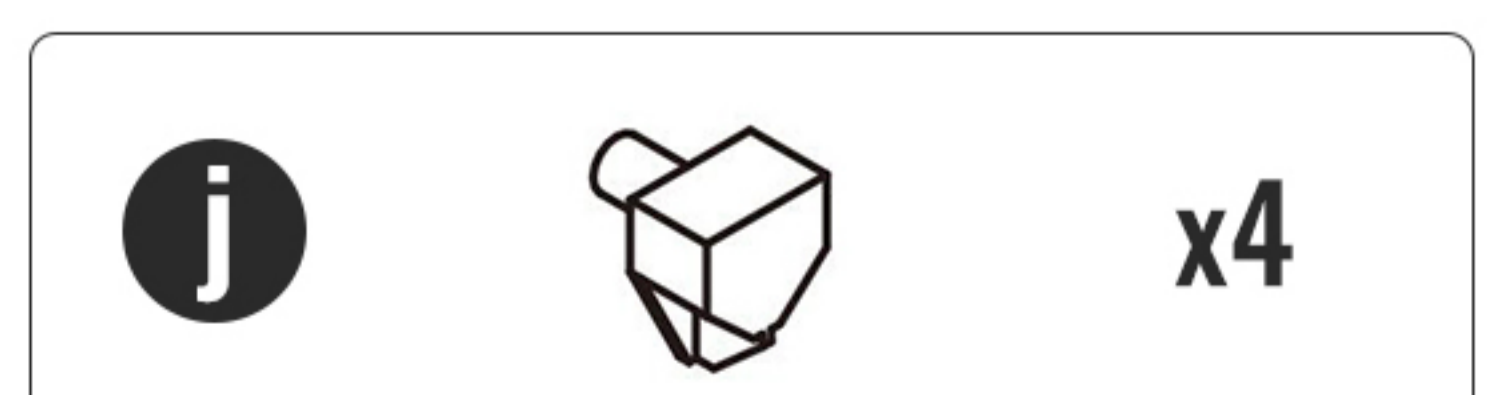
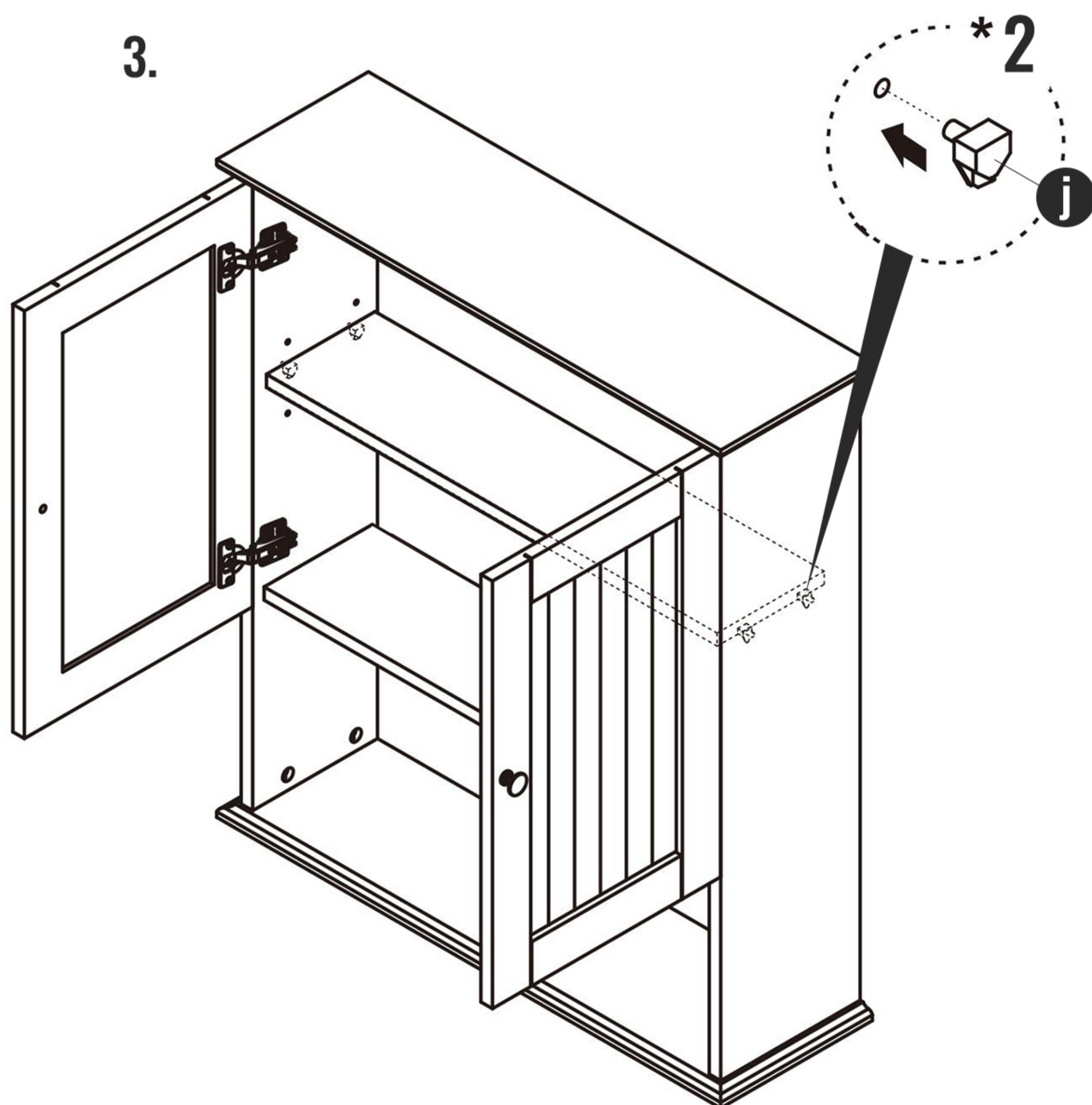
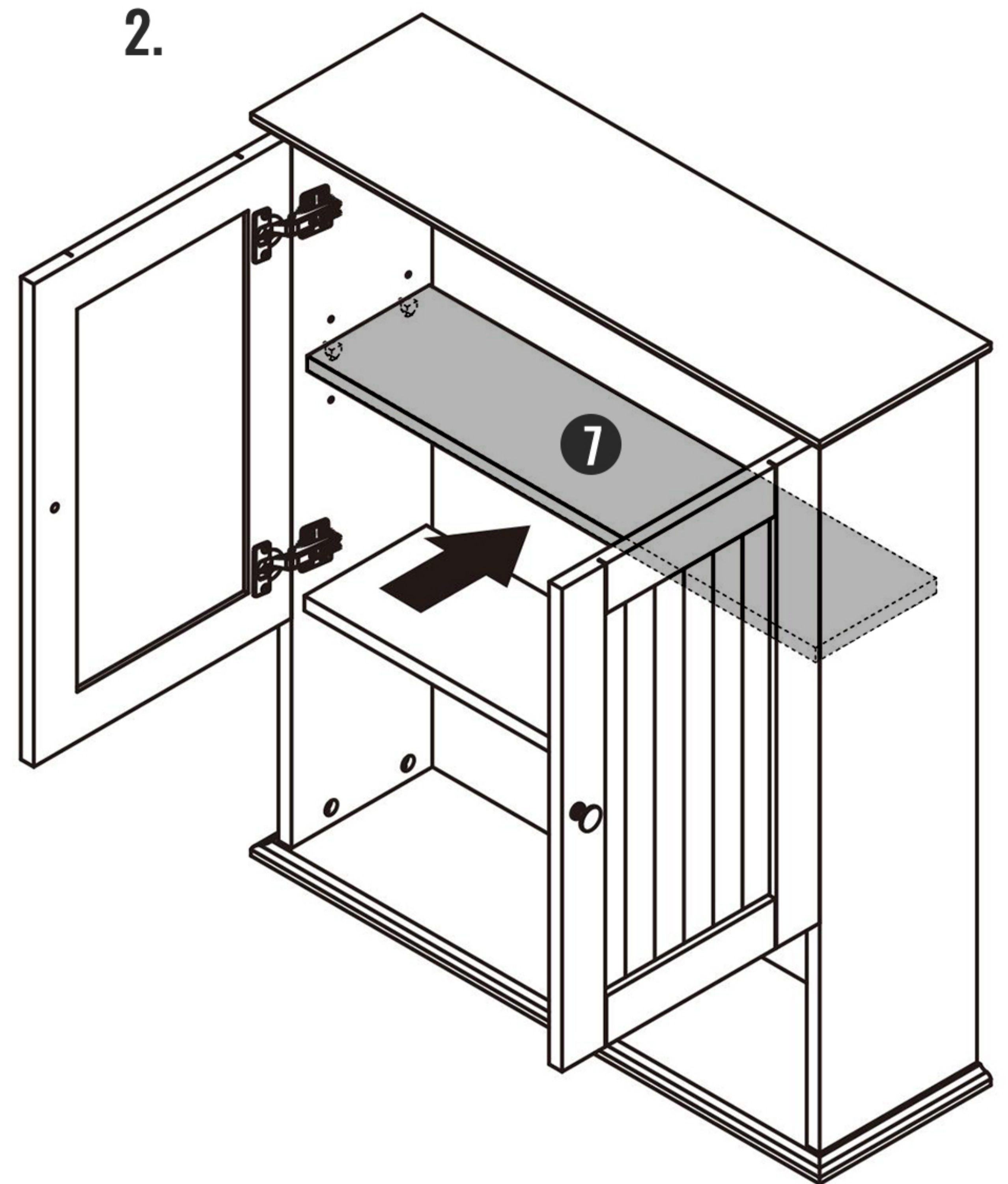
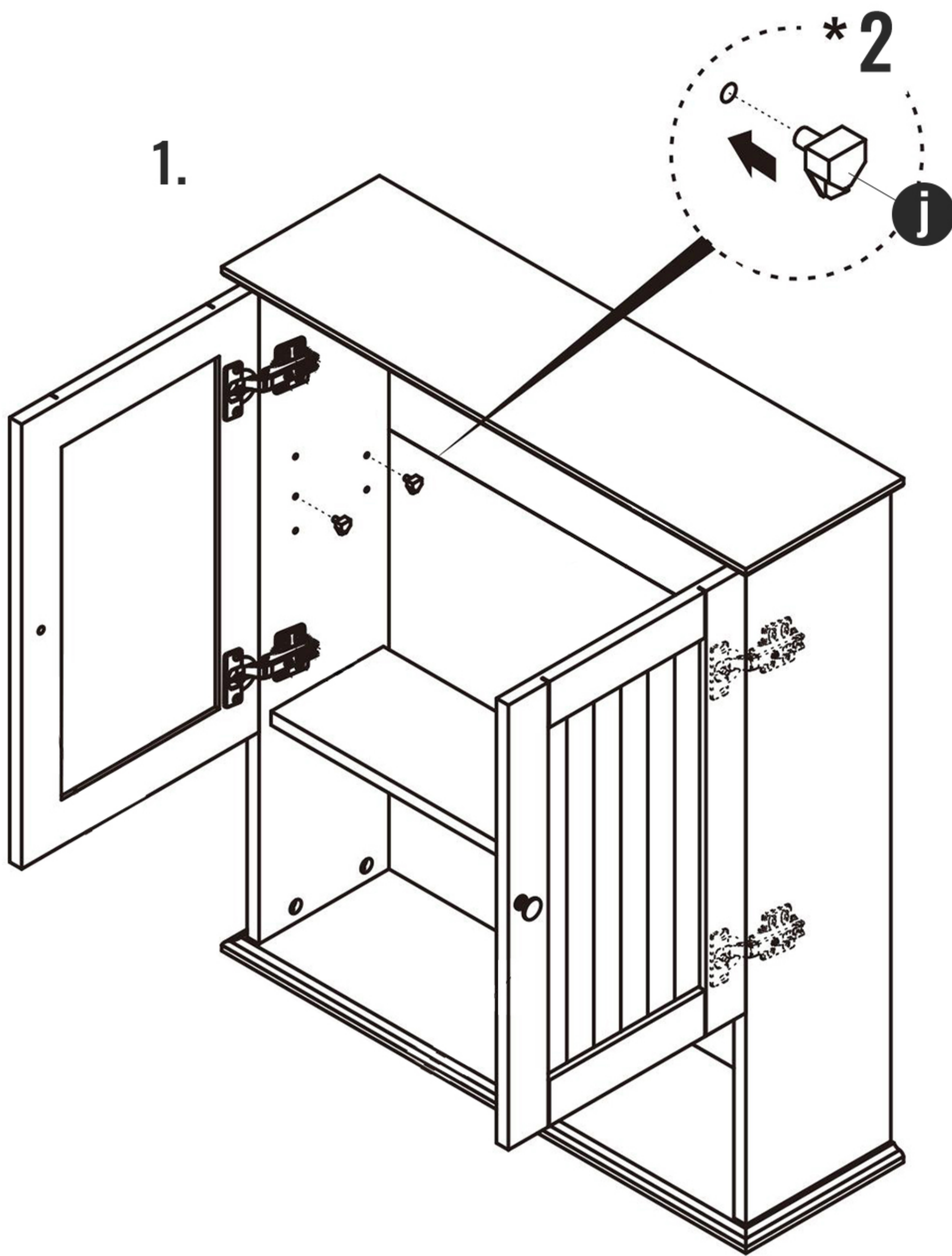


Vertical adjustment in three dimensions
Verticality and clearance between top and bottom can be comected by adjusting screw "C" on hinge base board.

Installation Instructions

10

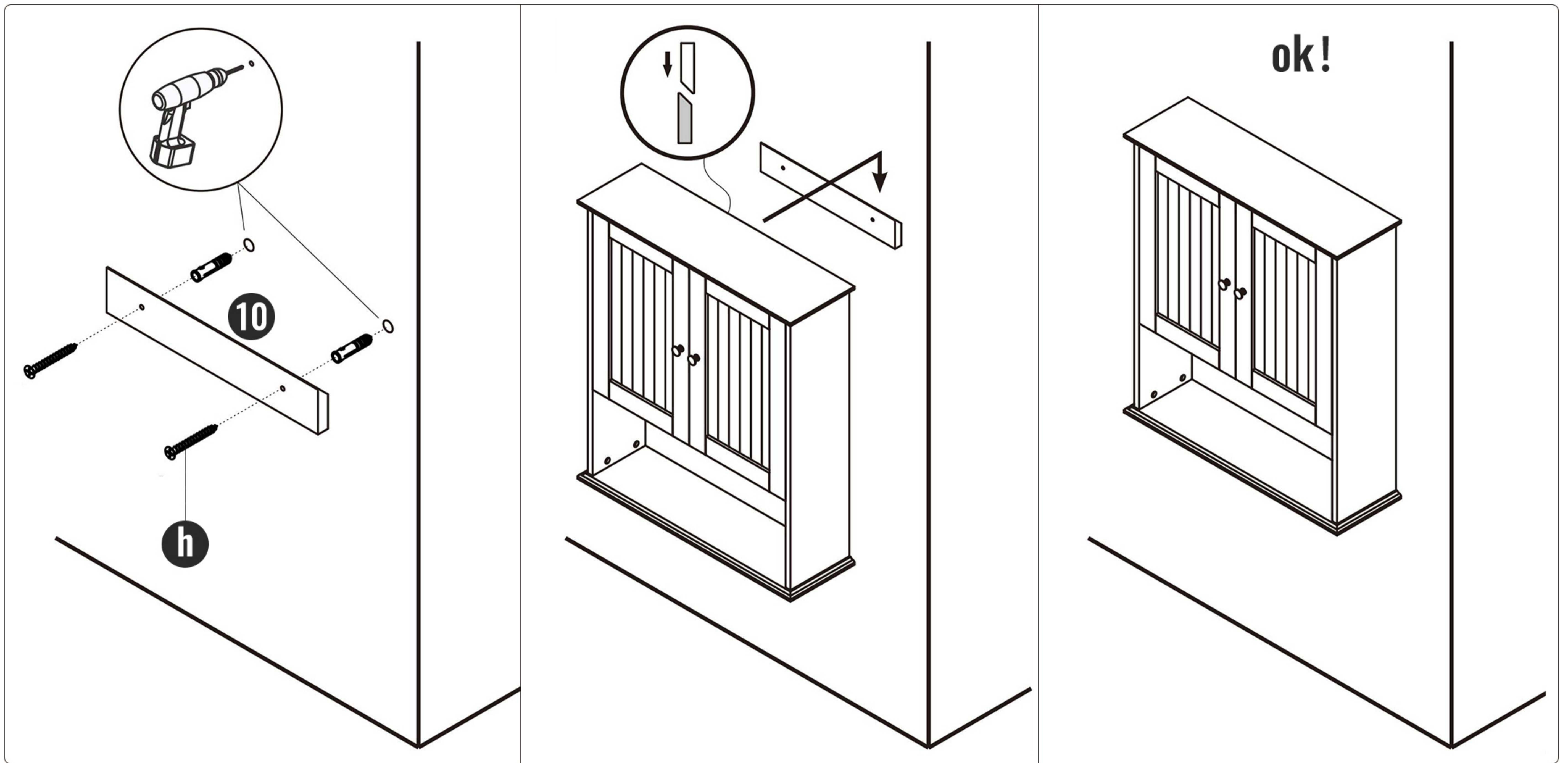
Install the Panel supports **j** on the cabinet, and put shelf **7** onto the Panel supports.



Installation Instructions

- 11** Determine the desired mounting location, Fix the Wall Cleat on the wall and install the cabinet.

Note: Pay attention to the direction of the hanging panel (beveled edge upwards).



Care and Maintenance

- Cleaning with a dry cloth may be sufficient.
- For other stains or marks, wipe gently with a damp cloth.
- Do not use strong detergents or abrasive cleaners; they may damage the surface of the cabinet.
- As the product is sealed during transportation, please open the cabinet for several days after receiving the goods to ventilate the smell.