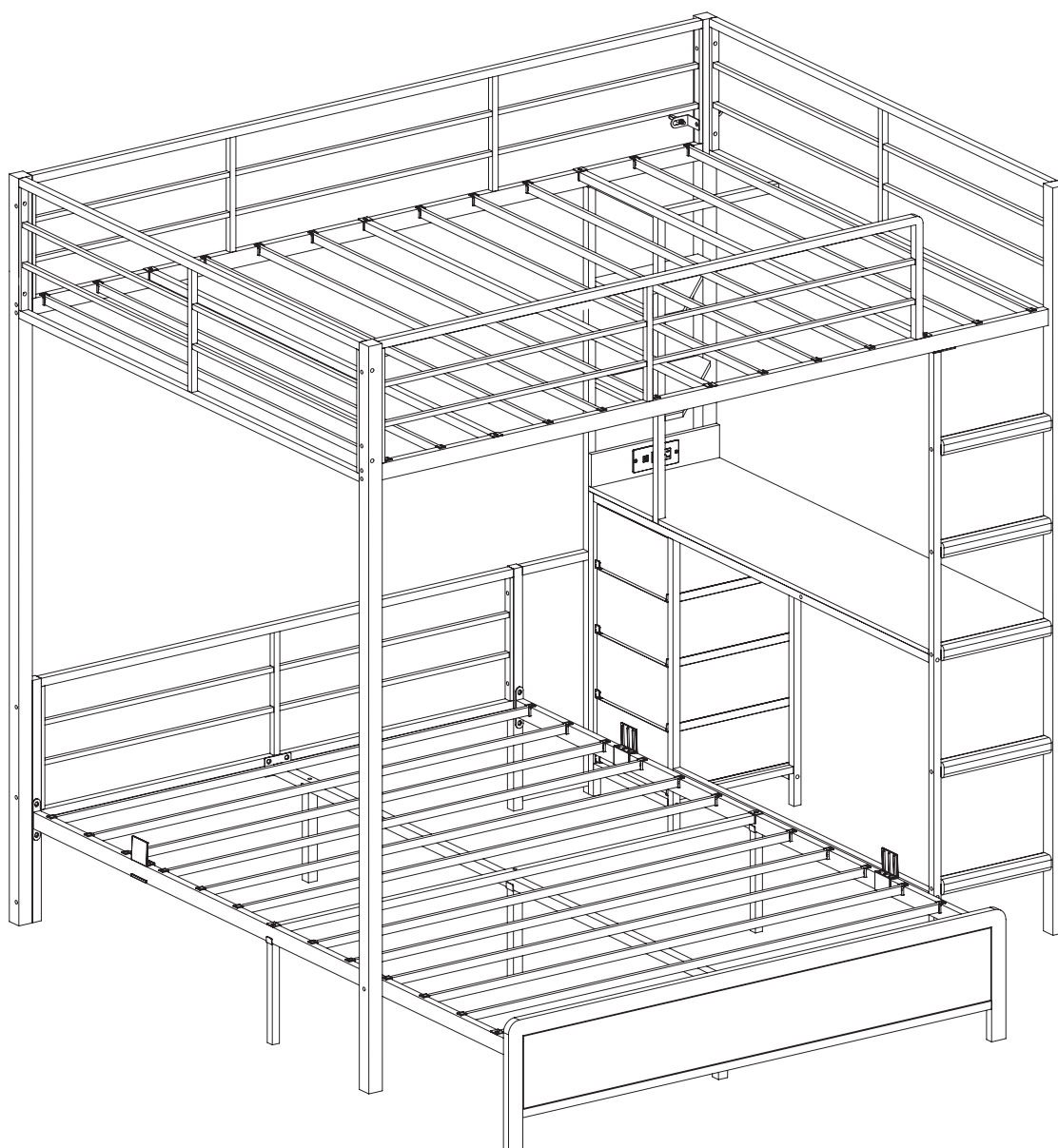
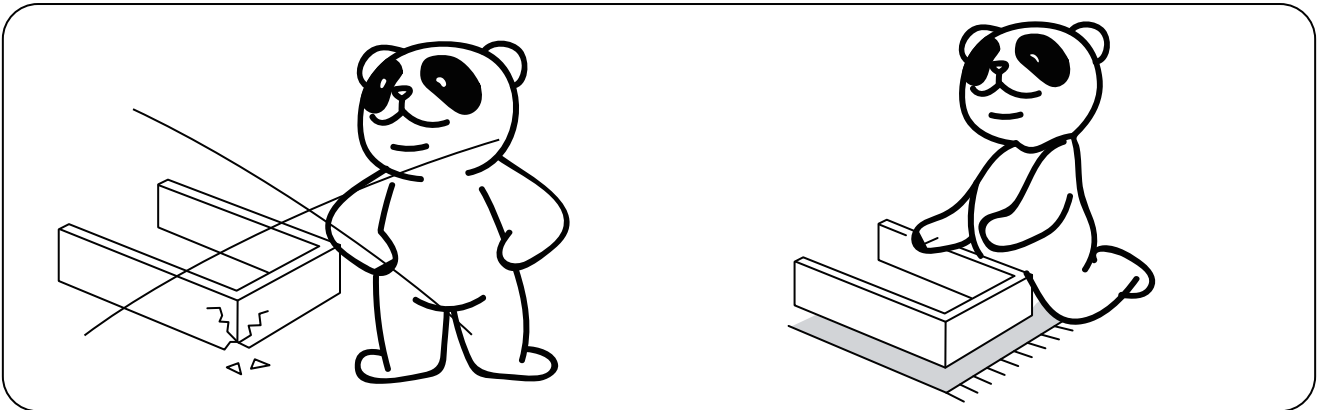
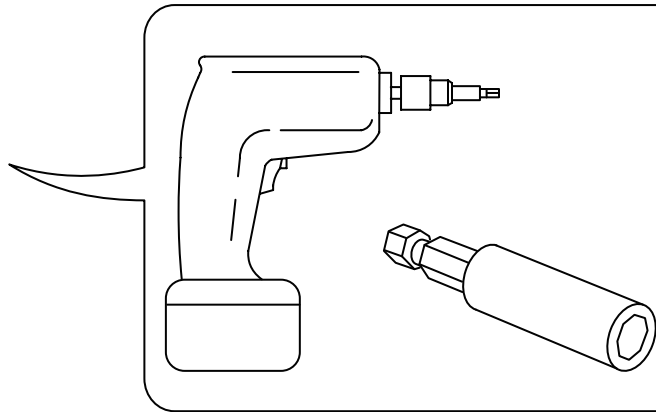


# Installation & Assembly

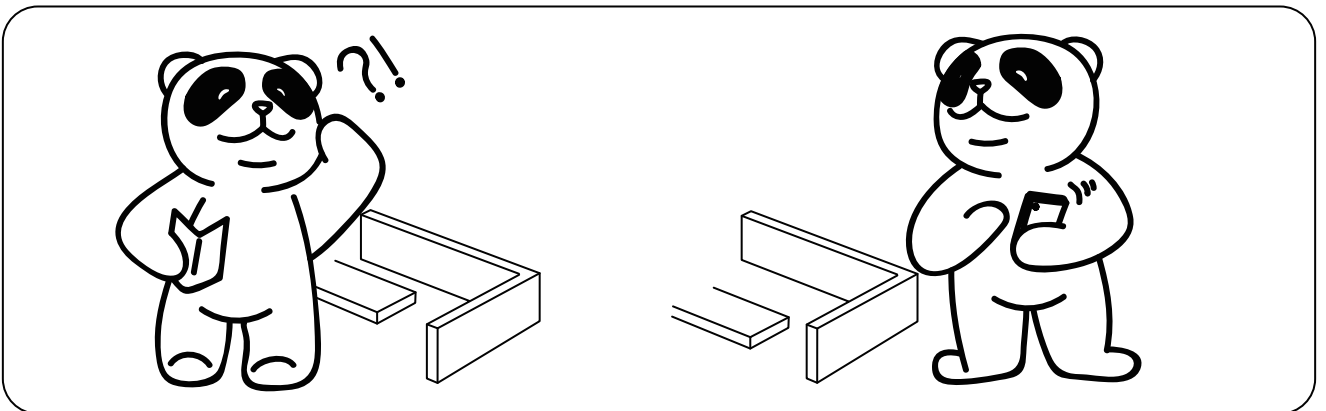


Attention, please fix the bed to the wall, otherwise there is a risk of overturning.

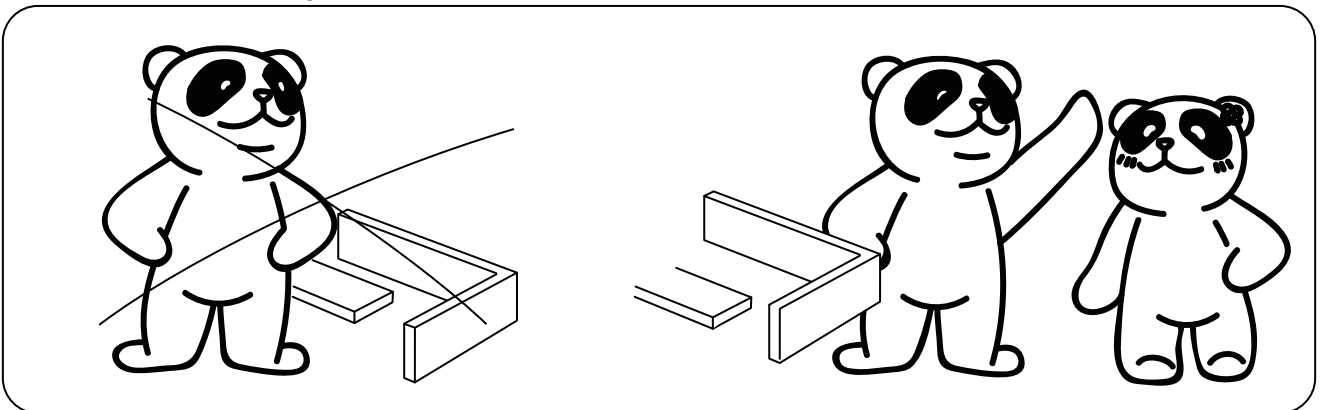




Violent installation is prohibited

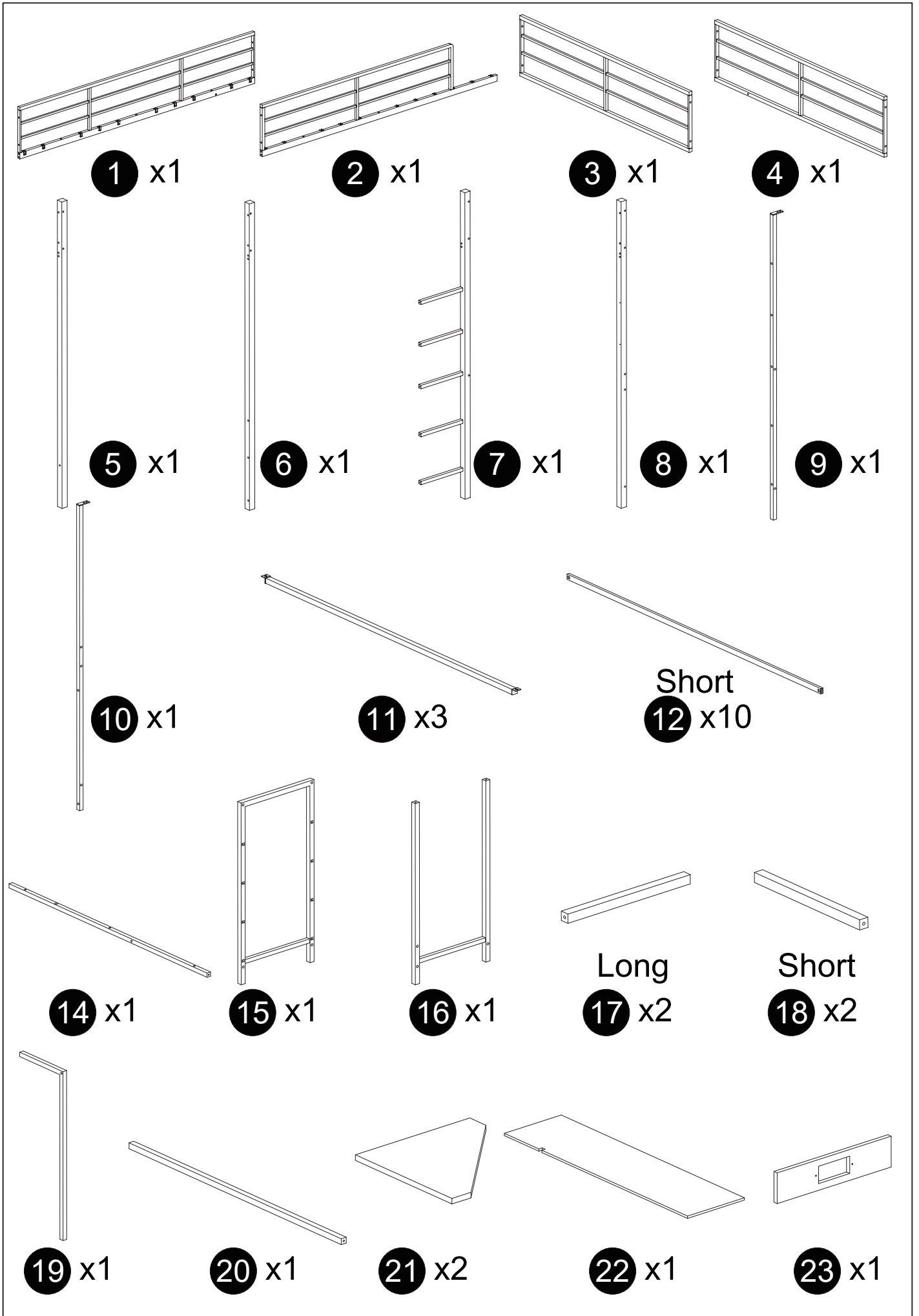


Please call if you need help



Multi-person cooperation is recommended

# Assembly Instruction



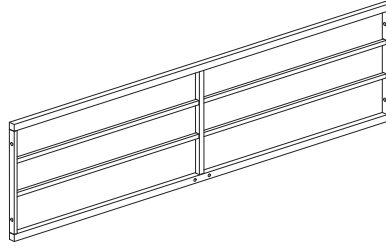
# Assembly Instruction



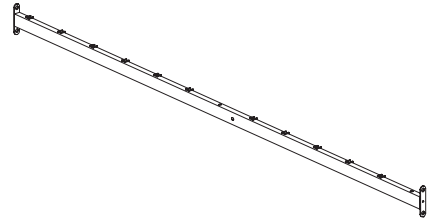
**24** x1



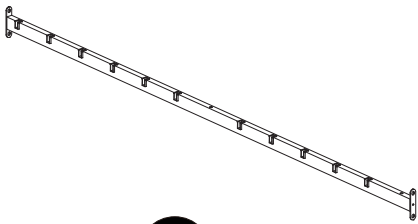
**25** x1



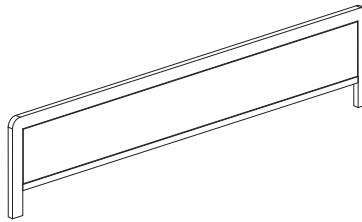
**26** x1



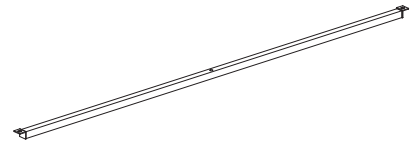
**27** x1



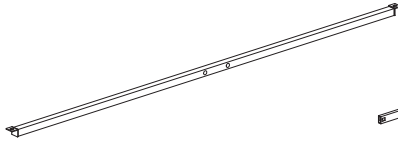
**28** x1



**29** x1



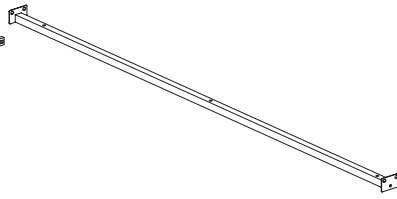
**30** x1



**31** x1



Long  
**32** x11



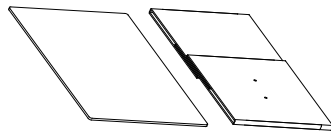
**33** x1



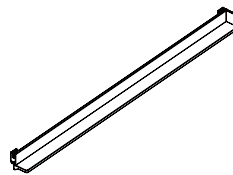
Long  
**34** x3



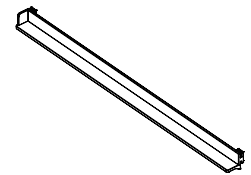
Short  
**35** x2



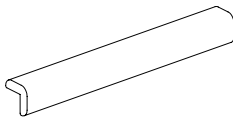
**36** x4



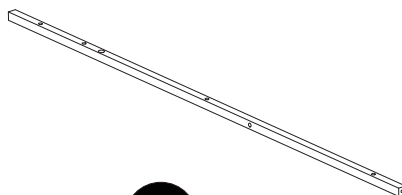
**37** x4



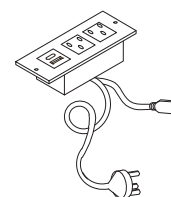
**38** x4



**39** x5

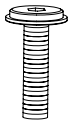


**40** x1



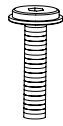
**41** x1

# Assembly Instruction



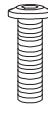
**A**

M8\*55  
X11+1



**B**

M6\*55  
X3+1



**C**

M6\*40  
X25+2



**D**

M6\*30  
X11+1



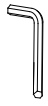
**E**

M6\*20  
X29+2



**F**

M6\*40  
X12+1



**G**

M3  
X1



**H**

M4  
X2



**I**

M6\*12  
X4+1



**J**

M8\*20  
X12+1



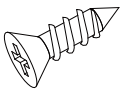
**K**

M4\*10  
X8+1



**L**

M6\*28  
X13+1



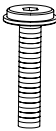
**M**

M3\*12  
X2+1



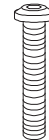
**N**

M5  
X1



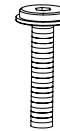
**O**

M6\*48  
X4+1



**P**

M6\*65  
X2+1



**Q**

M6\*45  
X1



**R**

M6\*10  
X12+1



**S**

M8\*35  
X2+1



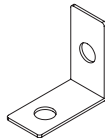
**T**

X3



**U**

X1



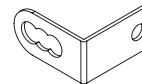
**V**

X6



**W**

X4



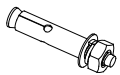
**X**

X2



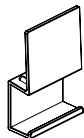
**Y**

X1



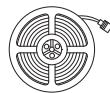
**Z**

X2



**A1**

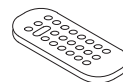
X3



light strip

**A2**

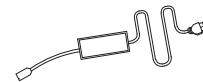
X1



Power cord

**A3**

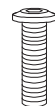
X1



Remote control

**A4**

X1



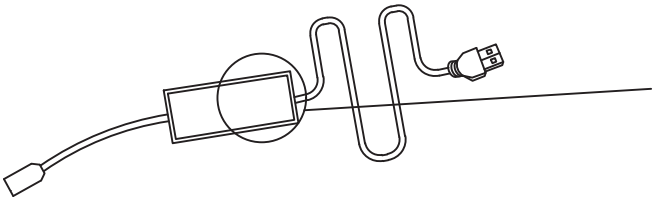
**A5**

M6\*35

X2+1

# Assembly Instruction

## LED light strip electronic accessories list



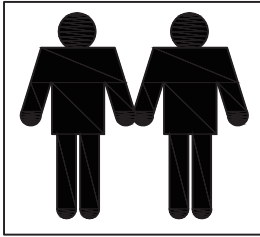
x1

Power cord

# Assembly Instruction

**Note:**

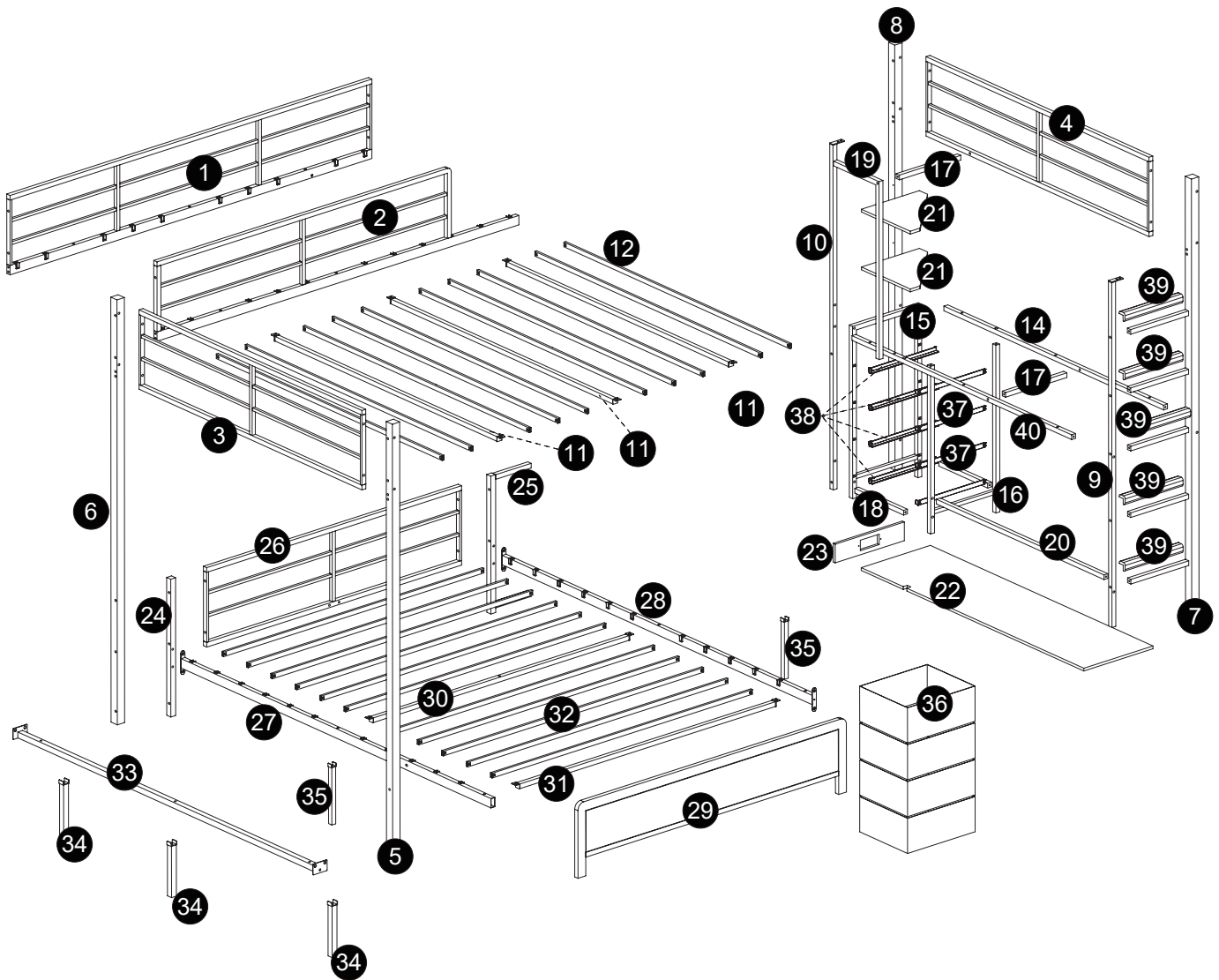
1. Should be assembled on flat ground to keep balance.
2. Before completing the installation, do not tighten the screws.



**It needs at least two people to install !!**



**Before starting the assembly, you must read the whole manual and follow the instructions**



# Assembly Instruction

1

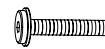


Be careful not to overtighten the screws.

E M6\*20



X4

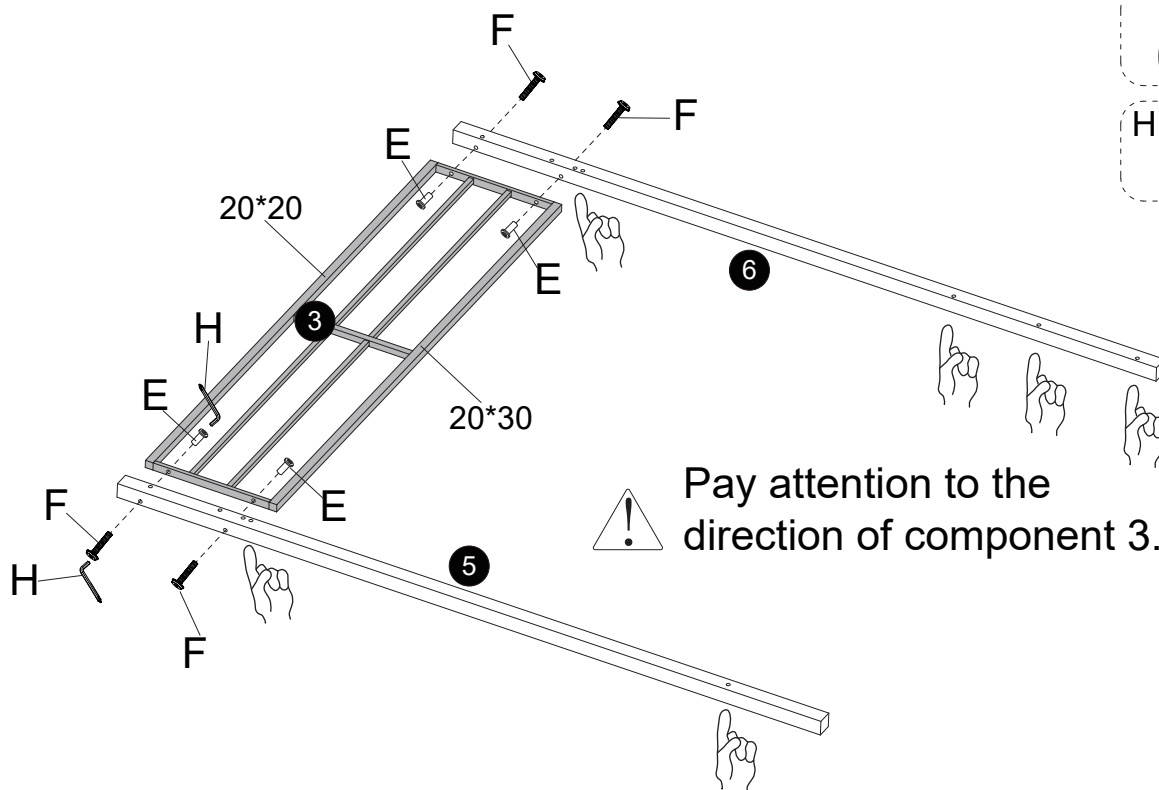


X4

H M4



X2



2

C M6\*40

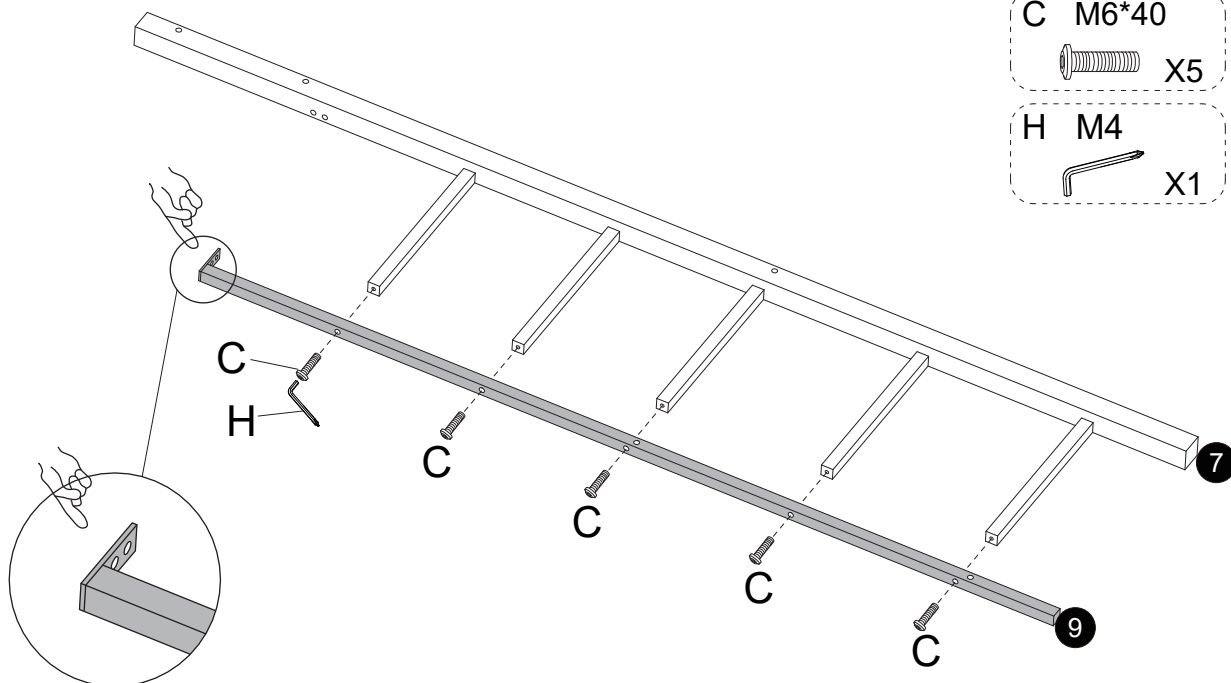


X5

H M4



X1






Pay attention to the installation direction.

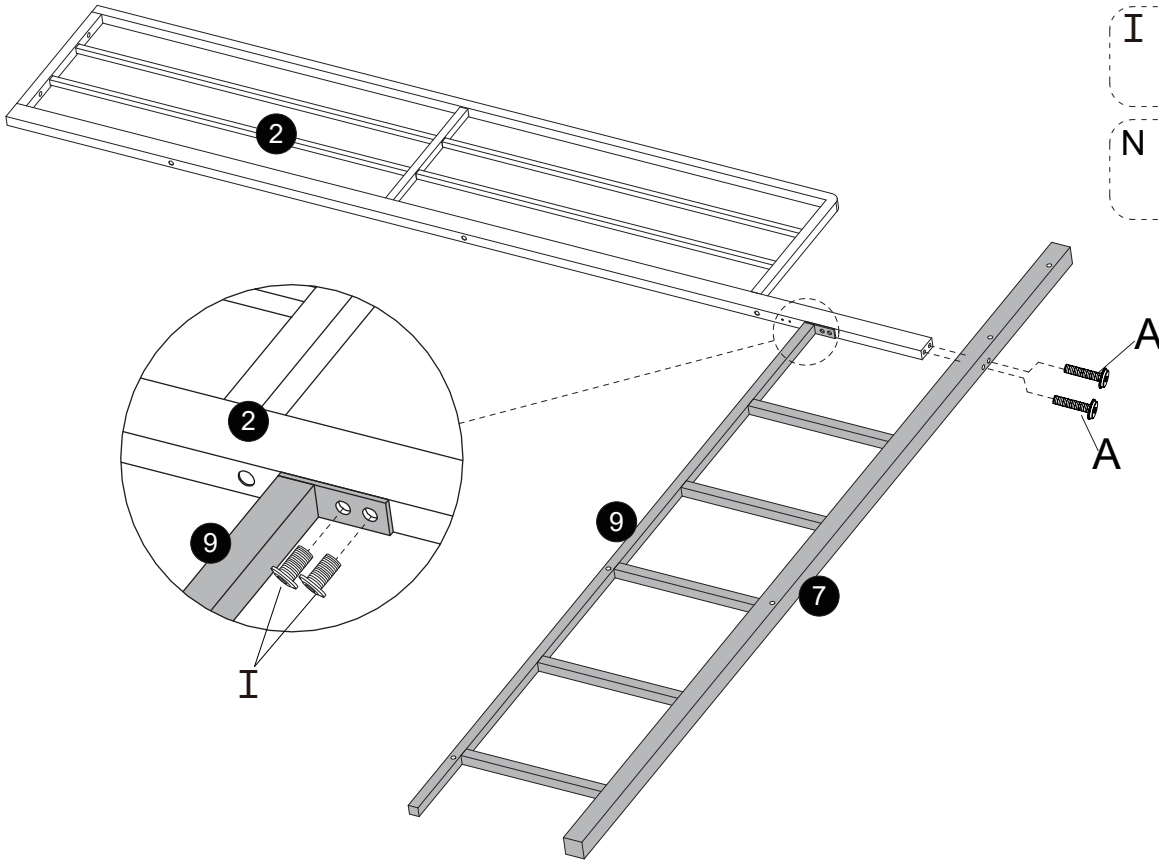
# Assembly Instruction

3






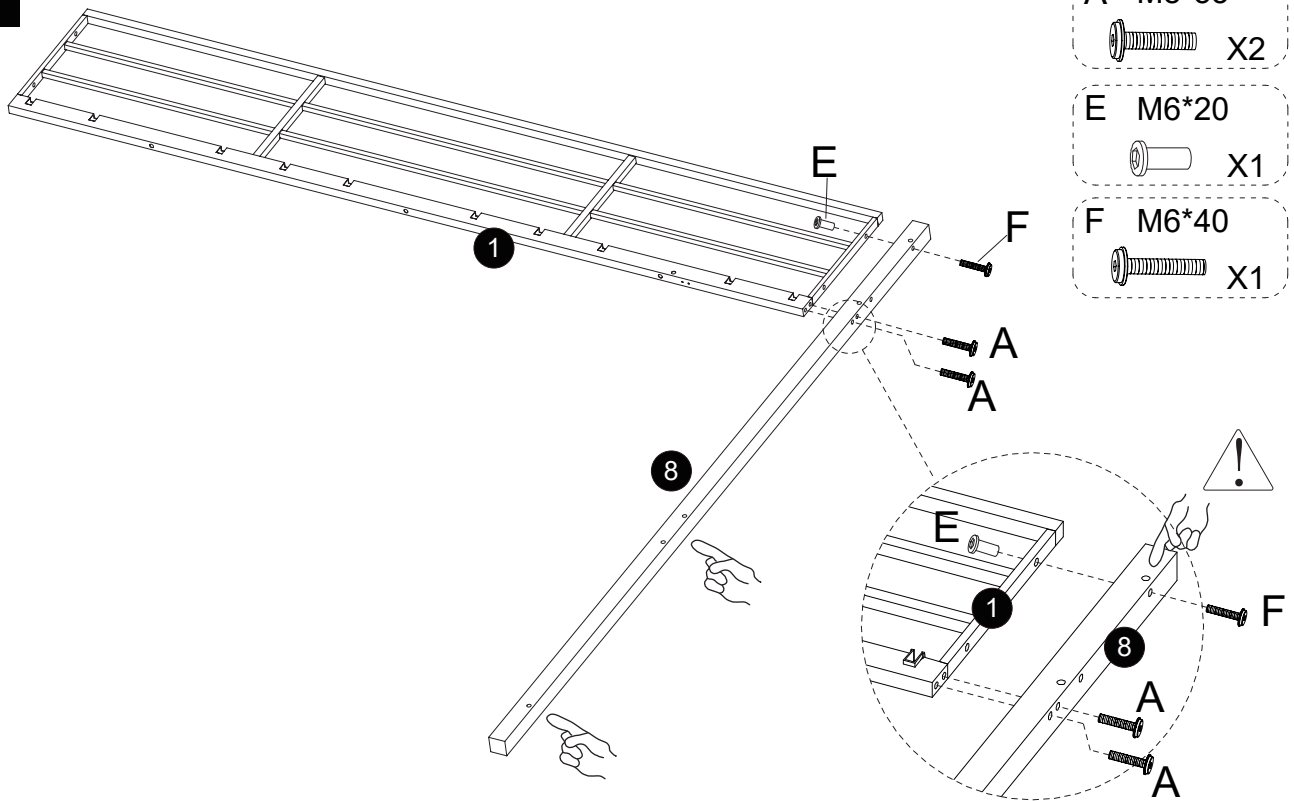
Be careful not to overtighten the screws.

- A M8\*55  
 X2
- I M6\*12  
 X2
- N M5  
 X1



4

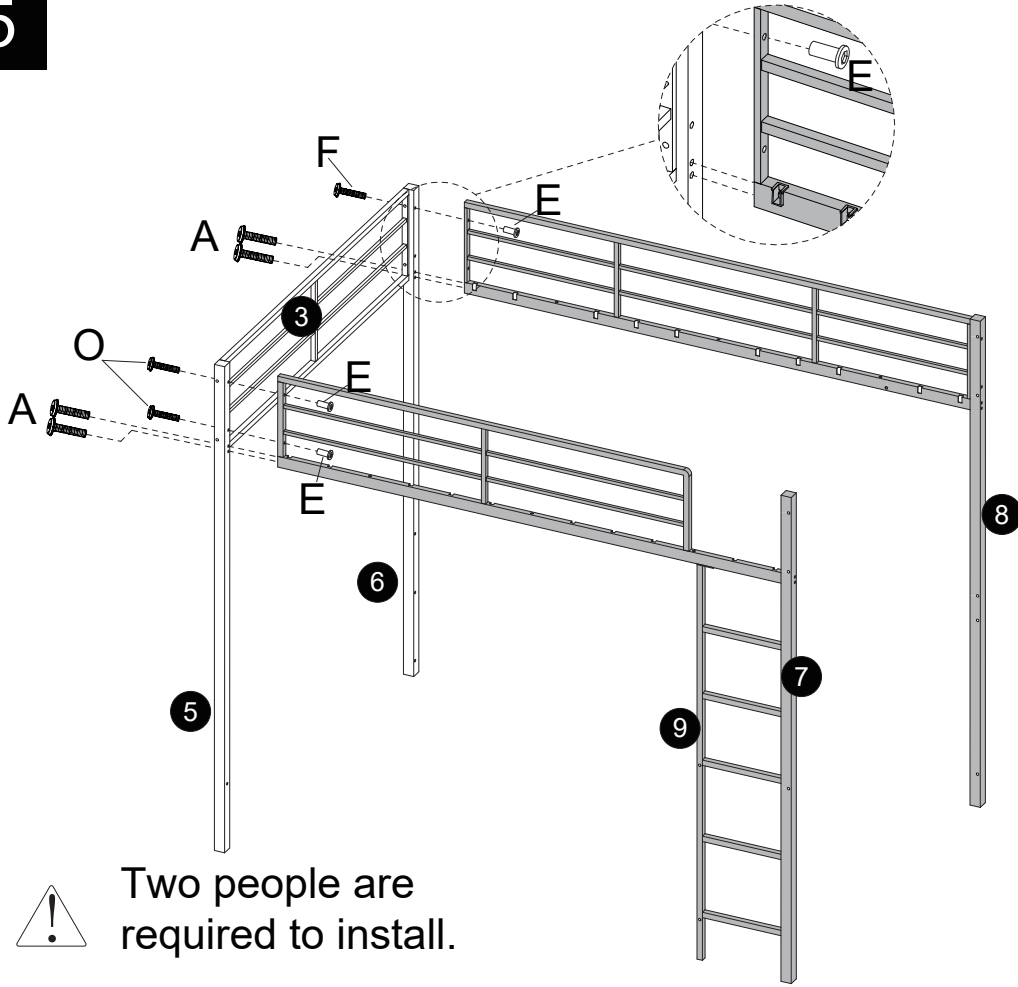
- A M8\*55  
 X2
- E M6\*20  
 X1
- F M6\*40  
 X1



Pay attention to the installation direction.

# Assembly Instruction

5

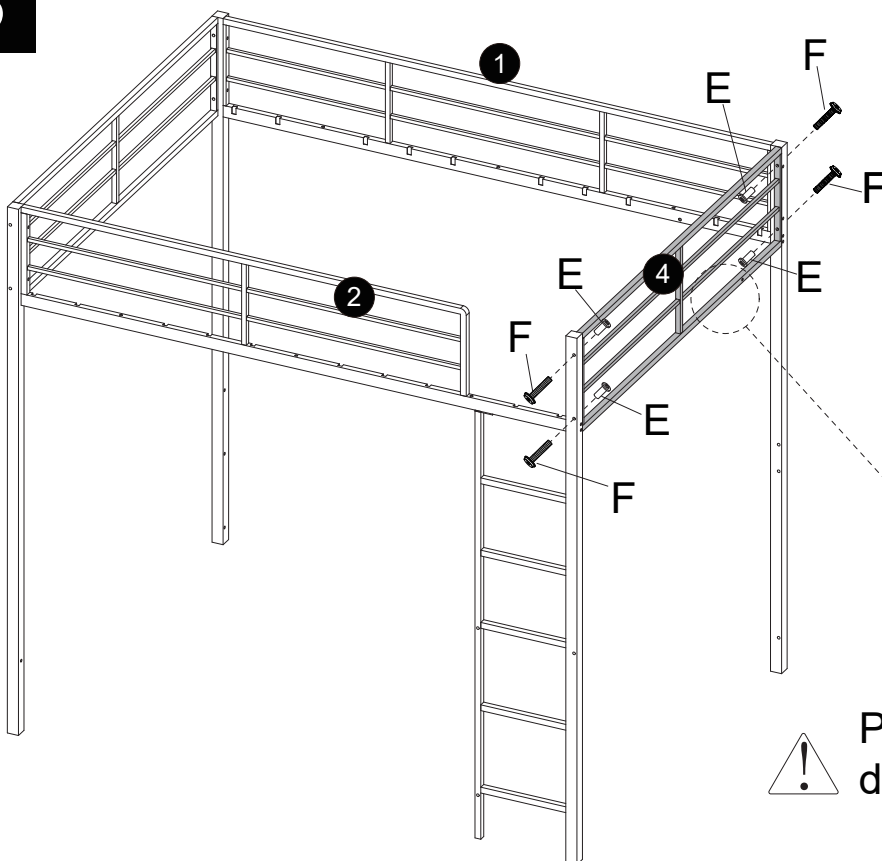


- A M8\*55 X4
- E M6\*20 X3
- F M6\*40 X1
- O M6\*48 X2



Two people are required to install.

6



- E M6\*20 X4
- F M6\*40 X4

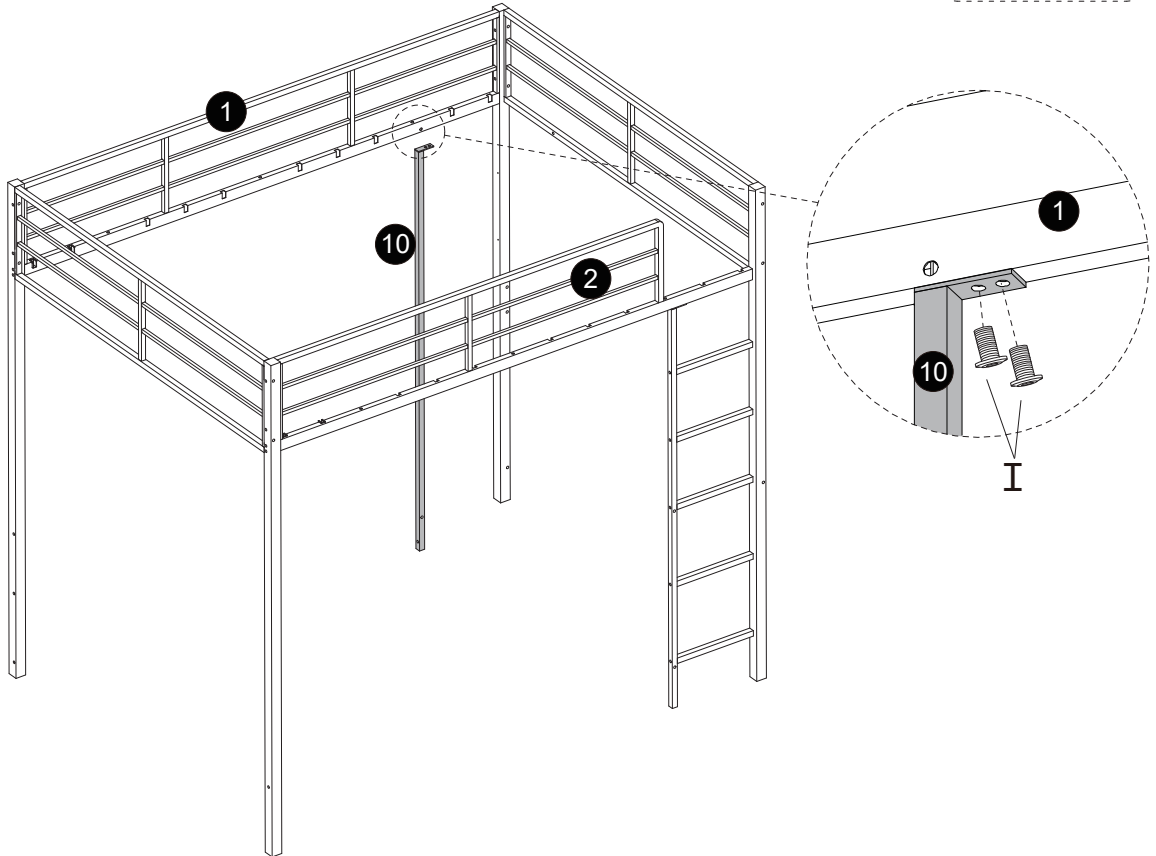


Pay attention to the direction of component 4.

# Assembly Instruction

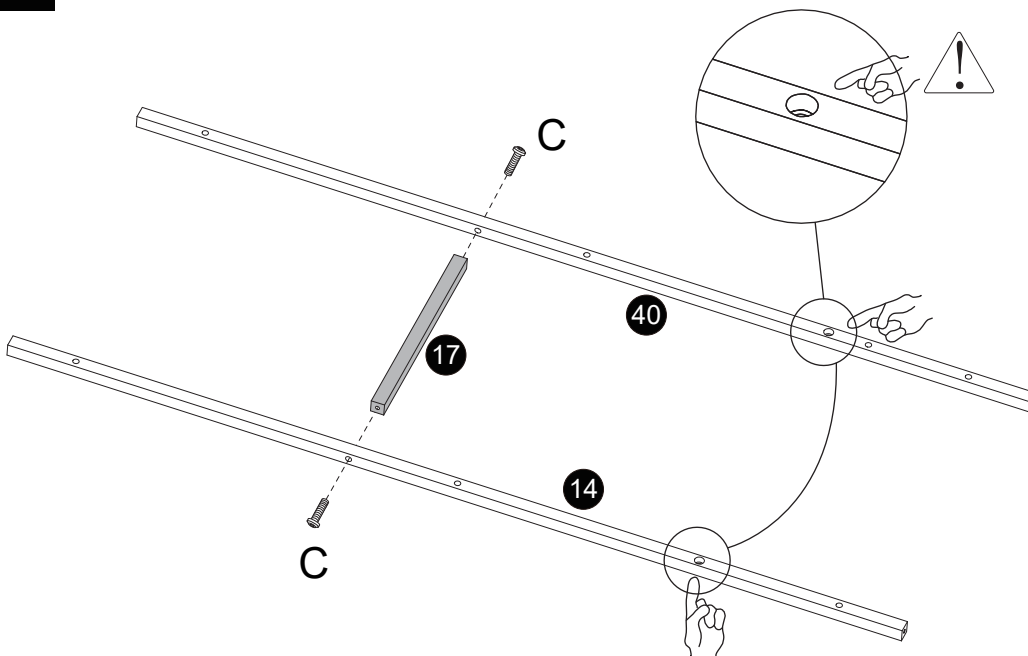
7

I M6\*12  
X2



8

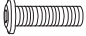
C M6\*40  
X2



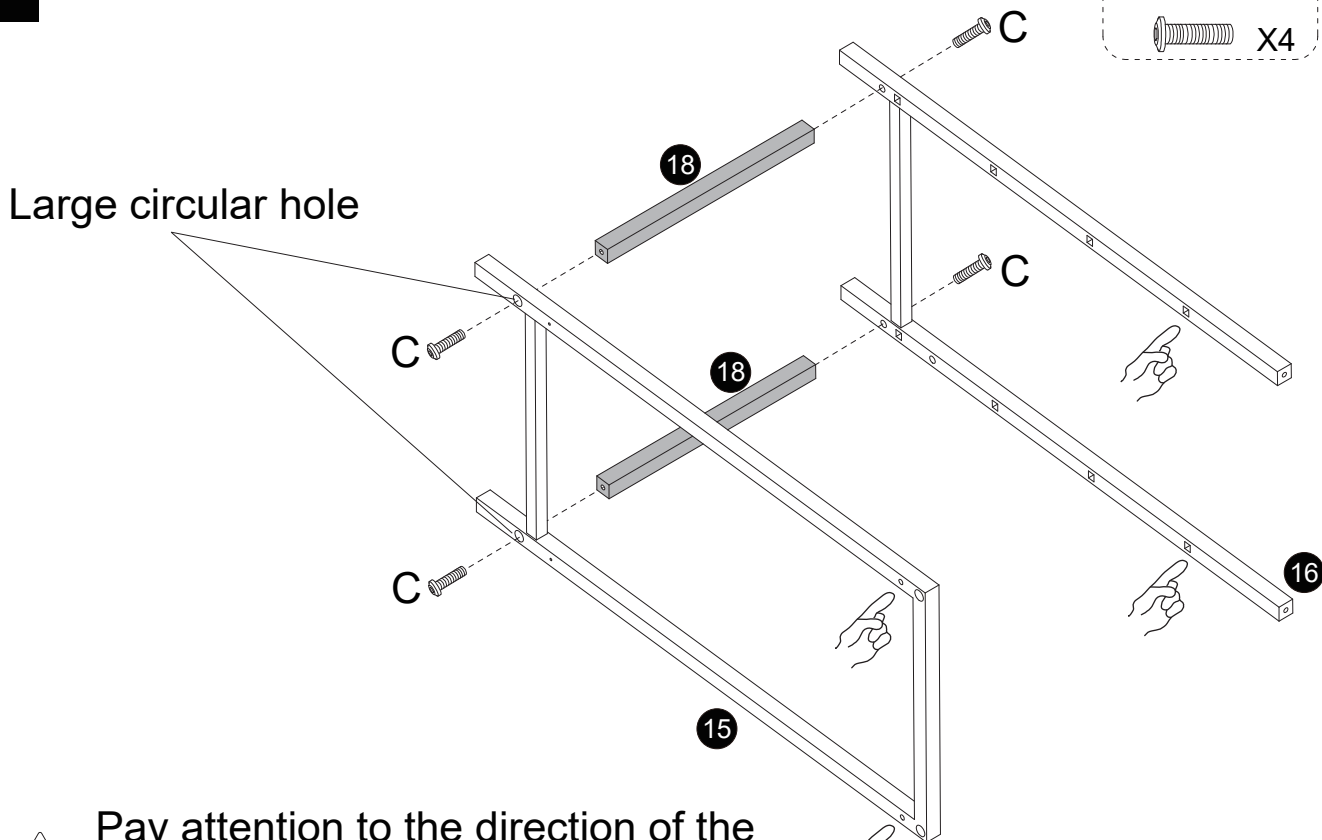
⚠ Note that the large holes of components 14 and 40 are on the same side.

# Assembly Instruction

9


C M6\*40  
 X4

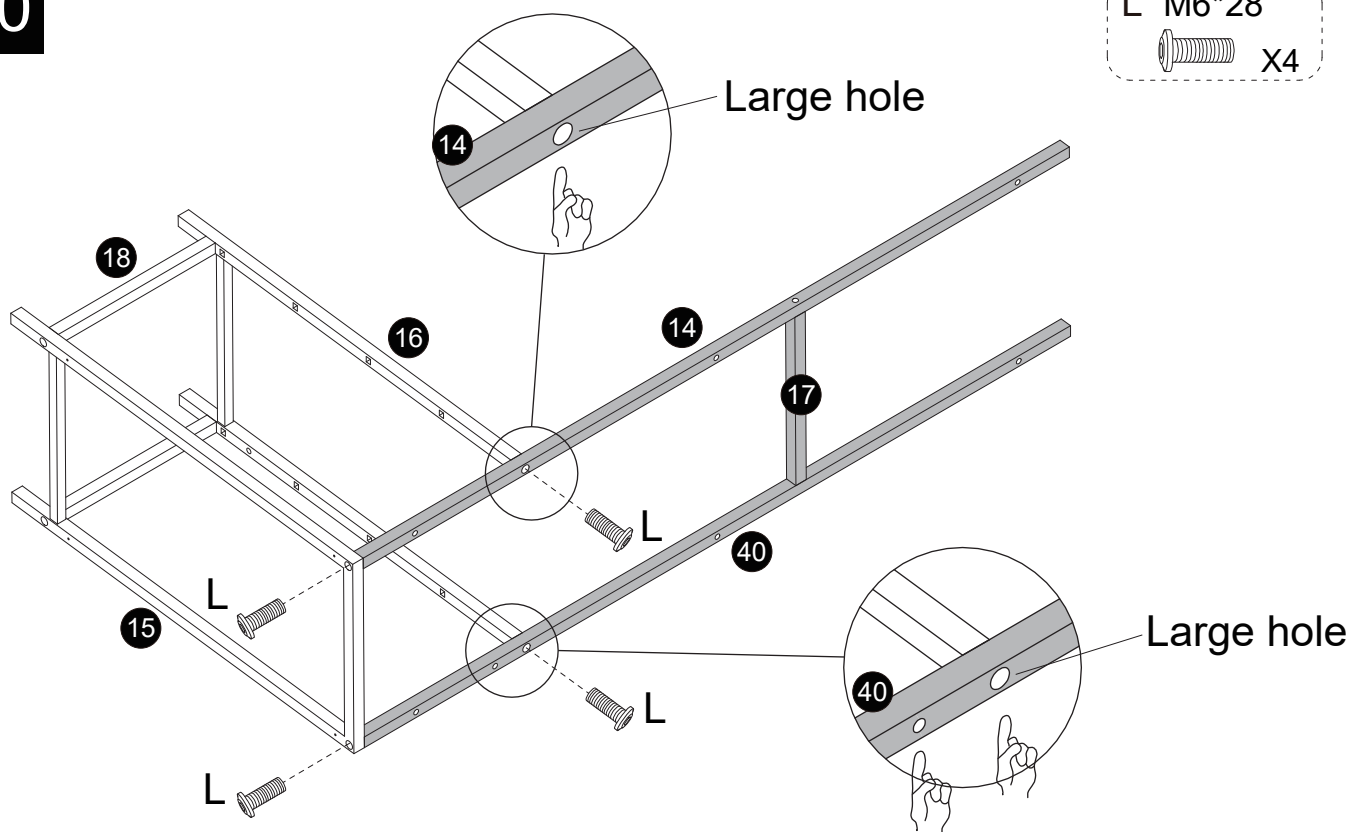
Large circular hole



! Pay attention to the direction of the 15/16 square holes, with the square holes facing inward.

10

L M6\*28  
 X4

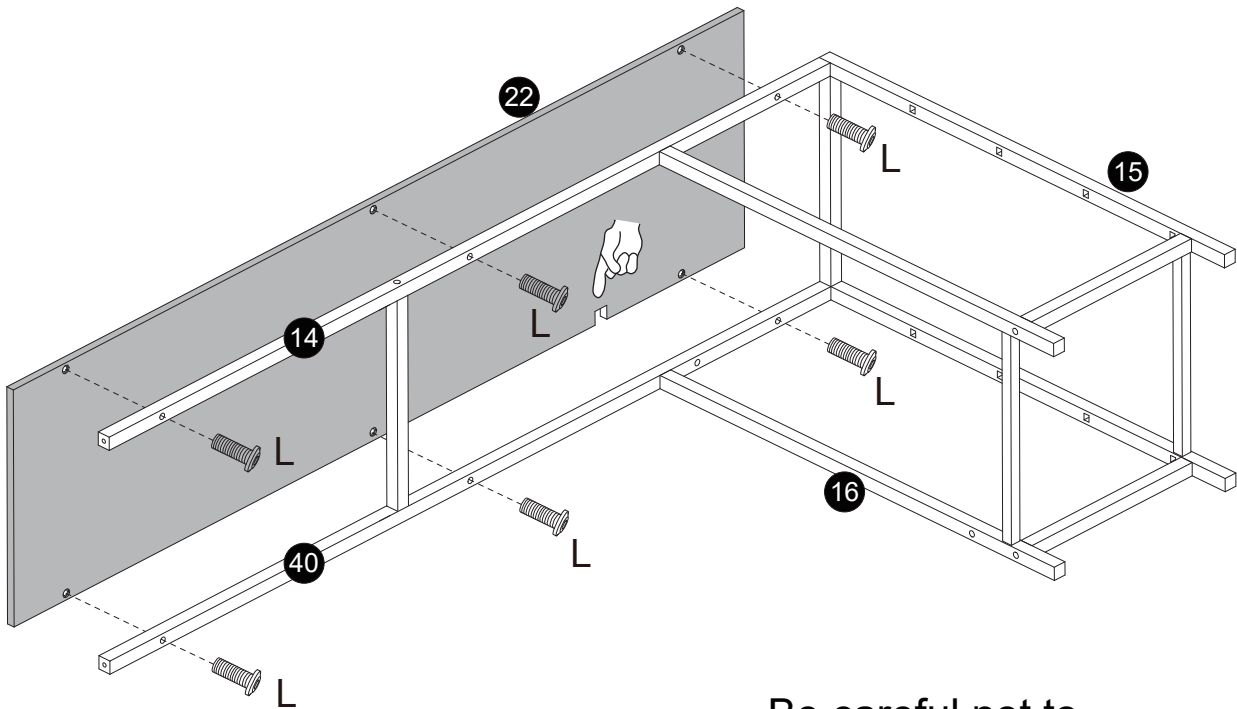


! Note that the large holes of components 14 and 40 are facing outward.

# Assembly Instruction

11

L M6\*28



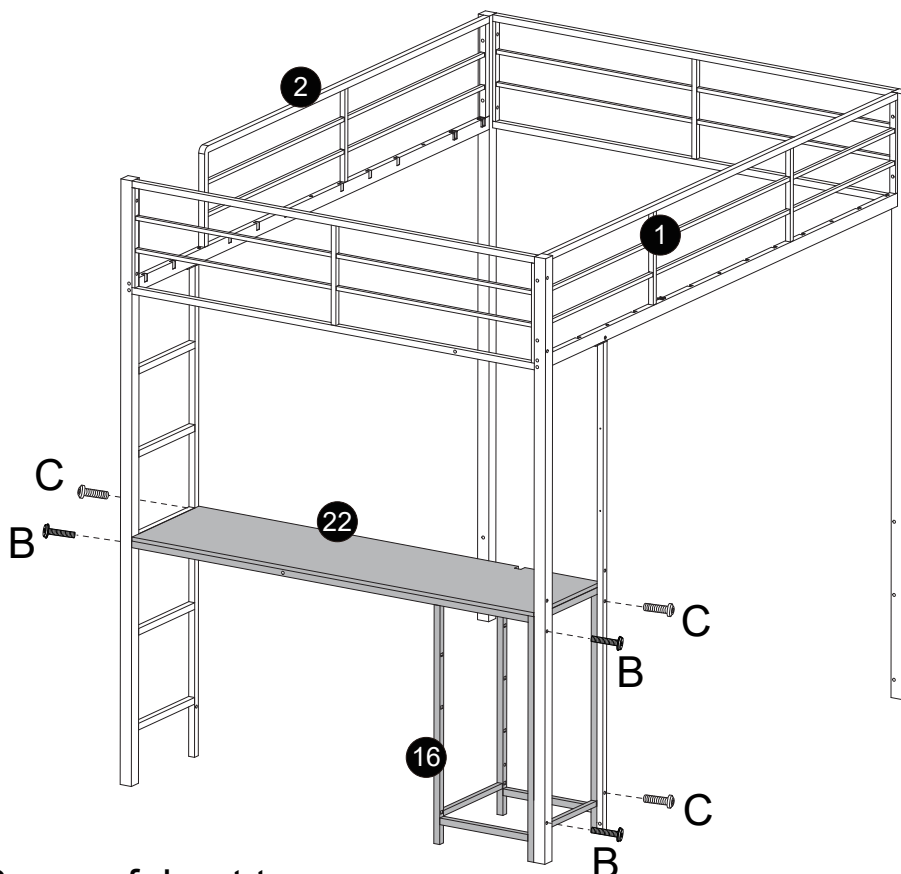
Be careful not to overtighten the screws.

12

C M6\*40



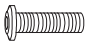
B M6\*55

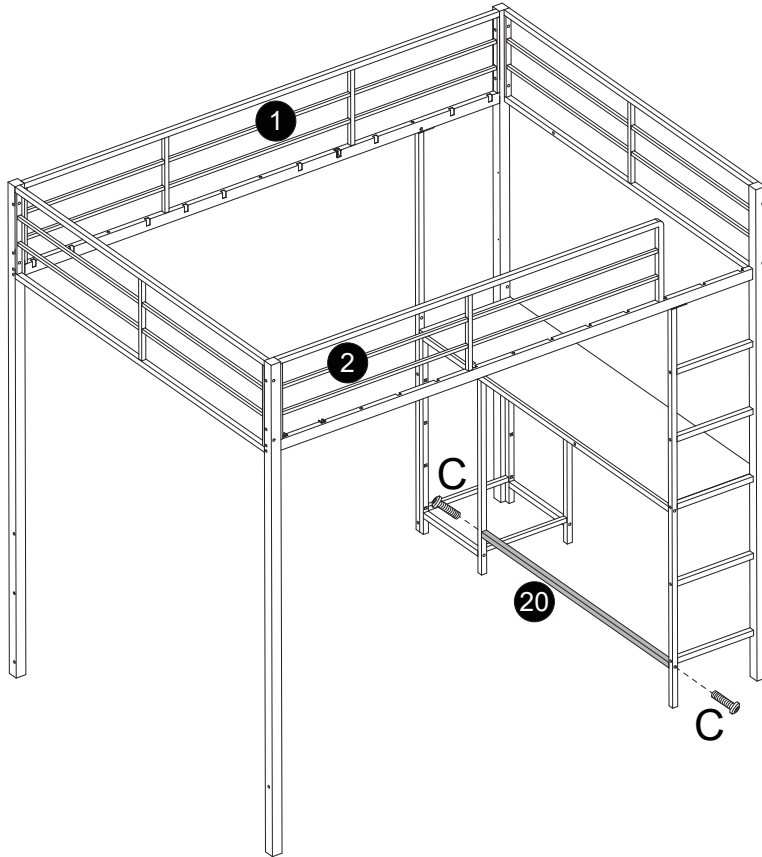


Be careful not to overtighten the screws.


# Assembly Instruction


13

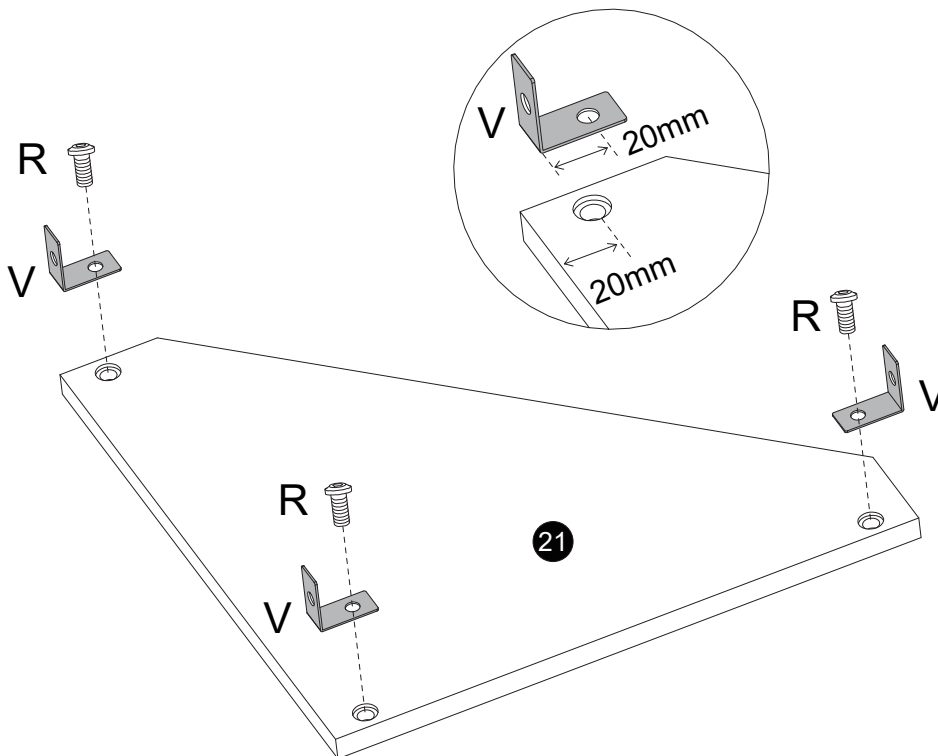
C M6\*40  
 X2



14

R M6\*10  
 X6

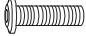
V  
 X6

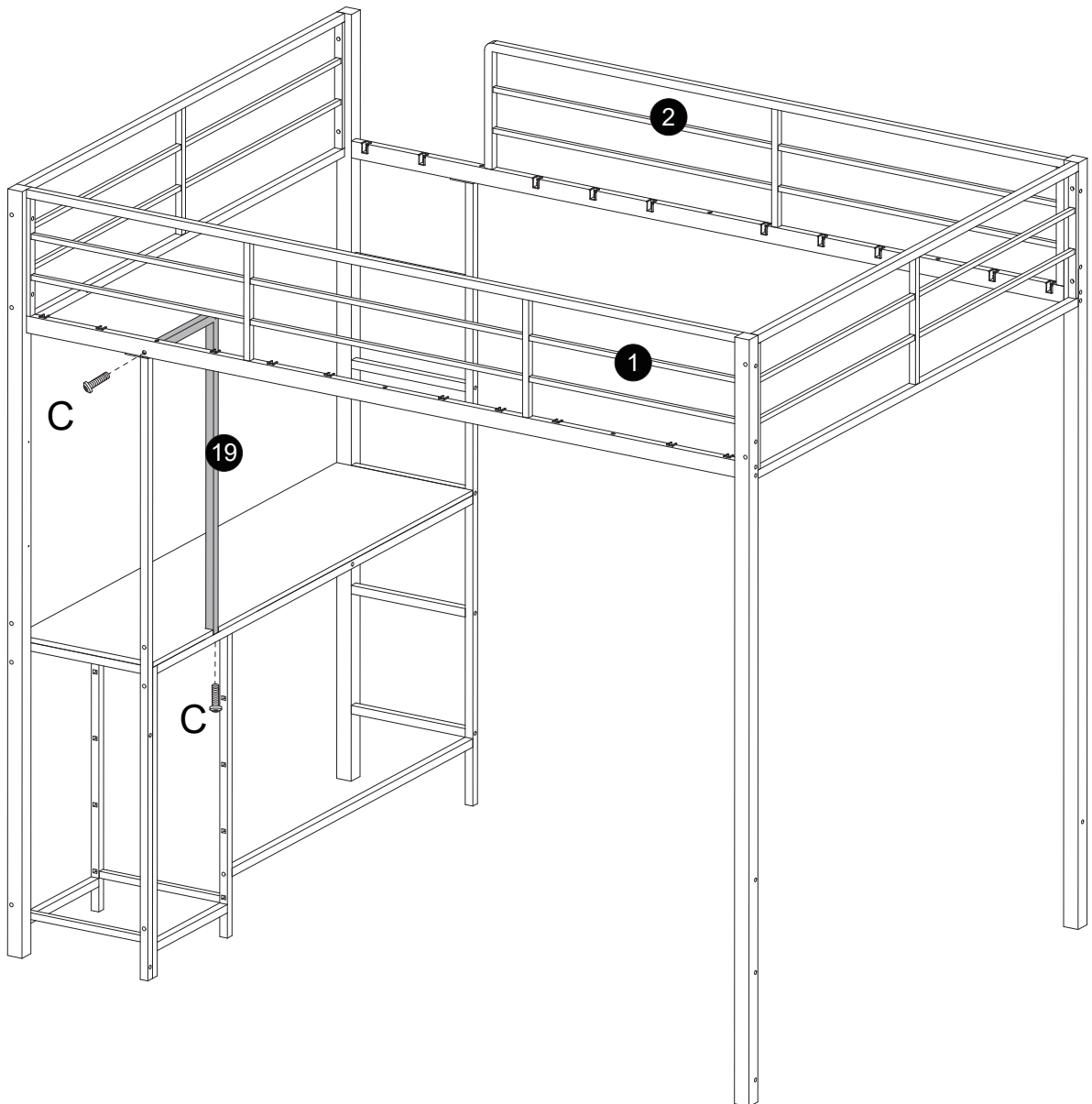


Pay attention to the direction of component V.

# Assembly Instruction

15

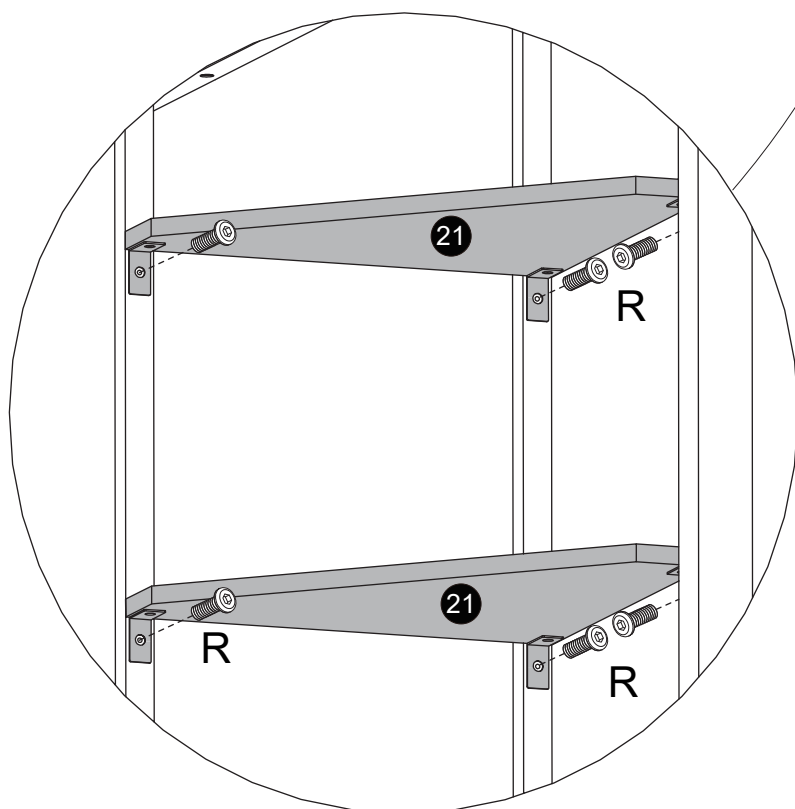
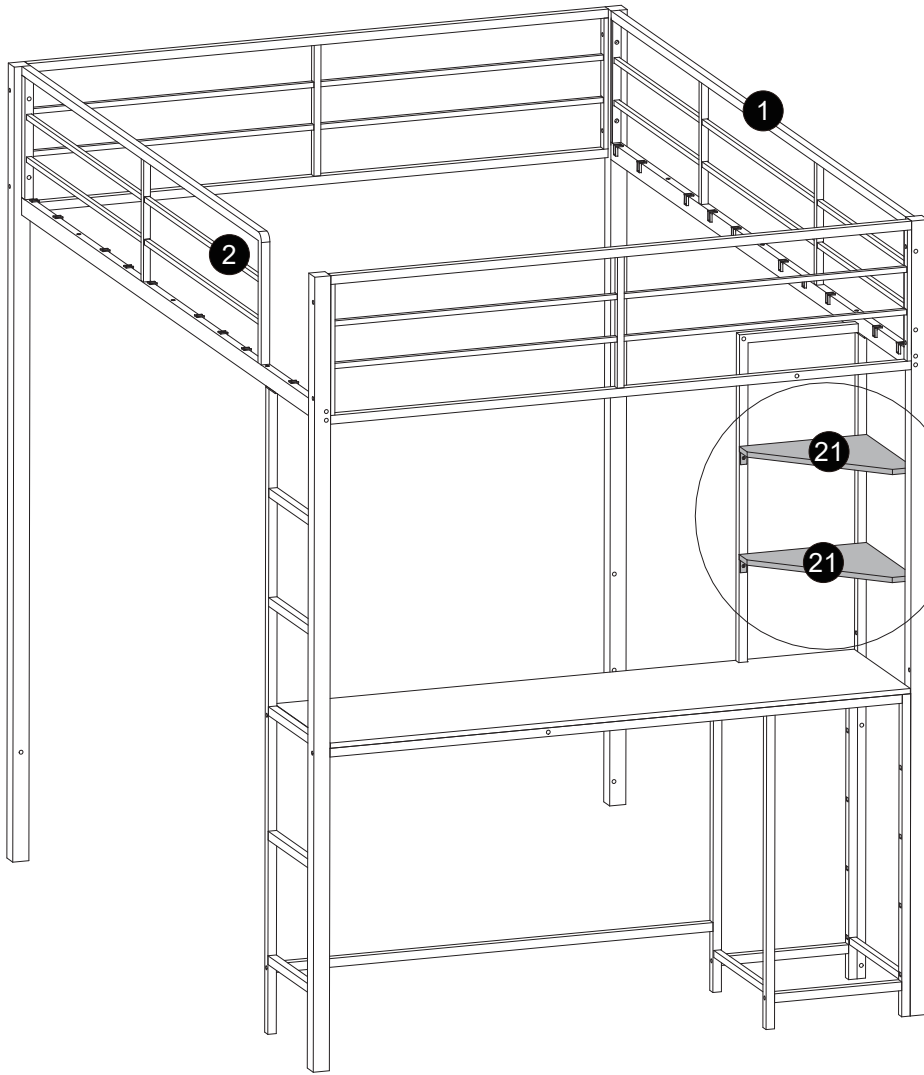
C M6\*40  
 X2



# Assembly Instruction

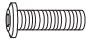
16

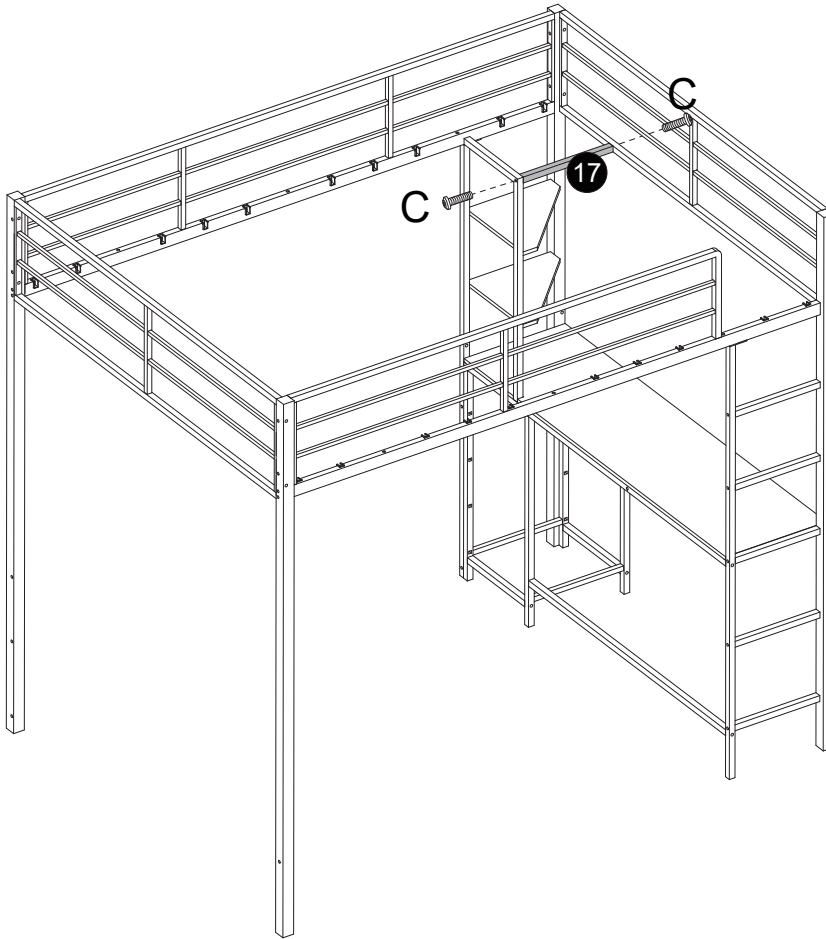
R M6\*10  
 X6



# Assembly Instruction

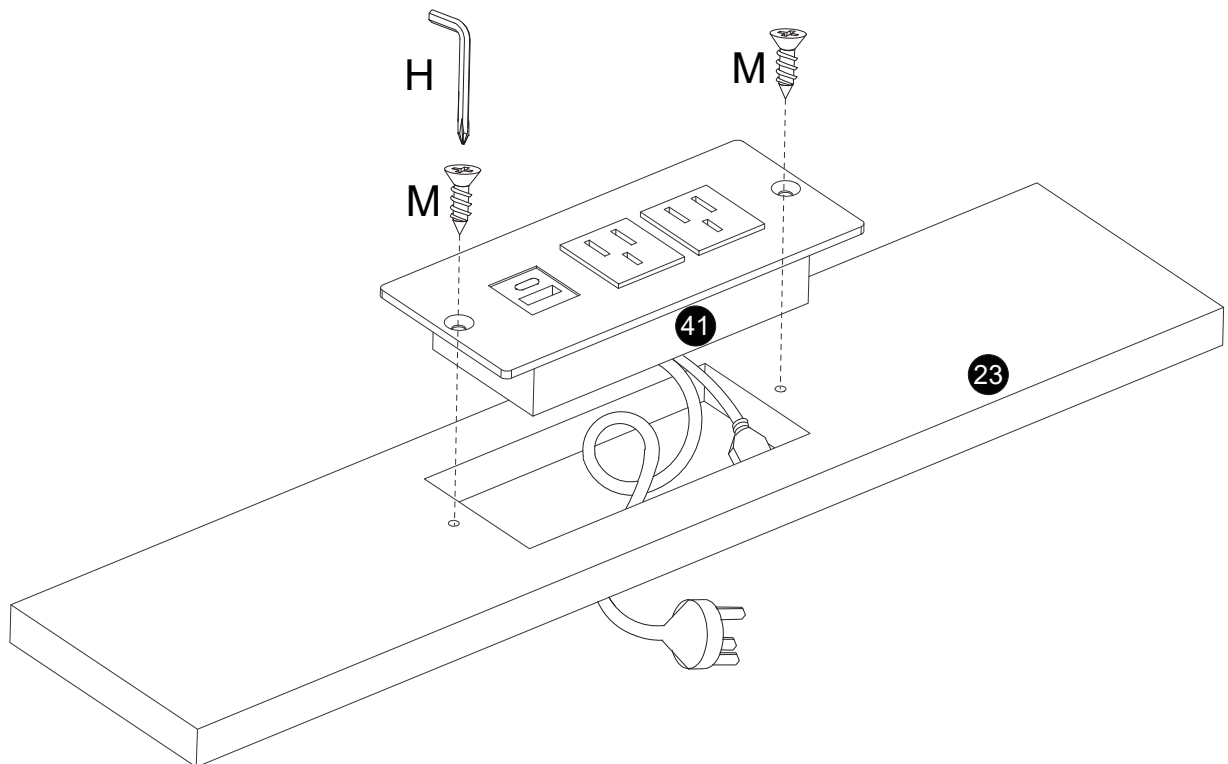
17

C M6\*40  
 X2



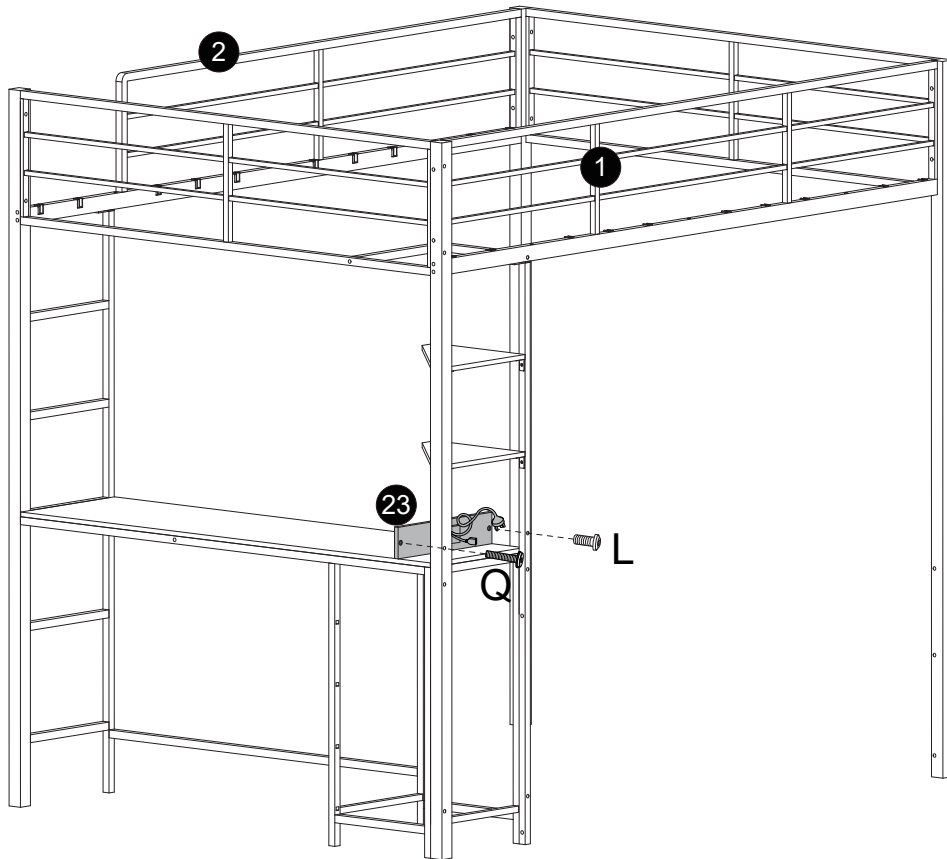
18

M M3\*12  
 X2



# Assembly Instruction

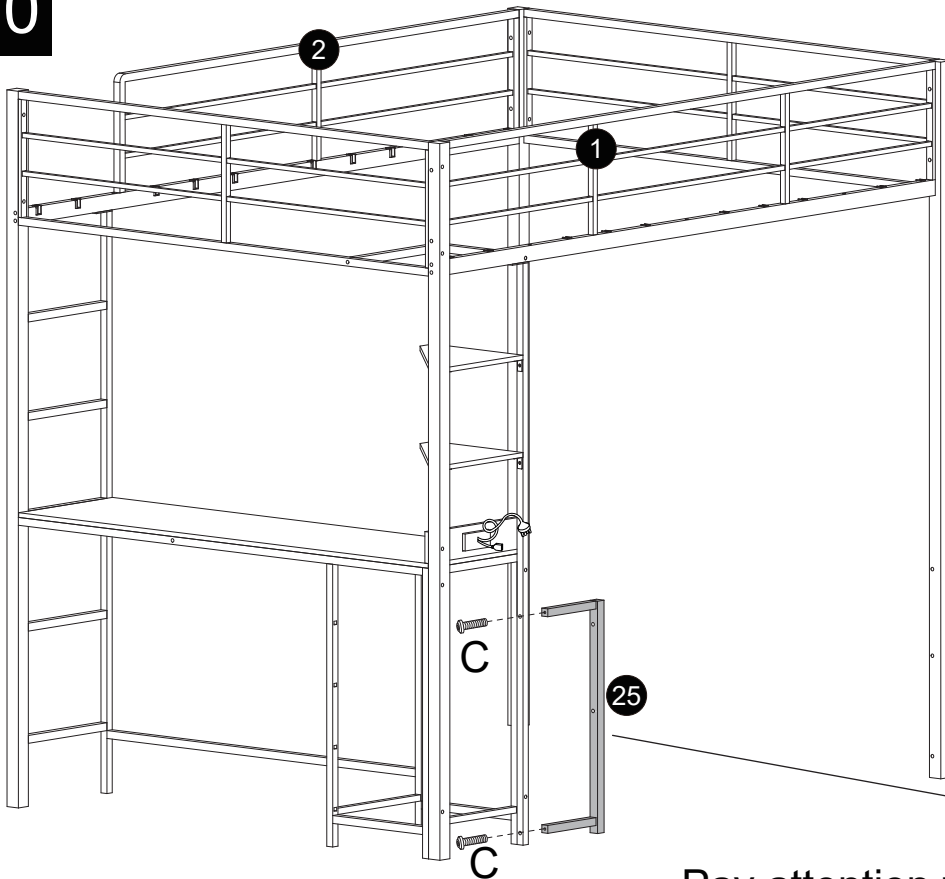
19

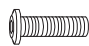


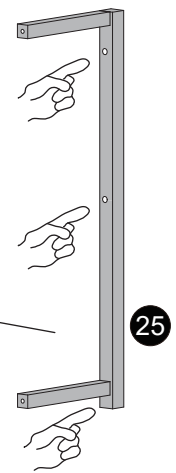
L M6\*28  
 X1

Q M6\*45  
 X1

20



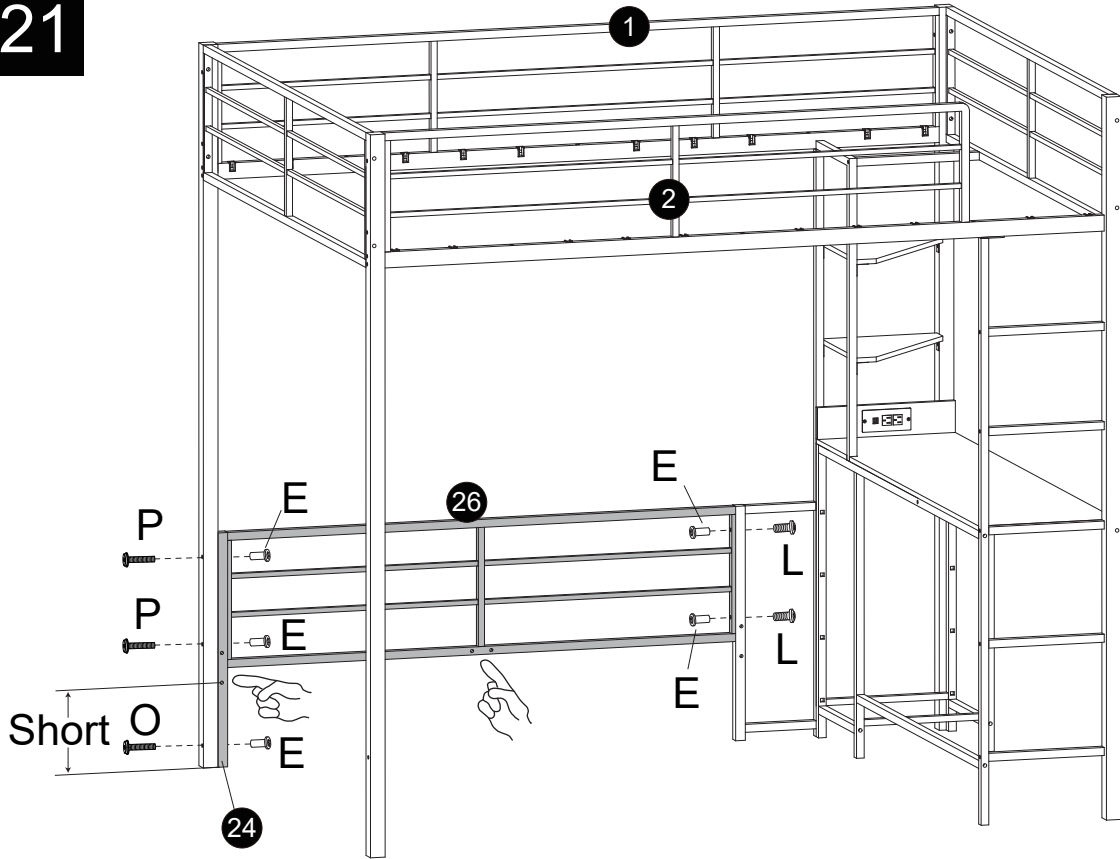
C M6\*40  
 X2



 Pay attention to the installation direction.

# Assembly Instruction

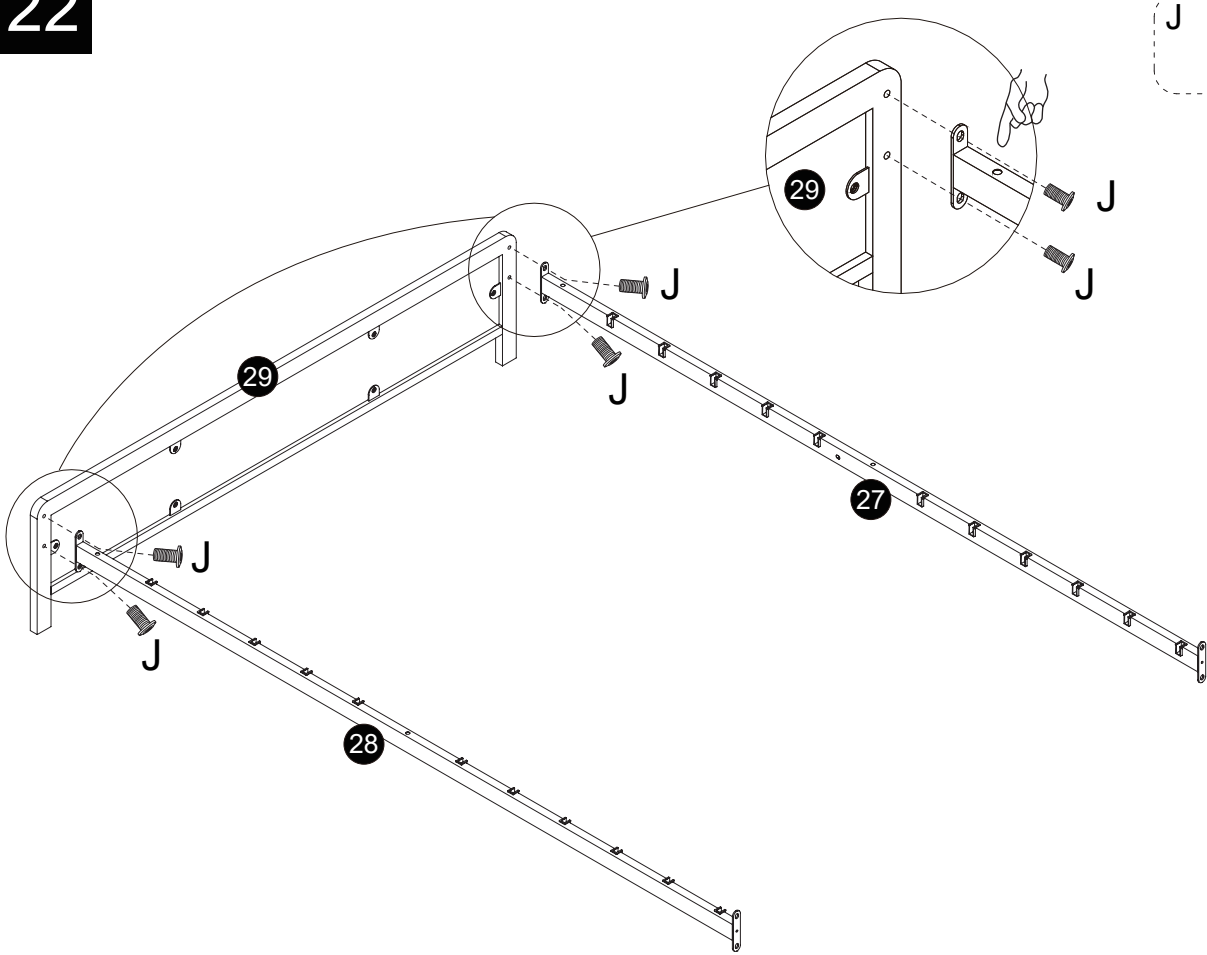
21



- E M6\*20 X5
- L M6\*28 X2
- O M6\*48 X1
- P M6\*65 X2

! Pay attention to the direction of component 24 and 26.

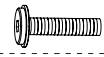
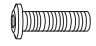
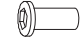
22

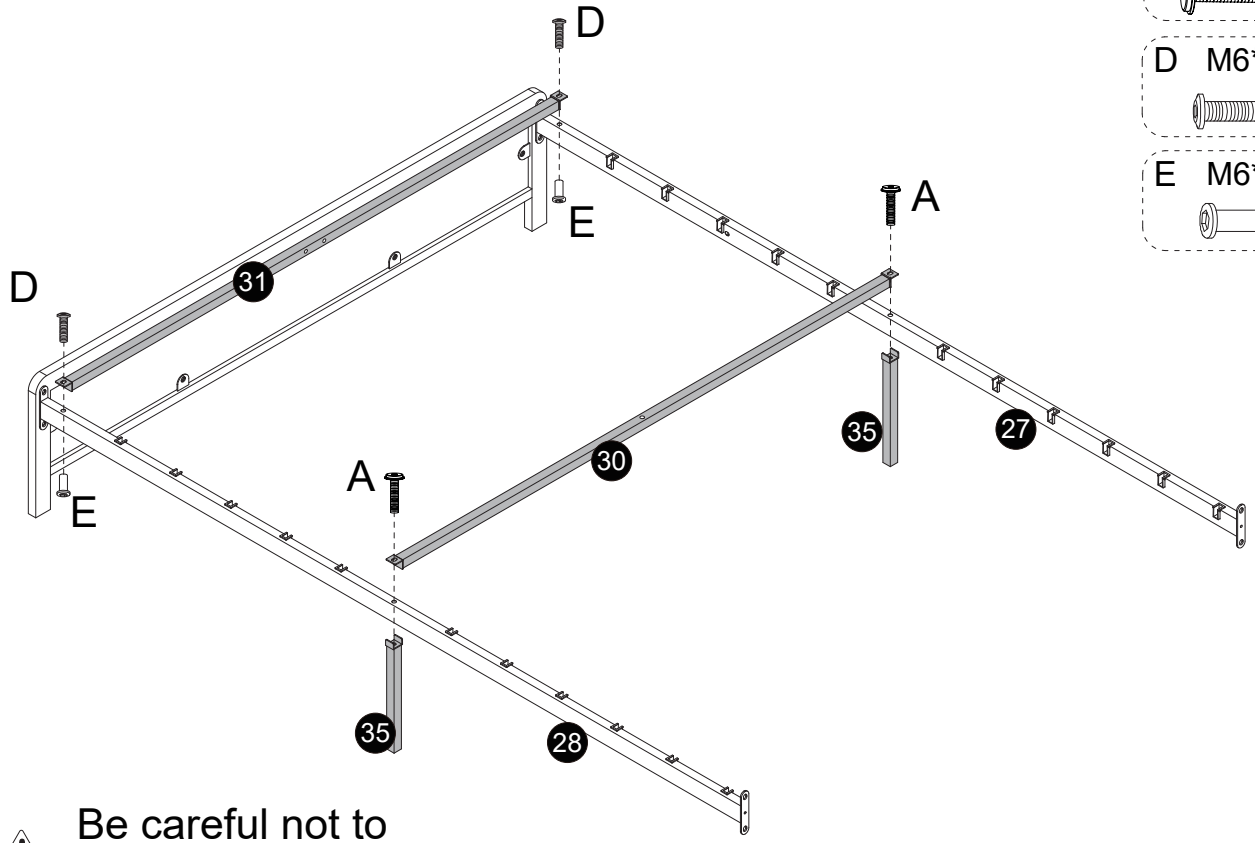



- J M8\*20 X4

# Assembly Instruction

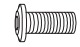
23

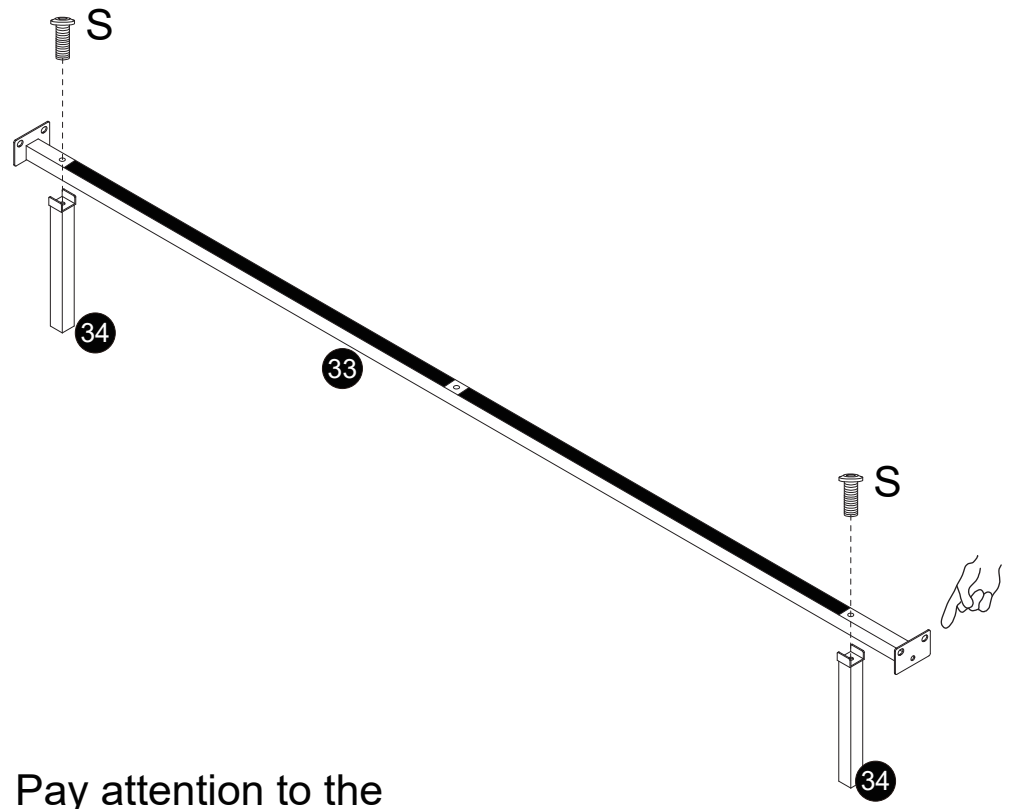
- A M8\*55  X2
- D M6\*30  X2
- E M6\*20  X2



 Be careful not to overtighten the screws.

24

- S M8\*35  X2



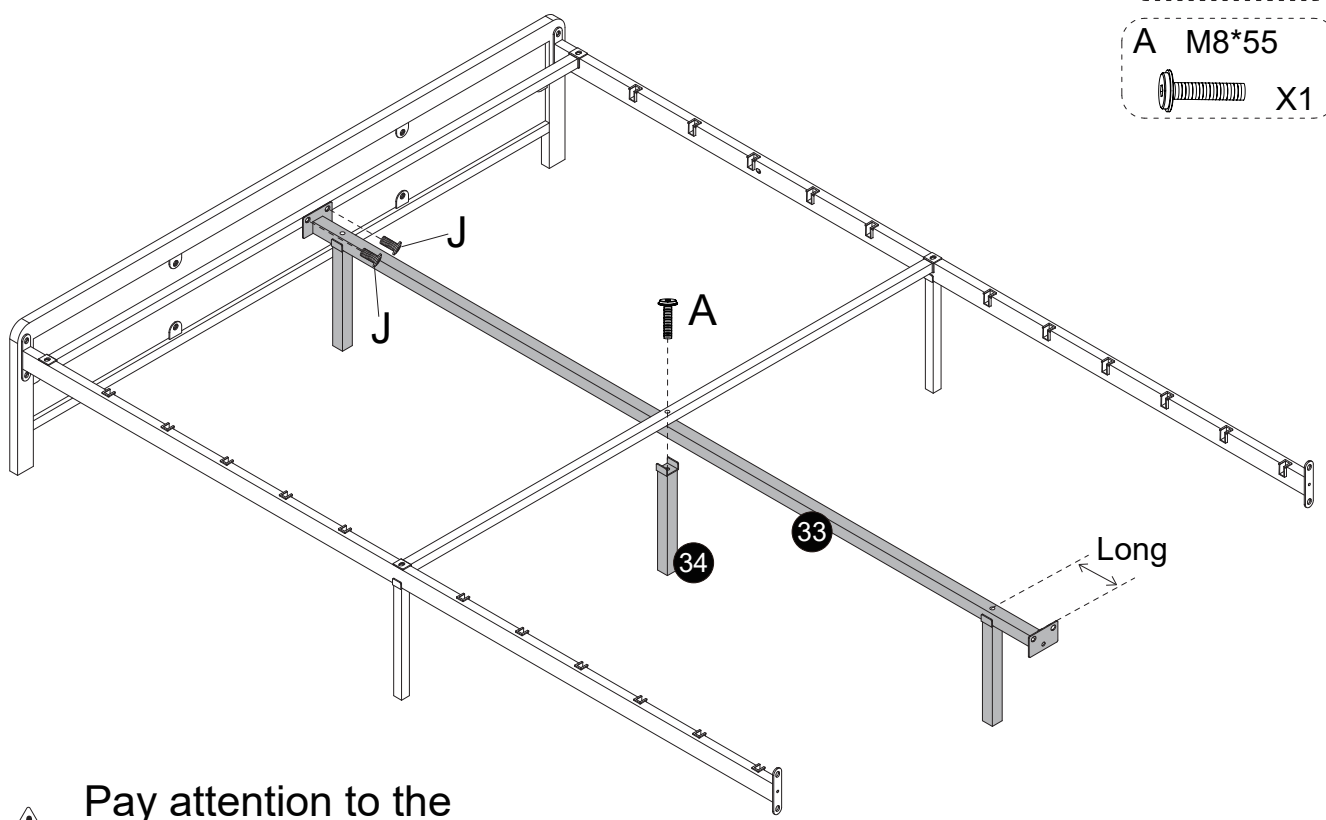
 Pay attention to the installation direction.

# Assembly Instruction

25

J M8\*20  
X2

A M8\*55  
X1



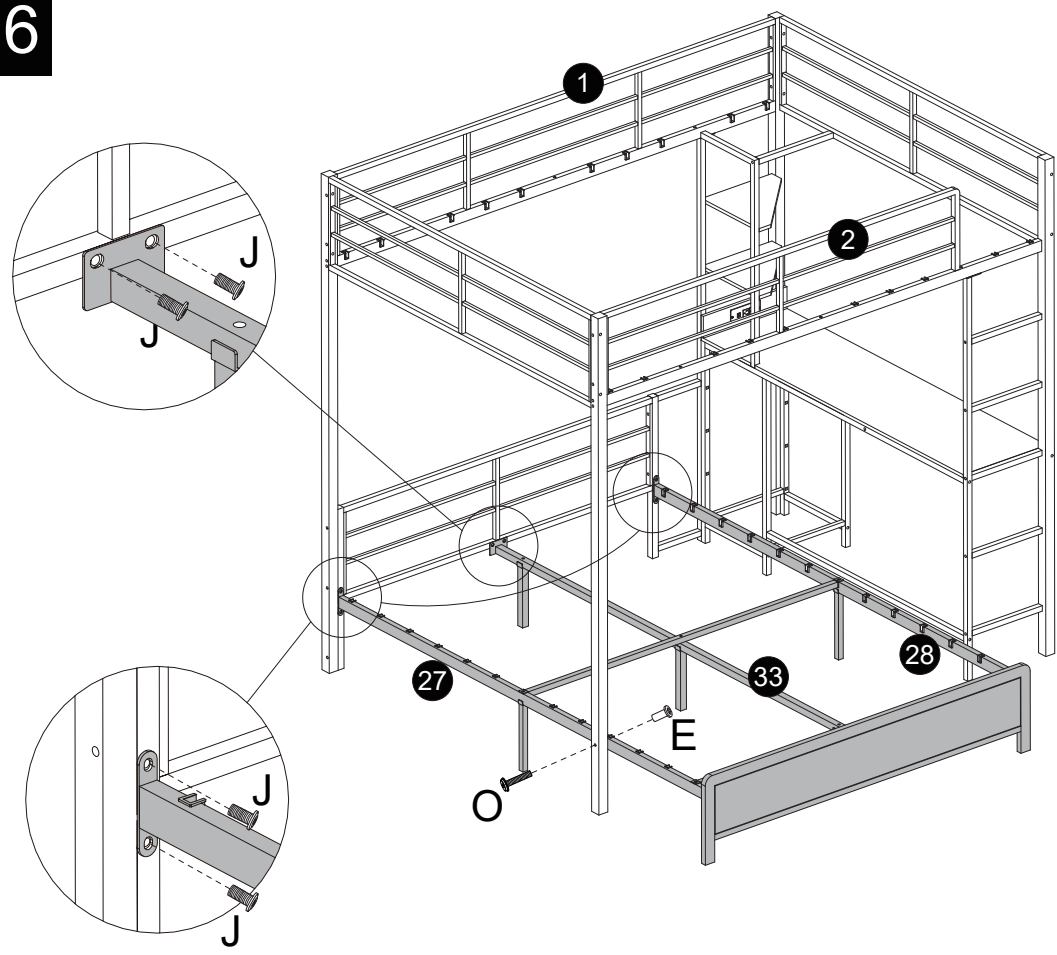
! Pay attention to the direction of component 33.

26

J M8\*20  
X6

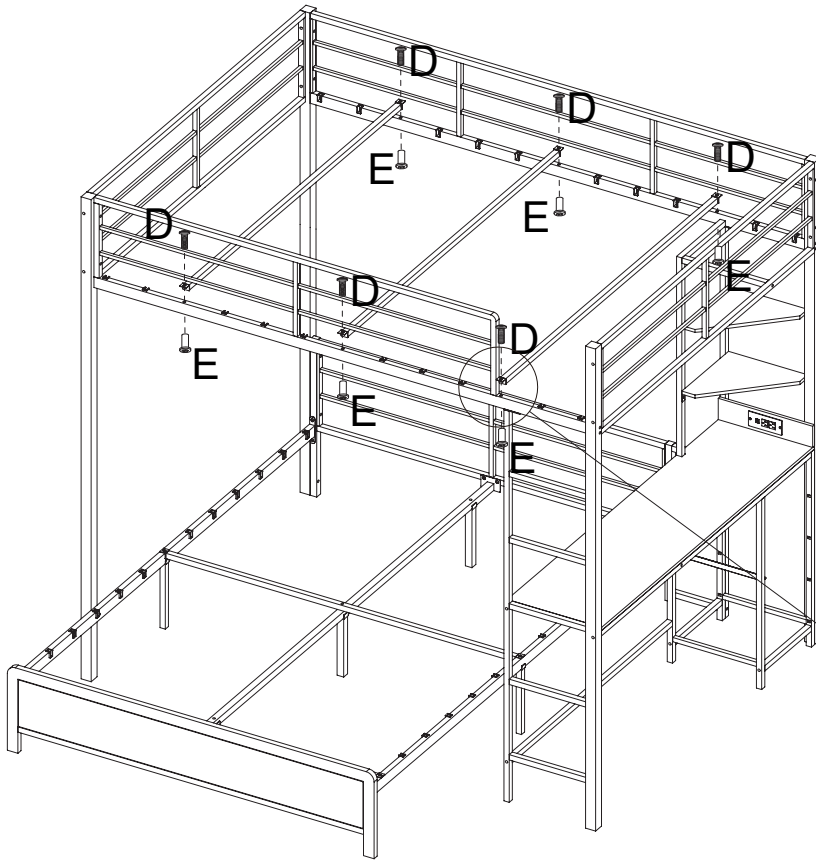
E M6\*20  
X1

O M6\*48  
X1

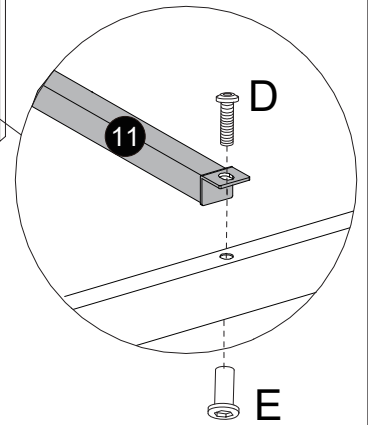


# Assembly Instruction

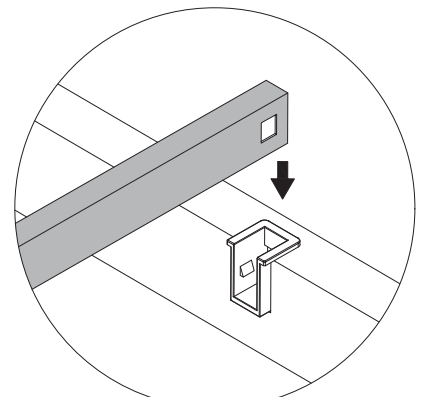
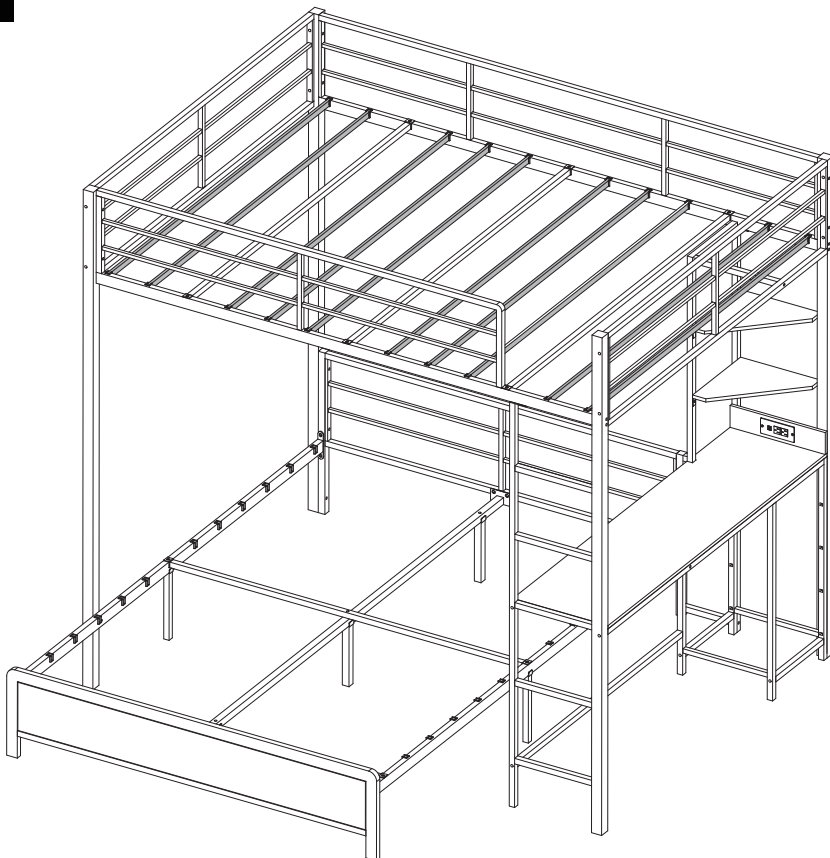
27



- E M6\*20 X6
- D M6\*30 X6



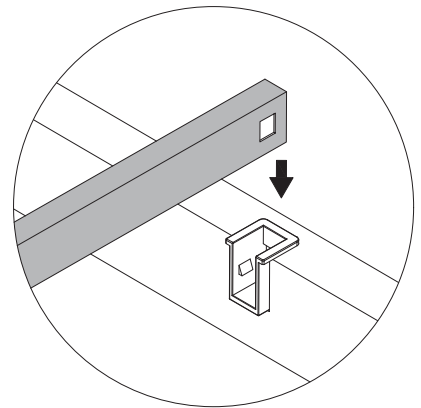
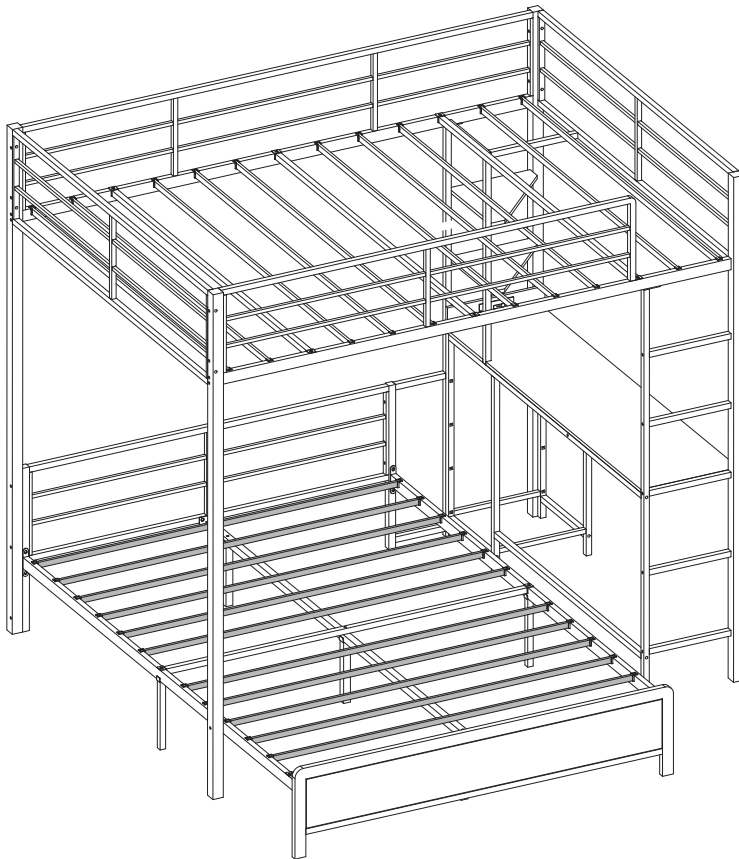
28



12 X10

# Assembly Instruction

29

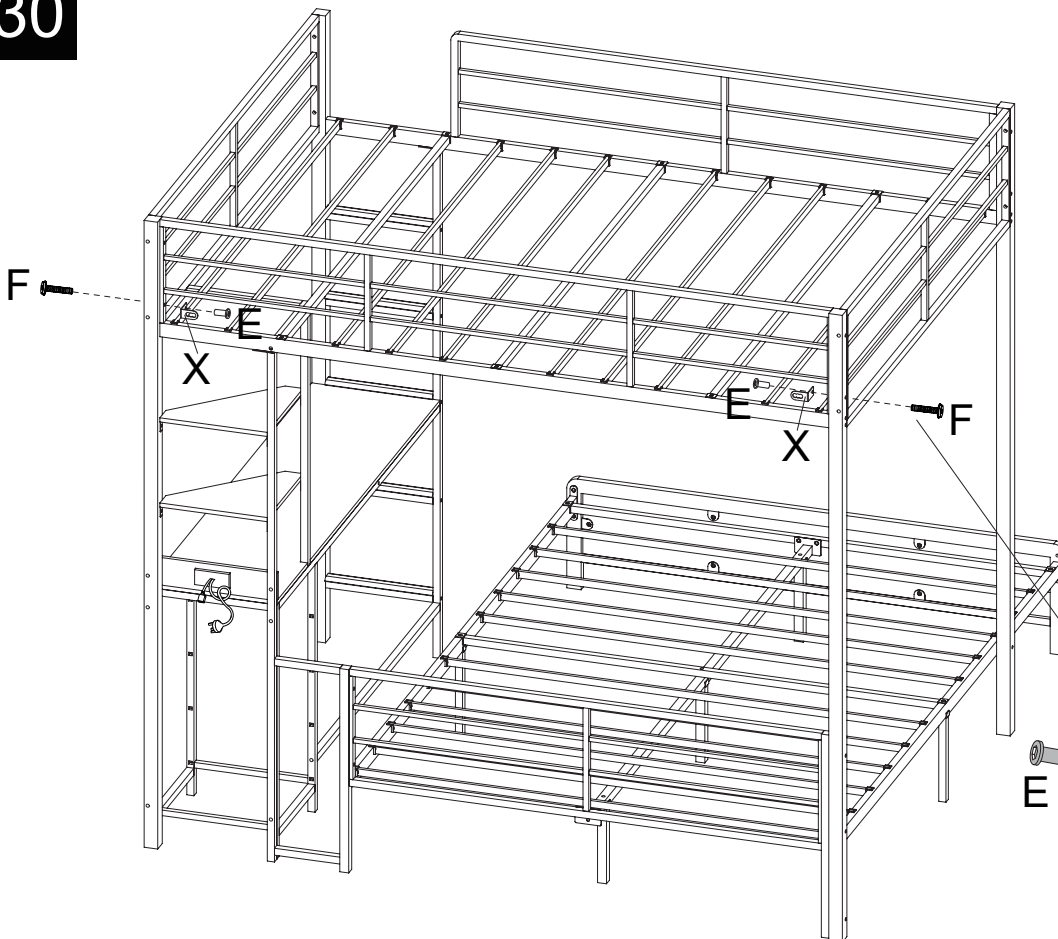



32 X11




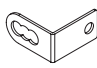
No mattress,  
no stepping on.

30



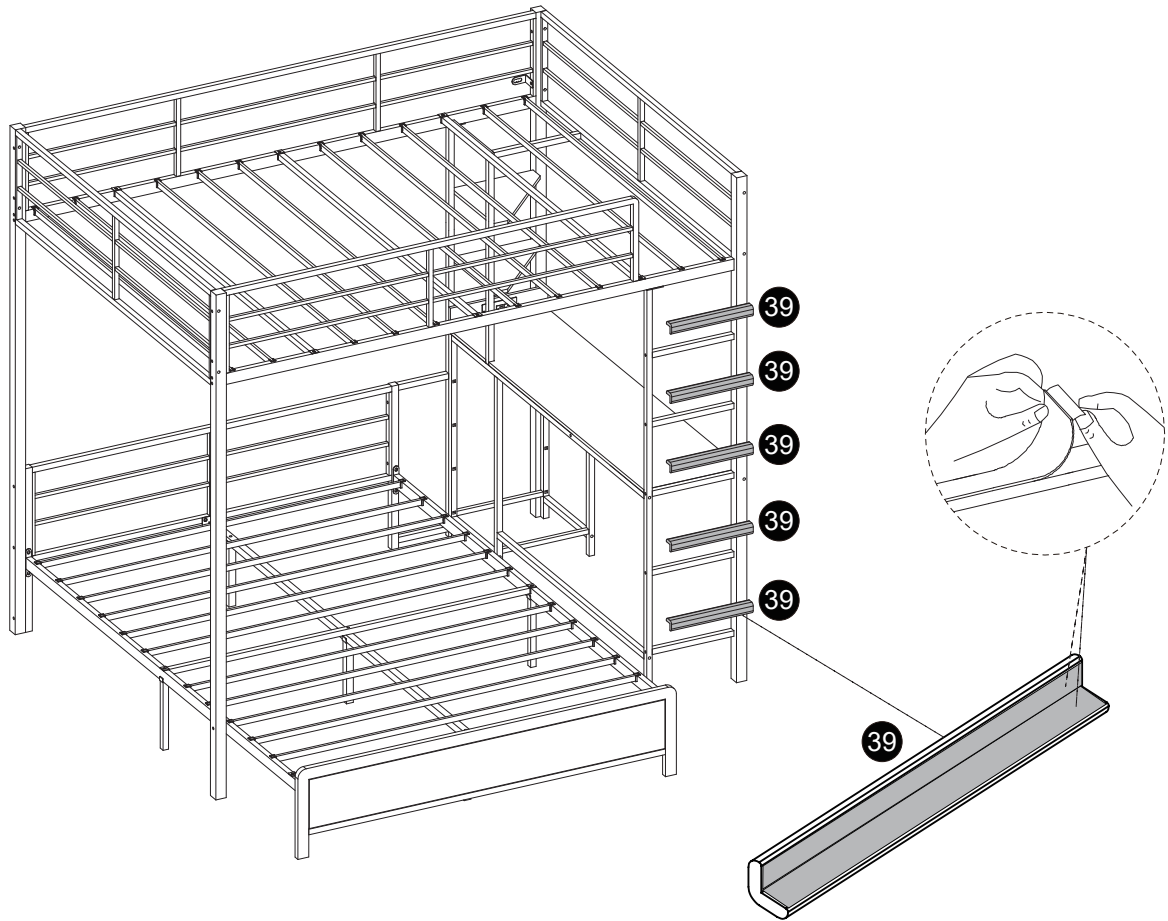
E M6\*20  
 X2

F M6\*40  
 X2

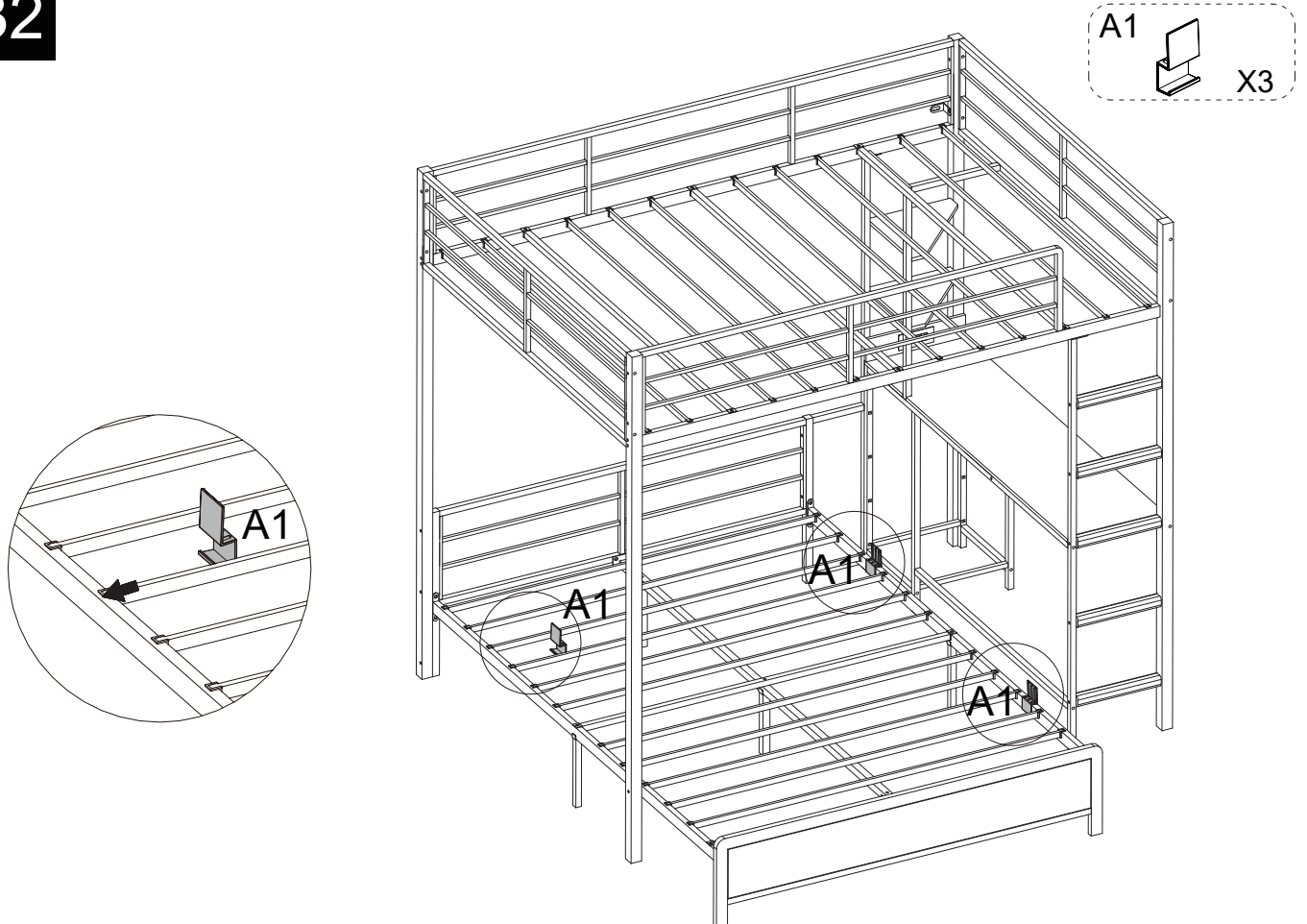
X  
 X2

# Assembly Instruction

31

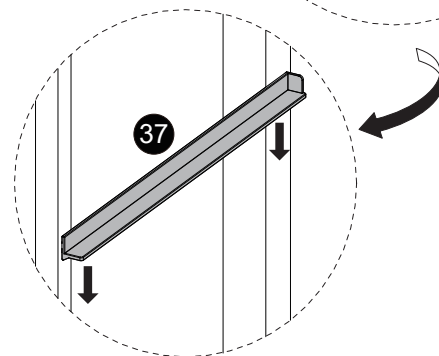
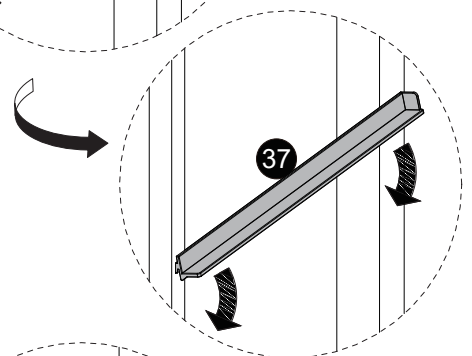
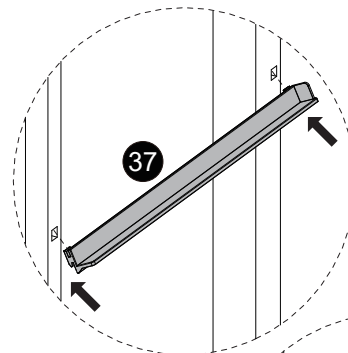
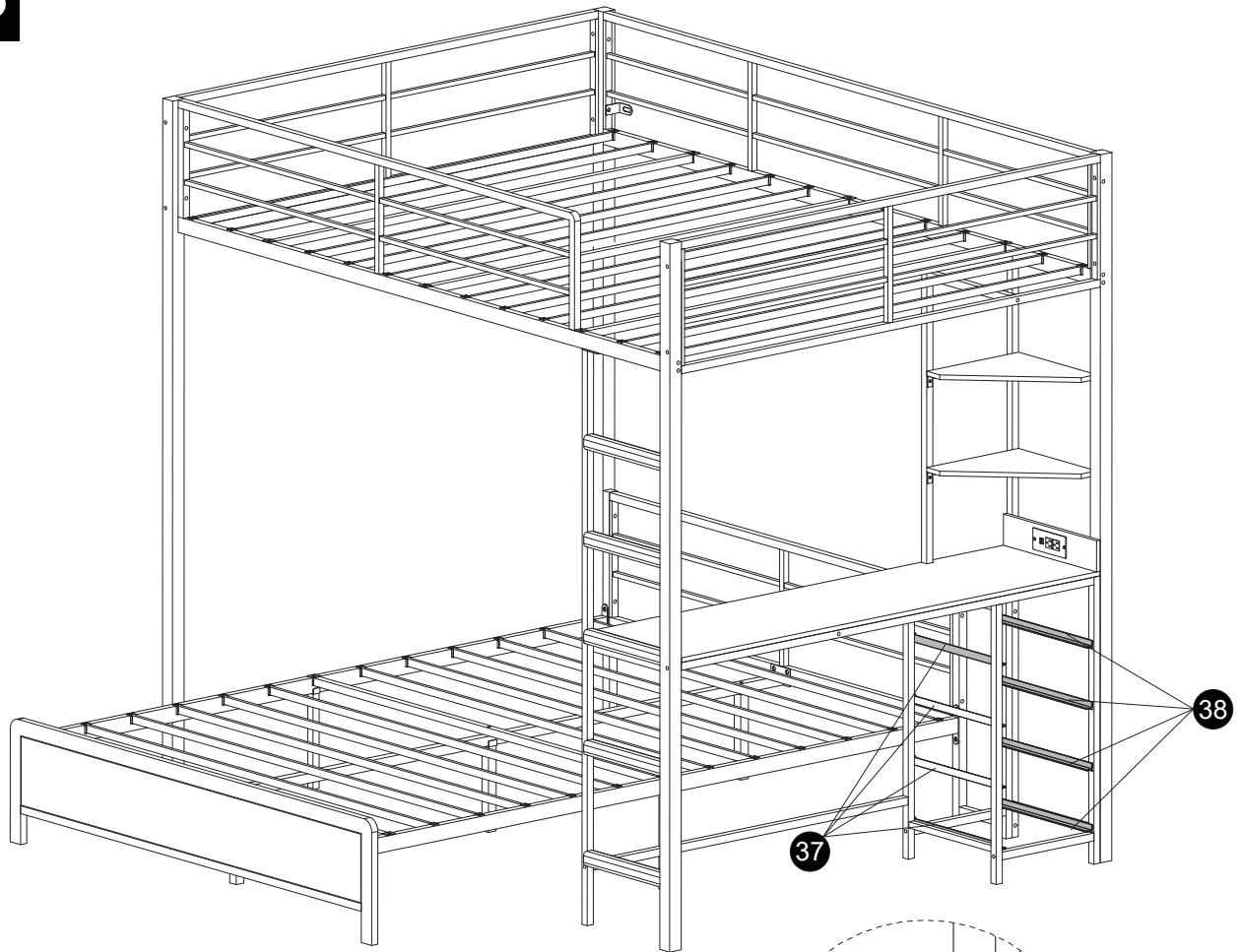


32



# Assembly Instruction

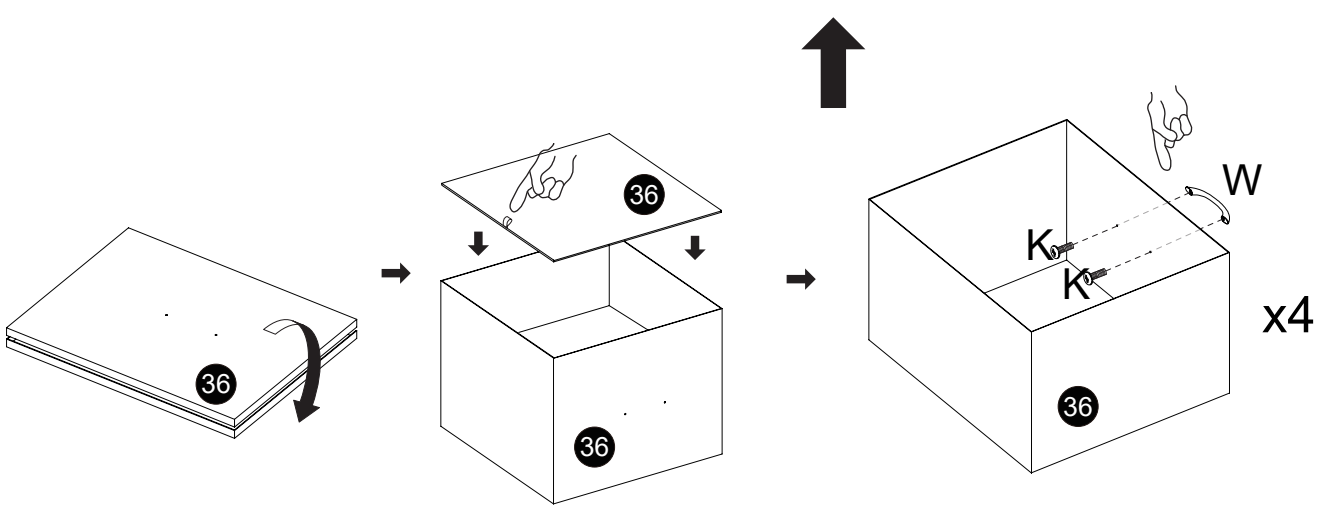
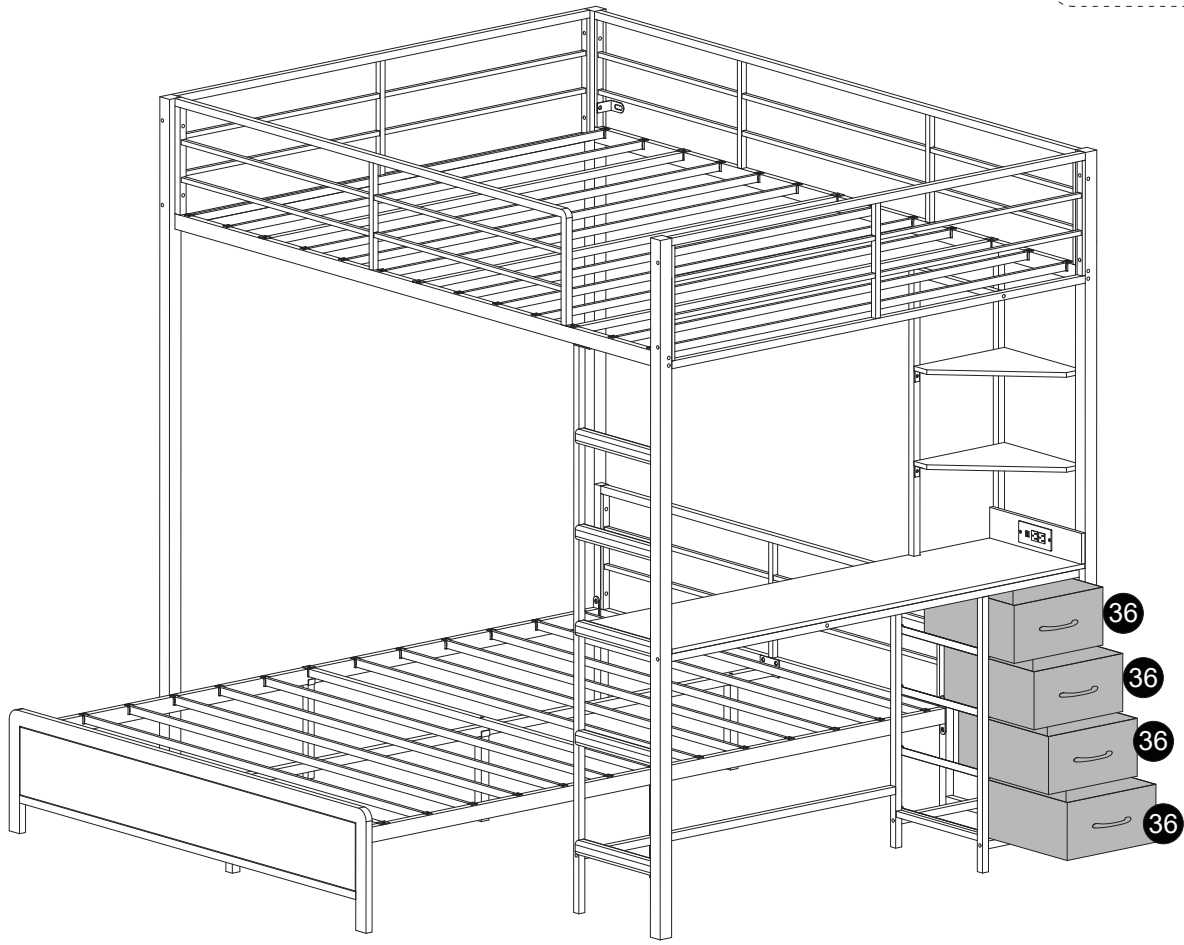
33



# Assembly Instruction

34

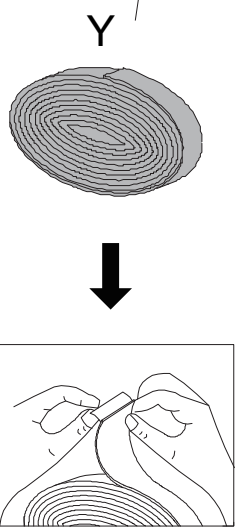
- K M4\*10 X8
- W X4



Be careful not to overtighten the screws.

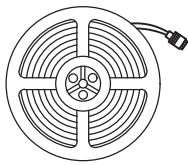
# Assembly Instruction

35

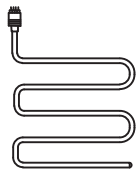


# Assembly Instruction

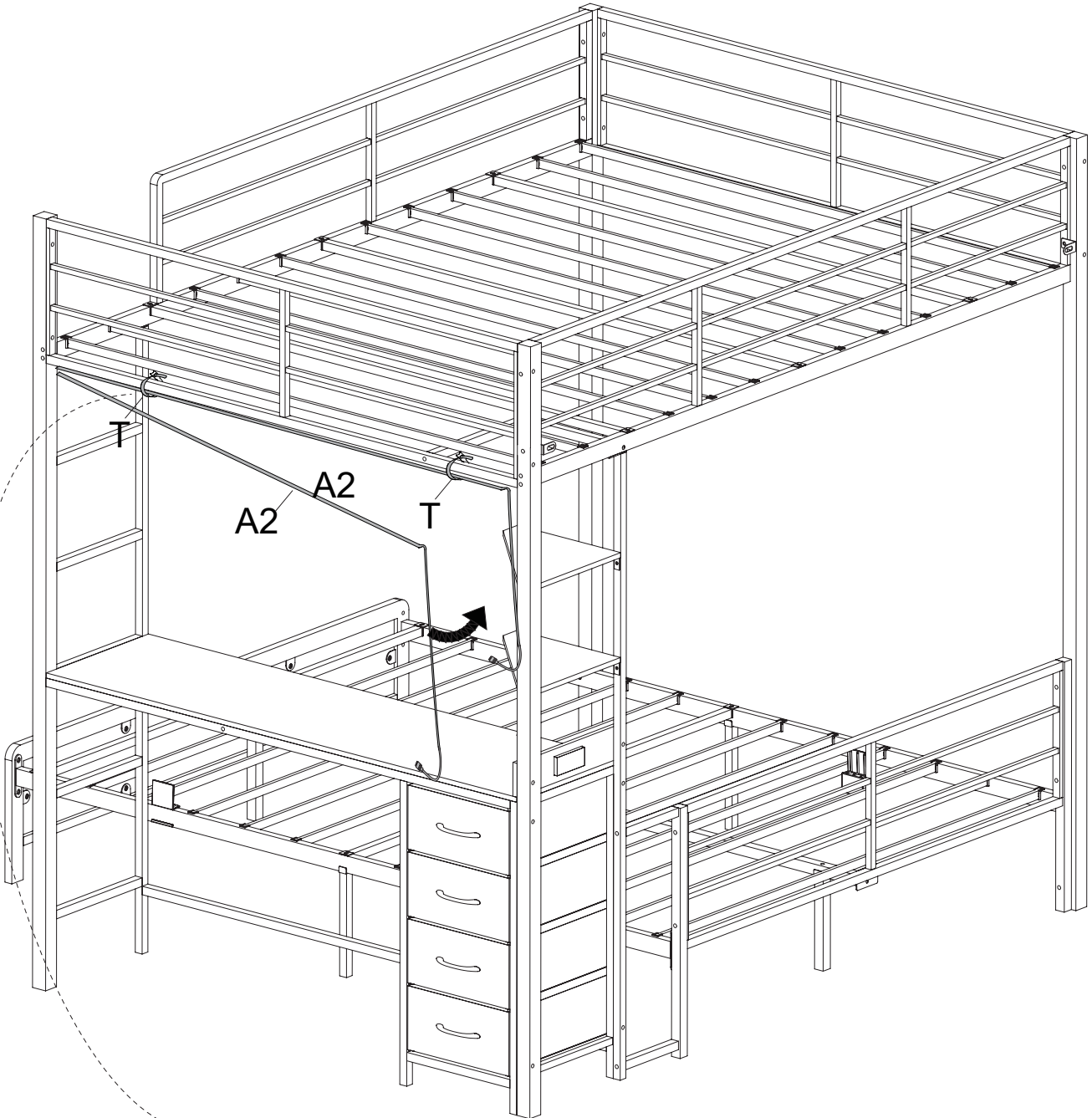
36



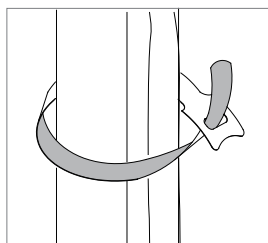
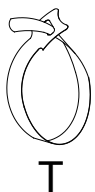
A2 light strip  
1PC



light strip

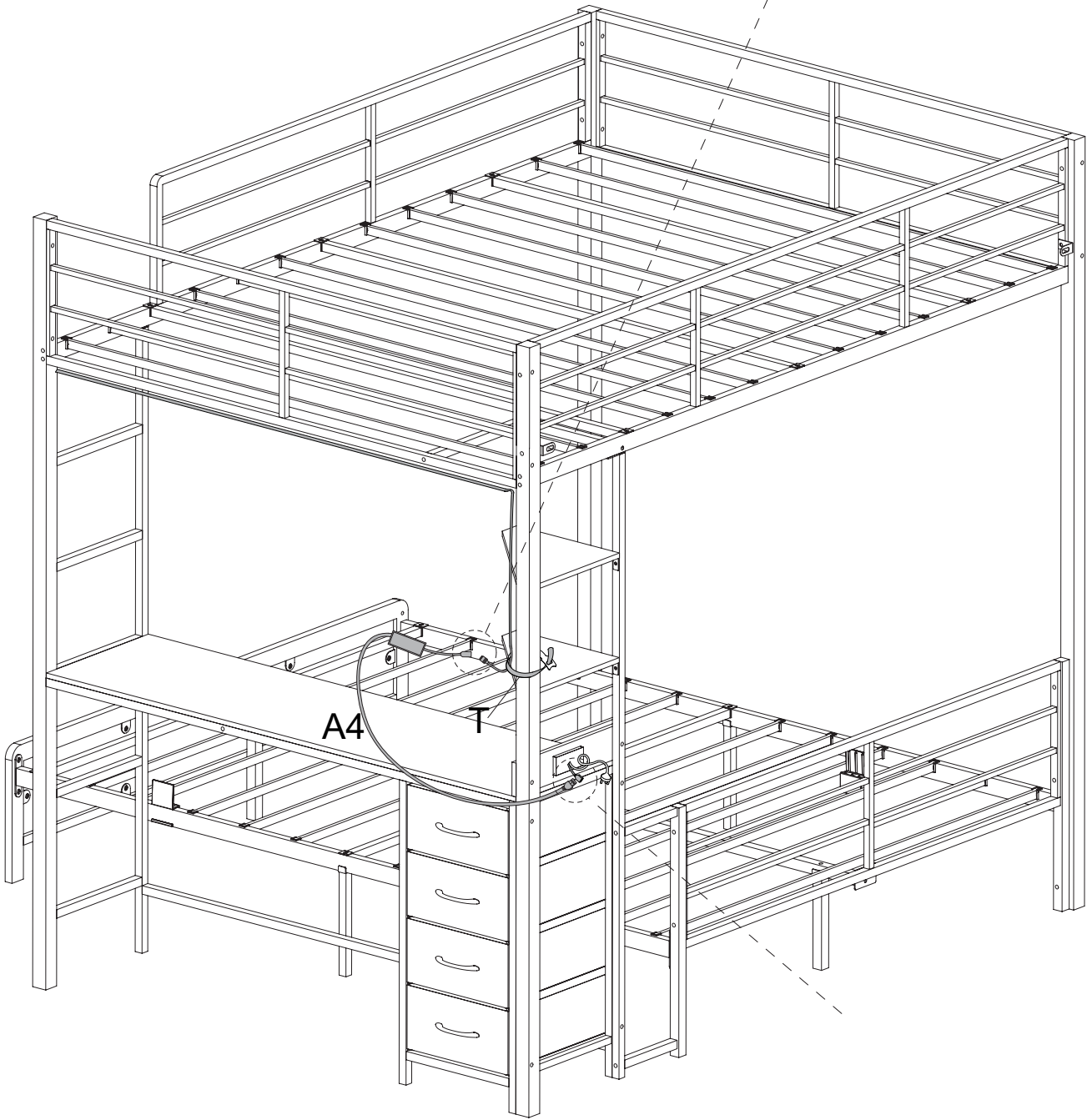
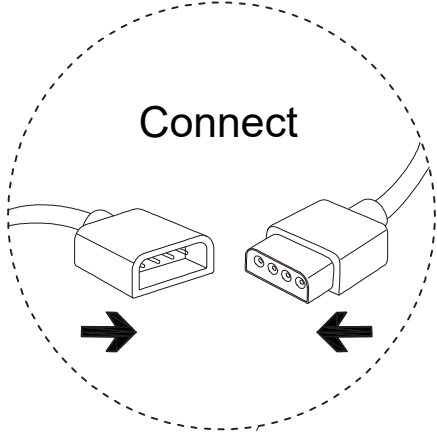
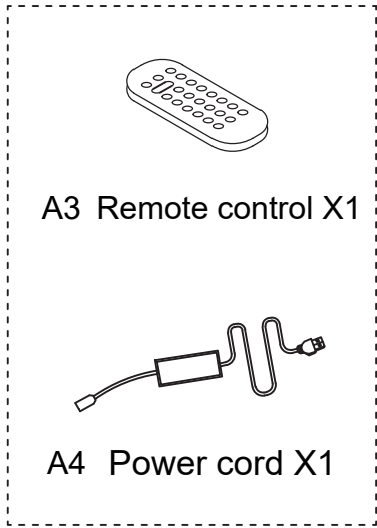


Please loosen the tie and tie it onto the iron pipe. As shown in the figure.



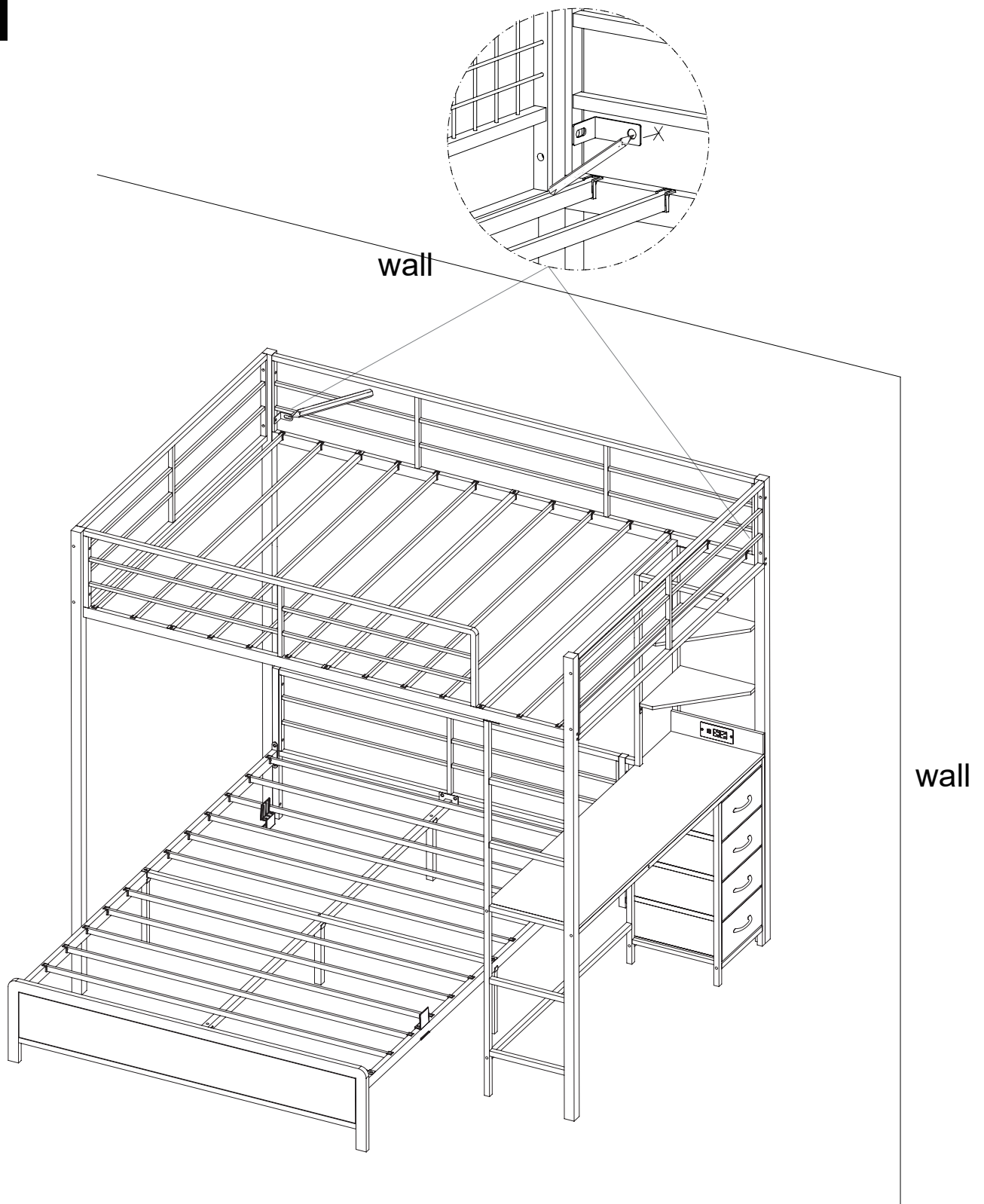
# Assembly Instruction

37



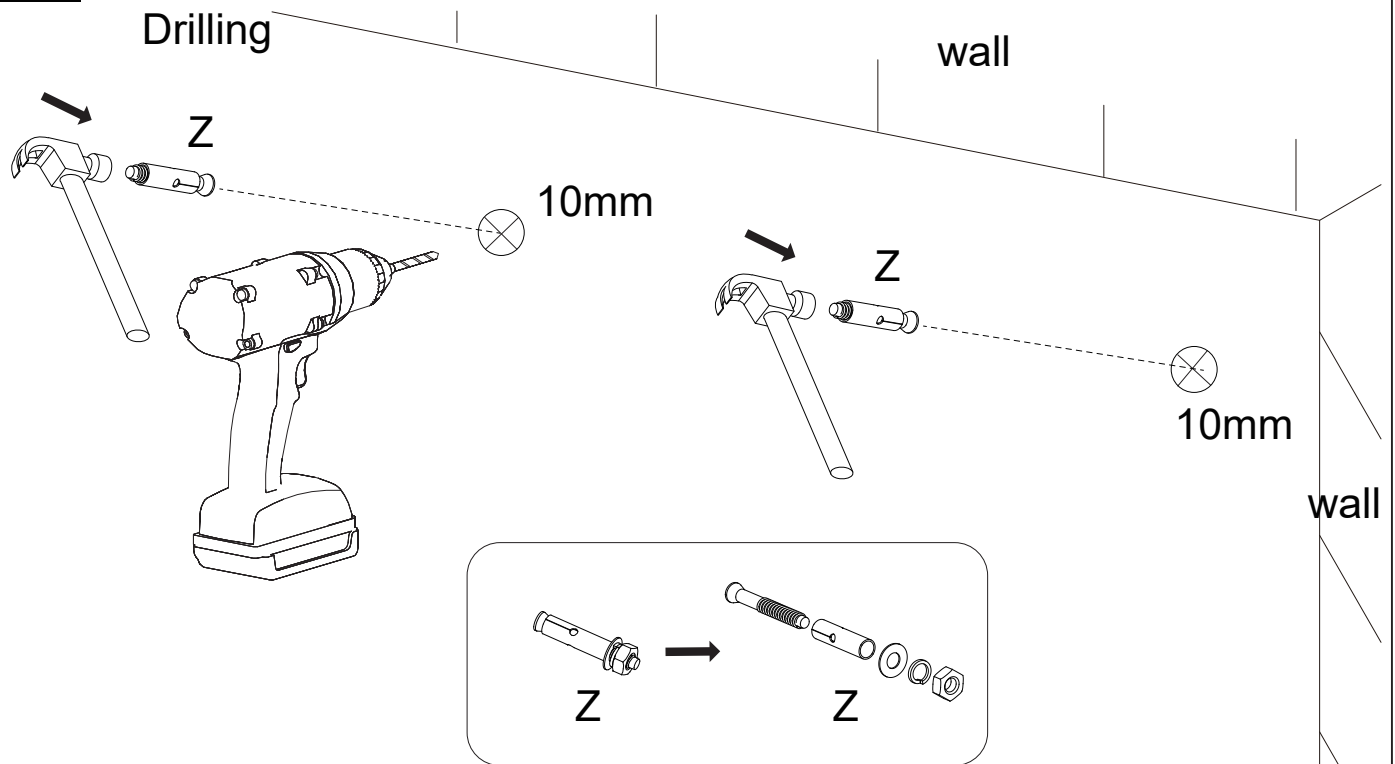
# Assembly Instruction

38



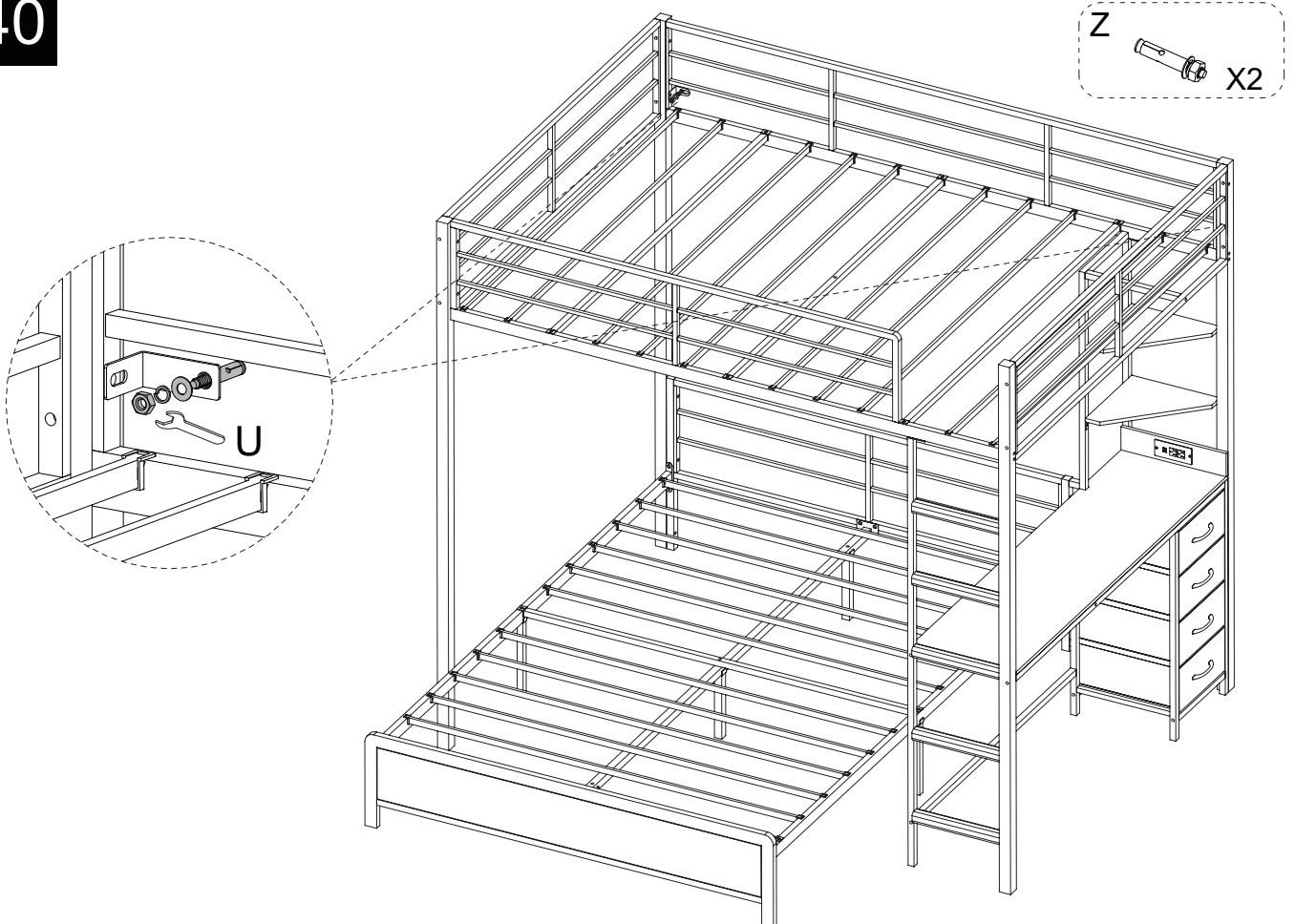
# Assembly Instruction

39



Please lock the expansion screw onto the wall.

40



41

Complete

