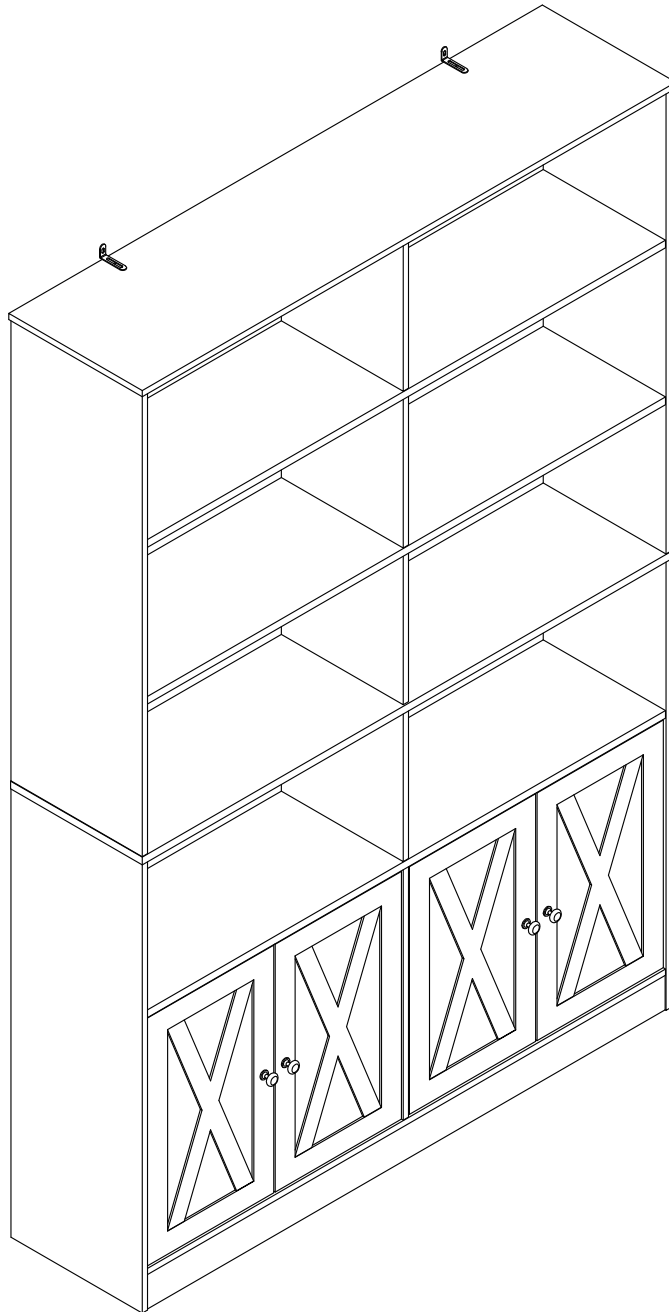


Tall Storage Cabinet > Manual



Thank you for purchase on our products. Please contact us if you have difficulty with assembly or need replacement parts. Our customer service is here to assist you. Please attach your User Name or Order ID so that we can assist you better.

Vielen Dank für Ihren Kauf von uns Produkten. Bitte kontaktieren Sie uns, wenn Sie Probleme mit Montage haben oder Ersatzteile benötigen. Wir Kundenservice ist für Sie da. Bitte geben Sie Ihren Benutzernamen oder Ihre Bestellnummer an, damit wir Sie besser unterstützen können.

EN

WARNING

Serious or fatal injury may occur from unexpected assembly or use.

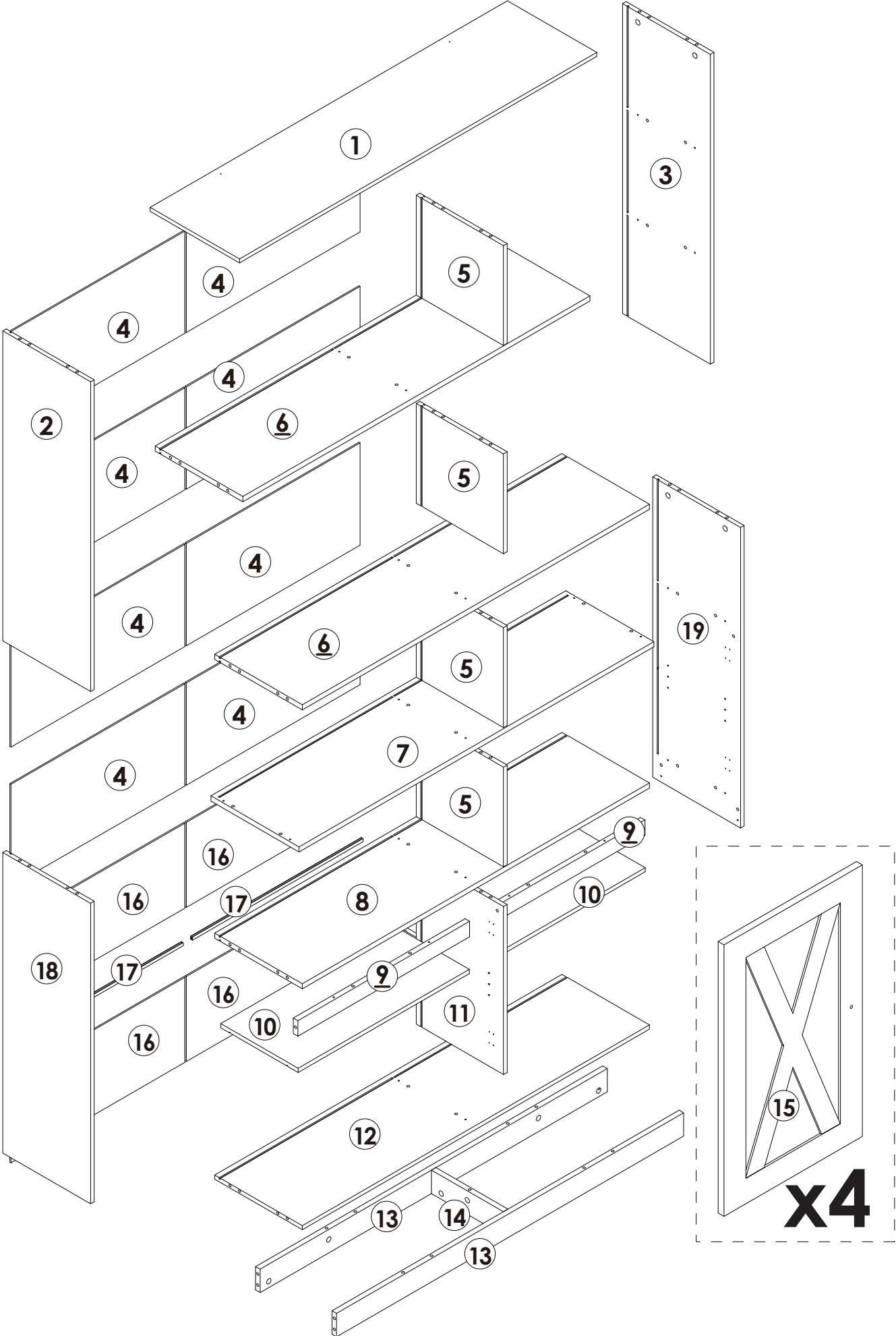
1. During the assembly process, keep all parts away from babies or children.
2. Always securely fix this product to the wall. Make sure the wall area to be drilled is free from hidden electrical wires, water and gas pipes.
3. Use of tip-over restraints may only reduce, but not eliminate the risk of tip-over.
4. Unless specially designed to accommodate, do not set heavy objects on top of this product.
5. Place the heaviest items on the lowest shelf.
6. Never allow children to climb or bang on drawers, doors or shelves.

WARNUNG

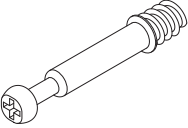
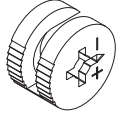
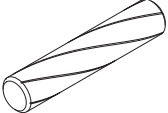
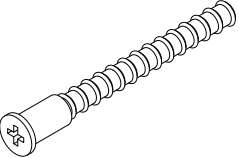
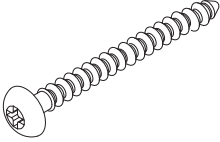

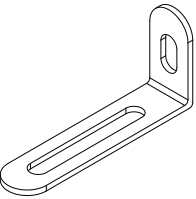
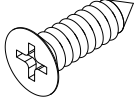
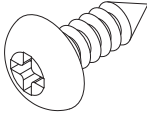
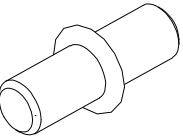
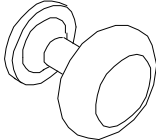
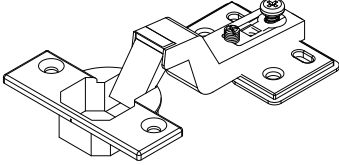
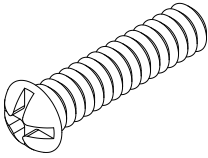
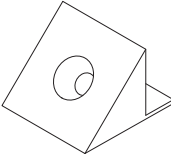
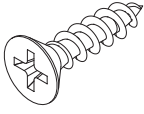
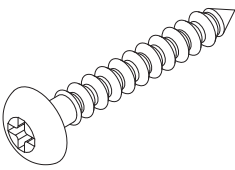
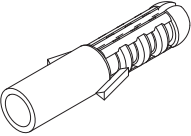
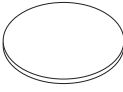
Bei unerwarteter Montage oder Verwendung können schwere oder tödliche Verletzung auftreten.

1. Legen Sie in den Montageprozess alle Teile weg von Babys oder Kindern.
2. Stellen Sie sicher, dass der gebohrte Wandbereich frei von verborgenen Stromkabeln, Wasser- und Gasleitungen ist, wenn Sie dieses Produkt an der Wand befestigen.
3. Die Verwendung von Kippsicherungen kann die Gefahr eines Kippens nur verringern, jedoch nicht beseitigen.
4. Setzen Sie bitte keine schweren Gegenstände auf dieses Produkt, es sei denn, dass das Produkt speziell für die Unterbringung konzipiert wird.
5. Legen Sie bitte die schwersten Gegenstände auf das unterste Regal.
6. Erlauben Sie nie Kindern, auf Schubladen, Türen oder Regale zu klettern oder zu knallen.

Parts List(EN) / Teile Liste(DE)

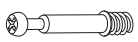
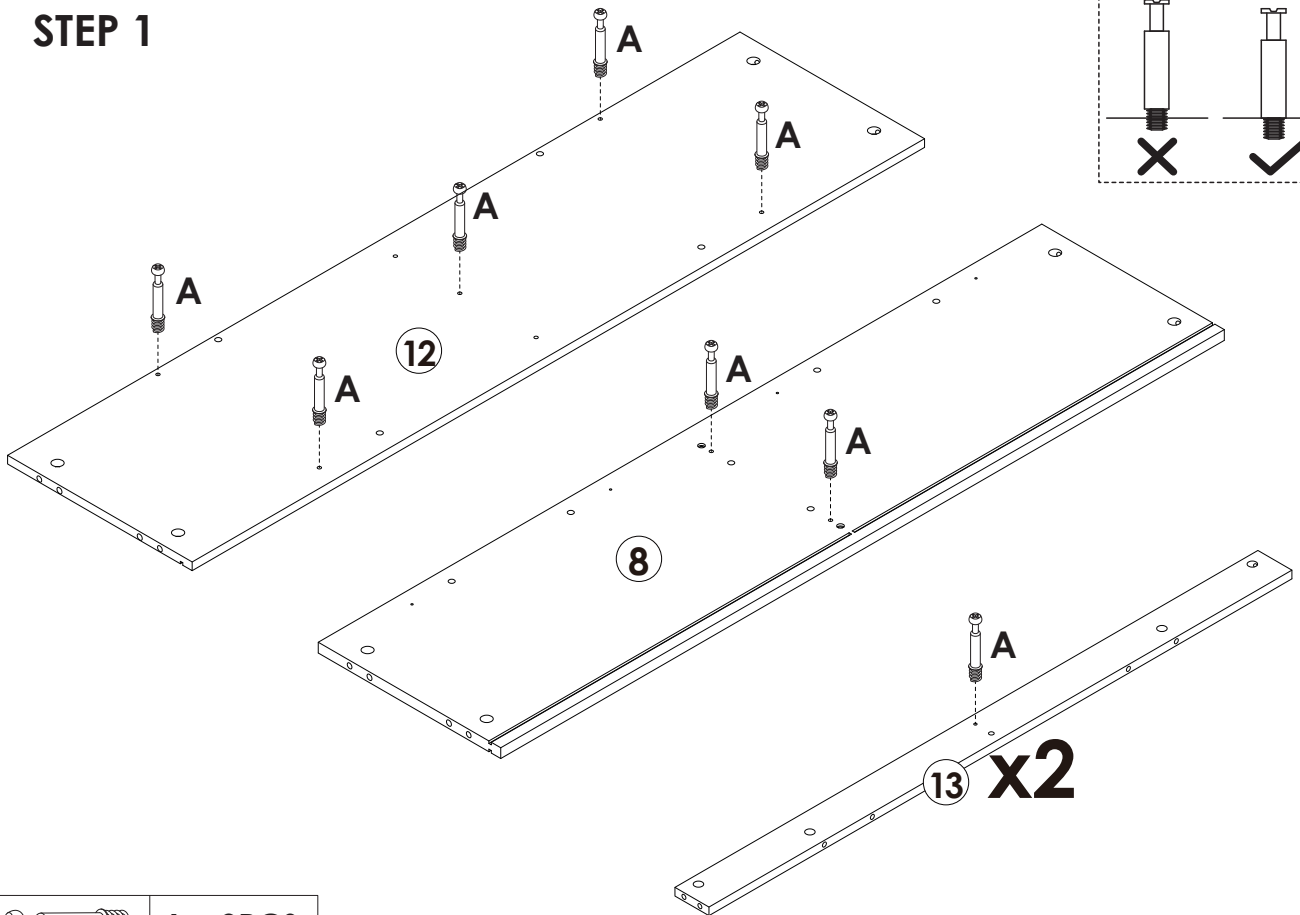


Parts List(EN) / Teile Liste(DE)

<p>A</p>  <p>M6x35mm 45+2PCS</p>	<p>B</p>  <p>Ø15x9mm 45+2PCS</p>	<p>C</p>  <p>Ø6x30mm 64+2PCS</p>
<p>D</p>  <p>M5x40mm 14+1PCS</p>	<p>E</p>  <p>M4x50mm 4PCS</p>	<p>F</p>  <p>Ø6x50mm 1PC</p>
<p>G</p>  <p>2PCS</p>	<p>H</p>  <p>M3.5x12mm 48+2PCS</p>	<p>I</p>  <p>M4x10mm 2PCS</p>
<p>J</p>  <p>8PCS</p>	<p>K</p>  <p>4PCS</p>	<p>L</p>  <p>8PCS</p>
<p>M</p>  <p>M4x16mm 4PCS</p>	<p>N</p>  <p>24+2PCS</p>	<p>O</p>  <p>M3x14mm 24+2PCS</p>
<p>P</p>  <p>M4x35mm 2PCS</p>	<p>Q</p>  <p>2PCS</p>	<p>R</p>  <p>Ø20 16+2PCS</p>

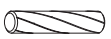
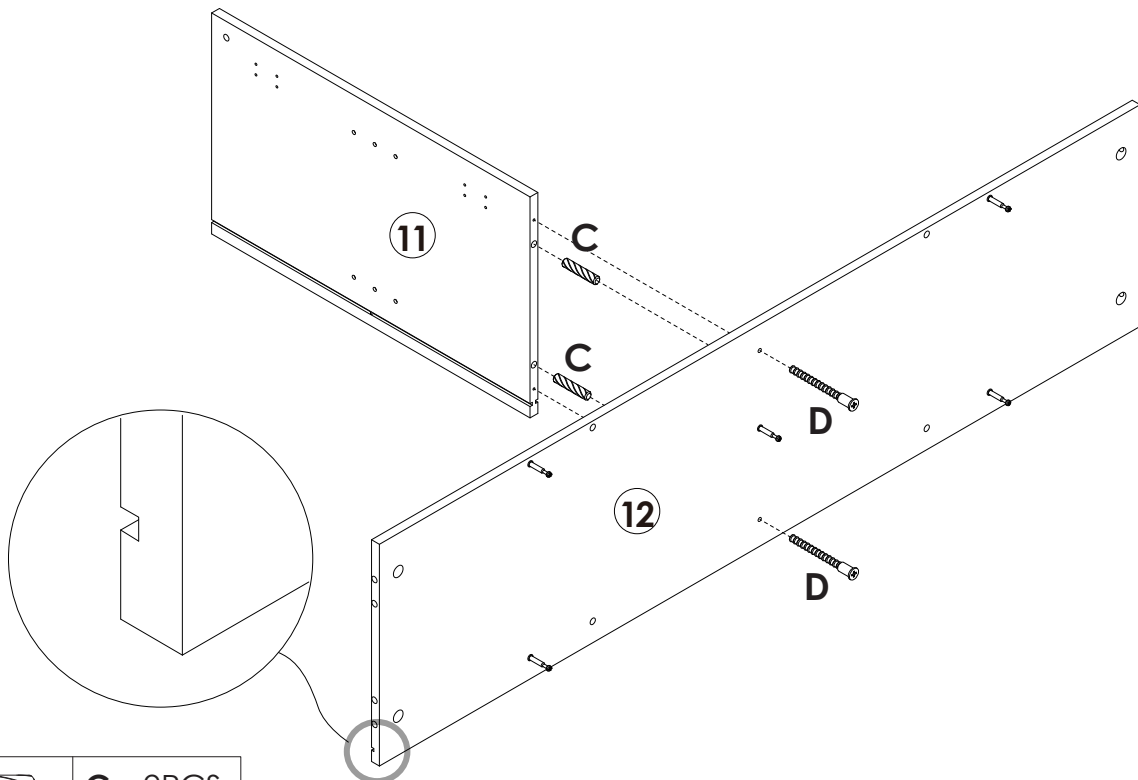
Assembly Steps(EN) / Montageschritte(DE)

STEP 1

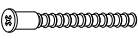


A x 9PCS

STEP 2



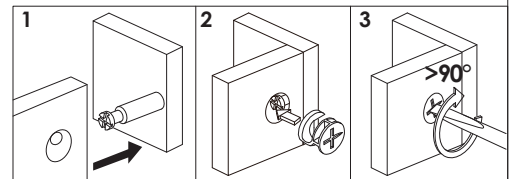
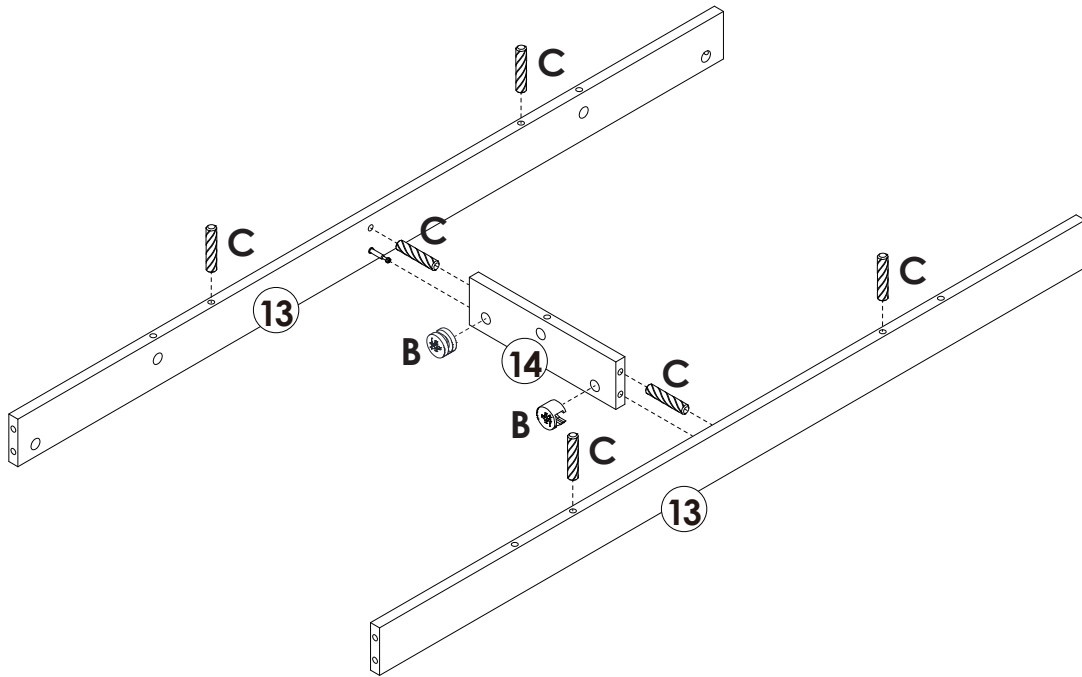
C x 2PCS





D x 2PCS

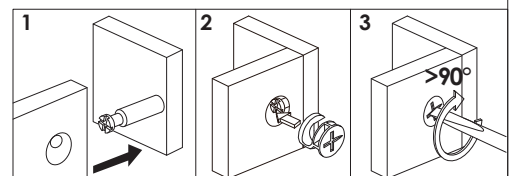
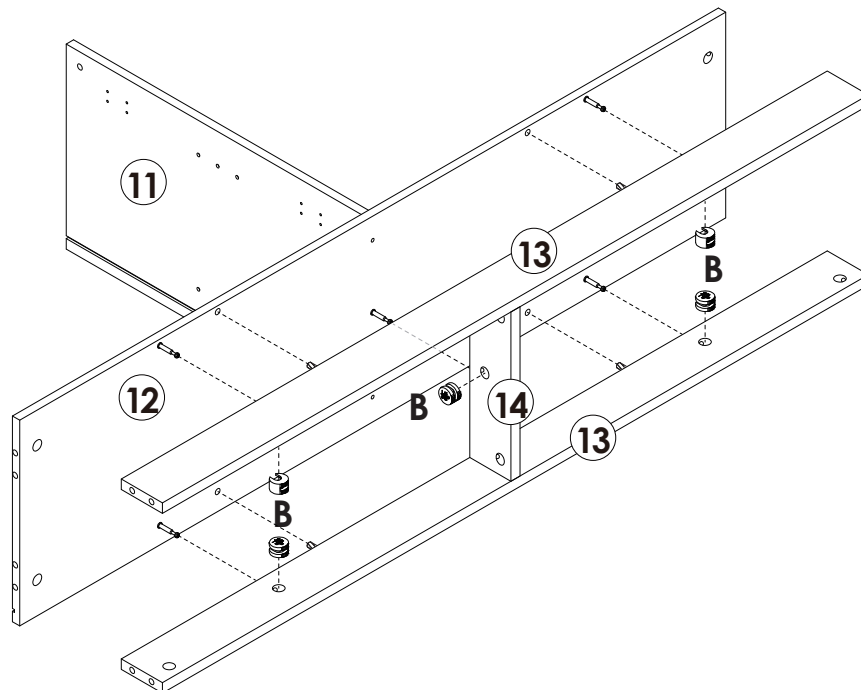
Assembly Steps(EN) / Montageschritte(DE)

STEP 3



	B x 2PCS
	C x 6PCS

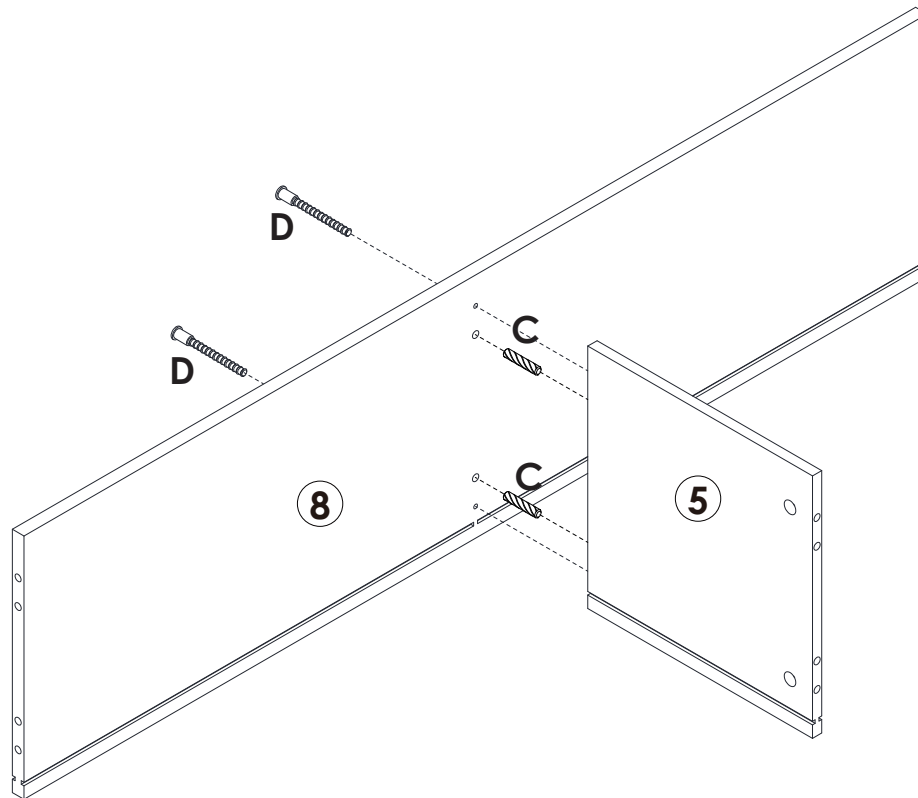
STEP 4

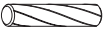
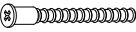


	B x 5PCS
---	-----------------

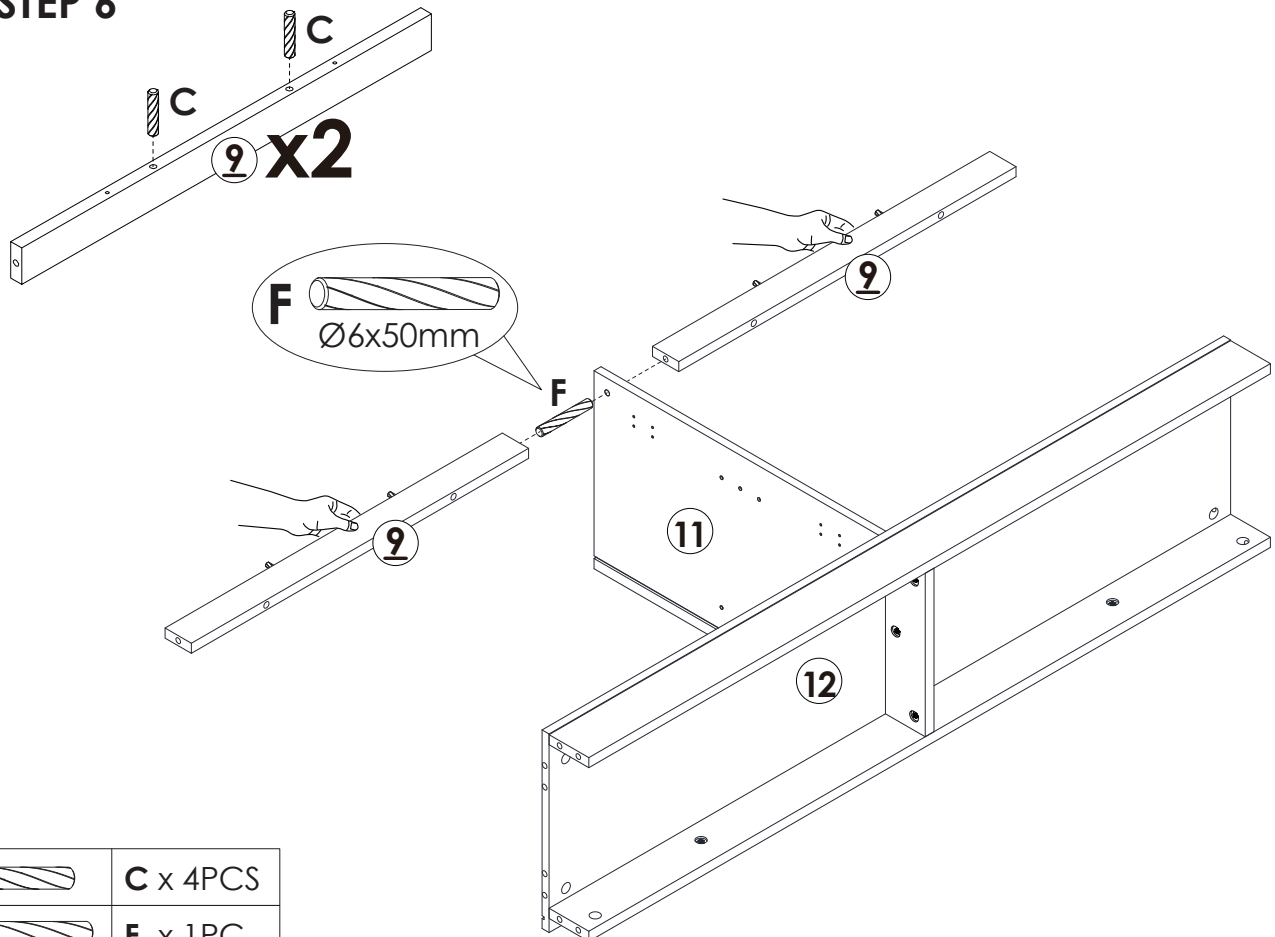
Assembly Steps(EN) / Montageschritte(DE)


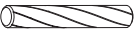
STEP 5



	C x 2PCS
	D x 2PCS

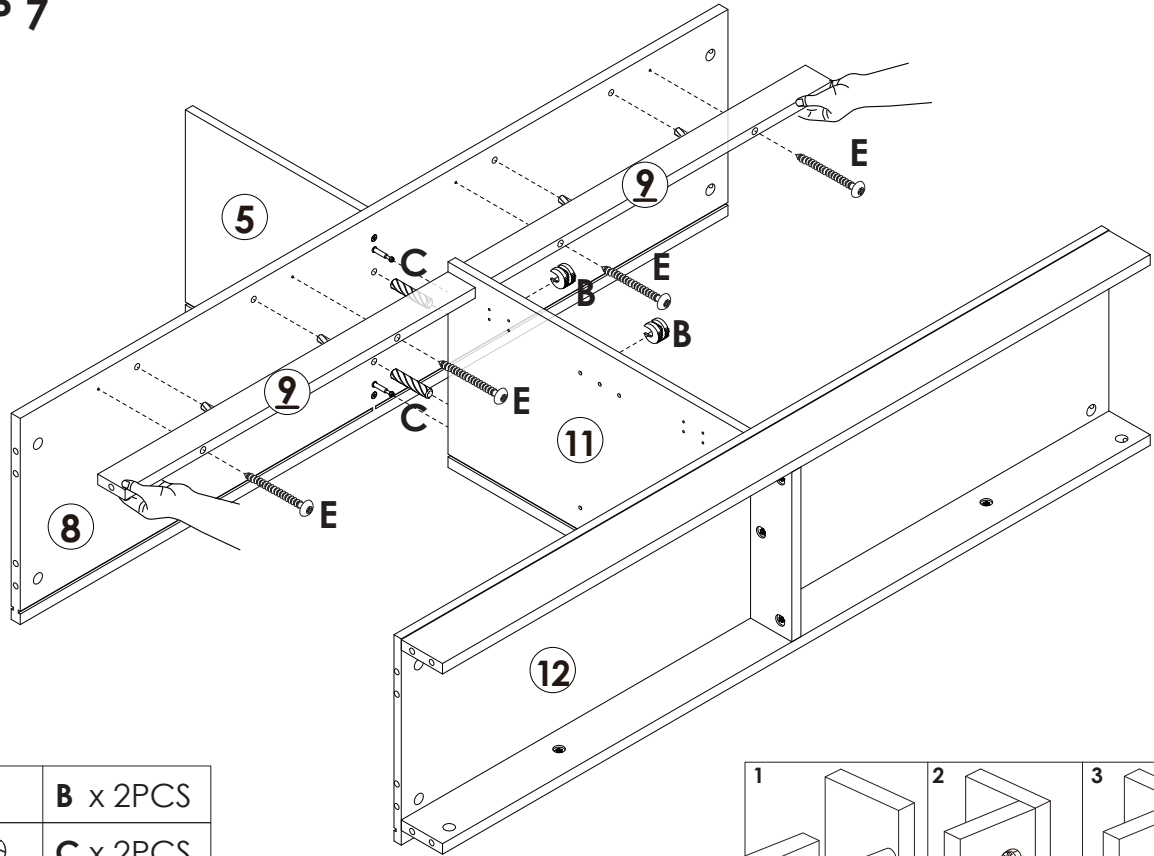
STEP 6



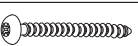


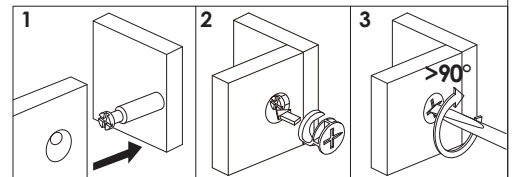
	C x 4PCS
	F x 1PC

Assembly Steps(EN) / Montageschritte(DE)

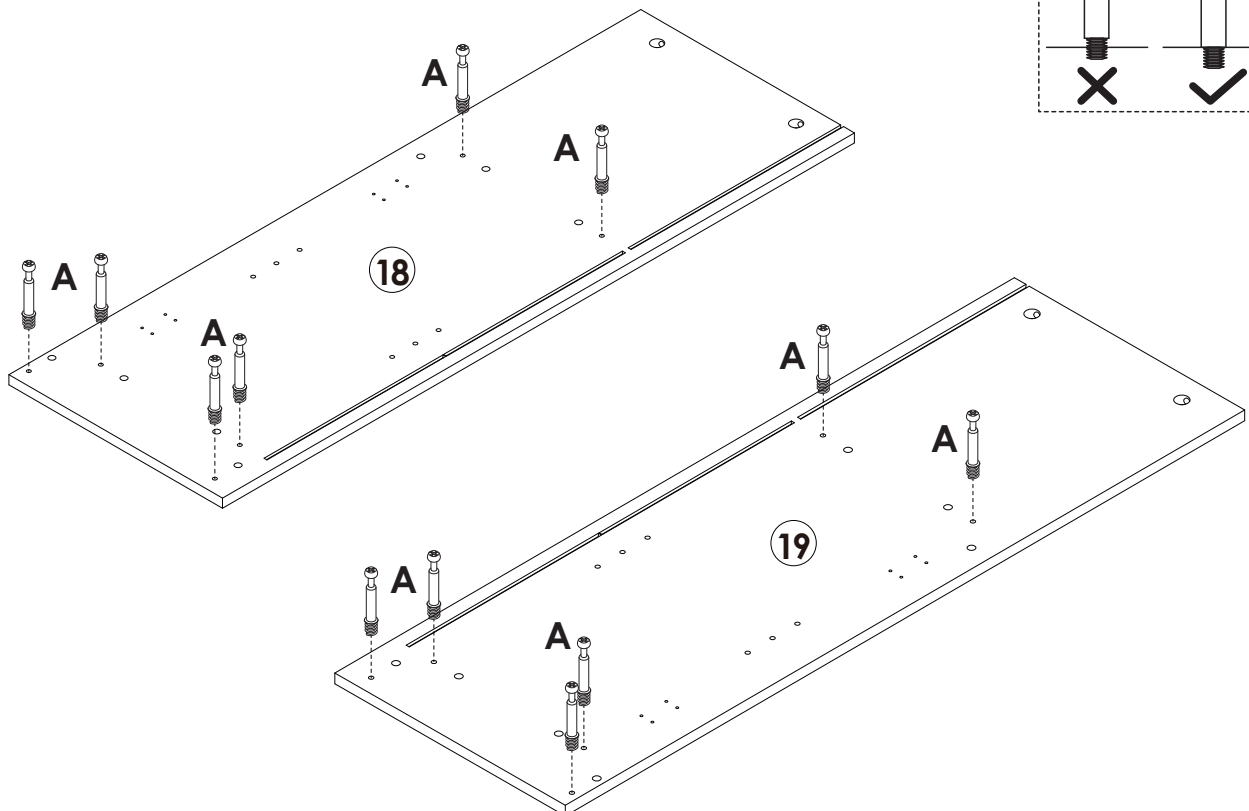
STEP 7



	B x 2PCS
	C x 2PCS
	E x 4PCS



STEP 8



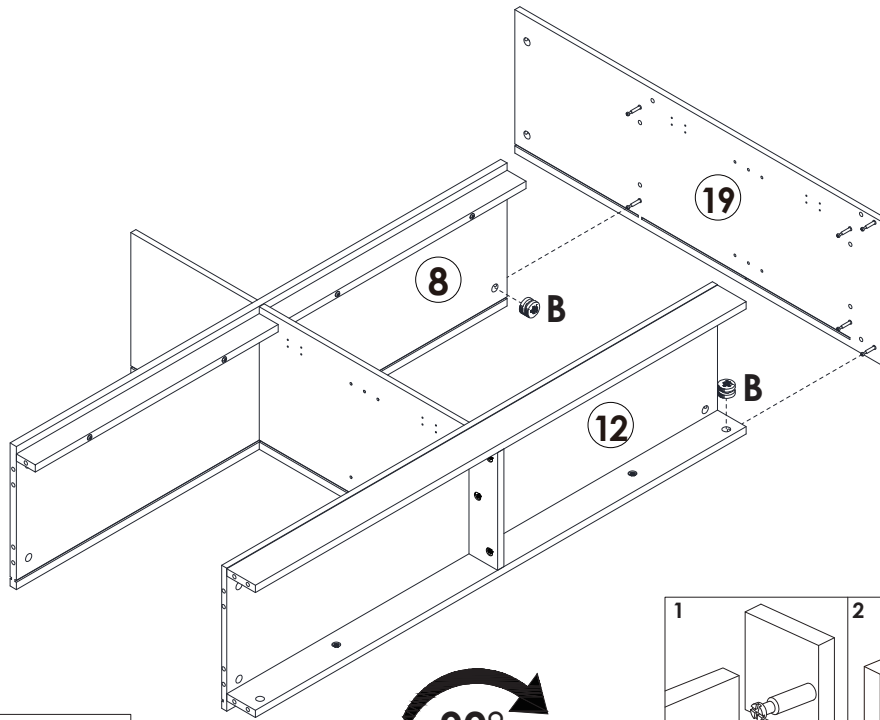
	A x 12PCS
---	------------------

Assembly Steps(EN) / Montageschritte(DE)

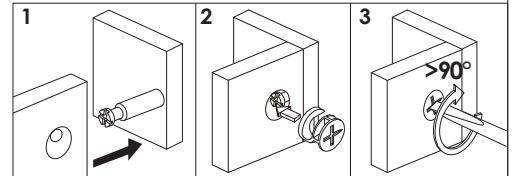
STEP 9



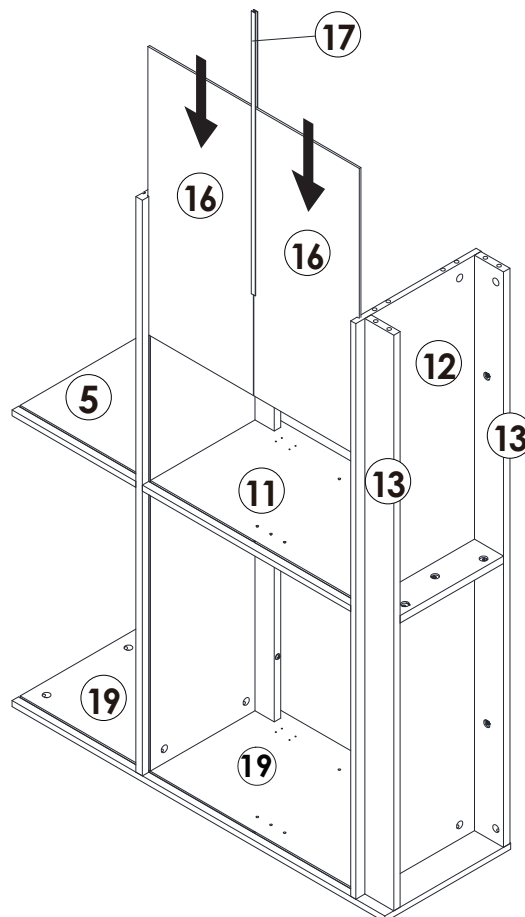
To easily assemble the right side cabinet, please install plate 19 and tighten the 2 accessories "B" before proceeding to the next step (in STEP 12, plate 19 will be loosened again to assemble the left side cabinet)



B x 2PCS

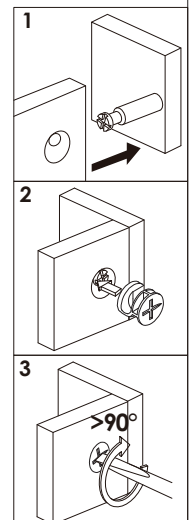
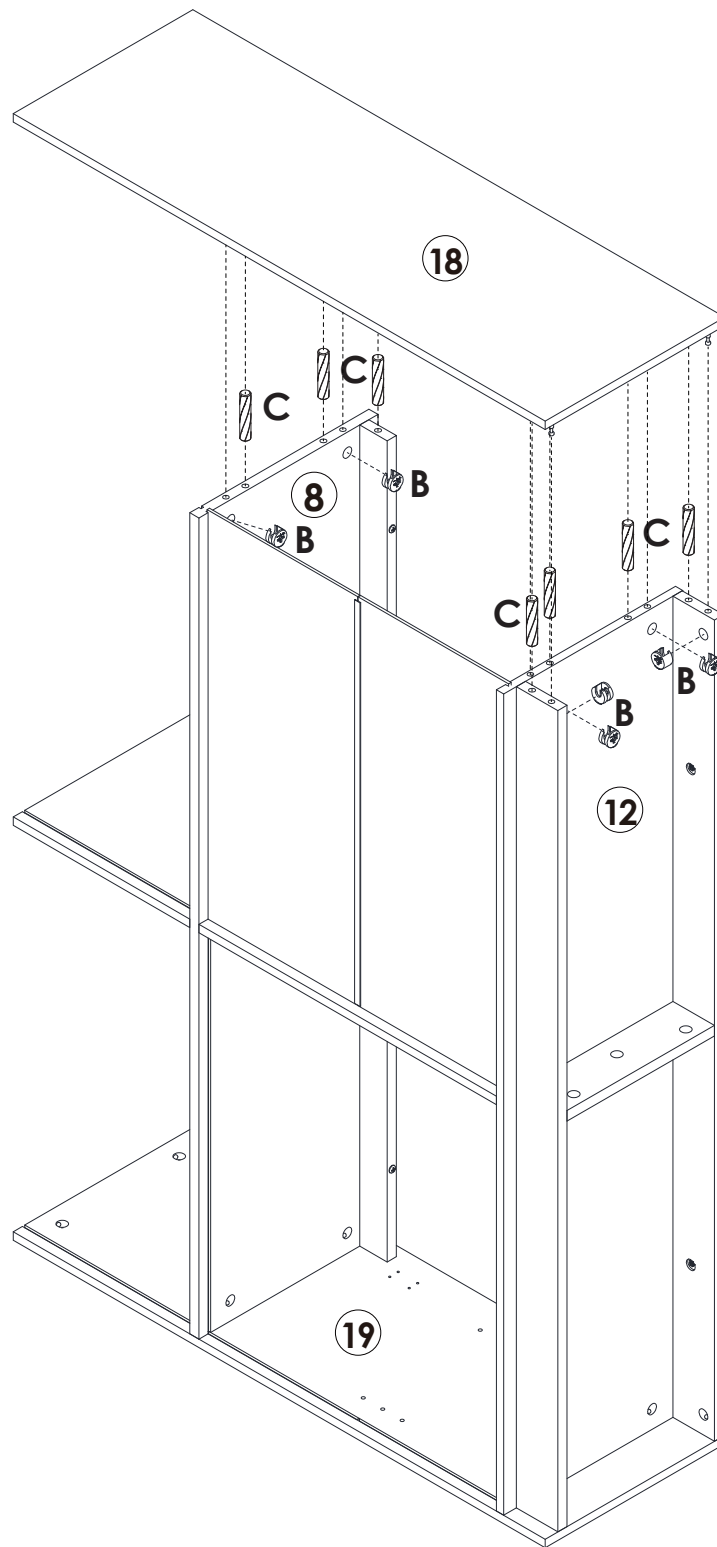




STEP 10



Assembly Steps(EN) / Montageschritte(DE)

STEP 11

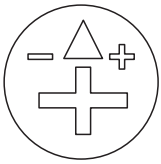


	B x 6PCS
	C x 7PCS



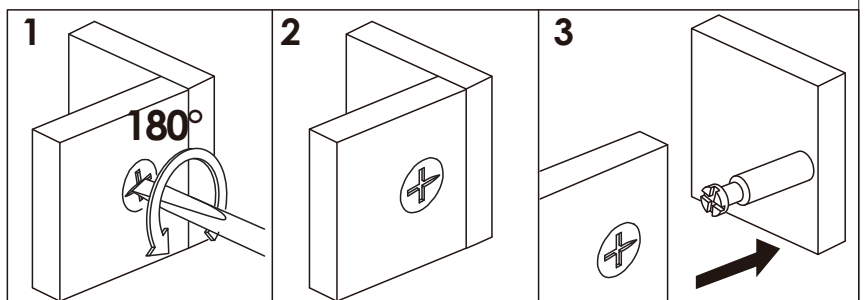
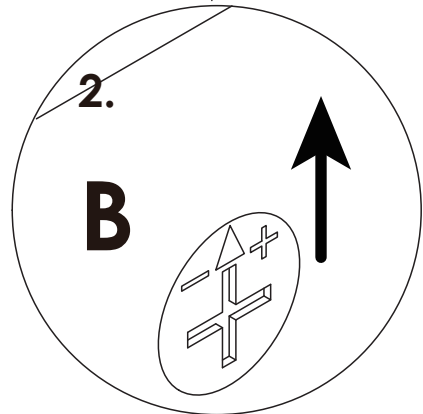
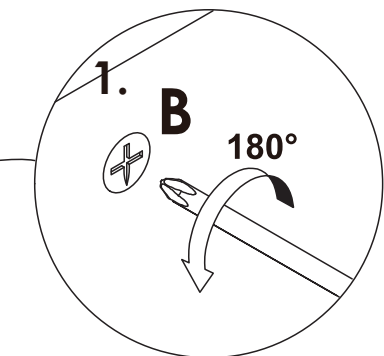
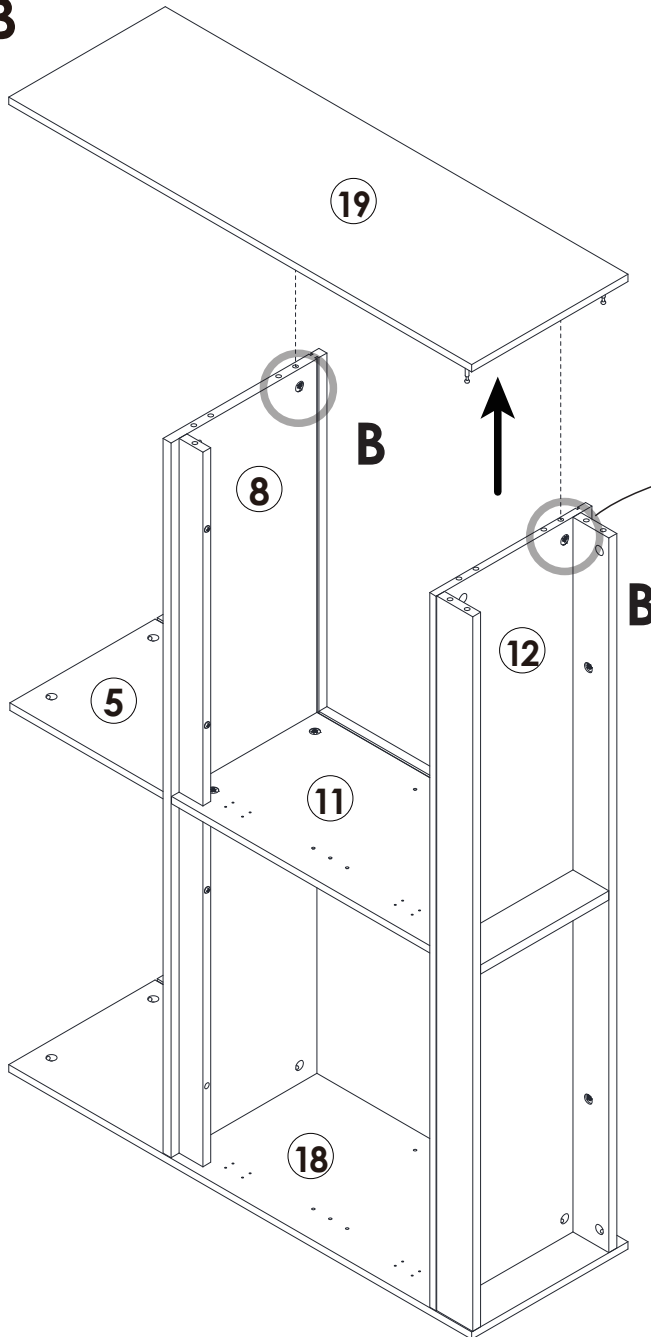
Assembly Steps(EN) / Montageschritte(DE)

STEP 12



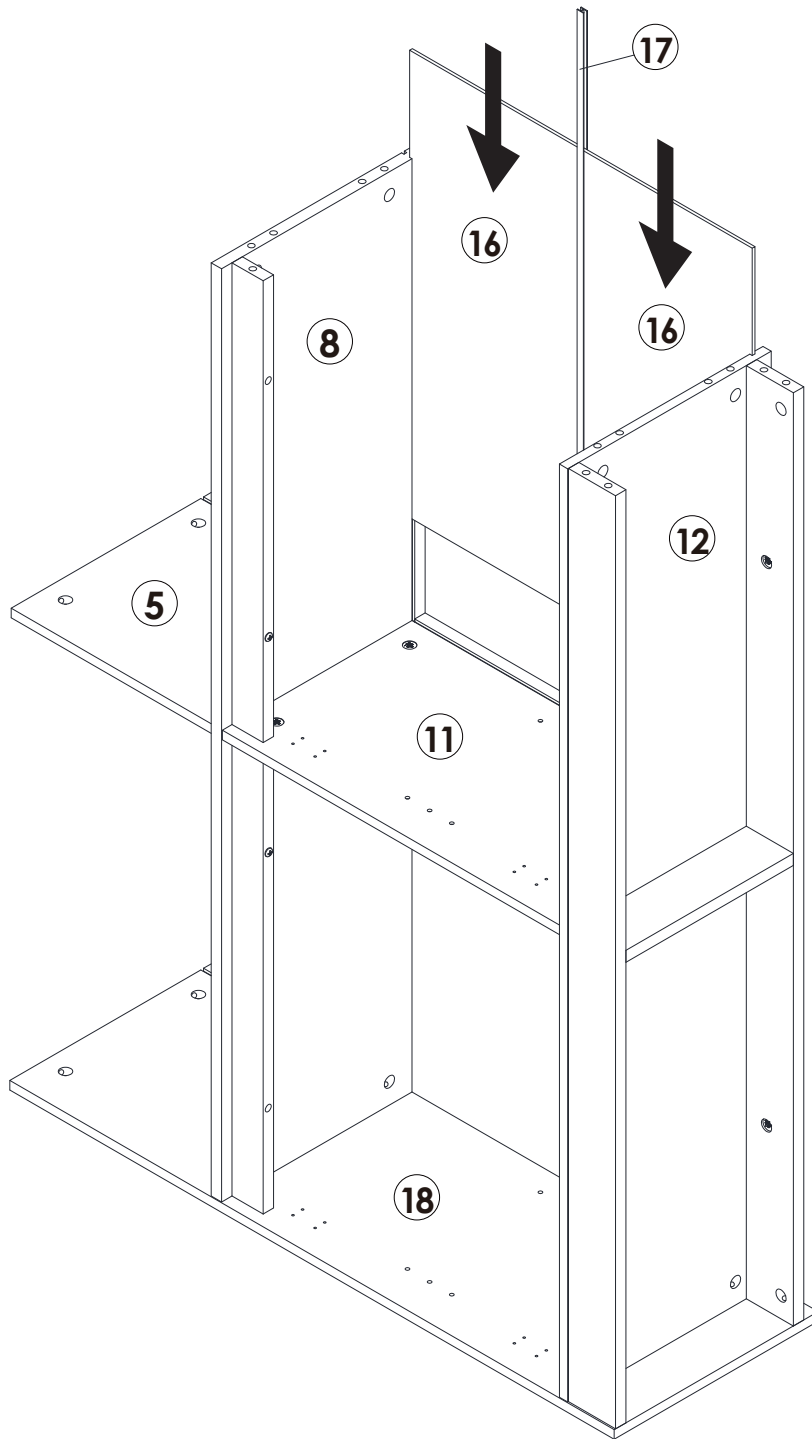
Note: Rotate the triangle icons on the 2 accessories "B" to face upwards before releasing the No.19 plate.

B



Assembly Steps(EN) / Montageschritte(DE)

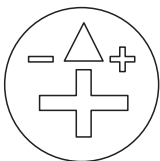
STEP 13



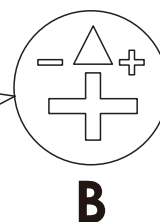
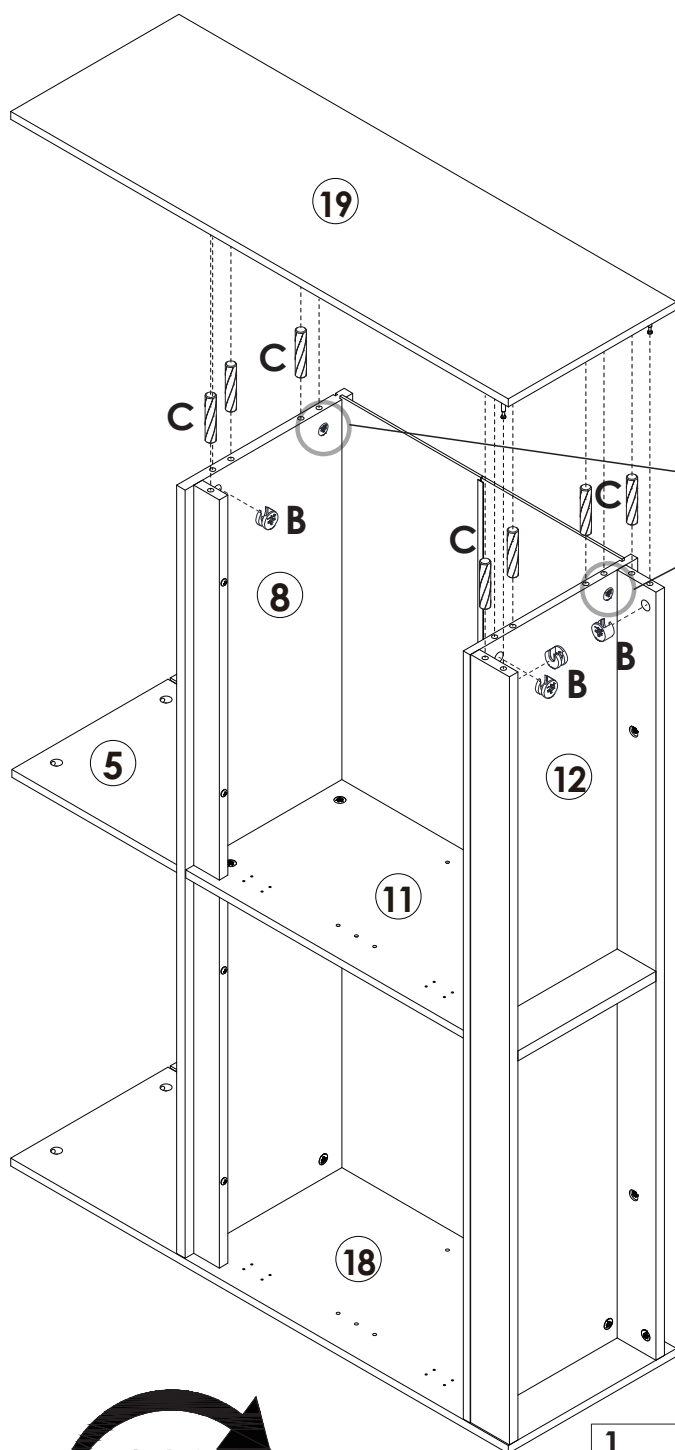
Assembly Steps(EN) / Montageschritte(DE)

STEP 14

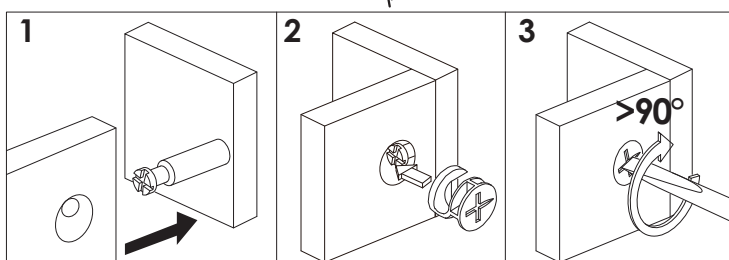
B





Note: If the screws "A" on plate #19 do not fully align with the holes and cannot be pushed down, please check whether the triangular arrow of the "B" fittings on plates #12 and #8 is pointing upwards.



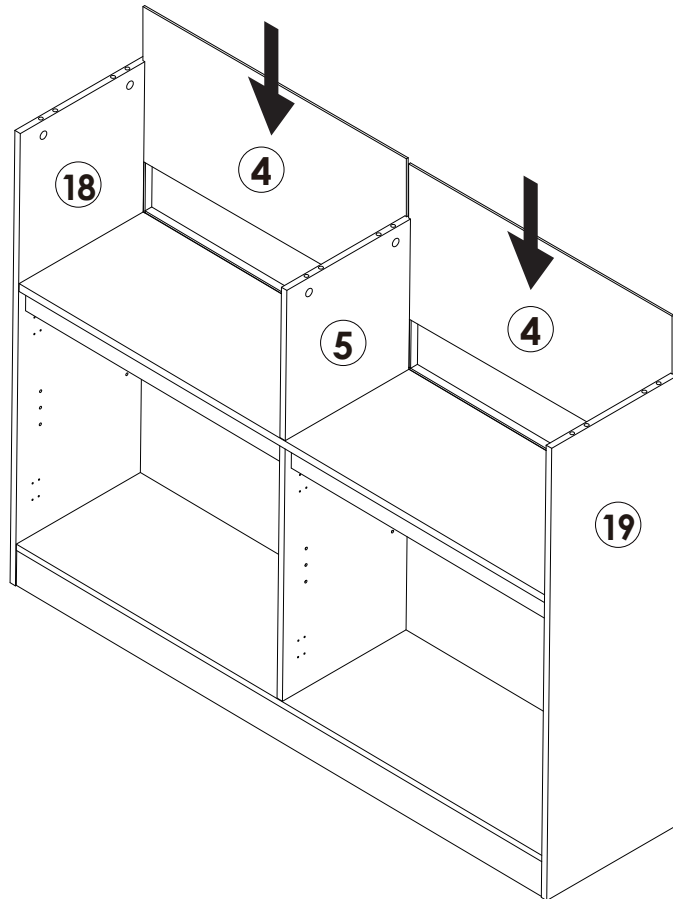
After aligning plate #19 with all the plate holes correctly, then tighten all the "B" fittings. Pay attention to the direction (see picture).



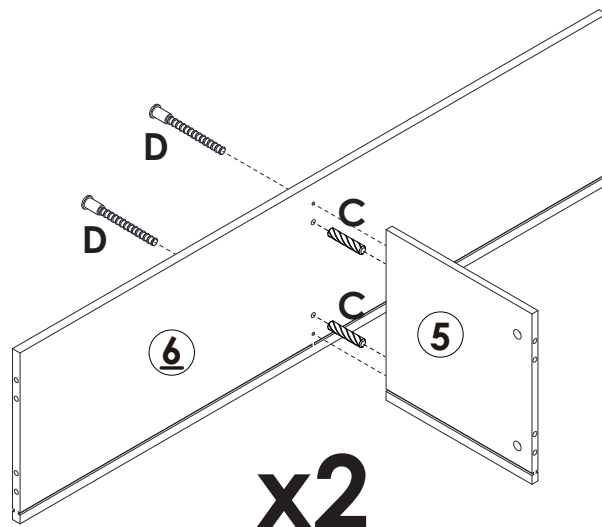
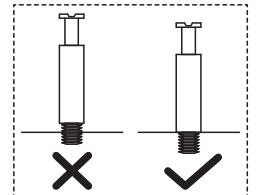
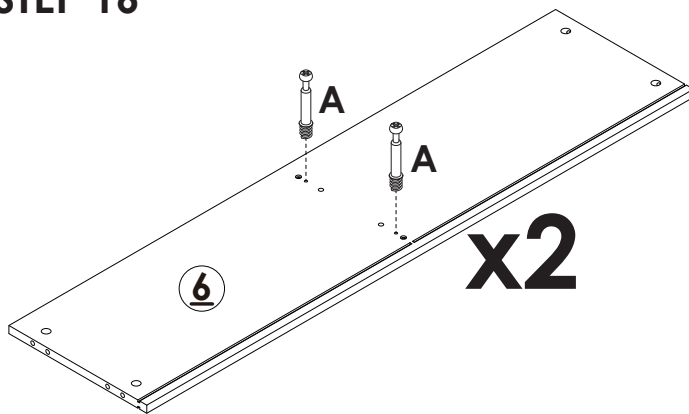
	B x 4PCS
	C x 7PCS

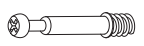

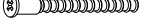
Assembly Steps(EN) / Montageschritte(DE)

STEP 15



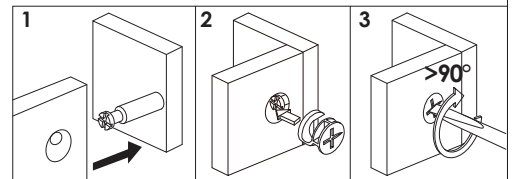
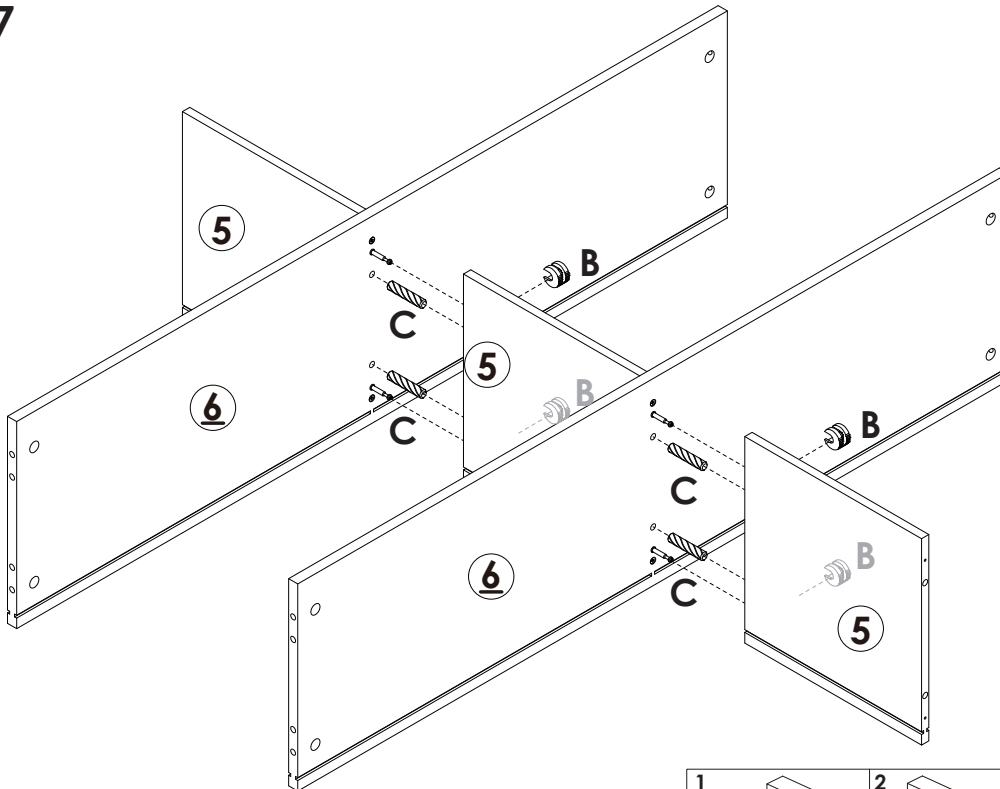
STEP 16





	A x 4PCS
	C x 4PCS
	D x 4PCS

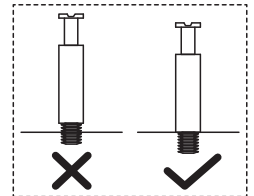
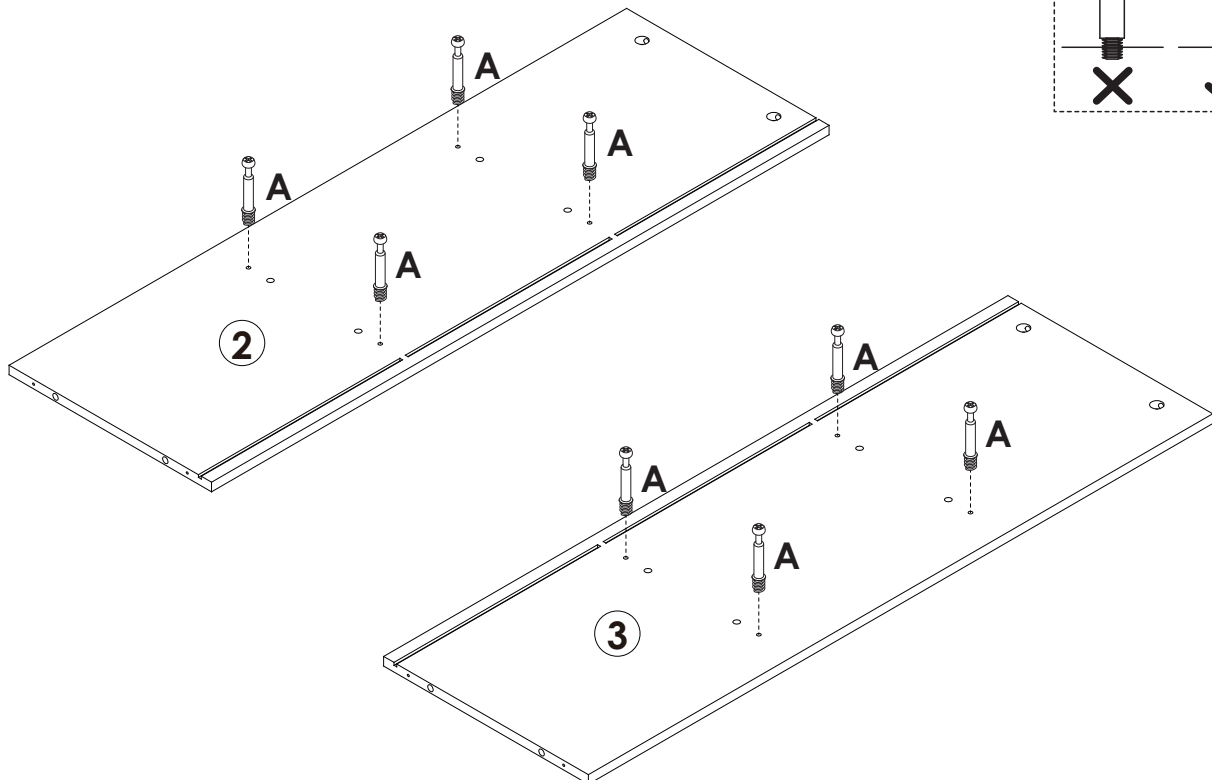
Assembly Steps(EN) / Montageschritte(DE)

STEP 17



	B x 4PCS
	C x 4PCS

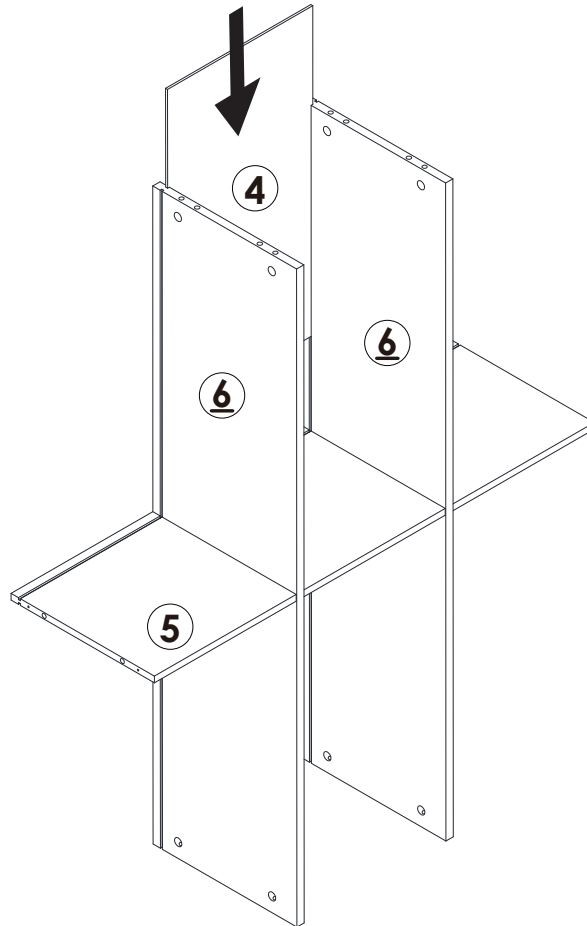
STEP 18



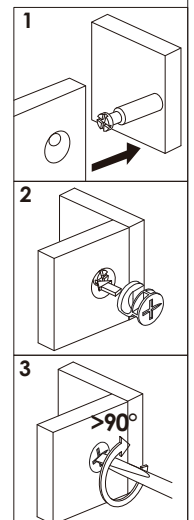
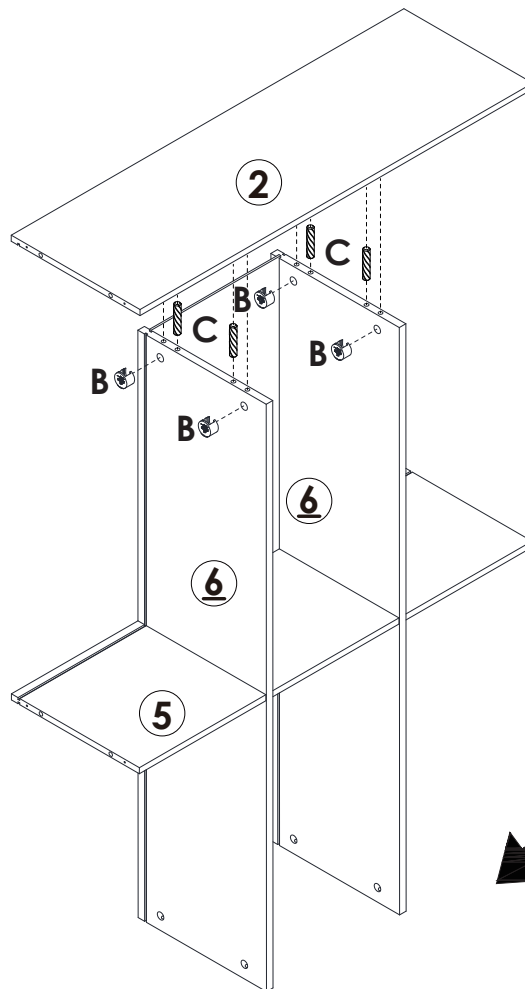
	A x 8PCS
---	-----------------

Assembly Steps(EN) / Montageschritte(DE)



STEP 19



STEP 20

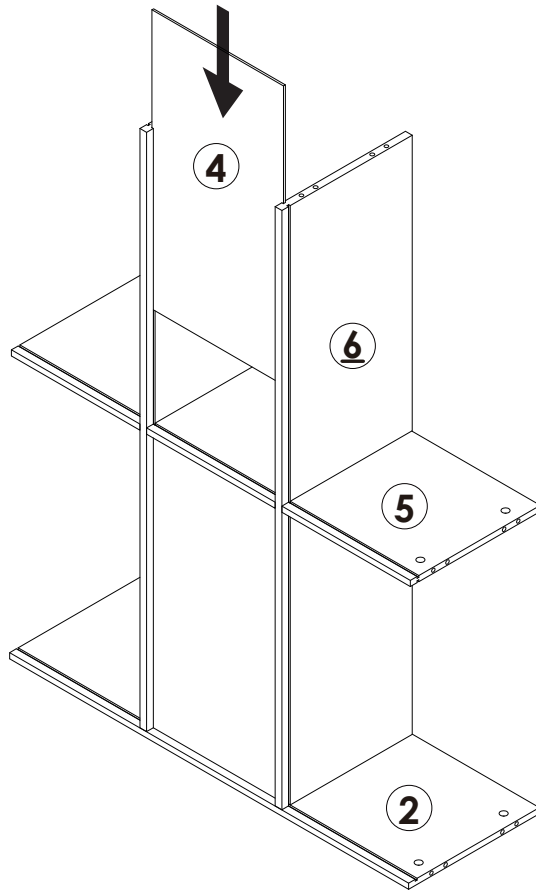


180°

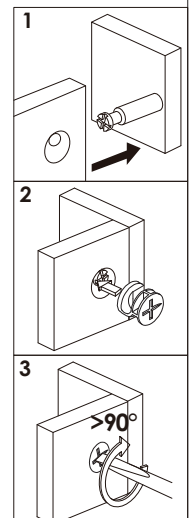
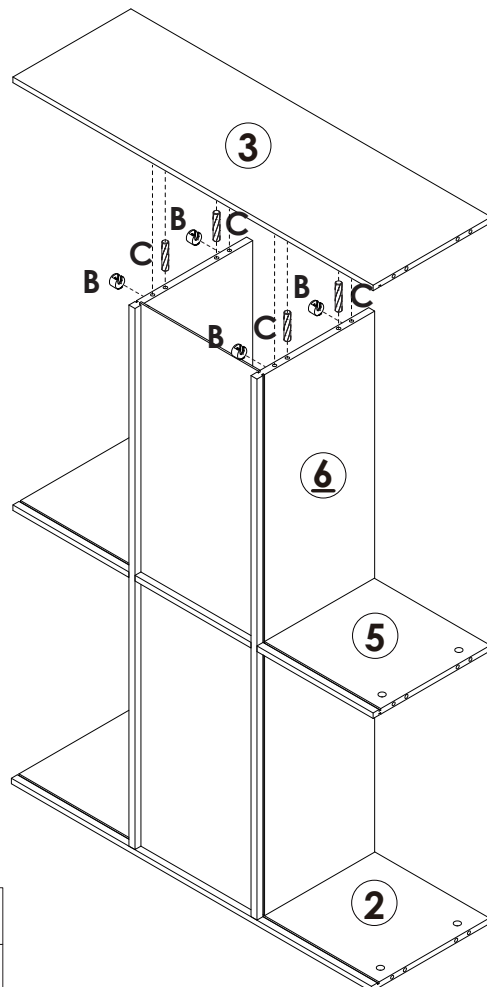
	B x 4PCS
	C x 4PCS



Assembly Steps(EN) / Montageschritte(DE)

STEP 21



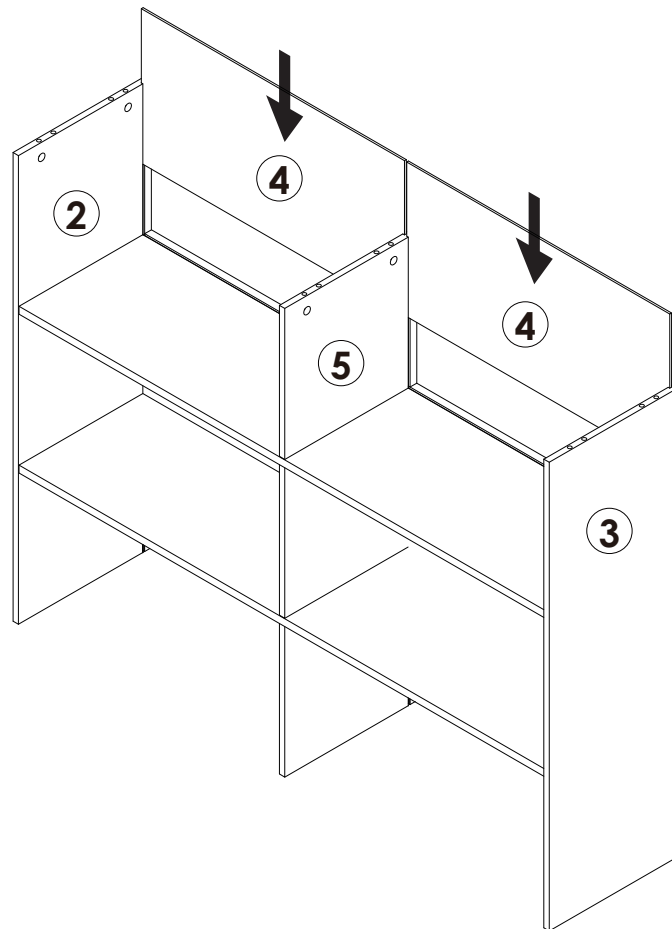
STEP 22



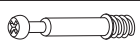
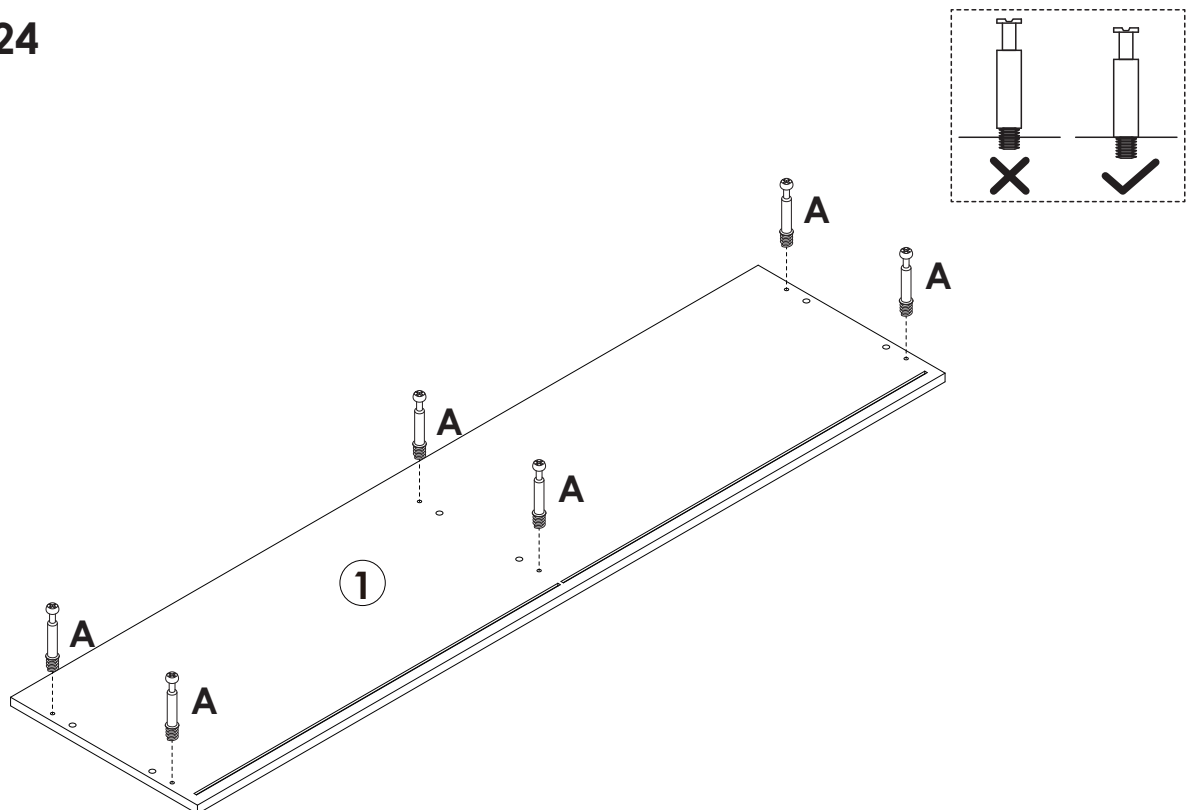
	B x 4PCS
	C x 4PCS

Assembly Steps(EN) / Montageschritte(DE)

STEP 23



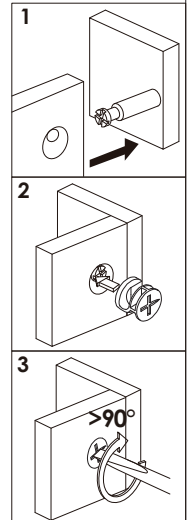
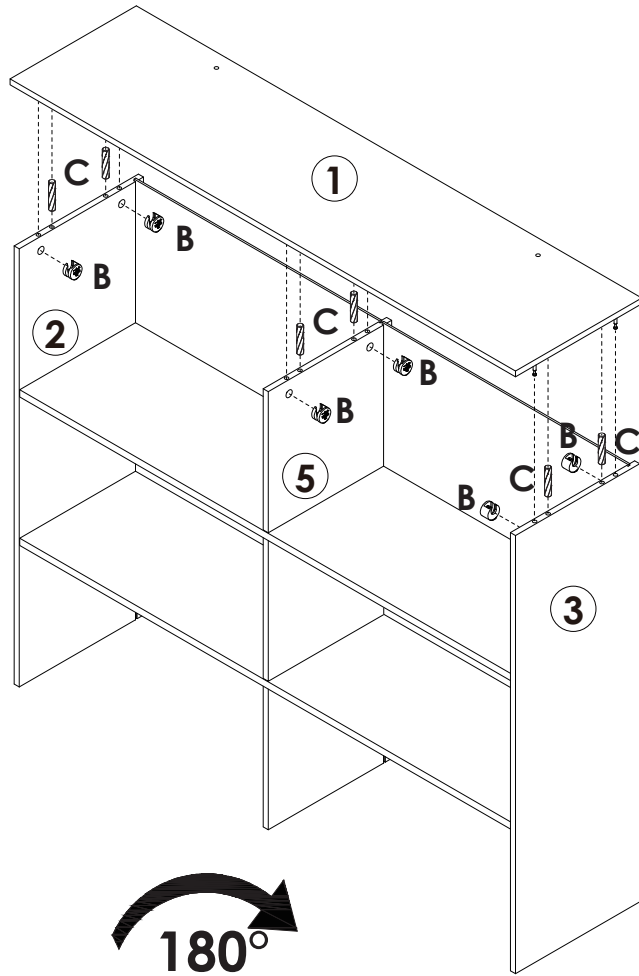
STEP 24


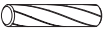


A x 6PCS

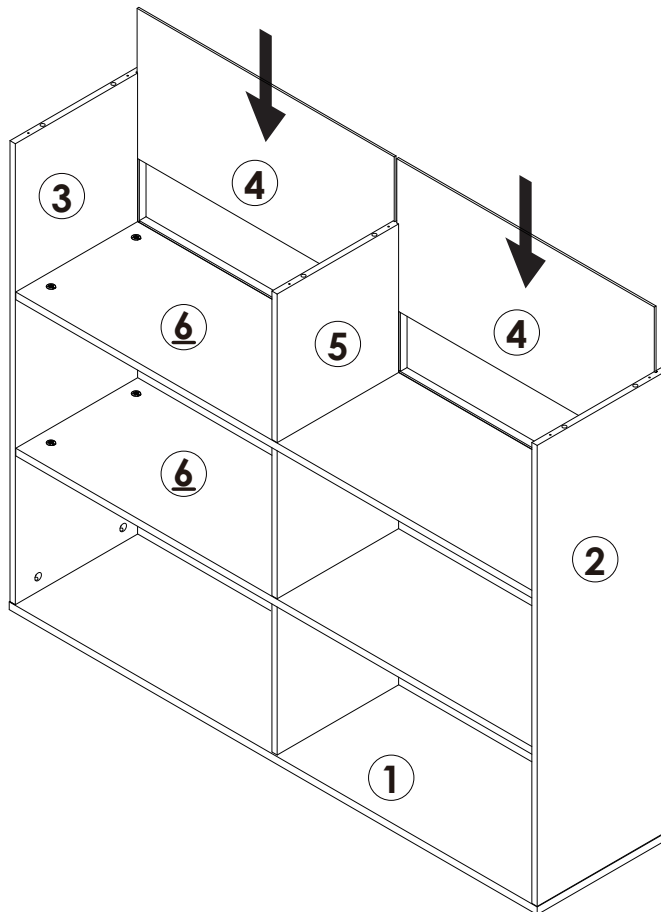
Assembly Steps(EN) / Montageschritte(DE)

STEP 25



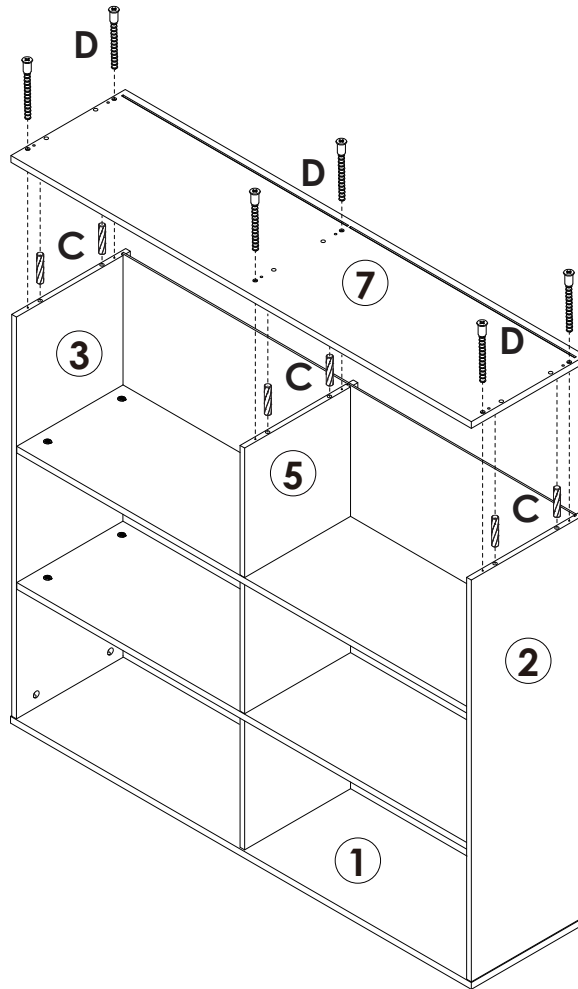
	B x 6PCS
	C x 6PCS


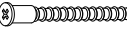
STEP 26



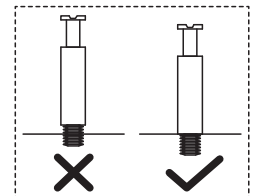
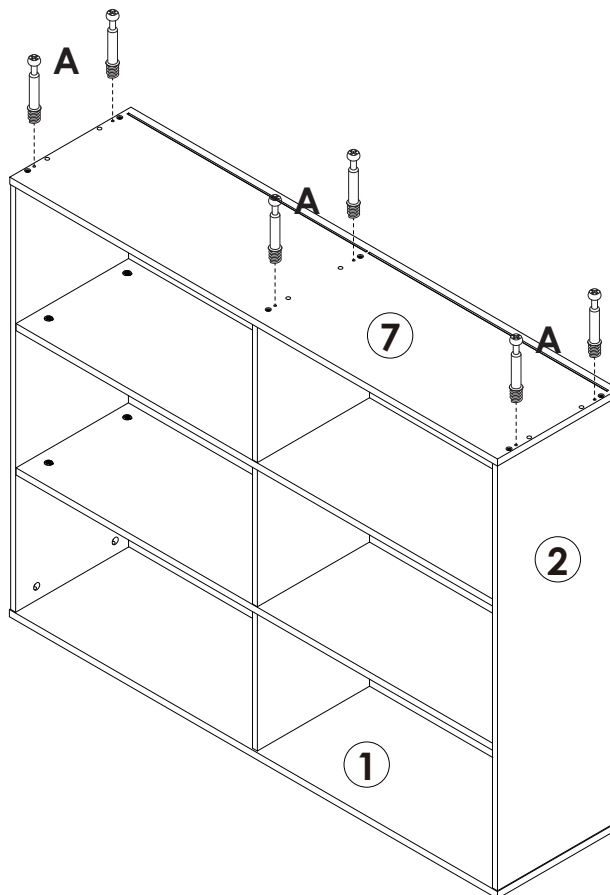
Assembly Steps(EN) / Montageschritte(DE)

STEP 27



	C x 6PCS
	D x 6PCS


STEP 28

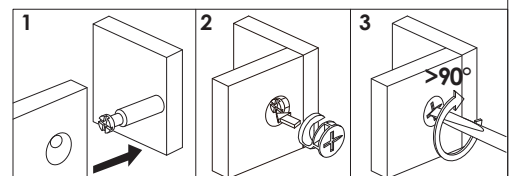
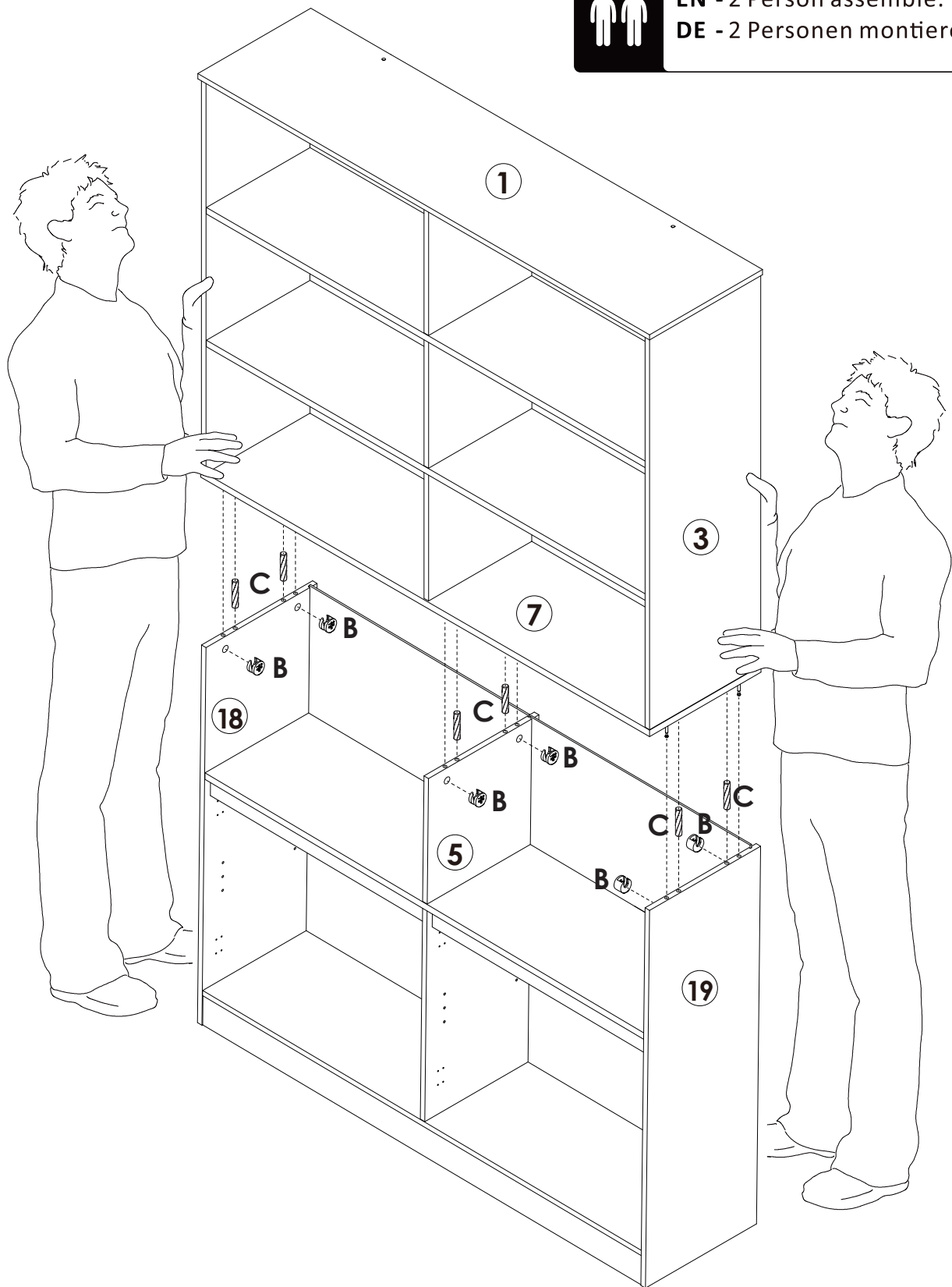




	A x 6PCS
---	----------

Assembly Steps(EN) / Montageschritte(DE)

STEP 29


EN - 2 Person assemble.
DE - 2 Personen montieren.

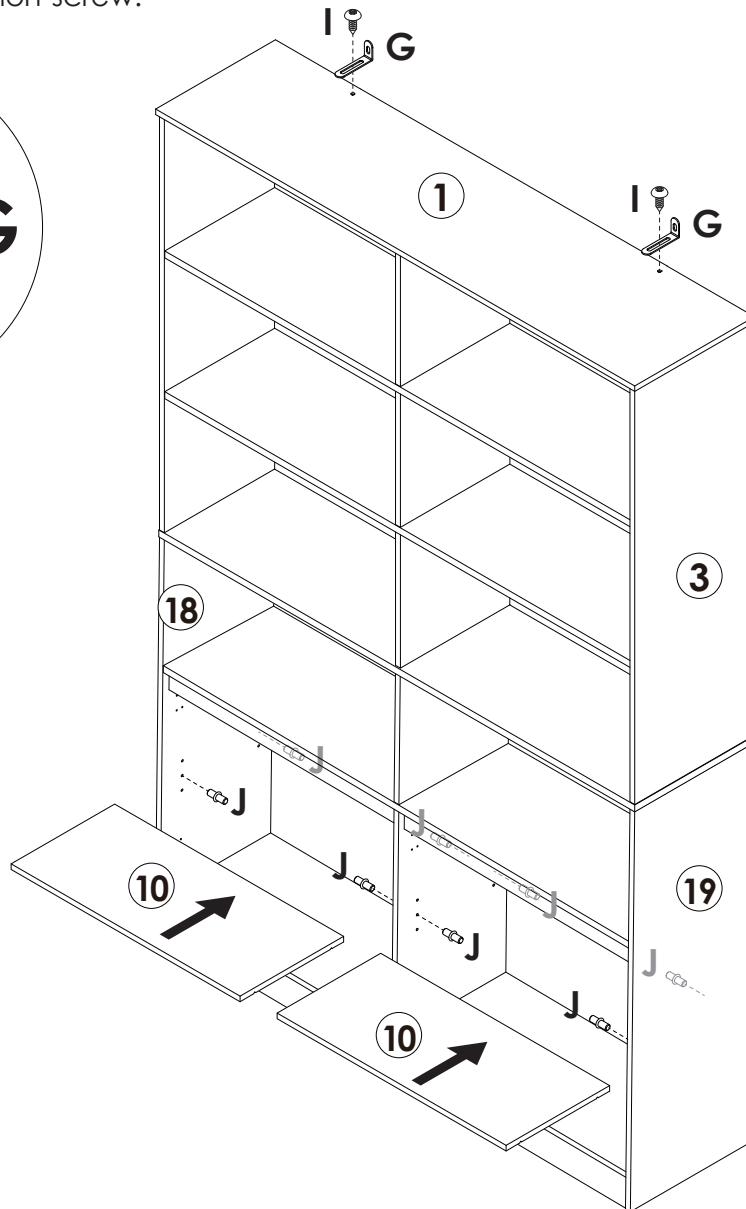
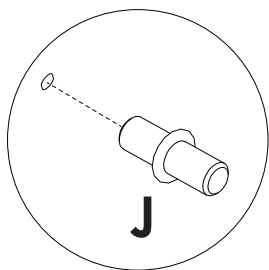
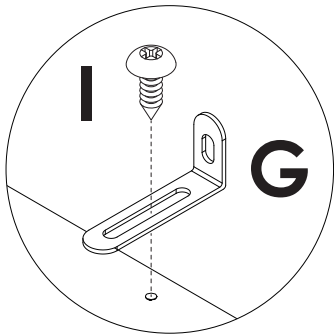


	B x 4PCS
	C x 4PCS

Assembly Steps(EN) / Montageschritte(DE)

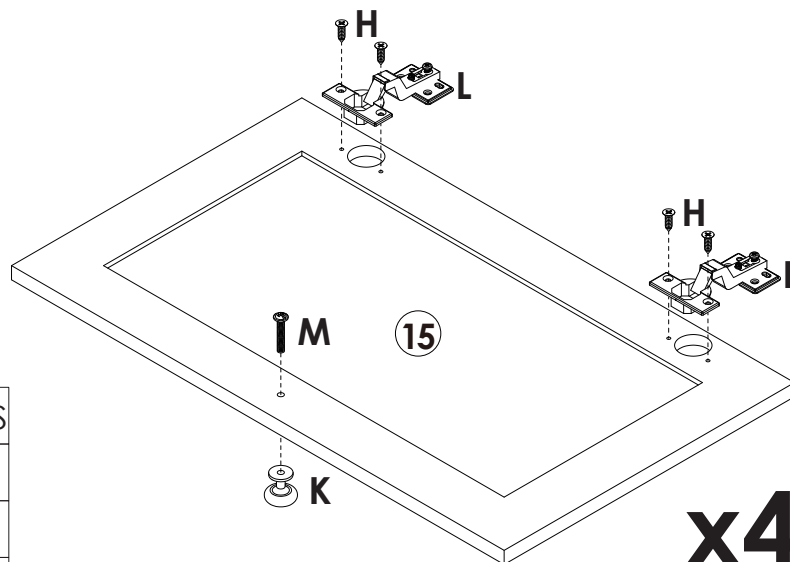
STEP 30

Lock the long side of the "G" L-shaped metal plate to the ① board with the "I" short screw.



	G x 2PCS
	I x 2PCS
	J x 8PCS

STEP 31

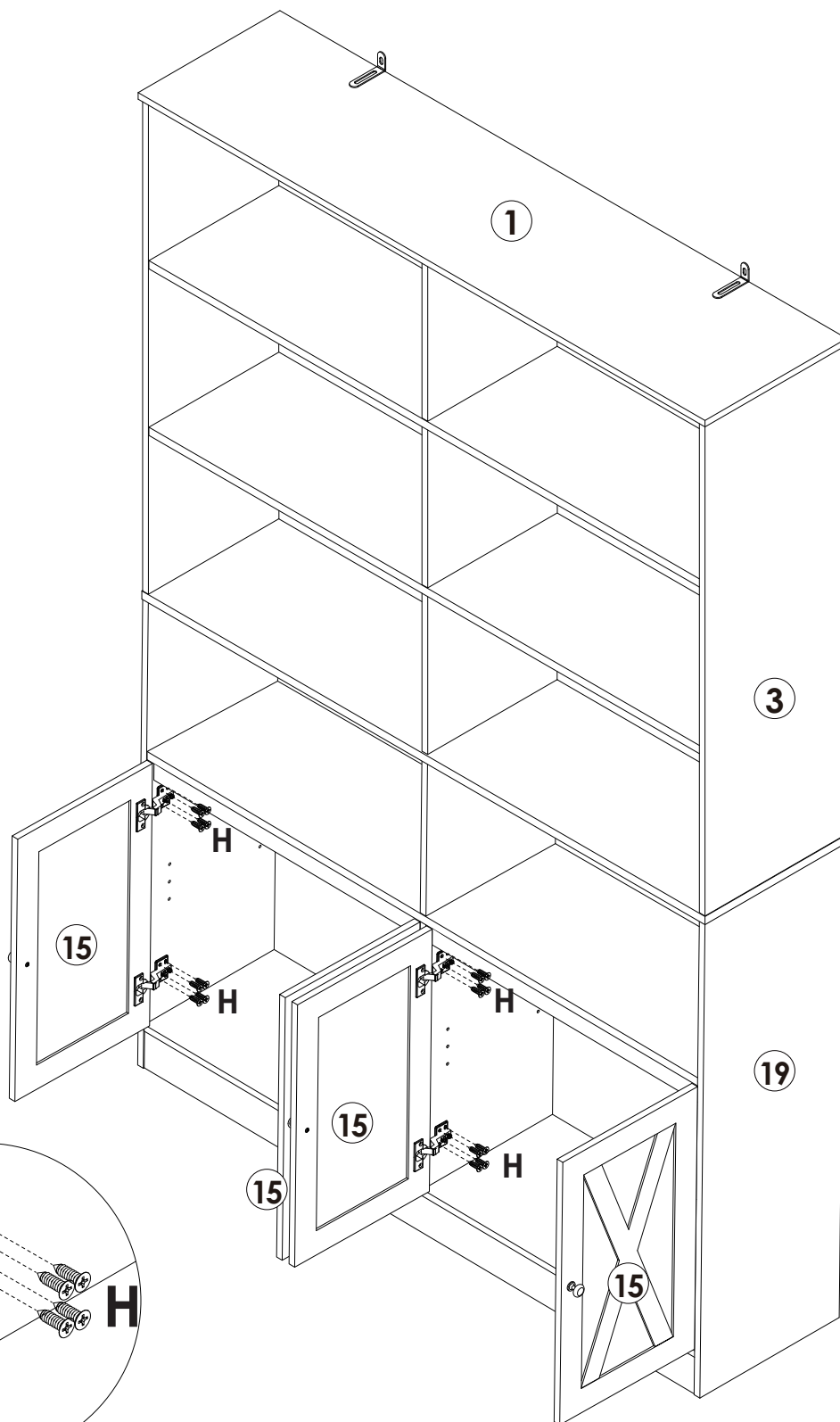


x4

	H x 16PCS
	K x 4PCS
	L x 8PCS
	M x 4PCS

Assembly Steps(EN) / Montageschritte(DE)

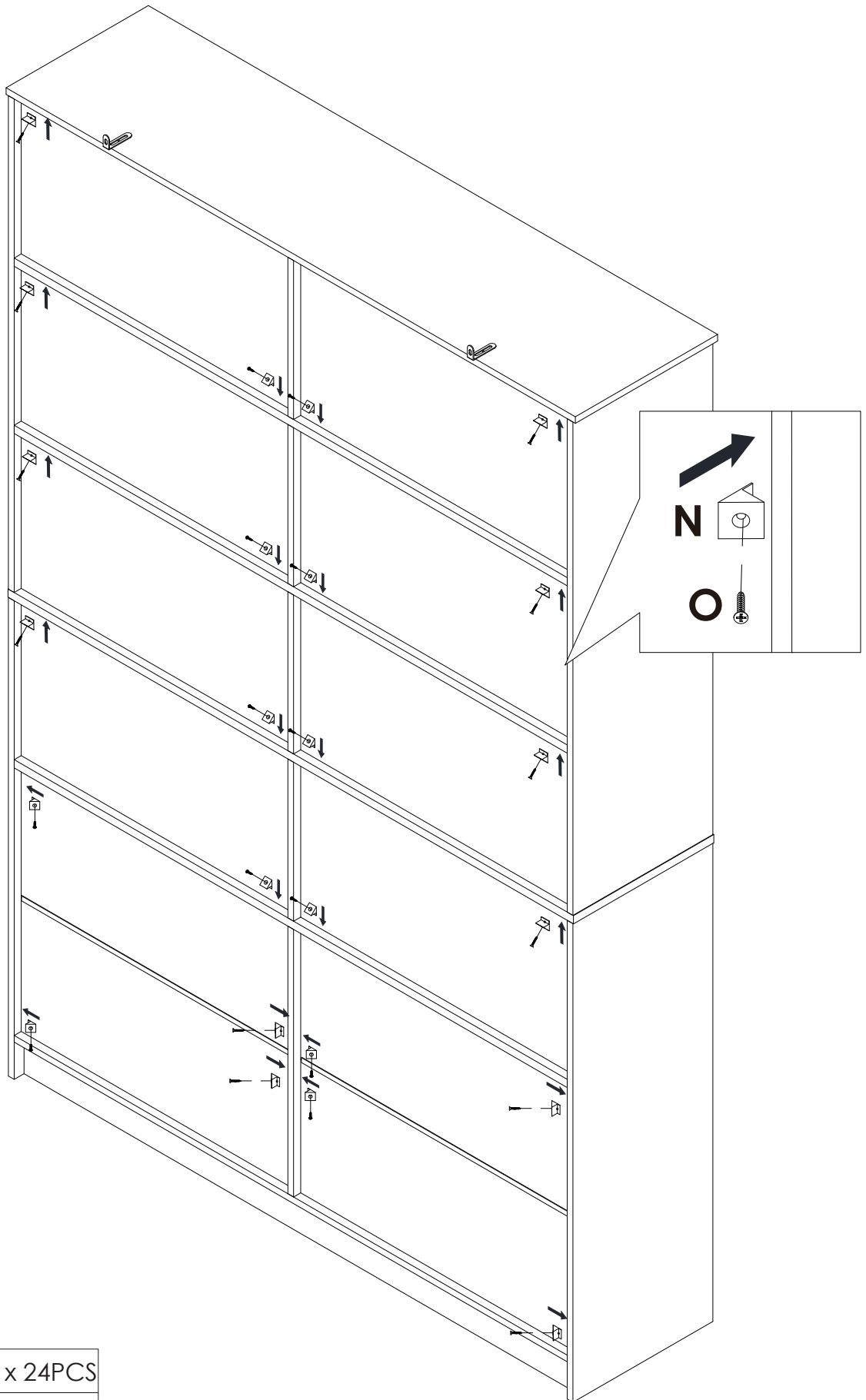
STEP 32



H x 32PCS

Assembly Steps(EN) / Montageschritte(DE)

STEP 33



N x 24PCS

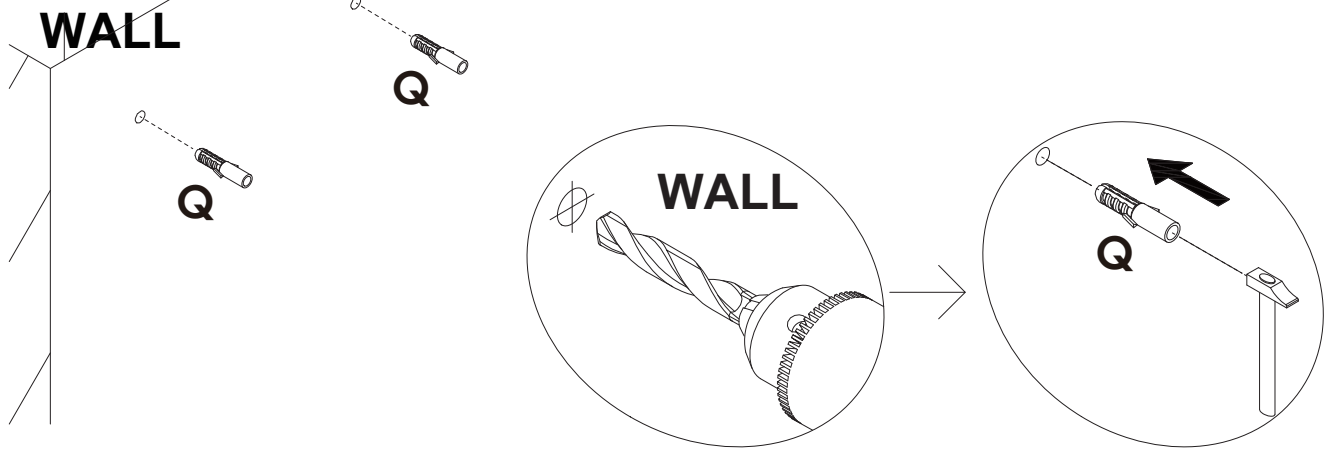


O x 24PCS

Assembly Steps(EN) / Montageschritte(DE)

STEP 34

Drill 2 holes on the wall at the required position for anti-falling device installation.

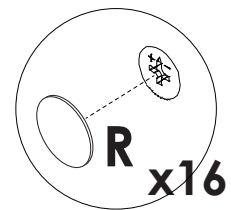
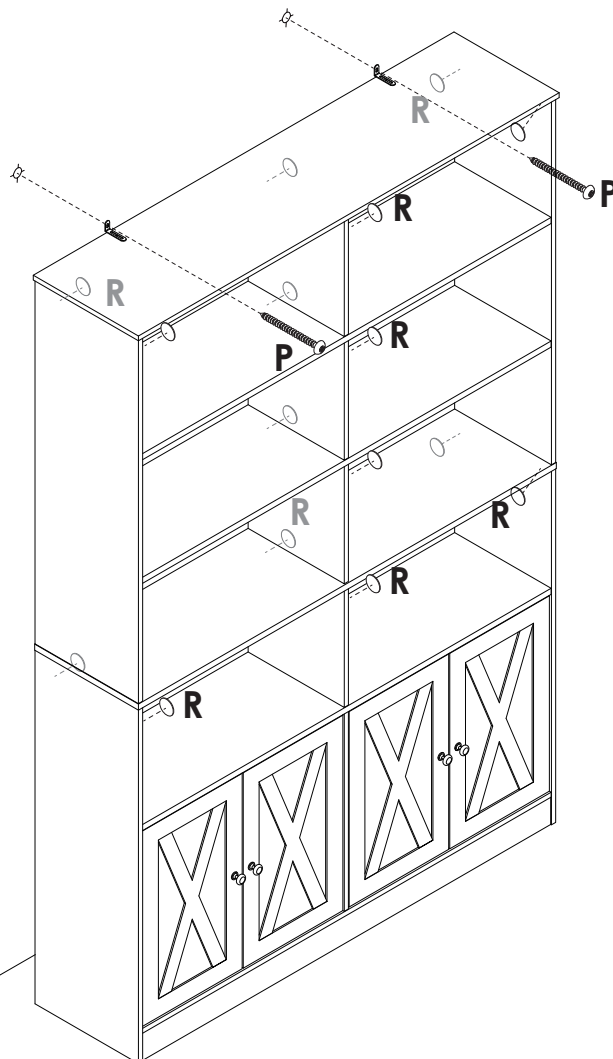


Q x 2PCS

STEP 35

Move the cabinet to the required position, use the "P" long screw to fix the cabinet to the wall.

WALL



R x16



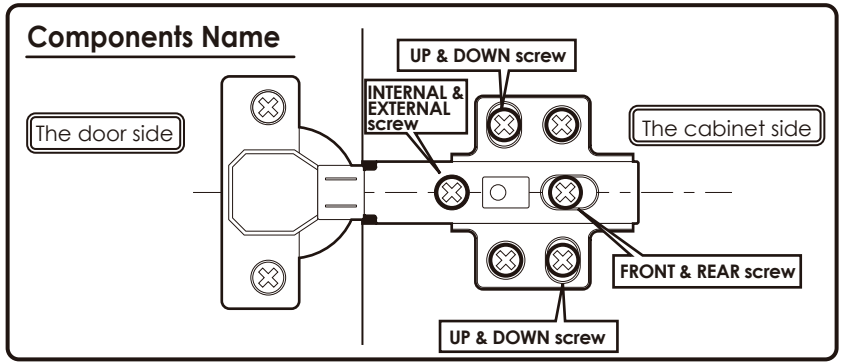
P x 2PCS



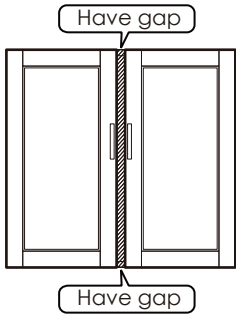
R x 16PCS

The ways to adjust the door

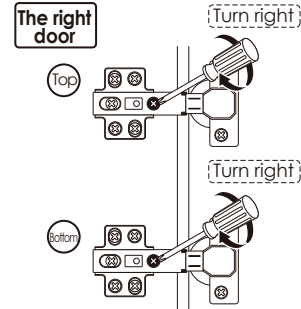
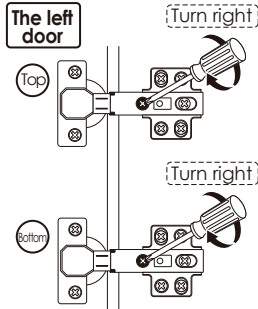
- Before adjusting the hinge, please check whether the cabinet is skewed.
- If the skew can not be repaired, please remove the anti-tipping device first, then adjust the cabinet to vertical position.
- Please adjust the hinge with the door open.
- Please operate it with more than 2 people, one person holds the door and the other one adjusts the screw.



Obvious gaps between doors or Doors don't look closed



1 Turn "internal & external screw" to the right can make the door approach inside. Please adjust the doors little by little.



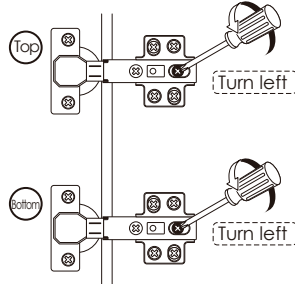
※ If the 2 doors are overlap, please turn the "internal & external screw" to the left.

When door is crooked

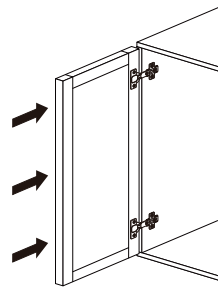


Please take the following steps to adjust first.

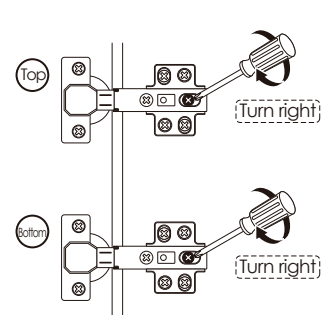
1 Rotate the "front and rear screws" to the left



2 Push the door to the cabinet

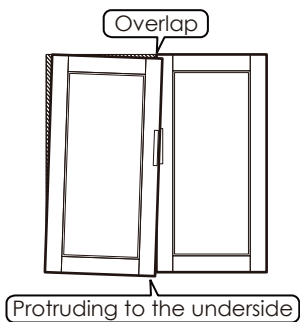


3 Rotate the "front and rear screws" to the right

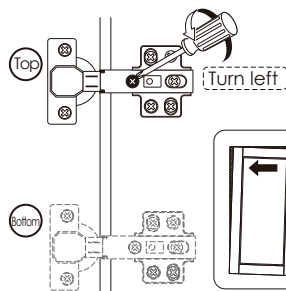


※ After adjusting the "front and rear screw", the door still does not change, please turn the "internal & external screw" to the right slightly.

When door is leaning



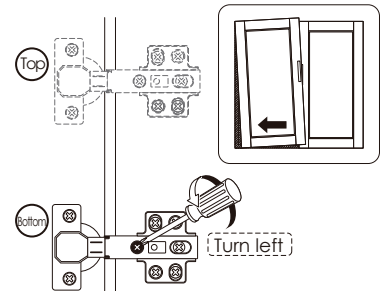
1 Turn "internal & external screw" to the left can make the top of the door tilted outward.



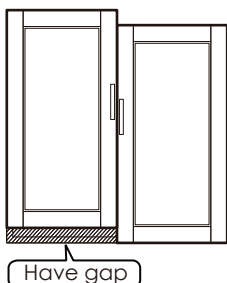
Protruding to the upside



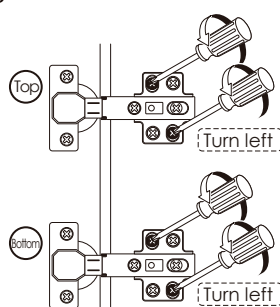
1 Turn "internal & external screw" to the left can make the bottom of the door tilted outward.



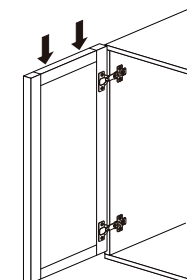
When the door is higher on top



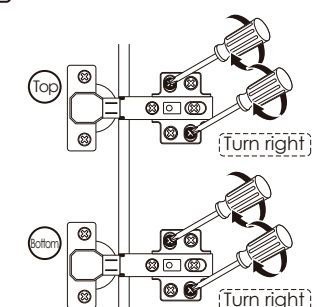
1 Turn "up & down screw" to the left



2 Lower the door's height so that 2 doors are of the same height.



3 Turn "up & down screw" to the right



※ If the door is lower on bottom, please lift up the left door slightly on step 2



WARNING



Children have died from furniture tipover. To reduce the risk of furniture tipover:

- **ALWAYS** install Anti-tip device provided.
- **NEVER** put a TV on this product.
- **NEVER** allow children to stand, climb or hang on any drawers, doors, or shelves.
- **NEVER** open more than one drawer at a time.
- Place heaviest items in the lowest drawers.



***This is a permanent label.
Do not remove!***