

ASSEMBLY INSTRUCTIONS SS16447BK-AB

8' x 12' Attached Pergola

Thank you for choosing our product.

Please read the contents on the second page carefully.

- Before starting the installation, please thoroughly check the listed accessories below and read this manual attentively.
- Then proceed with the assembly step by step. If you have any questions, please don't hesitate to contact us.



Attention

1. Thank you for trusting us.

You are entitled to a one-year warranty and lifelong customer service, and we have marked detailed notes on the second page.

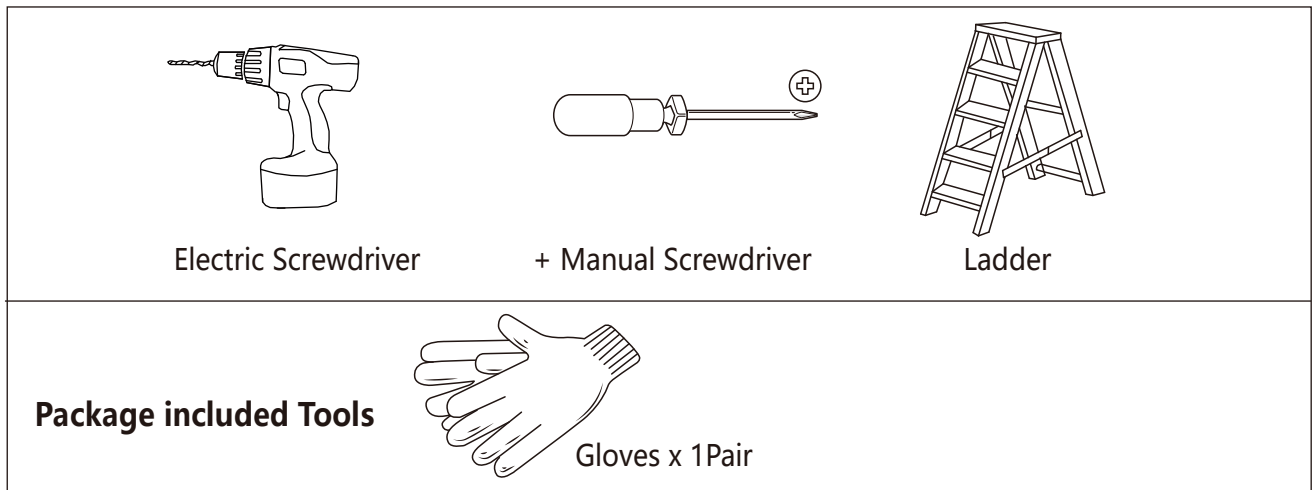
2. Our gazebo ships in just 2 boxes. Please check the manual to ensure you have received all the parts.

*If anything is missing, feel free to contact us through your order page. We will respond to any messages within 24 hours and resolve any issues for you.

3. We encourage you to reach out to us at the earliest if you encounter any issues.

4. We kindly request your attention to installation safety and child safety.

Please prepare below tools before installation. (Not Included)



ATTENTION

Please note, if you find any damage to the package upon arrival, resulting in loss of internal components or visible damage, please contact us. **We will take responsibility for any damages caused during transportation.**

Please ensure that you begin installation only after receiving **both** packages. If not received, please contact us to inquire about the corresponding package status, and **we will respond within 24 hours.**

Handle each part of the gazebo with care, as many components have sharp edges.

DO NOT attempt to assemble the gazebo before verifying that all parts are present as listed. Partially assembled structures can be severely damaged by light winds.

DO NOT attempt to assemble the gazebo on windy days, as this can make construction difficult and unsafe. Monitor the weather closely.

During construction and until the gazebo is fully assembled, **keep children and pets away from the worksite to avoid distractions and potential accidents.**

Avoid placing weight concentrated on the roof of the gazebo.

ASSEMBLY

The best location is a flat area.

Ensure there is adequate space around the gazebo to access the roof with a ladder.

TEAMWORK : Two or more people are required to assemble the structure.

CARE & MAINTENANCE

Combustibles and corrosive materials must be stored in sealed containers designed for chemical and/or combustible storage

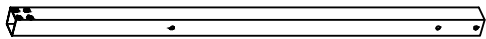
Rust Protection Precautions

Avoid scratching or scraping the coating surface inside and out.

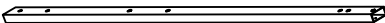
PLEASE KEEP THIS INSTRUCTION MANUAL FOR FUTURE REFERENCE.

Parts List-A

A x2



E3x3



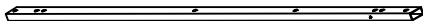
D1x4



K2x8



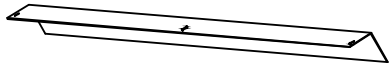
E2x5



K3x8



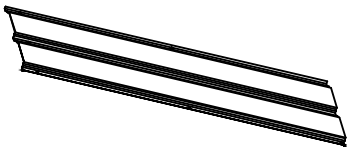
F1x4



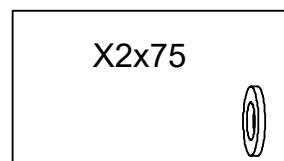
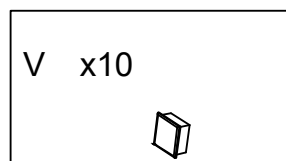
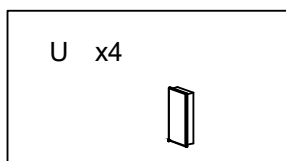
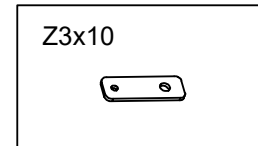
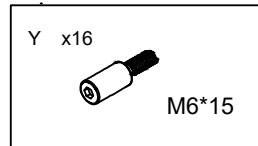
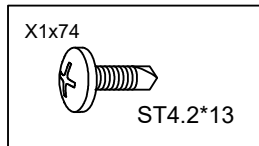
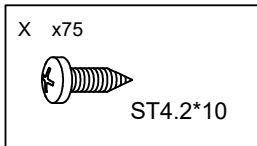
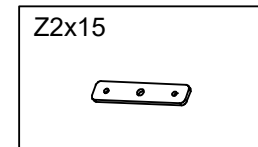
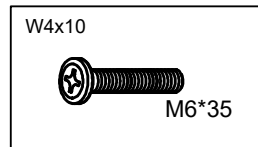
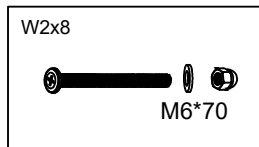
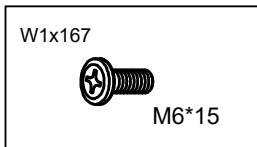
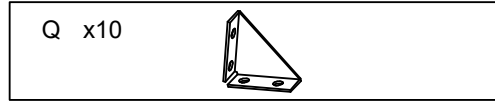
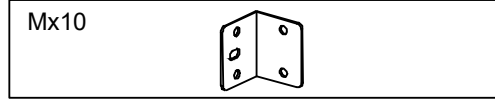
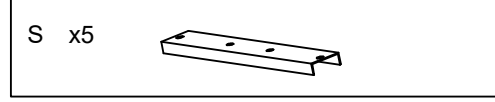
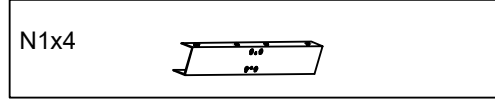
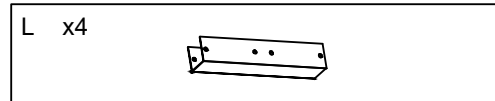
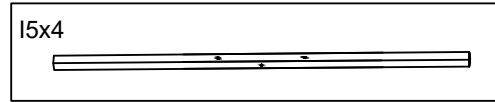
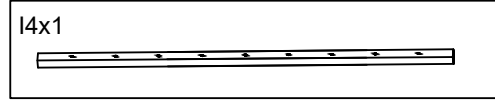
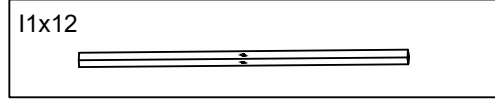
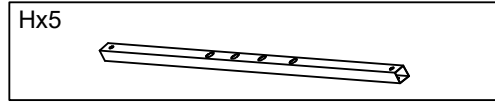
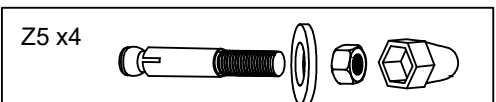
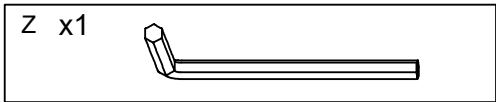
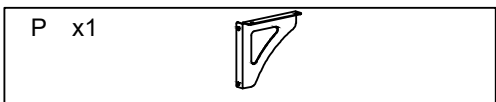
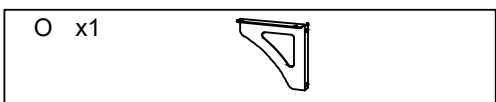
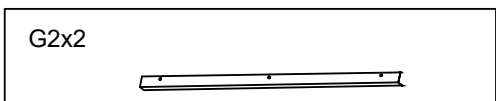
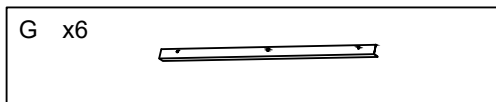
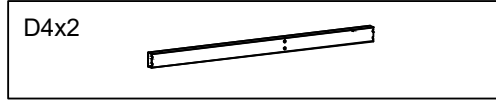
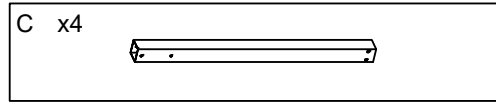
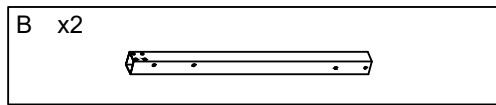
K8x1



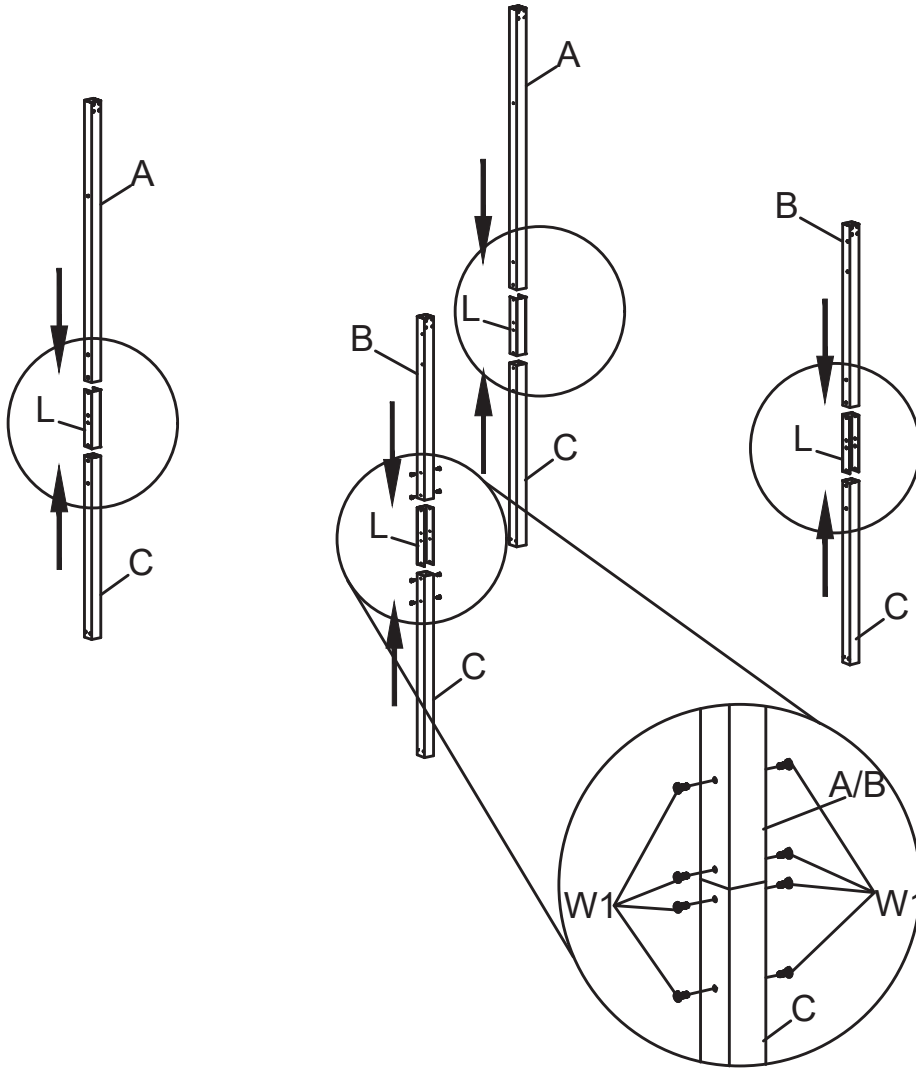
K9x1

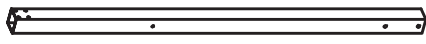


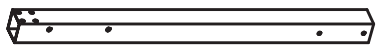
Parts List-B

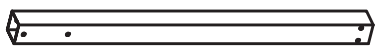


STEP1



 A x2

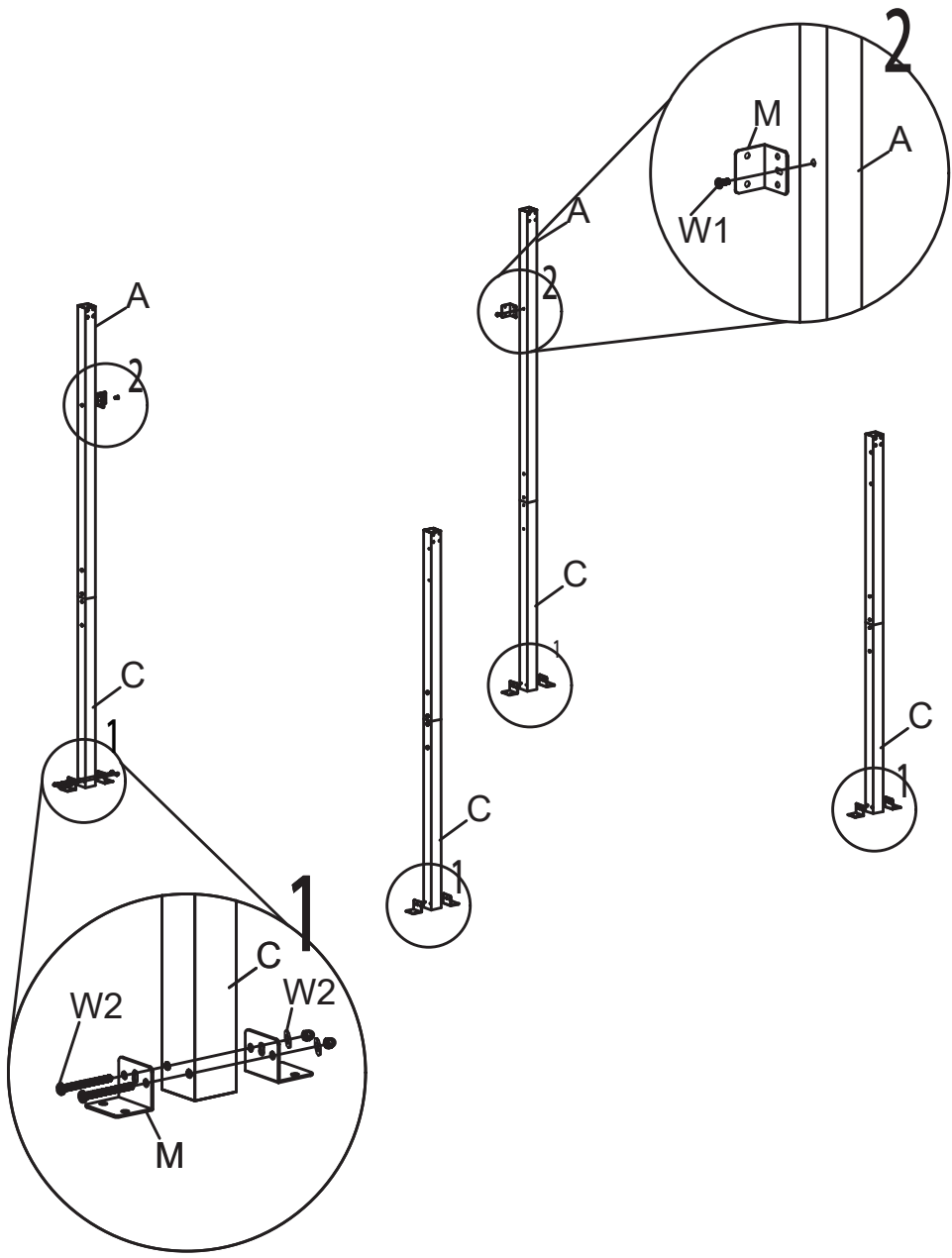
 B x2


 C x4

 L x4

 W1 x32

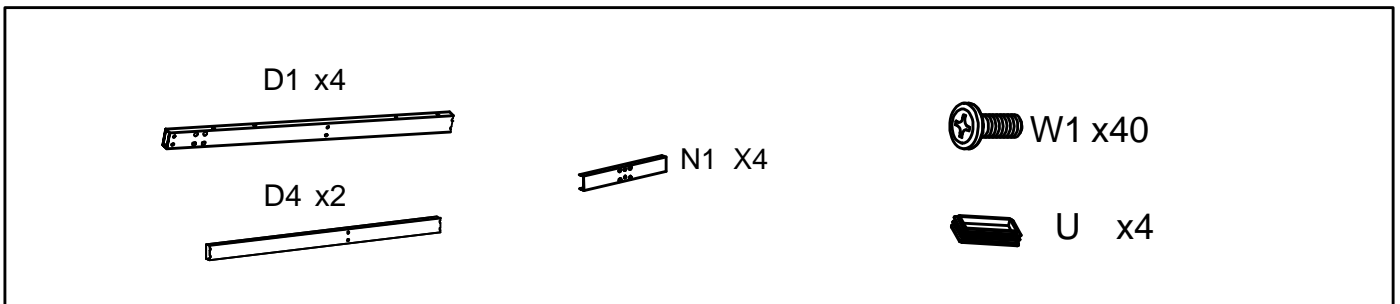
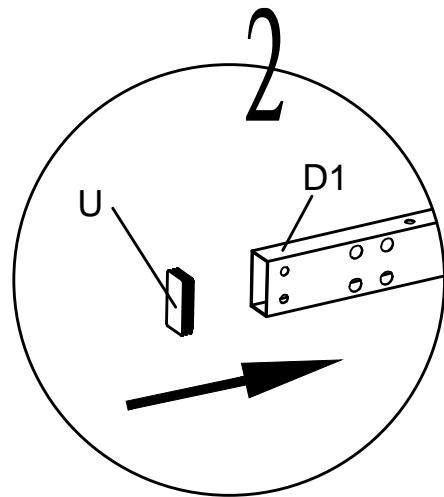
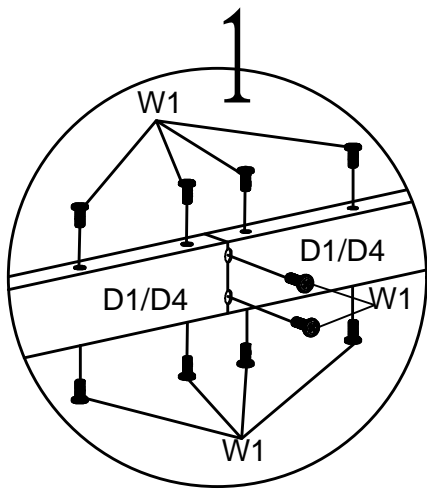
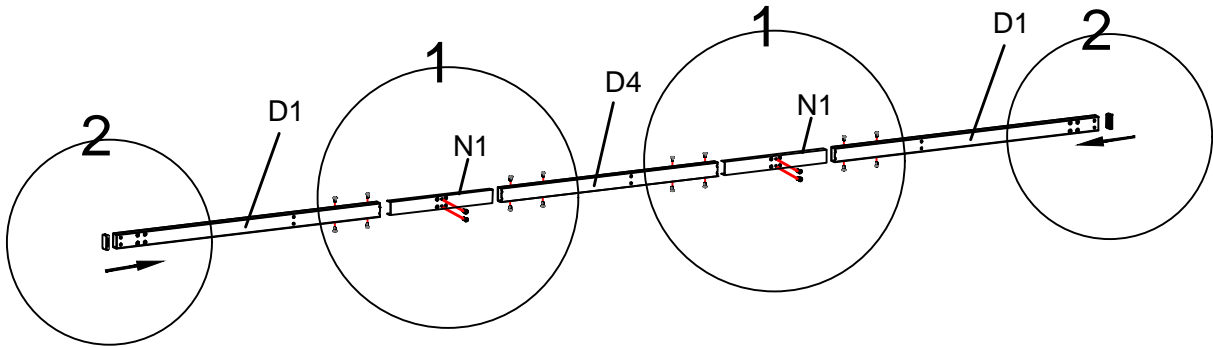
STEP2



 M x10	 W1 x2		 W2x8
---	---	--	--

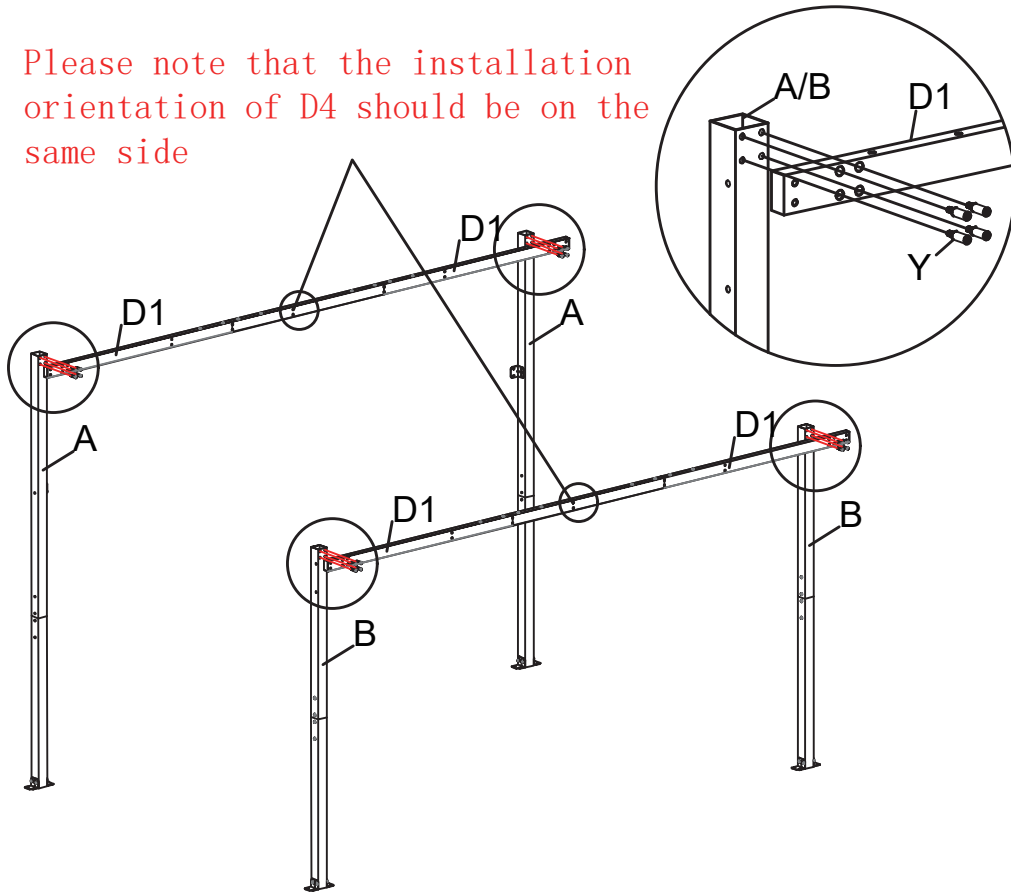
STEP 3

X2

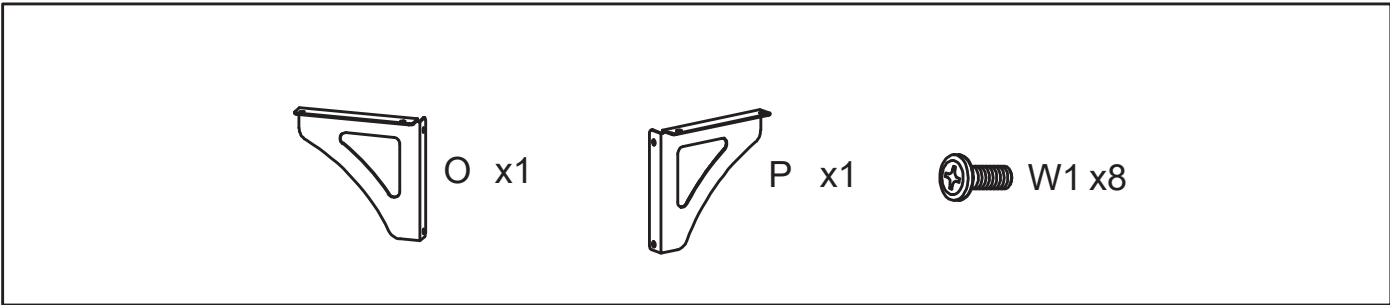
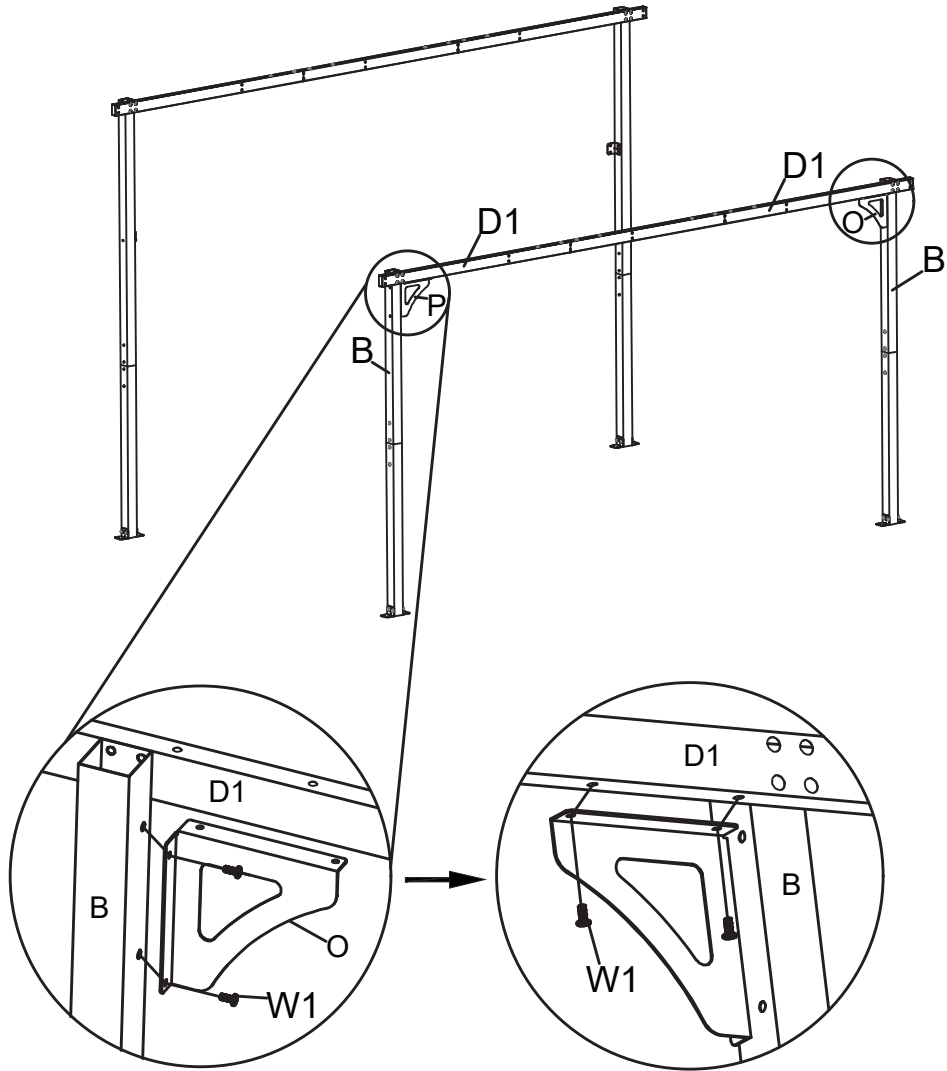


STEP4

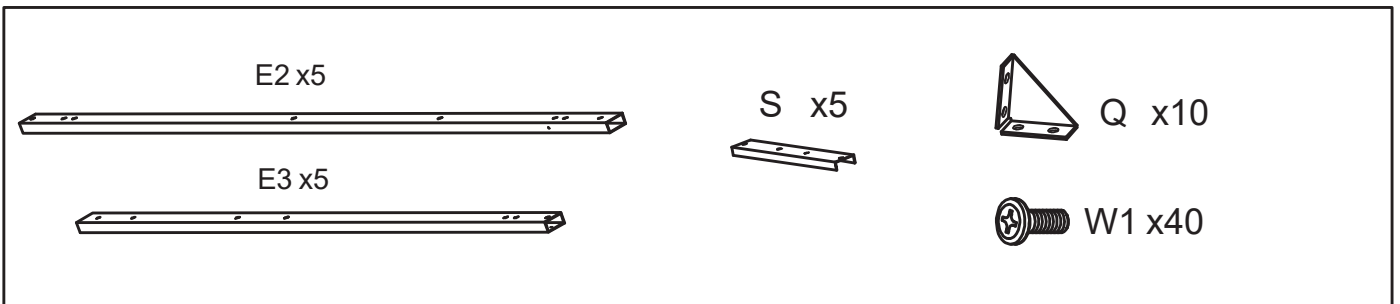
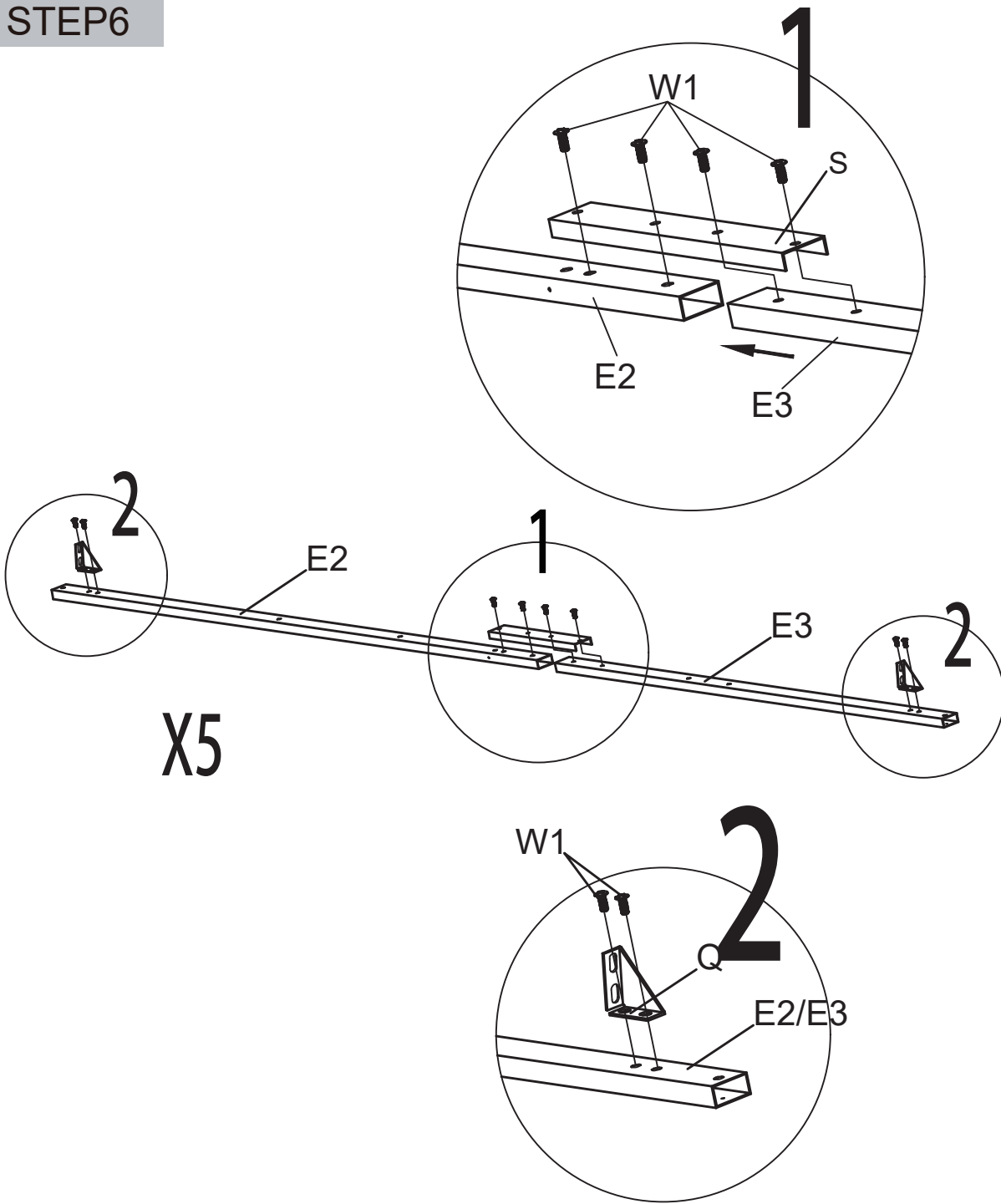
Please note that the installation orientation of D4 should be on the same side



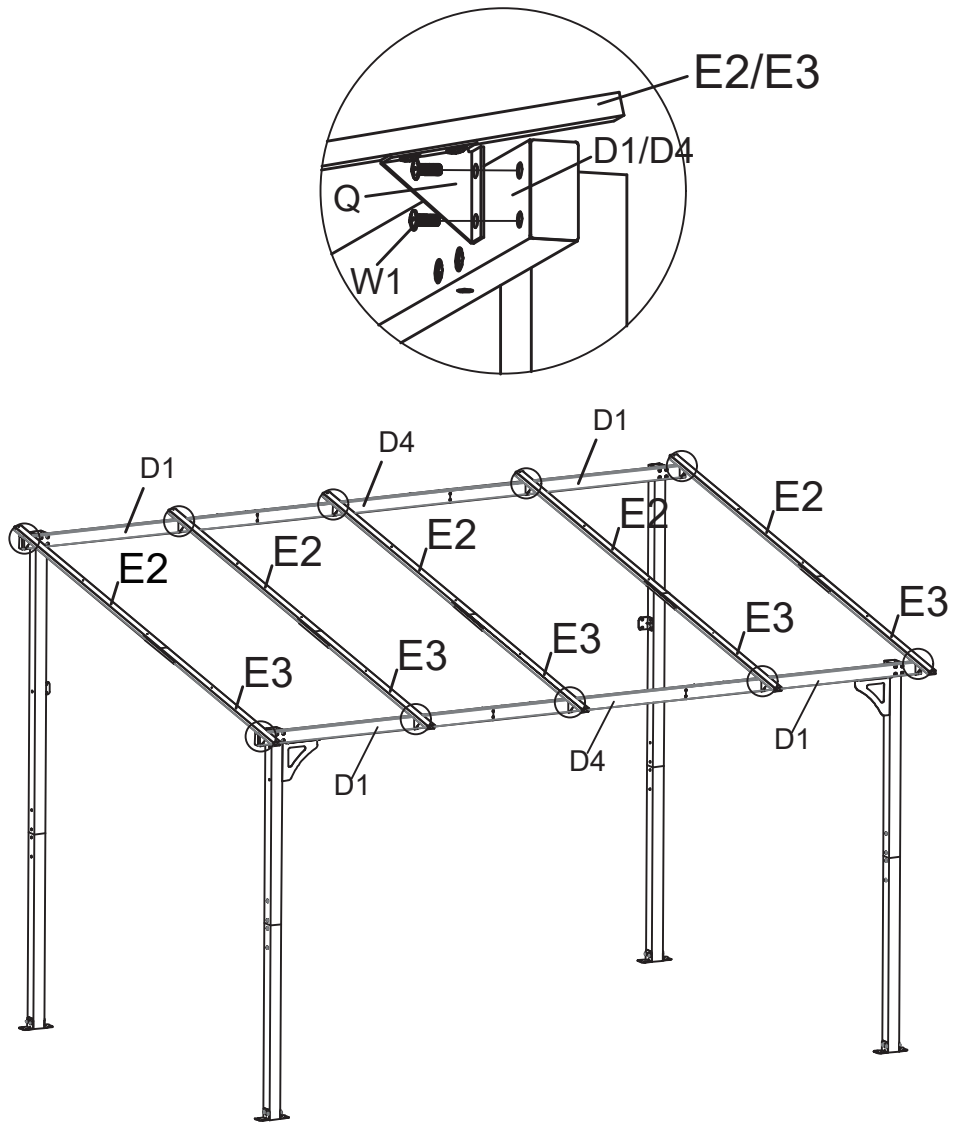
STEP5



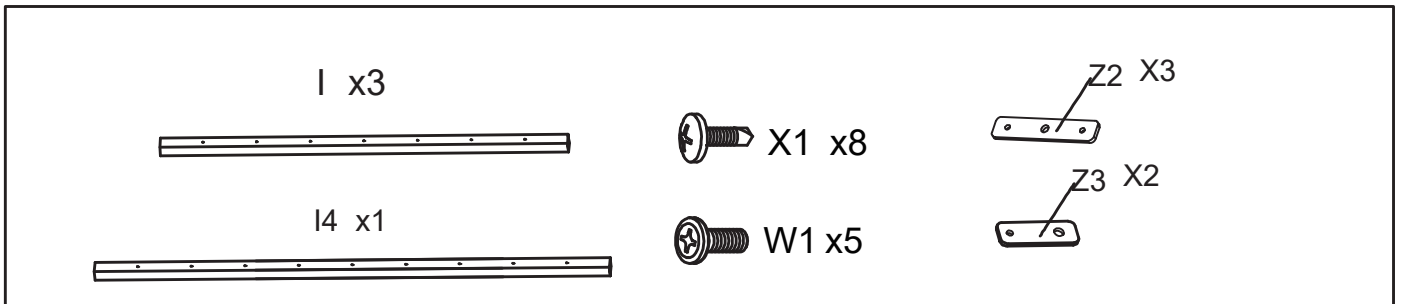
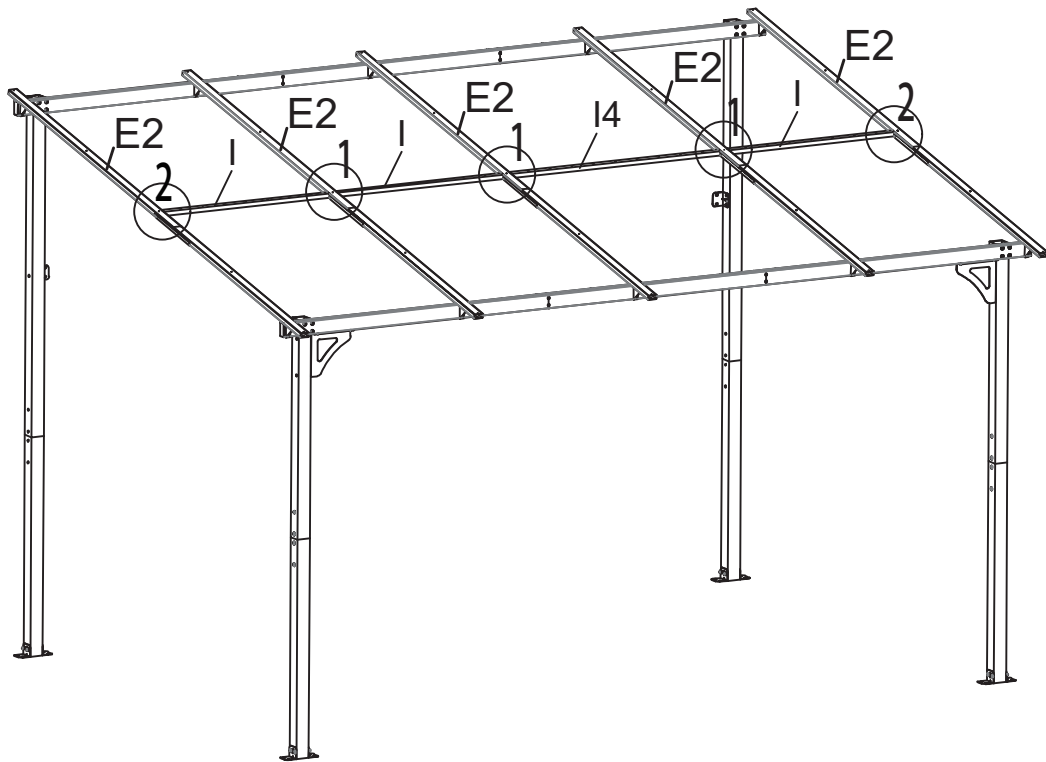
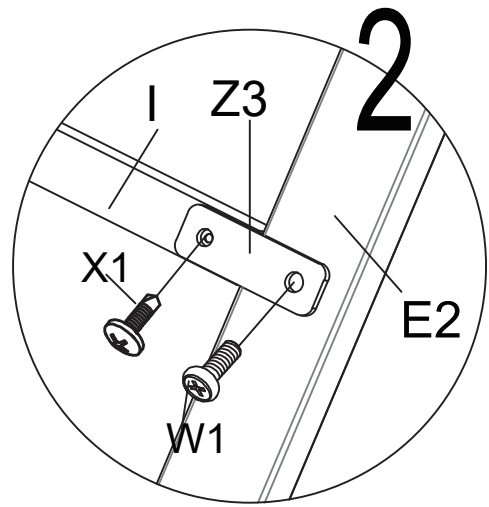
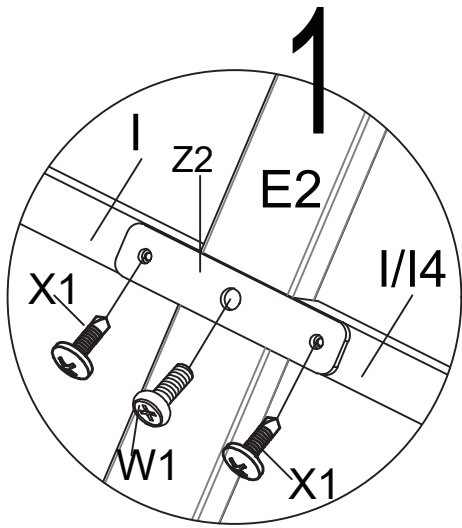
STEP 6



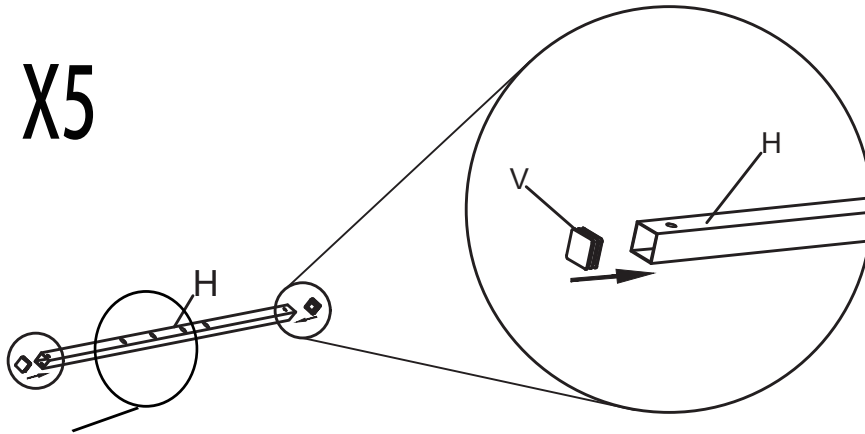
STEP 7



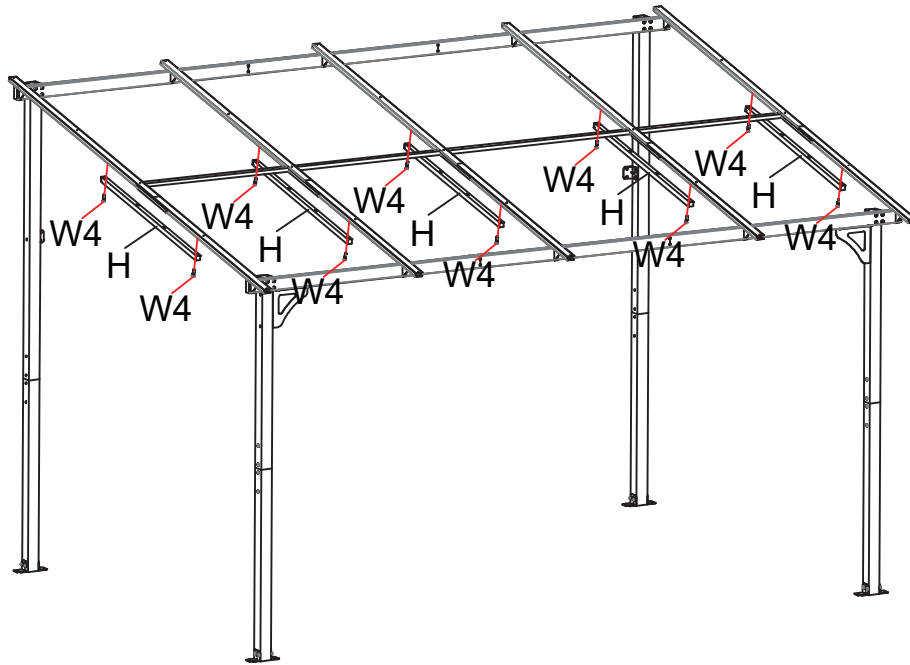
STEP 8



X5



These 3 holes do not need to align with the holes on E2/E3.



H x5

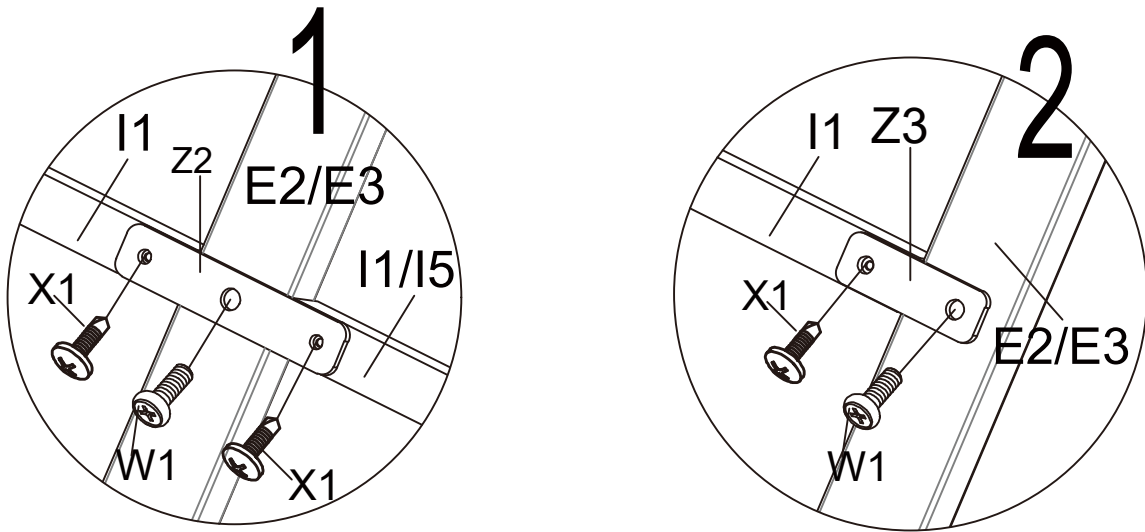


V x10

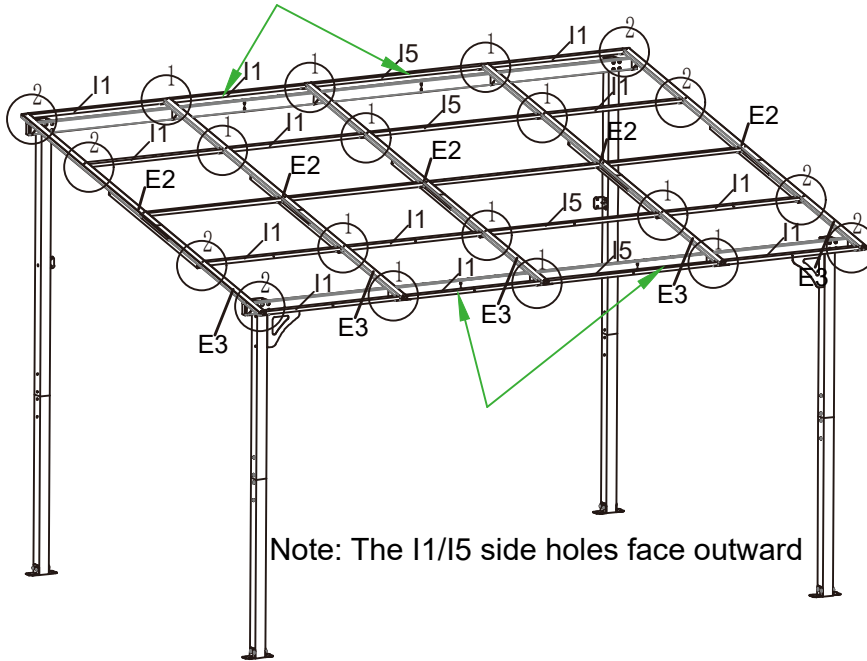


W4 x10

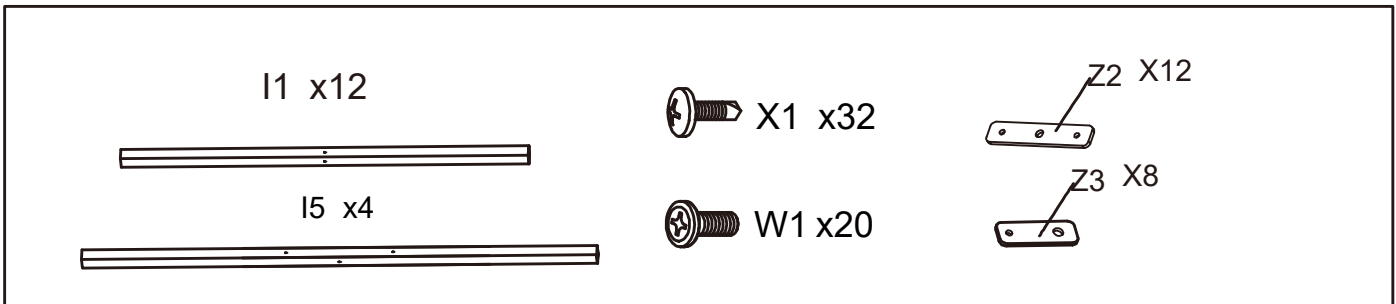
STEP10



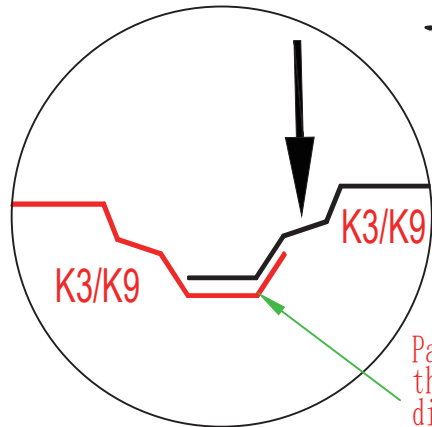
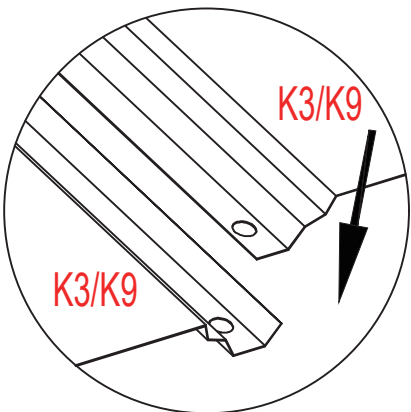
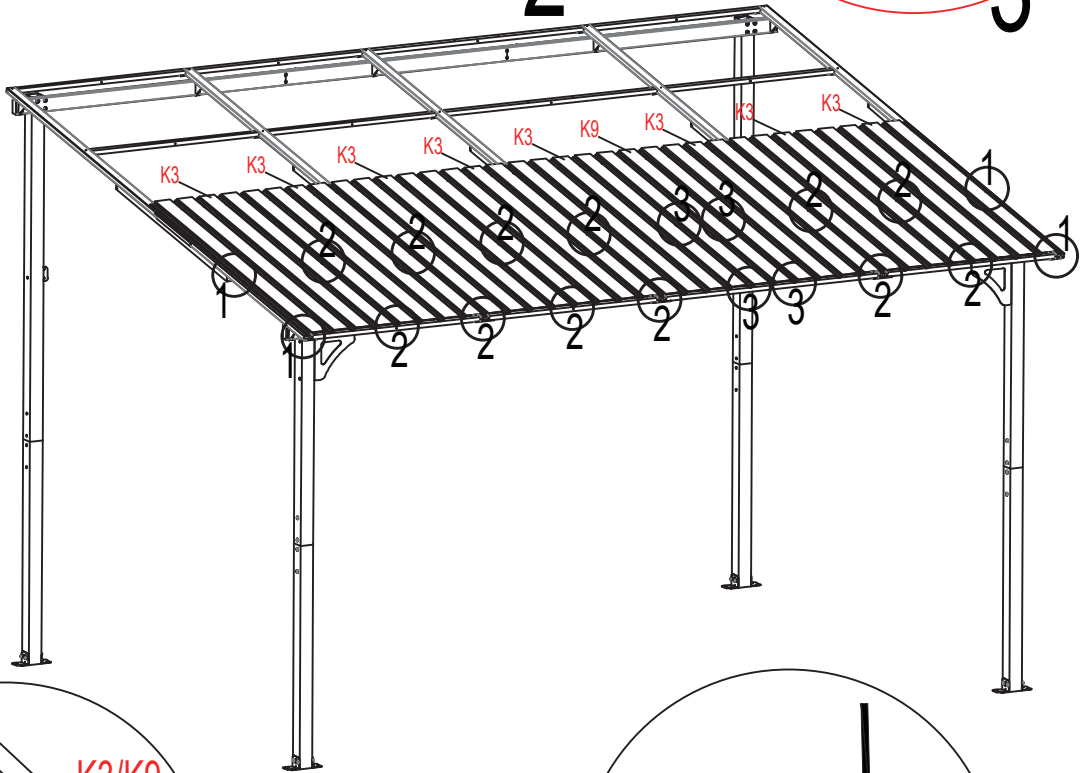
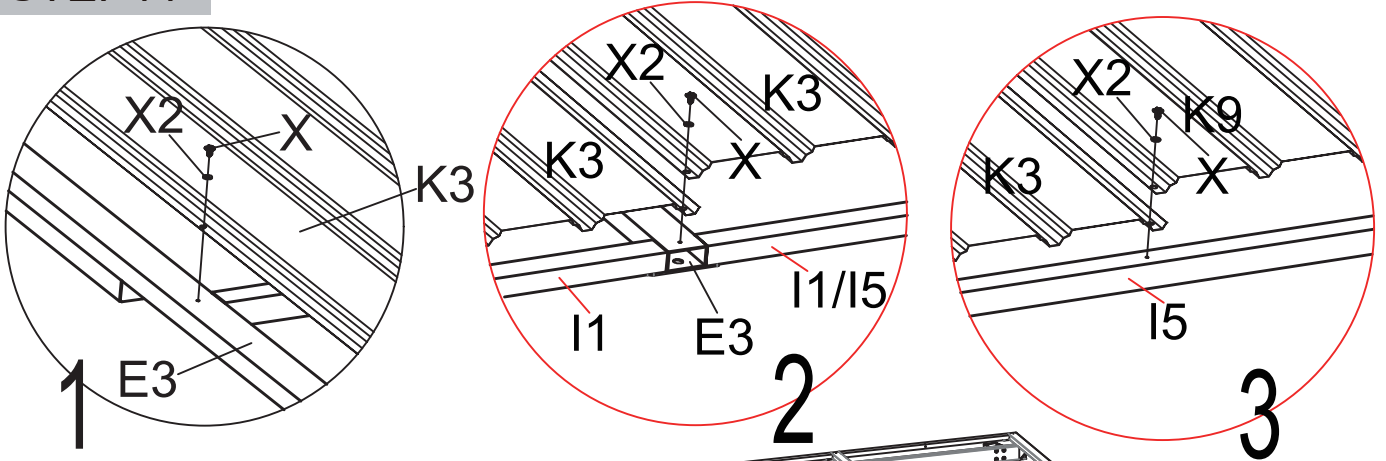
Note: The I1/I5 side holes face outward



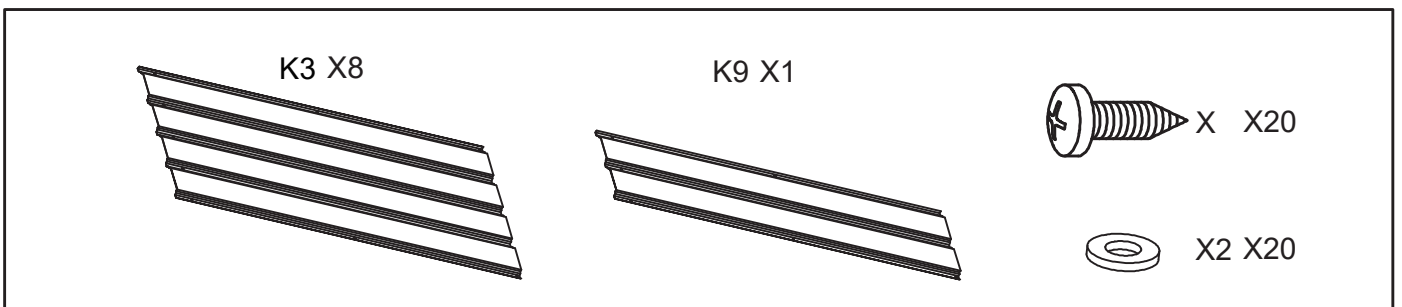
Note: The I1/I5 side holes face outward



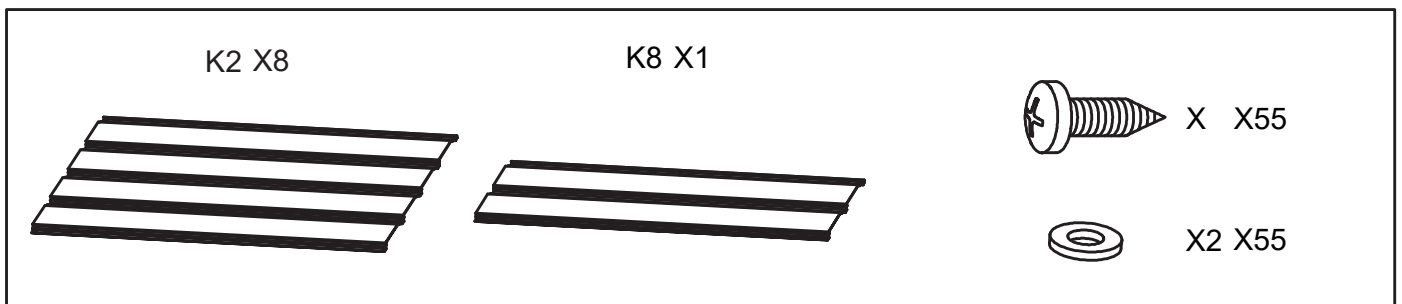
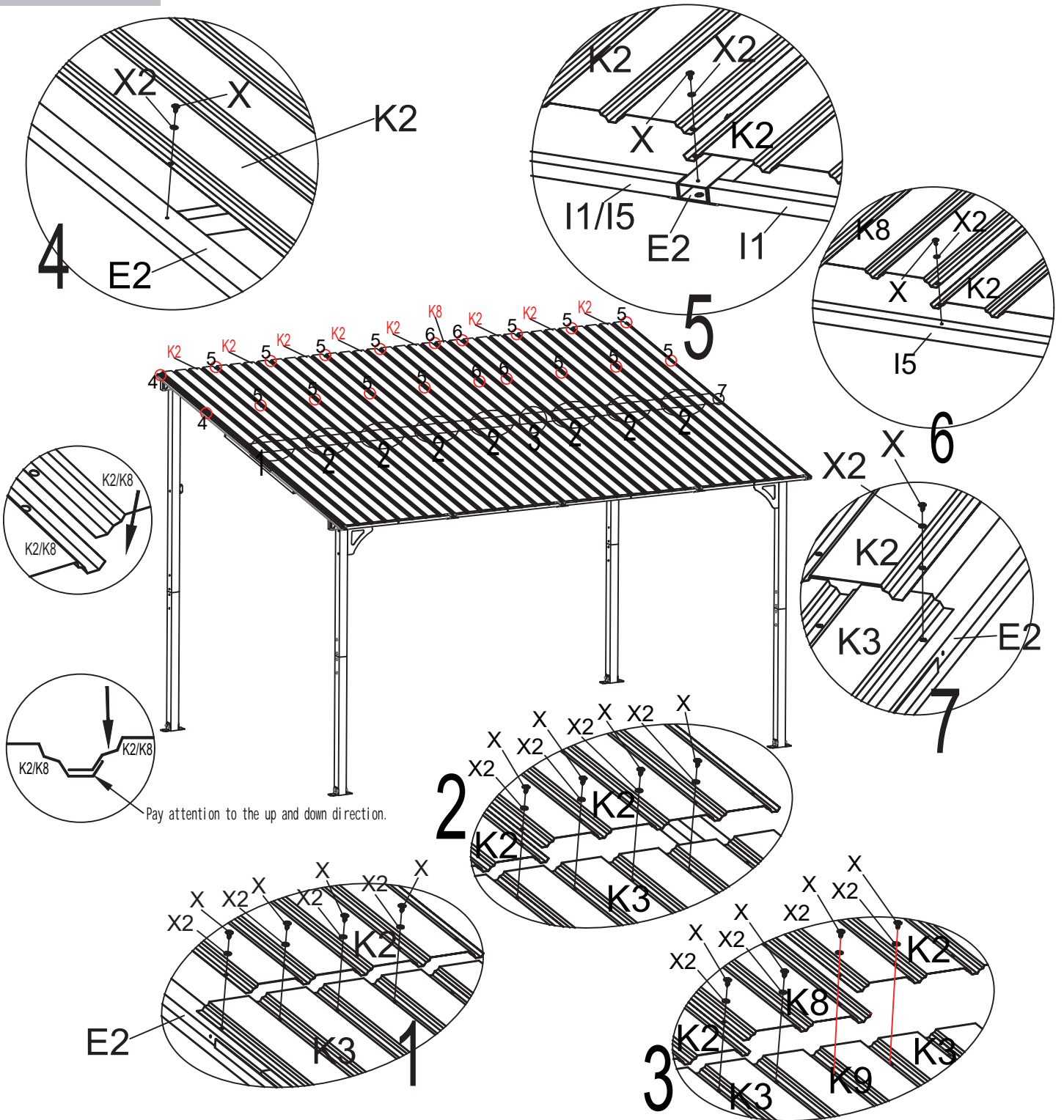
STEP 11



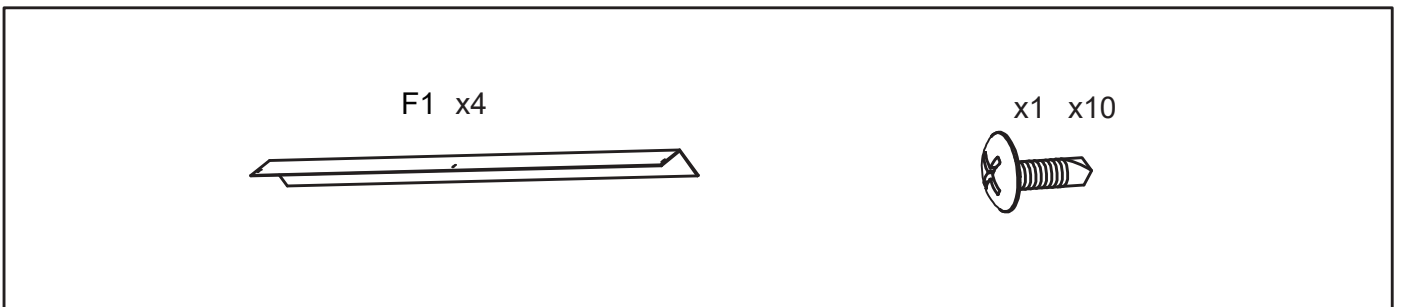
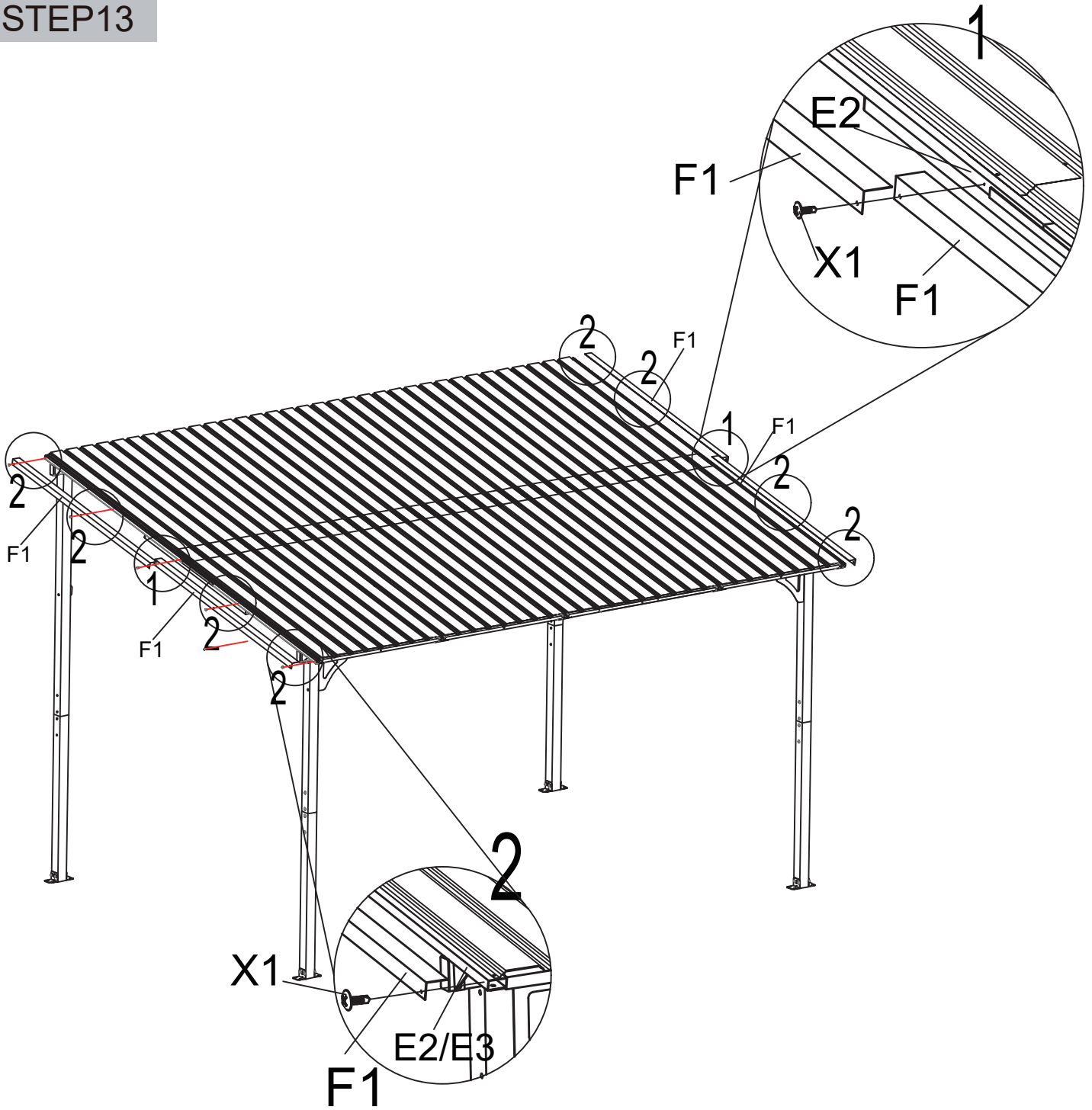
Pay attention to the up and down direction



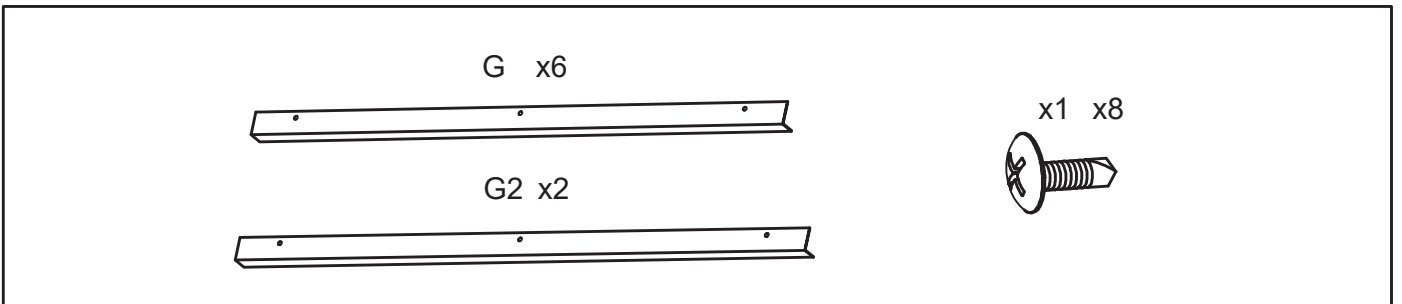
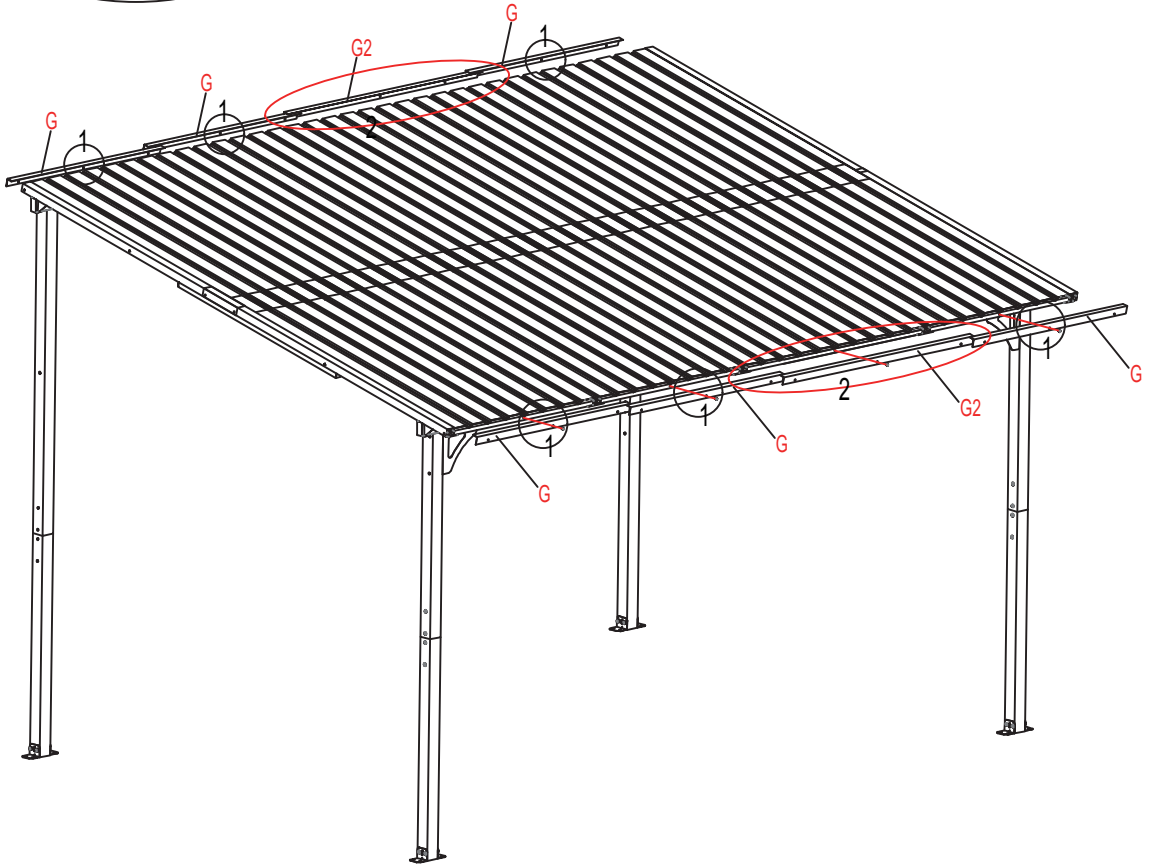
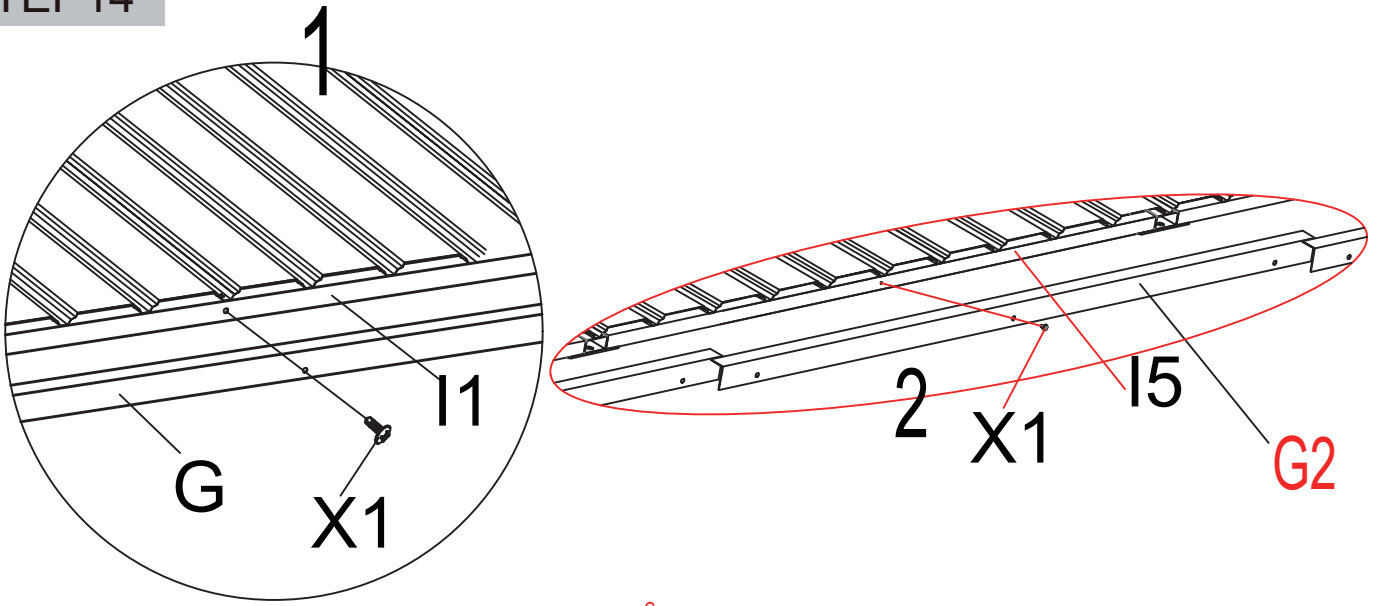
STEP12



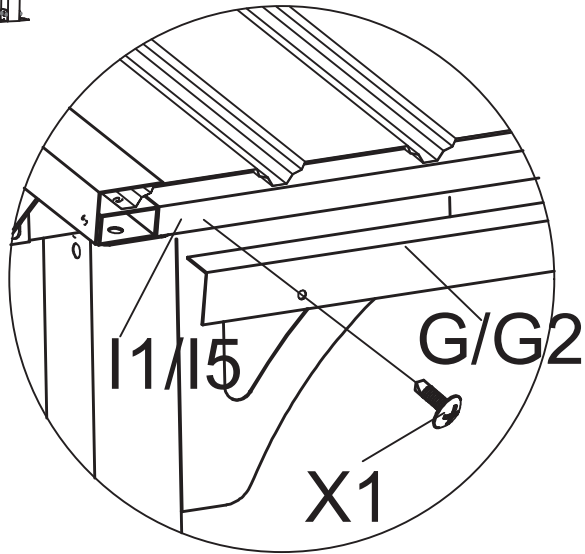
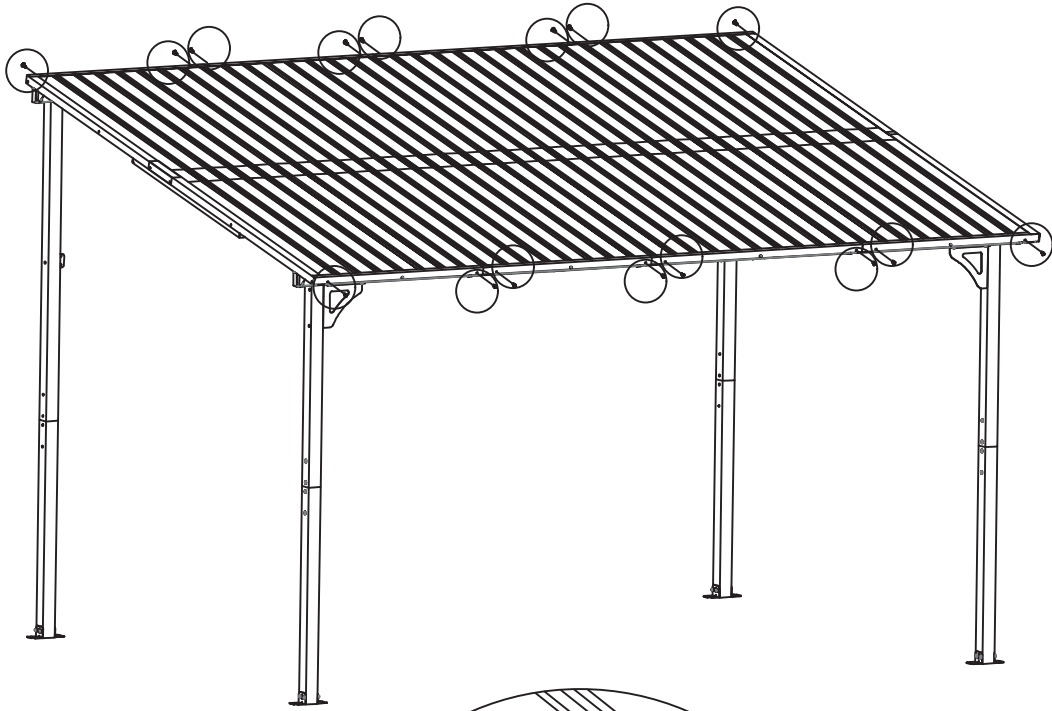
STEP13



STEP14



STEP15



x1 x16



STEP 16

