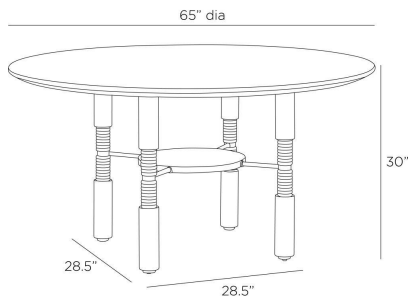


ARTERIOS

HEGER DINING TABLE



FDS16
H: 30 IN, Dia: 65.00 IN
Tortoise

A tortoise oak veneer dining table highlights the best woodworking elements—from a radial sunburst top to the telescope dowel legs. Secured with a bronze finished brass stretcher and center plate like a metal bolt, the overscaled proportions make it an eye-catching addition to any dining room. Wood will vary.

APPEARANCE

Material	Oak Veneer, Brass
Finish	Tortoise, Bronze
Finish Will Vary	Yes
Top Coat/Sealant	Yes

DIMENSIONS

Foot Print	W: 28.5 IN, D: 28.5 IN
Leg	H: 28.5 IN, Dia: 3.50 IN
Seat Clearance	D: 19 IN
Diagonal Dimension	72 IN
Clearance	14 IN, 28.5

SHIPPING

Shipping Requirements	TruckShip
Product Weight	170.6 lbs
Gross Weight 1	79 lbs
Gross Weight 2	90 lbs
Shipping Box 1	H: 31.1 IN, L: 32 IN, W: 32 IN
Shipping Box 2	H: 6.5 IN, L: 69 IN, W: 69 IN

ADDITIONAL INFO

Features	Assembly Required These unique designs make beautiful dining tables, but please note that placing hot or wet items on the surface can mar the finish.
Disclaimers	
Swatch Number	TWSW
Leg Or Foot Application	Adjustable Levelers

CONTRACT

Contract Suitable	Yes
-------------------	-----