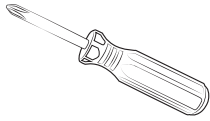


USER MANUAL

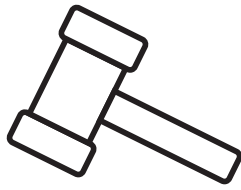
▼
CABINET

Model: JY-250329

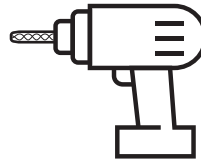
TOOLS REQUIRED



Phillips screwdriver
(Not included)



Hammer
(Not included)



Drill
(Not included)



Protective blanket
(Not included)



ATTENTION

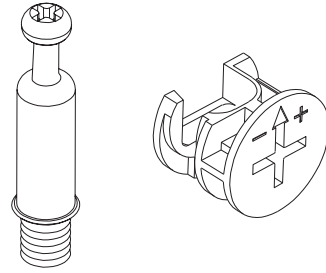
Keep children and pets away while assembling.



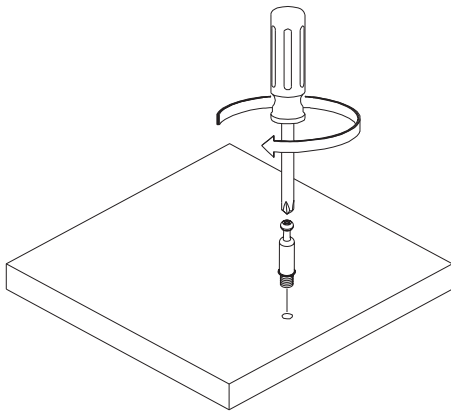
How to use cam locks

CAM LOCK FASTENING SYSTEM

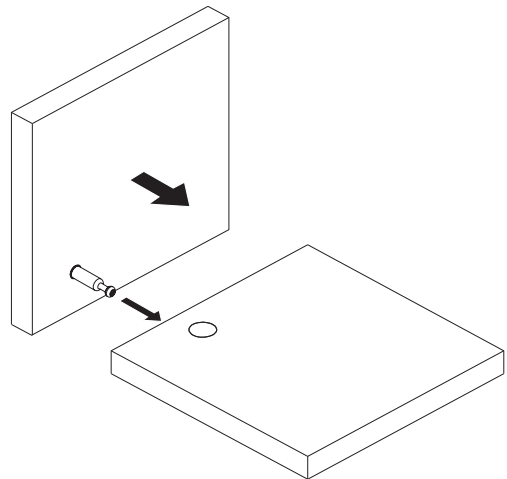
This Cam Lock Fastening System will be used throughout the assembly process.



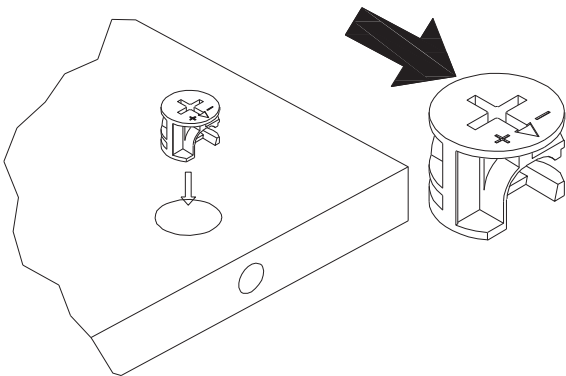
1



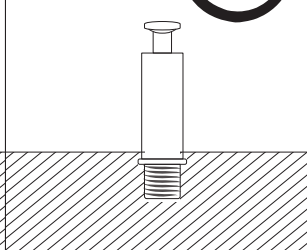
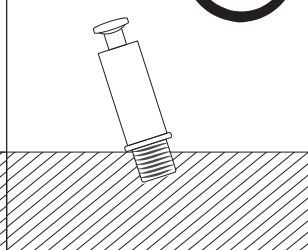
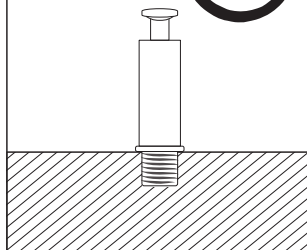
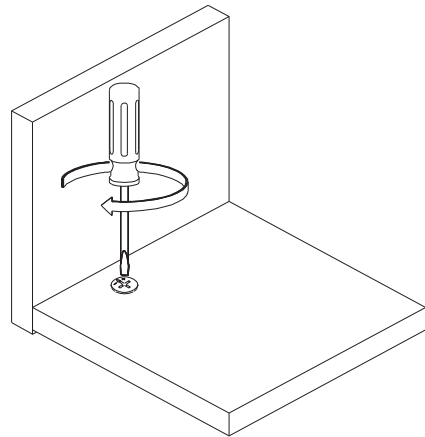
2



3



4



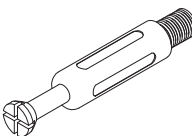
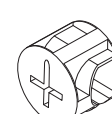
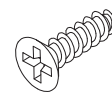
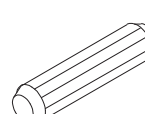
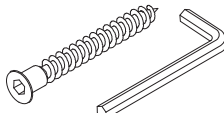
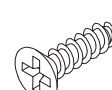


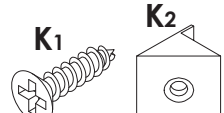



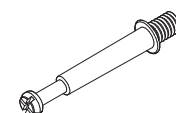
INTRODUCTION

Thank you very much for choosing our product. Please read the instruction carefully before assembly and keep it for future reference. If you need further assistance on assembly, please contact our customer service through email.

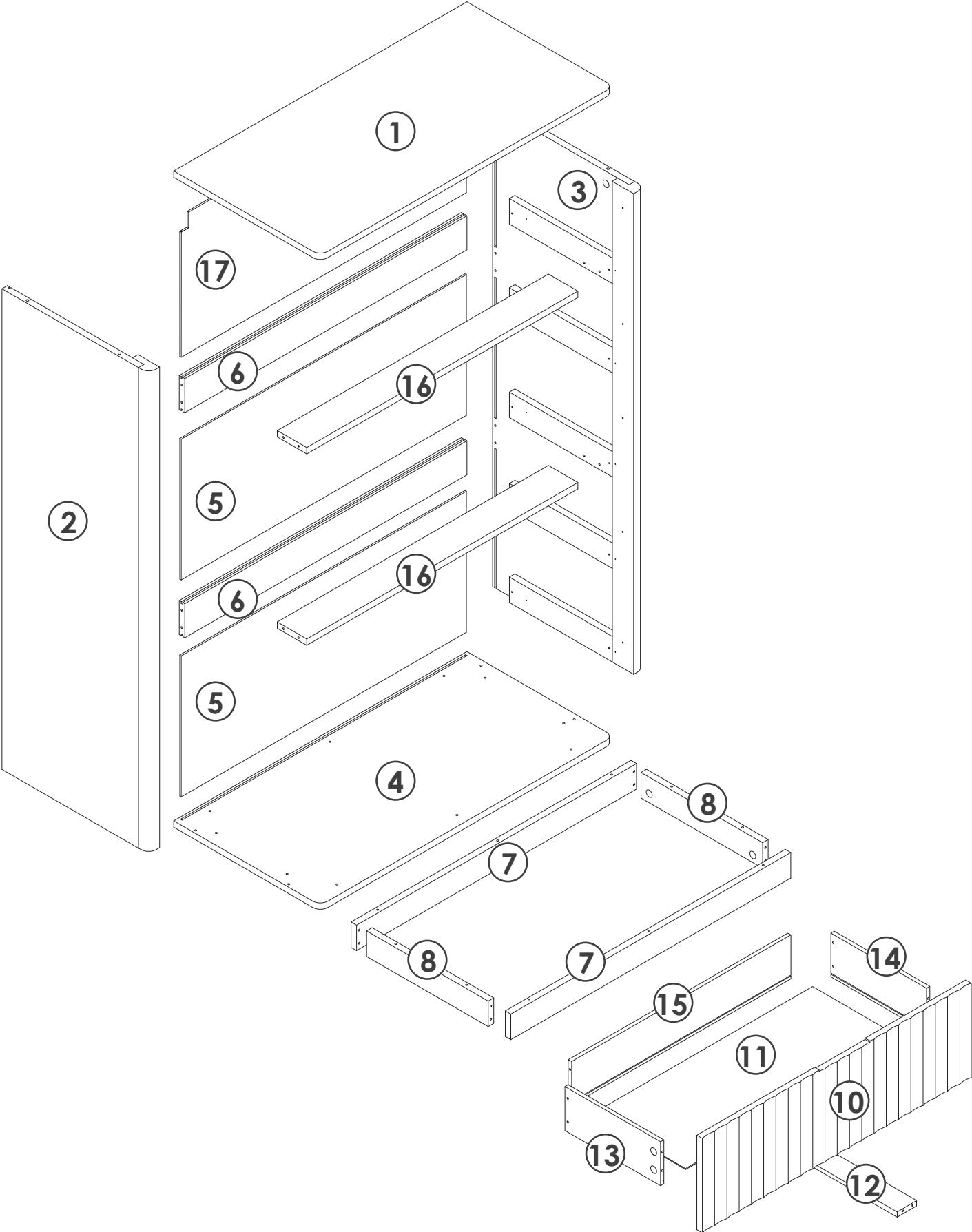
Tips:

1. When installing the product, use a soft underlay (such as carpet or cardboard) to avoid scratching or damaging the surface of the product.
2. Don't tighten screws completely at first, just in case parts were assembled wrong and need disassemble. Tighten screws at last when all parts are put together.
3. The structure of this product can not meet the requirements of the placement of heavy items and children climbing.

HARDWARES LIST

<p>A x24</p>  <p>M6*40mm</p>	<p>B x54</p>  <p>M15*11mm</p>	<p>C x30</p>  <p>M3.5*14mm</p>	<p>D x12</p>  <p>M8*40mm</p>
<p>E x44</p>  <p>M5*40mm</p>	<p>F x30</p>  <p>M3*12mm</p>	<p>H x5</p> 	<p>J x30</p> 
<p>K x18</p>  <p>M3*16mm</p>	<p>L x4</p> 	<p>M = CR + DR + CL + DL x5</p>  <p>12 INCHES</p>	
<p>N x2</p>  <p>N1 N2 N3 N4</p> <p>P x30</p>  <p>M6*40mm</p>			

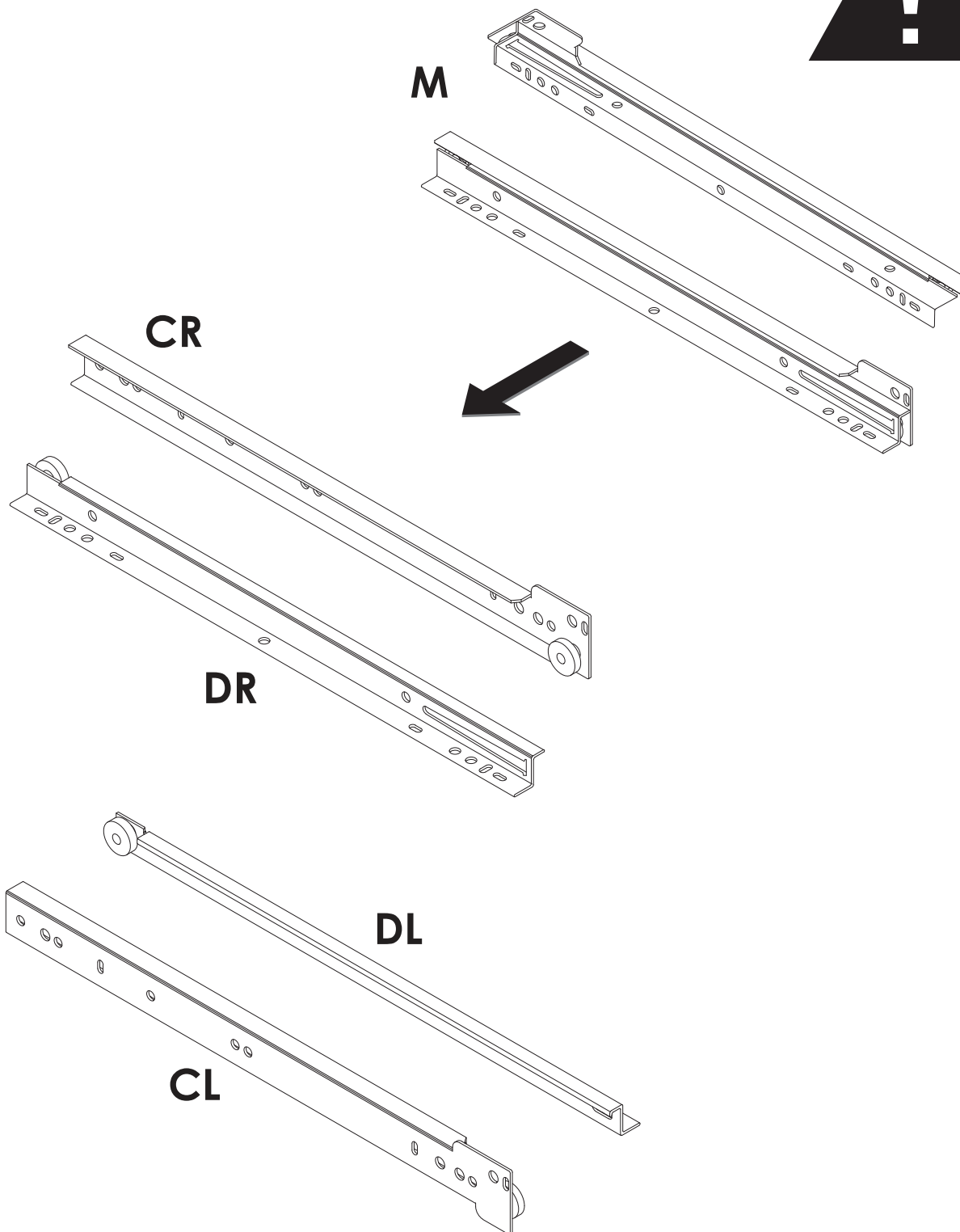
PRODUCT ASSEMBLY



x5

INSTALLATION INSTRUCTION

$$M = CR + DR + CL + DL$$



01

C x15pcs



M3.5*14mm

M x5pcs



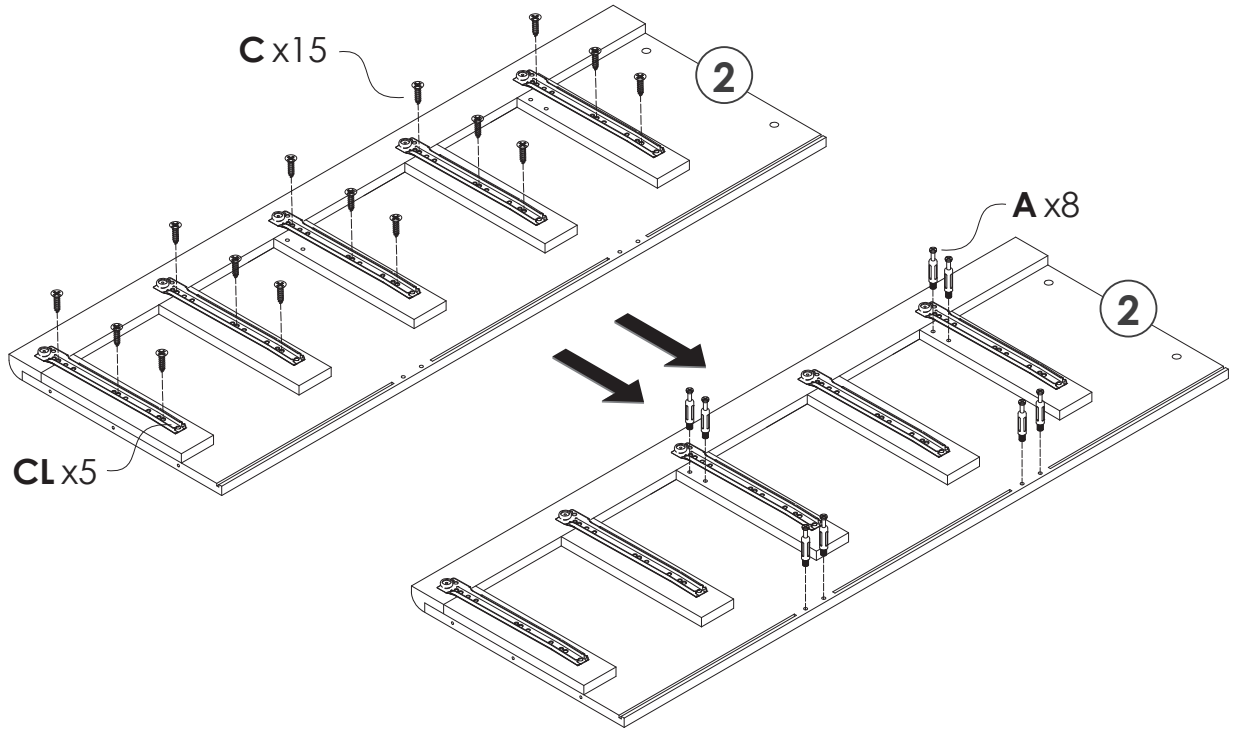
CL

12 inches

A x8pcs



M6*40mm



02

C x15pcs



M3.5*14mm

M x5pcs



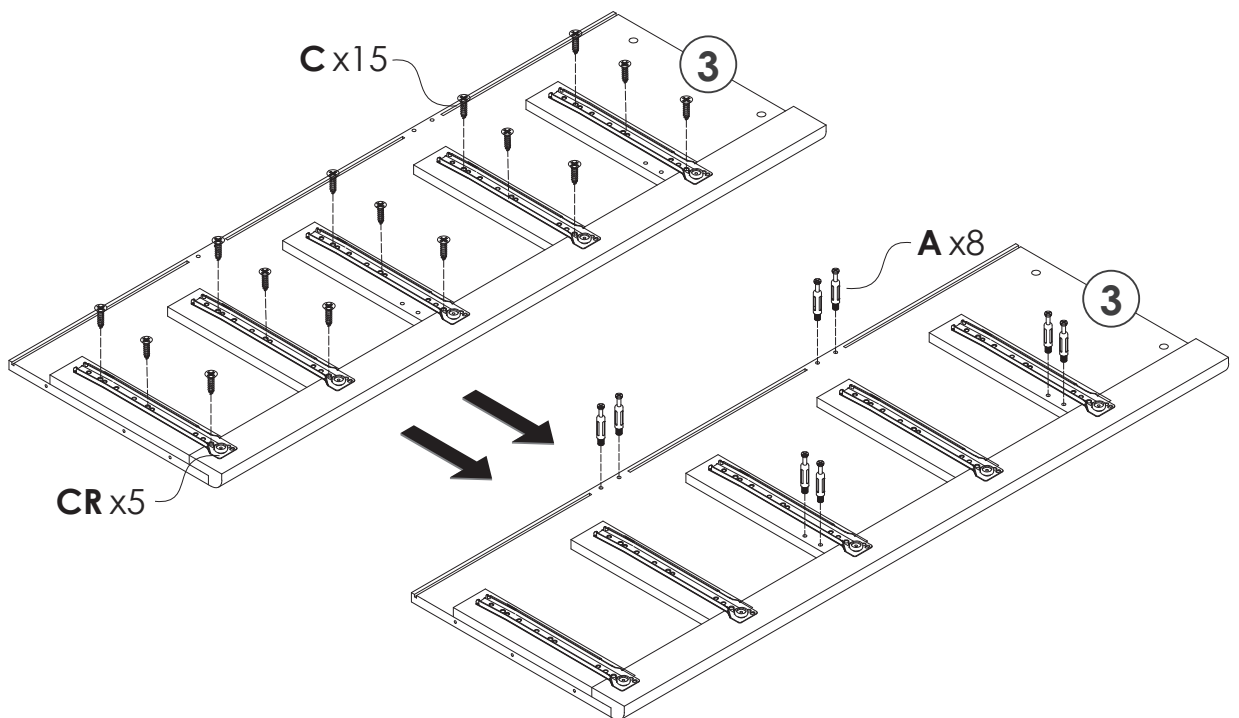
CR

12 inches

A x8pcs



M6*40mm

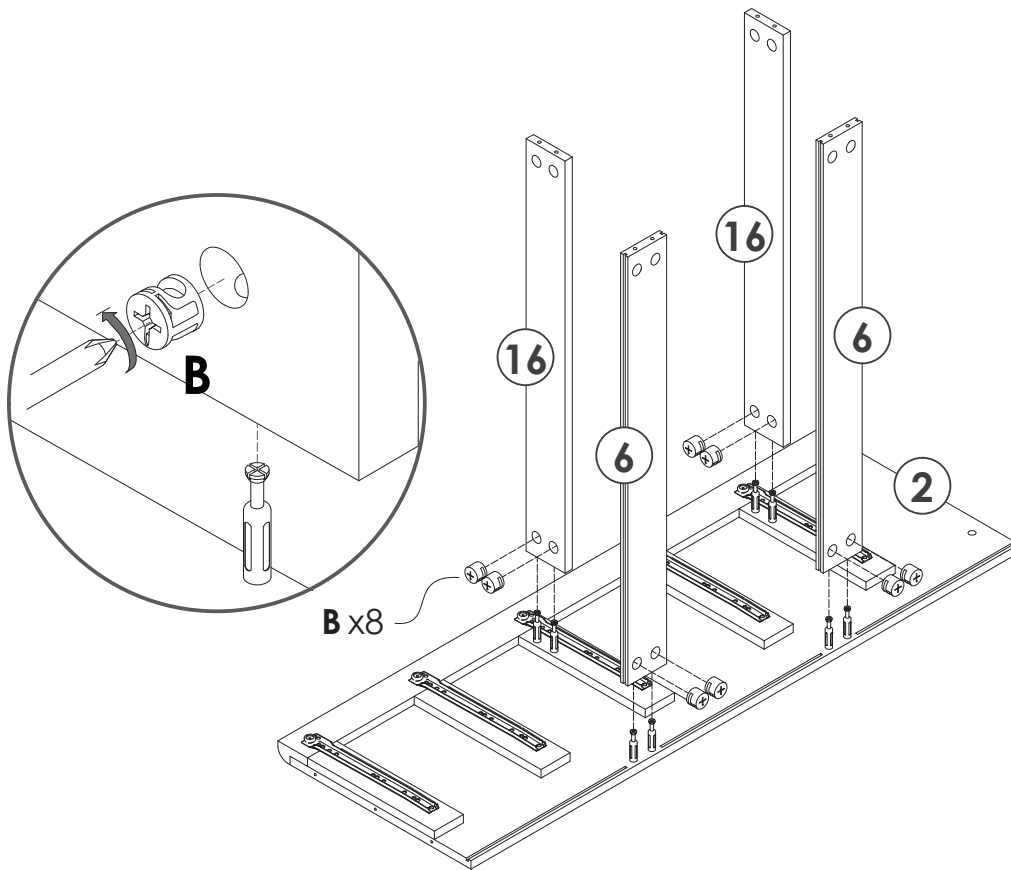


03

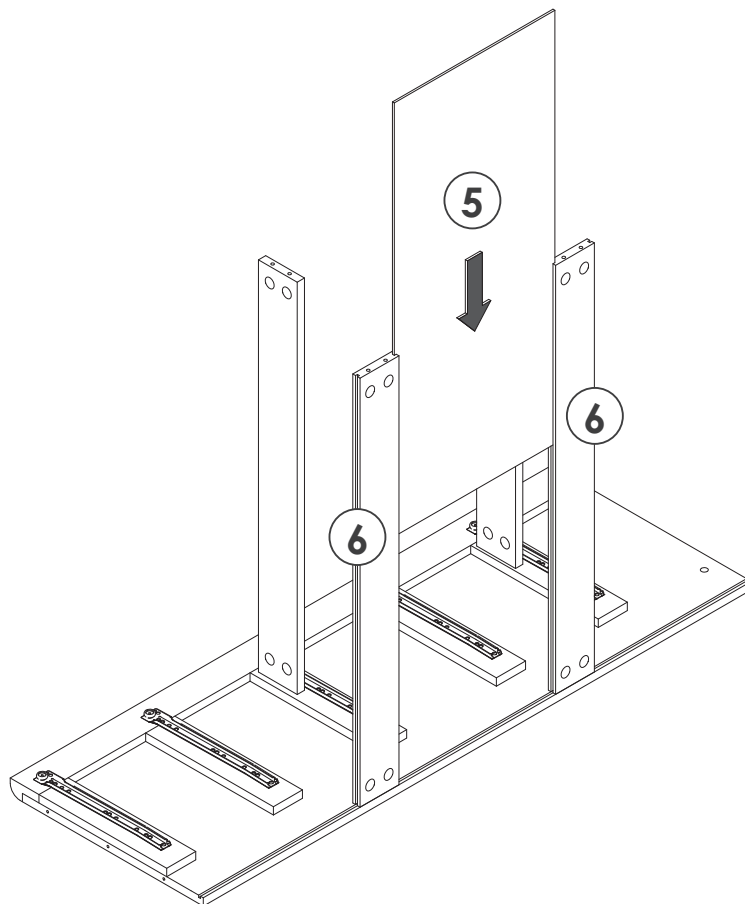
B x8pcs



M15*11mm



04

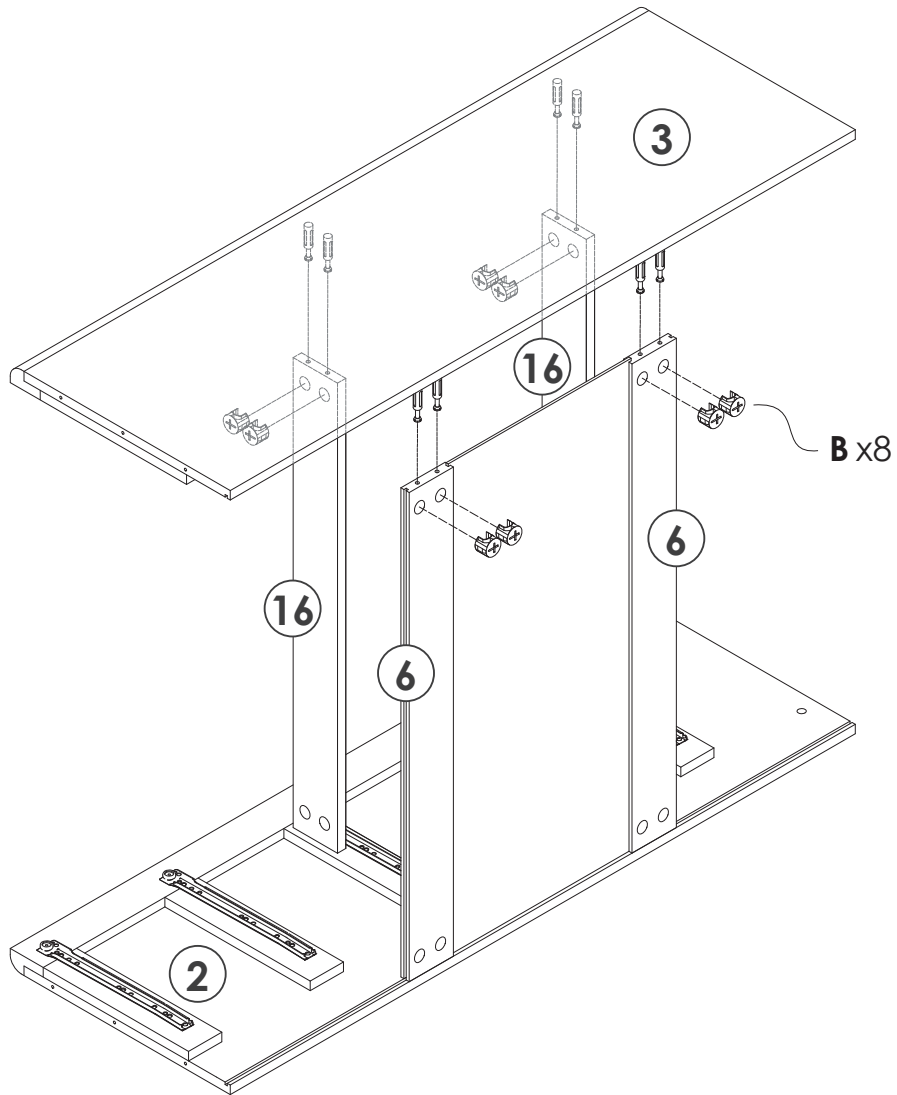


05

B x8pcs



M15*11mm

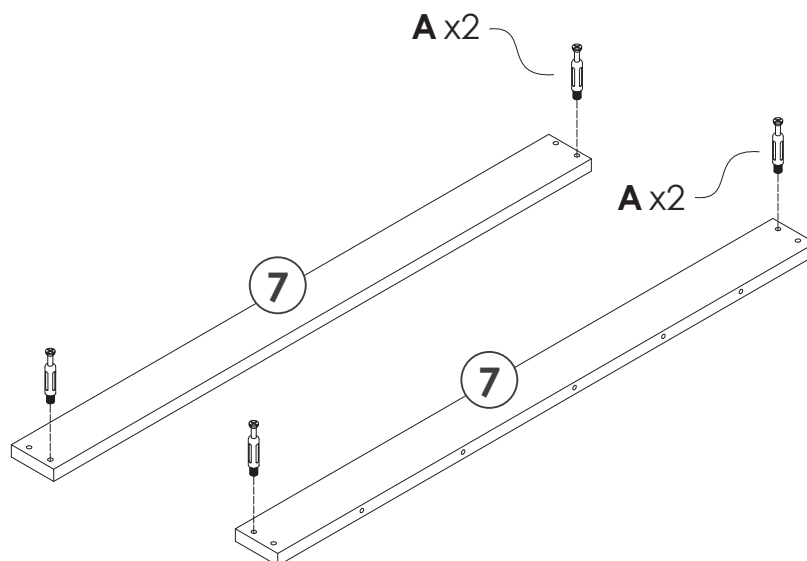


06

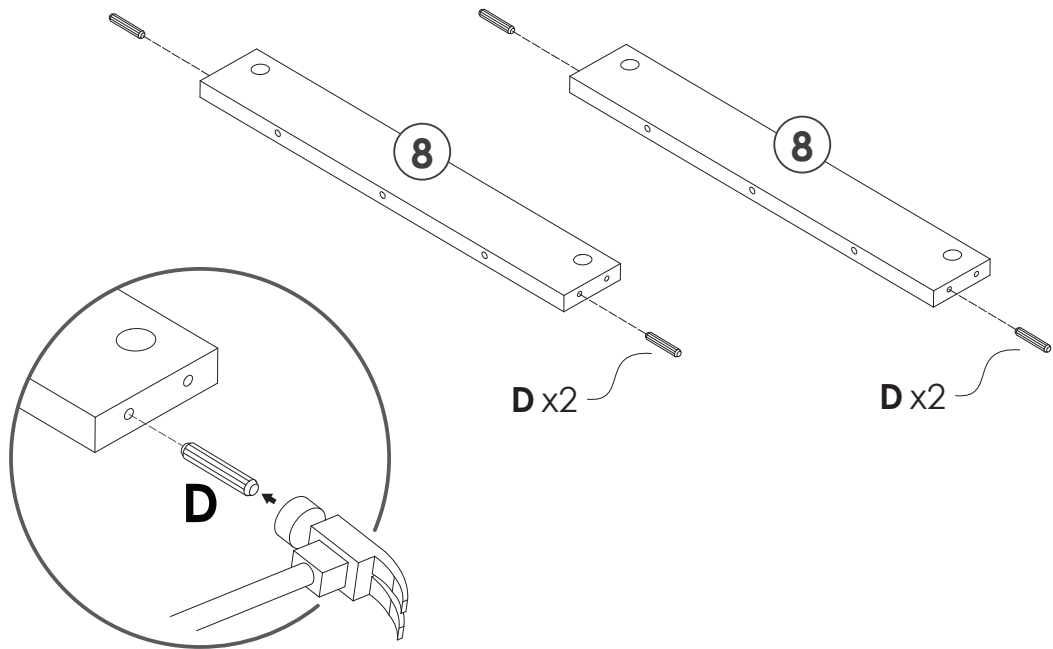
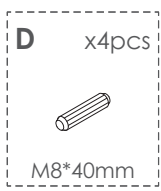
A x4pcs



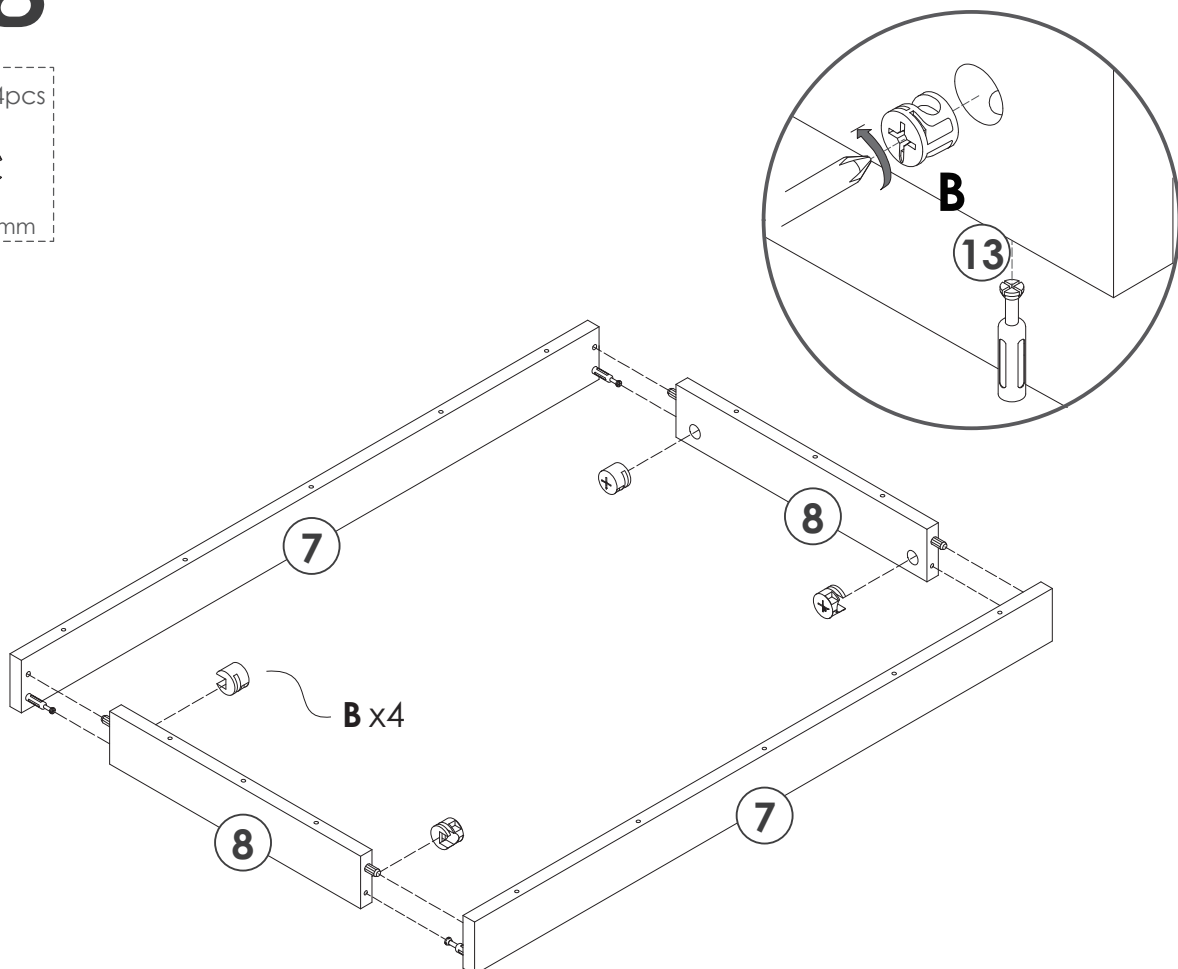
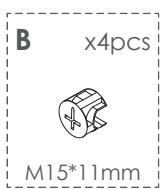
M6*40mm



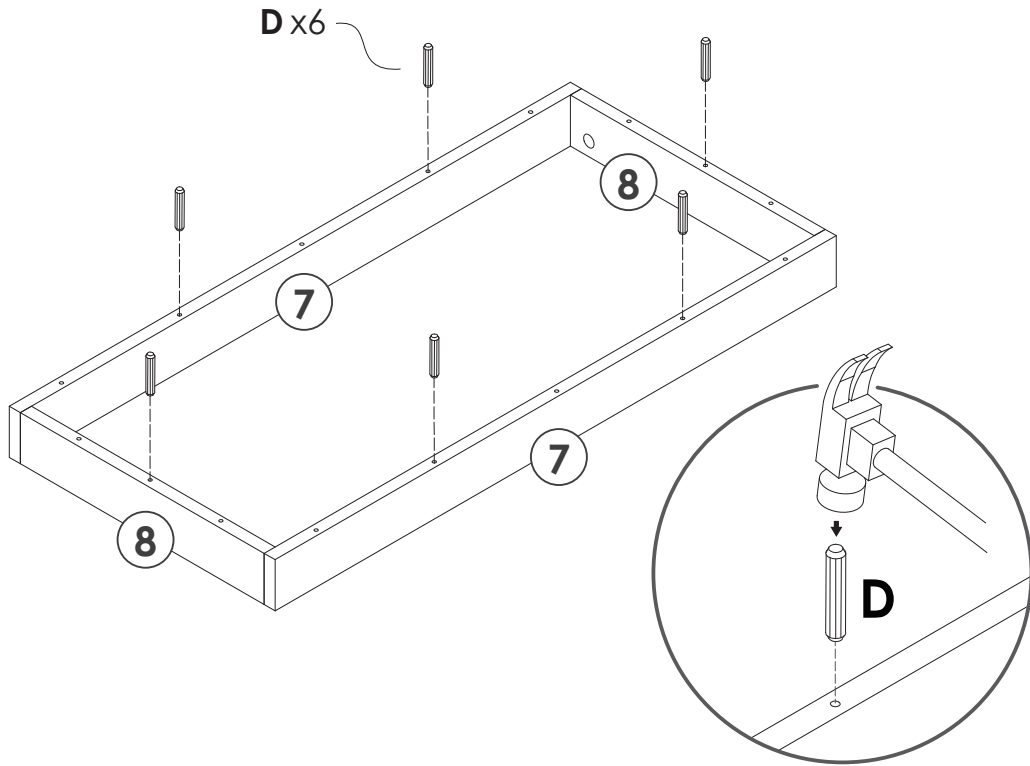
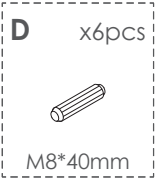
07



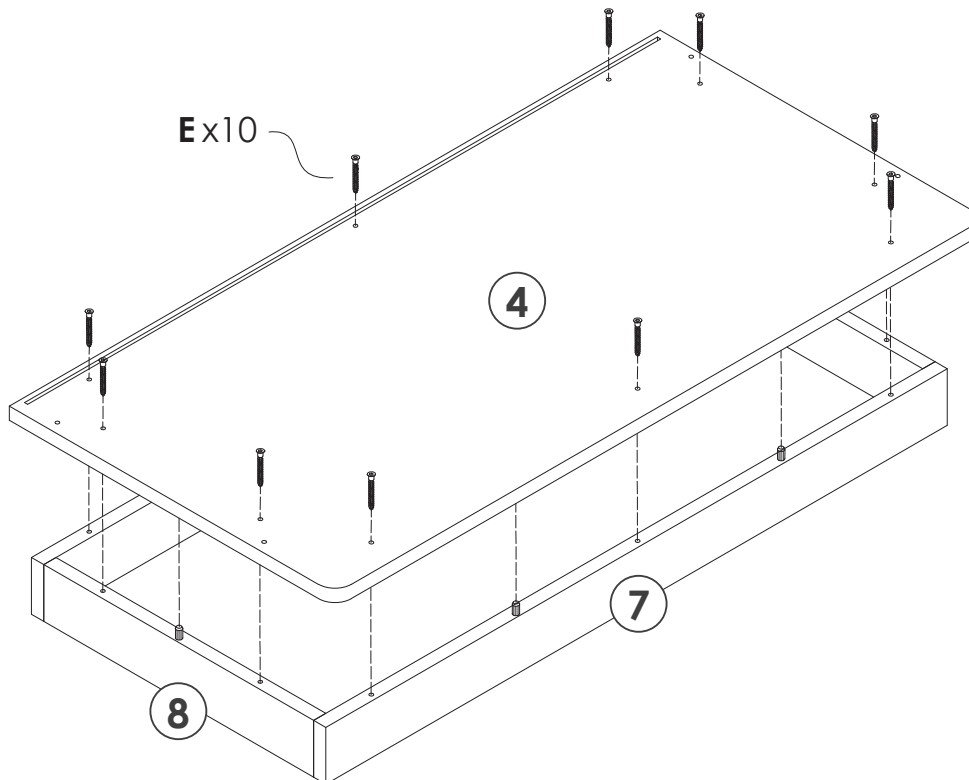
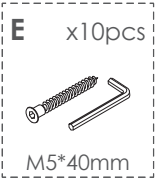
08



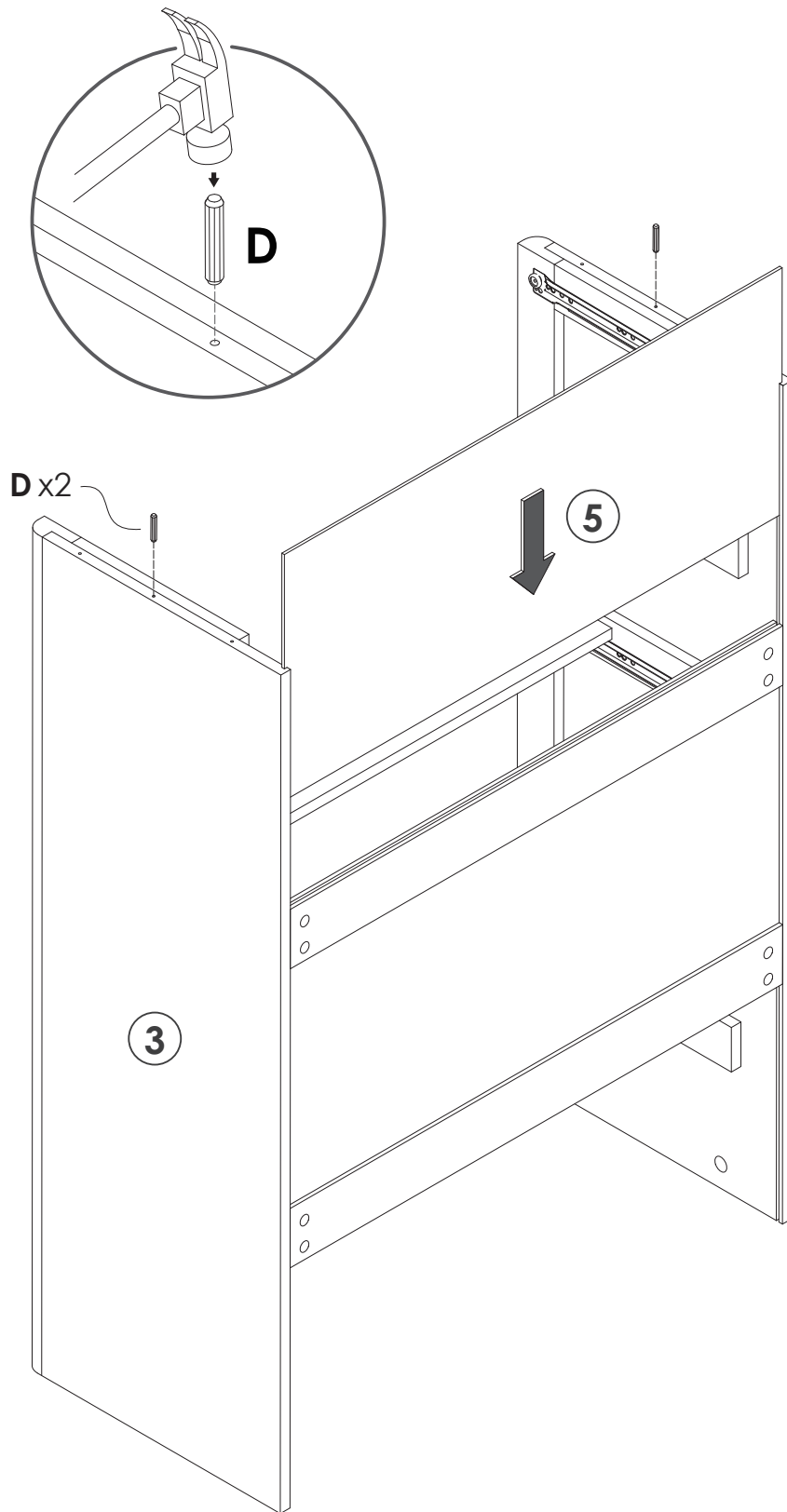
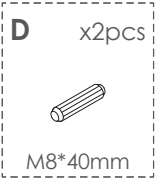
09



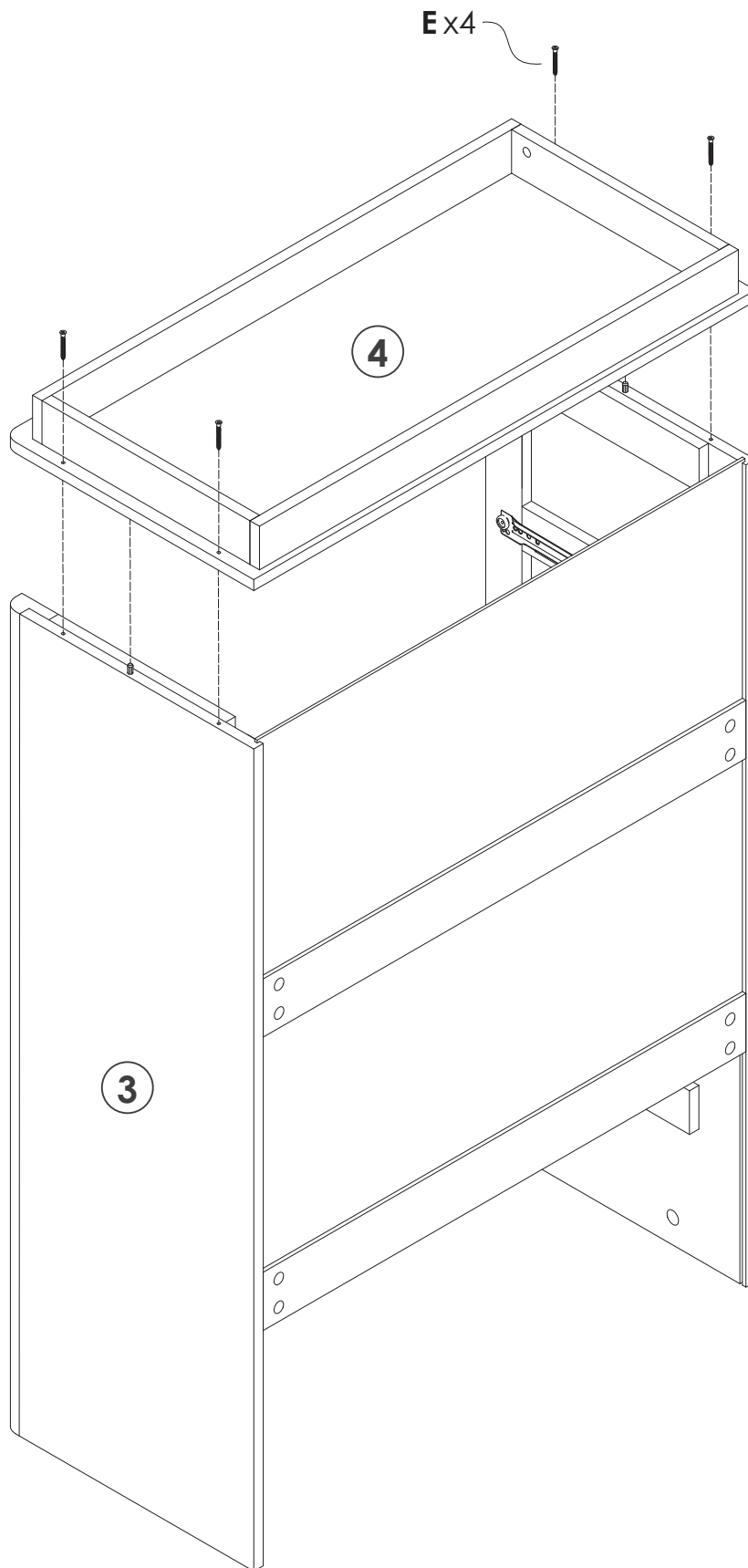
10



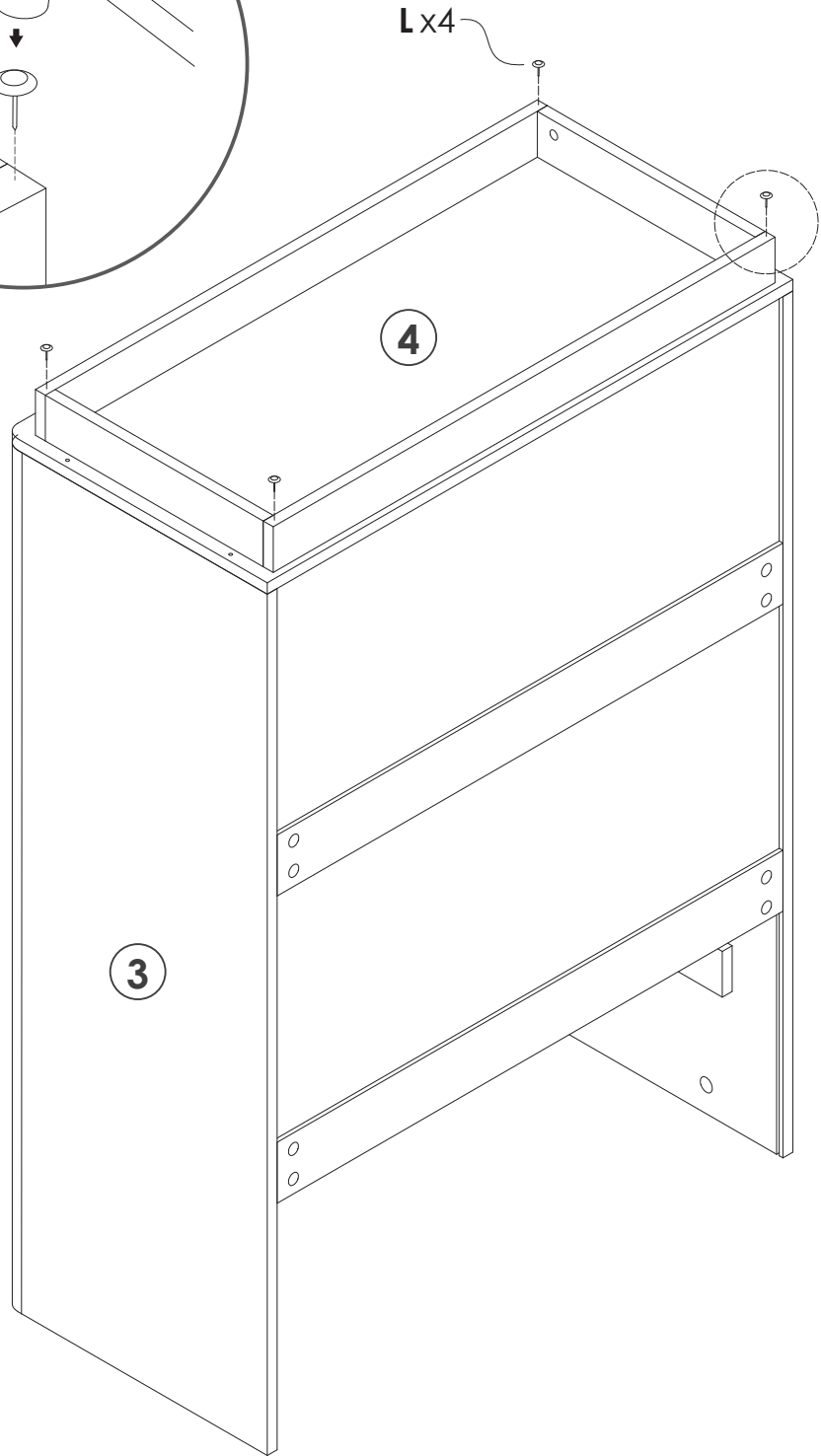
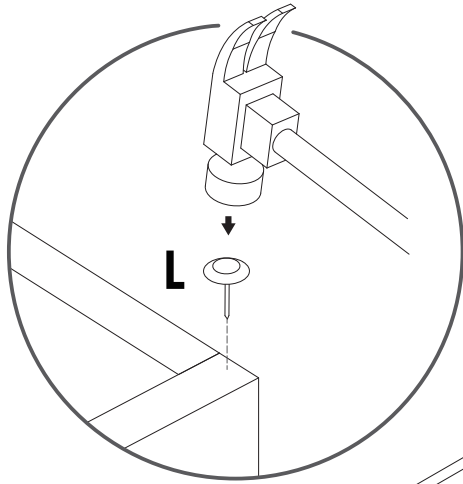
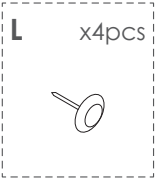
11

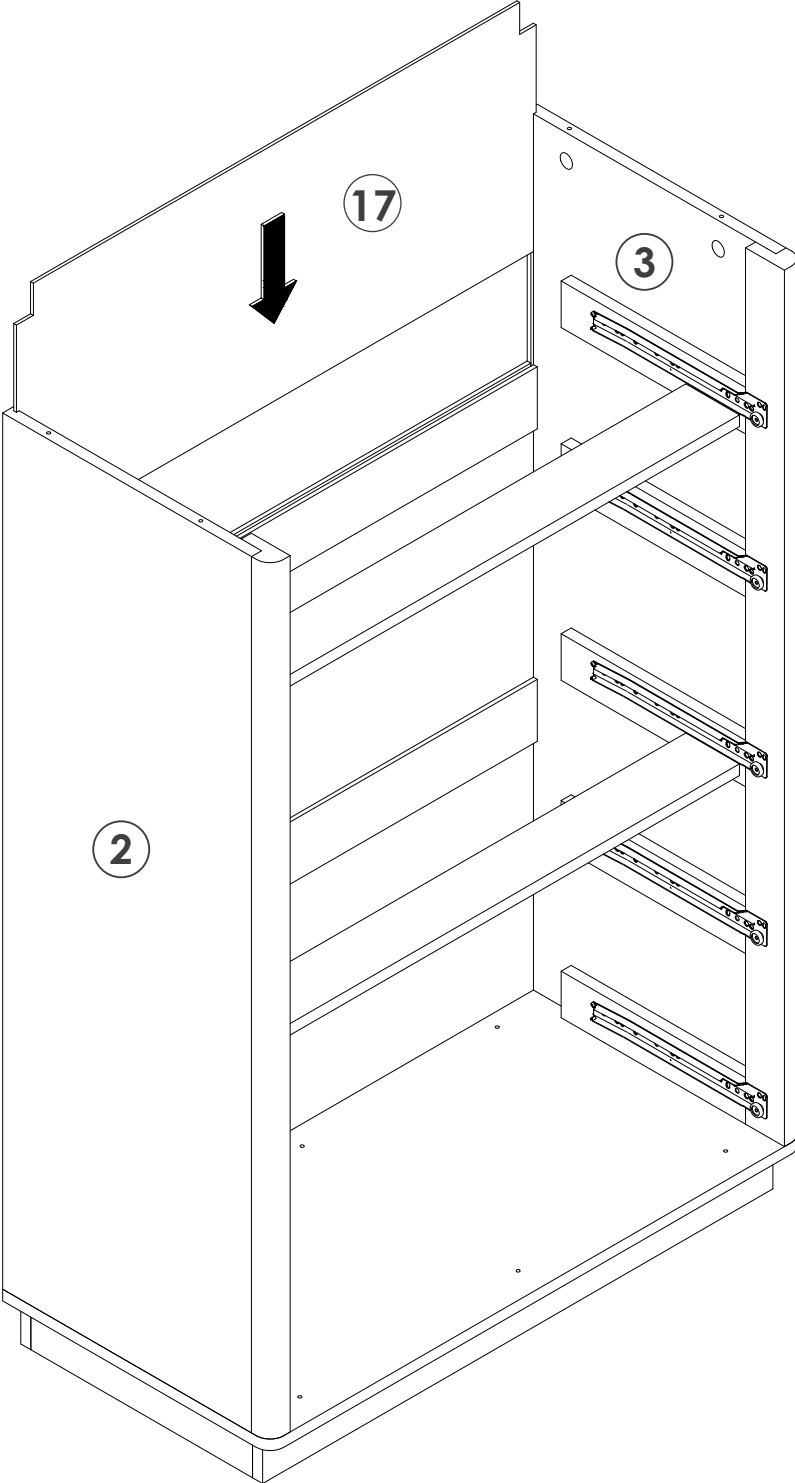


12



13





15

A x4pcs



M6*40mm

B x4pcs



M15*11mm

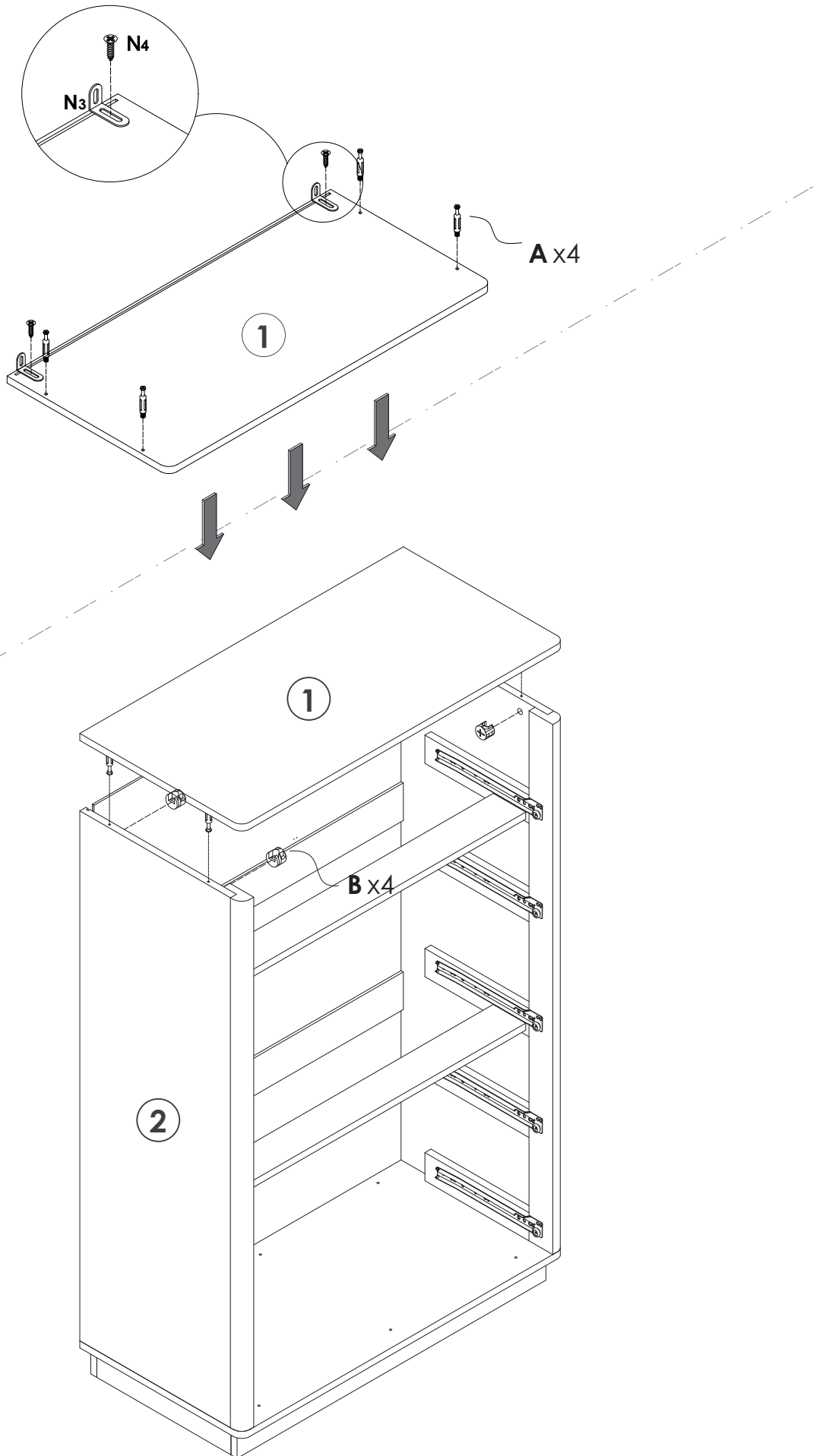
N x2pcs



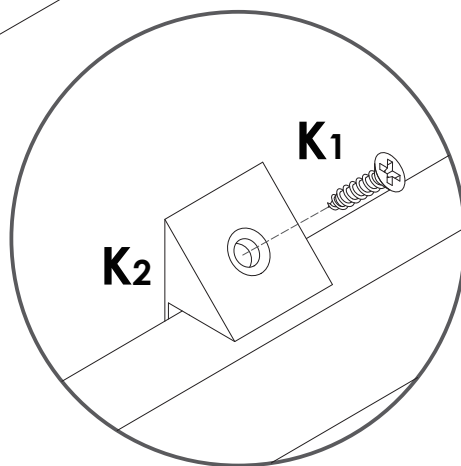
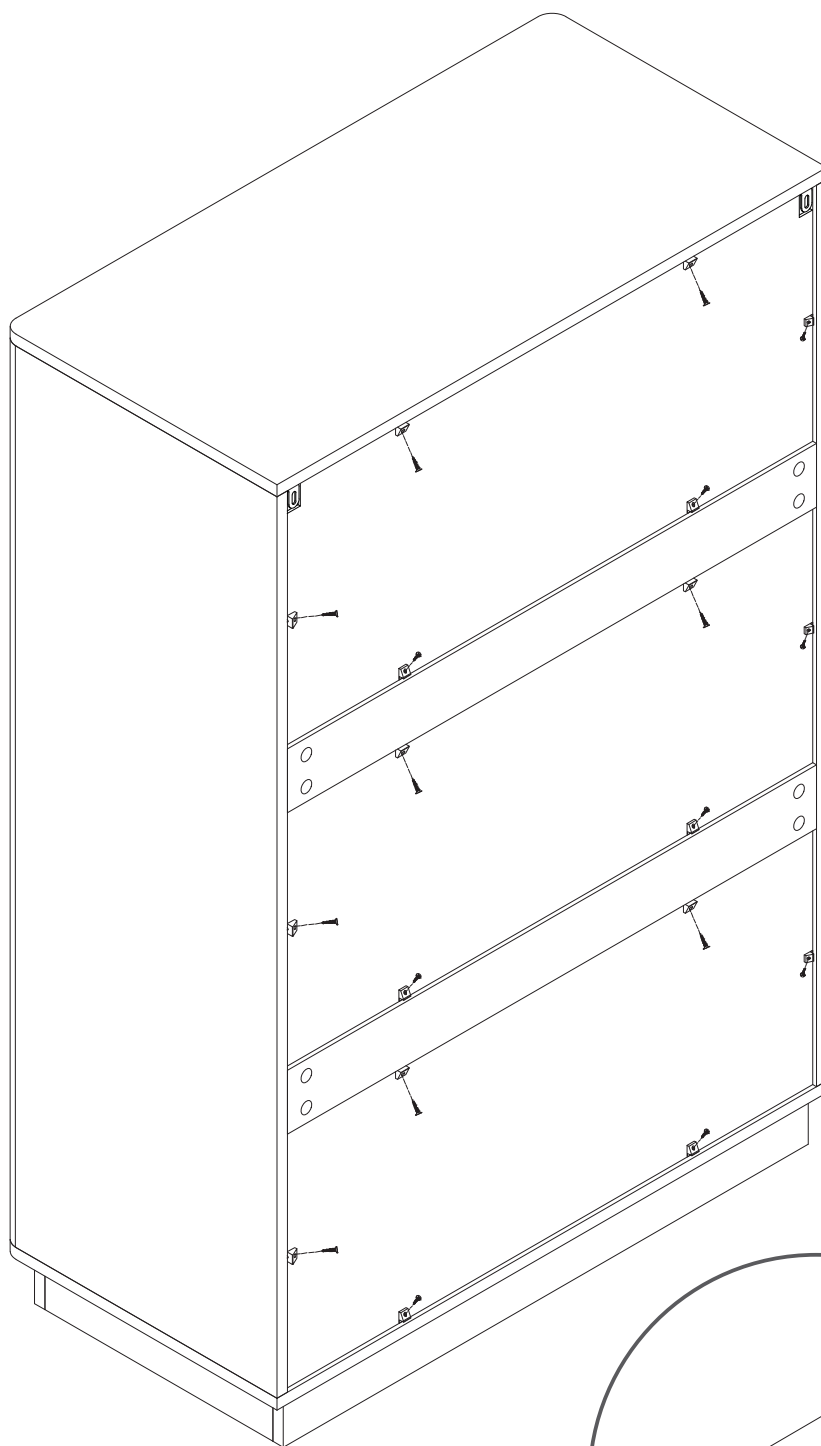
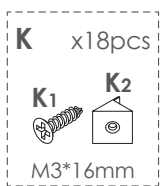
N3



N4

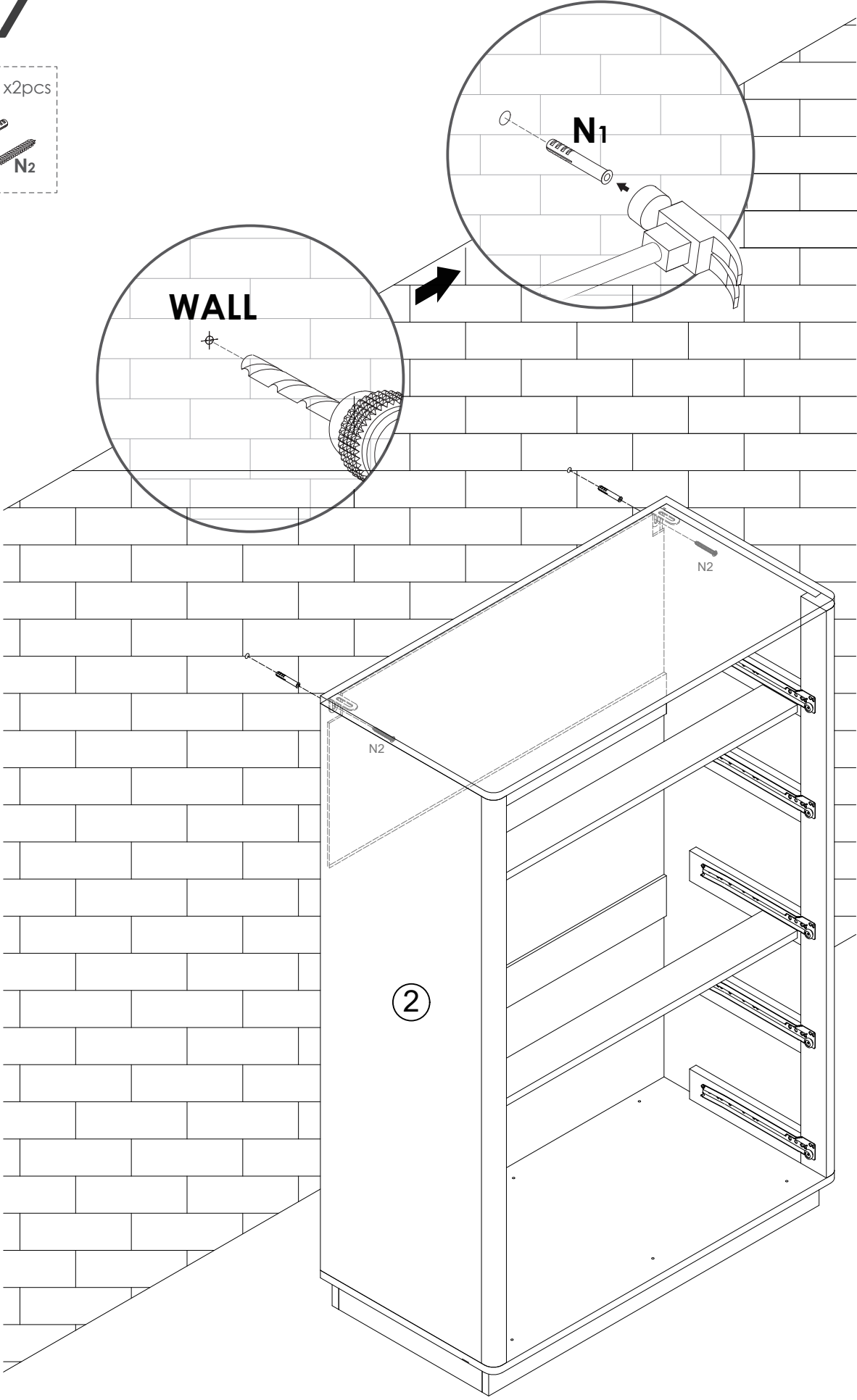


16



17

- N x2pcs
- N1
- N2



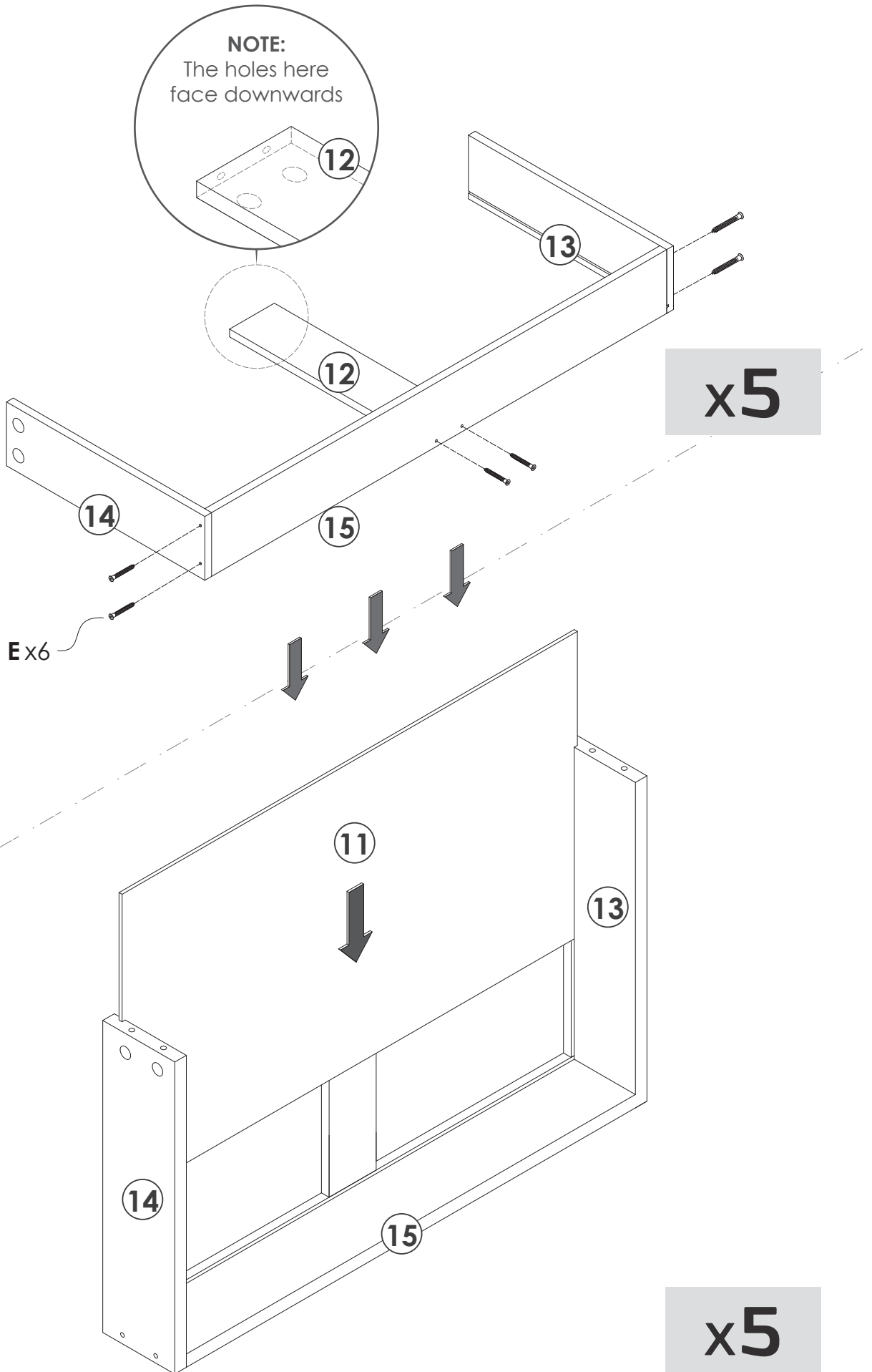
18

E x30pcs



M5*40mm

NOTE:
The holes here
face downwards



19

P x30pcs



M6*40mm

H x5pcs



F x10pcs

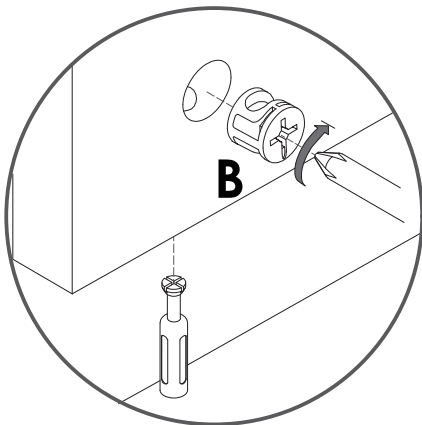
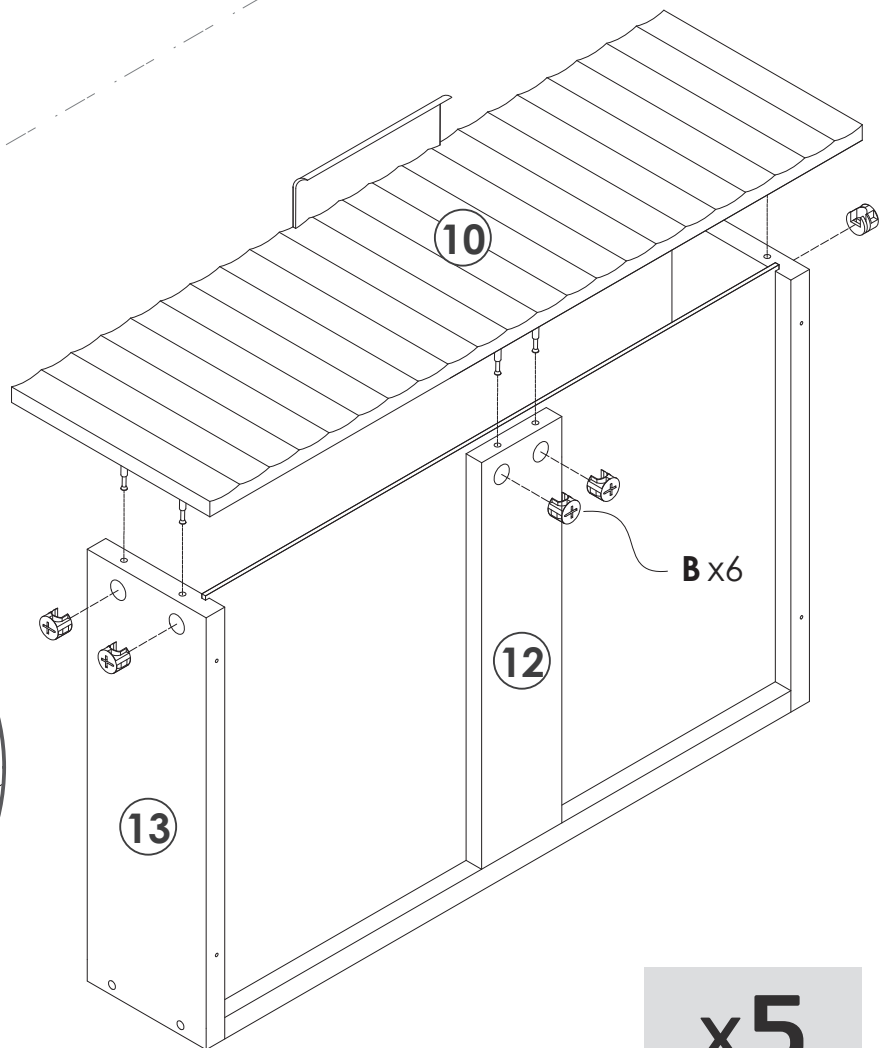
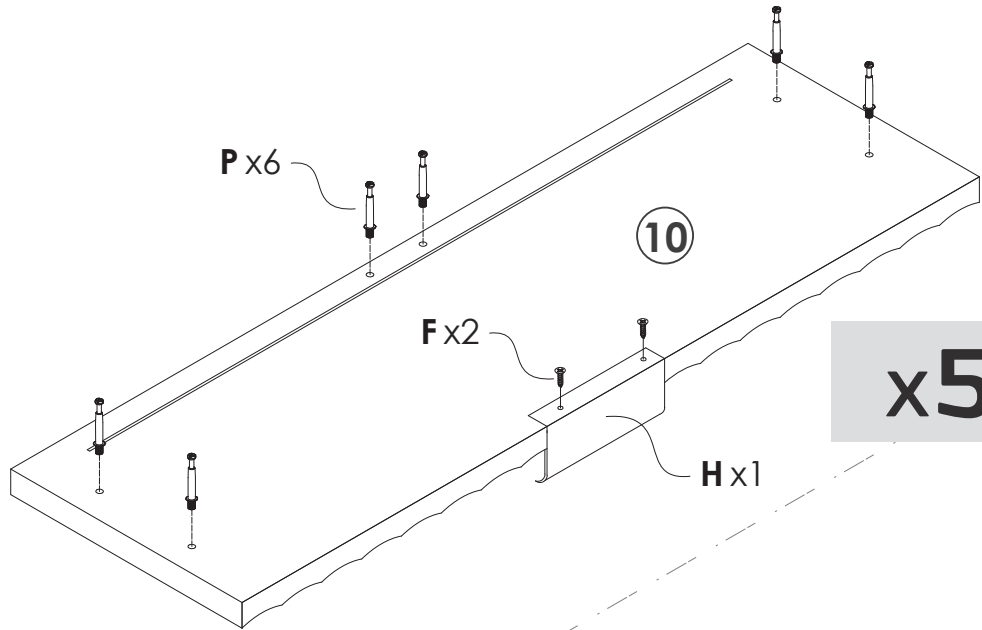


M3*12mm

B x30pcs



M15*11mm



20

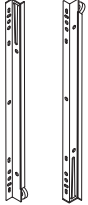
F x20pcs



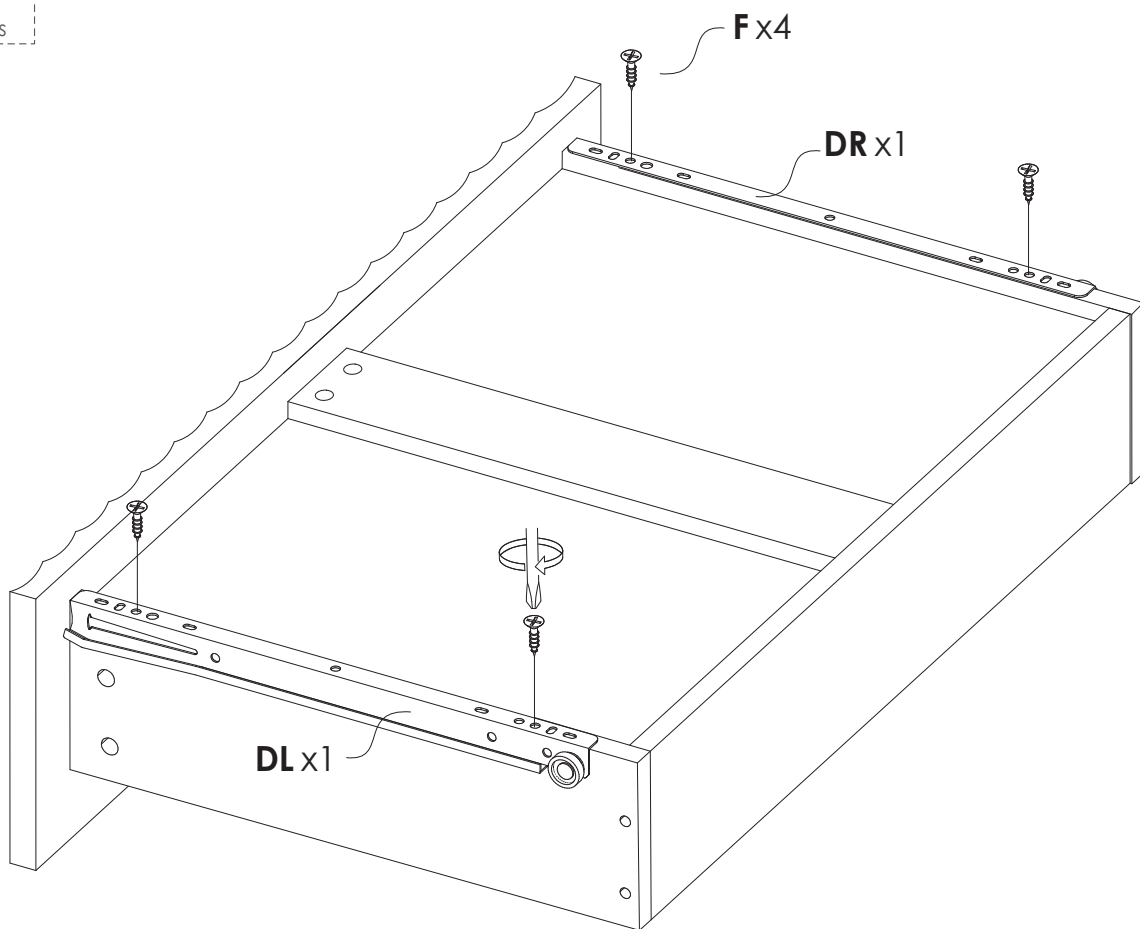
M3*12mm

M x5pcs

DL DR



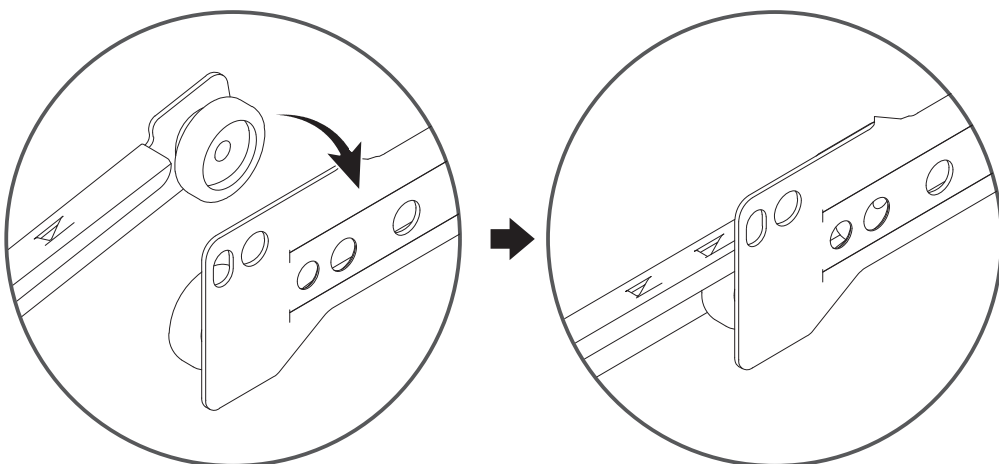
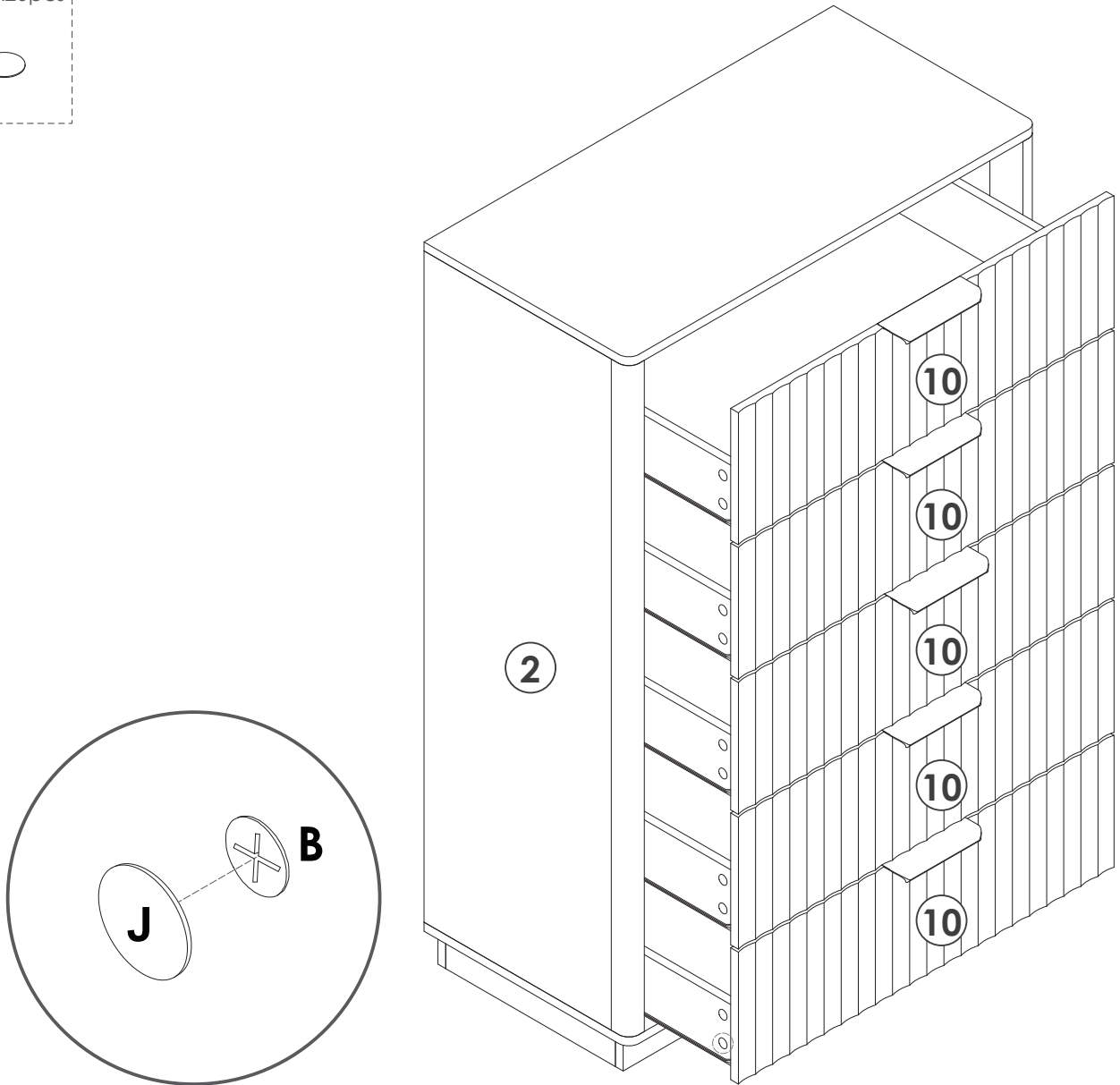
12 inches



x5

21

J x20pcs



WARRANTY

We provide an **18-month** warranty on the product starting from the date of the original purchase. If the product has any manufacturing defect, please contact us through email with details about the problem. We will send you further information about the return or exchange.

Model: JY-250329

Made in China

