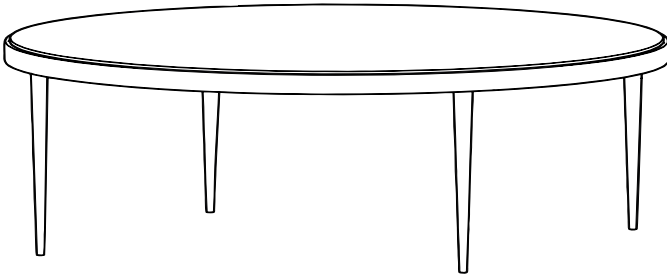




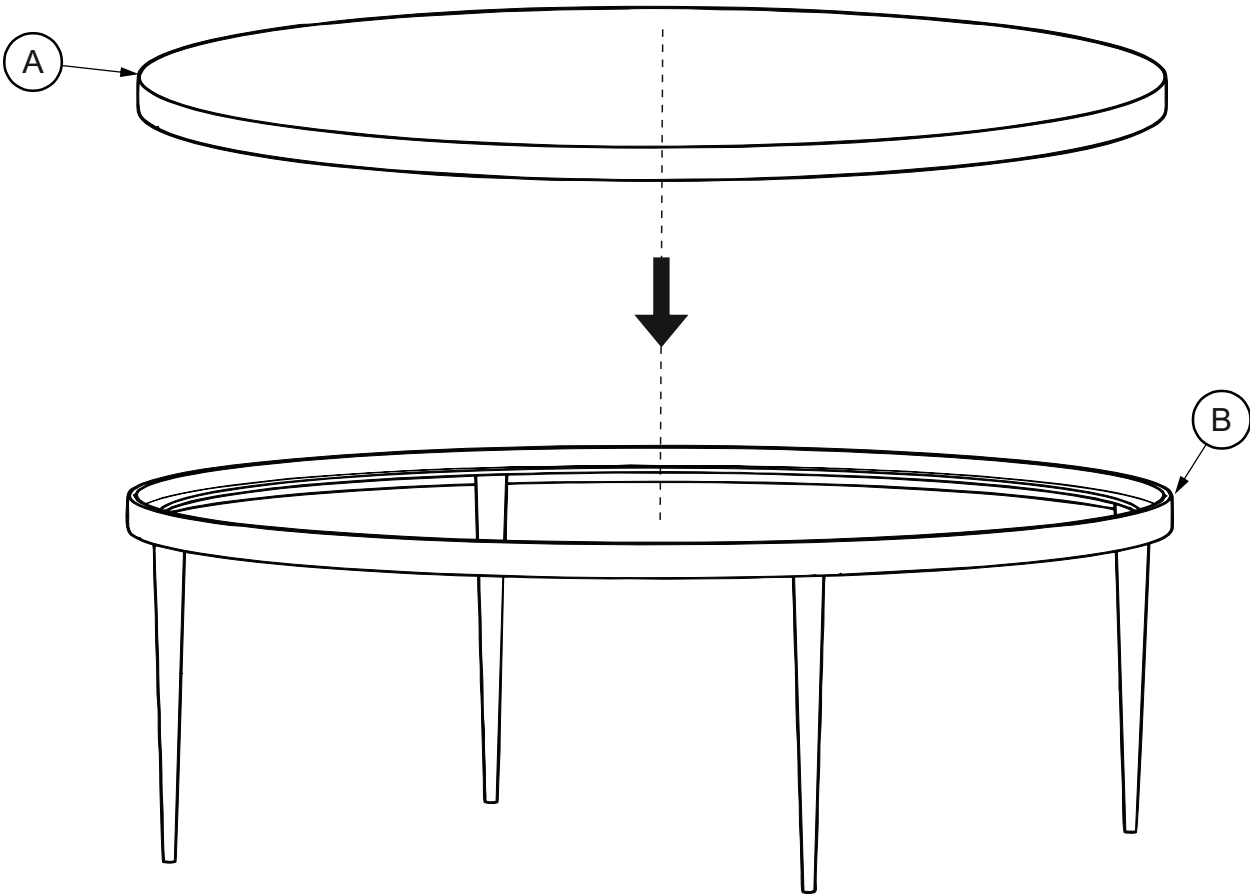
# ASSEMBLY INSTRUCTION FOR

## COFFEE TABLE 40"

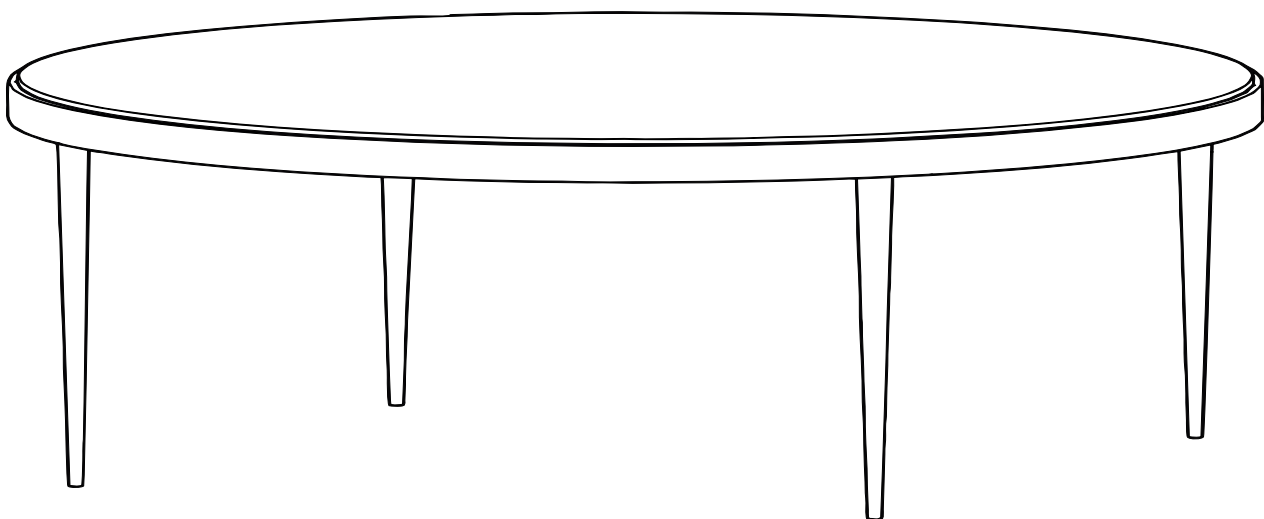


HARDWARE LIST				
A		TOP	Ø1010 X 32mm	1
B		BASE	Ø1025 X 345mm	1

### Step 1

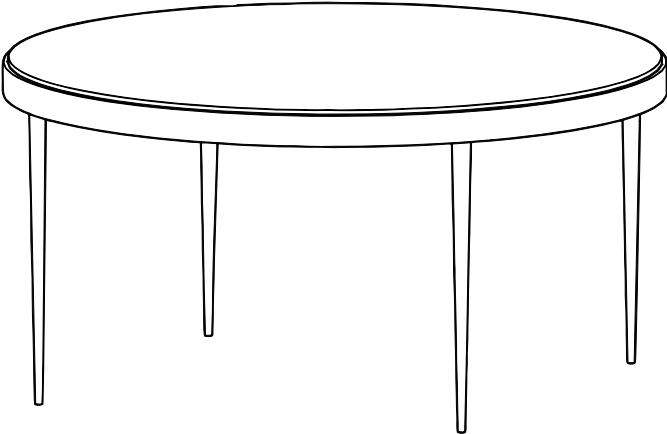


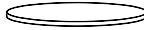

Step 2



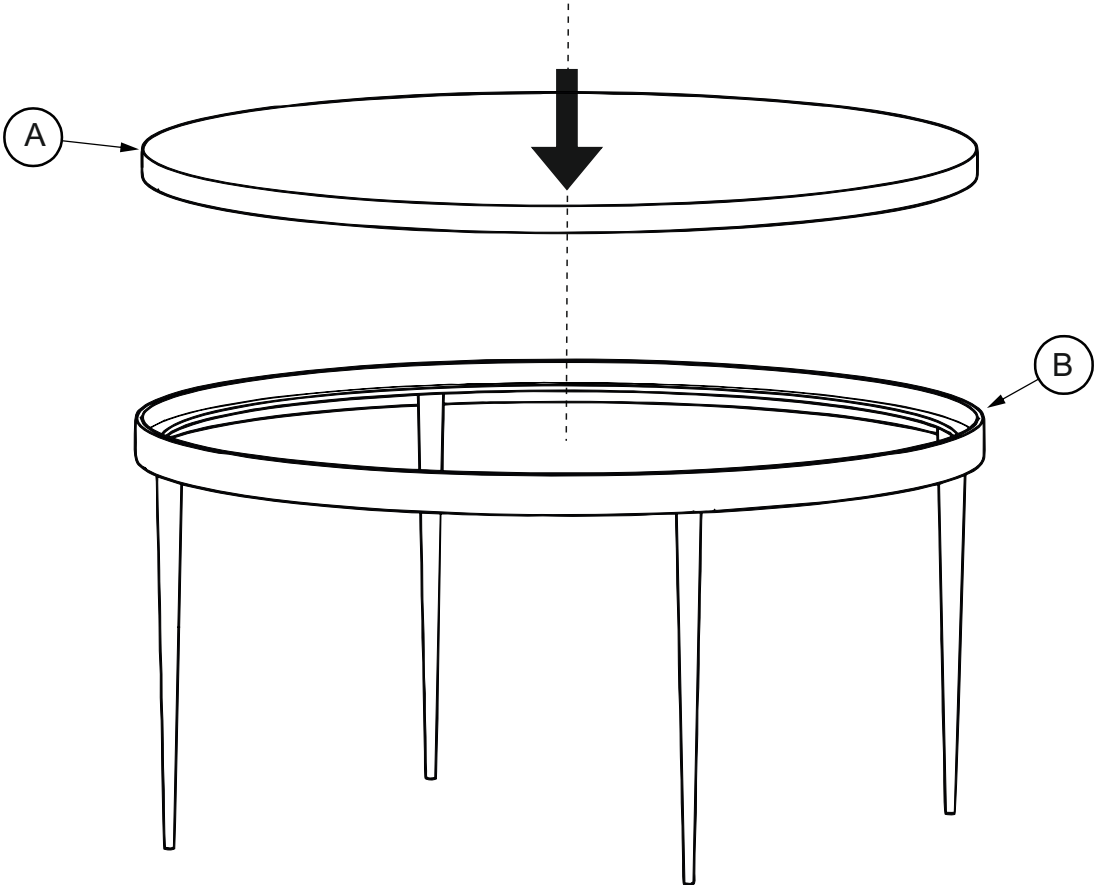
# ASSEMBLY INSTRUCTION FOR

## TABLE



HARDWARE LIST				
A		TOP	Ø800 X 25 mm.	1
B		BASE	Ø820 X 419 mm.	1

### Step 1



Step 2

