

Instruction manual



BARBECUE, BARREL MODEL

Introduction

To get the most out of your new barbecue, please read through these instructions before use. We also recommend that you save the instructions in case you need to refer to them later.

Technical data

Material: powder-coated steel and wood

Colour: black

Dimensions: 45.5"X25.5"X42.5"

With side table, shelf and handle

Special safety instructions

The barbecue should be placed on a firm, level surface before being lit.

This surface must be non-flammable, e.g. flagstones, paving stones or packed earth. There must be no flammable objects such as grass, plants or rubbish under or near to the barbecue.

We recommend lighting the barbecue and leaving the briquettes glowing red for at least 30 minutes before you start cooking.

Do not cook before the fuel has a coating of ash.

NEVER pour lighter fluid, petrol, paraffin or other flammable liquids onto the barbecue while it is hot! Doing so can cause flames or explosions, which can result in very serious burns!

Do not dispose of embers and hot ash from the barbecue in rubbish sacks.

Use separate cooking utensils for raw and cooked meat. Keep them separate to avoid transfer of bacteria to the cooked meat and the risk of food poisoning.

WARNING! This barbecue will become very hot, do not move it during operation. Do not use indoors!

WARNING! Do not use spirit or petrol for lighting or re-lighting! Use only firelighters complying to EN 1860-3!

WARNING! Keep children and pets away.

Assembly

Please refer to the illustrations at the back of these user instructions.

It takes 2 people to assemble the barbecue.

1. First remove the lids (8, 12) from the fire chamber (3) and barbecue unit (18). Save all the removed parts for later use.
2. Push the legs (1) into each other, so you have 2 pairs of legs. The legs with holes must be on the right.

Attach the pairs of legs to one another by fitting a cross brace (19) between each pair of legs using 2 screws (A) on each side. The cross brace, which is designed to support the fire chamber, must be fitted on the left side.

Attach the holders and shelf between the legs on the barbecue.

The grease collector (23) must be placed at the back on the right side under the barbecue unit.

Place the wheel axle (21) through the holes at the bottom on the right legs and fit the wheels (20) using 1 split pin (D) on each side.

3. Secure the barbecue unit (18) onto the frame using 4 screws (A).
4. Screw the side table (22) and braces (2) securely to the frame and barbecue unit using 6 screws (A) and 6 nuts (C).
5. Screw the chimney (17) securely to the right side of the barbecue unit using 4 screws (A) and 4 nuts (C).
6. Screw the air vent (4) securely to the fire chamber using 1 screw (A) and 1 nut (C).
7. Screw the handle to the air vent (4) using 1 nut (C).
8. Fit the handle (5) to the fire chamber using 2 screws (B).
9. Screw the fire chamber securely to the left side of the barbecue unit using 4 screws (A) and 4 nuts (C).
10. Screw the handles (7, 14) securely to the lids of the fire chamber and the barbecue unit using 2 screws (B).
11. Screw the lids securely onto the fire chamber and barbecue unit again using the parts that you saved from step 1.
12. Place the racks inside the fire chamber and barbecue unit.
13. The barbecue is now ready for use.

Use

It is recommended that barbecue charcoal or briquettes be used, and that no more than approximately 2.5 kg fuel be placed on the barbecue.

Light the barbecue. A barbecue starter is recommended. Do not cook before the fuel has a coating of ash.

Cleaning

Clean the barbecue rack with a barbecue brush while still warm. To remove burnt-on food, soak the rack in soapy water, and then scrub with a scouring pad or similar. Rinse with water and apply cooking oil before using again.

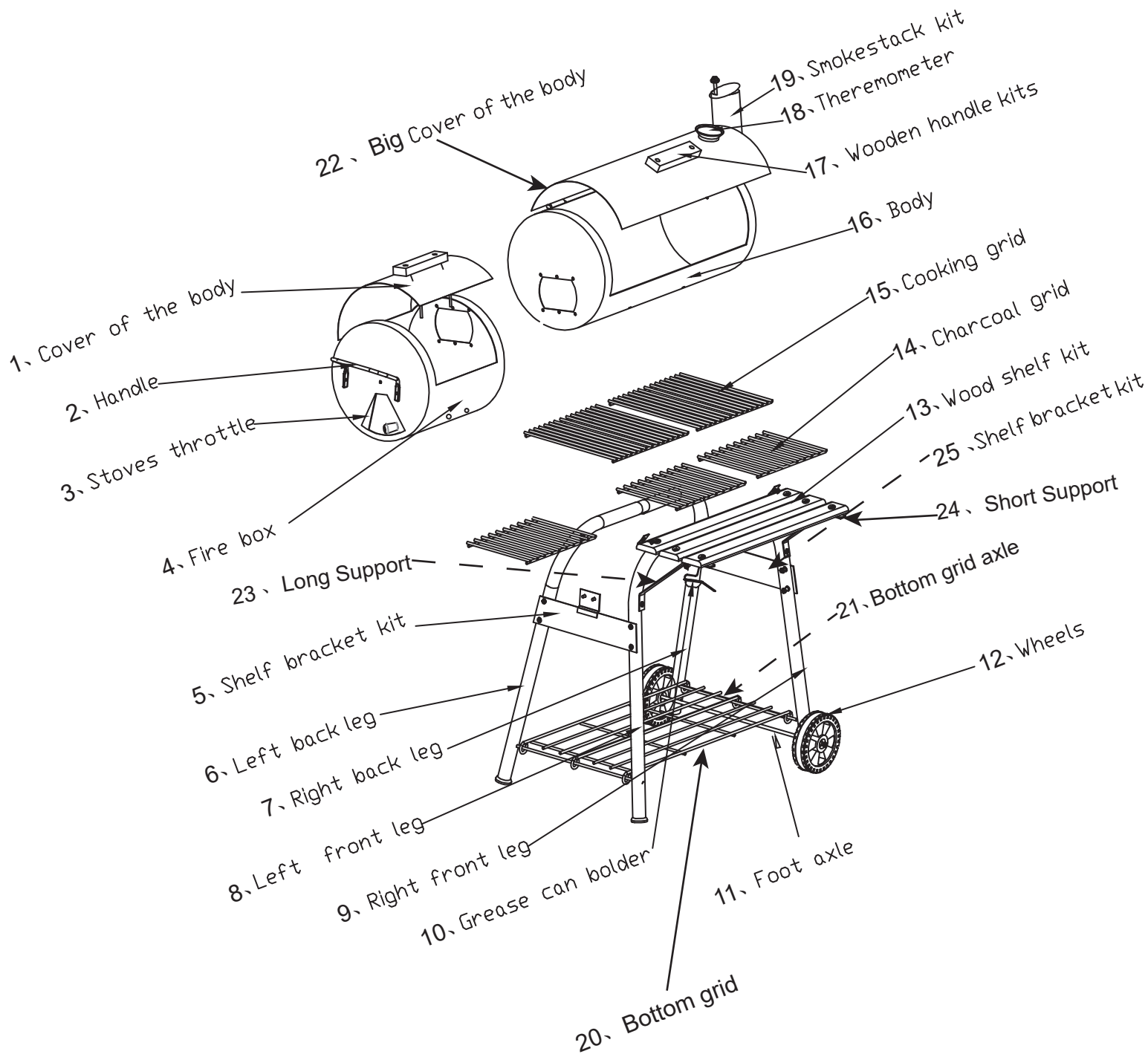
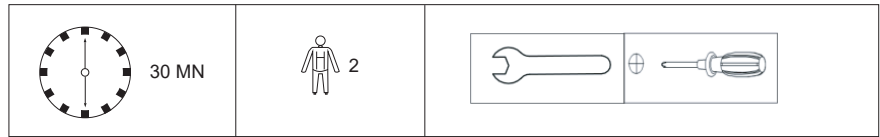
Guarantee and service

Our products undergo a strict quality-control process before delivery. If the product has unexpectedly been damaged or developed a defect during production or transport, please return it to the retailer. You can legally make a claim under the guarantee in the following circumstances:

During this period, we will repair or replace the product if it is found to be defective due to material or production faults.

Faults caused by incorrect use or handling, faults caused by unauthorised intervention or repairs, and faults caused by use of non-original parts are not covered by the guarantee.

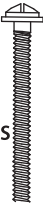
Assembly View




Part List


No.	name	qty.	No.	name	qty.
1	Cover of the body	1	14	Charcoal grid	3
2	Handle	1	15	Cooking grid	2
3	Stoves throttle	1	16	Body	1
4	Fire box	1	17	Wooden handle kits	2
5	Shelf bracket kit	1	18	Theremometer	1
6	Left back leg	1	19	Smokestack kit	1
7	Right back leg	1	20	Bottom grid	1
8	Left front leg	1	21	Bottom grid axle	2
9	Right front leg	1	22	Long cover of the body	1
10	Grease can bolder	1	23	Long support	2
11	Foot axle	1	24	Short support	2
12	Wheel	2	25	Shelf bracket kit	1
13	Wood shelf kit	3			


Screw Part List

A: M6-40 14 pcs 

D: M6-12 17 pcs 


F: M5-80 4 pcs 

G: M5-25 6 pcs 

E: M4-10 8 pcs 

B: M6 31 pcs 

H: M5 10 pcs 

J: 16*62 Sleeve 4 pcs 

I: M4 8 pcs 

C: M8 2 pcs 

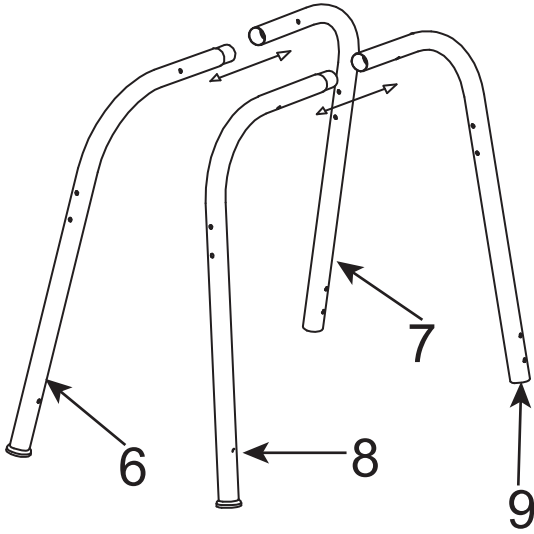
L: M6 1 pcs 

M: Spacer 10 pcs 

N: Washer 2 pcs 

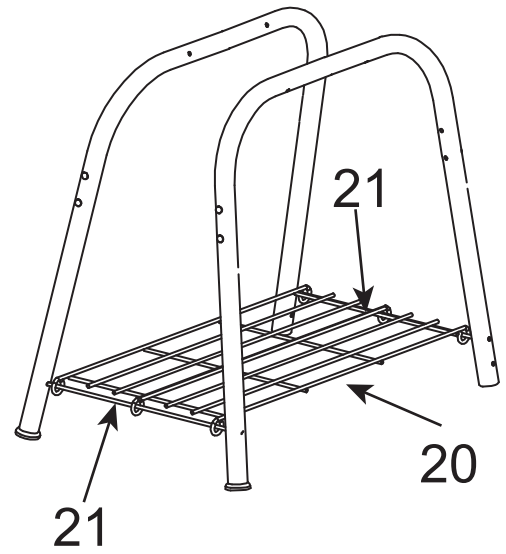
Install Step.

Step 1



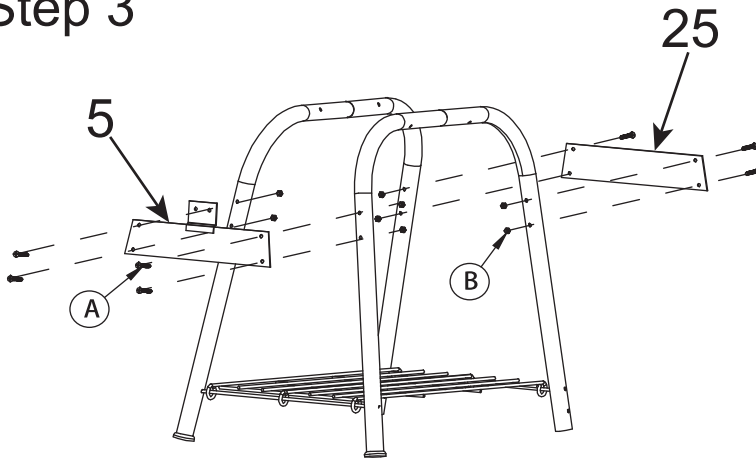
Leg assembly .Install the 6 & 7 & 8 & 9.

Step 2



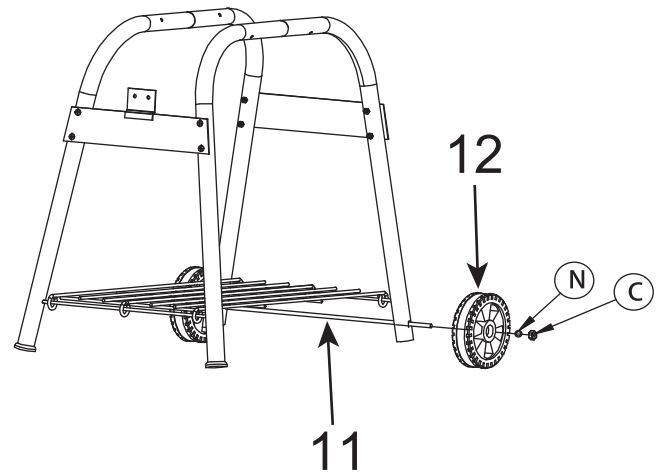
Install the 20 bottom grid to the leg by using 2 pcs 21 bottom grid axle.

Step 3



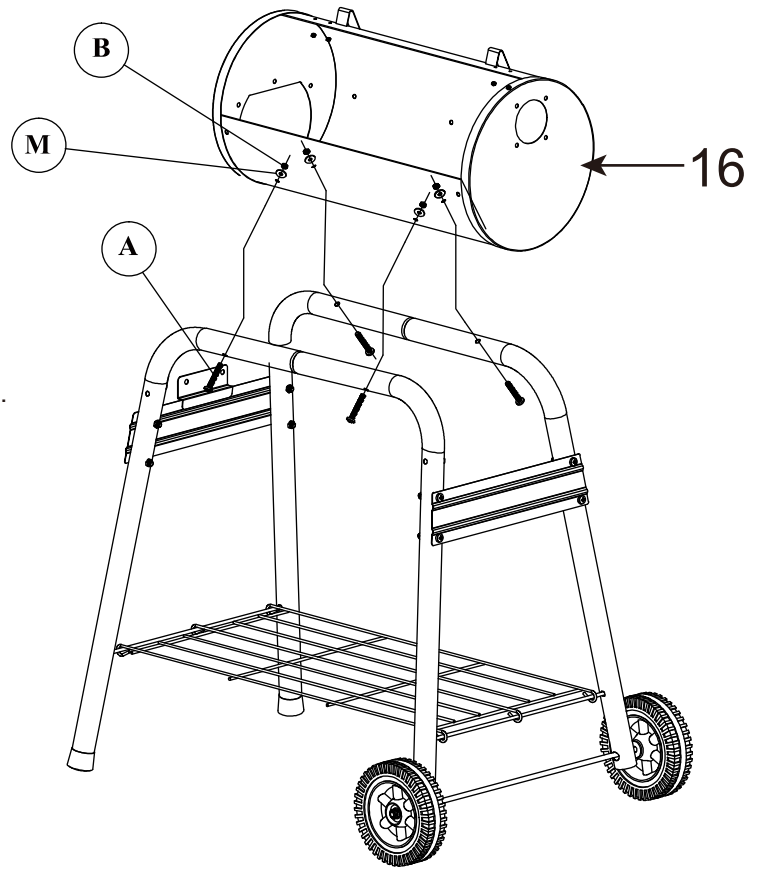
Install the 5 shelf bracket kit to the leg 6 & 8 by using 4 pcs A&B.
Install the 25 shelf bracket kit to the leg 7 & 9 by using 4 pcs A&B.

Step 4



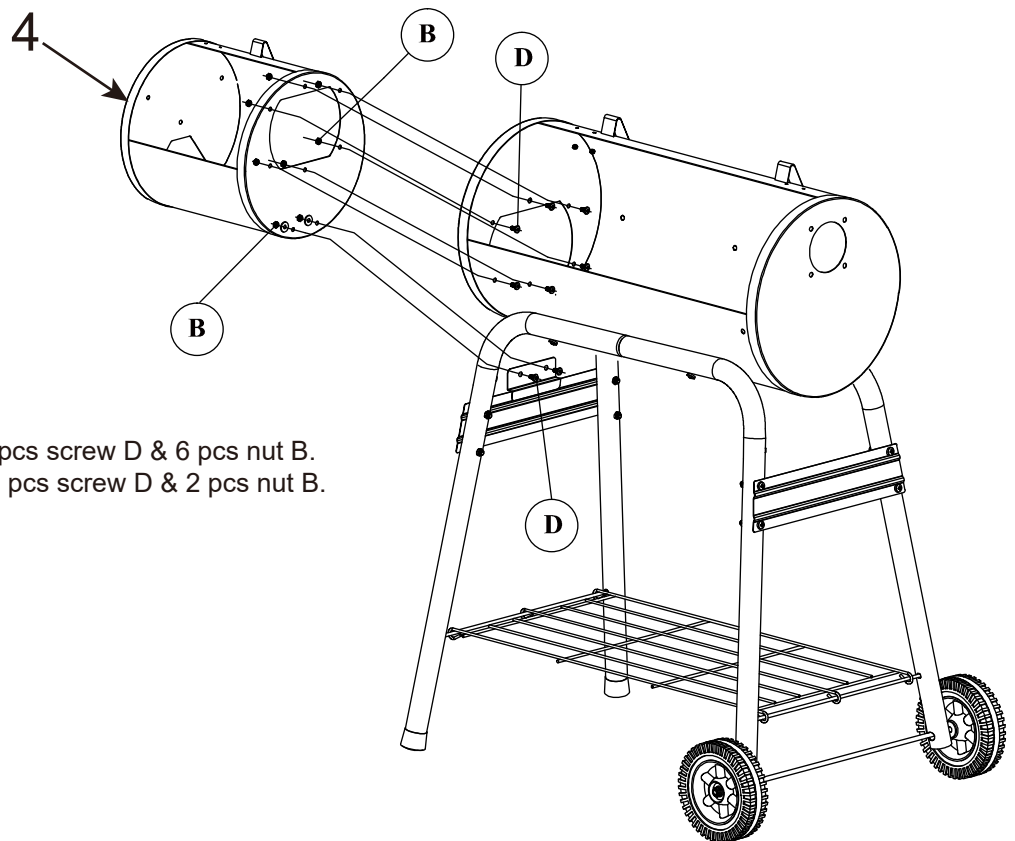
Install the 12 wheel to the leg 7 & 9.
Using the N & M8 mutter tighten.

Step 5



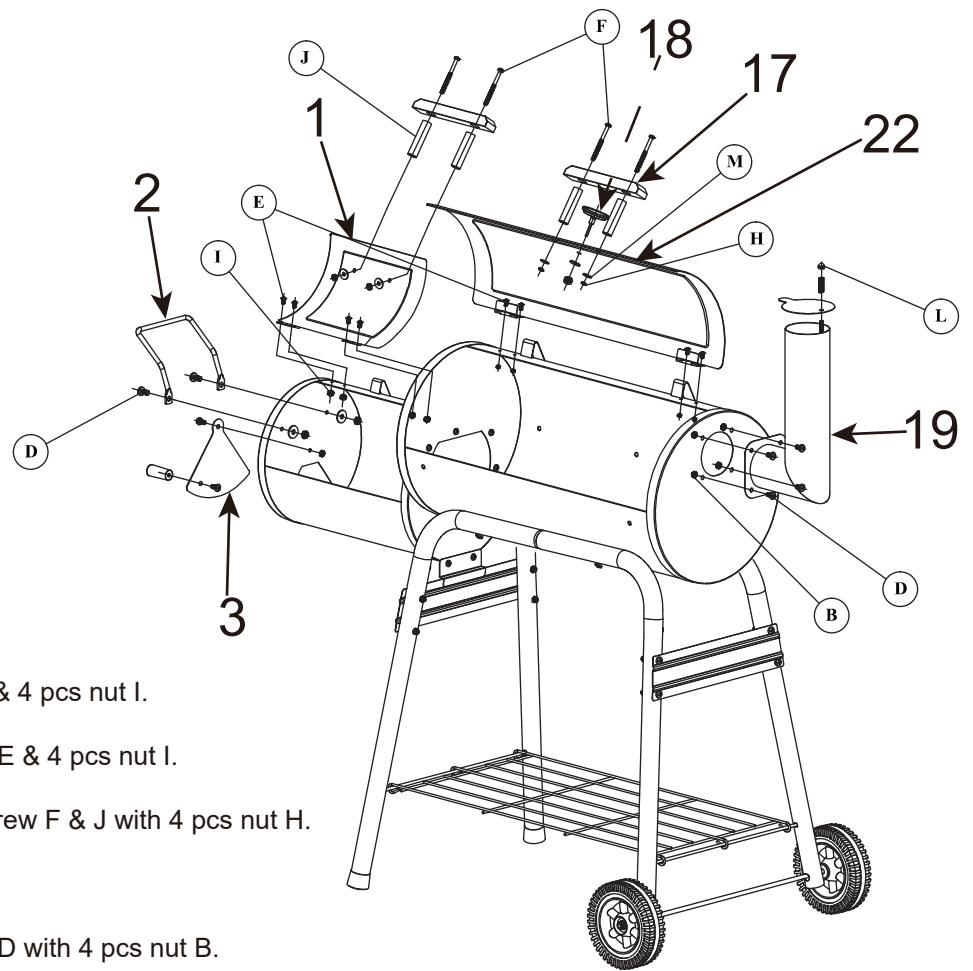
Install 16 to the leg 6 & 7 & 8 & 9 by using
4 pcs screw A & 4 pcs nut B (also with 4 pcs M).

Step 6



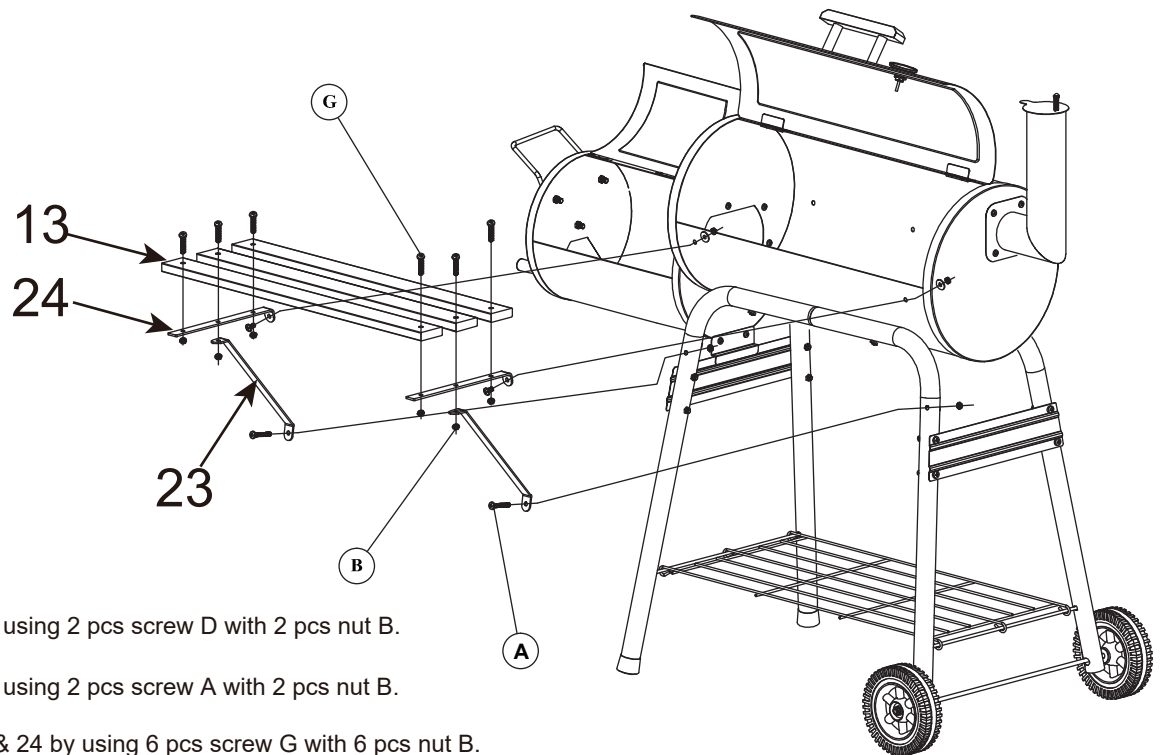
Install 4 to 16 by using 6 pcs screw D & 6 pcs nut B.
Install 4 with 5 by using 2 pcs screw D & 2 pcs nut B.

Step 7



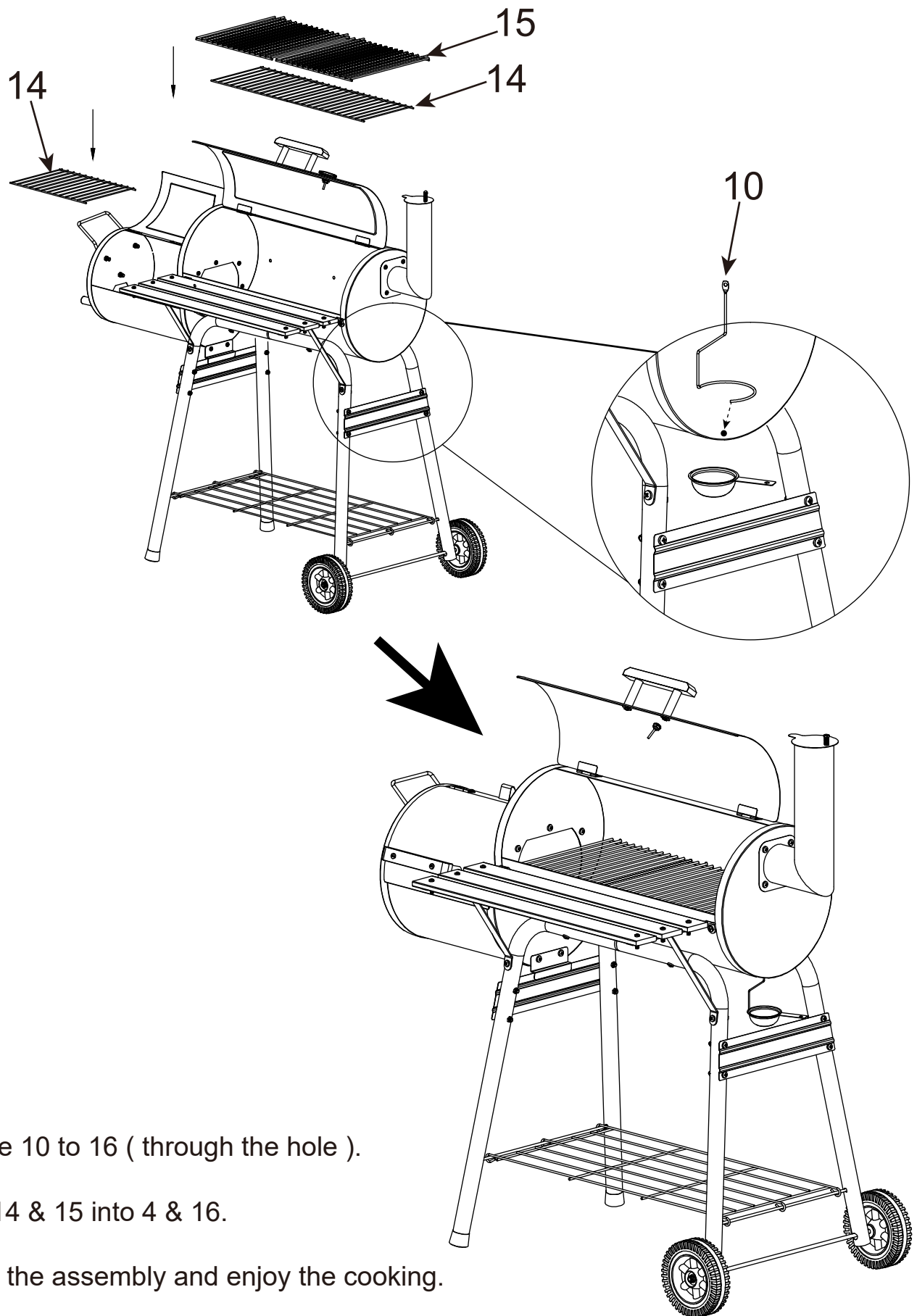
- 1、 Install 1 to 4 by using 4 pcs screw E & 4 pcs nut I.
- 2、 Install 22 to 16 by using 4 pcs screw E & 4 pcs nut I.
- 3、 Install 17 to 1 & 22 by using 4 pcs screw F & J with 4 pcs nut H.
- 4、 Install 18 to 22 .
- 5、 Install 19 to 16 by using 4 pcs screw D with 4 pcs nut B.
- 6、 Install 2 to 4 by using 2 pcs screw D with 2 pcs nut B.
- 7、 Install 3 to 4 by using 1 pcs screw D with 1 pcs nut B.

Step 8



- 1、 Install 2 pcs 24 to 16 by using 2 pcs screw D with 2 pcs nut B.
- 2、 Install 2 pcs 23 to 16 by using 2 pcs screw A with 2 pcs nut B.
- 3、 Install 3 pcs 13 with 23 & 24 by using 6 pcs screw G with 6 pcs nut B.

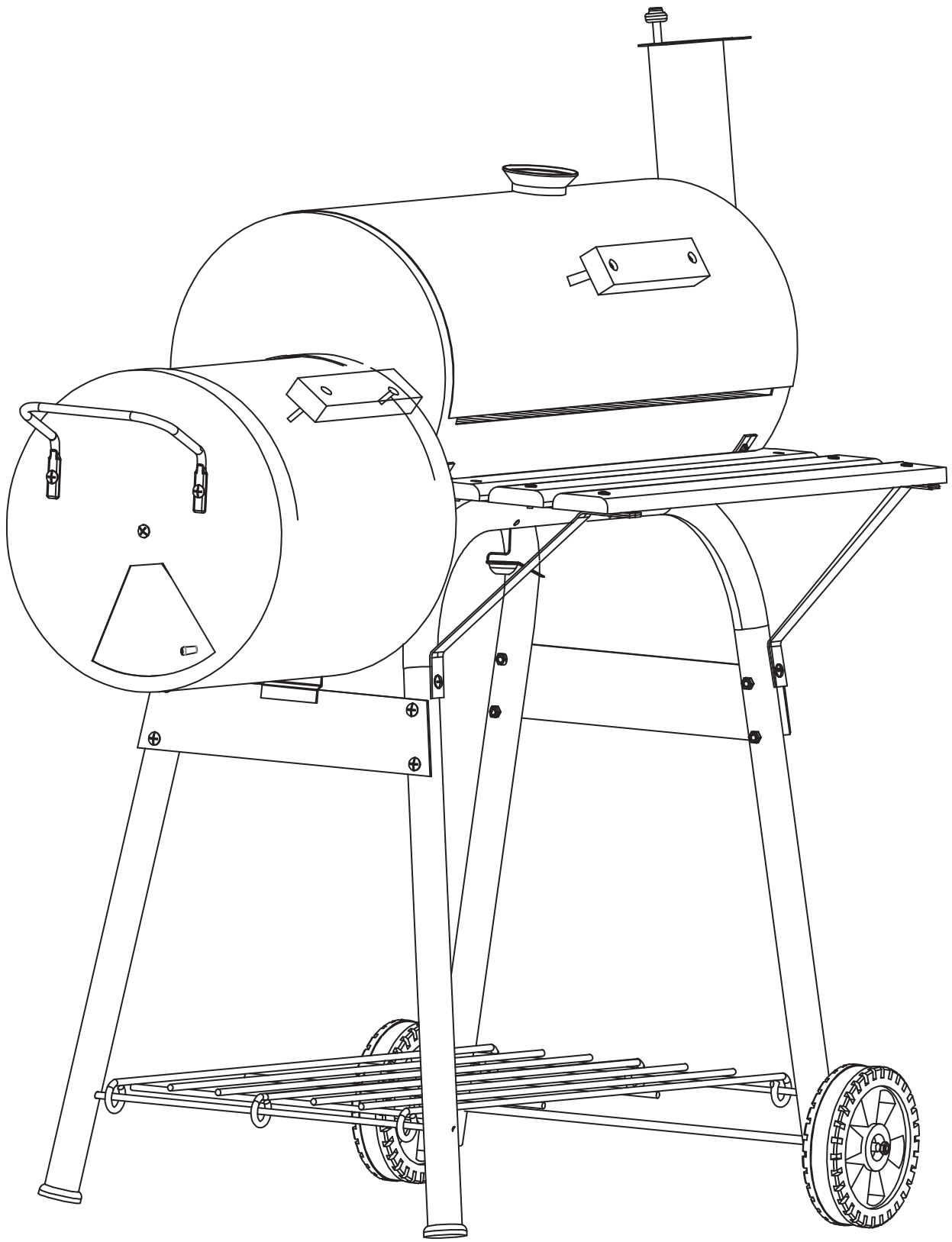
Step 9



Install the 10 to 16 (through the hole).

Put the 14 & 15 into 4 & 16.

Finished the assembly and enjoy the cooking.



Note:Pls check carefully all the part if have leave in the box ,Because all the part are packed by the paper and box ,It is easy missed some small parts leave in the box if you didn't check it carefully.