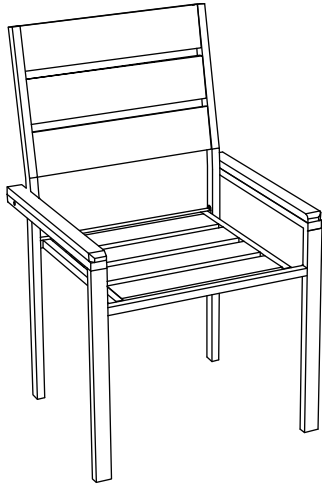


DINING CHAIR

ASSEMBLY MANUAL



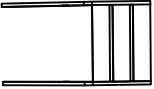


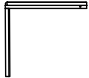



ASSEMBLY INSTRUCTIONS



- Prior to assembly, make sure you lay out and identify all the parts listed below in the parts list.
- Tighten all nuts and bolts securely. All bolts should be hand tightened before use. Never use power tools or excessive force during assembly and tightening of bolts.

Warning:

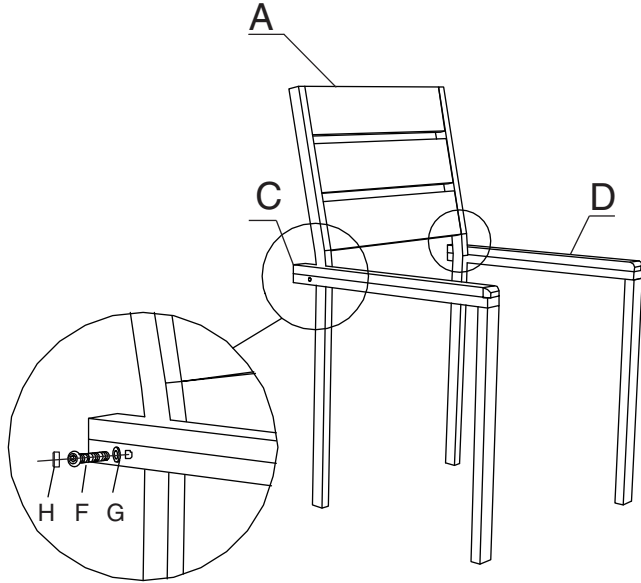
1. Max loading capacity of the chair:300 Lbs.

Part list

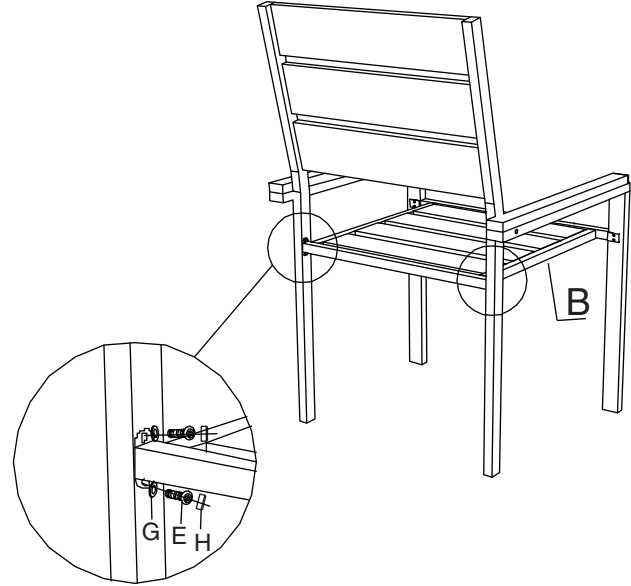
Part	Description	Qty
A	 Back	2
B	 Seat	2
C	 Left Leg	2
D	 Right Leg	2
E	 M6*20 Bolt	16
F	 M6*55 Bolt	4
G	 Washer	20

Part	Description	Qty
H	 End cap	20
J	 Allen key	1

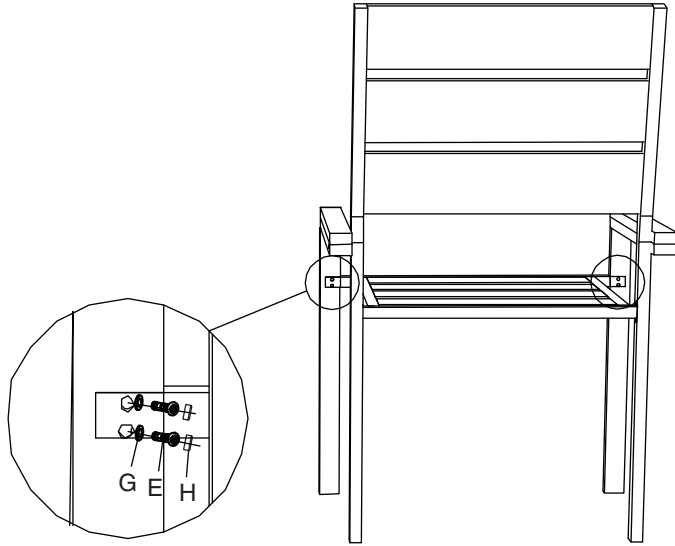
- 1.** Connect Back (Part A) Left Leg (Part C) & Right Leg (Part D) using Bolt (F) , washer (G) and end cap (H) as shown in diagram.



- 2.** Connect Seat (Part B) with rear Legs of Back (Part A) using Bolt (E), Washer (G) and end cap (H) as shown in diagram.



- 3.** Link Seat (Part B) with front Legs (Part C&Part D) using Bolt (E), Washer (G) and end cap (H) as shown in diagram.



- 4.** Make sure all bolts are fixed tightly before using on the level ground.

