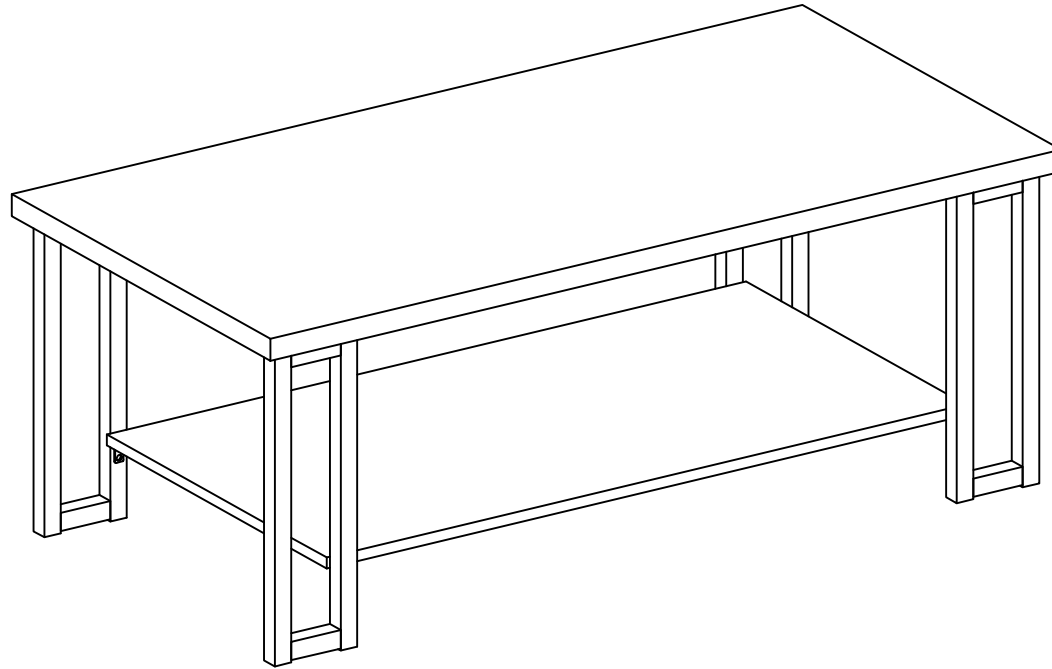


# Assembly Instructions

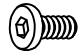
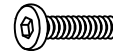





CUSTOMER SERVICE:  
WE'RE HERE 24 HOURS 7 DAYS TO HELP YOU!

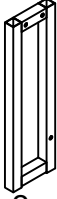
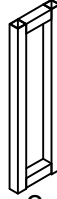
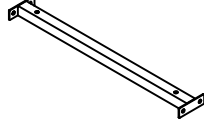
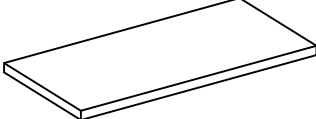

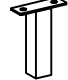
THANKS FOR YOUR PURCHASE! WE DO OUR BEST TO INSURE THAT YOUR FURNITURE ARRIVES IN EXCELLENT CONDITION. IN THE EVENT THAT A PART IS DAMAGED OR MISSING, WE WILL BE HAPPY TO PROVIDE YOU WITH REPLACEMENT PARTS, AT NO CHARGE, WITHIN 30 DAYS OF PURCHASE. IF YOU NEED ASSISTANCE WITH ASSEMBLY OR REPLACEMENT PARTS, PLEASE CONTACT OUR CUSTOMER SERVICE, PLEASE ATTACH YOUR USER NAME OR ORDER ID SO THAT WE CAN ASSIST YOU BETTER. IF YOU'RE SATISFIED WITH OUR PRODUCT, SHARE YOUR SHOPPING EXPERIENCE WITH YOUR FRIENDS AND FAMILIES.

IMPORTANT: PLEASE READ ALL THE INSTRUCTIONS BEFORE STARTING ASSEMBLY

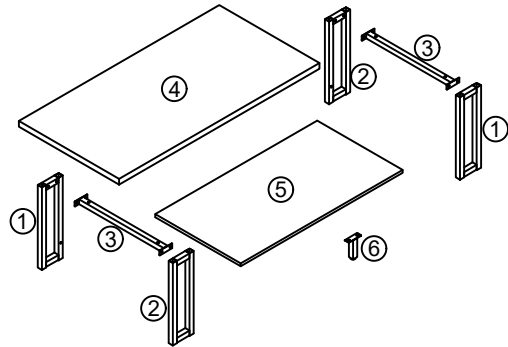
# Hardware

<b>A</b> M6x12mm Screw  18 pcs + 1 pc	<b>B</b> M6x30mm Screw  4 pcs + 1 pc	<b>C</b> M6 Foot Pad  1 pc	<b>D</b> Allen Key  1 pc	<b>E</b> 30x30X16X2mm Shelf Supporter  4 pcs
---	--	--	--	--

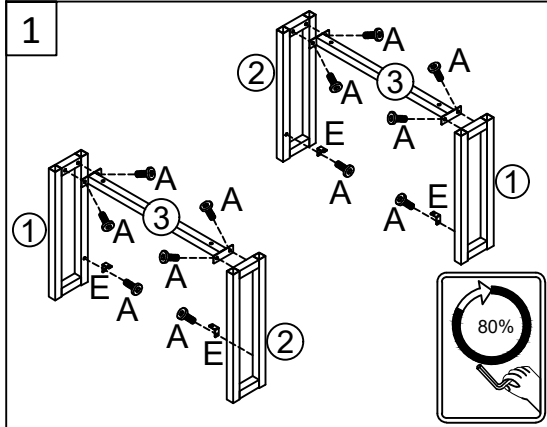
# Parts

<b>1</b> Side Frame 1  2 pcs	<b>2</b> Side Frame 2  2 pcs	<b>3</b> Connector  2 pcs	<b>4</b> Table Top  1 pc	<b>5</b> Shelf  1 pc	<b>6</b> Middle Foot  1 pc
--	--	--	--	--	--

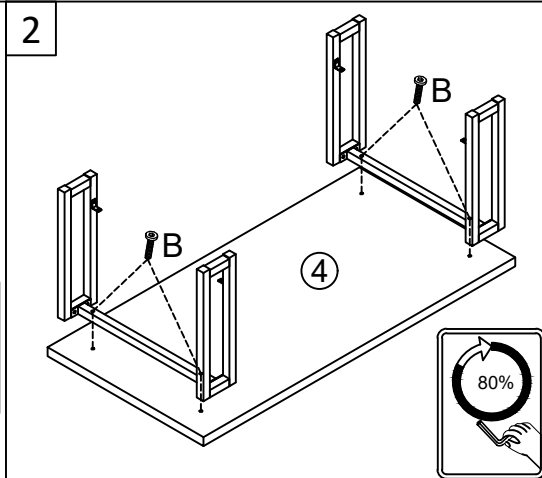
# Overview



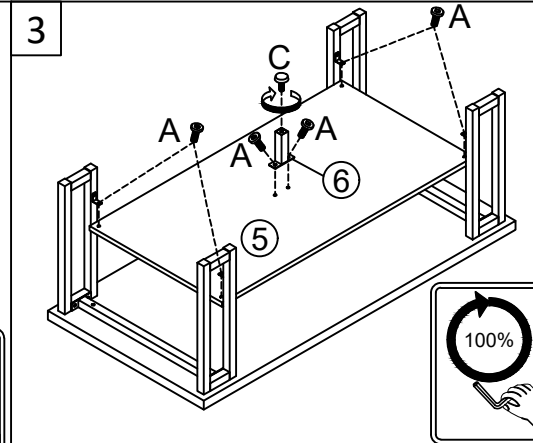
To give you an overview of all parts, the picture is to help you put the various parts into perspective. Please read through the instructions below to familiarise yourself with the parts and steps before assembly. This may require 2 people to assemble.



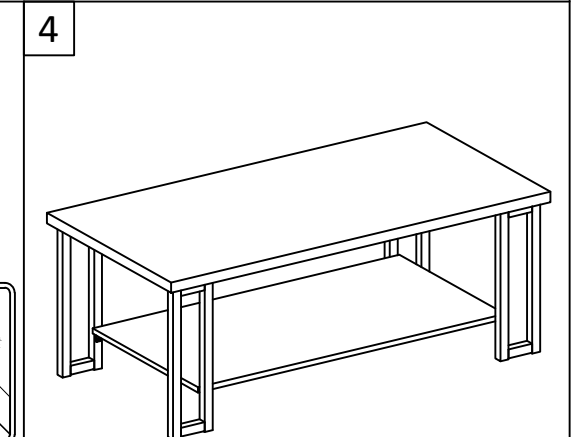
Attach Connector 3 to Side Frames 1 & 2 using screw A and Allen wrench. Attach Shelf Supporter E to Side Frames 1 & 2 using screw A.



Attach assembled frame (from step 1) to Table Top 4 using screw B.



Attach Shelf 5 to the shelf supporter D and secure it using screw B. Attach Middle Leg 6 to Shelf 5 and secure it using screw A. Attach Foot Pad to Middle Leg 6.



Finished.