

### Features

- One-piece wall-hung toilet.
- Compact elongated bowl with 3" glazed trapway offers added comfort while occupying the same space as a round-front bowl.
- Mounting hardware is completely concealed, giving Veil a sleek, seamless look that is easy to clean.
- Dual-flush actuator offers a choice of 0.8 or 1.6 gallons per flush (gpf).
- Includes Grip Tight Reveal Q3 seat, wall-hung bowl, flush actuator, and in-wall carrier.
- Supply line not included.
- Large flush actuator plate can be removed for easy access to inner tank.

### Technology

- Dual-flush technology allows you to choose between a full- or partial-flush.

### Installation

- Fully insulated in-wall tank and carrier system with rigid solid steel tube frame for 2" x 6" installation.
- Adjustable durable steel frame carrier allows the bowl to be set anywhere from 15-3/8 inches to 28-1/2 inches from floor.

### Water Conservation & Rebates

- WaterSense® toilets meet strict EPA flushing guidelines, including using at least 20 percent less water than 1.6-gallon toilets.
- Eligible for consumer rebates in some municipalities.

### Optional Accessories

- K-6298 Flush Actuator Plate
- K-6291 Wall-Hung Toilet Cast Iron Waste Pipe
- K-4670-C Commercial Toilet Seat
- K-4670-CA Commercial Toilet Seat
- K-4670-SA Commercial Toilet Seat
- K-4670-SC Commercial Toilet Seat

### Components

Product includes:

- K-6284 In-Wall Tank and Carrier System
- K-6299 Wall-Hung Elongated Toilet Bowl
- K-6298 Flush Actuator Plate

Additional included component/s: Toilet Seat.



**ADA** **CSA B651** **OBC**

### Codes/Standards

ASME A112.19.2/CSA B45.1  
ASME A112.19.14  
ASME A112.6.2  
DOE - Energy Policy Act 1992  
EPA WaterSense®  
ADA  
ICC/ANSI A117.1  
CSA B651  
OBC

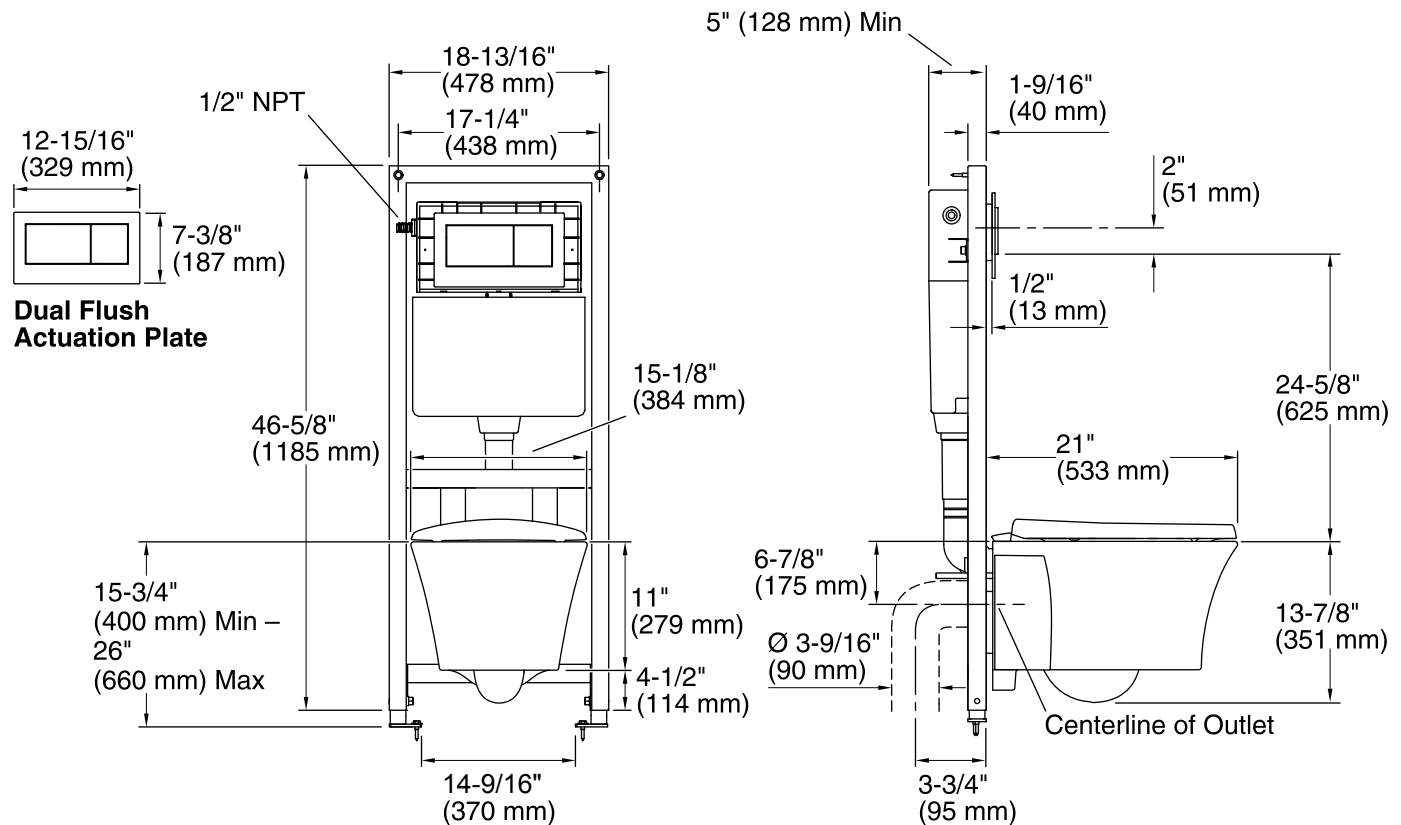
### KOHLER® One-Year Limited Warranty

See website for detailed warranty information.

### Available Color/Finishes

*Color tiles intended for reference only.*

Color	Code	Description
	0	White
	96	Biscuit
	47	Almond
	NY	Dune
	7	Black Black™



### Technical Information

All product dimensions are nominal.

Toilet type:	In-wall
Bowl shape:	Elongated front
Trap passageway:	3" (76 mm)
Water Consumption	
Full:	1.6 gpf (6 lpf)
Reduced:	0.8 gpf (3 lpf)
Water surface size:	4-1/2" x 5-1/2" (114 mm x 140 mm)
Seat-mounting holes:	5-1/2" (140 mm)

### Notes

Install this product according to the installation guide.

Installation requires 2x6 framing.

Refer to manufacturer and local codes for flush valve requirements.

Install the in-wall tank and carrier system in a wall opening 5-1/2" (140 mm) x 19" (483 mm) x 50" (1270 mm) minimum.

K-4670 is the recommended toilet seat for public use accessible installations.

ADA, OBC, CSA B651 compliant when installed to the specific requirements of these regulations.

The Model Plumbing Codes require the installation of elongated open-front toilet seats on public bathrooms.