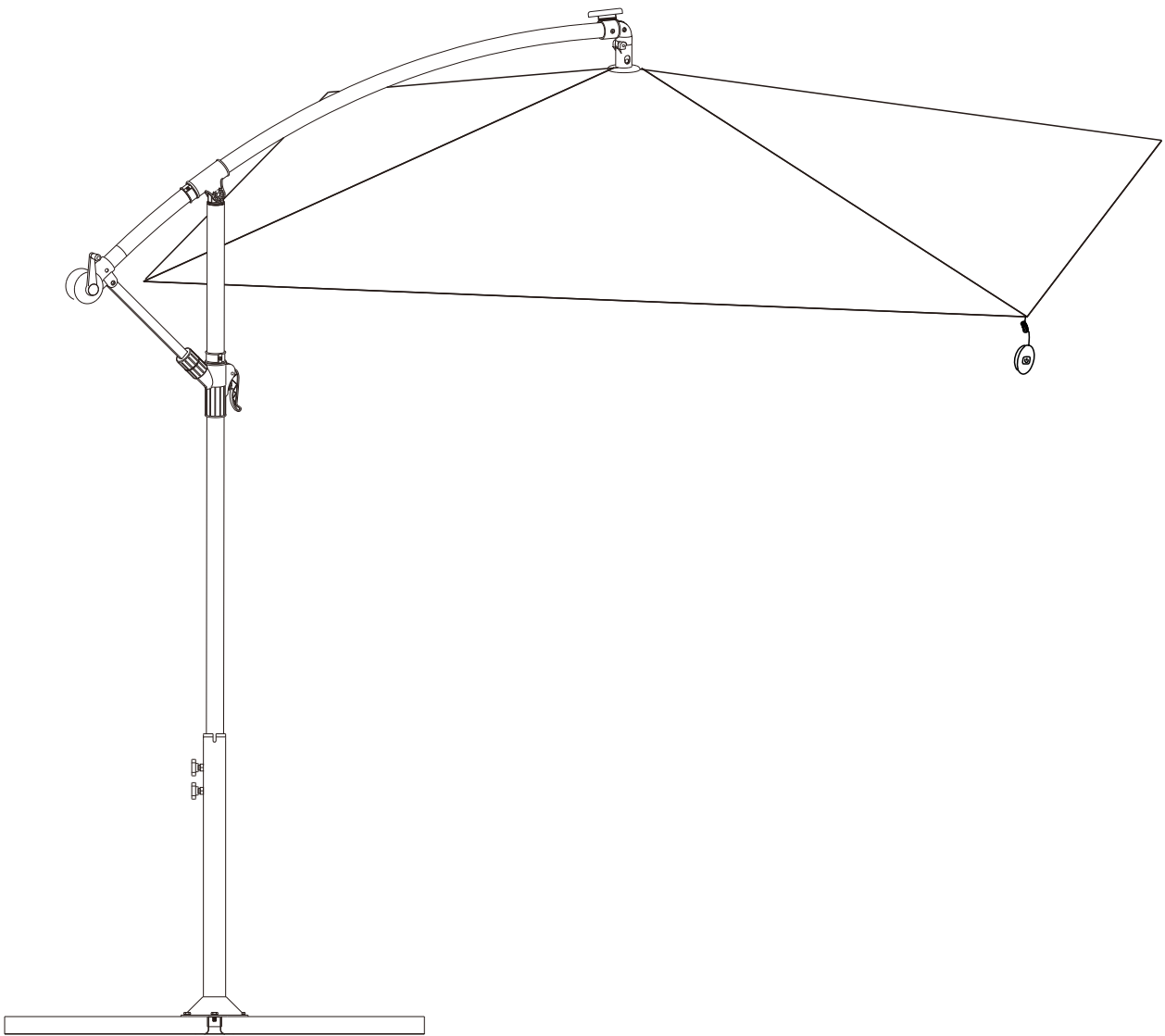

8.3x8.3FT Solar LED Offset Hanging Umbrella With Base



If need any other assistance, Please feel free to contact us. we are always here at your service:)

User Manual

General Guidelines

- Please read the following instructions carefully and use the product accordingly.
- Please keep this manual and hand it over when you transfer the product.
- This summary may not include every detail of all variations and considered steps. Please contact us when further information and help are needed.

Notes

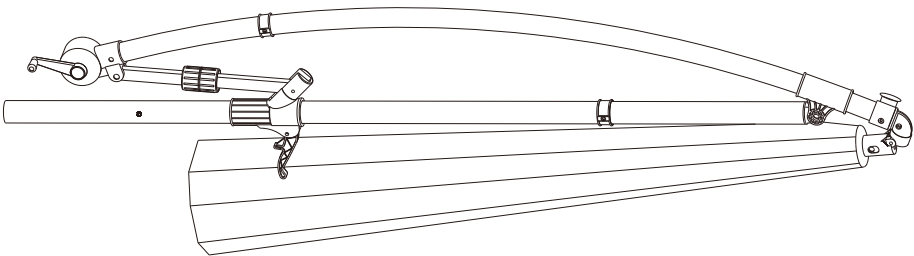

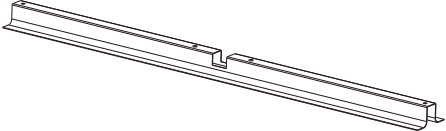
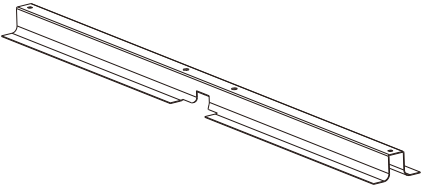
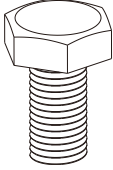
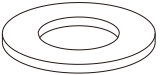
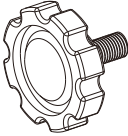
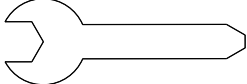
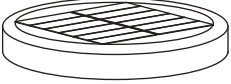
- Personal injury and/or damage to the product may occur if products are used outside of their intended purposes and/or if products have been changed/modified from their original design. The product must be assembled and used in accordance with the provisions of the manual. The seller does not assume any responsibility or liability with respect to any damage caused by incorrect assembly or improper use.
- Carefully check accessories when opening the package. If anything is missing or damaged, please contact us immediately.
- Do not use the parasol without an umbrella stand.
- This parasol is only used for shading and decoration purposes.
- Store the parasol in a dry, sheltered place, such as a garage or basement during high winds, rainy days, and the off-season.
- Never force your parasol open. Umbrella mechanics should open gently and easily.
- Do not use sharp tools or equipment such as a knife or scissors when removing the protective material, as it may damage the product.
- After receiving the product, connect the LED light plug to the solar panel before using it.
- Put the solar parasol in direct sunlight to charge the batteries for 8 hours before the first use.

Warnings

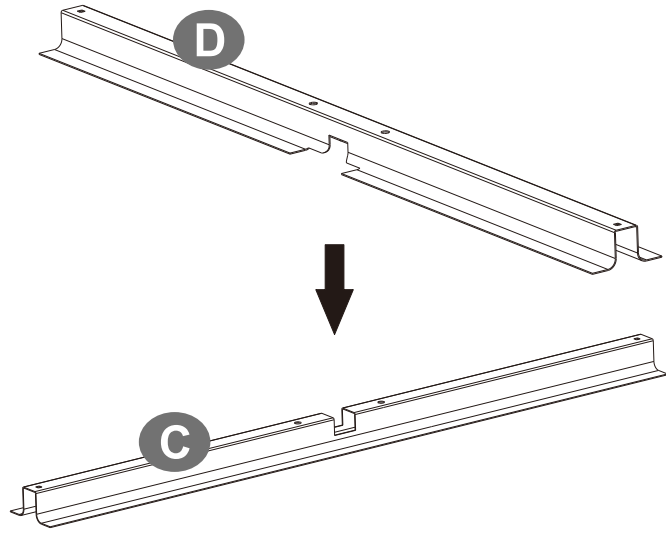
- Keep children away when assembling the product. Small parts are included in the package; they may be fatal if swallowed or inhaled.
- To avoid the potential dangers of suffocation, please keep all parts and packaging (film, plastic bags, foam, etc.) away from babies and children.
- Keep the parasol away from fire; do not use it during extreme cold and heat, and severe weather like rainy, windy, snowy days, and hailstorms, etc.
- When the battery needs to be replaced, please use a battery of the same specifications and capacity.
- Do not throw the battery into fire or heat.
- The battery should be recycled or treated according to state or local requirements.

Daily Maintenance

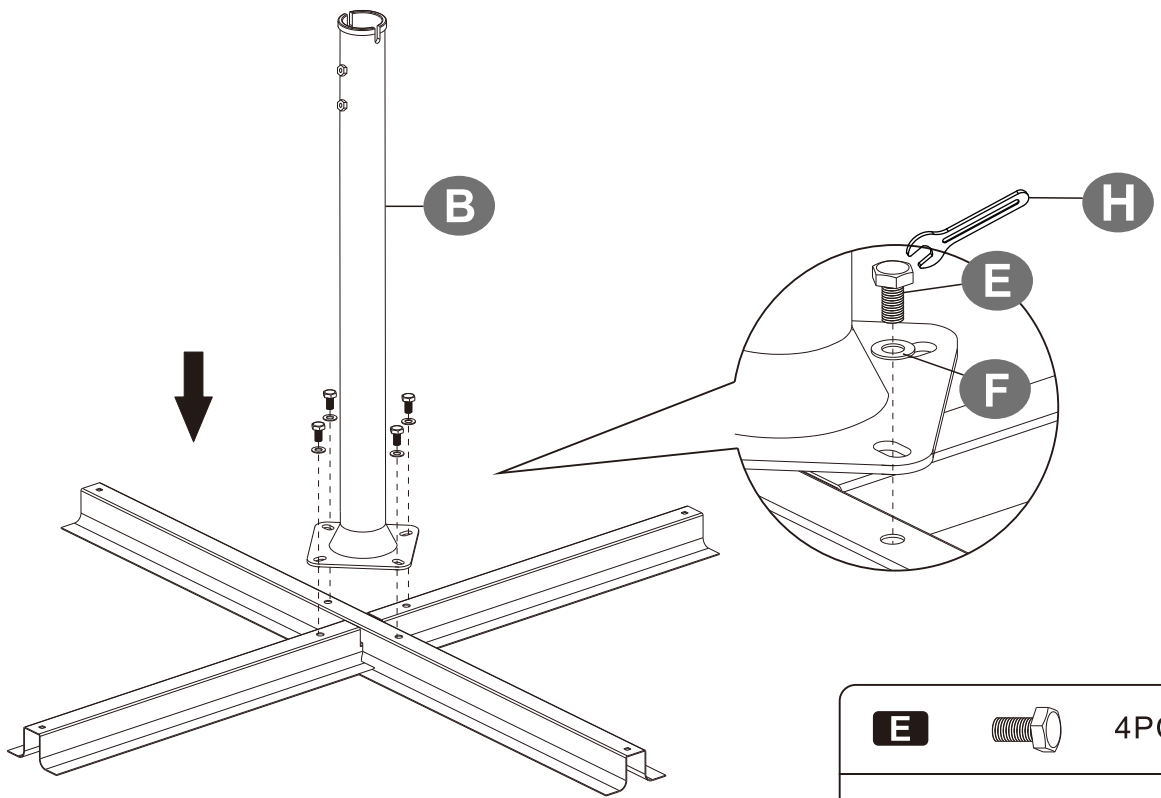
- Clean the canopy with a soft cloth moistened with a neutral detergent. Store it after completely drying, which will help reduce the growth of mold.
- Do not machine wash, do not dry.
- Do not iron.

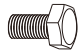

<p>A × 1</p> 			
<p>B × 1</p> 	<p>C × 1</p> 		
<p>D × 1</p> 	<p>× 4</p> 		
<p>F × 4</p> 	<p>G × 2</p> 	<p>H × 1</p> 	<p>I × 1</p> 

1

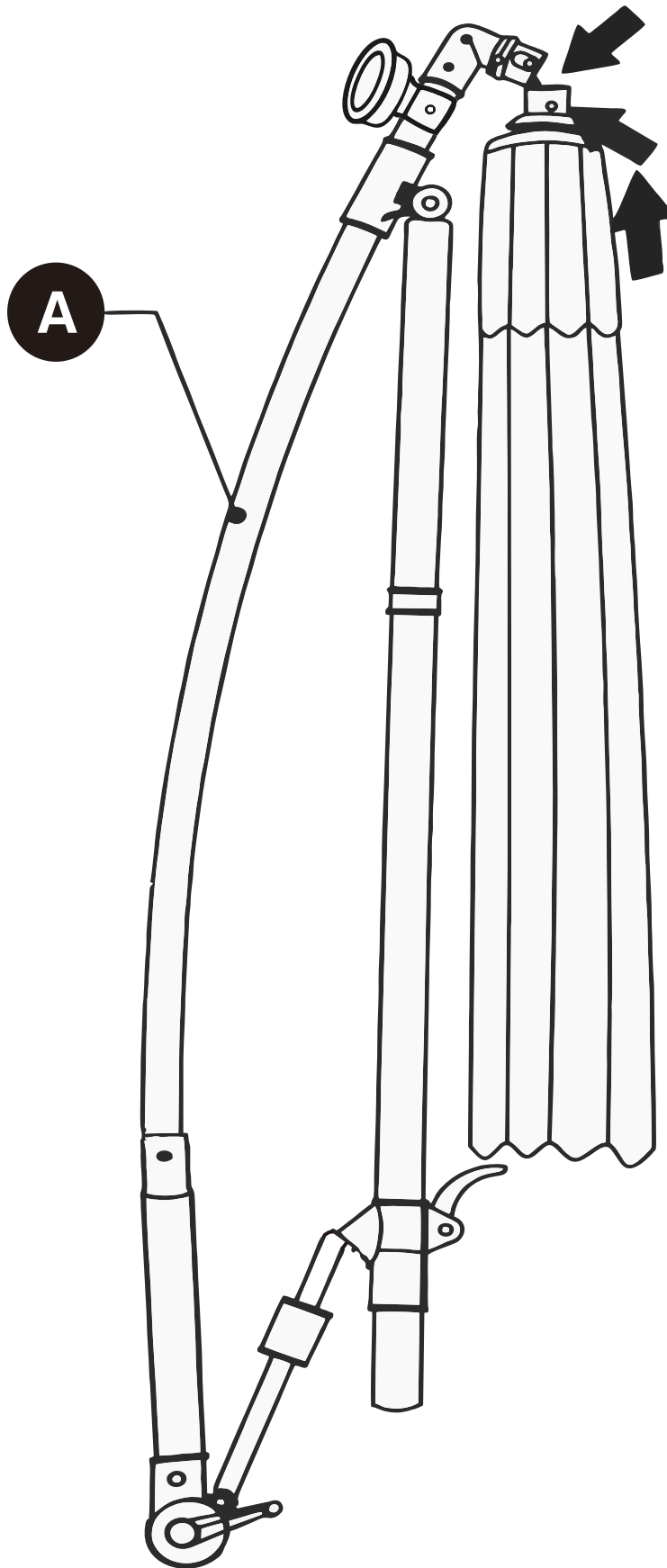


2



E		4PCS
F		4PCS

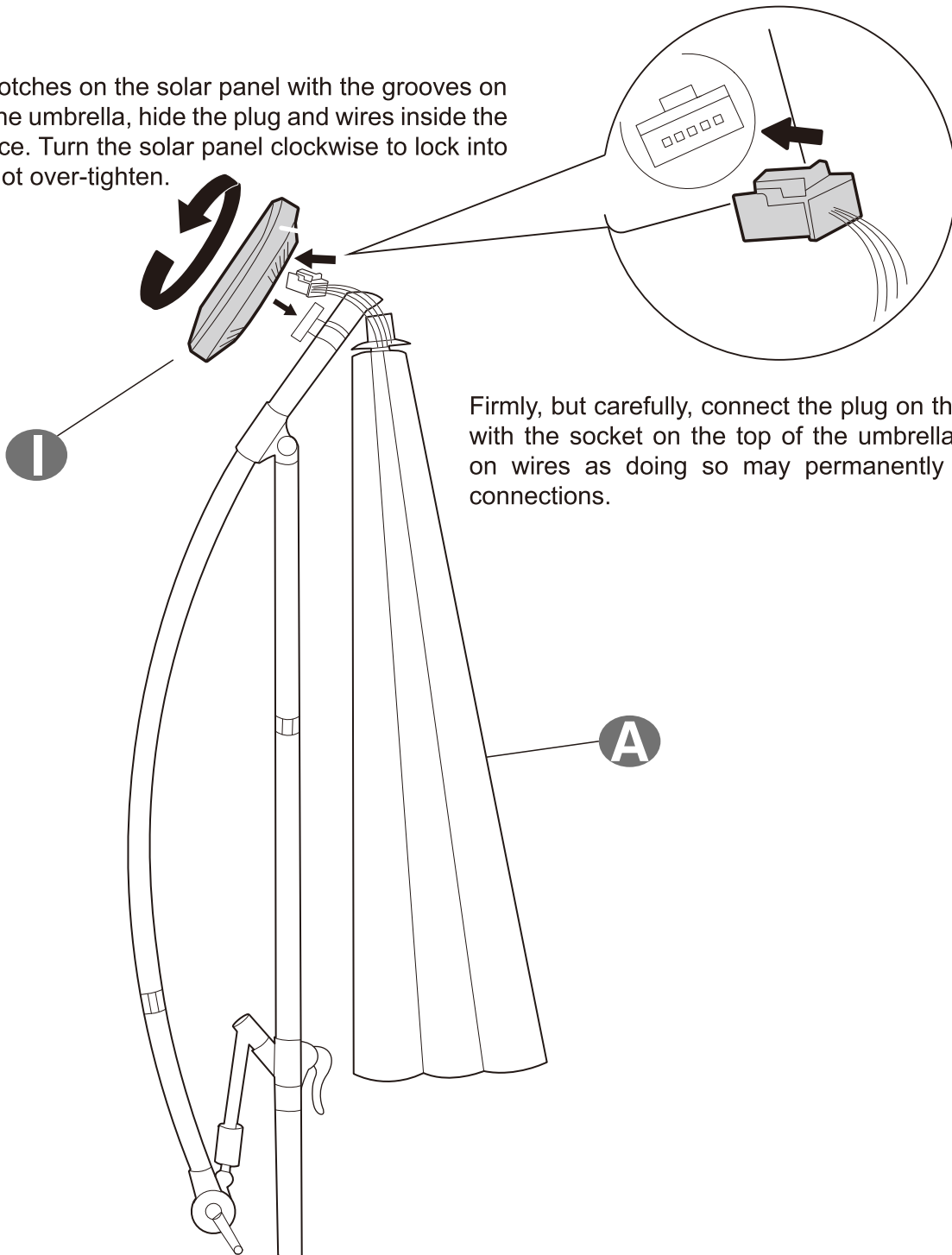
3



Connect the spring buckle on the top of the umbrella before use

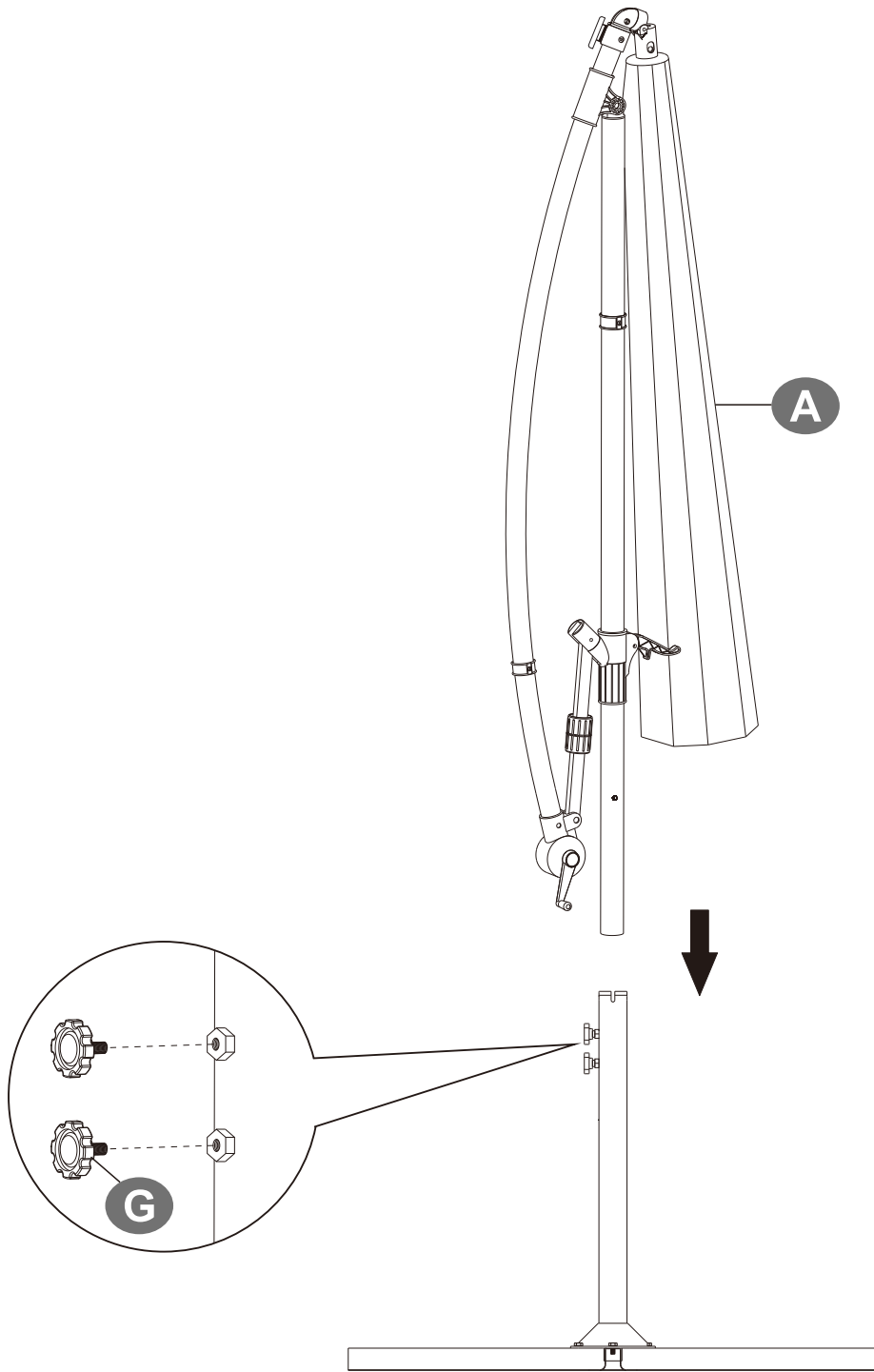
4

Align the notches on the solar panel with the grooves on the top of the umbrella, hide the plug and wires inside the hollow space. Turn the solar panel clockwise to lock into place; do not over-tighten.



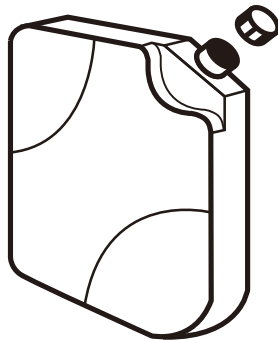
Firmly, but carefully, connect the plug on the solar panel with the socket on the top of the umbrella. Do not pull on wires as doing so may permanently damage the connections.

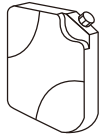
5



6

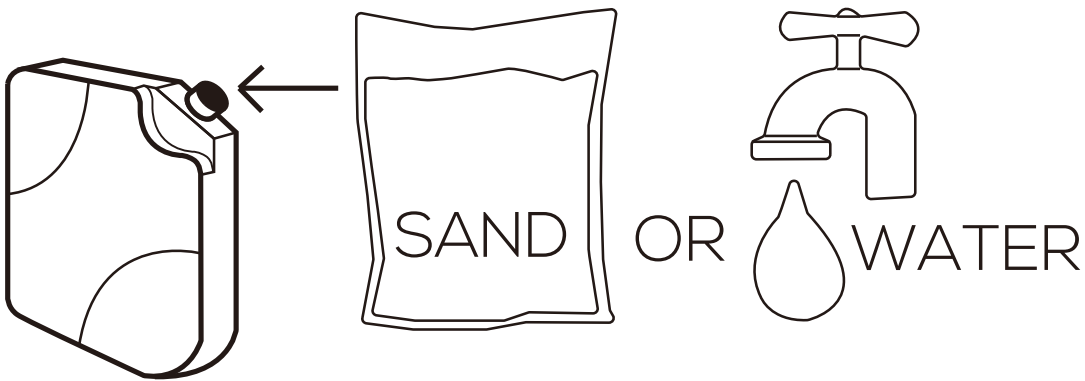
STEP 1



Sketch	Quantity
	4PCS

Twist the cap off.

STEP 2



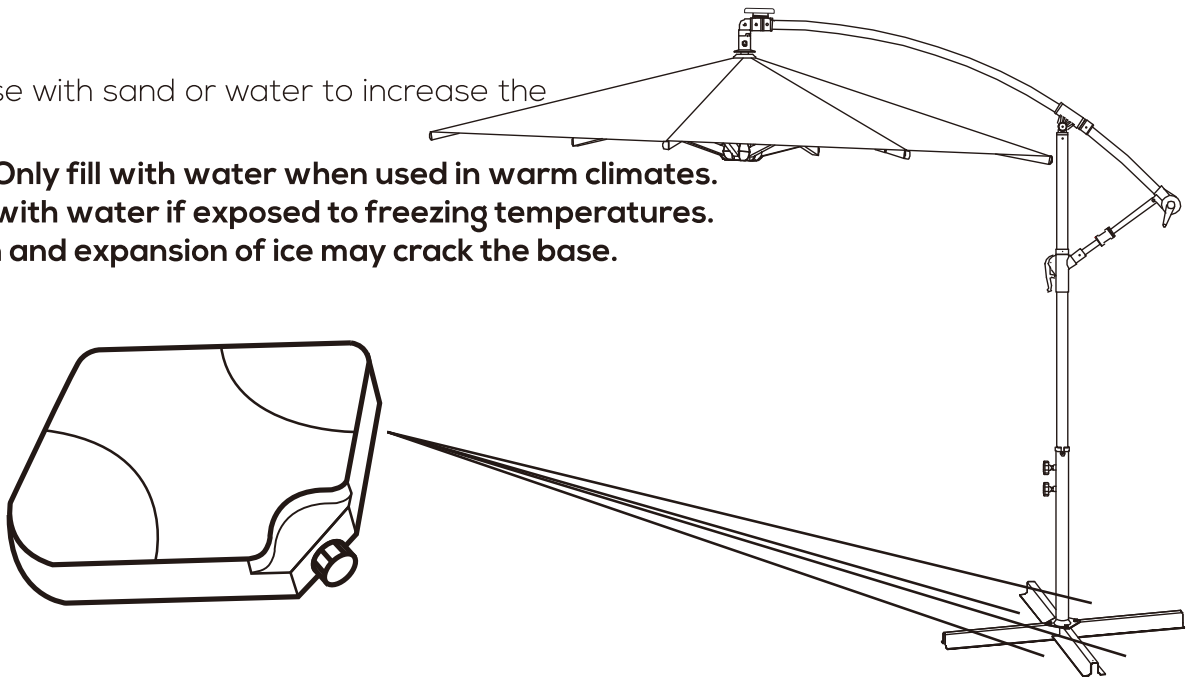
Fill the base with sand or water to increase the weight.

Warning: Only fill with water when used in warm climates.

Do not fill with water if exposed to freezing temperatures.

Formation and expansion of ice may crack the base.

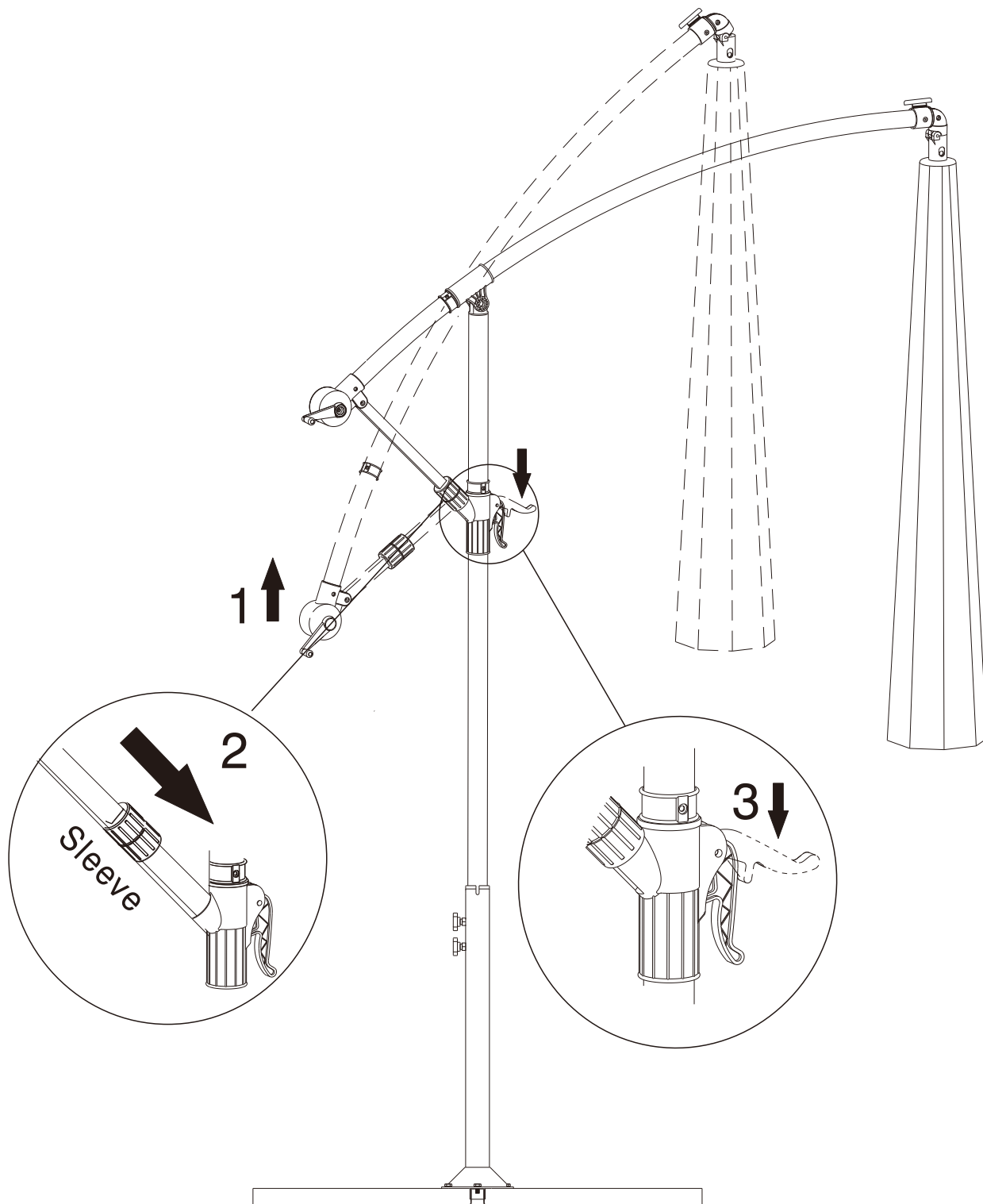
STEP 3



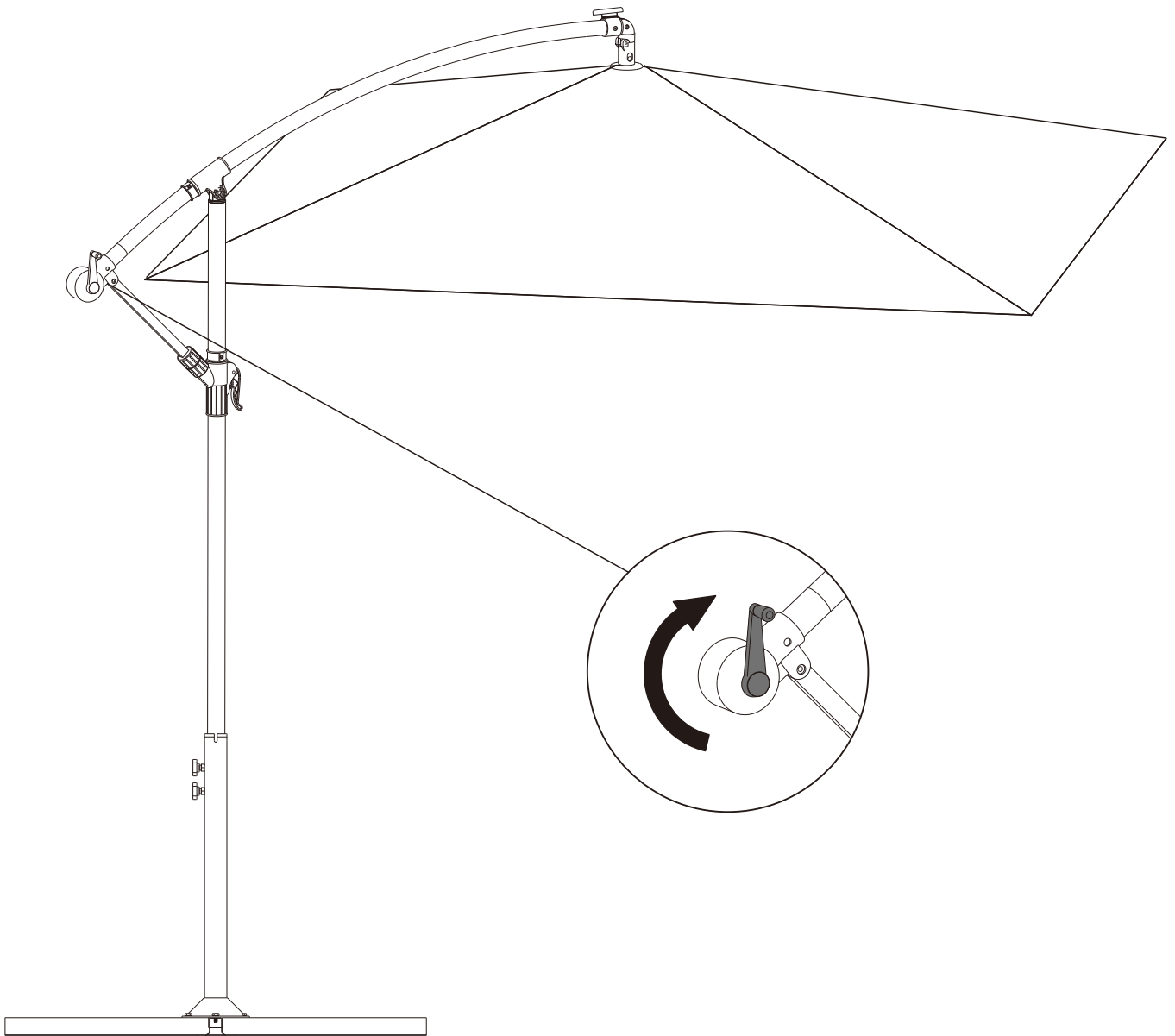
Place the water or sand filled base snug into a corner of the umbrella stand as shown in the diagram.
Note: It is recommended to use 4 plastic bases to properly weigh the umbrella base to the ground.

7

How to open



8



9

How to close

