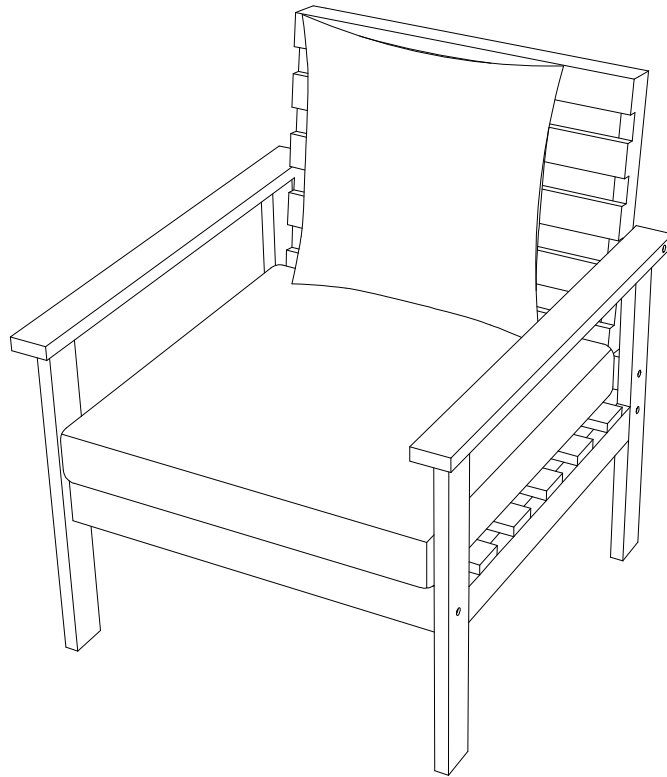


4PC Sofa Set-Chair



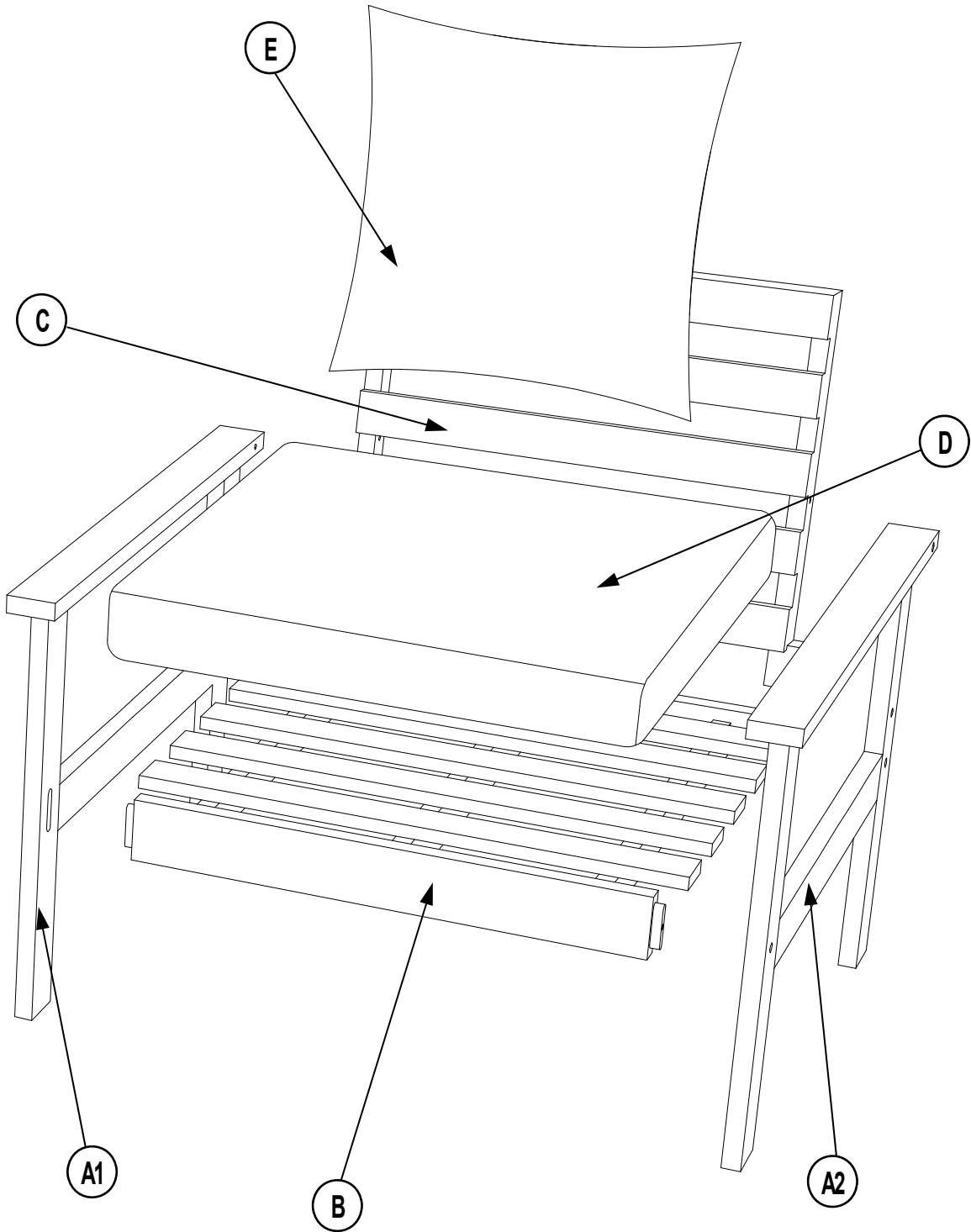
WE HAVE YOU IN MIND, LET US SERVE YOU!

Questions? Issues?

CONTACT US







Country of Origin: Vietnam

Exploded Drawing







Country of Origin: Vietnam

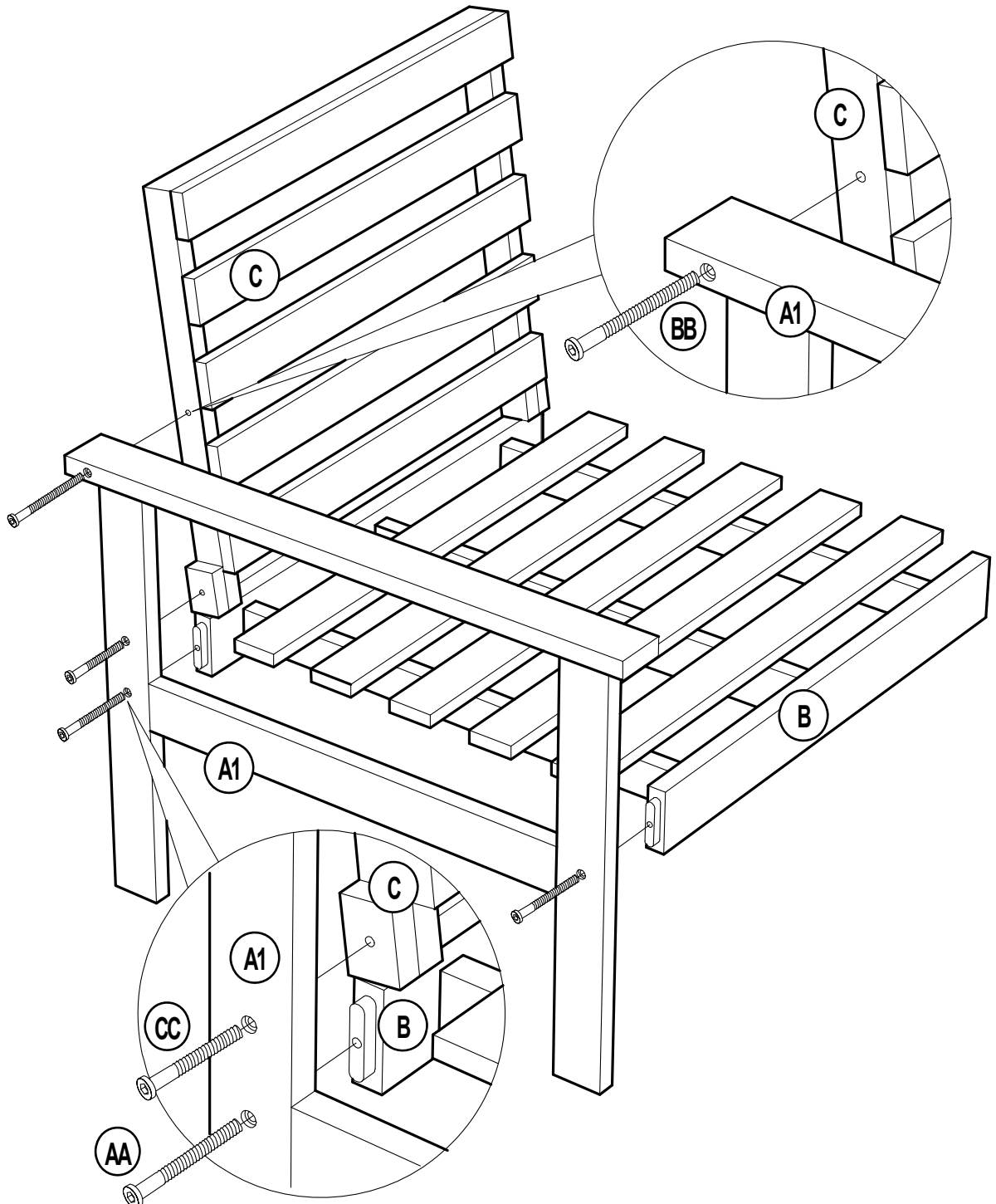
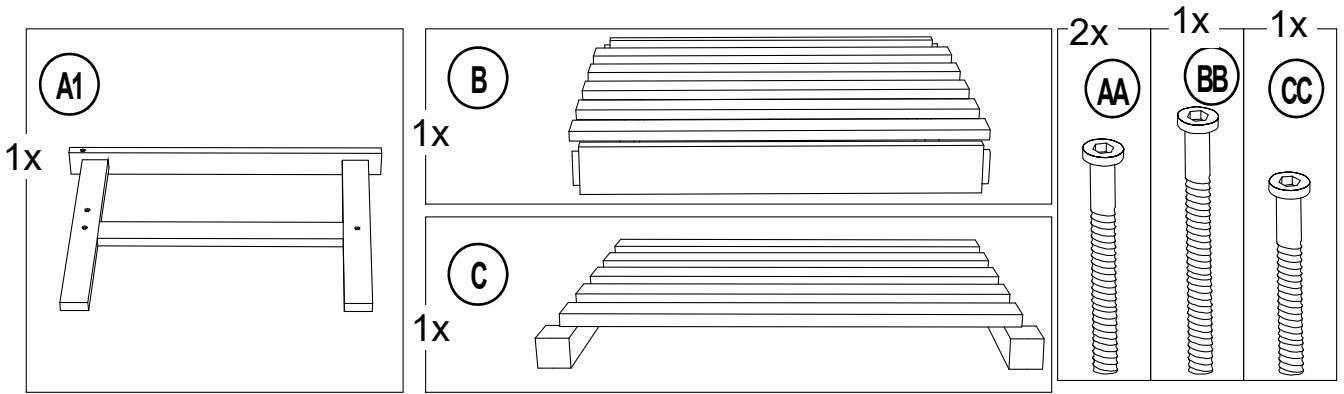
Parts List

Label	Description	Qty	Part Image
A1	Left Handrail	1	
A2	Right Handrail	1	
B	Seat	1	
C	Back	1	
D	Cushion	1	
E	Back Cushion	1	

Hardware Pack

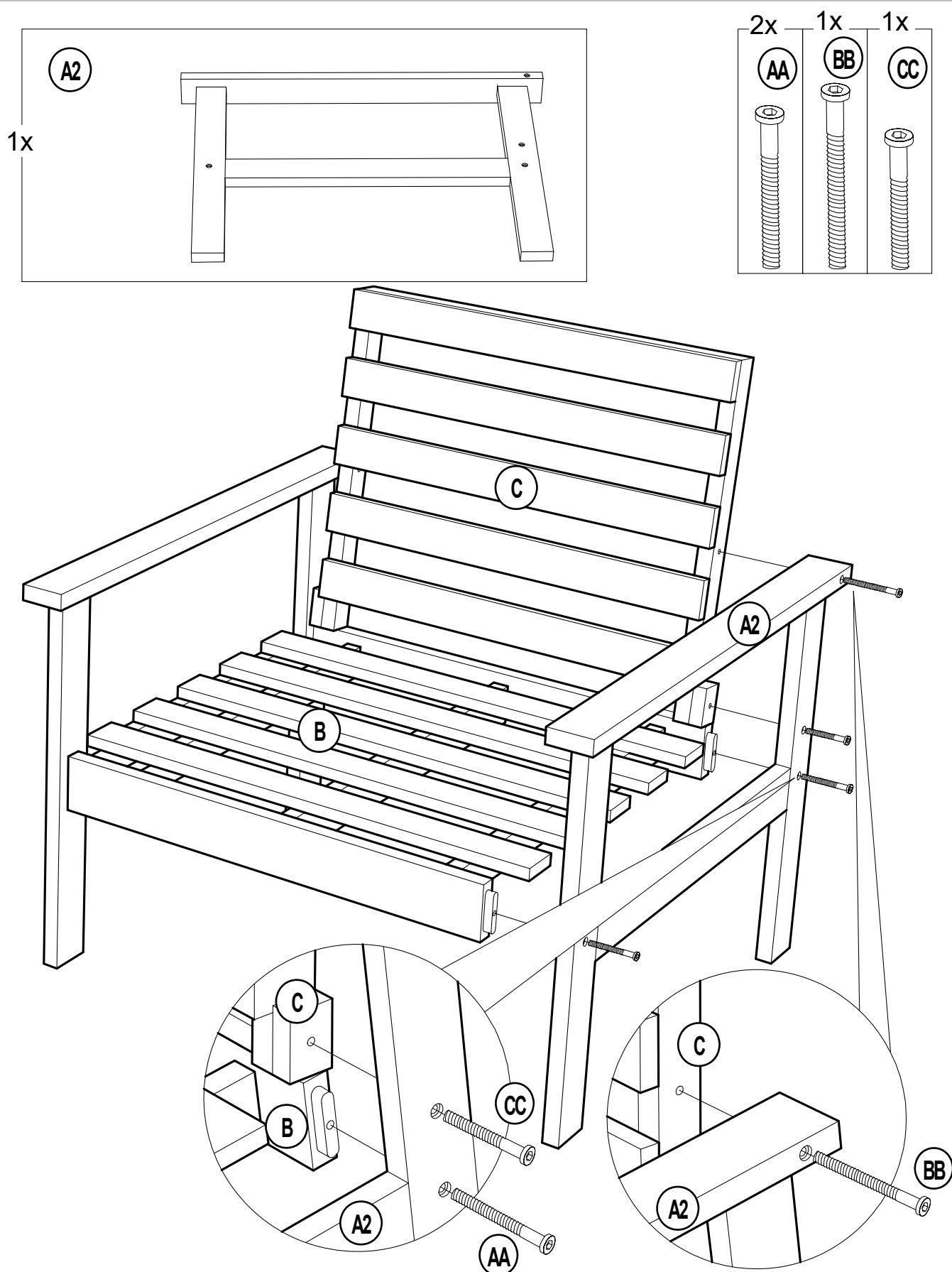
Label	Part Number	Description	Qty	Part Image
AA	H06060C12	Bolt M6*60	4	
BB	H06070C12	Bolt M6*70	2	
CC	H06050C12	Bolt M6*50	2	
DD	H00002C12	Allen Key Size 4	1	

Step 1



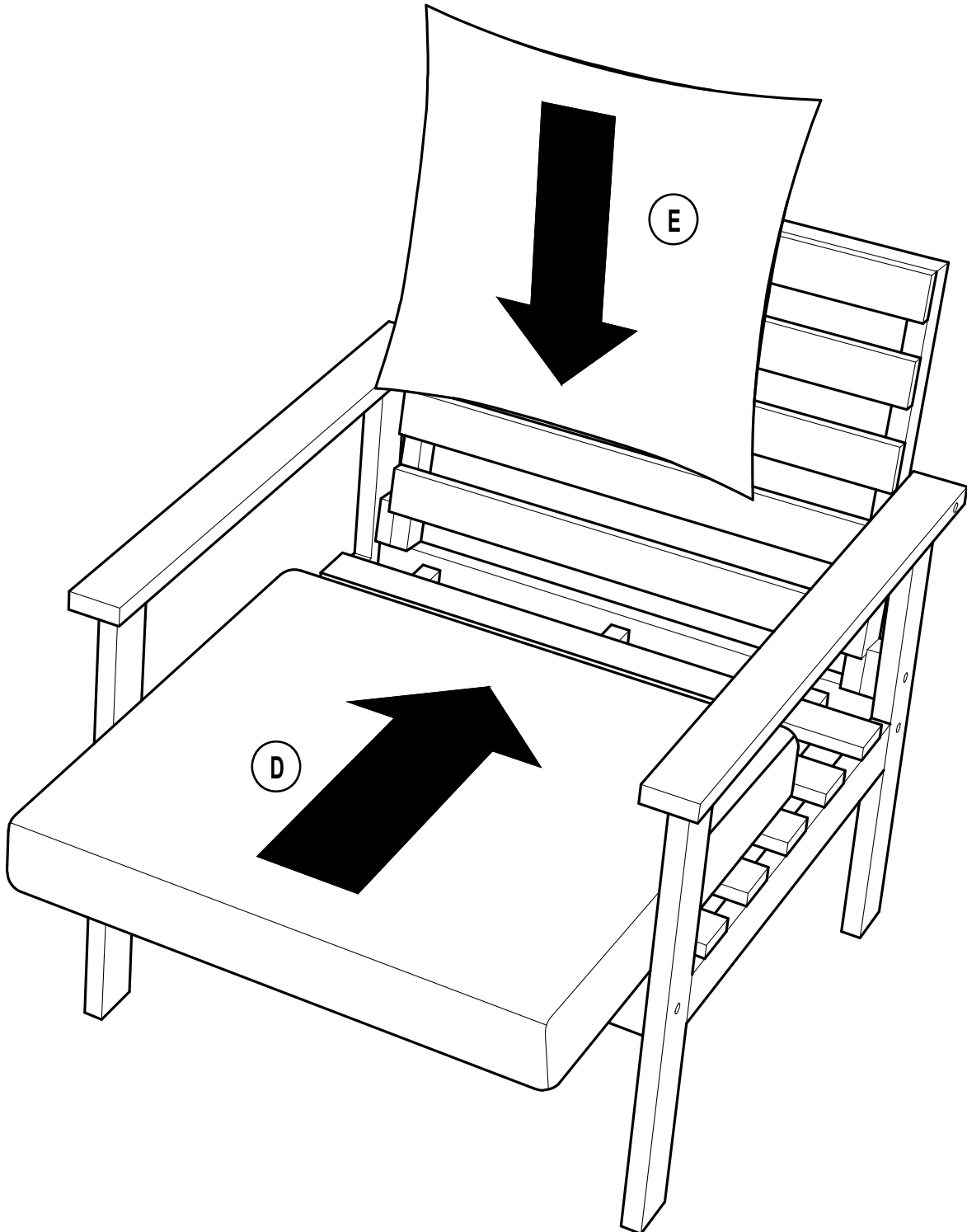
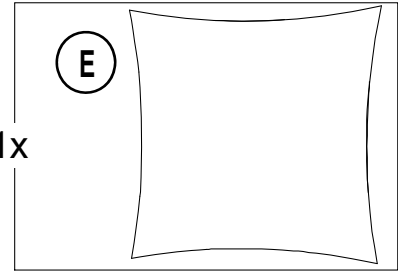
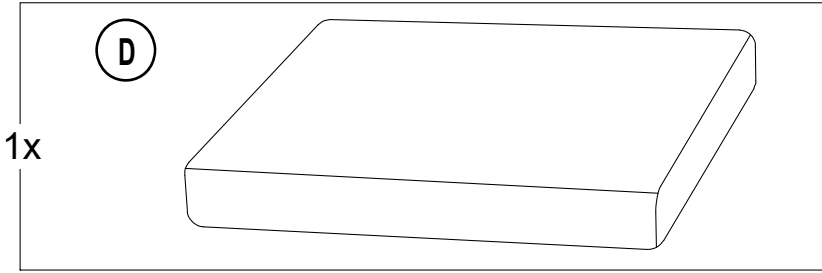
Country of Origin: Vietnam

Step 2



Country of Origin: Vietnam

Step 3



CARE AND MAINTENANCE

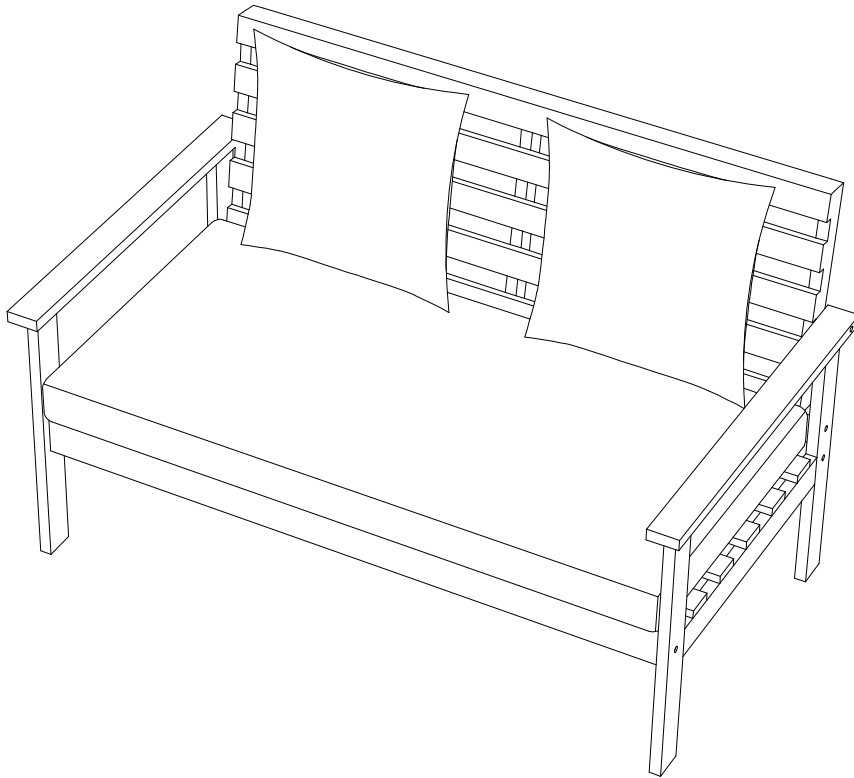
- Before using, clean the product completely with a soft, dry towel. When not in use, wipe free of any dirt or loose objects, wash with a mild solution of soap and water; rinse thoroughly and dry completely.
- Do not use strong detergent or abrasive cleaners.
- Moisture and heat can damage any wood finish. Protect your furniture by using coasters and trivets. Always wipe up moisture promptly and dry with a soft cloth.
- Avoid dragging sharp or rough objects across the surface of your wood furniture. Use adhesive felt pads, trivets, coasters and placemats to help prevent scratches.
- Avoid direct contact with rubber bumpers and candle wax as it may react with the wood's finish and leave a stain.
- Wood will expand and contract with seasonal humidity changes. Maintain consistent humidity levels to minimize movement in the wood and prevent warping.
- Over time, air and sunlight will change the color of natural wood. Occasionally rotate the items placed on your wood furniture to allow a more uniform color to develop. Expose table to the same amount of air and sunlight as your table.
- Care for your wood furniture according to its finish.
- Clean with damp cloth whenever necessary.
- Periodically check and ensure that all bolts are well tighten during use.
- We recommend vacuuming the loose cushions & upholstery regularly to keep your sofa clean from dust & dirt.
- Flip, rotate and fluff removable cushions regularly.
- Extra care to avoid placing your sofa in direct sunlight to avoid fading of the fabric color.
- Treat stains immediately, blot up as much of the spill as possible with a clean, dry, white cloth. Do not rub stains into the fabric.
- Apply a small amount of cleaner to the stain area and gently rub it with your fingertips and lightly clean with a clean damp fabric. Continue to apply cleaner sparingly and blot until the stain no longer transfers onto the cloth. This may take several attempts. When you've removed as much of the stain as possible, blot any remaining cleaner from the fabric.
- If your spot cleaner recommends a water rinse, apply a small amount of clean warm water to the stained area and blot to remove.
- Use a hair dryer on the lowest heat setting to evenly dry the fabric and prevent moisture rings.
- An annual professional cleaning will keep your upholstered furniture looking its best.
- Covers are the ultimate in keeping a clean sofa. Brush or vacuum your covers at least once a month.
- Machine-washable covers can generally be washed in cold water and mild detergent. Remember to close all zippers before washing.

ONE-YEAR LIMITED WARRANTY

This limited warranty is extended to the original purchaser and applies to defects in material, and workmanship of your item provided. The item is maintained with care and used only for personal, residential purposes. The manufacturer warrants that this item is free from defects in material and workmanship for a period of one year. If any defect is found, please call us. The manufacturer will not cover transportation or delivery costs or compensate the individual or any outside party for assembling or disassembling the product.

Country of Origin: Vietnam

4PC Sofa Set- Loveseat



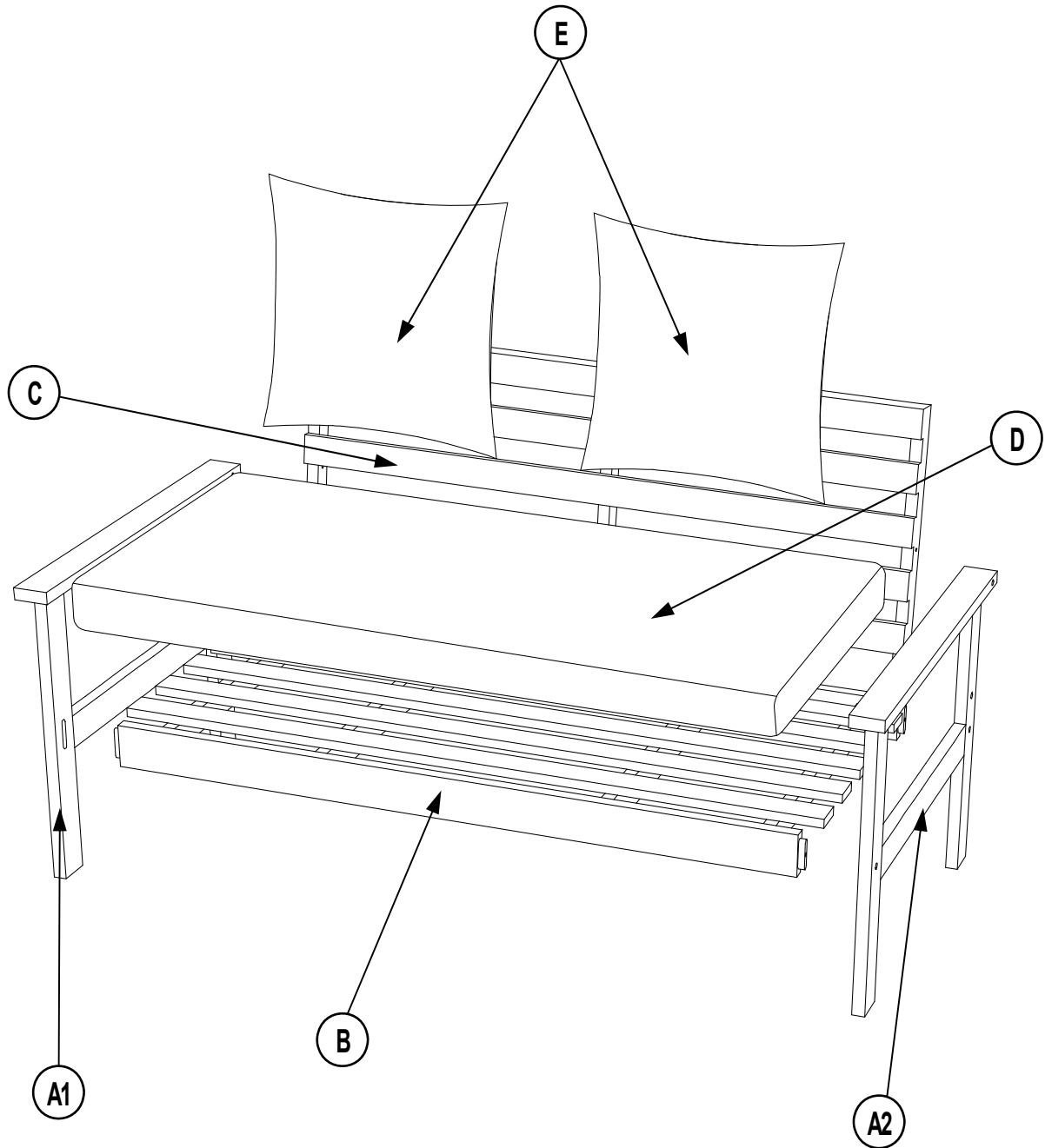
WE HAVE YOU IN MIND, LET US SERVE YOU!

Questions? Issues?

CONTACT US


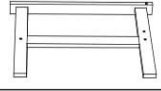
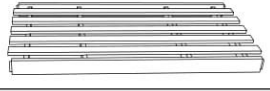



Country of Origin: Vietnam

Exploded Drawing







Country of Origin: Vietnam

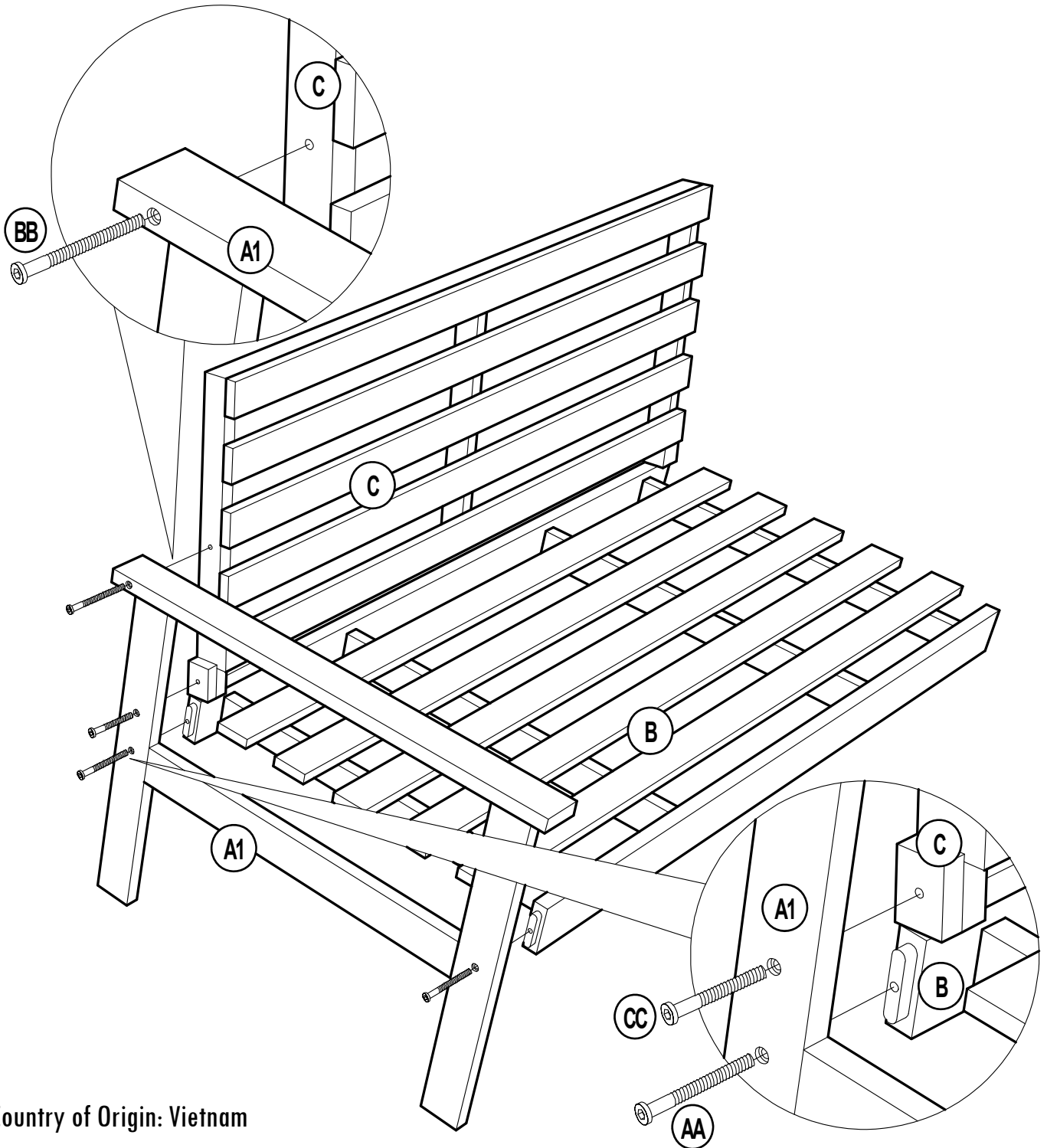
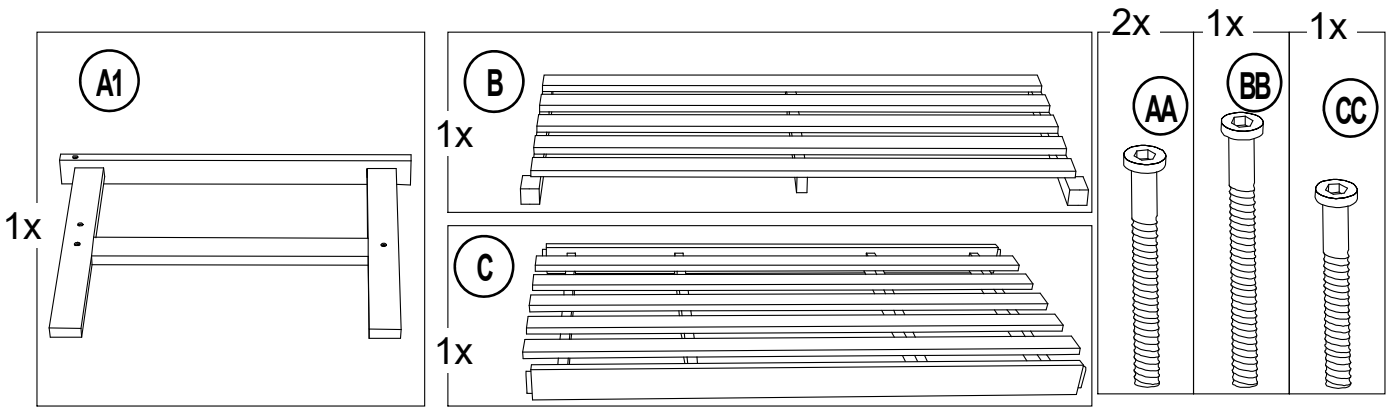
Parts List

Label	Description	Qty	Part Image
A1	Left Handrail	1	
A2	Right Handrail	1	
B	Seat	1	
C	Back	1	
D	Cushion	1	
E	Back Cushion	2	

Hardware Pack

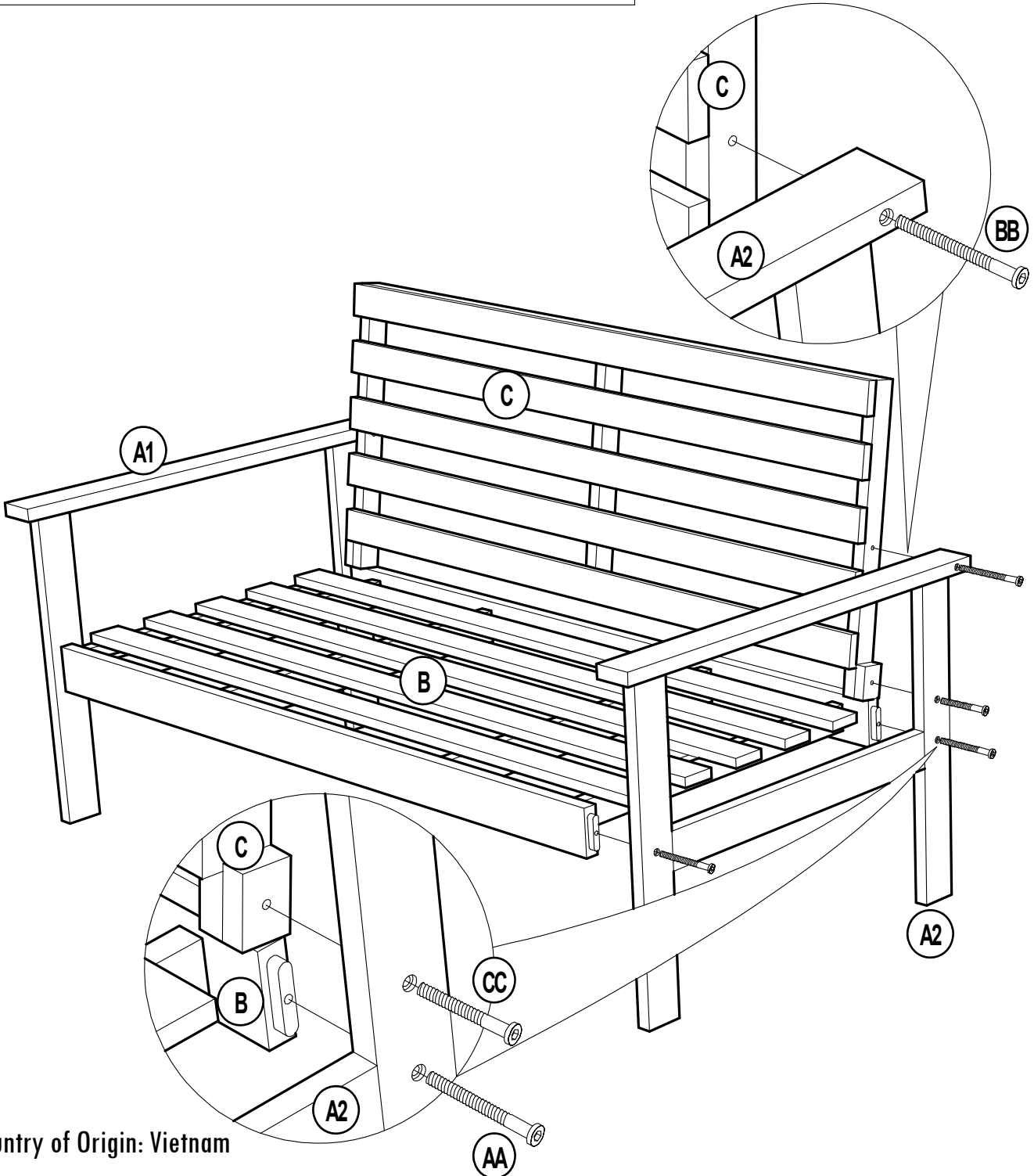
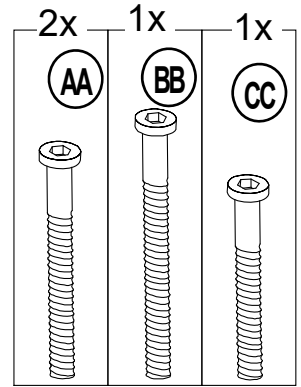
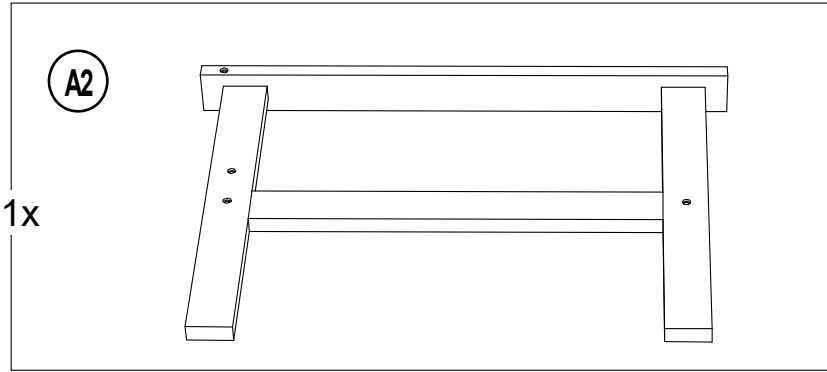
Label	Part Number	Description	Qty	Part Image
AA	H06060C12	Bolt M6*60	4	
BB	H06070C12	Bolt M6*70	2	
CC	H06050C12	Bolt M6*50	2	
DD	H00002C12	Allen Key Size 4	1	

Step 1



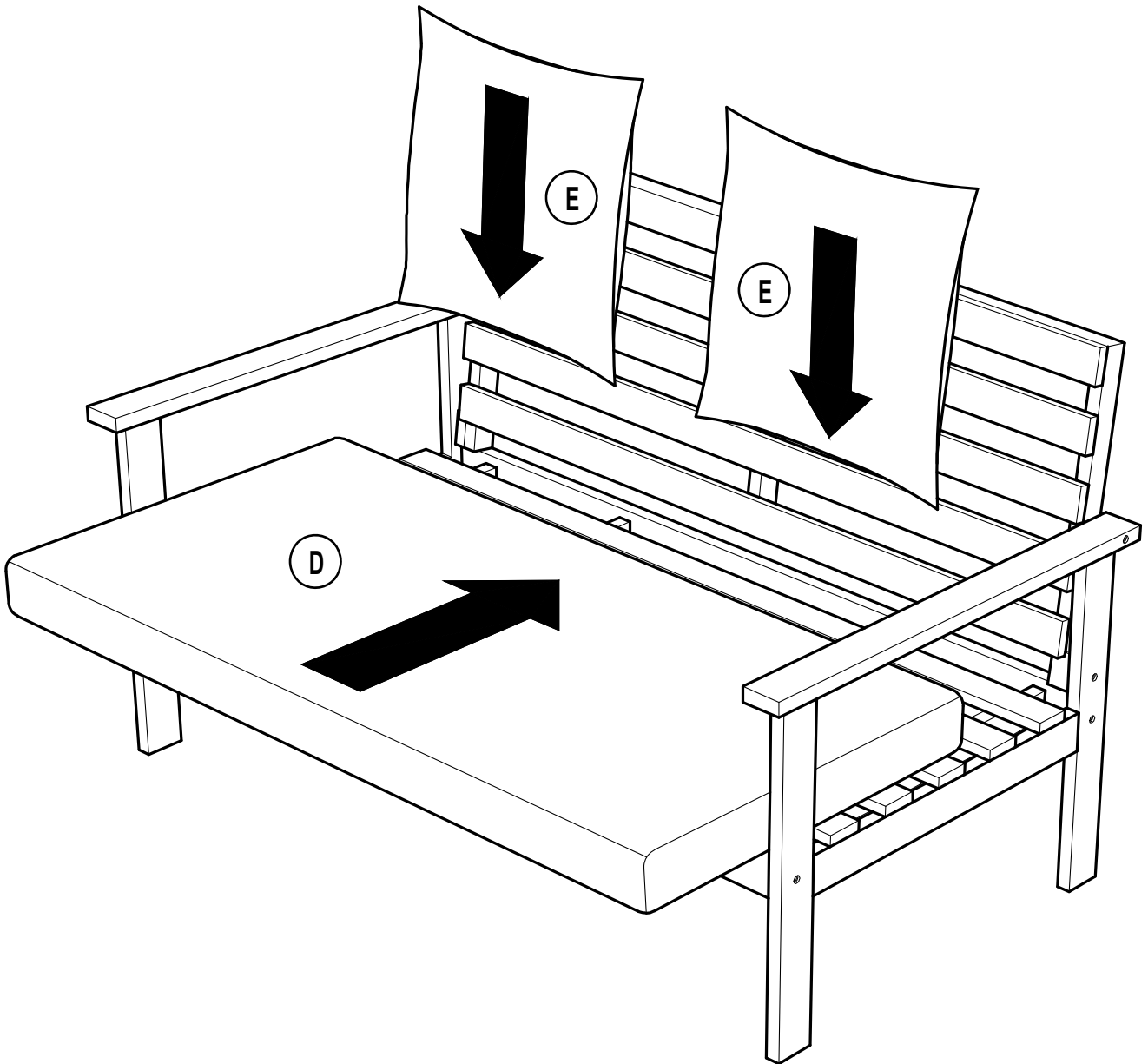
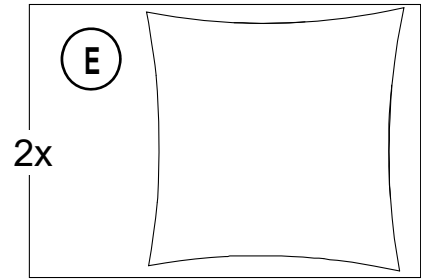
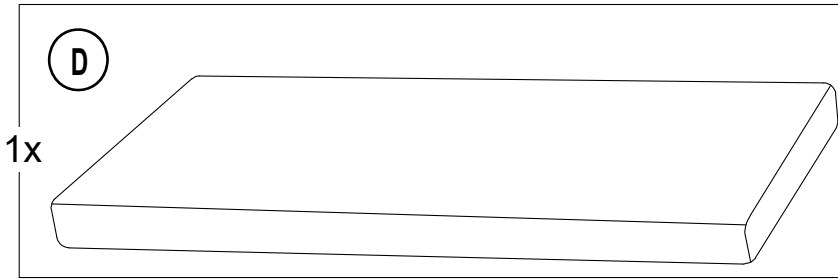
Country of Origin: Vietnam

Step 2



Country of Origin: Vietnam

Step 3



CARE AND MAINTENANCE

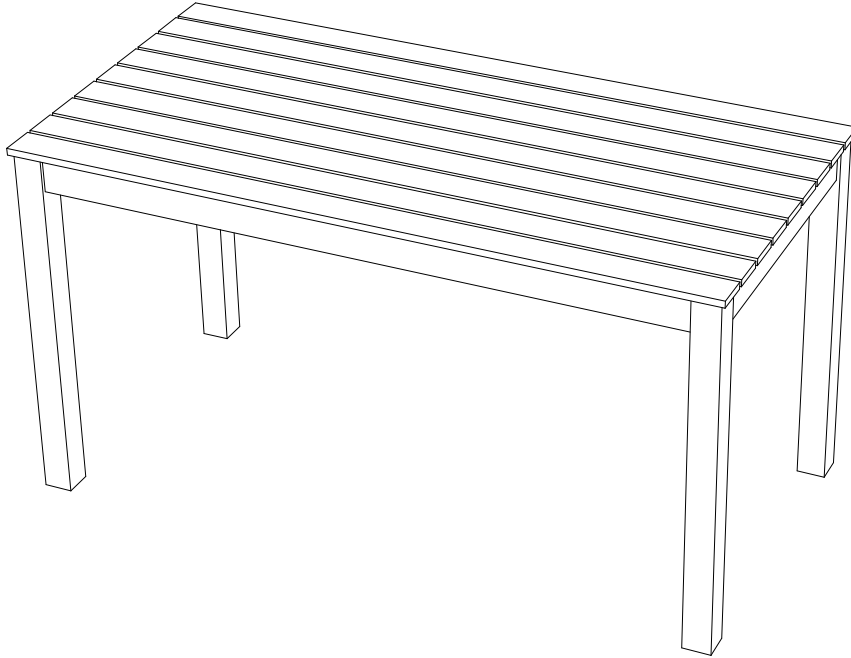
- Before using, clean the product completely with a soft, dry towel. When not in use, wipe free of any dirt or loose objects, wash with a mild solution of soap and water; rinse thoroughly and dry completely.
- Do not use strong detergent or abrasive cleaners.
- Moisture and heat can damage any wood finish. Protect your furniture by using coasters and trivets. Always wipe up moisture promptly and dry with a soft cloth.
- Avoid dragging sharp or rough objects across the surface of your wood furniture. Use adhesive felt pads, trivets, coasters and placemats to help prevent scratches.
- Avoid direct contact with rubber bumpers and candle wax as it may react with the wood's finish and leave a stain.
- Wood will expand and contract with seasonal humidity changes. Maintain consistent humidity levels to minimize movement in the wood and prevent warping.
- Over time, air and sunlight will change the color of natural wood. Occasionally rotate the items placed on your wood furniture to allow a more uniform color to develop. Expose table to the same amount of air and sunlight as your table.
- Care for your wood furniture according to its finish.
- Clean with damp cloth whenever necessary.
- Periodically check and ensure that all bolts are well tighten during use.
- We recommend vacuuming the loose cushions & upholstery regularly to keep your sofa clean from dust & dirt.
- Flip, rotate and fluff removable cushions regularly.
- Extra care to avoid placing your sofa in direct sunlight to avoid fading of the fabric color.
- Treat stains immediately, blot up as much of the spill as possible with a clean, dry, white cloth. Do not rub stains into the fabric.
- Apply a small amount of cleaner to the stain area and gently rub it with your fingertips and lightly clean with a clean damp fabric. Continue to apply cleaner sparingly and blot until the stain no longer transfers onto the cloth. This may take several attempts. When you've removed as much of the stain as possible, blot any remaining cleaner from the fabric.
- If your spot cleaner recommends a water rinse, apply a small amount of clean warm water to the stained area and blot to remove.
- Use a hair dryer on the lowest heat setting to evenly dry the fabric and prevent moisture rings.
- An annual professional cleaning will keep your upholstered furniture looking its best.
- Covers are the ultimate in keeping a clean sofa. Brush or vacuum your covers at least once a month.
- Machine-washable covers can generally be washed in cold water and mild detergent. Remember to close all zippers before washing.

ONE-YEAR LIMITED WARRANTY

This limited warranty is extended to the original purchaser and applies to defects in material, and workmanship of your item provided. The item is maintained with care and used only for personal, residential purposes. The manufacturer warrants that this item is free from defects in material and workmanship for a period of one year. If any defect is found, please call us. The manufacturer will not cover transportation or delivery costs or compensate the individual or any outside party for assembling or disassembling the product.

Country of Origin: Vietnam

4PC Sofa Set-Table

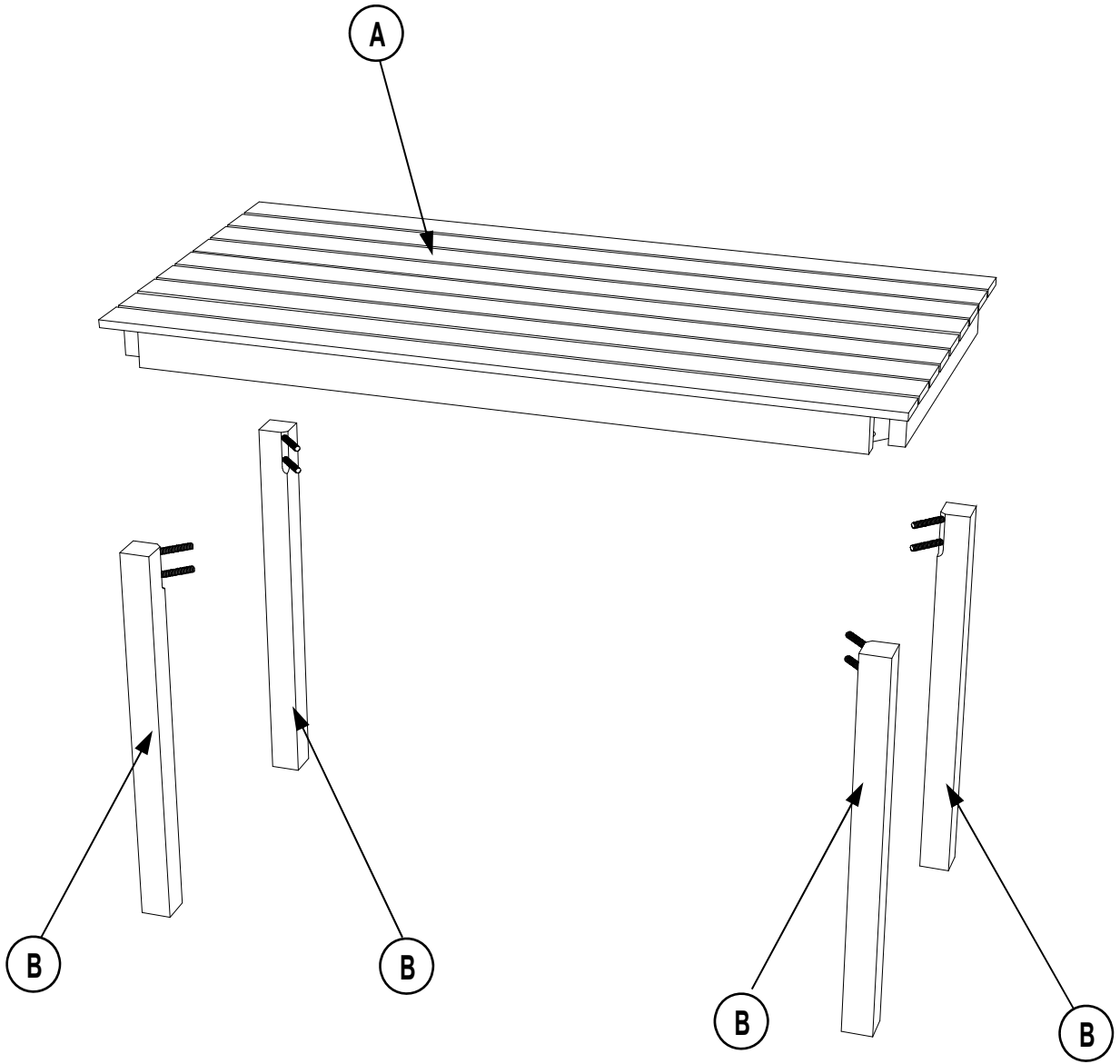


WE HAVE YOU IN MIND, LET US SERVE YOU!

Questions? Issues?


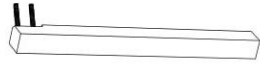
CONTACT US

Exploded Drawing



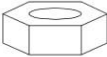
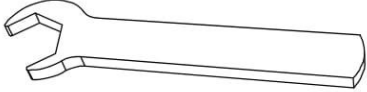


Country of Origin: Vietnam

Parts List

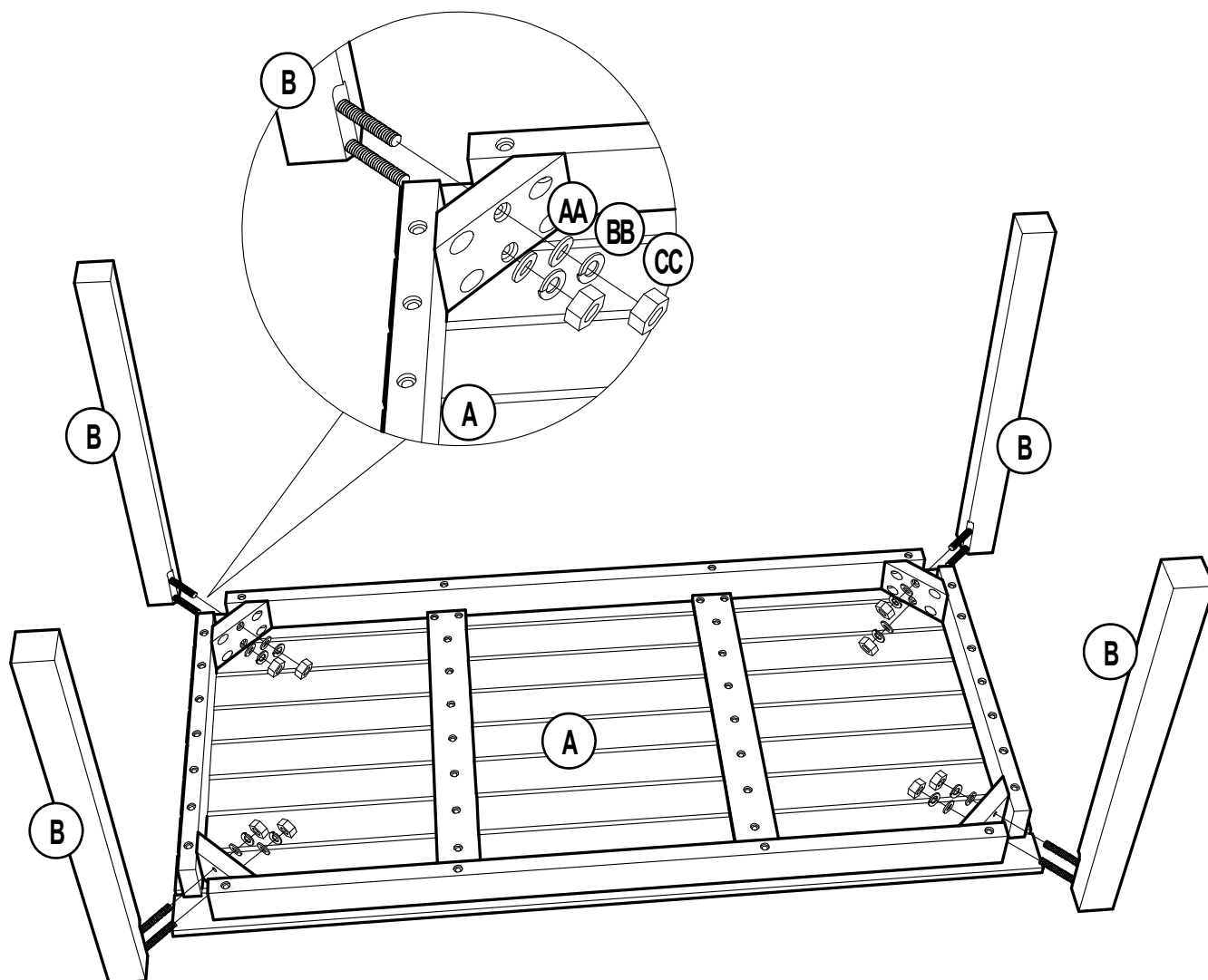
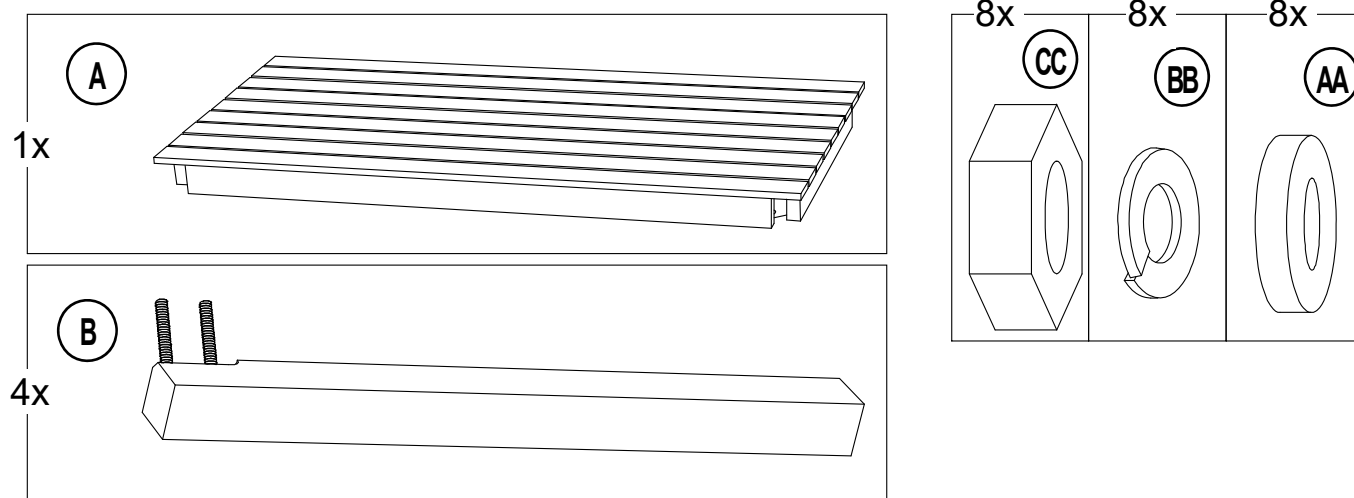
Label	Description	Qty	Part Image
A	Top Table	1	
B	Leg	4	

Hardware Pack

Label	Part Number	Description	Qty	Part Image
AA	H12001C12	Flat Washer M6 (Pre-Assembled on B)	8	
BB	H13001C12	Spring Washer M6 (Pre-Assembled on B)	8	
CC	H14001C12	Nut M6 (Pre-Assembled on B)	8	
DD	H00001C12	Wrench M6	1	

Country of Origin: Vietnam

Step 1



CARE AND MAINTENANCE

- Before using, clean the product completely with a soft, dry towel. When not in use, wipe free of any dirt or loose objects, wash with a mild solution of soap and water; rinse thoroughly and dry completely.
- Do not use strong detergent or abrasive cleaners.
- Moisture and heat can damage any wood finish. Protect your furniture by using coasters and trivets. Always wipe up moisture promptly and dry with a soft cloth.
- Avoid dragging sharp or rough objects across the surface of your wood furniture. Use adhesive felt pads, trivets, coasters and placemats to help prevent scratches.
- Avoid direct contact with rubber bumpers and candle wax as it may react with the wood's finish and leave a stain.
- Wood will expand and contract with seasonal humidity changes. Maintain consistent humidity levels to minimize movement in the wood and prevent warping.
- Over time, air and sunlight will change the color of natural wood. Occasionally rotate the items placed on your wood furniture to allow a more uniform color to develop. Expose table to the same amount of air and sunlight as your table.
- Care for your wood furniture according to its finish.
- Clean with damp cloth whenever necessary.
- Periodically check and ensure that all bolts are well tighten during use.

ONE-YEAR LIMITED WARRANTY

This limited warranty is extended to the original purchaser and applies to defects in material, and workmanship of your item provided. The item is maintained with care and used only for personal, residential purposes. The manufacturer warrants that this item is free from defects in material and workmanship for a period of one year. If any defect is found, please call us . The manufacturer will not cover transportation or delivery costs or compensate the individual or any outside party for assembling or disassembling the product.