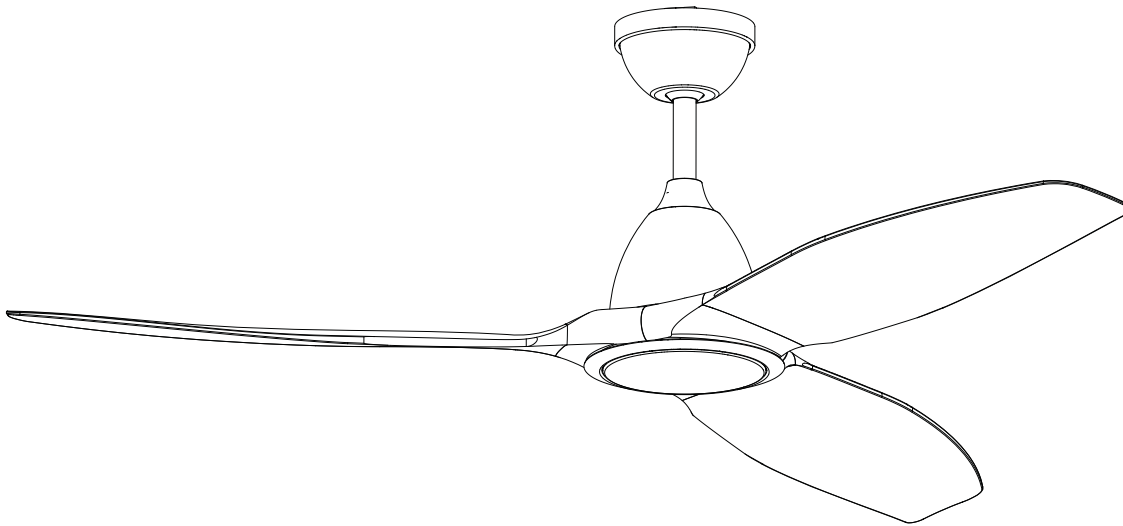


52" SkyPlug Ceiling Fan USER MANUAL

For Models:
VZA01A112 / 2118

120V~ 60Hz,
Suitable for damp locations
MADE IN CHINA



Scan to review
SkyOutlet
installation video.



Scan to review fan
wiring and assembly
installation video.



CUSTOMER SERVICE

1-855-759-7584 | 9am-5pm EST Mon-Fri
www.SKYPLUG.com | support@skyplug.com

20250815V1.0

TECHNICAL INFORMATION

SKU#	VZA01A112	Voltage	110-120 V AC
Fan Blade Span	52"	Rated Wattage	38W(Fan 20W, Lamp 18W)
Weighted-Average Airflow	3899CFM	Rated Wattage	80-180rpm
Maximum Noise	45db(A)	Number of rotating blades	3 blades

Care And Clean

1. Check the support connections, brackets, and airfoil attachments twice a year. Make sure they are secure. Because of the fan's natural movement, some connections may become loose over time. It is not necessary to remove the fan from the ceiling.
2. Clean your fan periodically. Use only a soft brush or lint-free cloth to avoid scratching the finish. The plating is sealed with a lacquer to minimize discoloration or tarnishing.
3. (Optional) Apply a light coat of furniture polish to the wood blades.
4. (Optional) Cover small scratches with a light application of shoe polish.

DO NOT:

1. Use water when cleaning. Water could damage the motor, or the wood, or possibly cause an electrical shock.
2. Apply oil to your fan or motor, the motor has permanently lubricated sealed ball bearings.

 **NOTE:** Power off the fan before product maintenance or cleaning the fan.

FCC Statement

NOTE: This equipment has been tested and found to comply with the limits for a Class B digital device, pursuant to part 15 of the FCC Rules. These limits are designed to provide reasonable protection against harmful interference in a residential installation. This equipment generates uses and can radiate radio frequency energy and, if not installed and used in accordance with the instructions, may cause harmful interference to radio communications. However, there is no guarantee that interference will not occur in a particular installation. If this equipment does cause harmful interference to radio or television reception, which can be determined by turning the equipment off and on, the user is encouraged to try to correct the interference by one or more of the following measures:

- Reorient or relocate the receiving antenna.
- Increase the separation between the equipment and receiver.
- Connect the equipment into an outlet on a circuit different from that to which the receiver is connected.
- Consult the dealer or an experienced radio/TV technician for help.

WARNING: Changes or modifications to this unit not expressly approved by the party responsible for compliance could void the user's authority to operate the equipment.

IMPORTANT SAFETY INSTRUCTION

READ AND SAVE THESE INSTRUCTIONS

1. To reduce the risk of electric shock, ensure electricity has been turned off at the circuit breaker or fuse box before beginning.
2. All electrical connections must be made in accordance with local codes, ordinances and/or the National Electric Code. Electrical installation should be performed by a qualified licensed electrician.
3. **WARNING/AVERTISSEMENT:** To reduce the risk of electrical shock or fire, do not use this fan with any solid-state fan speed control device. It will permanently damage the electronic circuitry.
4. **CAUTION/ATTENTION:** To reduce the risk of personal injury, use only the screws provided with the outlet box.
5. The weight of the unit is **13.2lbs (6kg)**. The outlet box and support structure must be securely mounted and capable of reliably supporting a minimum of 15.9 kg (35lb.). Use only UL Listed outlet boxes marked "FOR FAN SUPPORT".
6. The fan must be mounted with a minimum of 7 ft (2.1m) clearance from the trailing edge of the blades to the floor.
7. Avoid placing objects in the path of the blades.
8. To avoid personal injury or damage to the fan and other items, be cautious when working around or cleaning the fan.
9. Do not use water or detergents when cleaning the fan or fan blades. A dry dust cloth or lightly dampened cloth will be suitable for cleaning.
10. After making electrical connections, spliced conductors should be turned upward and pushed carefully up into the outlet box. The wires should be spread apart with the grounded conductor and the equipment-grounding conductor on one side of the outlet box and ungrounded conductor on the other side of the outlet box.
11. All screws must be checked and re-tightened where necessary during installation.
12. This fan is suitable for room sizes up to **15ft x 15ft (4.5m x 4.5m)**.
13. The heater has hot and arcing or sparking parts inside. Do not use it in areas where gasoline, paint or flammable vapors or liquids are used or stored.
14. This heater is hot when in use. To avoid burns, do not let bare skin touch hot surfaces. Keep combustible materials, such as furniture, pillows, bedding, papers, clothes, etc. and curtains at least 3 ft (0.9 m) from the front of the heater and keep them at least 3 ft (0.9m) away from the sides and rear.
15. Extreme caution is necessary when any heater is used by or near children or invalids and whenever the heater is left operating and unattended.
16. Do not operate any heater after it malfunctions. Shut off power at wall switch and have heater inspected by a reputable electrician before reusing.
17. To disconnect heater, turn or switch controls to off, and turn off power to heater circuit at main disconnect panel or operate internal disconnect switch if provided.
18. The thermal protection activation indicates that the unit has been subjected to abnormal operating conditions. If the thermal protection remains activated or activates and deactivates repeatedly, it is recommended that a qualified electrician or a certified repair center examine the unit in order to make sure it is not damaged.
19. The heaters are intended to provide supplemental heat and not to take the place of a home's main heat source.
20. Do not block air intakes or exhaust in any manner as this may cause an electric shock or fire, or damage the heater.
21. Do not insert or allow foreign objects to enter any or exhaust opening as this may cause an electric shock or fire, or damage the heater.
22. The heater is for indoor use or damp location use such as basement or covered porches. Do not use outdoors in direct exposure to wet locations and rain.
23. Use this heater only as described in this manual. Any other use not recommended by the manufacturer may cause fire, electric shock, or injury to persons.
24. Before touching any wire, use a voltage tester to make sure it's not live. Tape a sign to the panel warning others to leave the circuit alone while you work.
25. Vaulted ceiling angle is not to exceed 15 degrees.



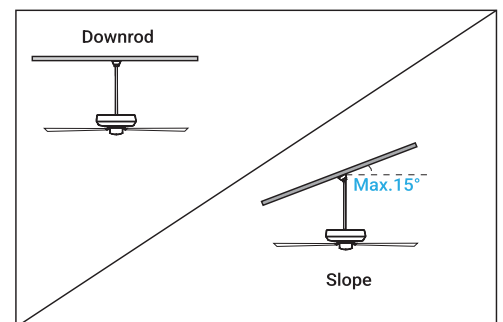
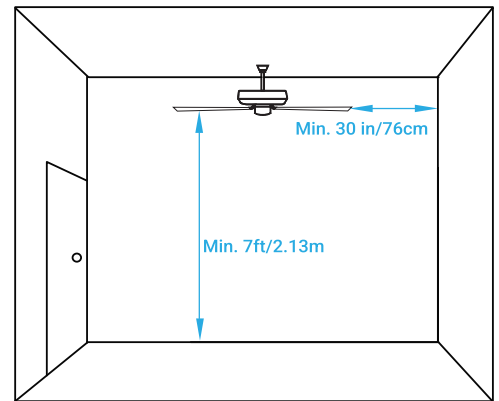
WARNING/AVERTISSEMENT:

To reduce the risk of fire, electric shock or personal injury, mount to outlet box marked "acceptable for fan support of 15.9 kg (35 lb.) or less" and use mounting screws provided with the outlet box. Most outlet boxes commonly used for the support of light fixtures are not acceptable for fan support and may need to be replaced. Due to the complexity of the installation of this fan, a qualified licensed electrician is strongly recommended.

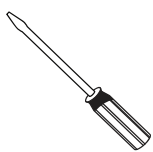


CAUTION/ATTENTION:

Do not use wall switch with dimmer function.



Tools Needed (Not Supplied)



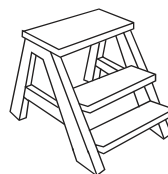
Flathead Screwdriver
(1#screwhead recommended)



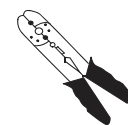
Phillips Screwdriver



Safety Glasses



Step Ladder



Wire Stripper



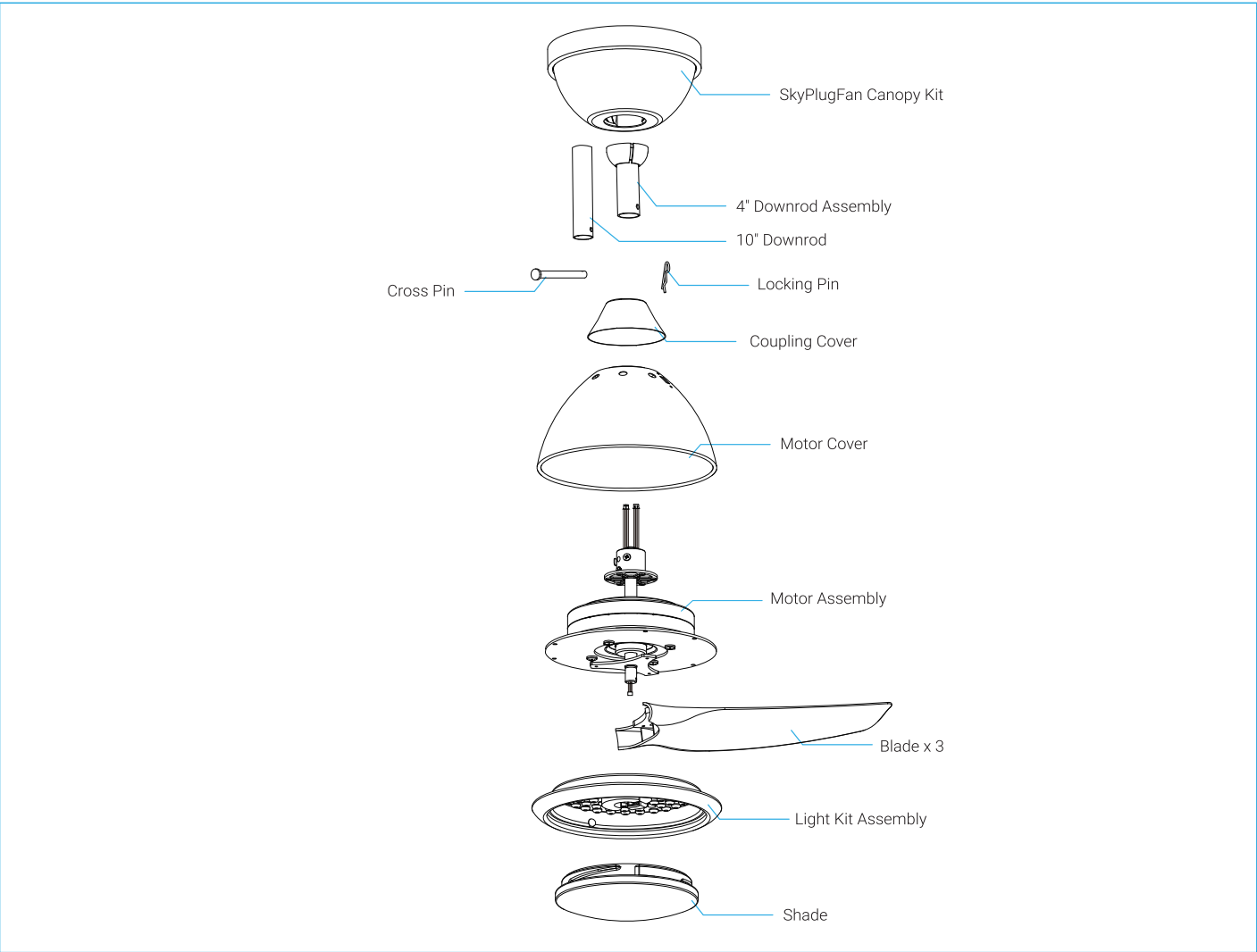
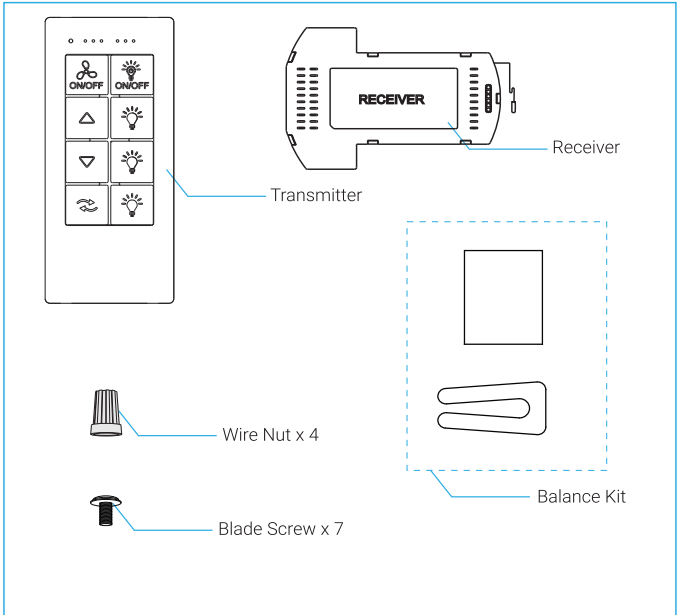
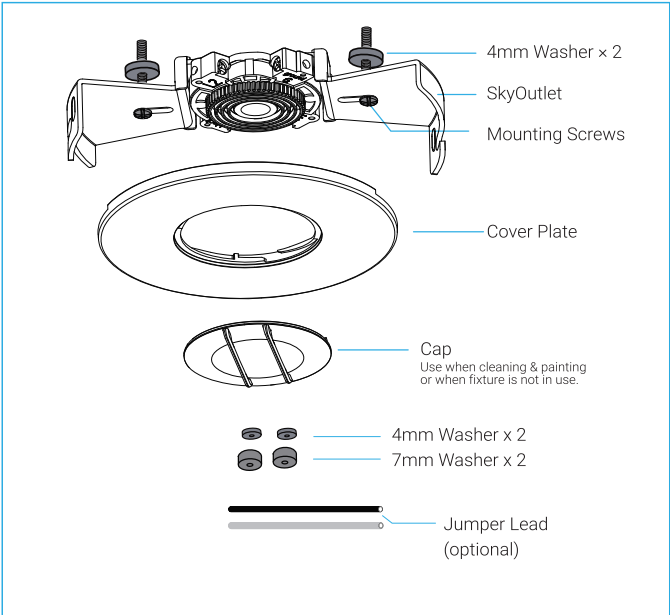
Soft Cloth

Parts Included

Carefully unpack and identify each part to make sure you have everything ready for installation. Lay out each part on a clean area such as a table or floor. Check to make sure you have the following:



ATTENTION: Parts are not to scale.



SkyOutlet Installation



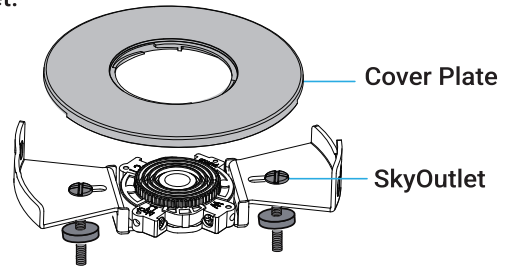
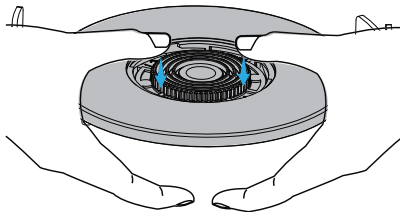
Scan the QR code to view SkyOutlet installation video.

CUSTOMER SERVICE

1-855-759-7584 | 9am-5pm EST Mon-Fri
www.SKYPLUG.com | support@skyplug.com

1 Prepare for SkyOutlet Installation

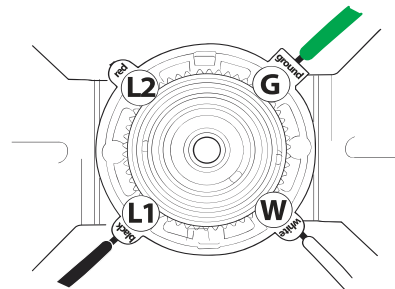
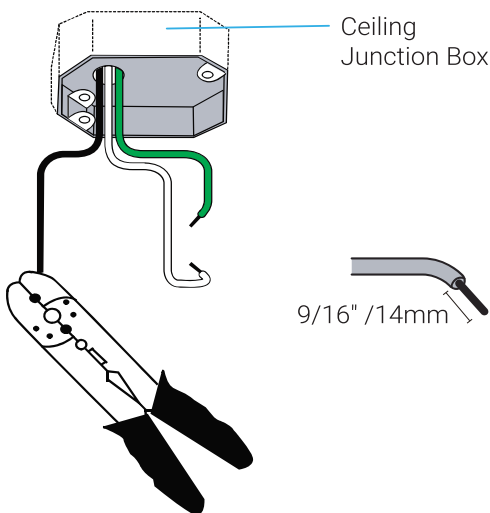
Push the middle of SkyOutlet to separate cover plate and SkyOutlet.



2 Wire SkyOutlet to ceiling junction box.

1. Strip wire to 9/16"/14mm.

2. Loosen terminal screws to insert branch circuit wires into the corresponding terminals. Tighten to secure wires. Check to make sure wires are securely inserted into terminals. Set screw torque value at 6.3 lb/in.



NOTE: Typical wire configuration for fans with remote control is on the page 7.

If you do not have standard wiring configurations, please contact a qualified electrician or call customer service 1-855-759-7584.

3 Secure SkyOutlet to outlet box using 2 screws and washers(included).

IMPORTANT:

If the outlet box is recessed, use included washers to align the SkyOutlet flush with the ceiling surface. (see below Figure A)

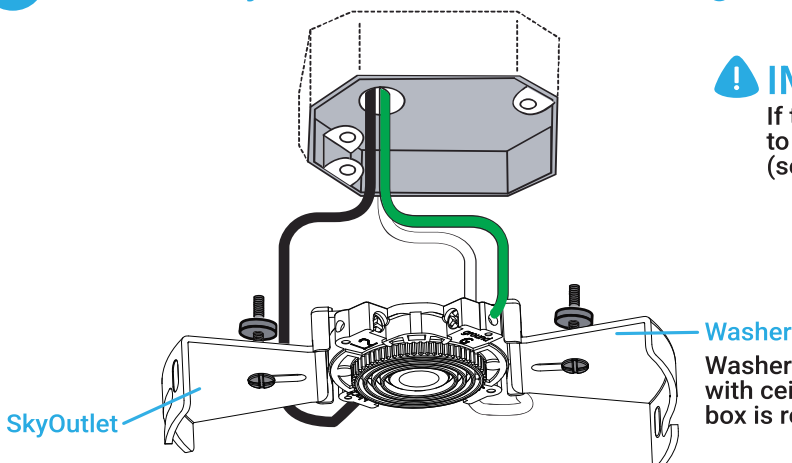
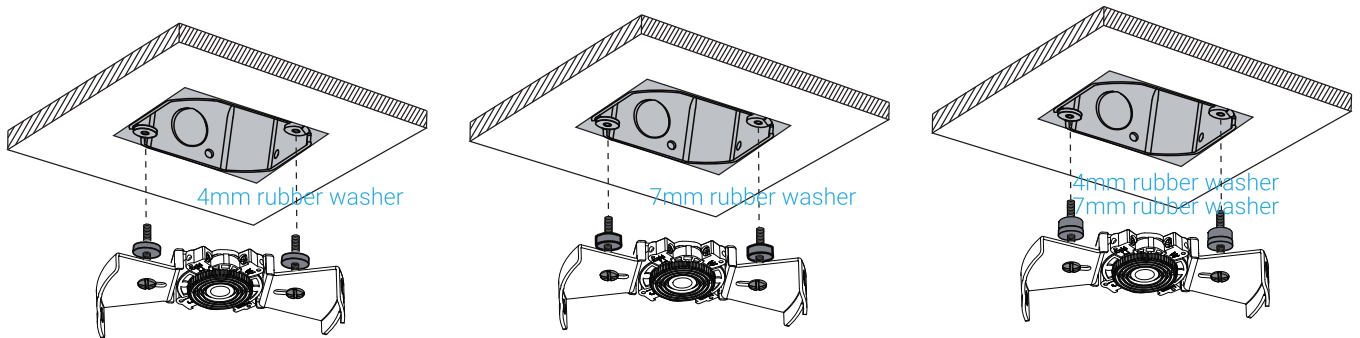
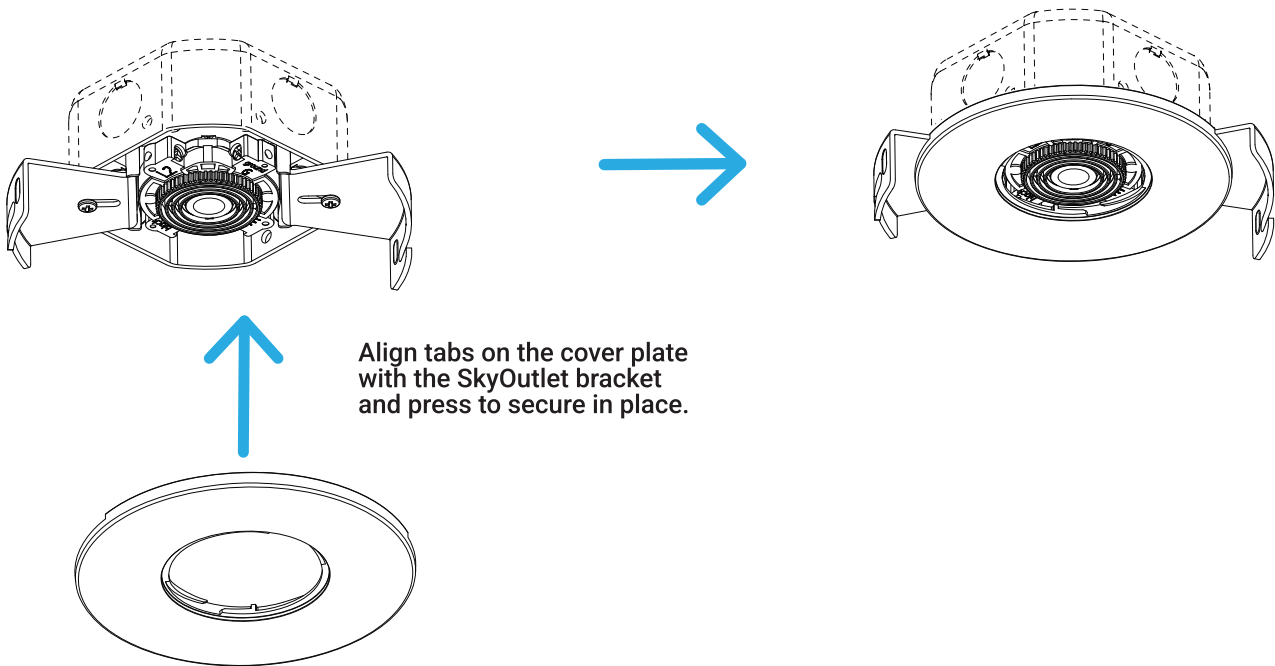


Figure A

! IMPORTANT: If your box is flush with ceiling or recessed less than 1.5 mm (0.06"), use 4 mm washer. If recessed between 1.5 mm (0.06") and 3 mm (0.12") use larger 7 mm rubber washer. If recessed more, use combination of both washers.

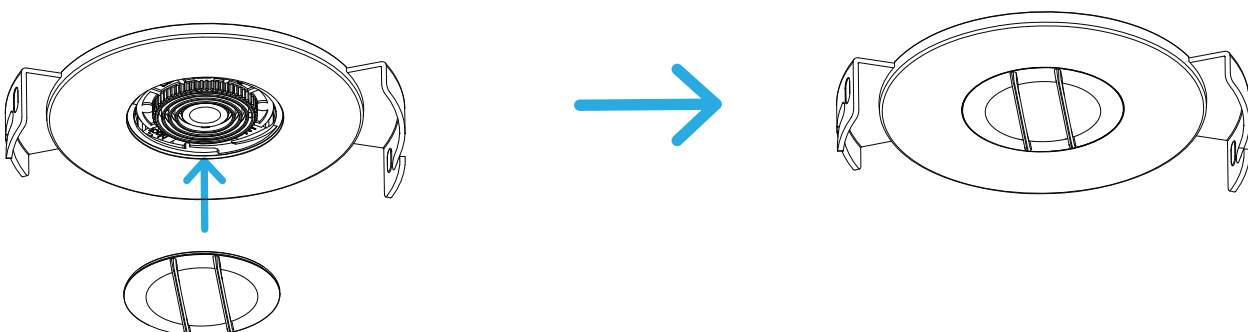


4 Secure cover plate as shown.



! NOTE:

A center cap is provided to cover and protect the SkyOutlet when the light fixture is removed for painting, maintenance, etc. To install the center cap, align the two slots on the cover plate and turn to secure.

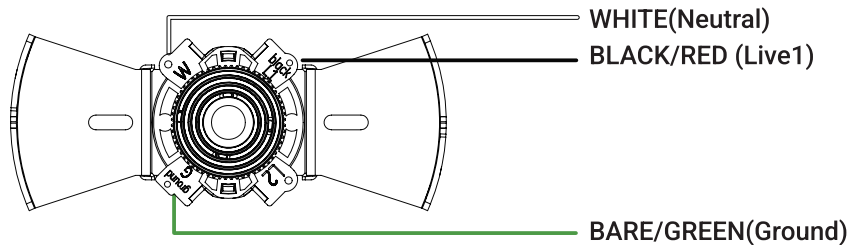


Typical Wire Configuration for Fans with Remote Control

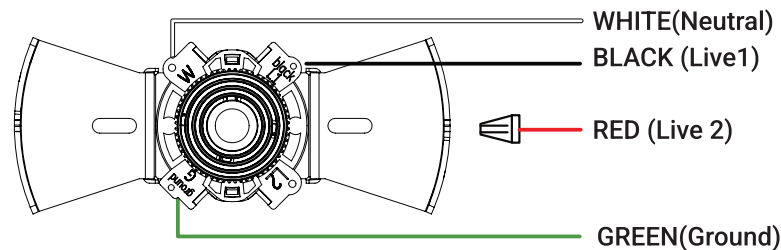
! IMPORTANT:

For remote control fans, L1 is the only active live /hot terminal. The hot/live wire from house supply must be inserted into L1 terminal for the fan to operate. The remote will control operate the fan and light separately.

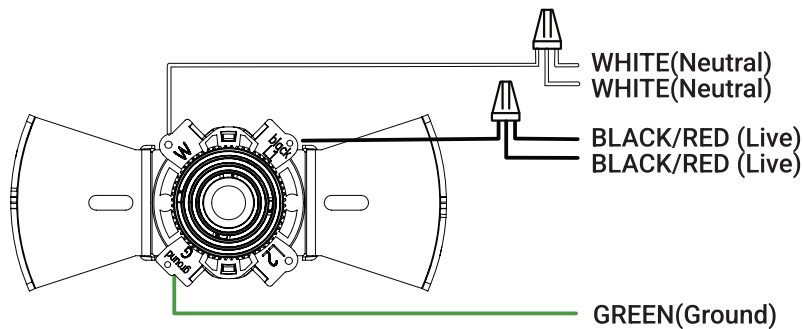
WIRING DIAGRAM #1:
Typical Wiring
Configuration
for 1 Wall Switch



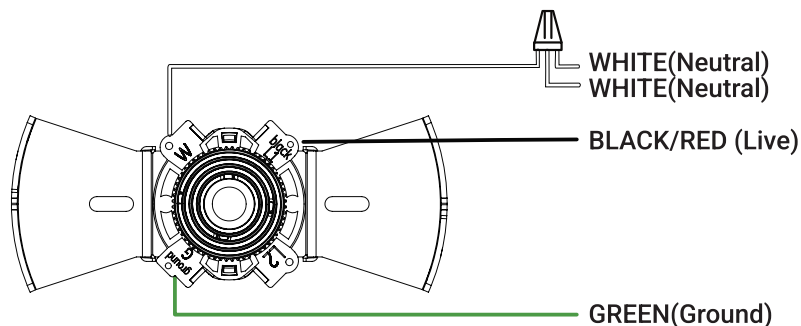
WIRING DIAGRAM #2:
Typical Wiring
Configuration
for 2 Wall Switches



WIRING DIAGRAM #3:
Typical Wiring
Configuration
for 2 Wall Switches



WIRING DIAGRAM #4:
Wiring Configuration
with more than 1
of the same colored
wires in the outlet box



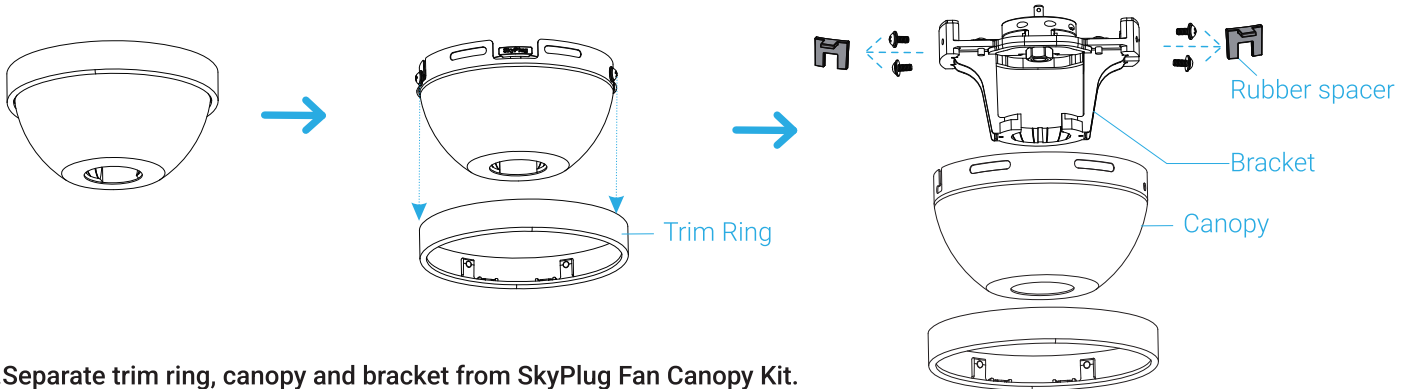
! NOTE:

If you do not have standard wiring configurations and have questions about the wiring in your outlet box, please contact a qualified electrician, or call customer service 1-855-759-7584.

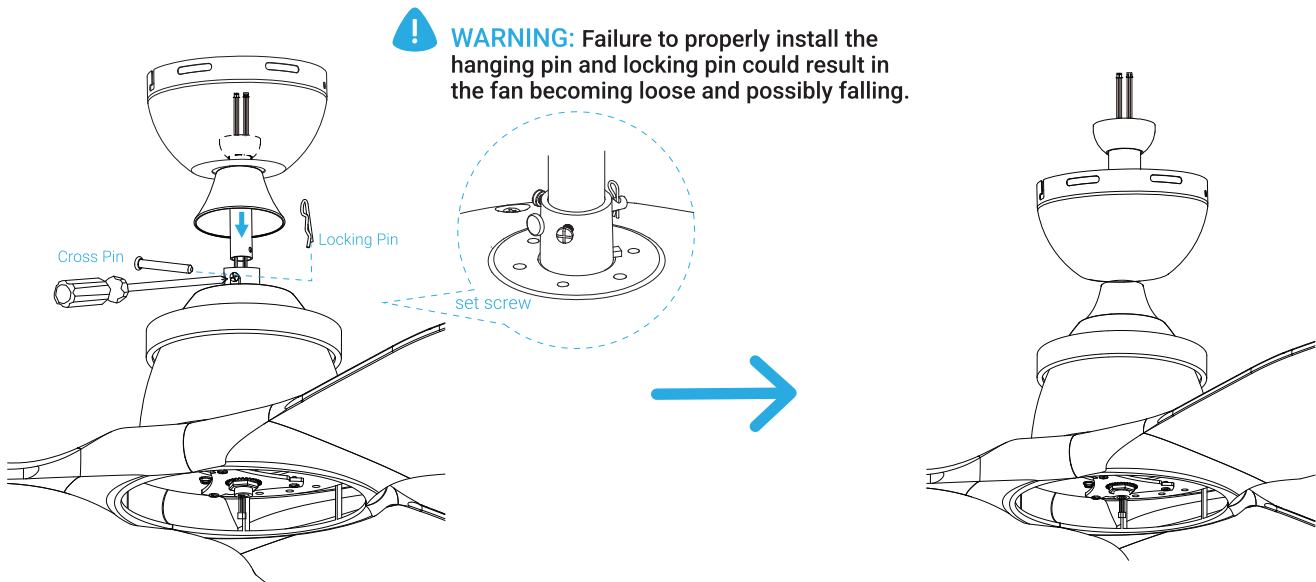
If you have multiple wires connected together, add a jumper lead and insert jumper lead into terminal. Only one single wire can be inserted into terminal.

Fan Assembly to SkyPlug Canopy

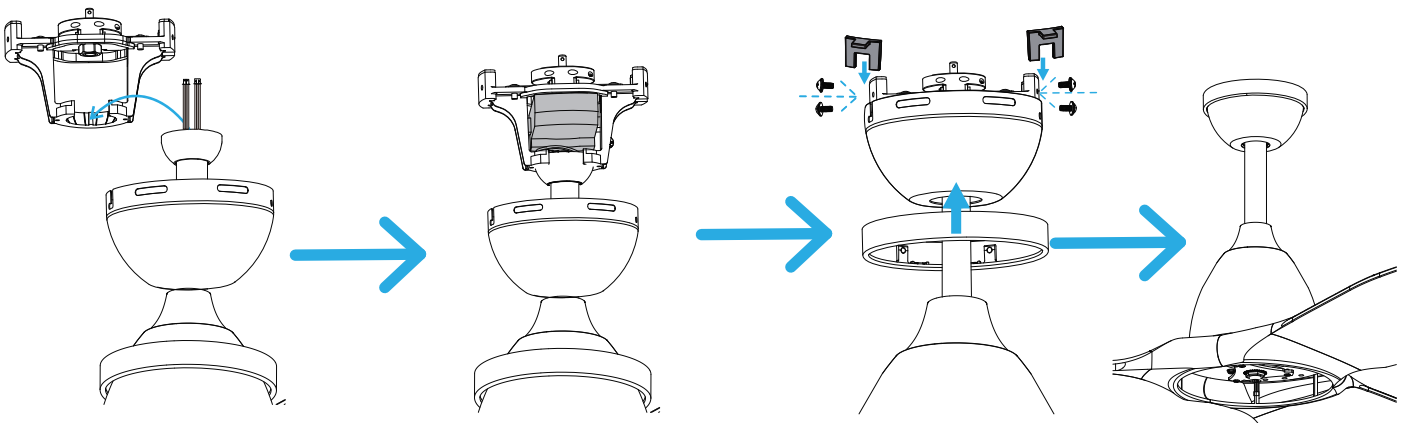
5



1. Separate trim ring, canopy and bracket from SkyPlug Fan Canopy Kit.

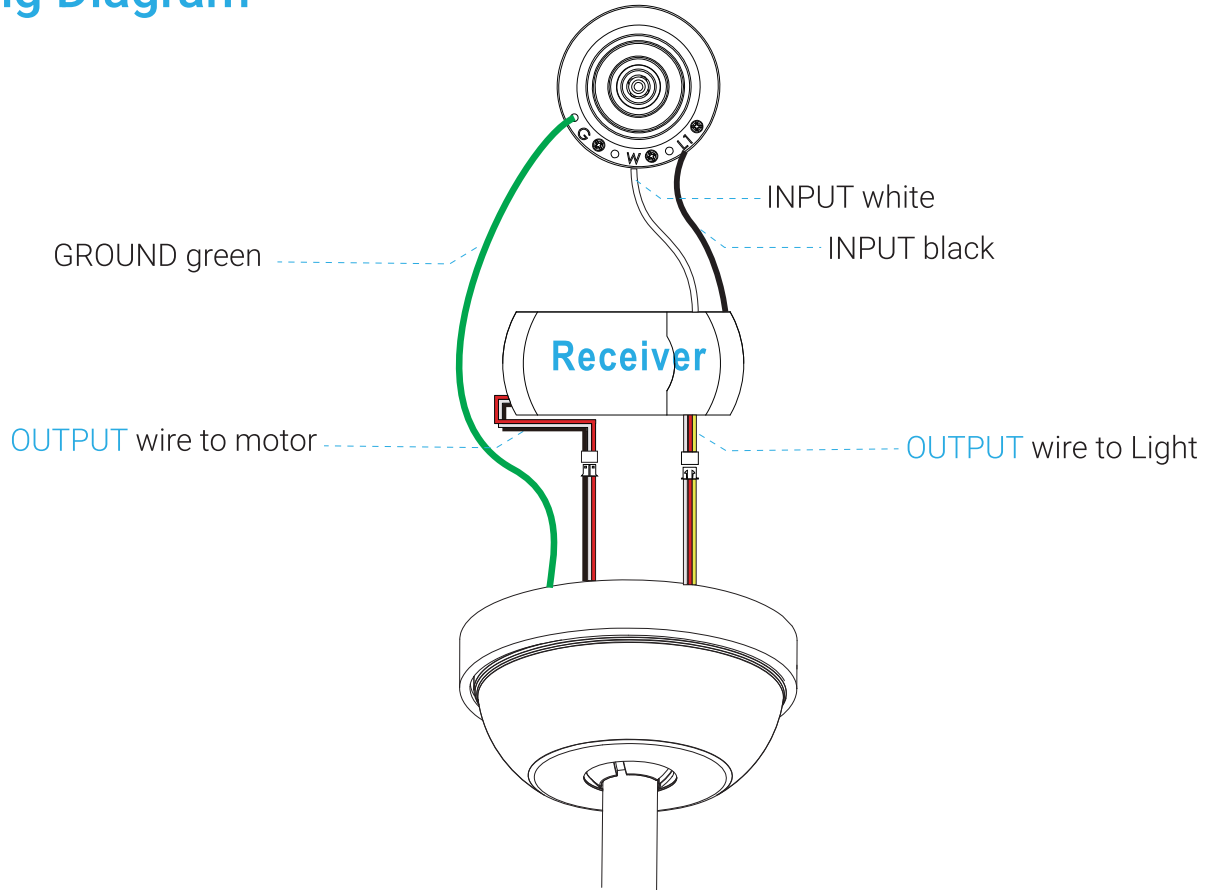


2. Place trim onto the fan assembly (see page 10 for the blades and motor cover installation), slide coupling cover and canopy onto downrod assembly, feed wires through downrod assembly. Install hanging pin and locking pin on the collar, secure the set screws.



3. Put hanger ball onto bracket and insert receiver. Wire the receiver and plug (see next page wiring diagram for more details), insert rubber insert between canopy and bracket to lock the screws.

Wiring Diagram



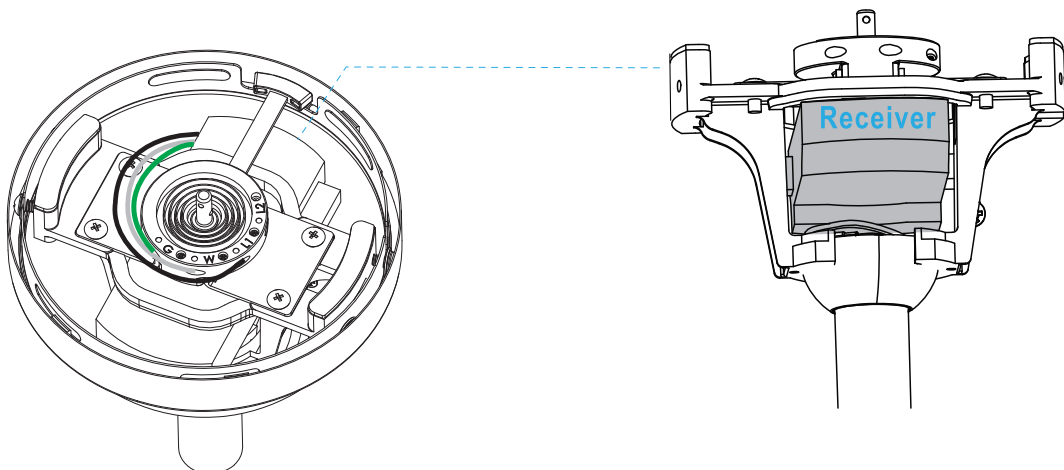
CAUTION: Do not mix up remote OUTPUT to motor and light wires. Don't place wires over the plug.

1. Connect black from receiver INPUT to L1, connect white from receiver INPUT to W, connect green from fan to G.

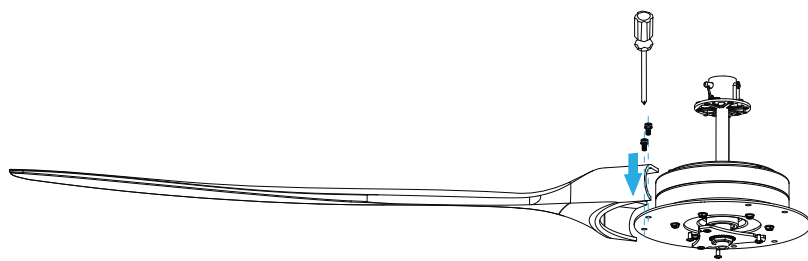
Using cable tie to manage wires ensure wires are not over plug.

2. Insert the terminal of the light wire from fan to the terminal of the OUTPUT light wire. Insert the terminal of the motor wire from fan to the terminal of the OUTPUT motor wire.
3. Place wires and terminal below the bracket to ensure they're not over the bracket.

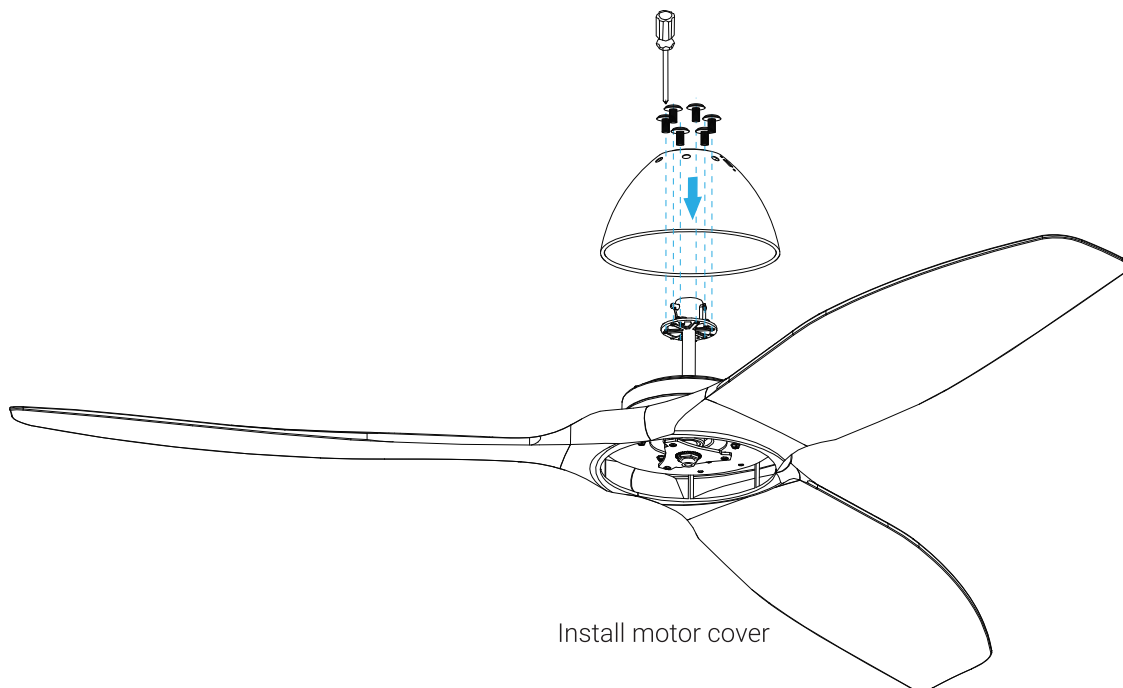
CAUTION: Do not mix up remote OUTPUT to motor and light wires. Don't place wires over the plug.



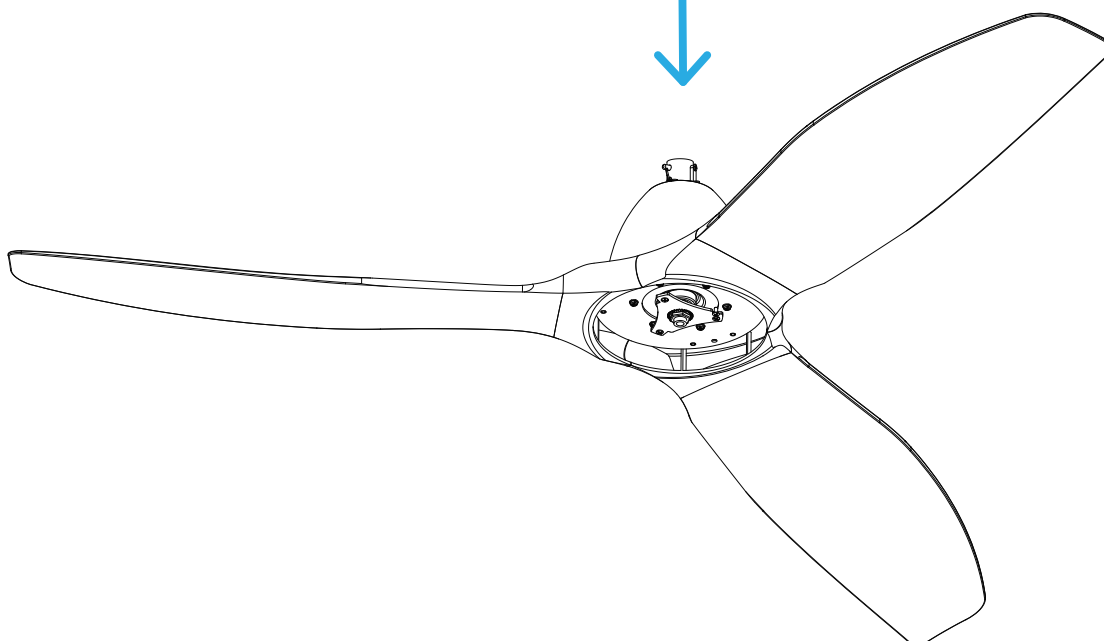
Blades and Motor Cover Installation



Install blades



Install motor cover

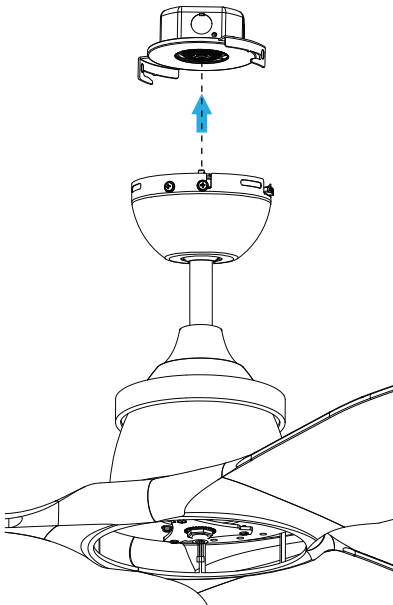


Fan Installation

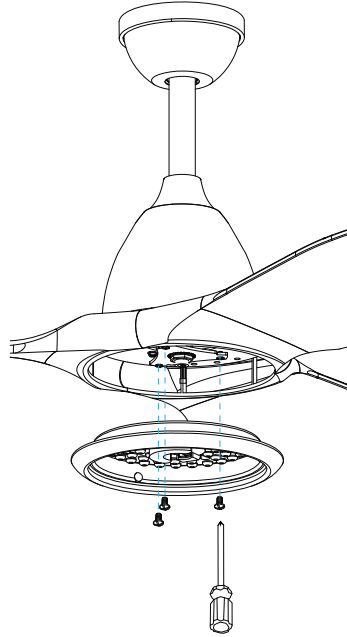
THERE ARE TWO OPTIONS TO INSTALL THE FAN.

OPTION 1: Install fan body to ceiling and then complete the assembly of fan parts with fan body mounted on the ceiling.

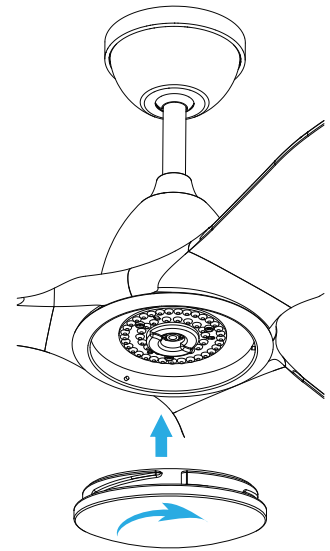
-For this installation, follow steps to install fan body to ceiling and then refer to your specific fan instructions for attaching light kit and light shade to fan body.



See step 6-11
Install fan body to ceiling



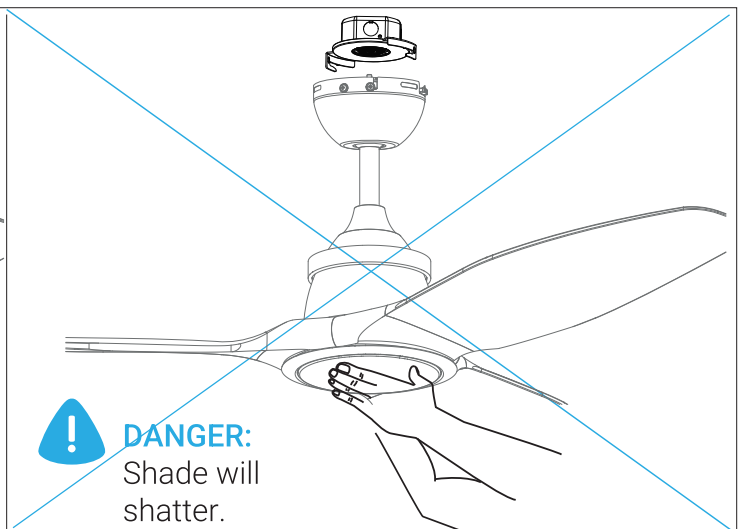
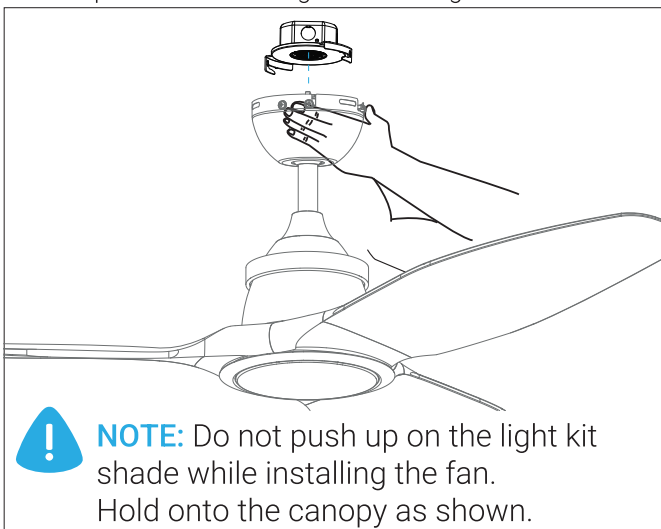
Attach light kit assembly



Attach light shade

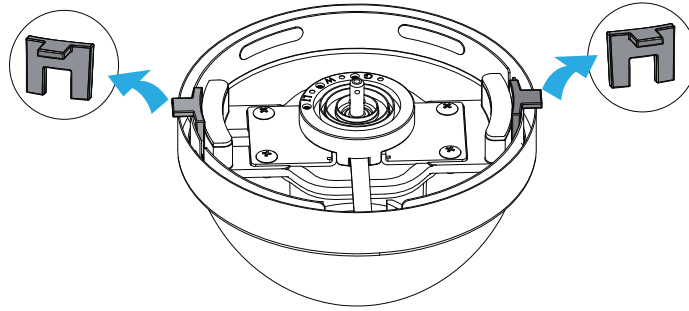
OPTION 2: Assemble the fan on floor/table and install fully assembled fan to ceiling. Refer to the ceiling fan instructions.

See step 6-11 for installing fan to ceiling.



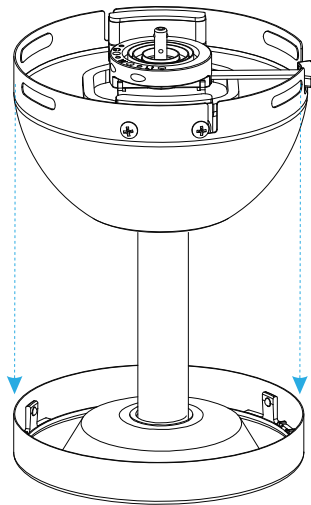
Fan Installation

6



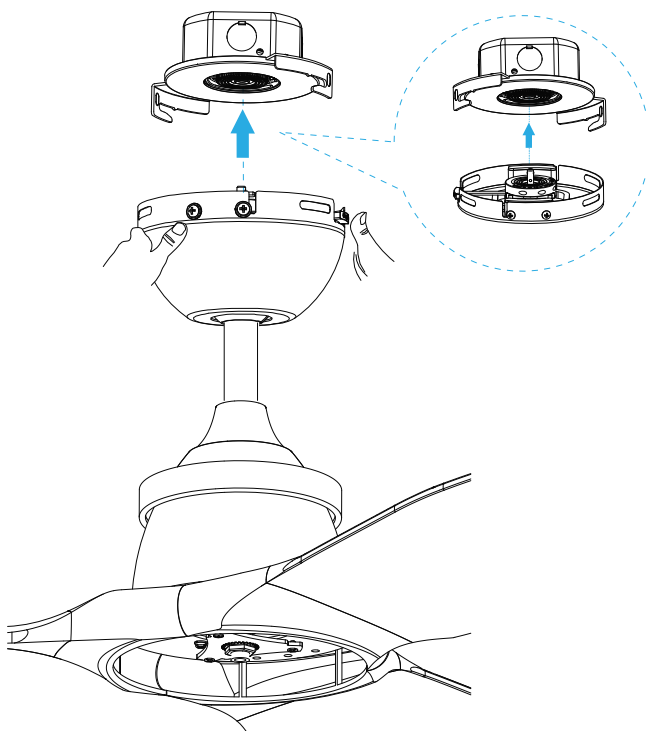
Remove and discard rubber inserts (loosen four mounting screws slightly if needed).

7



Slide down canopy trim ring from canopy.

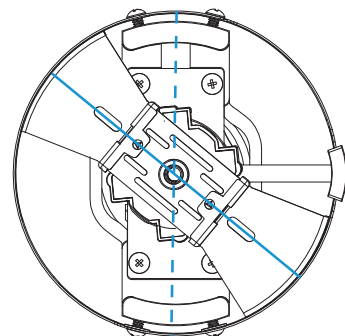
8A



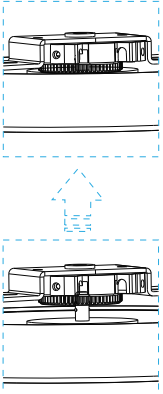
Lift fan, press in the push button.
Line up SkyPlug into SkyOutlet mounted in ceiling.
Insert SkyPlug into SkyOutlet
(Keep pressing push button while inserting).

! IMPORTANT:

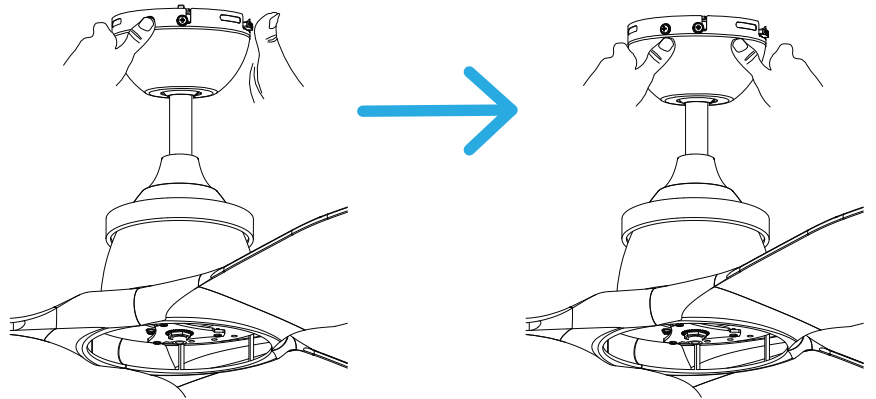
For proper mounting,
the SkyPlug and SkyOutlet
need to be lined up in a
X formation.



8B

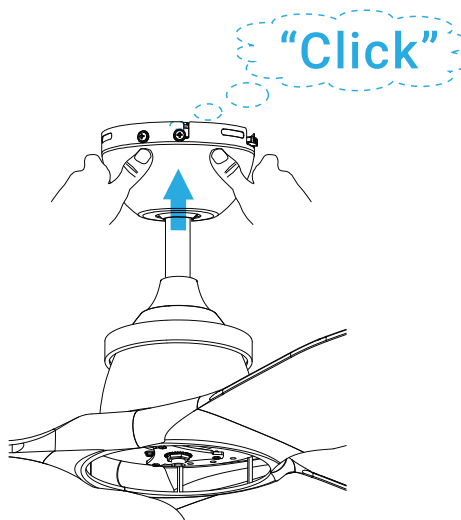


! IMPORTANT:
SkyPlug must be fully engaged into SkyOutlet.



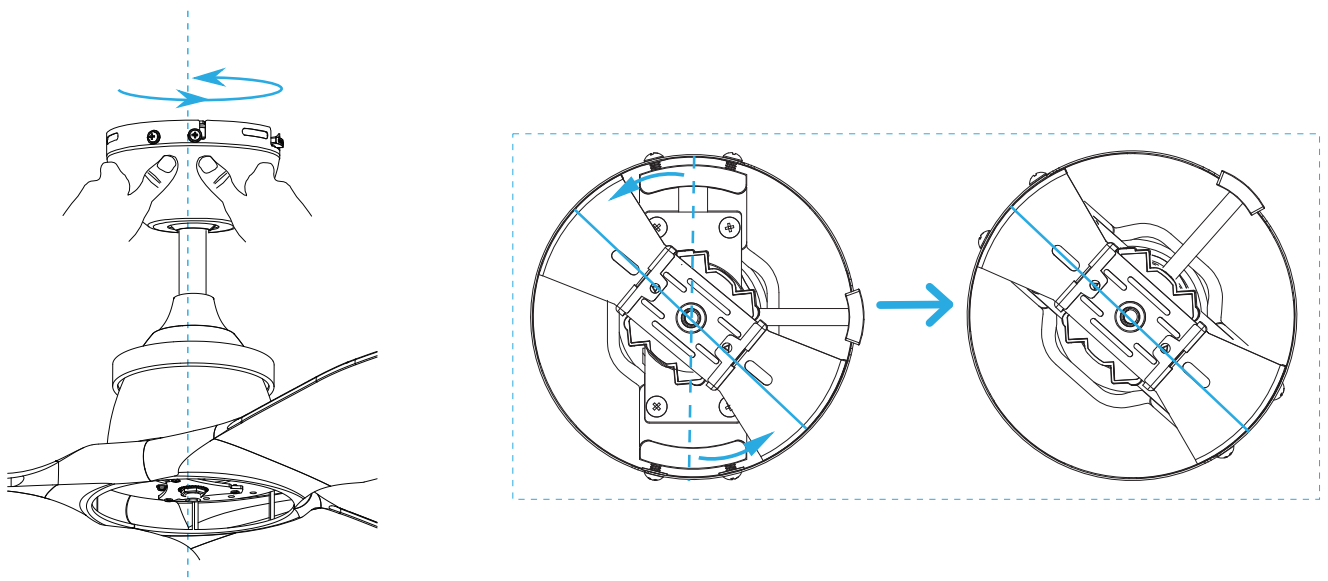
Once plug is fully inserted, let go of push button while supporting fan.

8C



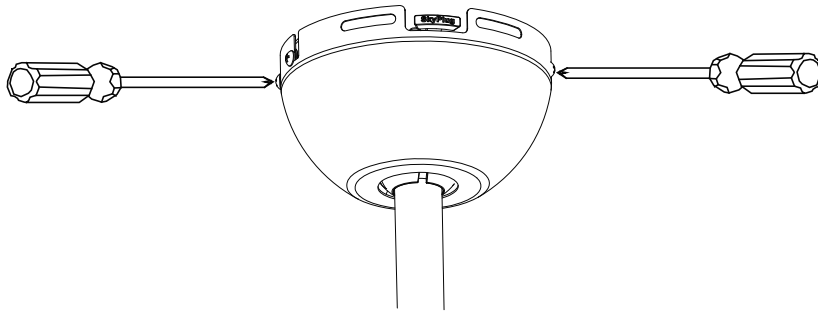
Push up on fan to lock SkyPlug into SkyOutlet (listen for locking "click").

8D



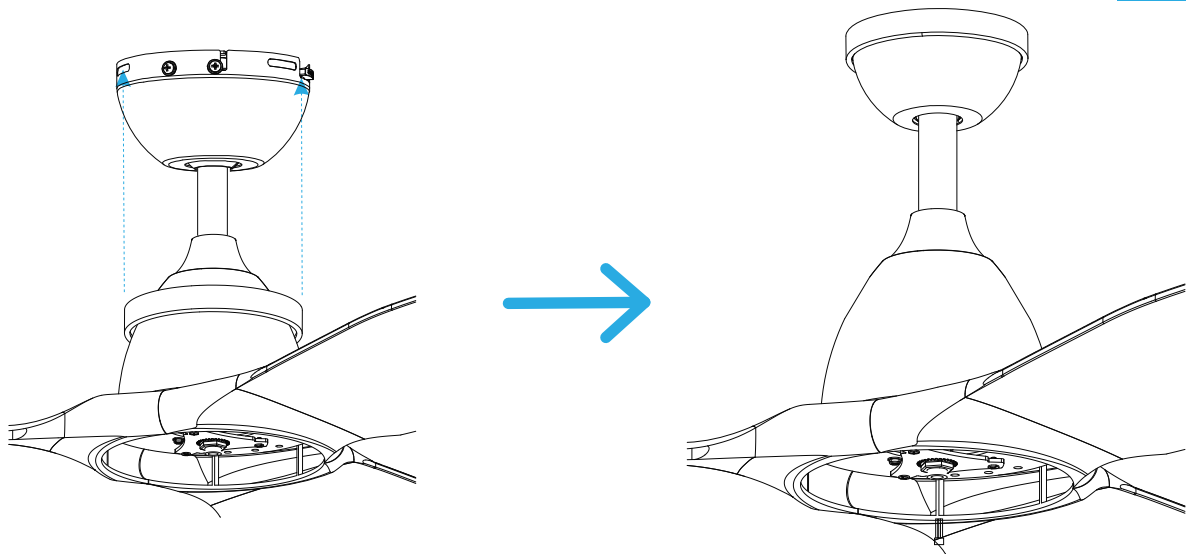
Turn fan to the right (counter clockwise) to engage into slots and activate the final locking mechanism.

9



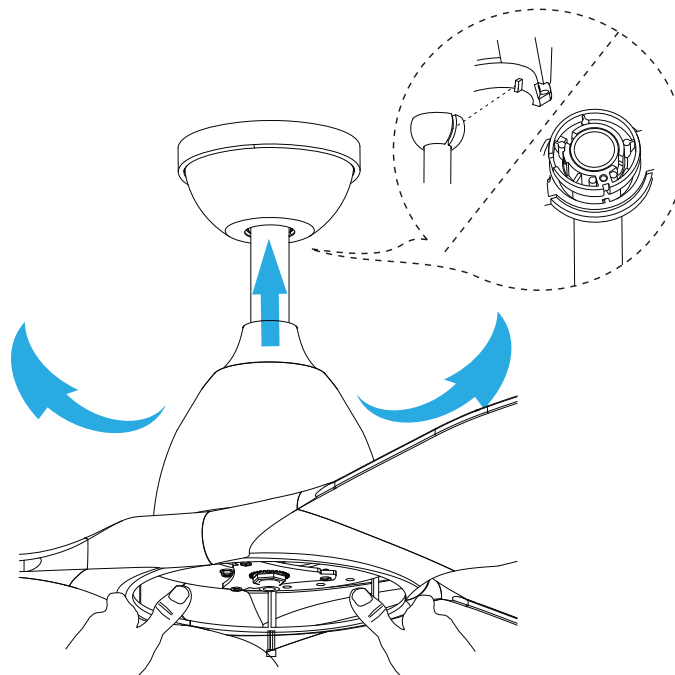
Once installed, tighten all 4 screws.

10



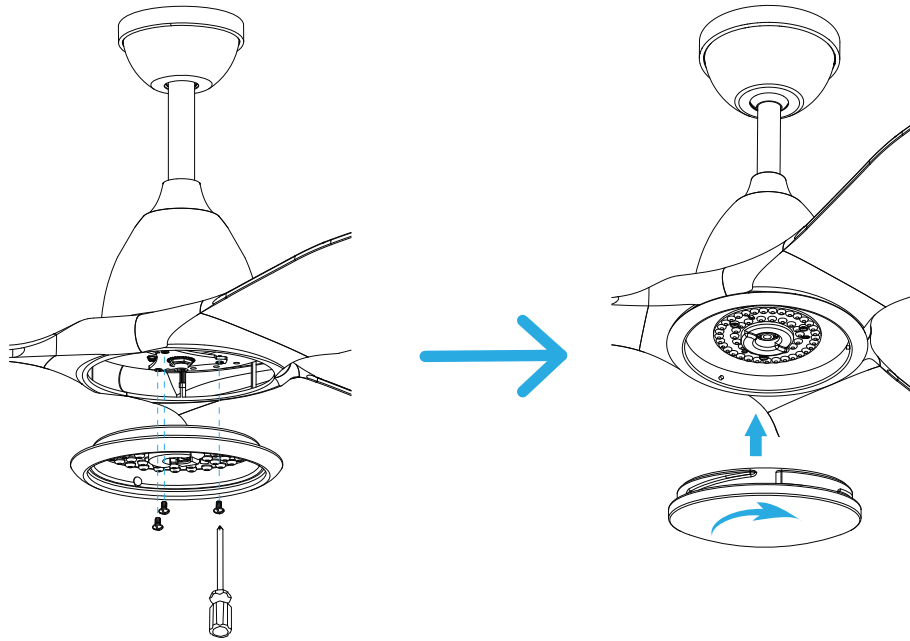
Reinstall trim ring

11



Lift up the fan body and gently adjust left and right so that hanger ball is properly seated in bracket.

12

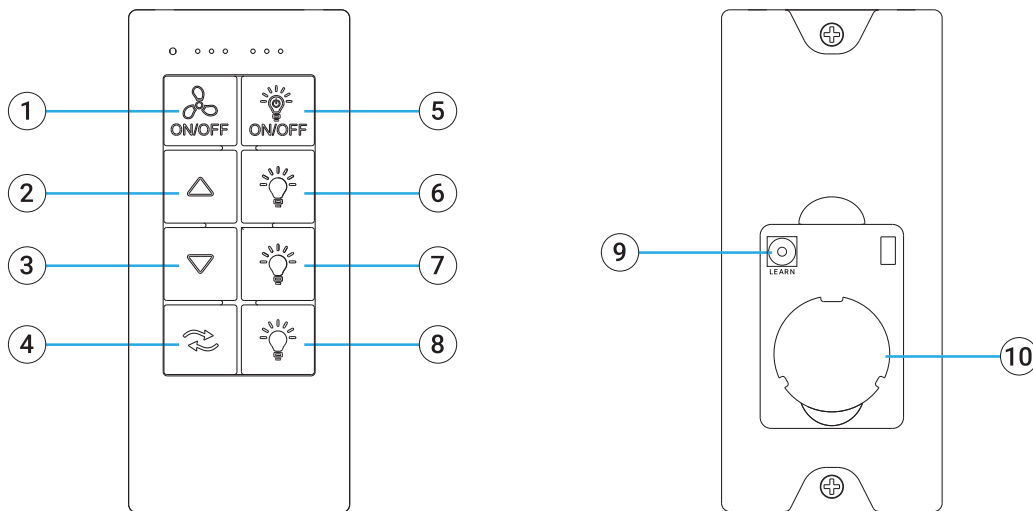


Install light kit

Install light shade


INSTALLATION IS COMPLETED.

Remote Control Start-Up Guide



- | | | | |
|---------------|----------------------|-------------------|----------------------|
| ① Fan ON/OFF | ④ Forward / Reverset | ⑦ Warm whiteLight | ⑩ CR2032, 3V Battery |
| ② Fan Speed + | ⑤ Light ON/OFF | ⑧ White Light | |
| ③ Fan Speed - | ⑥ Warm Light | ⑨ Learn | |

1. OPERATING REMOTE CONTROL:

- A. Install CR2032, 3 volt battery. (To prevent damage to transmitter, remove the battery if not used for a long time).
- B. Store the transmitter away from excessive heat or humidity.
- C. Operating the buttons on the panel of the transmitter.
- D. Keep pressing the light button  in excess of 0.7 second and it becomes a dimmer.

2. SETTING THE CODES ON THE RECEIVER:

The Learn Key must be pressed with in 5 seconds, after pressing the Power button. If not, please press the Power button to restart. Keep pressing the button LEARN key in excess of 3 second it becomes a LEARN status. The receiver can remember the last codes status. The ceiling fan light flash two times.

WARNING

- **INGESTION HAZARD:** This product contains a button cell or coin battery.
- **DEATH** or serious injury can occur if ingested.
- A swallowed button cell or coin battery can cause **Internal Chemical Burns** in as little as 2 hours.
- **KEEP** new and used batteries **OUT OF REACH OF CHILDREN**
- **Seek immediate medical attention** if a battery is suspected to be swallowed or inserted inside any part of the body.



Remove and immediately recycle or dispose of used batteries according to local regulations and keep away from children.

Do NOT dispose of batteries in household trash or incinerate.

Even used batteries may cause severe injury or death.

Call a local poison control center for treatment information.

Compatible battery type is CR2032, 3V

Ensure the batteries are installed correctly with regard to polarity (+ and -).

Do not mix old and new batteries, different brands or types of batteries, such as alkaline, carbon-zinc, or rechargeable batteries.

Non-rechargeable batteries are not to be recharged. Exhausted batteries are to be removed from the product.

Do not force discharge, recharge, disassemble, heat above (manufacturer's specified temperature rating) or incinerate.

Doing so may result in injury due to venting, leakage or explosion resulting in chemical burns.

Remove and immediately recycle or dispose of batteries from equipment not used for an extended period of time according to local regulations.

Always completely secure the battery compartment. If the battery compartment does not close securely, stop using the product, remove the batteries, and keep them away from children.



WARNING INGESTION HAZARD: This product contains a button cell or coin battery.

FCC STATEMENT

This device complies with Part 15 of the FCC Rules. Operation is subject to the following two conditions:

(1) this device may not cause harmful interference.

(2) this device must accept any interference received, including interference that may cause undesired operation.

Please note that changes or modifications of this product is not expressly approved by the party responsible for compliance could void the user's authority to operate the equipment. NOTE: This equipment has been tested and found to comply with the limits for a Class B digital device, pursuant to Part 15 of the FCC Rules.

These limits are designed to provide reasonable protection against harmful interference in a residential installation.

This equipment generates, uses and can radiate radio frequency energy and, if not installed and used in accordance with the instructions, may cause harmful interference to radio communications.

However, there is no guarantee that interference will not occur in a particular installation.

If this equipment does cause harmful interference to radio or television reception which can be determined by turning the equipment off and on, the user is encouraged to try to correct the interference by one or more of the following measures:

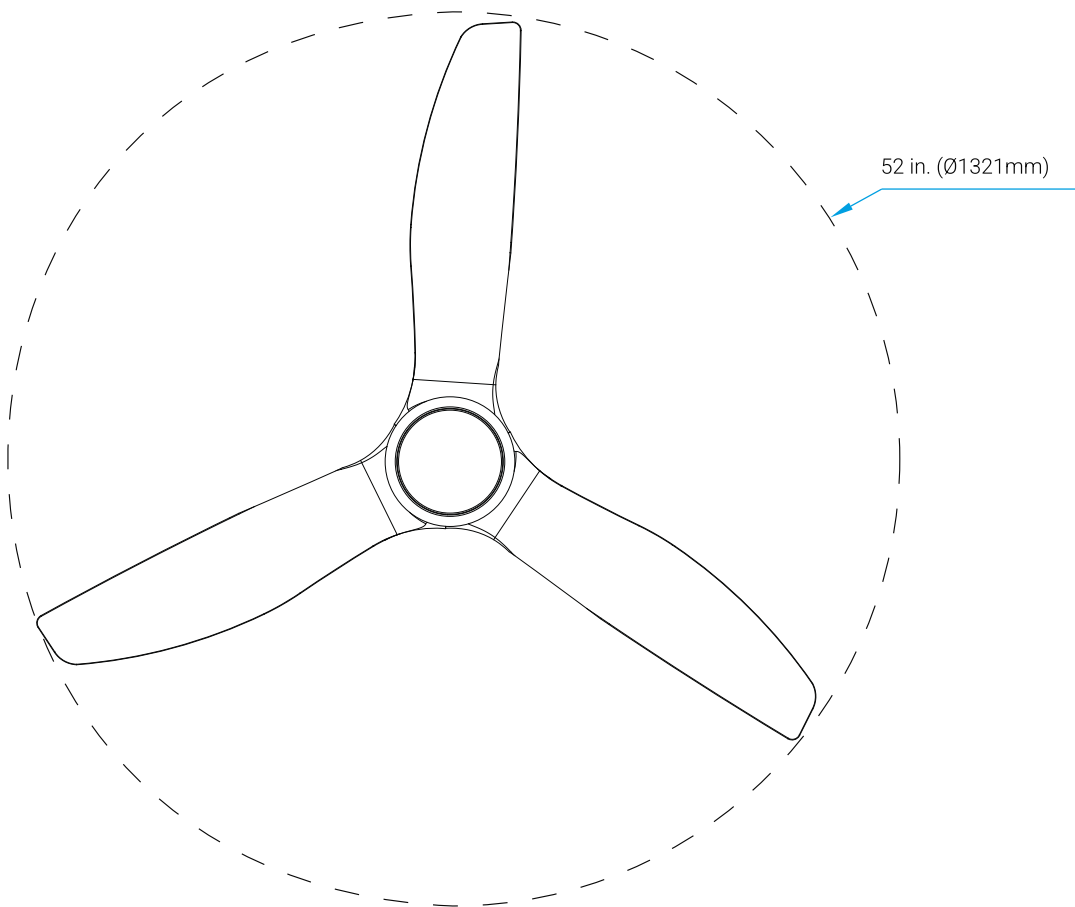
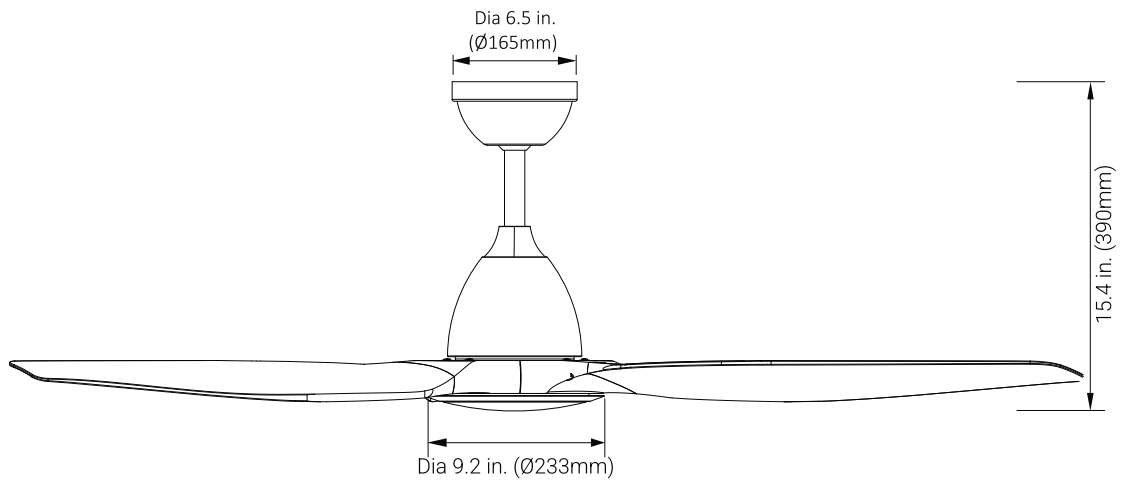
-Reorient or relocate the receiving antenna.

-Increase the separation between the equipment and receiver.

-Connect the equipment into an outlet on a circuit different from that to which the receiver is connected.

-Consult the dealer or an experienced radio/TV technician for help.

Product Size



Troubleshooting

Try these troubleshooting steps before contacting the Customer Service. For additional operation, maintenance, and troubleshooting information, please contact our customer service center.

SYMPTOM	POSSIBLE SOLUTION
Fan not spinning	<ol style="list-style-type: none"> 1. Make sure the fan is getting power. 2. Check your circuit breaker or fuse panel and wall switch for functionality. 3. Fan wires are connecting with the house wires correctly. 4. Remote control must be paired with the fan within 10 minutes after the fan getting power. 5. If you have paired the App but the fan still didn't work (light and fan both did not work) or could not pair the App to the fan, try to reset the fan: to reset the fan, cut the power for 10minutes, then turn the power on and press the pairing button on the remote for 5 second still hear beep sound, then pair the Carrohome App again. 6. Use a multi-meter and test the adapter wiring harness to see if there is any electrical output. 7. All the pin wiring on the circuit board are inserted tight and in the right position. 8. Remote need to pair with the fan first. 9. Make sure the fan blades spin freely. 10. If you are using a wall control, check the power to the breaker from your control and try working your ceiling fan manually. (Normal switch only for the fan power on/off)
Fan light not working	<ol style="list-style-type: none"> 1. Make sure LED wires are connected to the circuit board. 2. Make sure the whole fan is powered. 3. Remote need to pair with the fan first, correctly and in the retention slot.
The fan is noisy and wobbling	<ol style="list-style-type: none"> 1. Check if the blade screws are NOT rubbing against the round plastic part of the motor. 2. Check the pin wire are NOT connected against the moving part. 3. Check the down fan cup is NOT hitting the motor. 4. Confirm the canopy is NOT touching the ceiling while the fan is in operation 5. Check the downrod is NOT slanted. 6. Tighten any loose screws on the light kit, fan blades, motor coupling, downrod, brackets and mounting hardware. 7. Confirm the hanger ball is firmly seated in the mounting bracket. 8. The ceiling beam must meet the minimum tensile test strength of 30KG for installation. 9. Make sure the airfoils and brackets are NOT bent or deformed. 10. Verify the wire connections are not rattling against each other. 11. Verify the fan blades are not cracked. If the fan blades are cracked, replace the damaged blades with a new blade set from the same brand as your ceiling fan to ensure compatibility. 12. The light kit is NOT slanting and hitting the motor.
Unable to pair remote and App (Only for smart Fan)	<ol style="list-style-type: none"> 1. Check if the wires are connected in the right position or not. 2. Check the batteries in the remote. 3. Disconnect the power for 10 minutes, reconnect the power and pair the remote with the fan immediately, within 5 seconds. Also try pairing the App to reconnect 4. The WiFi must be 2.4Ghz, incompatible with 5Ghz WiFi or combine with 5Ghz. 5. App must in the new version. 6. Connect with correct App "Vaczon Home"
Fan or light turning on or off by themselves	<ol style="list-style-type: none"> 1. Confirm the circuit breaker is not malfunctioning 2. Verify the wire connections are not frayed. 3. Check the App is not set the timer or schedule. 4. Cut the fan power for 10 minutes then power on again. 5. All the pins wiring on the circuit board are inserted tight and in the right position.

Still have Questions, Call 1-855-759-7584.

Warranty

LIMITED PRODUCT WARRANTY

For warranty info, visit www.skyplug.com/warranty.

Wobble

WOBBLE

The fan blades have been adjusted in the factory to minimize any wobble

NOTE: CEILING FANS TEND TO MOVE DURING OPERATION DUE TO THE FACT THAT THEY ARE MOUNTED ON A RUBBER CROMMET. IF THE FAN WAS MOUNTED RIGIDLY TO THE CEILING, IT WOULD CAUSE EXCESS VIBRATION. MOVEMENT OF A FEW CENTIMENTERS IS QUITE ACCEPTABLE AND DOES NOT SUGGEST ANY PROBLEM

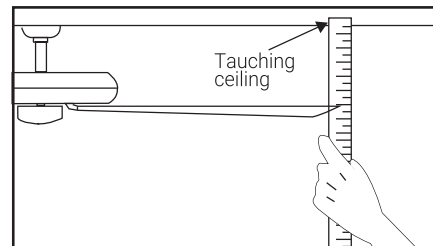
TO REDUCE THE FAN WOBBLE, PLEASE CHECK THAT ALL SCREWS WHICH SECURED THE MOUNTING BRACKET AND DOWNROD ARE SECURE.

BALANCING A WOBBLING CEILING FAN

For your convenience, a Balancing Kit is included, please follow this procedure when balancing the fan:

1. Check that all blade and blade arm screws are secure.

2. Most fan wobbling problems are caused when blade levels are unequal. Check this level by selecting a point on the ceiling above the tip of one of the blades. Measure this distance. Rotate the fan until the next blade is positioned for measurement. Repeat for each blade. The distance deviation should be equal within 1/8"(0.32cm).



3. If the blade wobble is still noticeable, use the enclosed Blade Balancing Kit.

4. If the blade wobble is still noticeable, interchanging two adjacent (side by side) blades can redistribute the weight and possibly result in smoother operation.

! WARNING: TO REDUCE THE RISK OF PERSONAL INJURY, DO NOT BEND THE BLADE ARM WHILE INSTALLING, BALANCING THE BLADES, OR CLEANING THE FAN. DO NOT INSERT FOREIGN OBJECTS BETWEEN ROTATING FAN BLADES.

NOISE

When it is quiet (especially at night) you may hear occasional small noises. This is normal. Please allow a 24-hour "breaking-in" period, most noises associated with a new fan disappear during the time.

CARE AND CLEANING

1. Periodic cleaning of your ceiling fan is the only maintenance required. Use a soft brush or lint free cloth to avoid scratching the paint finish. Please make sure to turn off electricity power before you clean your fan

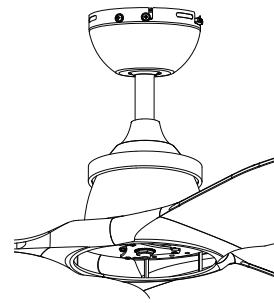
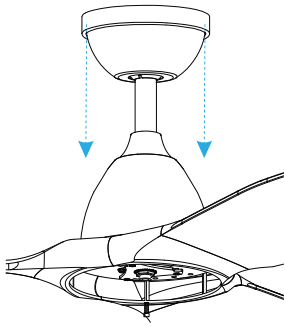
2. Do not use water when cleaning your ceiling fan. It could damage the motor or the blades and create the possibility of an electrical shock.

3. Motor has permanently lubricated ball bearing. No need to oil

NOTE:

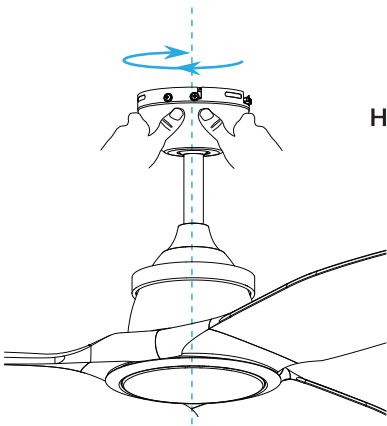
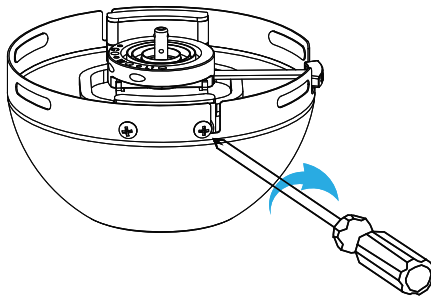
MAKE SURE THE POWER IS OFF AT THE ELECTRICAL PANEL BOX BEFORE YOU ATTEMPT ANY CLEANING OR REPAIRS.

Removing Fan From Ceiling



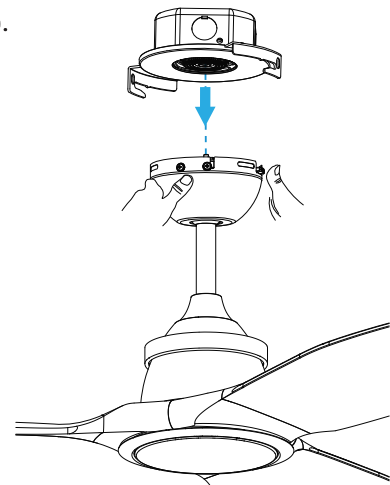
Slide down trim ring from canopy

Loosen but not remove 4 screws



Hold fan firmly, turn to the left (clockwise).

! CAUTION/ATTENTION :
Do not let fan fall.



While holding fan, press push button to release fan.

