

USER MANUAL FOR MODEL# FD-8433-CVBE

Thank you for purchasing our product. For questions or assistance on assembly, parts or installation, please contact customer support:

Email: service@jojospring.com

Website: www.jojospring.com

Please include the product number, order number if any, and your phone number in the email. If there are broken or missing parts, please include the part numbers and quantities, and your address. You will be answered within 24 hours. For hard to explain problems, please send us a few pictures showing the problems if you can. We involve the factory technicians directly in the support, so you can be assured you will deal with the experts.

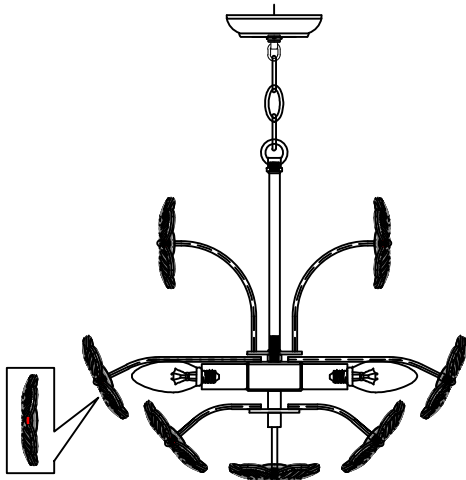
CAUTION

1. Rated 110-130V/60Hz, bulb 40W-60W maximum.
2. Care should be taken to avoid damage to the surface of lighting and wire. Wearing gloves are recommended when installing.
3. Keep lighting away from acid, alkali and other corrosive chemical or gas. Clean the lighting with clean soft cloth only.
4. Installation must be carried out by qualified electrician only.
5. Disconnect the power before installing, cleaning and replacing lighting.
6. Never cover the lighting when power is connected.

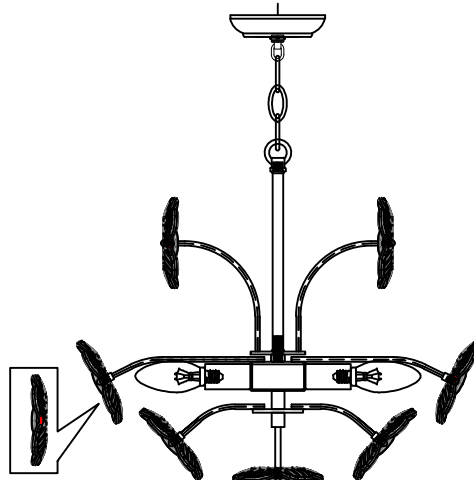
MISE EN GARDE

1. évalué 110 ~ 130V / 60Hz, ampoule 40W-60W maximum.
2. Des précautions doivent être prises pour éviter d'endommager la surface de l'éclairage et du fil. Le port de gants est recommandé lors de l'installation.
3. Gardez l'éclairage éloigné de l'acide, des alcalis et d'autres produits chimiques ou gaz corrosifs, nettoyez l'éclairage uniquement avec un chiffon doux et propre.
4. L'installation doit être effectuée uniquement par un électricien qualifié.
5. Débranchez l'alimentation avant d'installer, de nettoyer et de remplacer l'éclairage.
6. Ne couvrez jamais l'éclairage lorsque l'alimentation est connectée.

Glass Flowers – Front-Mount Effect

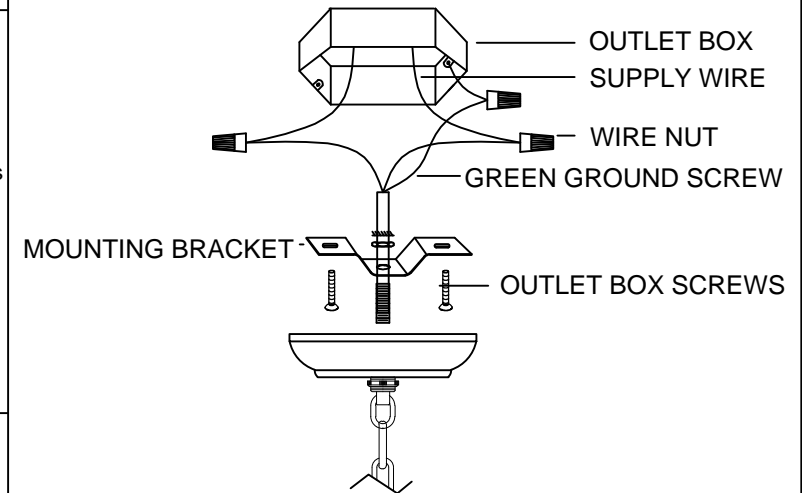


Glass Flowers – Back-Mount Effect

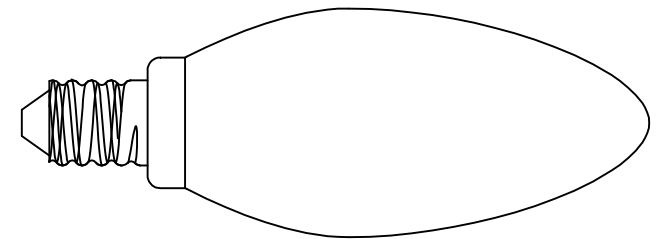


The wiring connection of luminaire and outlet box

Connect the positive wire from your ceiling to the L wire (has writing) from your light fixture. Connect the negative wire from your ceiling to the N wire (no writing) from the fixture. Connect the fixture ground wire to the outlet box ground wire with wire connectors.



Requires E12 40W-60W bulbs (not included)



INSTRUCTION

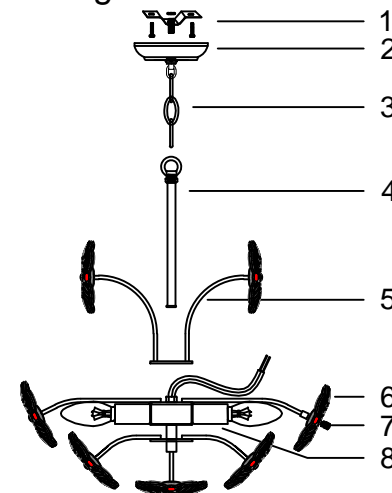
01/16/2026

2A. Lock the mounting bracket on the junction box of the ceiling by using 2 pcs of 5/32 screws in the accessories bag.

2B. Connect the wires. The positive (+) wire has writing on it, which labeled "L". The negative (-) wire has no writing, which labeled "N". The bare wire is the ground wire.

2C. Cover the ceiling canopy and attach the screws to the canopy.

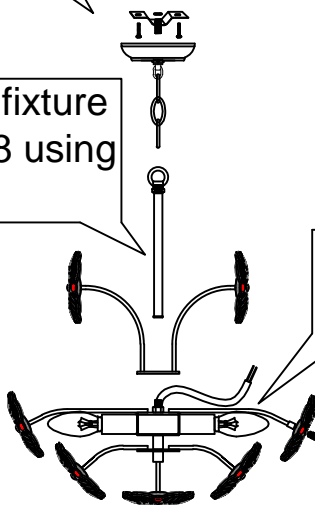
Please note: The parts in this table are completely unassembled, for illustrative purpose. In the actual product that you receive, some parts are assembled and attached together.



1. Fasten the light fixture part #5 and part #8 using part #4.

3. Install 6 E12 bulbs (Not included).

4. Fasten part #6 (the glass flower) using part #7. The glass flowers can be installed either frontward or backward.



Part Number	Picture	Quantity
1		1
2		1
3		1
4		1
5		1
6		25

Part Number	Picture	Quantity
7		25
8		1
Spare Parts		1
		2