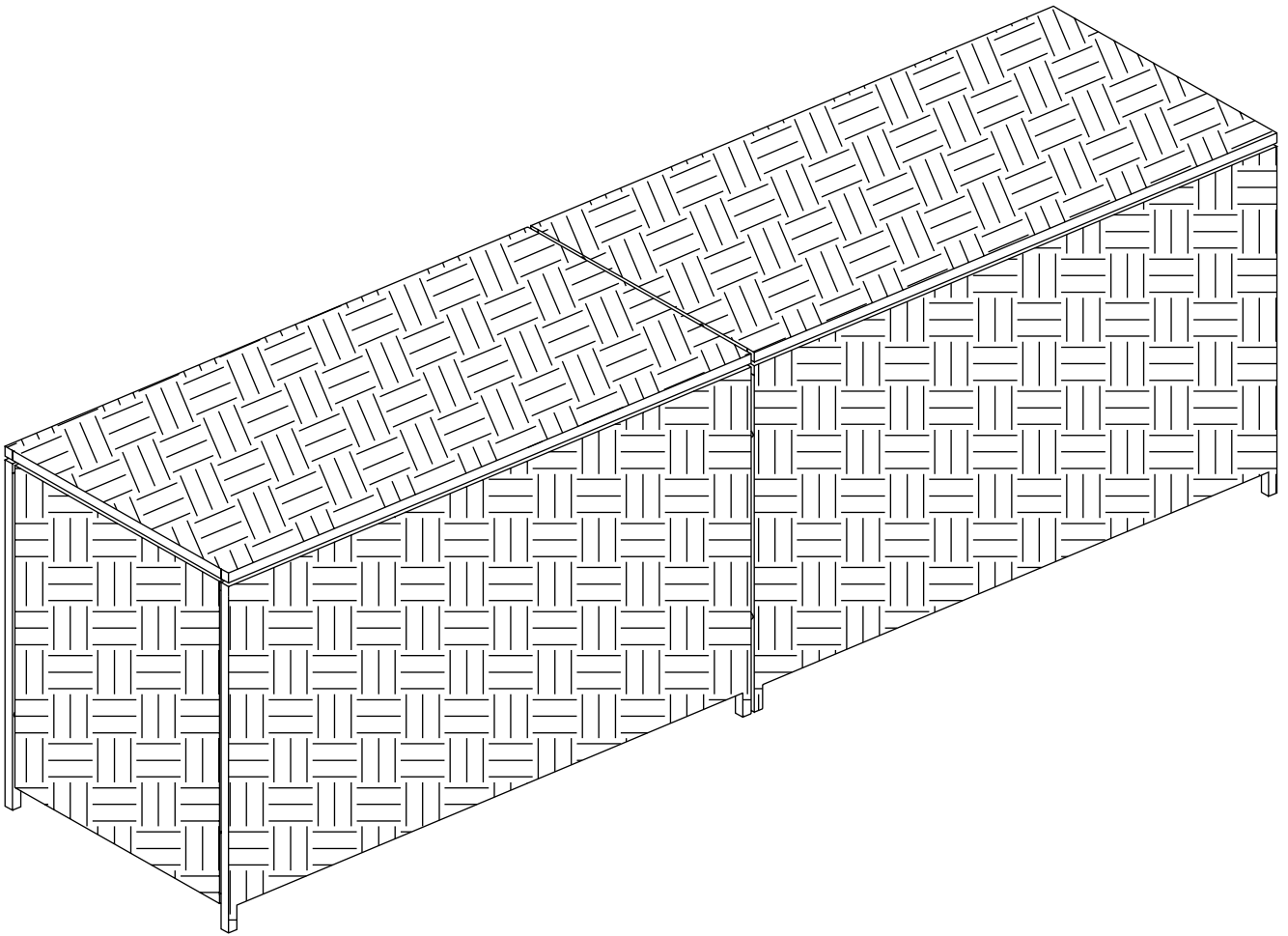
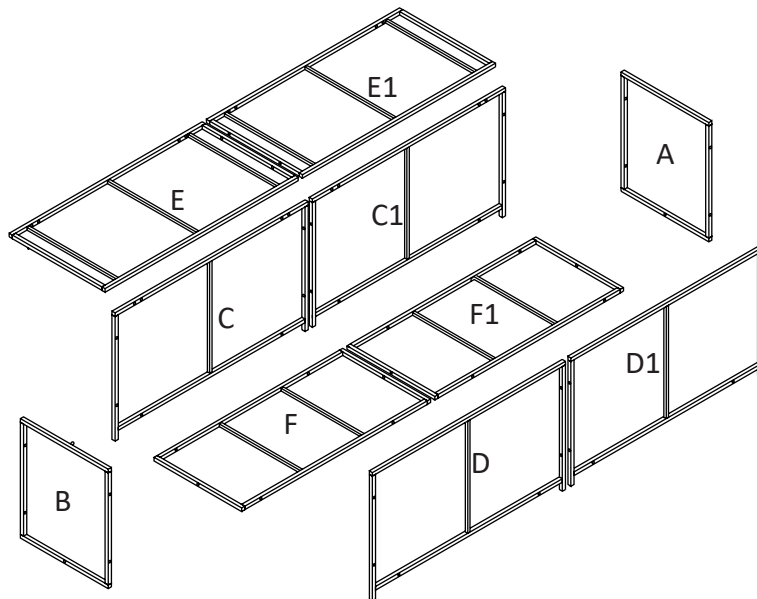


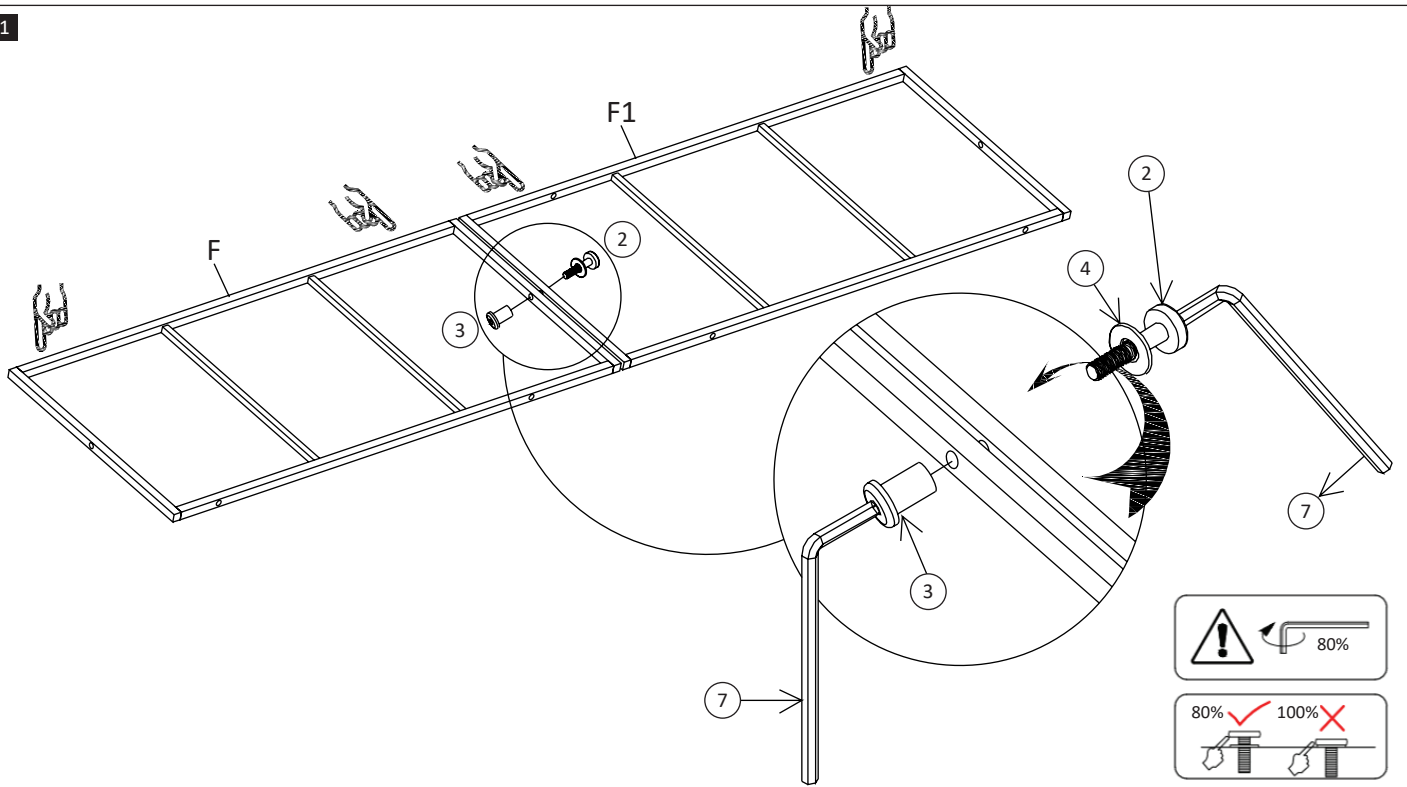
Installation & Assembly



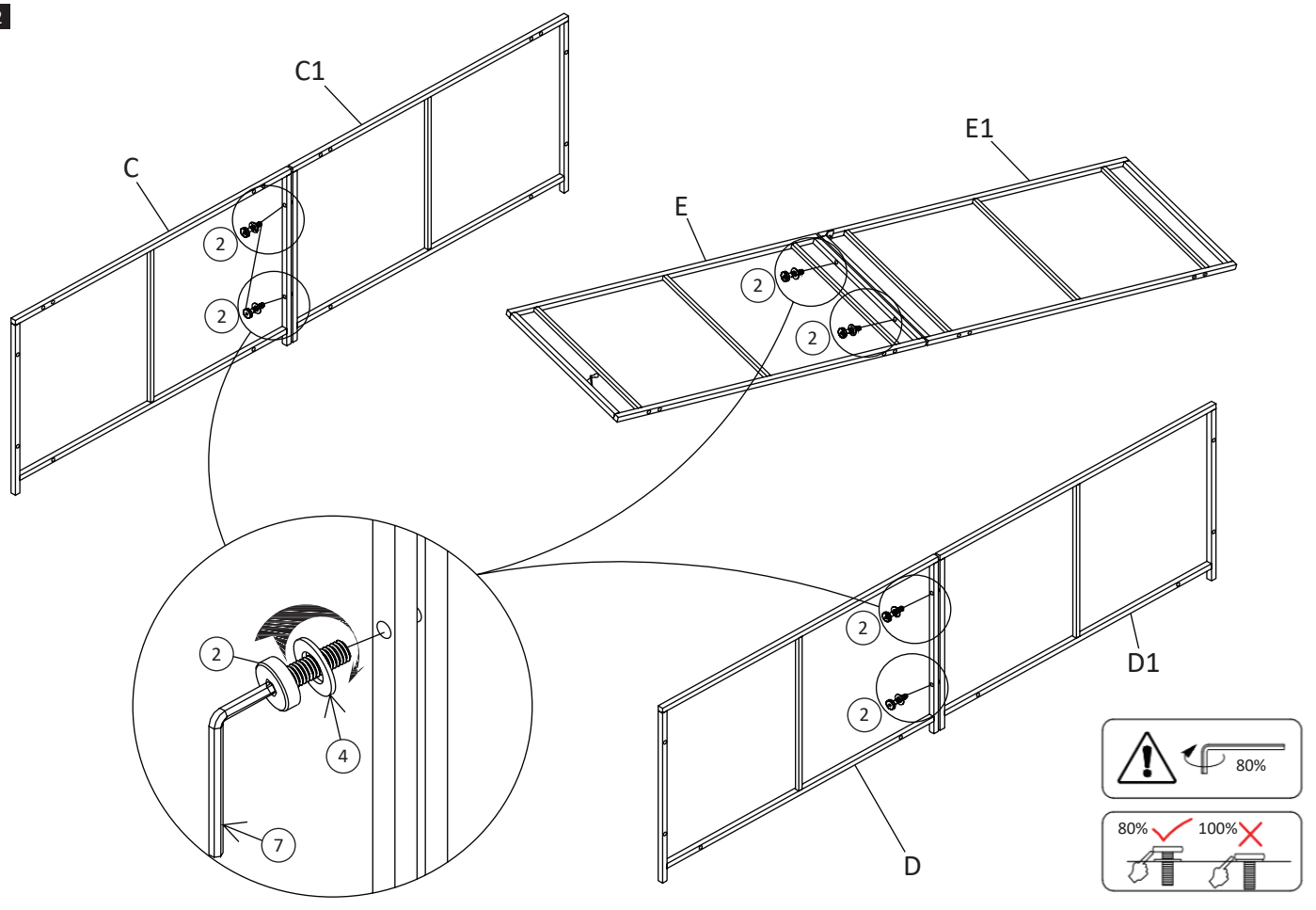
Ax1 	Bx1 	Cx1 	C1x1
Dx1 	D1x1 	Ex1 	E1x1
Fx1 	F1x1 	① x16 M6x $\frac{15}{0.6}$	② x25 M6x $\frac{30}{1.2}$
③ x1 M6x $\frac{15}{0.6}$	④ x41 M6x $\frac{16 \times 1.0}{0.6 \times 0.04}$	⑤ x4 	⑥ x1
⑦ x2 M4	⑧ x1 	 mm inch x2	



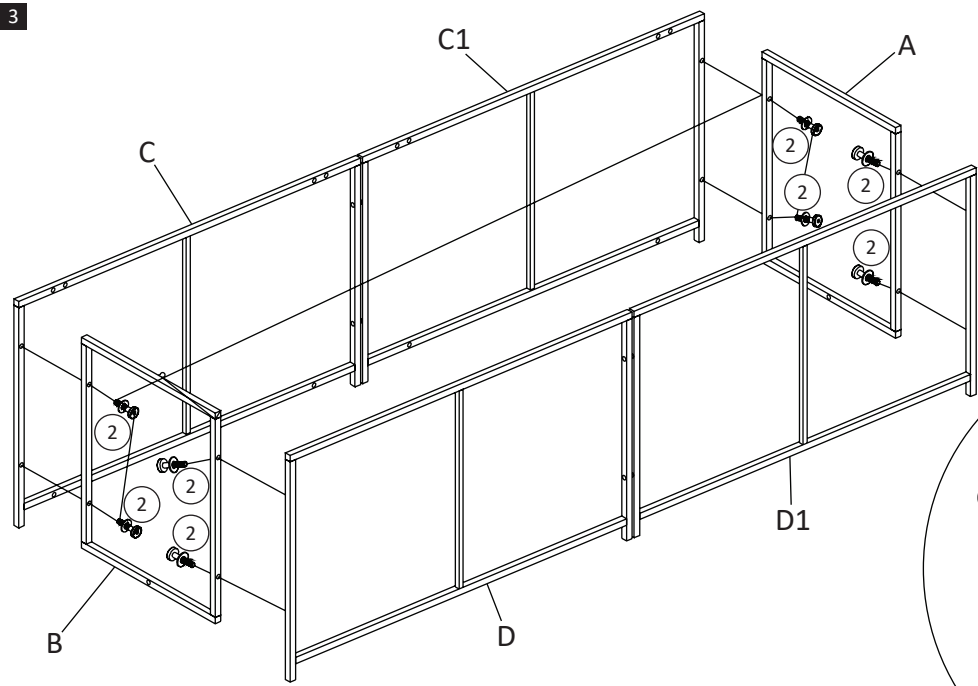
1



2

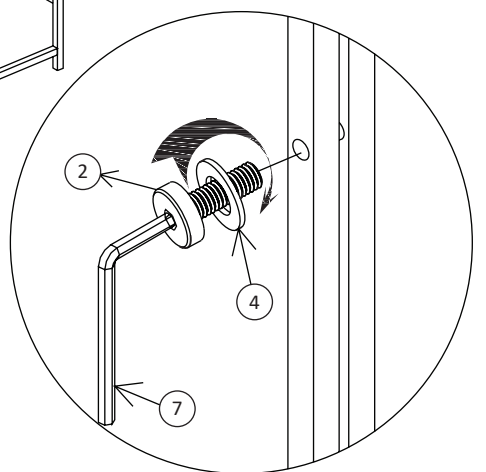


3

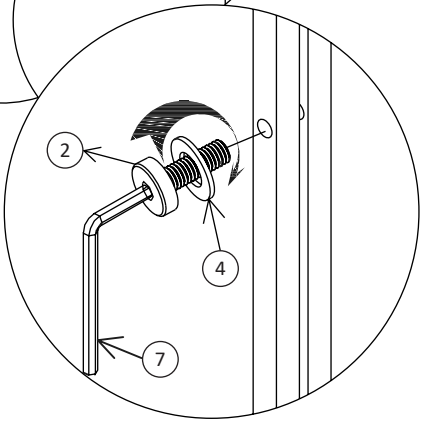
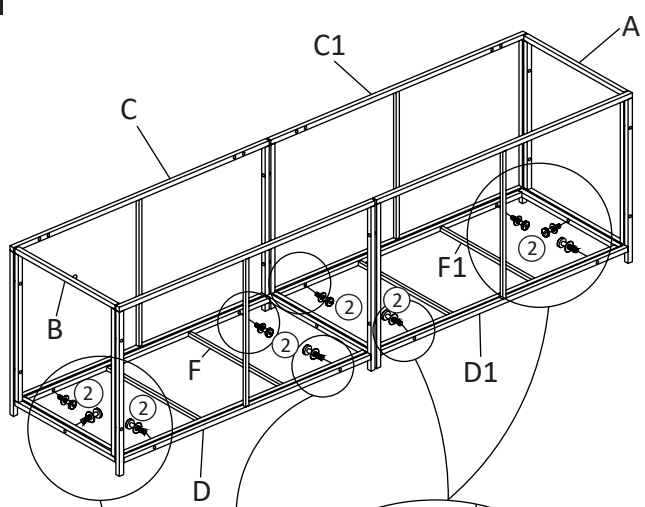


! 80%

80% ✓ 100% ✗



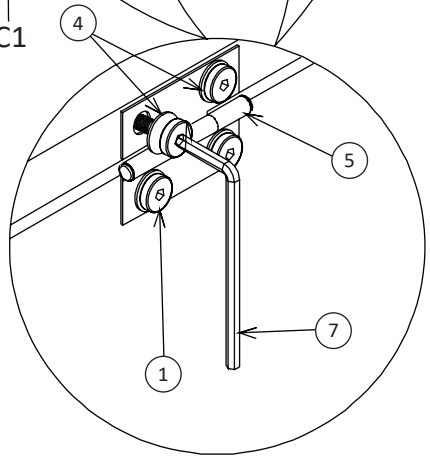
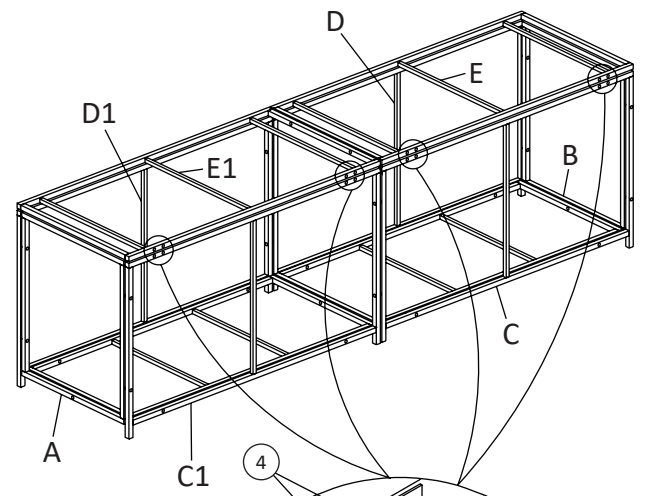
4



! 80%

80% ✓ 100% ✗

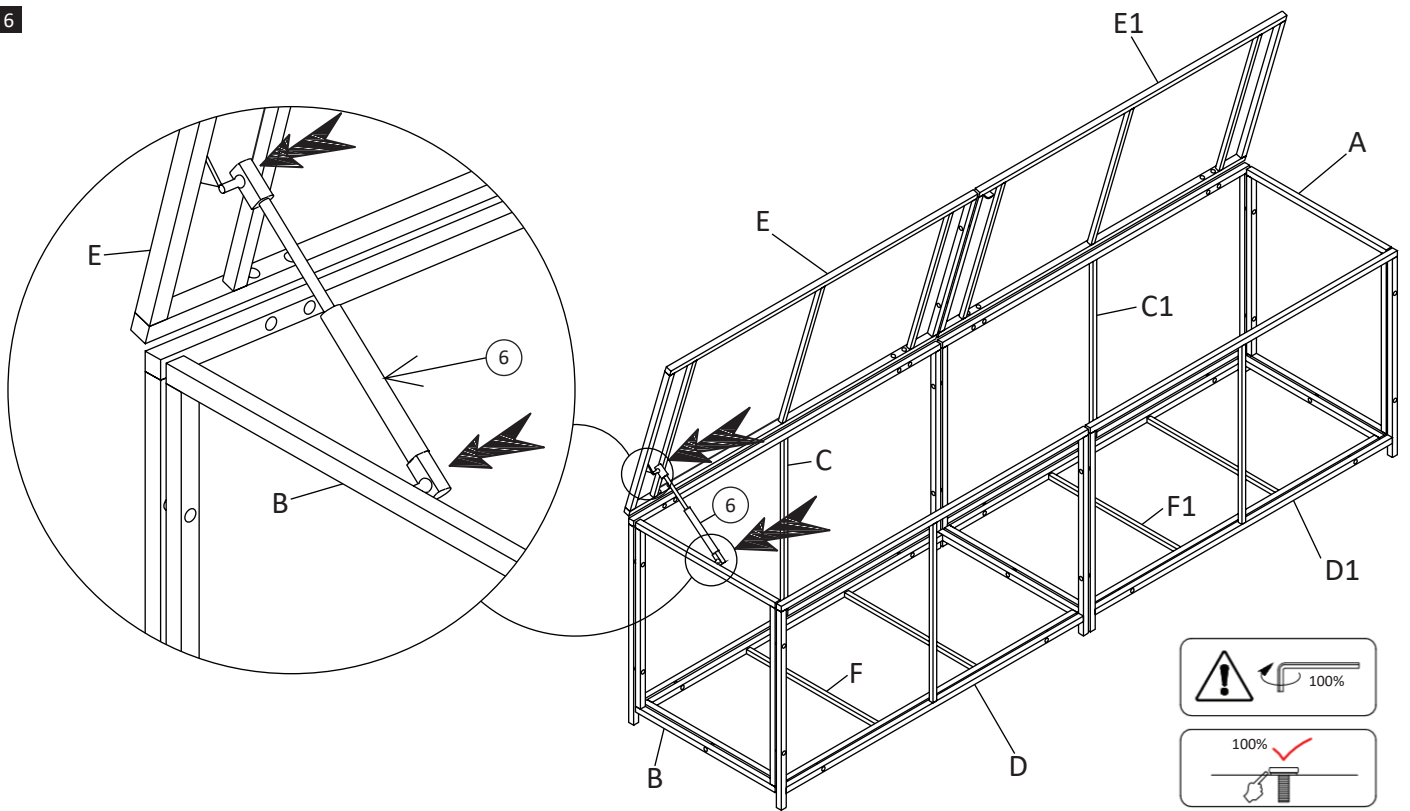
5



! 80%

80% ✓ 100% ✗

6



7

