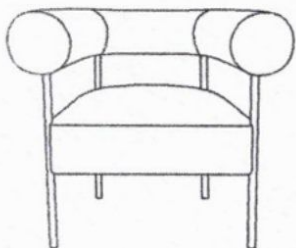


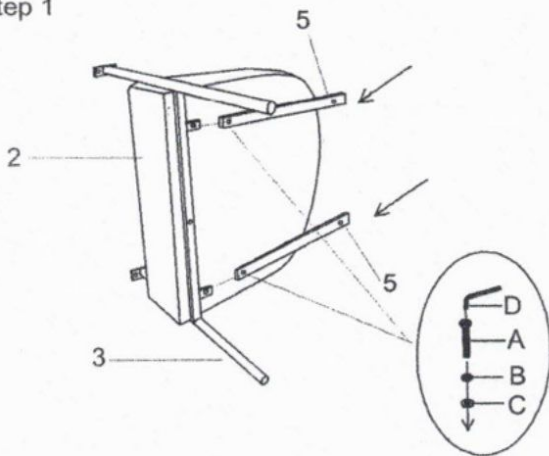
# ASSEMBLY INSTRUCTIONS



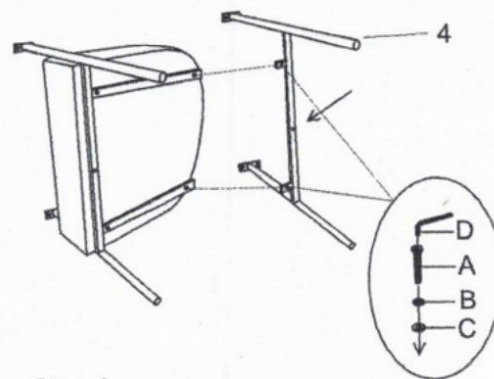
## PARTS LIST

NO.	DESCRIPTION	SKETCH	Q'TY	NO.	DESCRIPTION	SKETCH	Q'TY
1	Chair back		1PC	A	Bolt 1/4*1-1/2"		14PCS
2	Cushion		1PC	B	Spring washer 1/4		14PCS
3	Front frame		1PC	C	Flat washer 1/4		14PCS
4	Back frame		1PC	D	Allen wrench		1PC
5	Stretcher		2PCS				

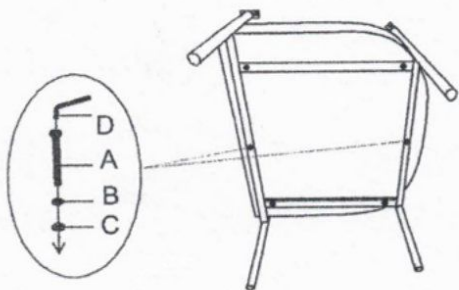
Step 1



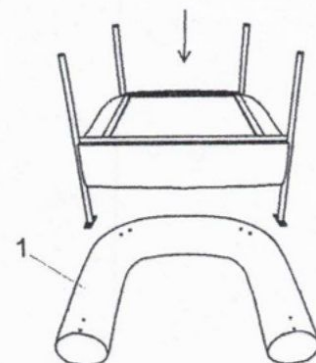
Step 2



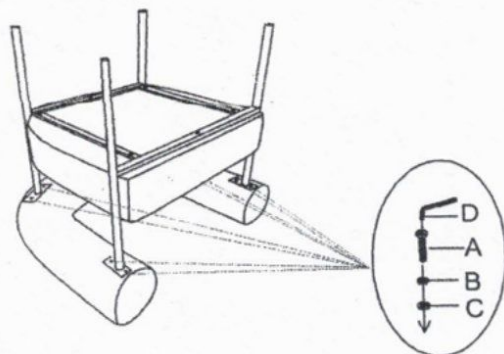
Step 3



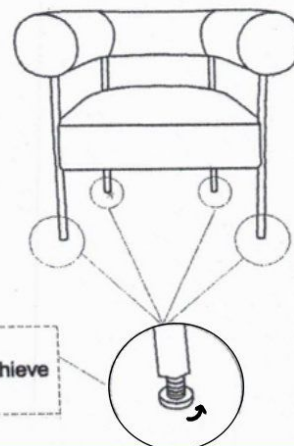
Step 4



Step 5



Step 6



Adjust Pre-installed Levelers height to achieve balance