



TOYS AND KIDFETTI NOT INCLUDED



User's Manual

Important Information — Please Read First

This manual includes important safety guidelines, as well as instructions for assembly, use, and maintenance. Please read all instructions carefully before using the product and keep this manual for future reference. To ensure your child's safety, it is essential to follow all directions as described.

Assembly must be completed by an adult who has read and understands these instructions.

If you are missing parts, have any questions or concerns please contact Customer Service. Customer Service contact information can be found on page 4.

IMPORTANT! - KEEP THESE INSTRUCTIONS FOR FUTURE REFERENCE

Table of Contents

Important Safety Information.....2

Parts and Features.....3

Assembly.....3

Contact Information.....4

Cleaning and Maintenance.....4

Important Warranty Information.....4

Important Safety Information:

 **WARNING**

ADULT ASSEMBLY REQUIRED - This product includes hardware that may have sharp points and small parts before assembly. These can cause cuts or pose a choking hazard to children under 3 years of age. Use caution when unpacking and assembling this product.

NEVER LEAVE CHILD UNATTENDED - Always supervise children during use.

DO NOT USE AS A CARRIER - The storage area is not designed to carry or transport children.

DISCONTINUE USE IF DAMAGED - Stop using immediately if the sensory table becomes damaged or broken.

DO NOT OVERFILL WITH WATER - Fill with water no more than halfway to prevent spills or instability.

DO NOT EXCEED WEIGHT LIMITS - Do not exceed 10 lbs of items or 25 lbs of sand in the storage bin. The maximum capacity is 10 lbs (1.36 kg) of Kidfetti® (sold separately) or 25 lbs (11.34 kg) of sand.

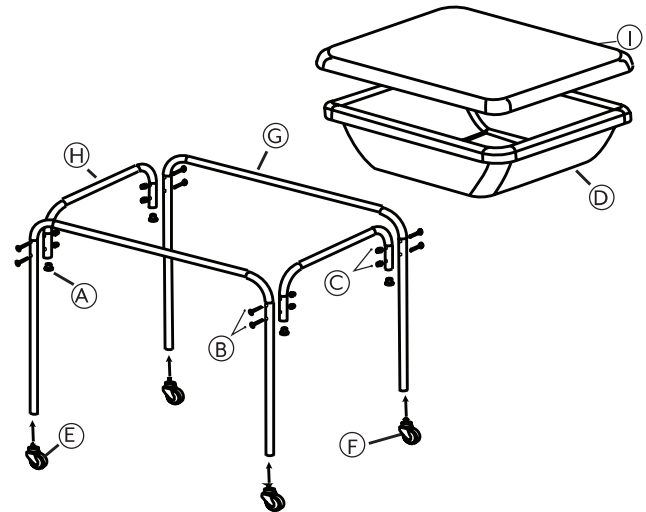
IMPORTANT! - KEEP THESE INSTRUCTIONS FOR FUTURE REFERENCE

What's Included

! Important: If you find that something is missing, please do NOT assemble. Contact Customer Service at 877.726.1696.

Customer Service hours: Mon-Fri 8am - 4:30pm CST.

Quantity	Part No.	Description	
A	4	RH0009	1" Tubing Cap
B	8	RH0418	1/4 x 20- 2" Screw
C	8	RH0419	1/4 x 20 Acron Nut
D	1	RM0011	Large Mixing Tub Red
E	2	RW0102	Non-Locking Caster
F	2	RW0103	Locking Caster
G	2	WSN0087	74" Side Rail Bent
H	2	WSN0088	33" End Rail Bent
I	1	WVM0031	Large Sensory Lid




Assembly Instructions:

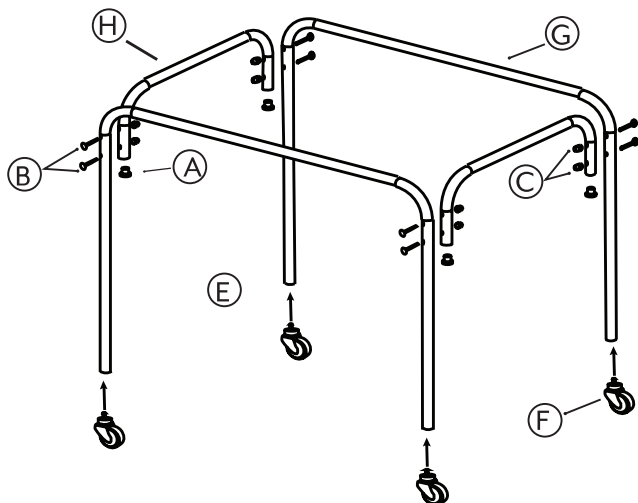
! Important: Adult Assembly Required- includes hardware that may have sharp points and small parts before assembly. These can cause cuts or pose a choking hazard to children under 3 years of age.

! Important: Only replacement parts supplied or recommended by the manufacturer/distributor should be used.

Step 1:

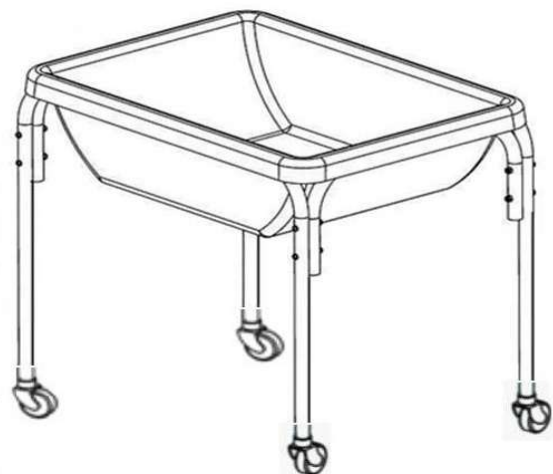
Attach the Side Rails (G) to the End Rails (H) as shown, using the screws (B) and nuts (C) provided. Make sure the nuts are positioned on the inside of the assembled frame. Once assembled insert Tubing Caps(A) into the ends of each End Rail (H). Insert Casters into bottom of Side Rails (G). Locking Casters in front and Non--locking in rear.

 **Tip:** Do not fully tighten the screws until all sides are connected, then tighten securely so all joints are snug. Not doing so may result in misalignment.



Step 2:

Place the Small Sensory Tub (D) onto your assembled frame, ensuring it sits evenly and securely in place.



WE ARE HERE TO HELP!

If you are not **100% satisfied** with your product, **PLEASE** reach out to us and we will address the issue immediately.
We want nothing less than the **BEST** experience for you!

 **877.726.1696**

 **CUSTOMERSERVICE@CHILDRENSFACTORY.COM**



Allow us the opportunity to help before considering leaving a review.

Your satisfaction is our mission!

THANK YOU FOR CHOOSING US!

HERE'S HOW TO KEEP YOUR PRODUCTS LOOKING FRESH AND CLEAN.

 **CHECK IT OUT (BEFORE FIRST USE)**

Before you assemble or use your Product, check your package to make sure you have all your parts and that your product was delivered without any damage.

 **CLEANING AND CARE**

SENSORY TABLES

Use a soft cloth and a mixture of mild non-abrasive soap and water. If outdoor you can use a hose. **Do NOT** use a power washer. **To disinfect** use a 5:1 water-to-bleach solution. Rinse thoroughly with clean water and wipe dry with a soft cloth. **Monthly maintenance:** Over time screws may loosen, check on a regular basis and tighten. Check for cracks in plastic, loose screws, and bent or broken frame parts. **Discontinue use immediately if found.** **STORAGE:** Items should be stored inside or in a dry covered area outside. Do not leave the Sensory Table exposed to heat such as in direct sunlight.

If the Sensory Table frame parts have been exposed to salt water we recommend that they be rinsed down with fresh (tap) water as soon as possible afterwards.

Important Warranty Information



Children's Factory, LLC warrants that its products are free from defects in materials and workmanship for a period of two (2) years from the date of purchase.

If a product fails to meet this warranty, Children's Factory will repair or replace it at our discretion.

To initiate a warranty claim:

- Contact the dealer from whom you purchased the product.
- Provide your original receipt and a detailed description of the issue.

We are dedicated to maintaining the highest quality standards and are continually working to enhance and improve our products for the benefit of educators, caregivers, and children.



SCAN to contact us