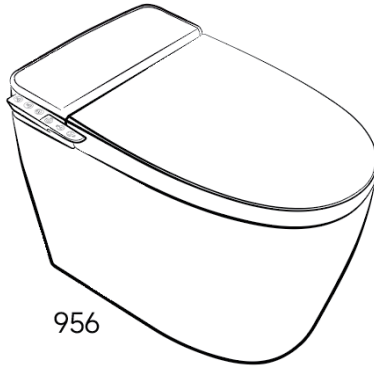
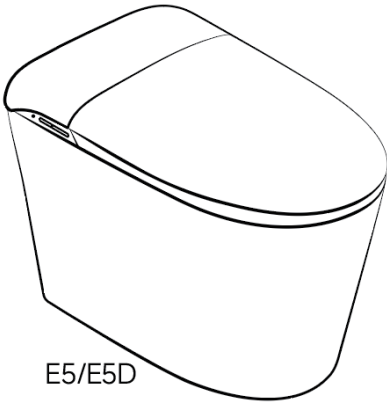




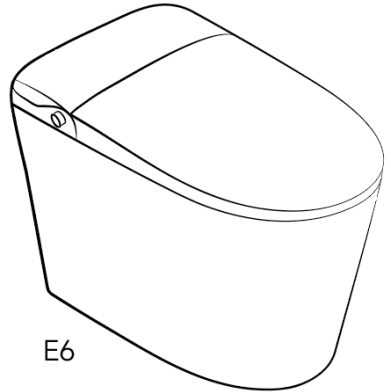
LOS FLEXI  
CRAFTING YOUR HOME STORY



956



E5/E5D



E6

## Smart Toilet

# INSTALLATION GUIDE

[www.losflexi.com](http://www.losflexi.com)

[cs@losflexi.com](mailto:cs@losflexi.com)

(+1) 662-502-5099

# SAFETY PRECAUTIONS

The following safety information is important for the safe and proper use of this product. Failure to follow these instructions may result in injury or reduce the product's service life.

PLEASE READ CAREFULLY BEFORE USE.

## Grounding Requirements.

Make sure the ground wire is properly connected to avoid electric shock or leakage. If no ground terminal is available, contact a professional electrician.



## Do Not Disassemble, Repair or Modify the Product without Permission.

It is easy to cause fire or electric shock, resulting in human injury. It must be repaired by professionals.



## Socket Location Requirements.

The installation height of the socket should be more than 31.5" above the ground and placed away from areas prone to water splashing.



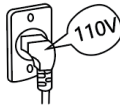
## Do Not Use Loose Power Sockets.

Do not damage, modify, bend, stretch, curl, bundle, or pinch the power supply. It is easy to cause electric shock or fire.



## 110V Power Voltage.

Please do not power on before water is connected, and do not use power supply other than 110V. Easy to cause fire.



## Do Not Touch the Power Socket with Wet Hands.

Danger of electric shock.



## Water Source Reminder.

Only use tap water to avoid skin irritation. (ensure cleanliness) Non-tap water can cause corrosion, leading to damage or electric shock.



## In Case of Lightning, Please Unplug the Power Plug.

Easy to cause accidents or failures.



### Do Not Pull or Bend the Connecting Pipe.

It is easy to cause water leakage or no water supply



### Do Not Expose to Fire.

The upper cover, seat ring, and seat cover are plastic parts. Do not place cigarette butts or other fire sources near them.



### Do Not Use Harsh Cleaners.

Do not use unsuitable cleaning agents (bleach, benzene, paint thinner, decontamination powder, cresol, etc.) on plastic parts.



### For Vulnerable User.

If the following people ( children, the elderly, patients, those with weak skin, people on sleeping pills or drinkers) use it for a long time, please set the seat temperature at the low level.



### Freezing Prevention Measures

#### 1. General Use: Automatic Heating

In cold winter, freezing water can damage the toilet. Keep the power plugged in to allow the system to automatically heat when the indoor temperature drops below 41°F.

※Failure to follow these precautions may result in malfunction.

#### 2. Long-Term Storage: Drainage and Freezing Protection

For extended periods of inactivity (e.g., business trips or vacations):

- 1) Close the water valve and flush to empty the tank.
- 2) Enable self-cleaning to drain residual water.
- 3) Loosen the water supply pipe and empty any remaining water.
- 4) Turn off the power.

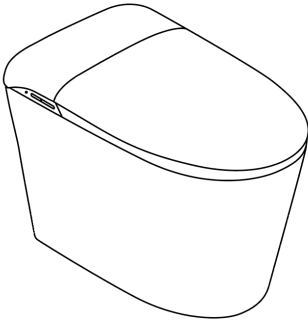
If stored in cold conditions, let the toilet thaw at room temperature for 30 minutes before reconnecting water and power. If freezing occurs, use a warm cloth to thaw the water supply hose.

※Avoid using hot water or blowing hot air on the toilet or its components.

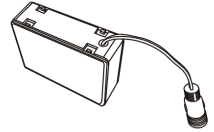
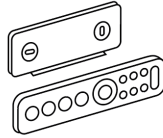


 <b>Attention</b>	Do not use the "high" or "medium" seat or heating/air temperature for long periods to avoid burn risks.
	For proper activation of the cleaning and drying functions, ensure you are seated with your skin in full contact with the seat sensor area.
	Do not direct urine onto the product body or nozzle to prevent dirt buildup and blockages.
	Do not use external switching devices (e.g., timers) to supply power, as this may lead to thermal circuit breaker issues.
	Do not use in bathrooms that are too damp or prone to water exposure to prevent internal water ingress, which could cause electric shock or fire.
	Keep the product away from direct sunlight or heating equipment to prevent discoloration.
	In the event of a power outage, unplug the power plug and close the corner valve to prevent water leakage.

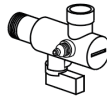
# PACKAGE LIST



Smart Toilet



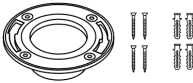
Backup Battery Box



T-Valve



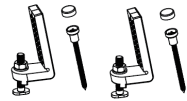
Water Filter



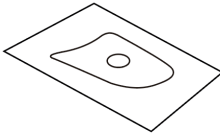
Flange



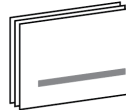
Wax Seal



Floor Mounting Kit



Installation Template



User Manual



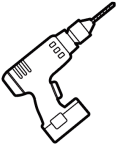
Instruction Guide

The package contents may vary depending on the product model.  
For detailed information, please refer to the specific model on [losflexi.com](http://losflexi.com).

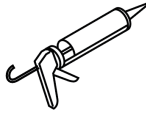
# SPECIFICATION

Model		E5	E5D	E6	956
Rated power		1380W			1050W
Rated voltage		110V/60Hz			
Wire length		5 feet			
Flushing mode		Jet siphon			
Waterproof grade		IPX4			
Water supply temperature		41-95°F			
Ambient temperature		32-104°F			
Water supply pressure		0.15Mpa (dynamic) ~ 0.75mpa (static)		0.15Mpa (dynamic) ~ 0.75mpa (static)	0.07Mpa (dynamic) ~ 0.75mpa (static)
Clean	Hip wash	Max. flow rate 0.75L/min		Max. flow rate 0.65L/min	Refer to actual product
	Female wash	Max. flow rate 0.85L/min		Max. flow rate 0.75L/min	Refer to actual product
	Water temperature	4 level room temp/about 93/99/104°F			4 level room temp/ about 95/99/104°F
	Heating power	1600W			1200W
Heated seat	Safety device	Water temperature sensor, overheat blocking, temperature fuse		Thermal cutoff, thermostat, temperature sensor	Thermal cutoff, thermostat, temperature sensor
	Seat temperature	4 level adjustment room temp/about 93/99/104°F			4 level room temp/ about 95/99/102°F
	Heating power	45W			40W
	Safety device	Seat temperature sensor, temperature fuse		Thermal cutoff, thermostat, temperature sensor	Thermal cutoff, thermostat, temperature sensor
Dry	Air dry temperature	4 level room temp/about 95/113/131°F			4 level F1/F2/F3/F4
	Heating power	270W		250W	40W
	Safety device	Fan locked rotor protection, overheating protection, temperature fuse		Thermal cutoff, Bimetal thermostat	Thermal cutoff, Bimetal thermostat

## REQUIRED TOOLS



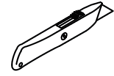
Drill



Silicone



Teflon Tape



Knife



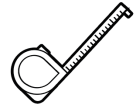
Pen



Wrench



Screw Driver

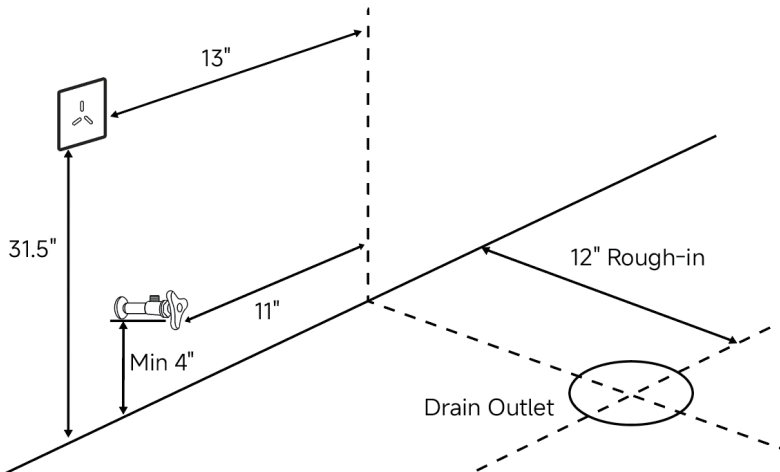


Measure Tape

## TOILET INSTALLATION

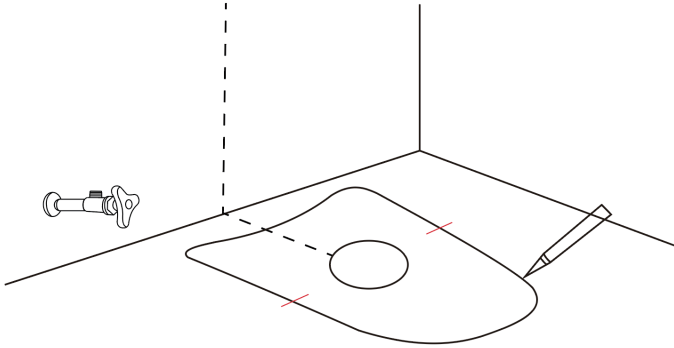
### 1. Before Installation

- Confirm that the wall and floor tiling around the toilet is complete.
- Ensure that the drain outlet, waterways, and circuits have been reserved.
- Inlet pressure range: 0.15 MPa (dynamic) - 0.75 MPa (static).
- Inlet water temperature range: 39°F - 95°F.

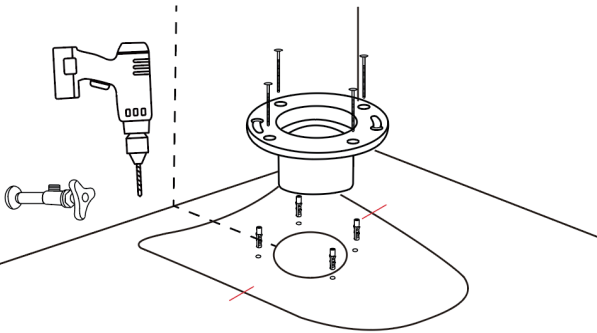


Tips: A shut-off valve is recommend.

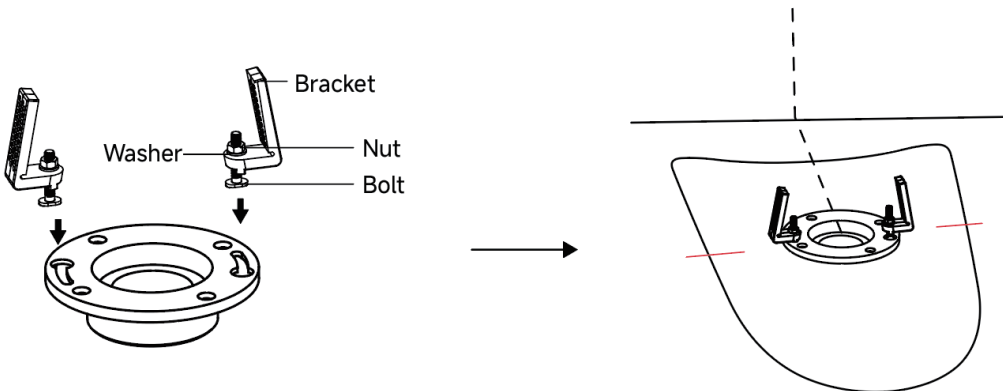
2. Align the installation template with the drain outlet and mark the outline for the installation position.



3. Install the flange as shown below.



4. Install the floor mounting kit as shown below.

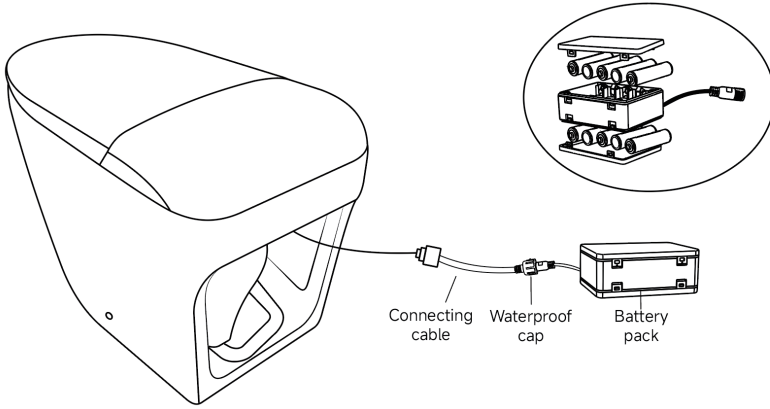


5. Connect the backup battery pack.

**Method 1:**

- Place ten AA batteries (not included) into the backup battery box.
- Then, connect the battery pack to the cable at the back of the toilet and secure it with the waterproof cap.
- Place the battery pack in an accessible location for easy replacement.

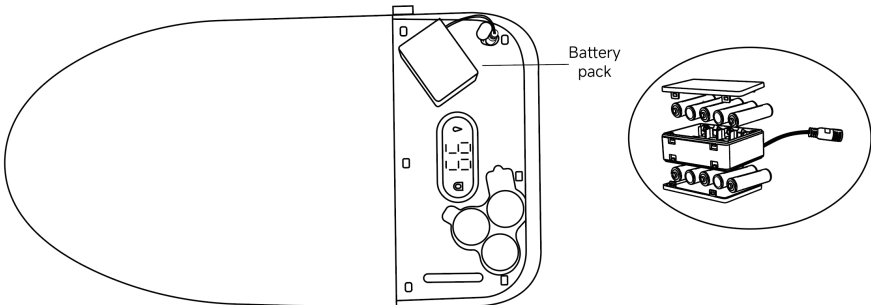
Note: The inclusion of a waterproof cap varies by model.



**Method 2:**

- Place ten AA batteries (not included) into the backup battery box.
- Carefully remove the toilet lid cover.
- Connect the battery pack to the top of the lid.

Note: The backup battery is for flushing only during a power outage.  
It is not required when the toilet is powered on.



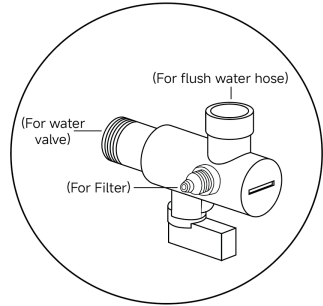
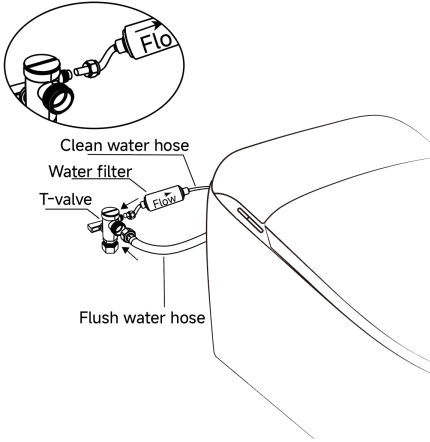
All diagrams are for reference only.  
Please refer to the actual model received.

6. Connect the water supply line and filter.

Method 1:

- Connect the supply line to the 3/8" inlet on the T-valve.
- Remove the nut from the T-valve, then attach the filter to the T-valve as shown below.

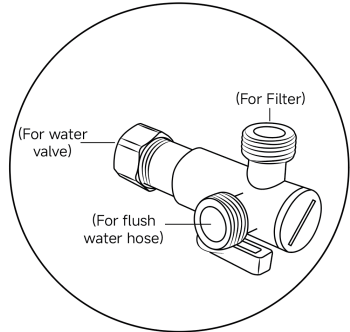
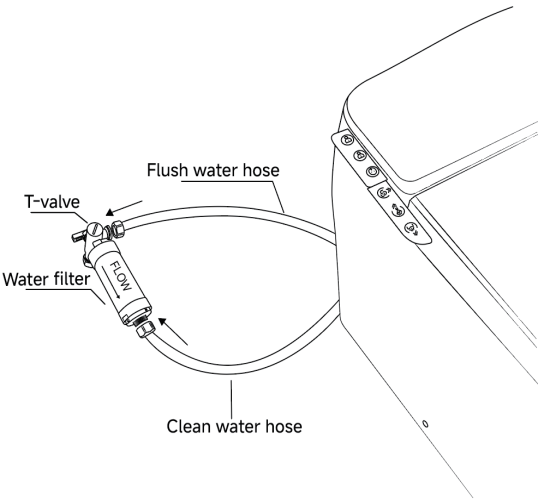
Note: Ensure the filter's flow direction is correct.



Method 2:

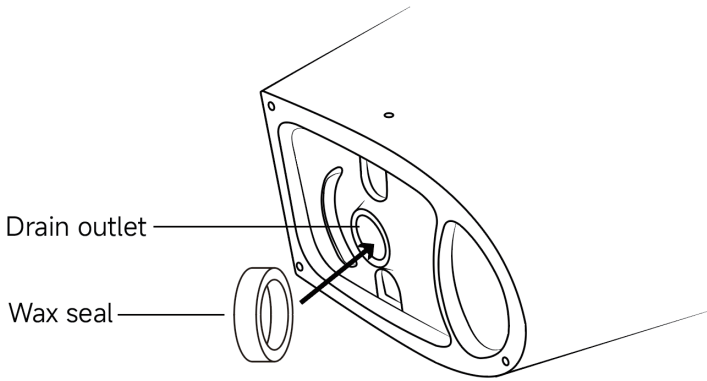
- Connect the supply line to the 3/8" inlet on the T-valve.
- Connect the filter to the T-valve as shown below.

Note: Ensure the filter's flow direction is correct.

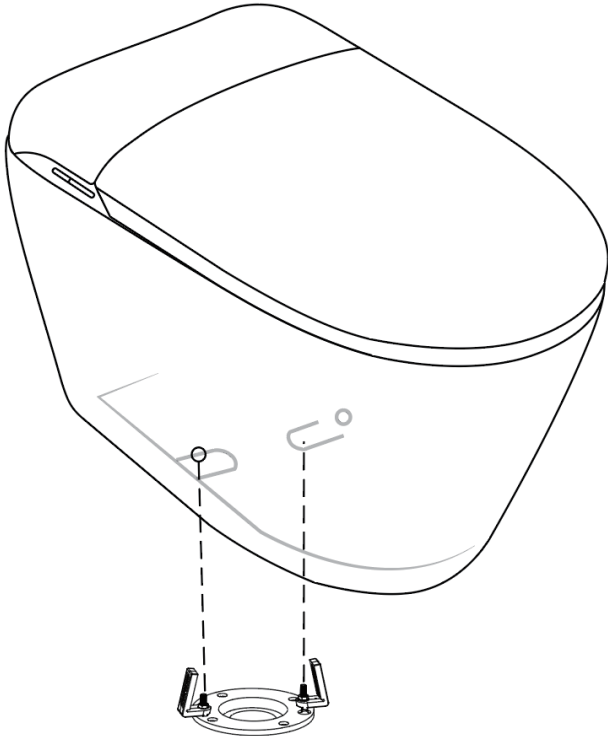


All diagrams are for reference only.  
Please refer to the actual model received.

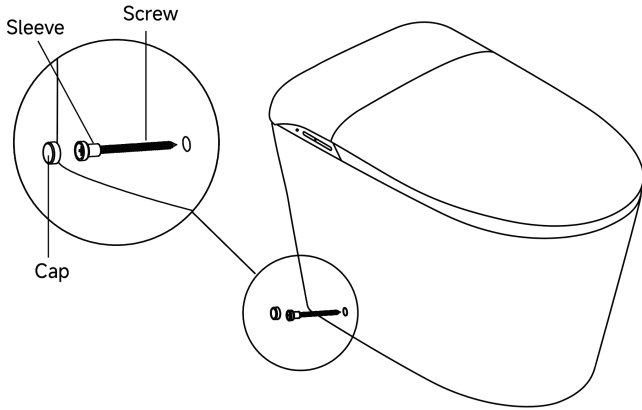
7. Place the wax seal.



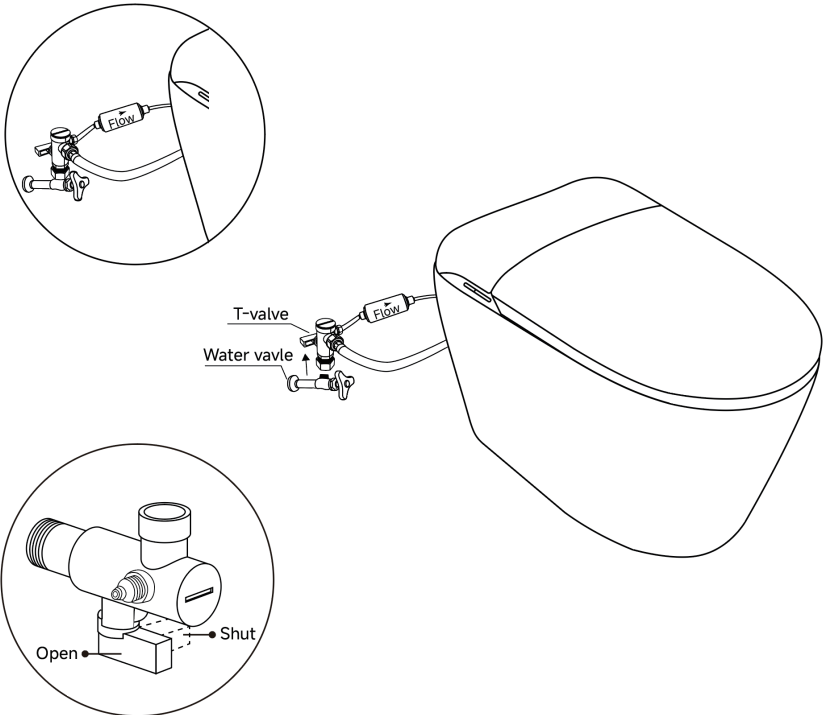
8. Apply weight evenly.



9. Insert the screw through the fixing sleeve and secure it into the bracket on the ground. Then cover with the provided cap.

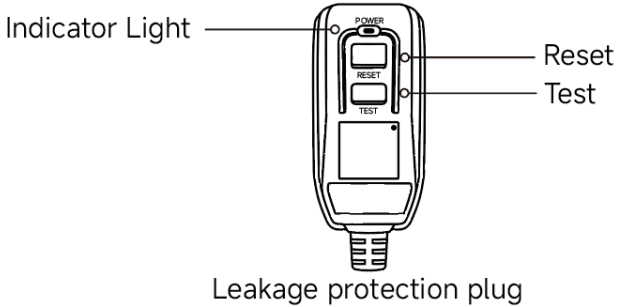


10. Connect the T-valve to the water valve. Do not overtighten.



### Activate the toilet

Plug the power cord into the 110V waterproof socket, ensuring it's connected and grounded. Press the reset button to start the toilet and check that the plug indicator light is on.



### Toilet Testing:

- Once the toilet is powered on and the remote control is loaded with batteries, activate all functions to ensure proper operation.
- Test the flushing function to confirm it works correctly.
- Press the sensor area on the toilet seat ring to check if the cleaning and drying functions work properly.
- Press the remote control buttons to verify the start/stop functions.
- If the remote control is unresponsive, check if the batteries are properly installed in the back.

**Note:** For remote control holder installation, please refer to PAGE 13.

### Toilet Fixing:

- Once all functions are confirmed to be working, fill any uneven areas with a filler to prevent the toilet from wobbling.
- Ensure there are no foreign objects or water stains on the floor. Then, apply silicone to the bottom of the toilet where it contacts the floor.
- Do not move or use the toilet for 48 hours after fixing.

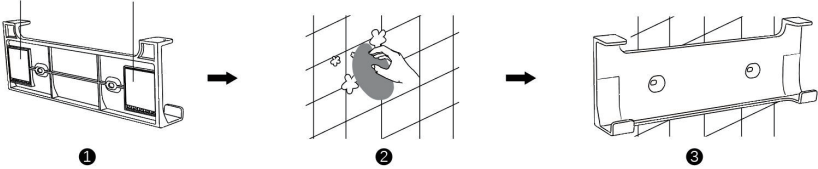
# REMOTE CONTROL INSTALLATION

## Method 1:

- Peel off the protective layer from the double-sided tape on the remote holder.
- Clean the wall surface thoroughly, removing any dust, grease, or water droplets.
- Press the remote control holder with tape onto the wall for a secure attachment.

Note: The method is applicable to glazed tiles, glass and smooth wall.

### Double sided tape

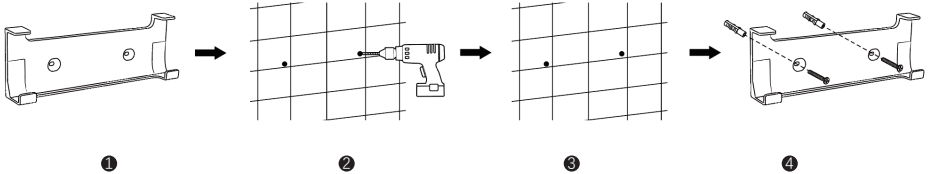


## Method 2:

- Drill two holes in the wall.
- Insert the expansion plugs into the wall and secure the remote control holder with screws.

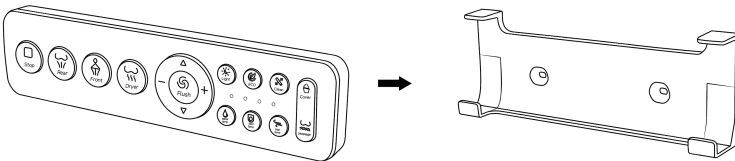
Note: Expansion plug and screws are not included.

Ensure the hole position allows easy access to the remote control while sitting.



Put the remote control on the fixed base after installing the battery.

Note: Two AAA batteries is needed (not included).



## Remote Control Battery Replacement:

When the remote control battery is low, the LCD display may dim or turn off.

Replace the battery as follows:

- Open the battery compartment on the back of the remote control.
- Replace with two new batteries.(Two 1.5V AAA Alkaline battery).

## Battery Safety Notes

- Ensure the battery polarity (+ / -) matches the markings inside the compartment.
- Do not mix new and old batteries.

# LIMITED WARRANTY COVERAGE

## ONE YEAR LIMITED WARRANTY

Los Flexi products are crafted with superior materials and impeccable workmanship, offering our customers reliable and long-lasting products. If defects in materials or craftsmanship are detected under standard use within the first year of installation, Los Flexi will either supply replacement parts at no charge or, if deemed necessary, replace the product or its parts. This warranty is exclusive to the original purchaser, and proof of purchase is mandatory for any claim.

- This Warranty Will Be Voided If:
- The product's installation did not follow our recommendations.
- The product was relocated from its initial installation site.
- The product underwent any modifications from its original condition.
- The product suffered from neglect, misuse, chemical overuse, accidents, or any other damages.

Los Flexi does not imply that our products adhere to local building or plumbing codes. Consumers must ascertain local code compliance before and during installation. This warranty is strictly for the original purchaser and first consumer.

Los Flexi won't be held responsible for any consequential damages linked to the product's installation, replacement, return, or usage. This includes, but is not limited to, freight charges, labor, downtime, home damages, and other associated costs (e.g., professional services, investigations, audits, legal fees).

This Los Flexi warranty clearly delineates our liability. Items not specified in this warranty fall outside Los Flexi's responsibility. In states with variations concerning implied warranties, our compliance is ensured.

For any queries or concerns, feel free to reach out to us at

Email: [cs@losflexi.com](mailto:cs@losflexi.com)  
Phone: (+1) 662-502-5099  
Site: [www.losflexi.com](http://www.losflexi.com)

Scan for the High-resolution Installation Guide

