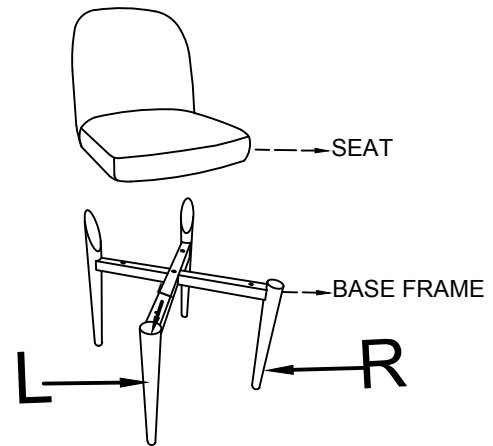
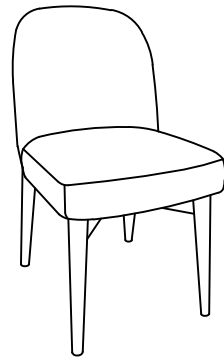
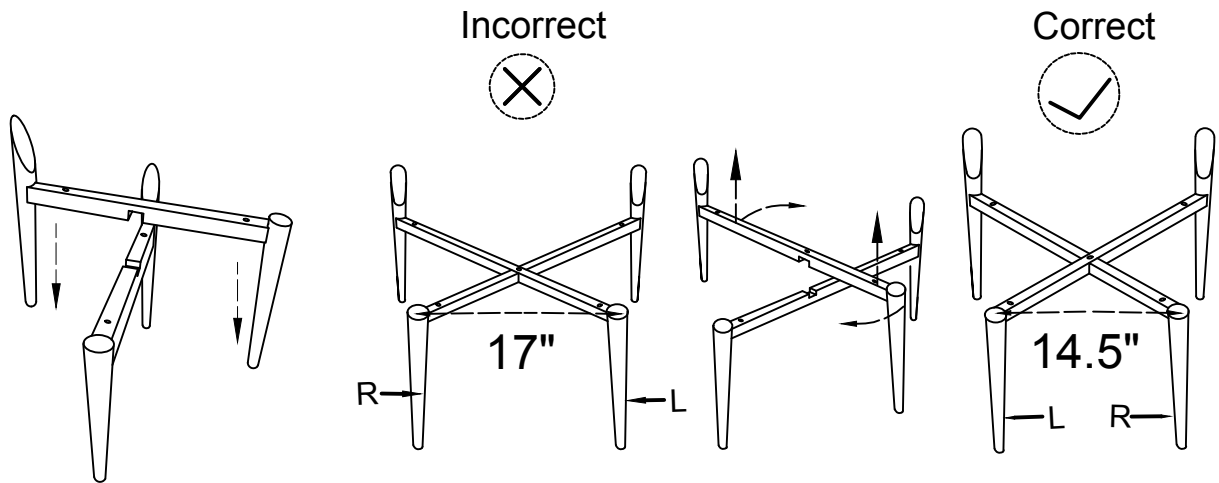


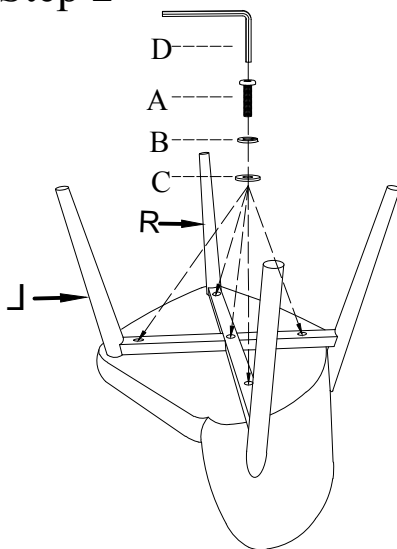
ASSEMBLY INSTRUCTIONS



Step 1

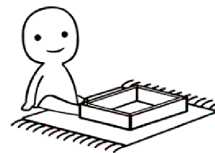
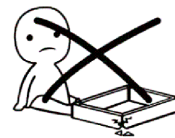


Step 2



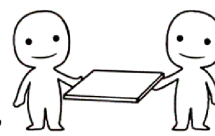
IMPORTANT INFORMATION!

please read the entire manual before starting to assemble and/or using this product. follow the manual thoroughly and keep it for further reference.



AVOID SCRATCHES!

In order to avoid scratching this furniture should be assembled on a soft layer—could be a rug.



IMPROVE EFFICIENCY!

Try to find a partner to install with you, which can speed up the installation efficiency and shorten the time.

HARDWARE LIST

A		Bolt (Ø1/4"*1 3/4")	5pcs	C		Lock Washer (Ø1/4")	5pcs
B		Flat Washer (Ø1/4"*Ø3/4")	5pcs	D		Allen Wrench (4mm)	1pc