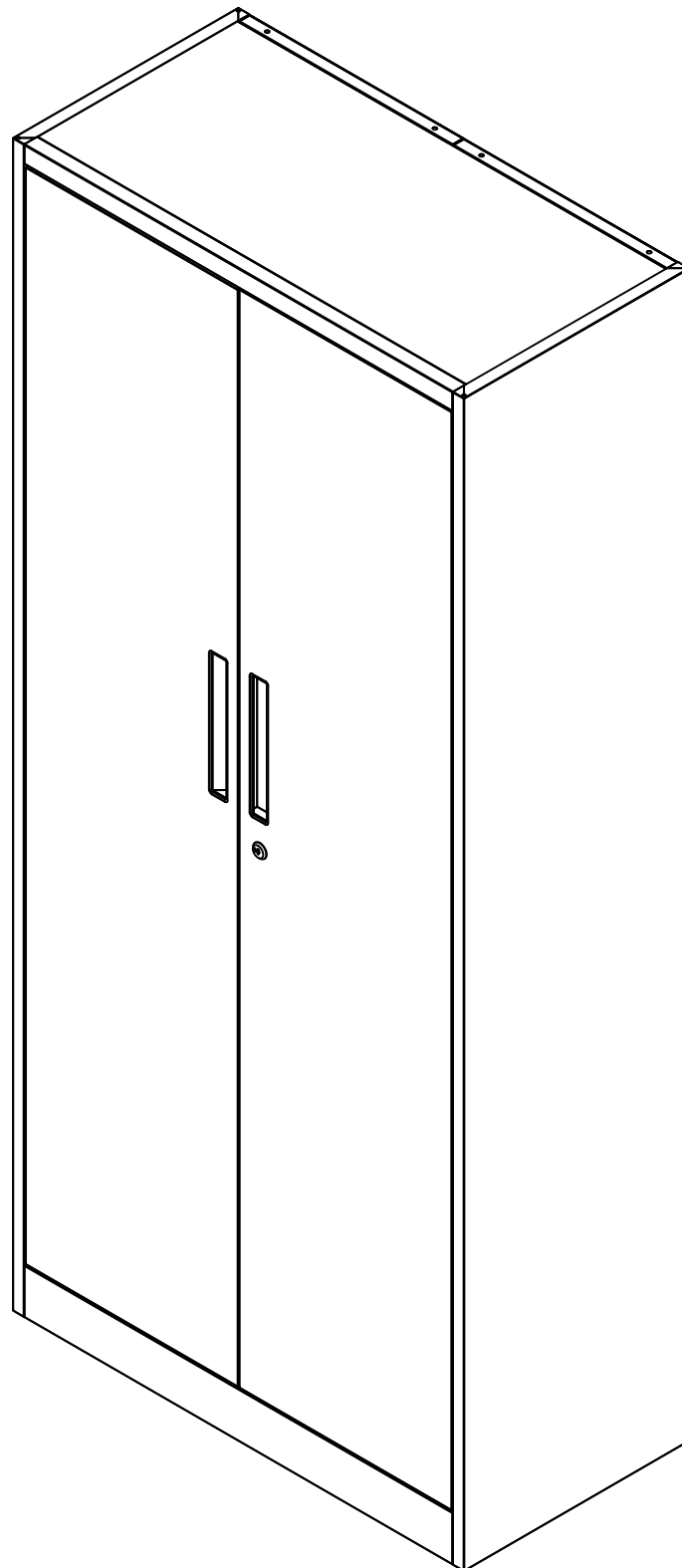
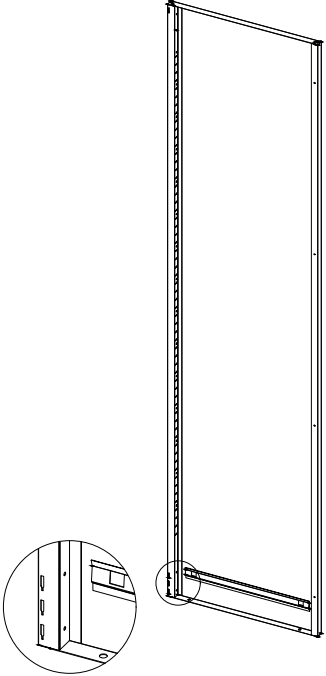
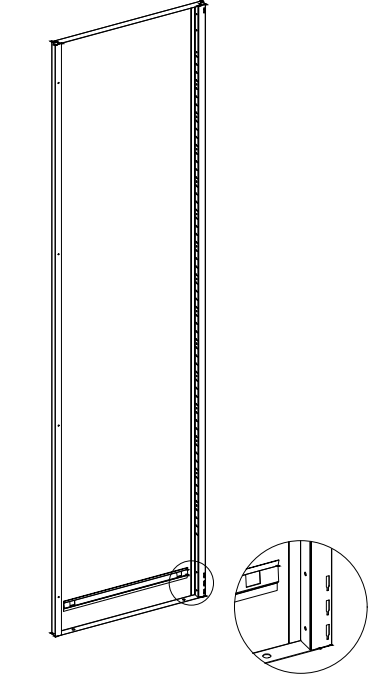
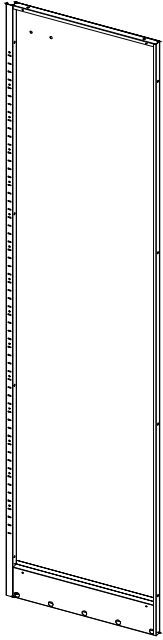
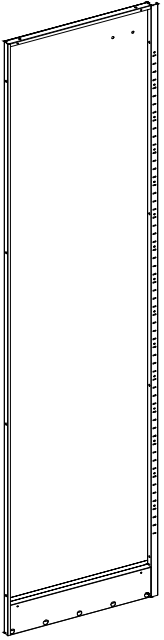
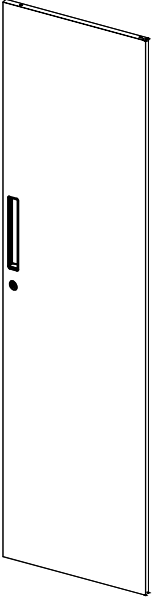
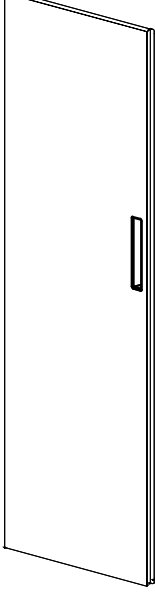
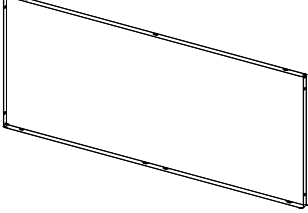
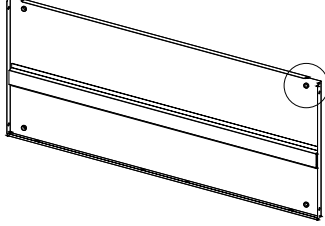
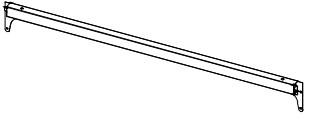
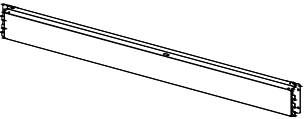
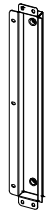
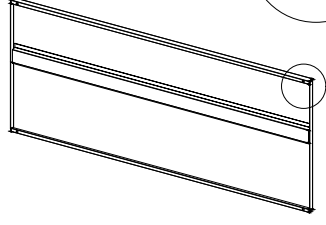
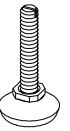


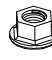

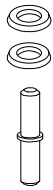

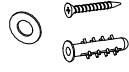

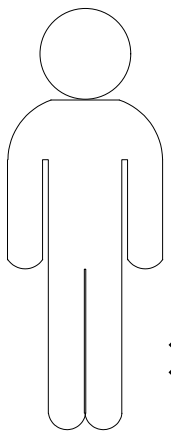
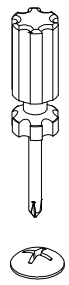
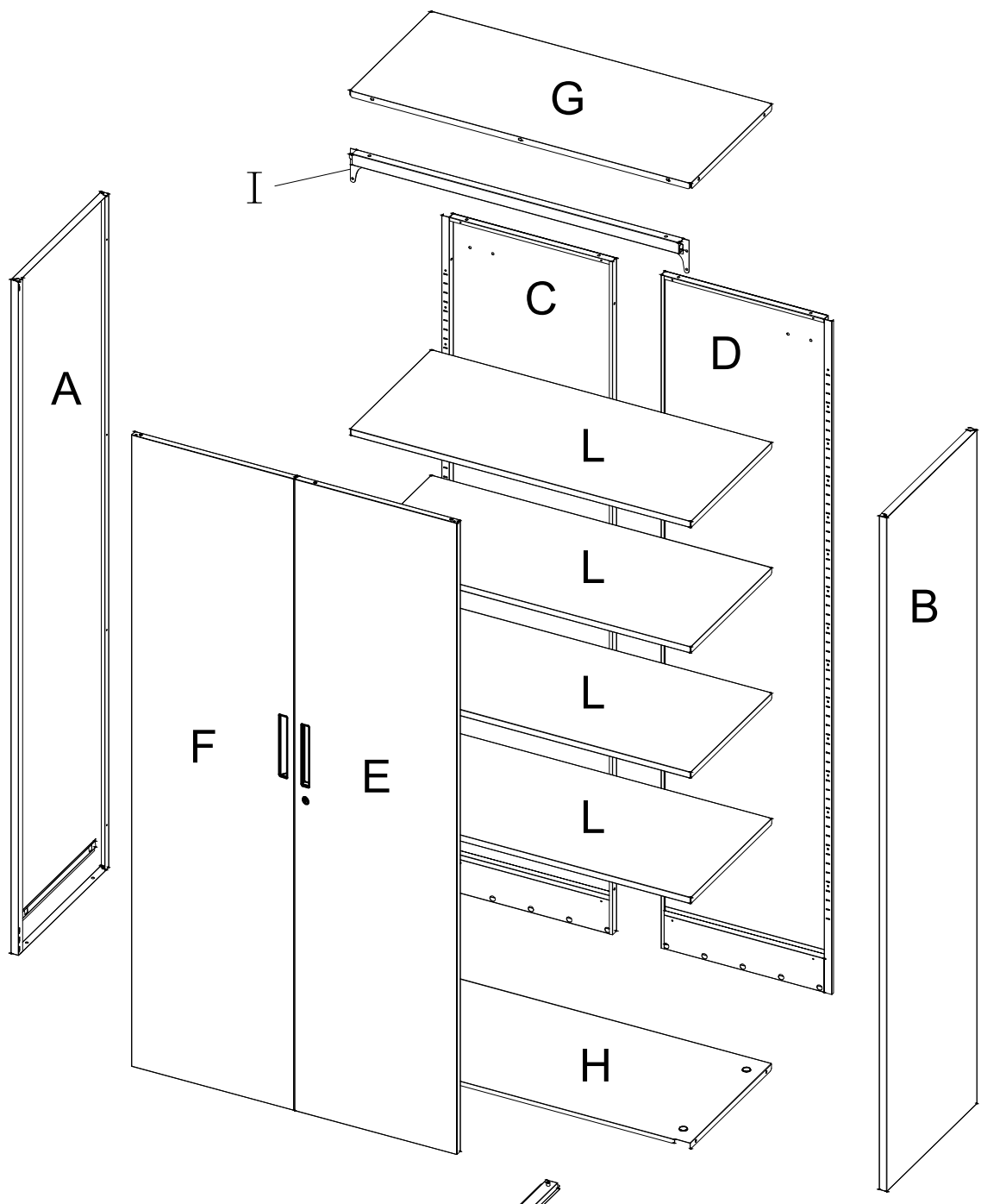


Installation & Assembly



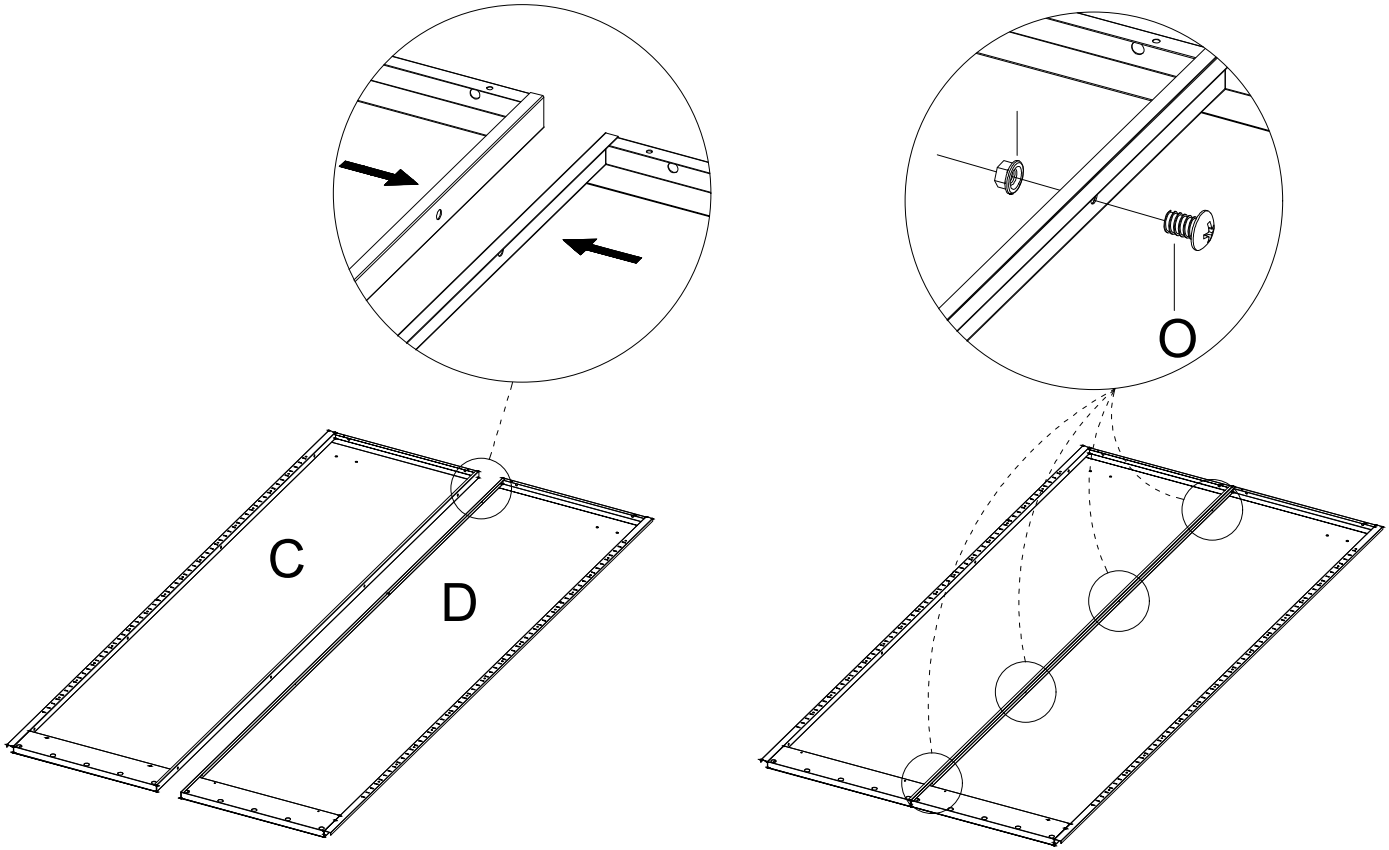
A×1 		B×1 		C×1 		D×1 		
E×1 		F×1 		G×1 				
				H×1 				
I×1 		J×1 		K×2 		L×4 		
M×4 	N×41 	O×4 	P×4 	Q×16 	R×2 	S×4 	T×2 	U×2 
								Standby Application



x2

1

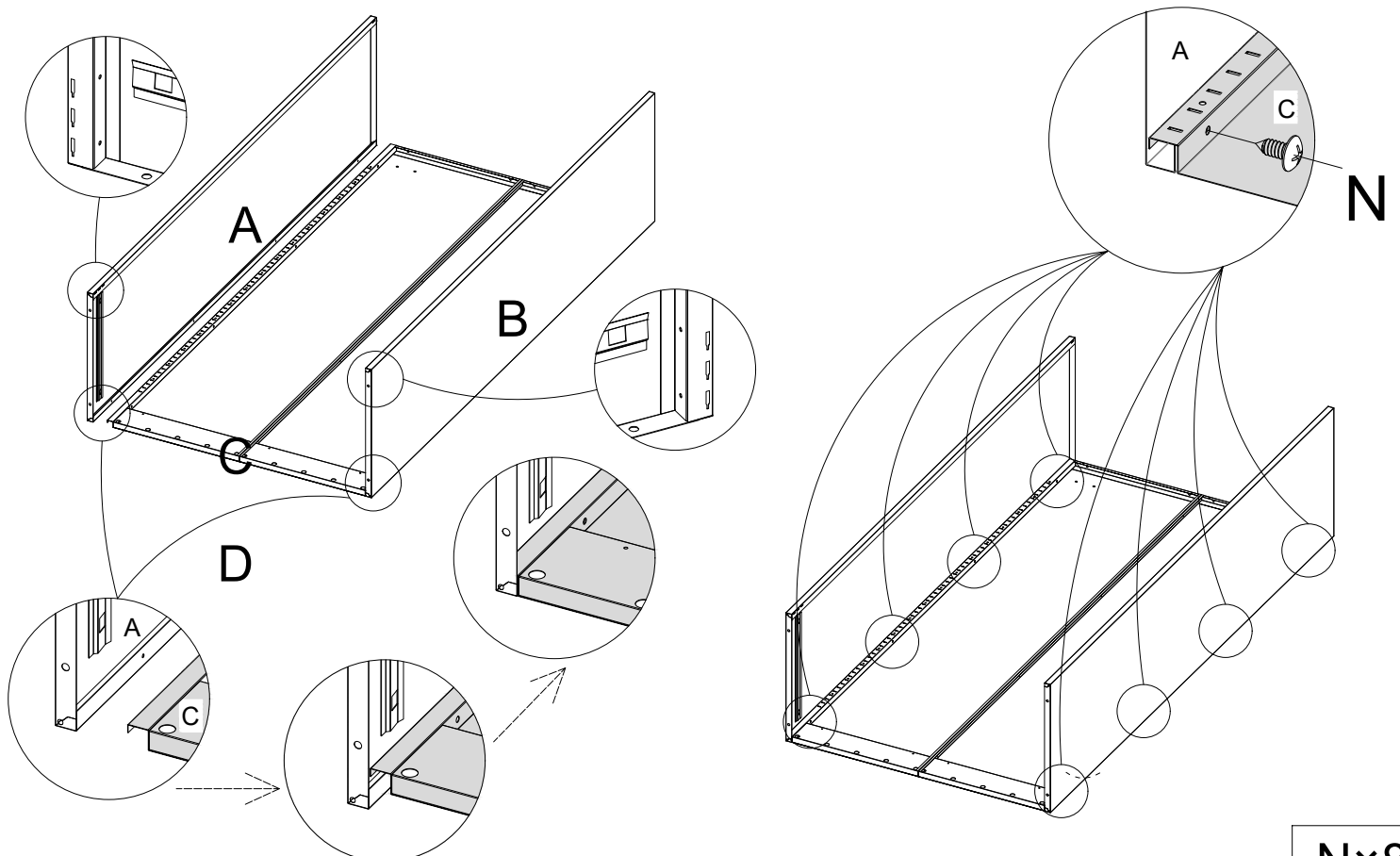
Put the two rear walls together and put four bolts and nuts to hold them in place.



Ox4 Px4

2

Simply overlap each sidewall in the channel of the rear wall and put four screws on each side to hold them in place. Note that Part A is on the left side and Part B is on the right side. If they are misplaced, it will affect the assembly

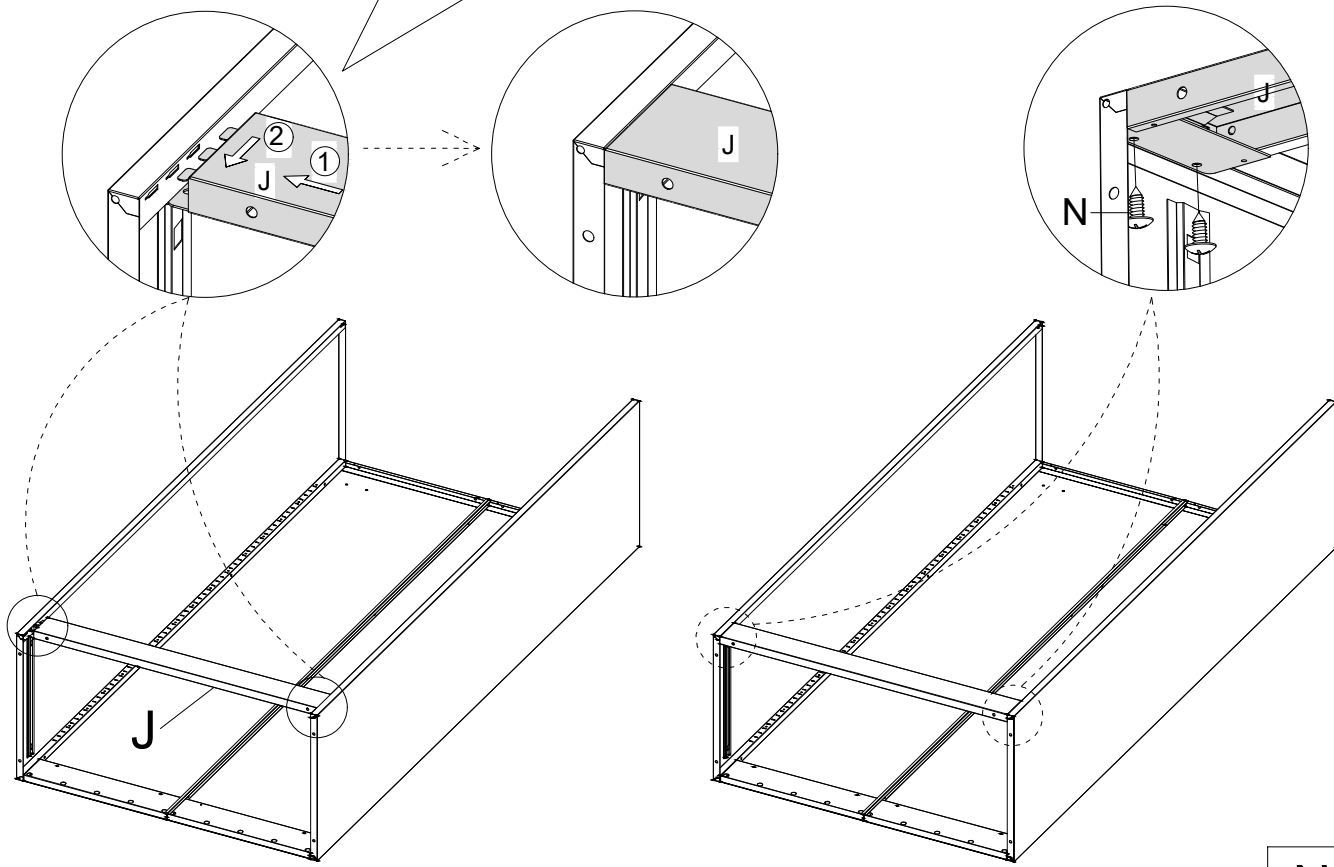


Nx8

3

Snap the three buckles on either side of Part J into the three holes in both side panels and then push it down so that it snaps into the bottom of the cabinet.

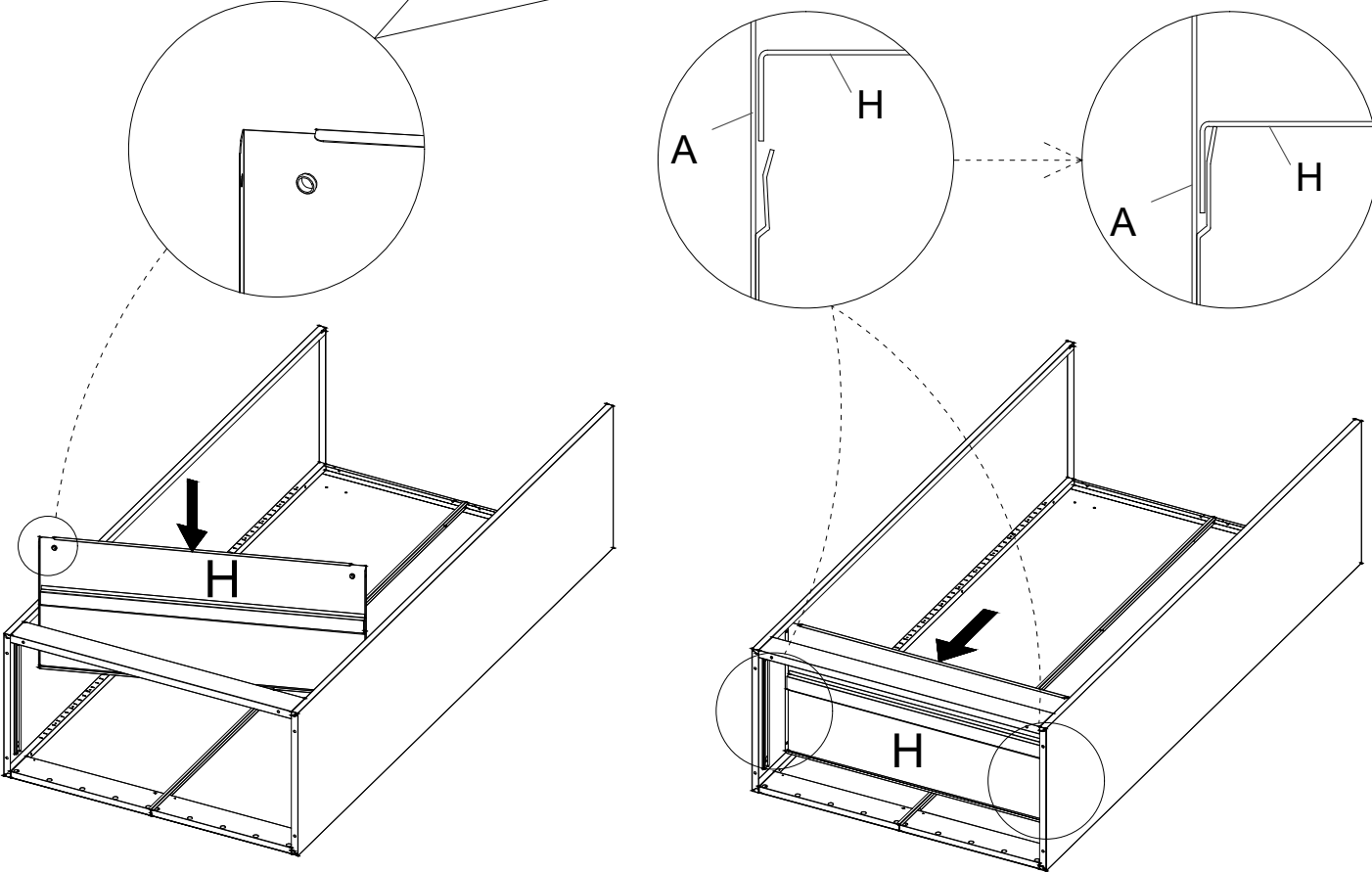
Screw in four screws from the back of Part J (inside the cabinet).



N×4

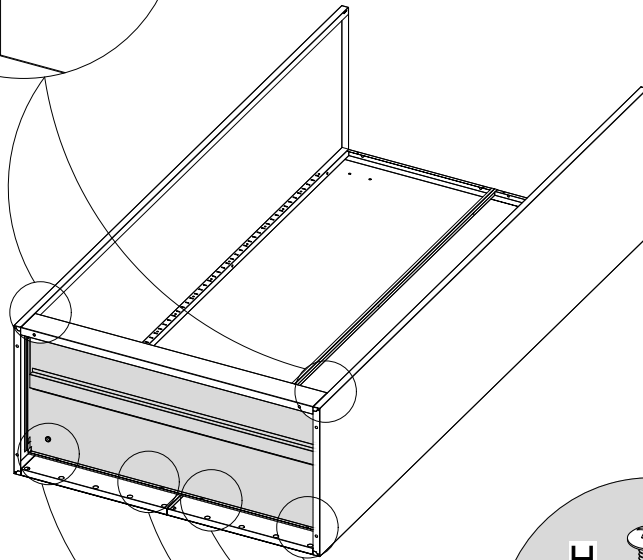
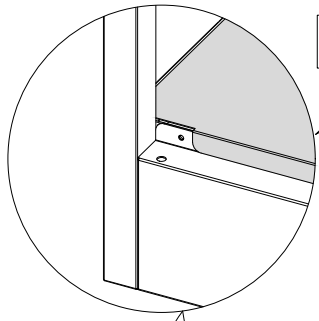
4

When placing Part H, place the notched side facing forward.

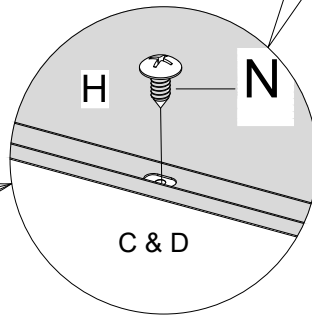


5

Note: No screws need to be put in the holes here.



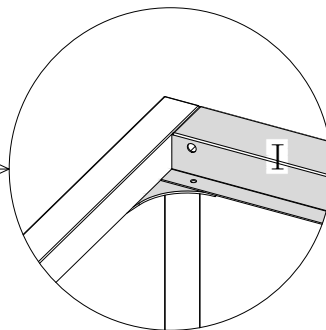
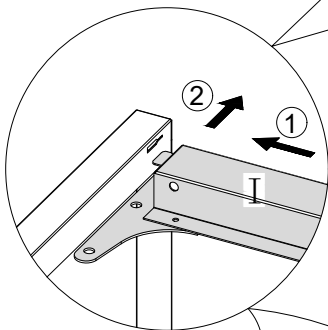
Align the holes on the back side of Part H with the holes located on the bottom of the back panel and secure them using the 4 screws.



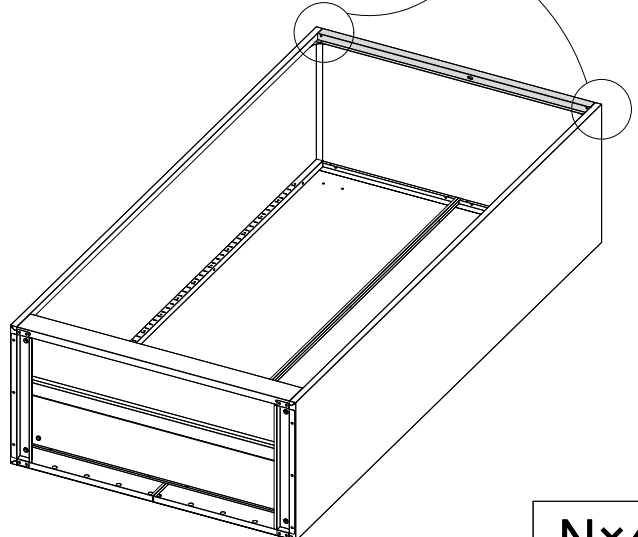
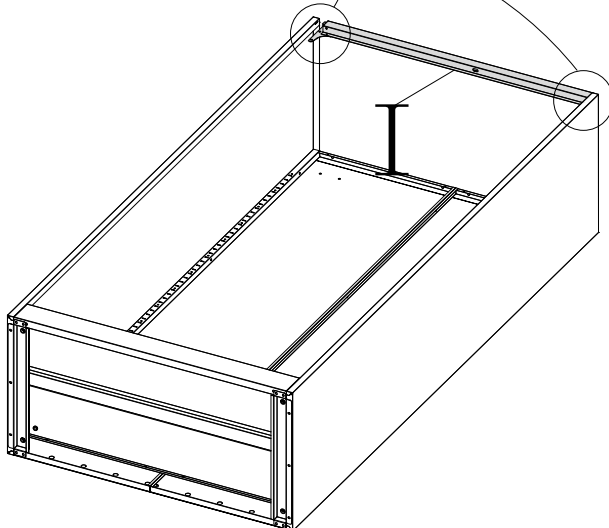
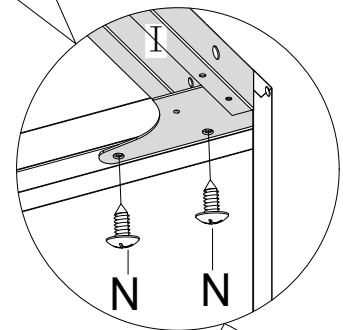
N×4

6

Snap the buckle on both sides of Part I into the hole in both side panels and push it up so that it snaps into the top of the cabinet.



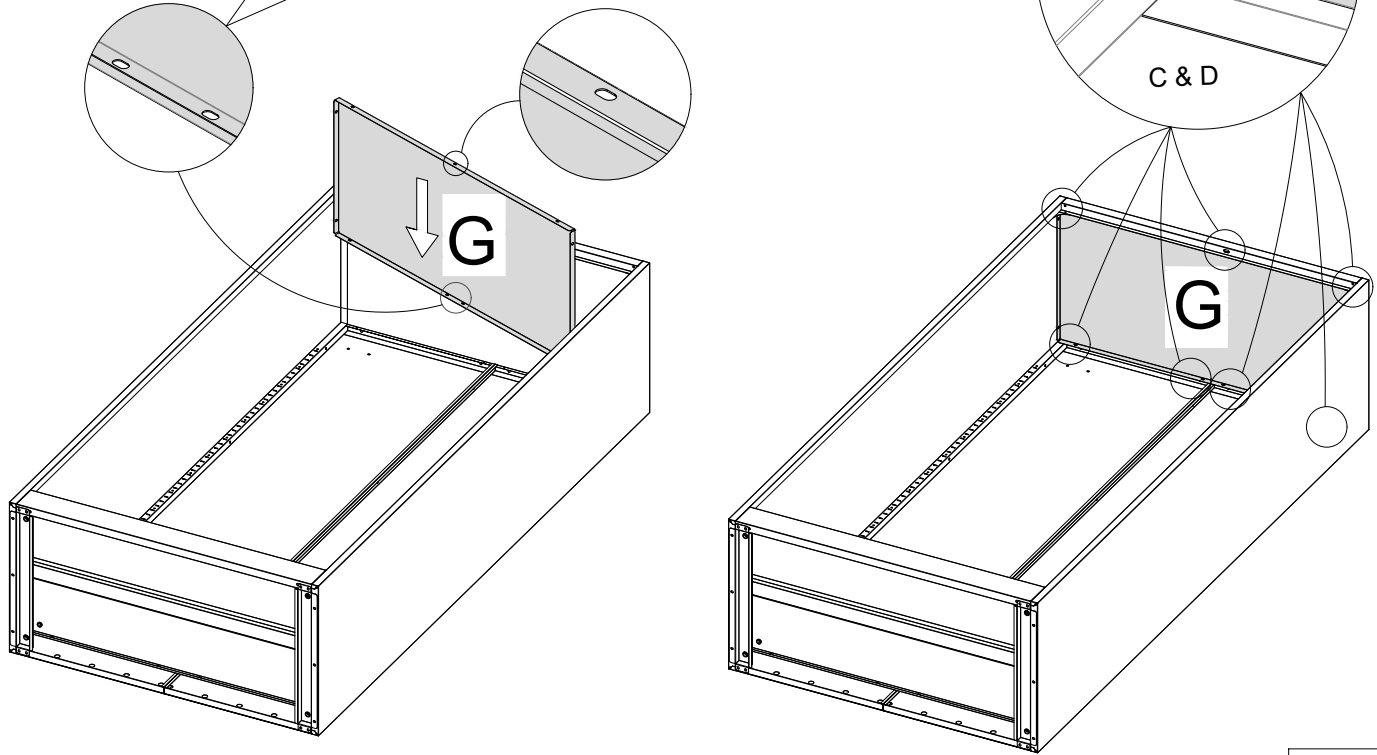
Screw in four screws from the back of Part I (inside the cabinet).



N×4

7

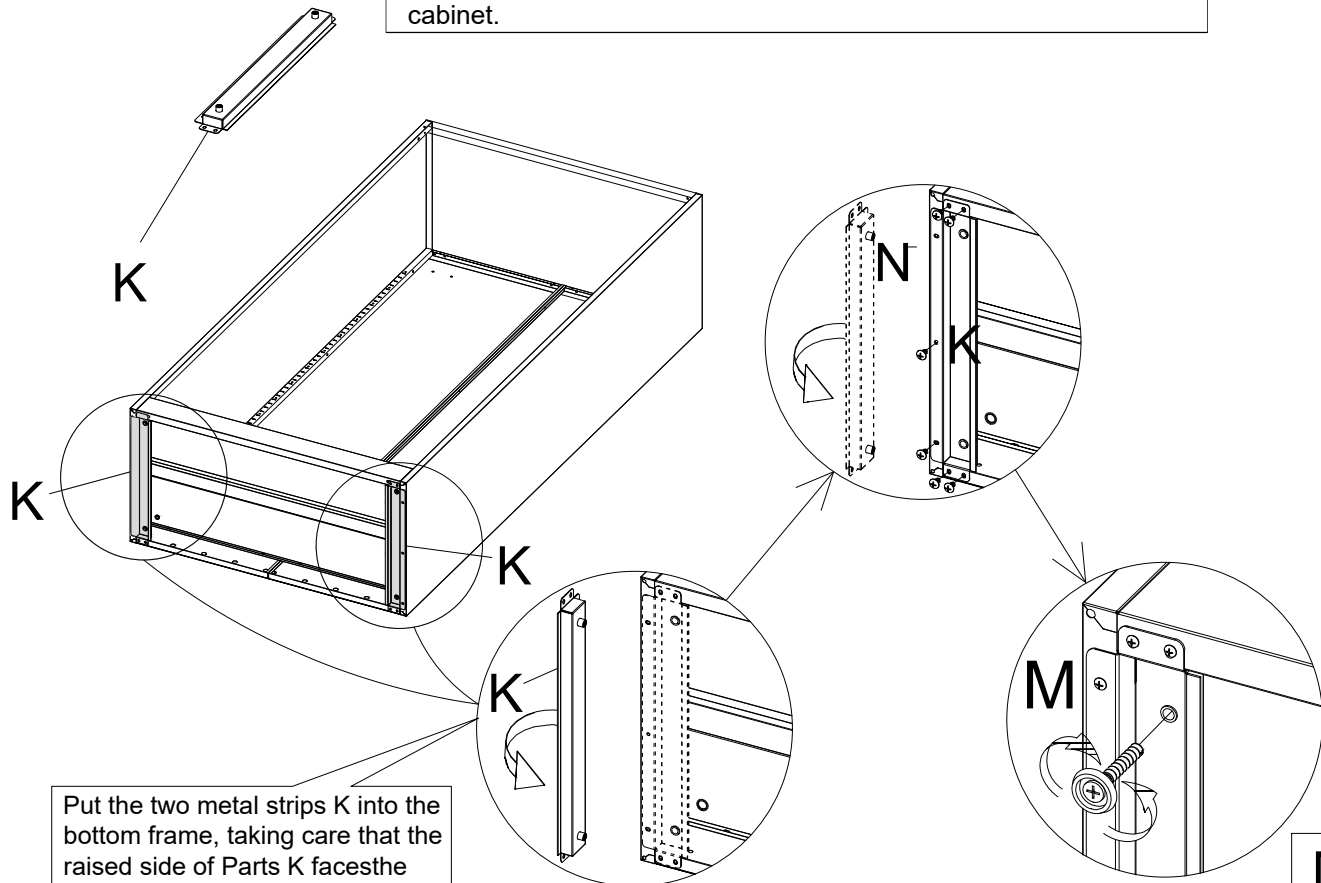
Part G has two holes on one side, facing the rear.



N×7

8

The raised gold hardware side on Part K faces the bottom of the cabinet.



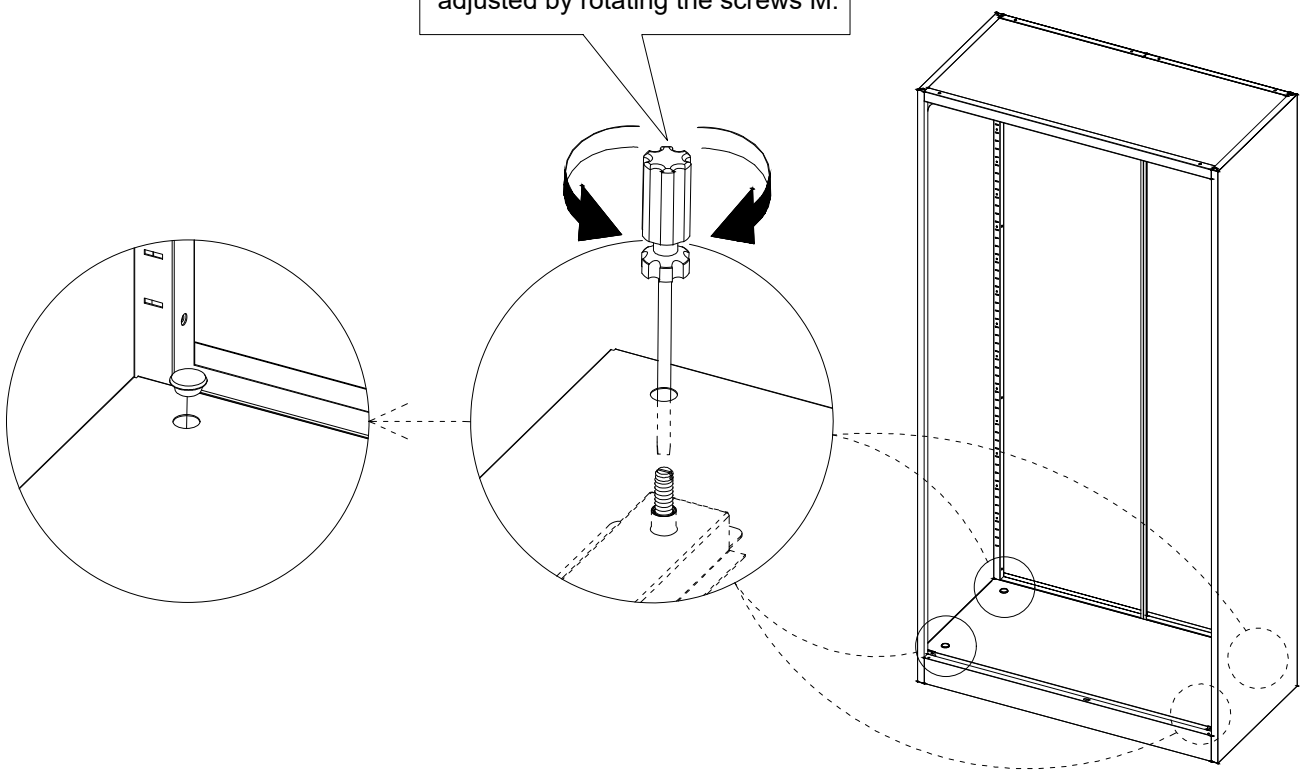
Put the two metal strips K into the bottom frame, taking care that the raised side of Parts K face the inside of the cabinet and is flush with the bottom of the cabinet when assembled.

M×4

N×14

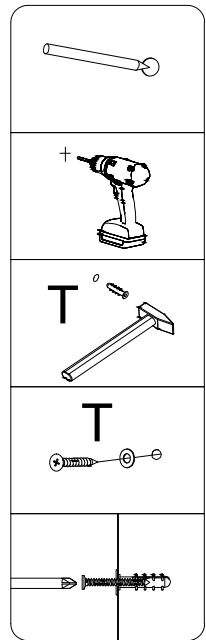
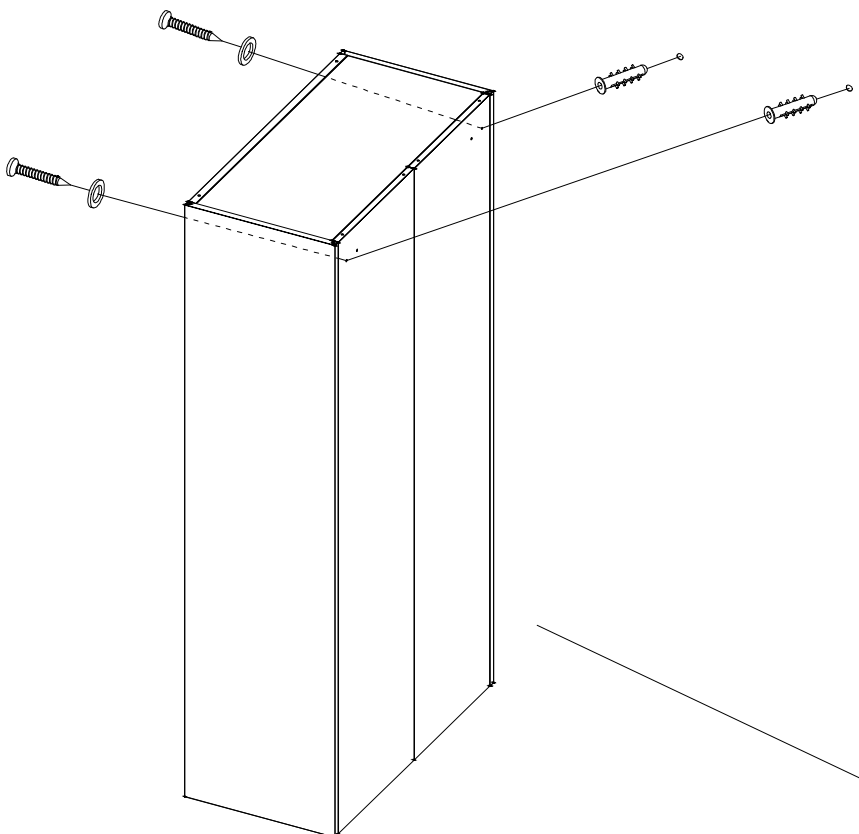
9

If the ground is uneven, it can be adjusted by rotating the screws M.



10

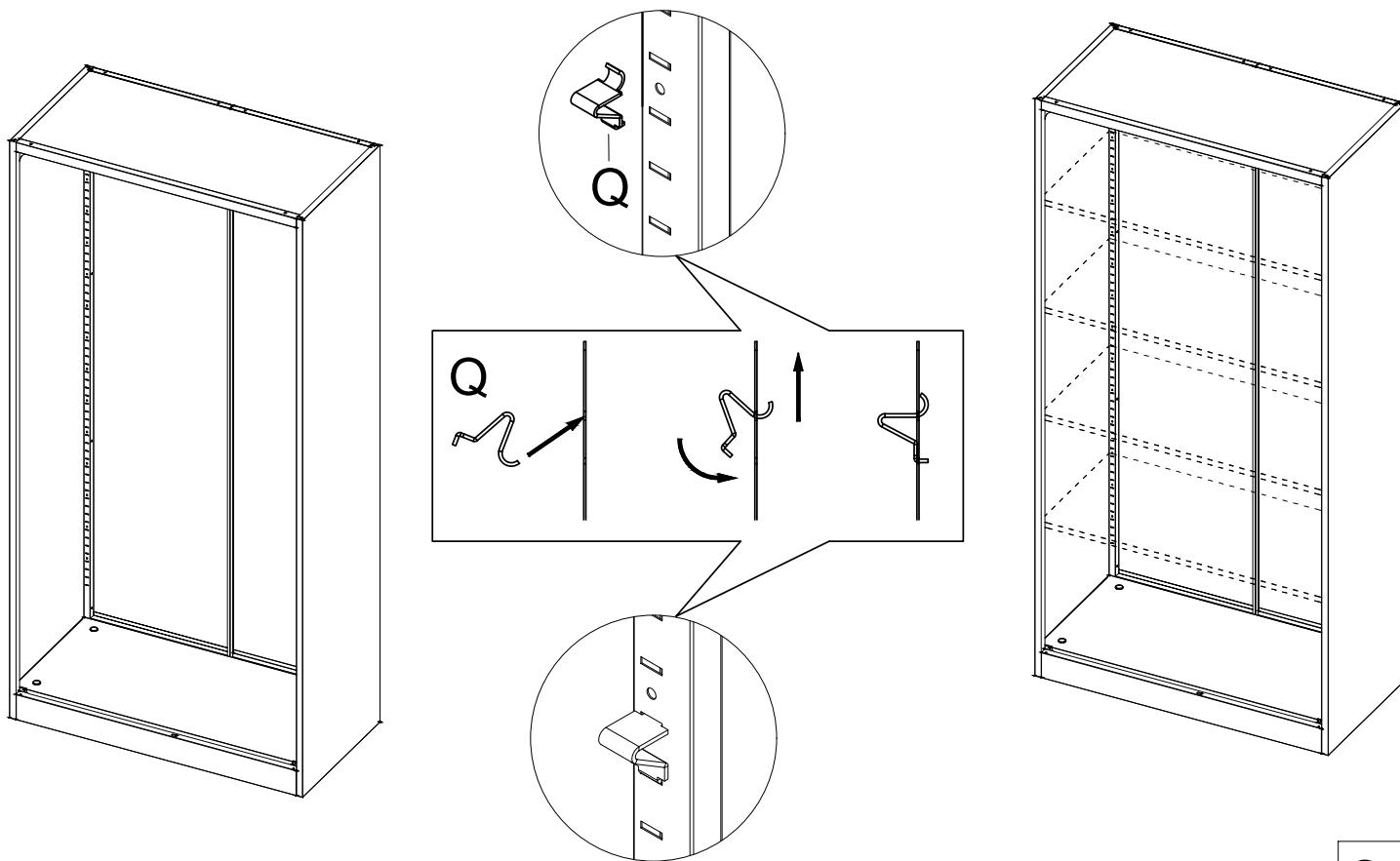
The cabinet can be fixed to the wall as needed.



T×2

11

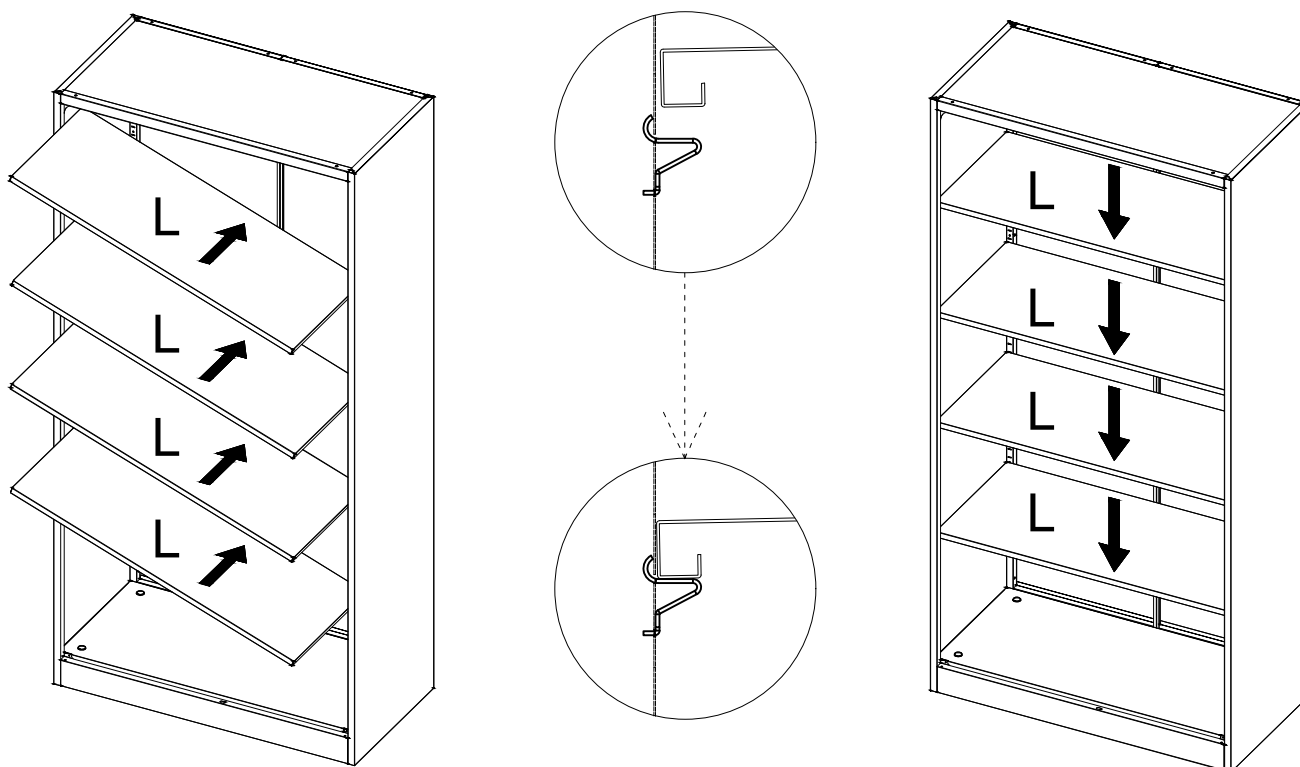
Put four support clips Q in the four corners of the cabinet, taking care to place them on the same level.



Q×16

12

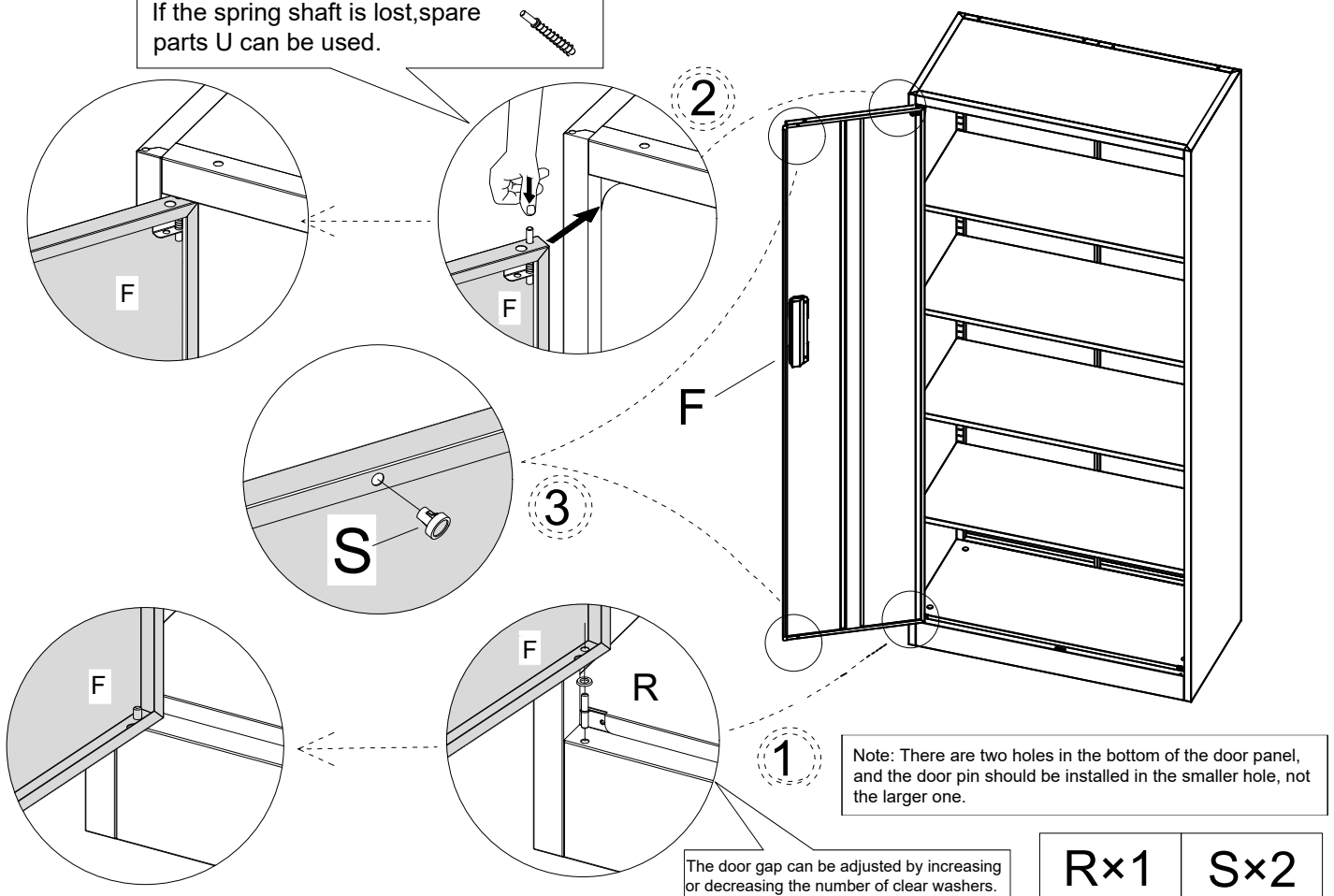
The horizontal height of each set of four support clips Q can be adjusted according to the required height of the items to be placed.



13

Install the door on one side by first installing the door shaft screw R, then by pressing the spring screw on the top of the door.

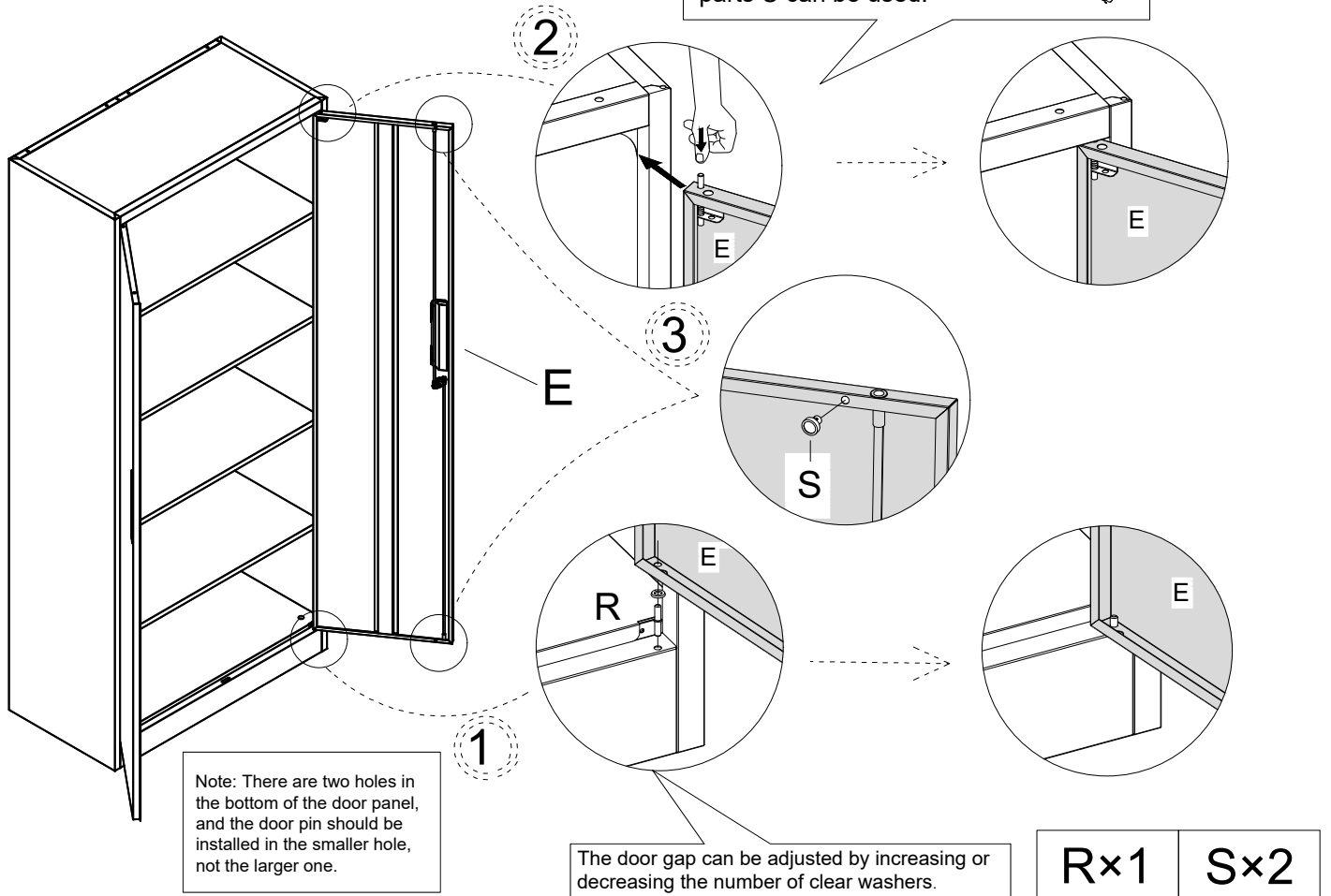
If the spring shaft is lost, spare parts U can be used.



14

Install the door by first installing the door pin R, then by pressing the spring shafts on the top of the door.

If the spring shaft is lost, spare parts U can be used.



15

