

INSTALLATION GUIDE

WARNINGS AND CAUTIONS

Released Date:2025-06

READ AND SAVE THESE INSTRUCTIONS

Please read and understand this entire manual before attempting to assemble, install or operate the product.

WARNING

- RISK OF ELECTRIC SHOCK - Before beginning installation, turn off electricity at the circuit breaker box or the main fuse box.

- RISK OF FIRE - Use bulbs specified by the markings and/or labels on the fixture.

- RISK OF PERSONAL INJURY - DO NOT bend the blades when installing the fan, or cleaning the fan.

Do not insert foreign objects in between rotating fan blades.

- RISK OF FIRE, ELECTRIC SHOCK, OR PERSONAL INJURY - mount to outlet box marked and use mounting screws provided with the outlet box.

- All set screws must be checked, and re-tightened where necessary, before installation.

- After making the wire connections, the wires should be spread apart with the grounded conductor and the equipment-grounding conductor on one side of the outlet box and the ungrounded conductor on the other side of the outlet box.

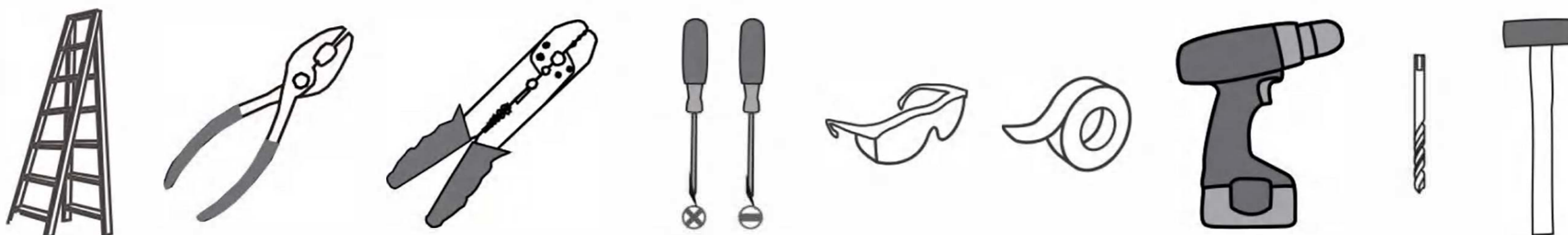
CAUTION

- For your safety, read instructions completely before beginning installation.

- If in doubt about electrical installation, consult a licensed electrician.

- Disconnect fixture from the power source before replacing bulbs or cleaning. Make sure the bulbs are given sufficient time to cool before removing.

TOOLS REQUIRED

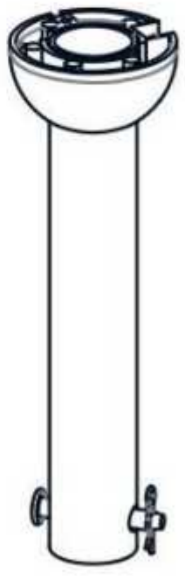


CARE AND MAINTENANCE

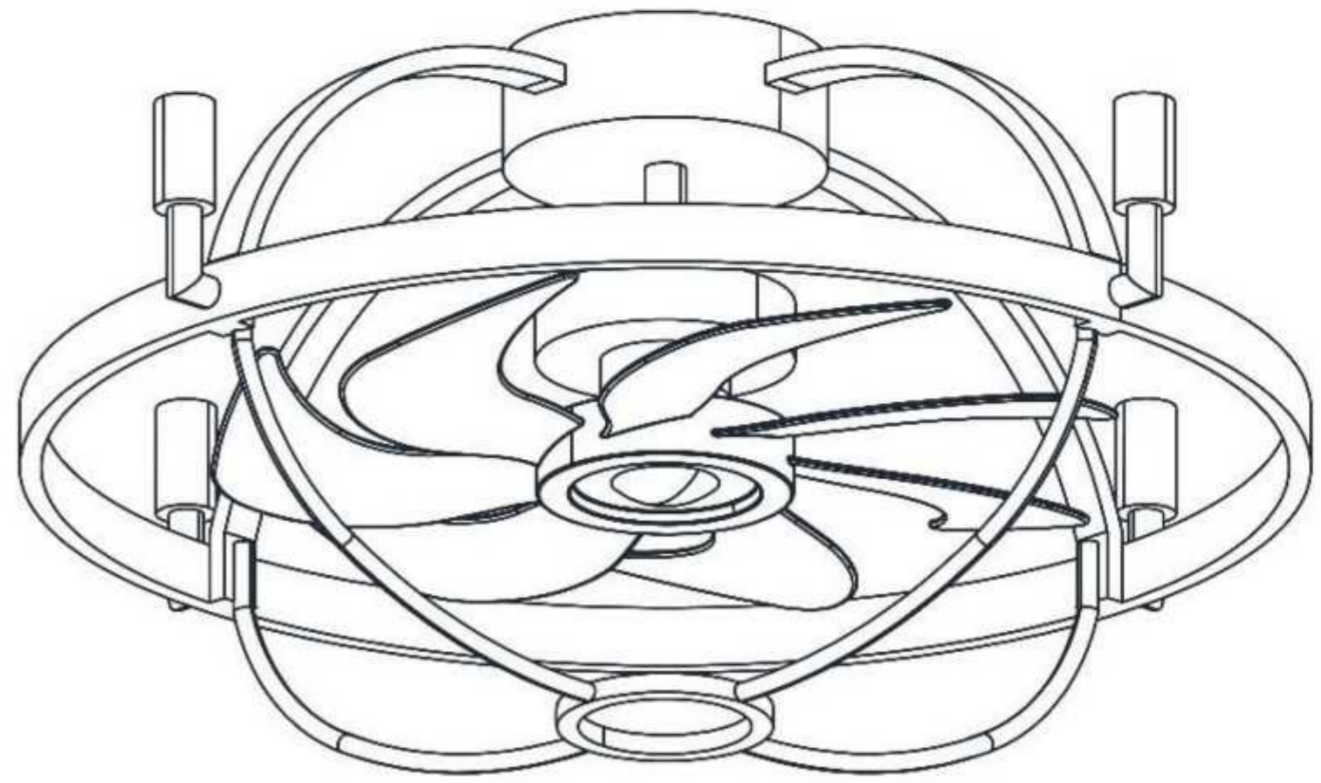
- Wipe clean using soft, dry cloth or static duster. Always avoid using harsh chemicals and abrasives to clean fixture as they may damage the finish.

If you need further assistance contact our After Customer Care, we will reply you in 24 hours.

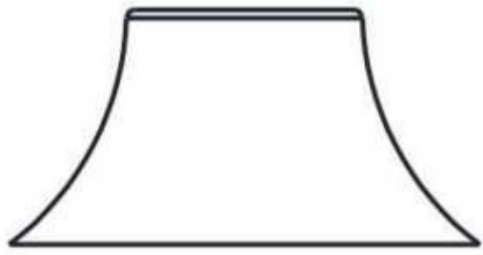
PACKAGE CONTENTS



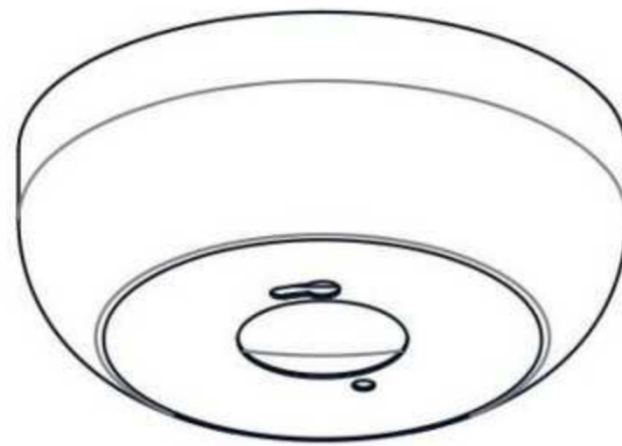
A 4.92" Rod Assembly
x 1



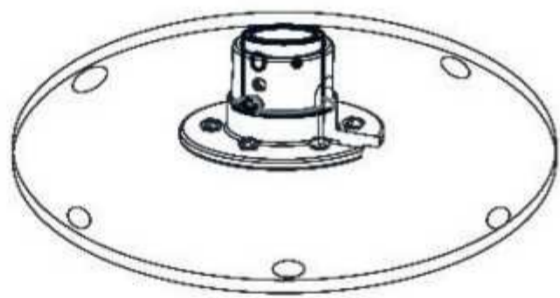
F Fixture Body
x 1



C Ceiling Canopy Cap
x 1



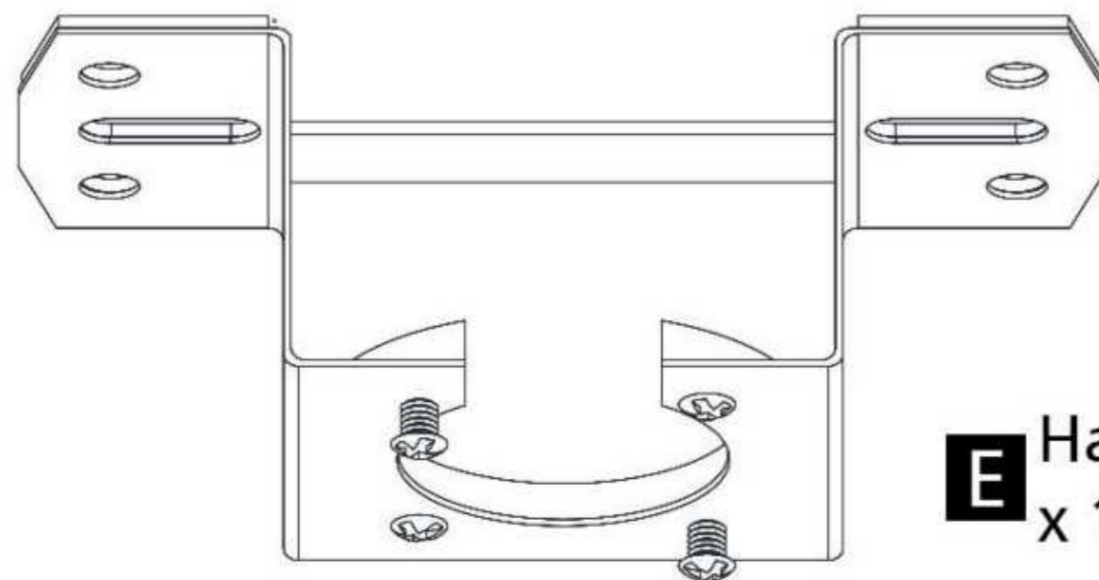
B Ceiling Canopy
x 1



D Motor Cap
x 1



G 7.87" Rod Assembly
x 1

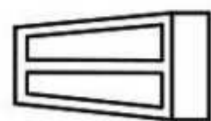


E Hanger Frame
x 1

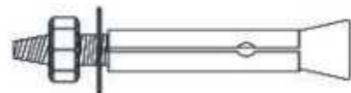
PACKAGE CONTENTS (PARTS BAG 1)



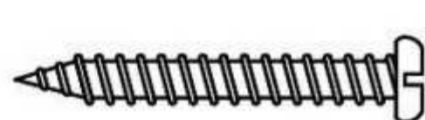
NOTE: Hardware not shown to actual size.



AA Wire Connector
x 4



DD Anchor Bolt
x 2



BB Screw
x 4



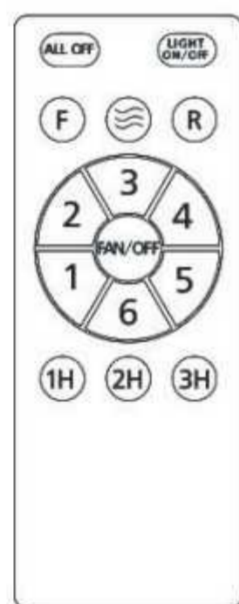
EE Mechanical Screw
x 2



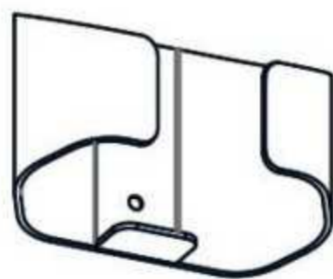
CC Wall Anchor
x 4

FF Glove
x 2

PACKAGE CONTENTS (PARTS BAG 2)



MM Remote Control
x 1



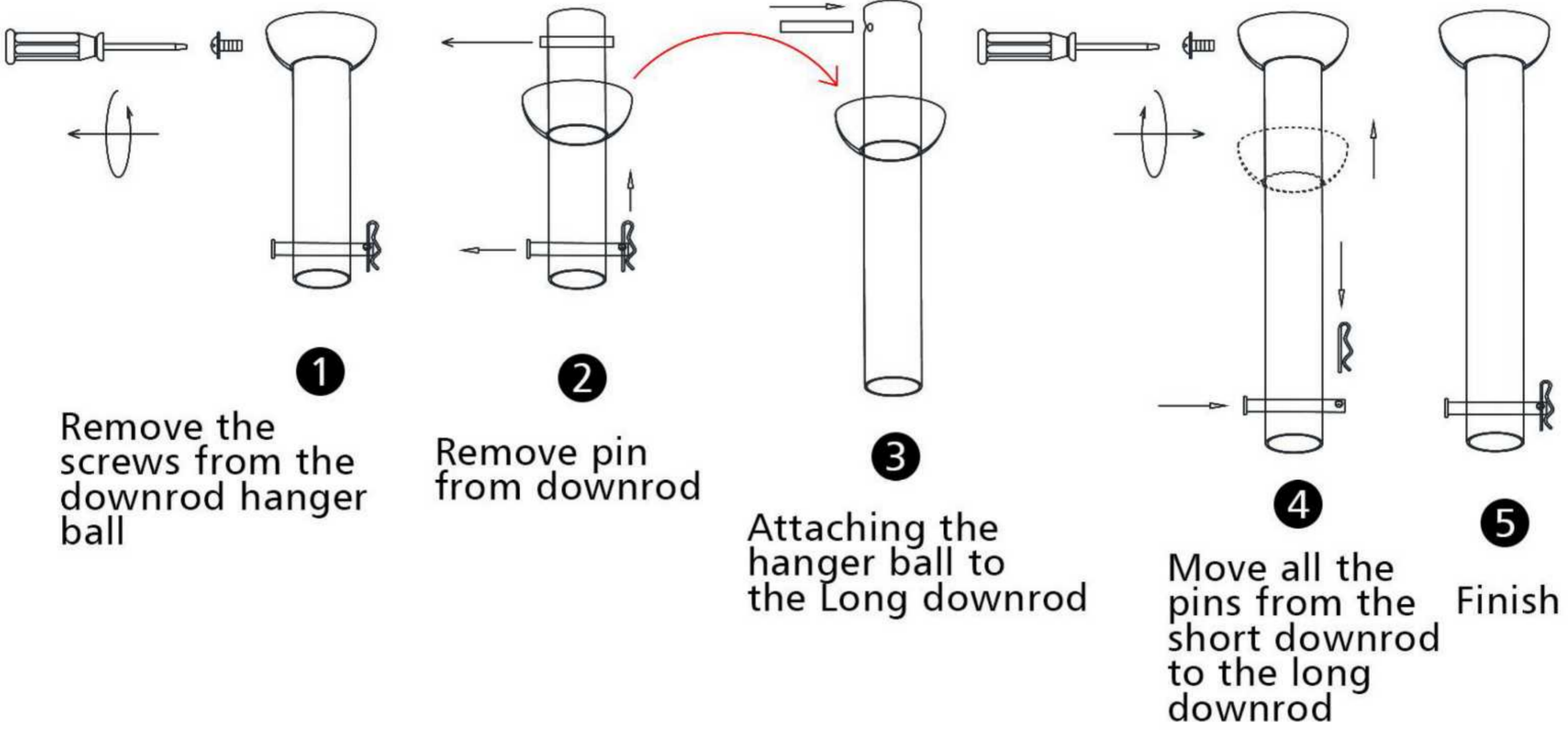
OO Wall Bracket
x 1



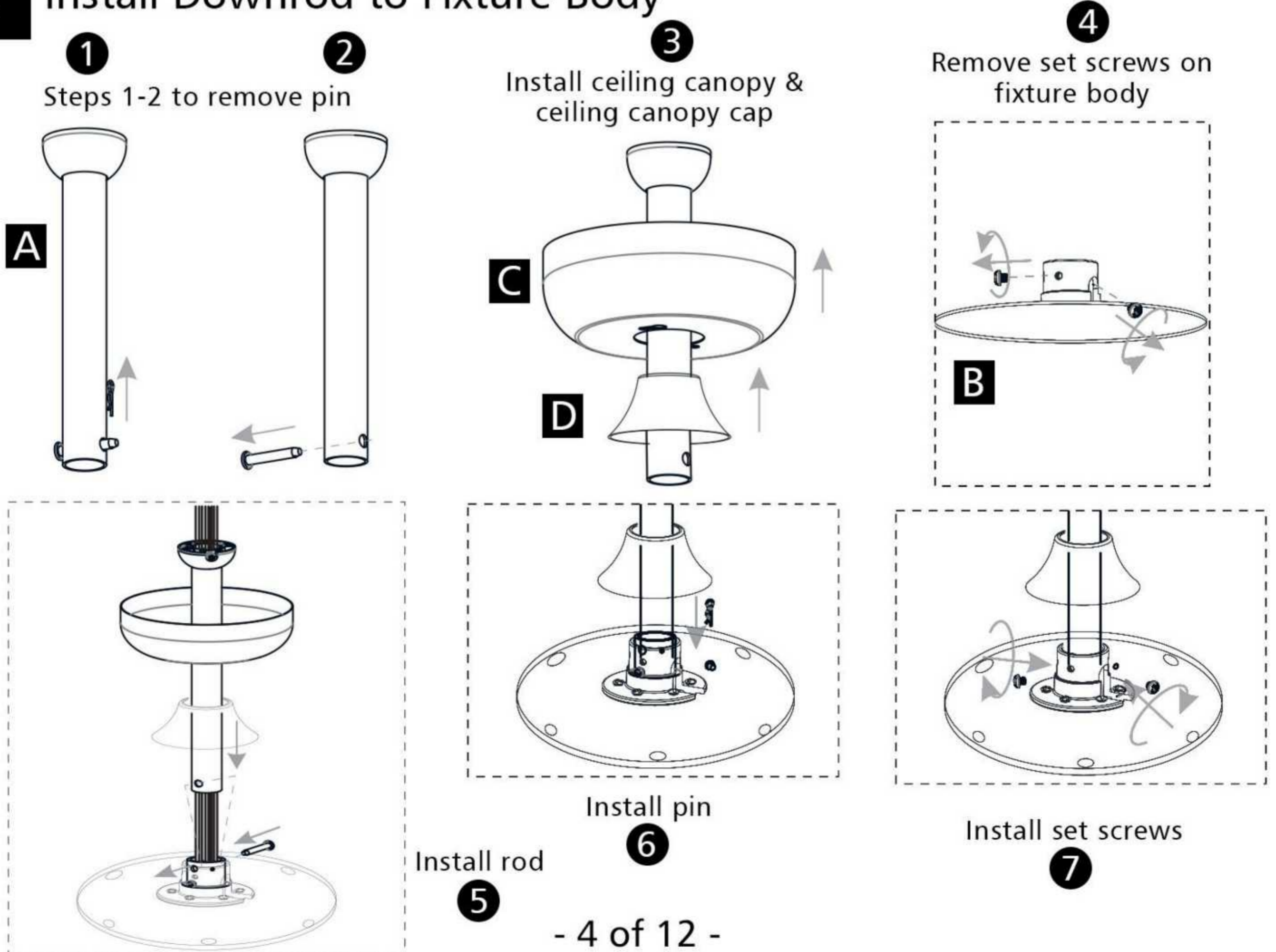
PP Screw
x 2

INSTALLATION

1 Choose Suitable Downrod

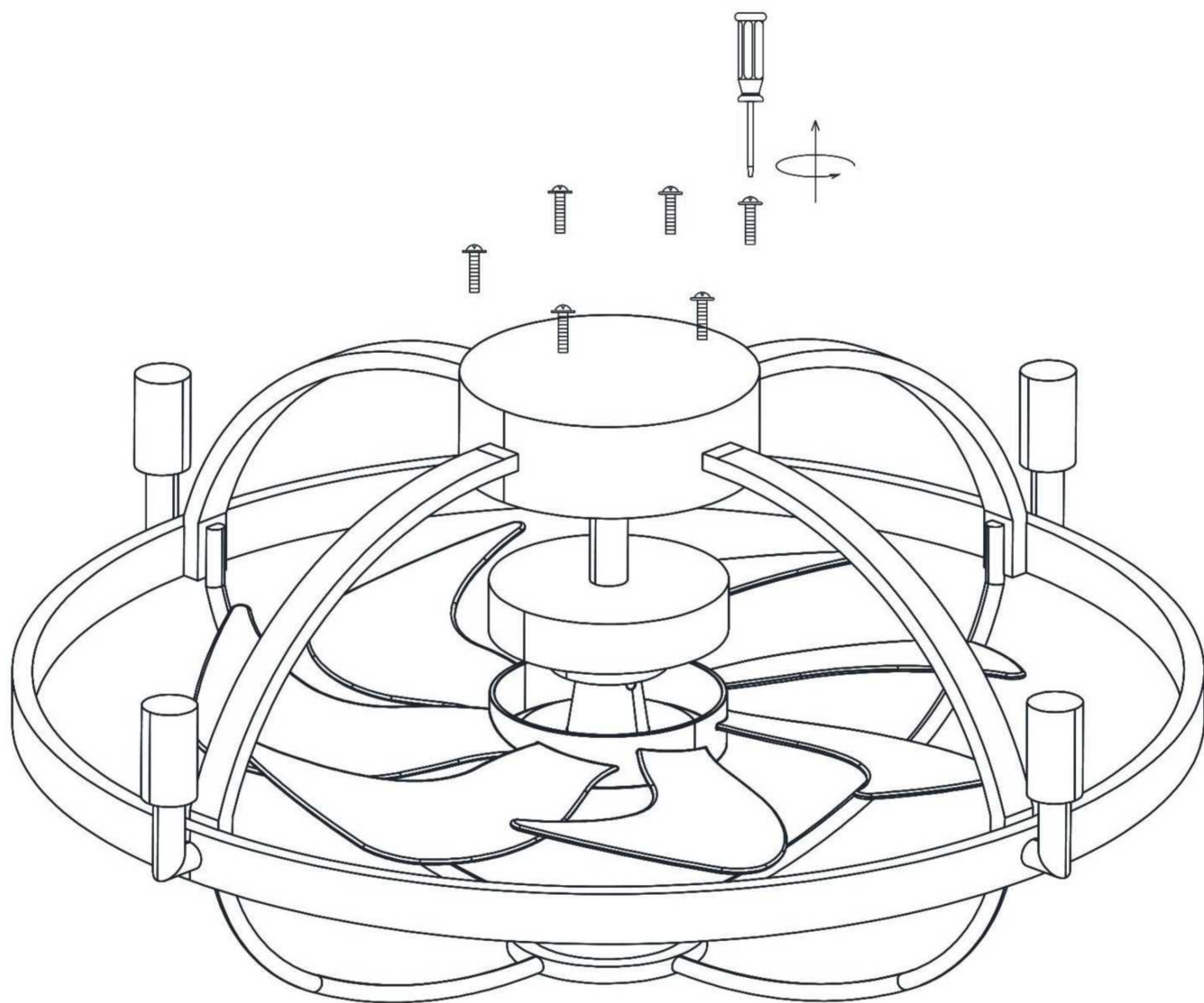


2 Install Downrod to Fixture Body



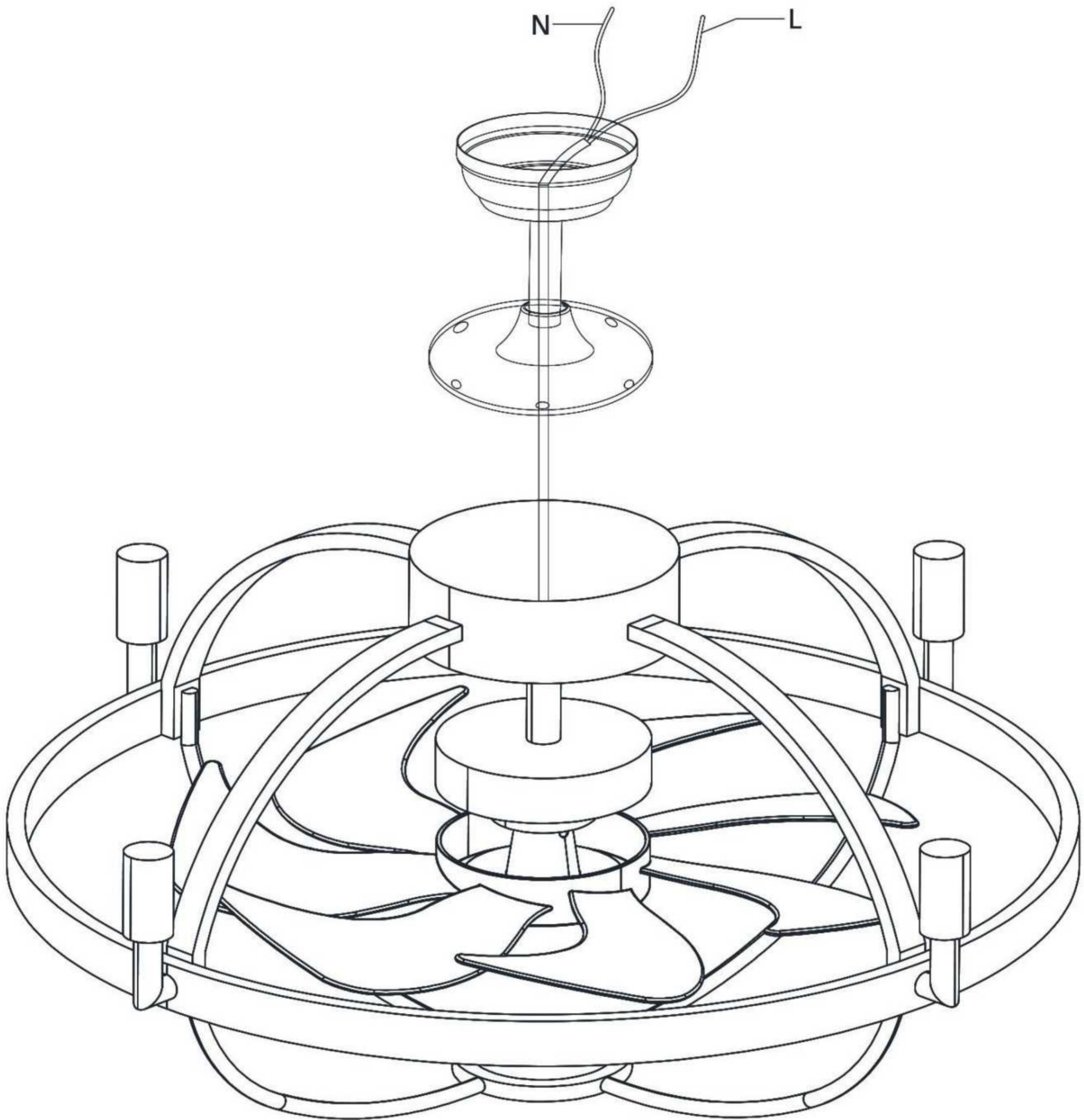
INSTALLATION

3 Loosen the screws on the fixture body



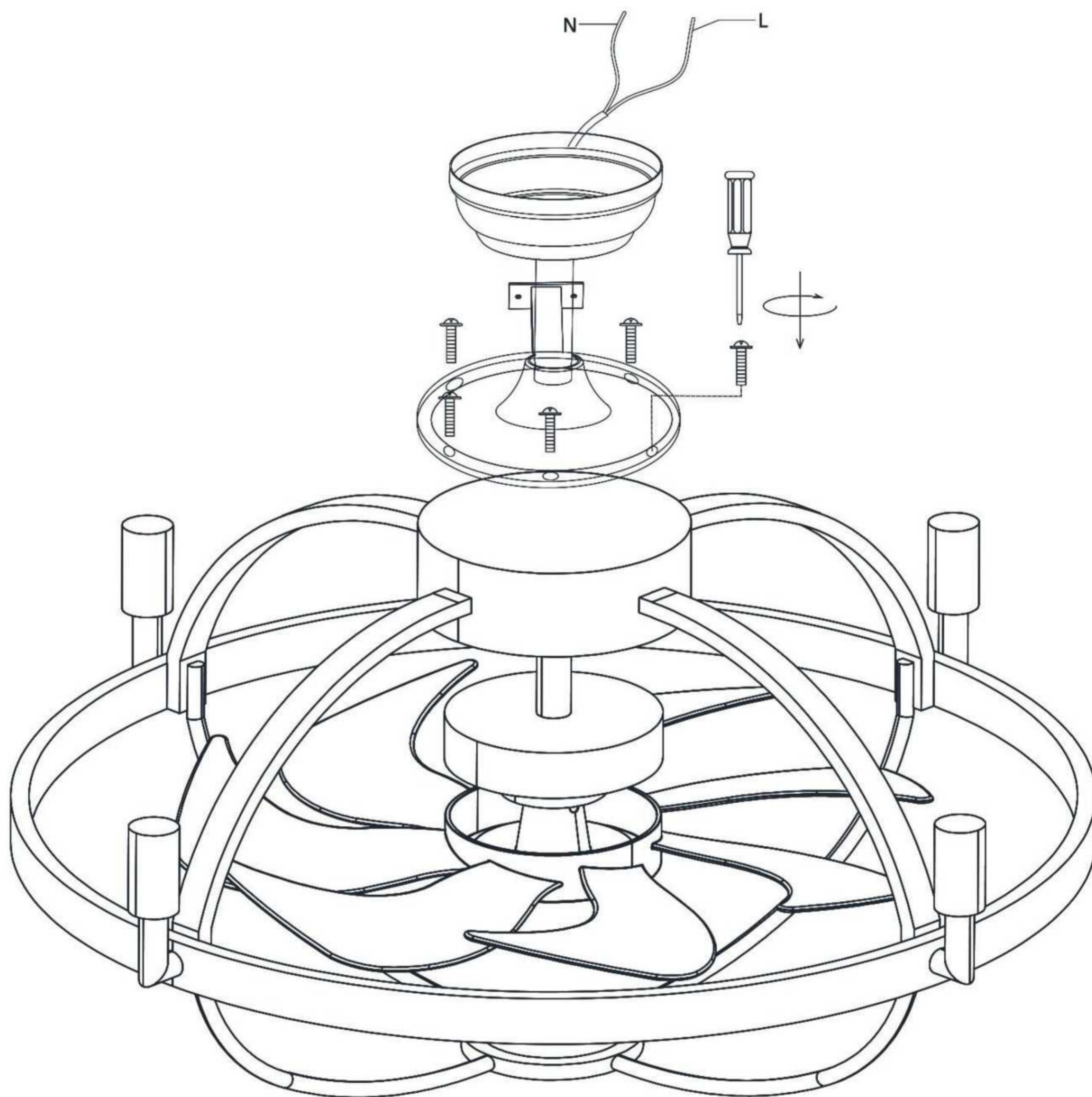
INSTALLATION

- 4 Thread the wires from the fixture body through the rod and ceiling canopy



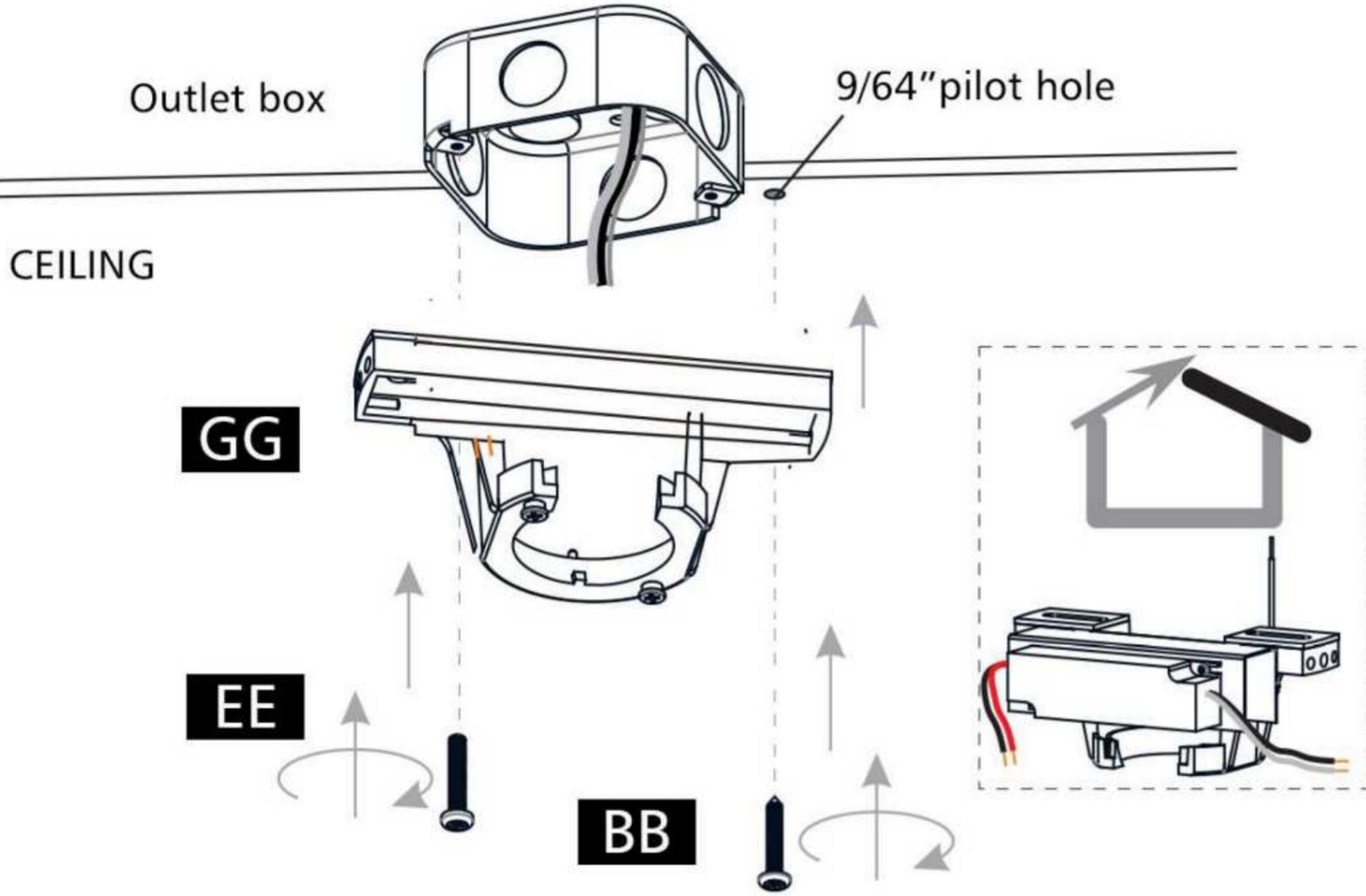
INSTALLATION

5 Install the screws into the motor cap



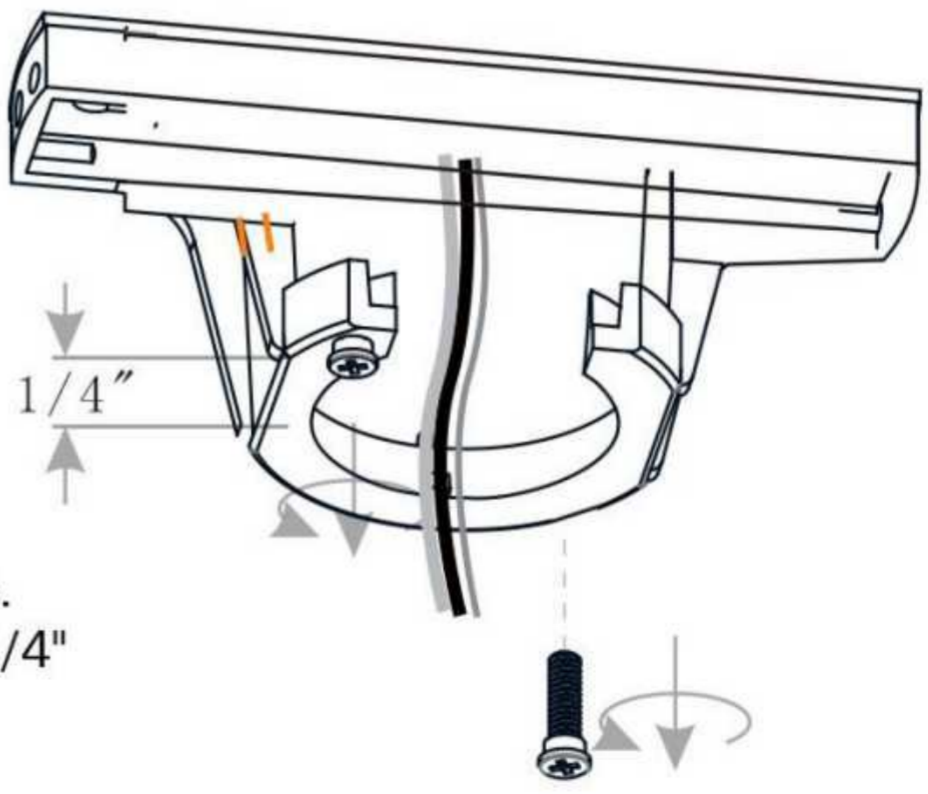
INSTALLATION

6 Install Hanger Frame



Use machine screws when securing to existing ceiling fan-rated outlet box.

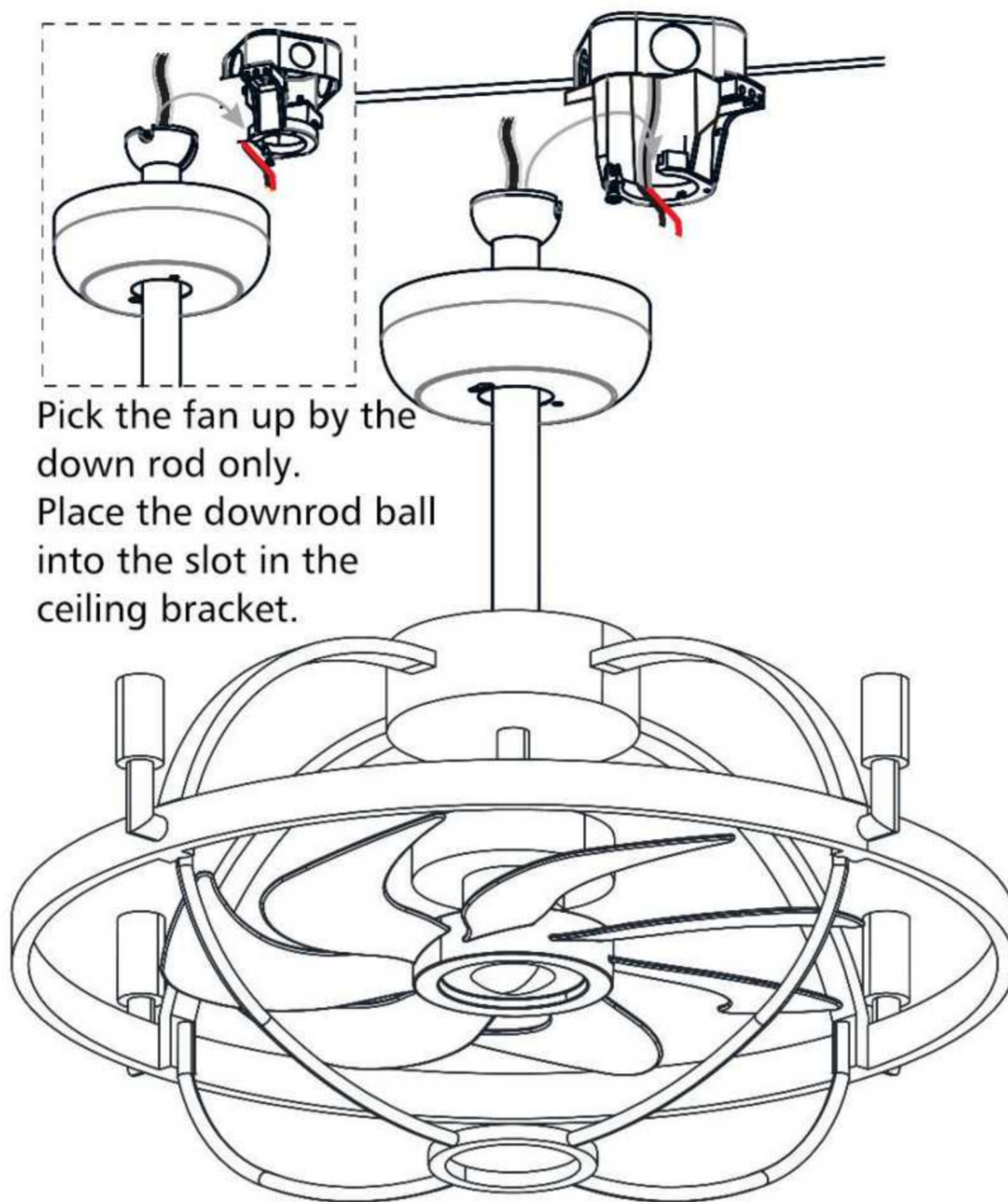
7 Loosen Shoulder Screws



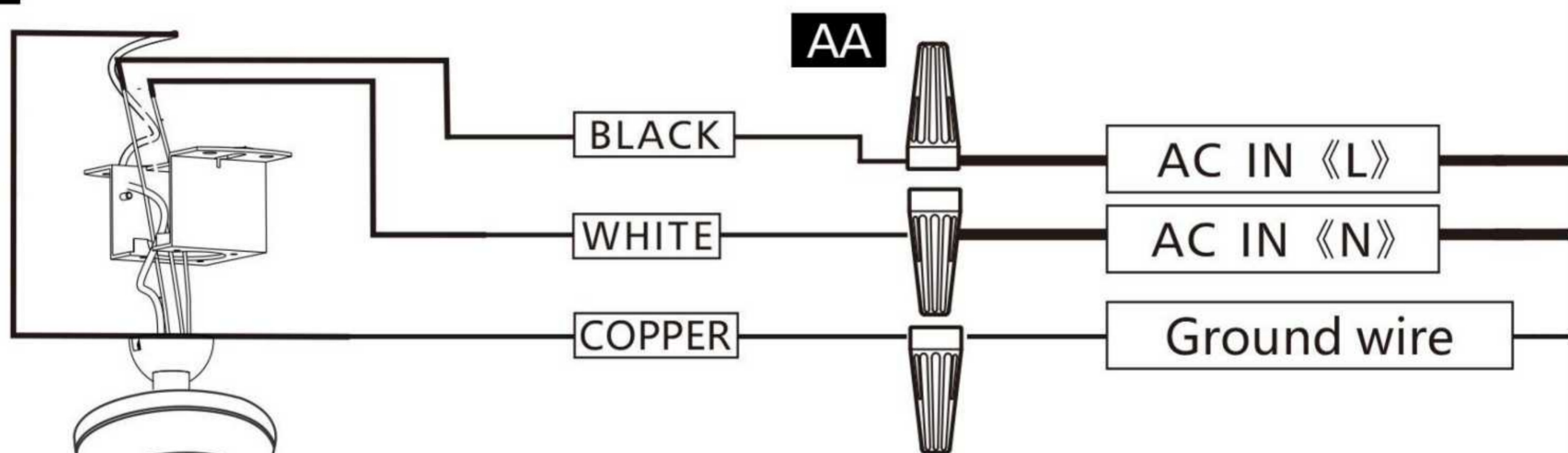
Remove one shoulder screw from hanger frame. Loosen the other shoulder screw approximate 1/4" and retain it on the hanger frame.

INSTALLATION

8 Install Rod to Hanger Frame



9 Wiring

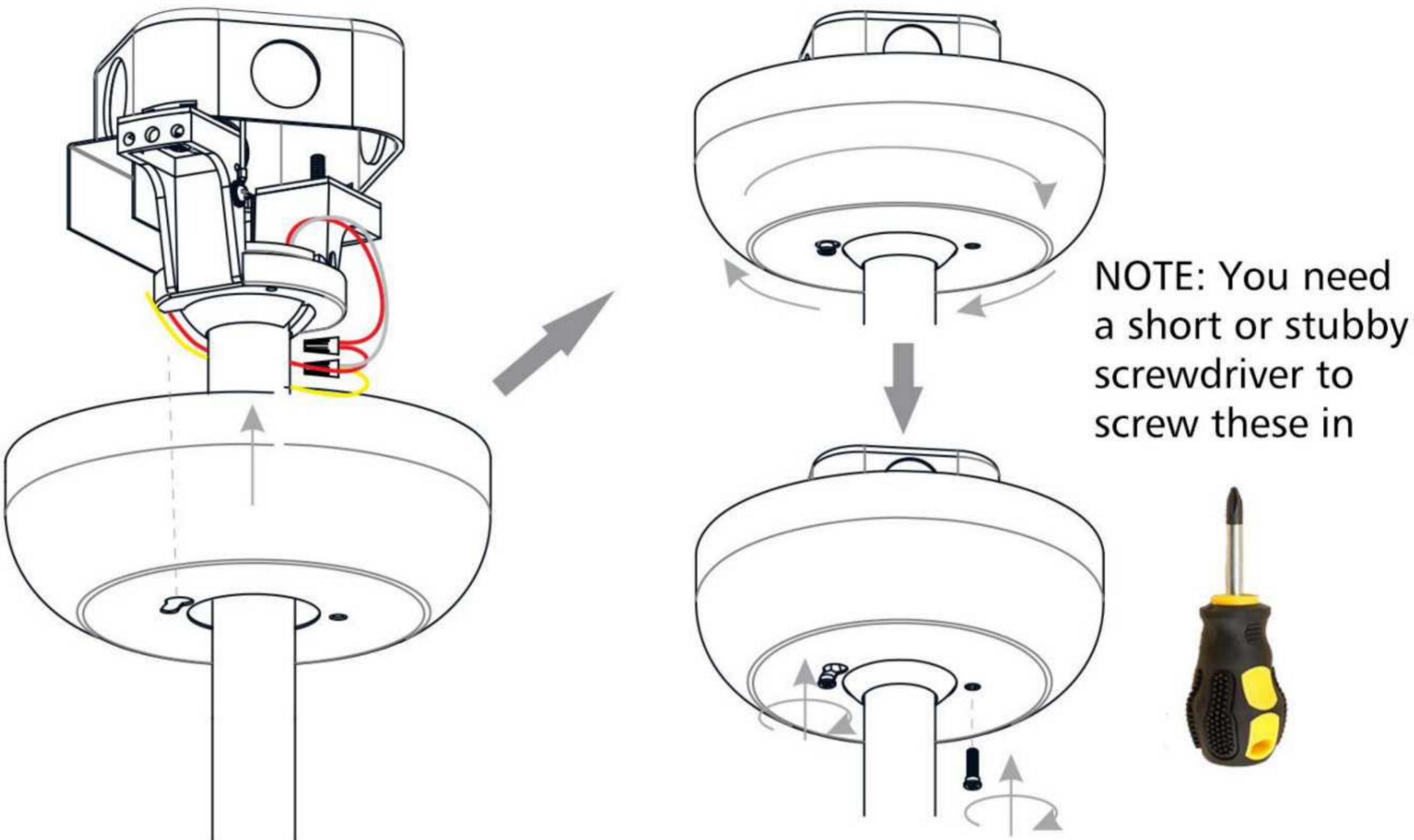


1. Connect the black wire to the live wire
2. Connect the white wire to the neutral wire
3. Connecting ground

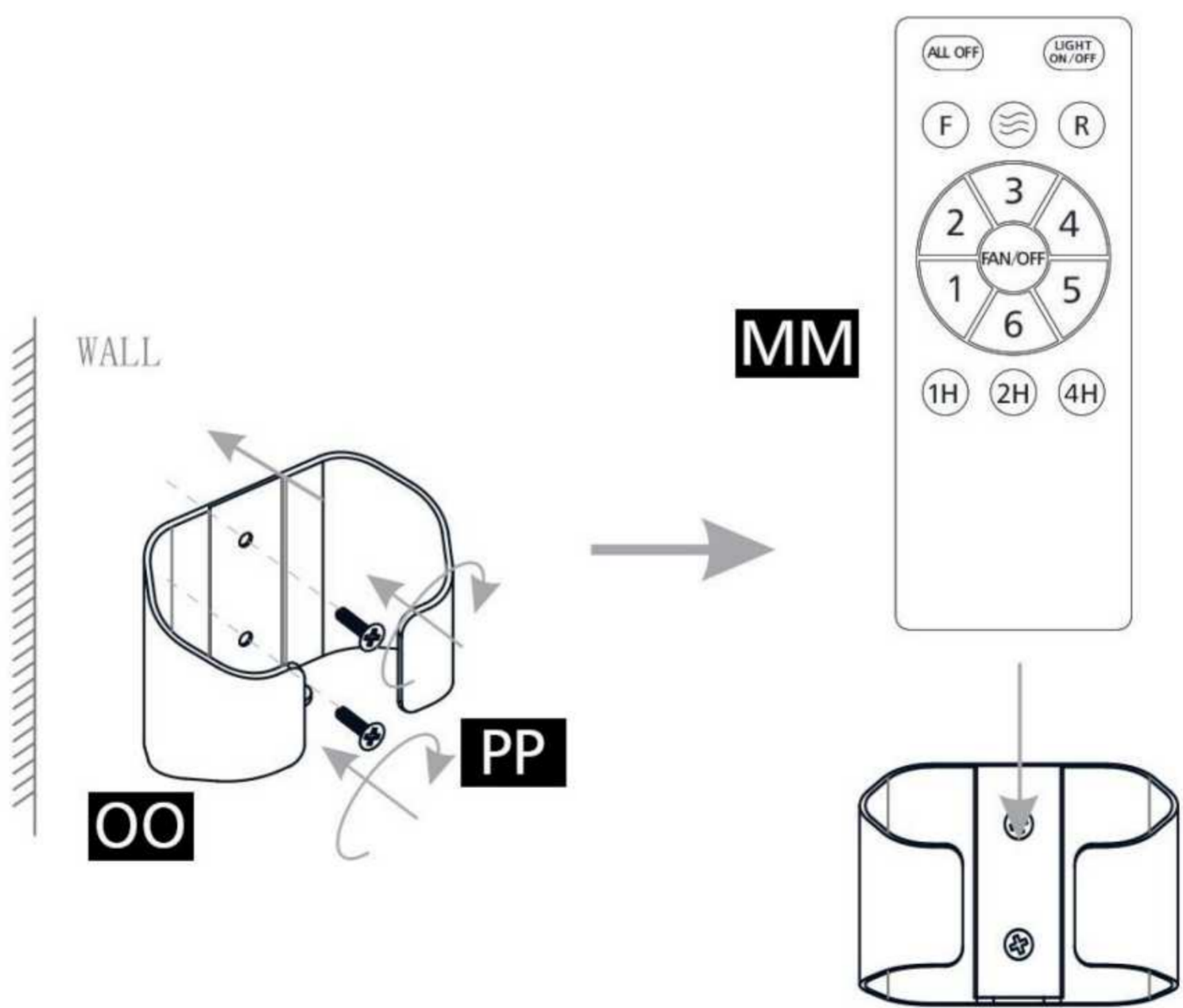
INSTALLATION

10 Install Ceiling Canopy

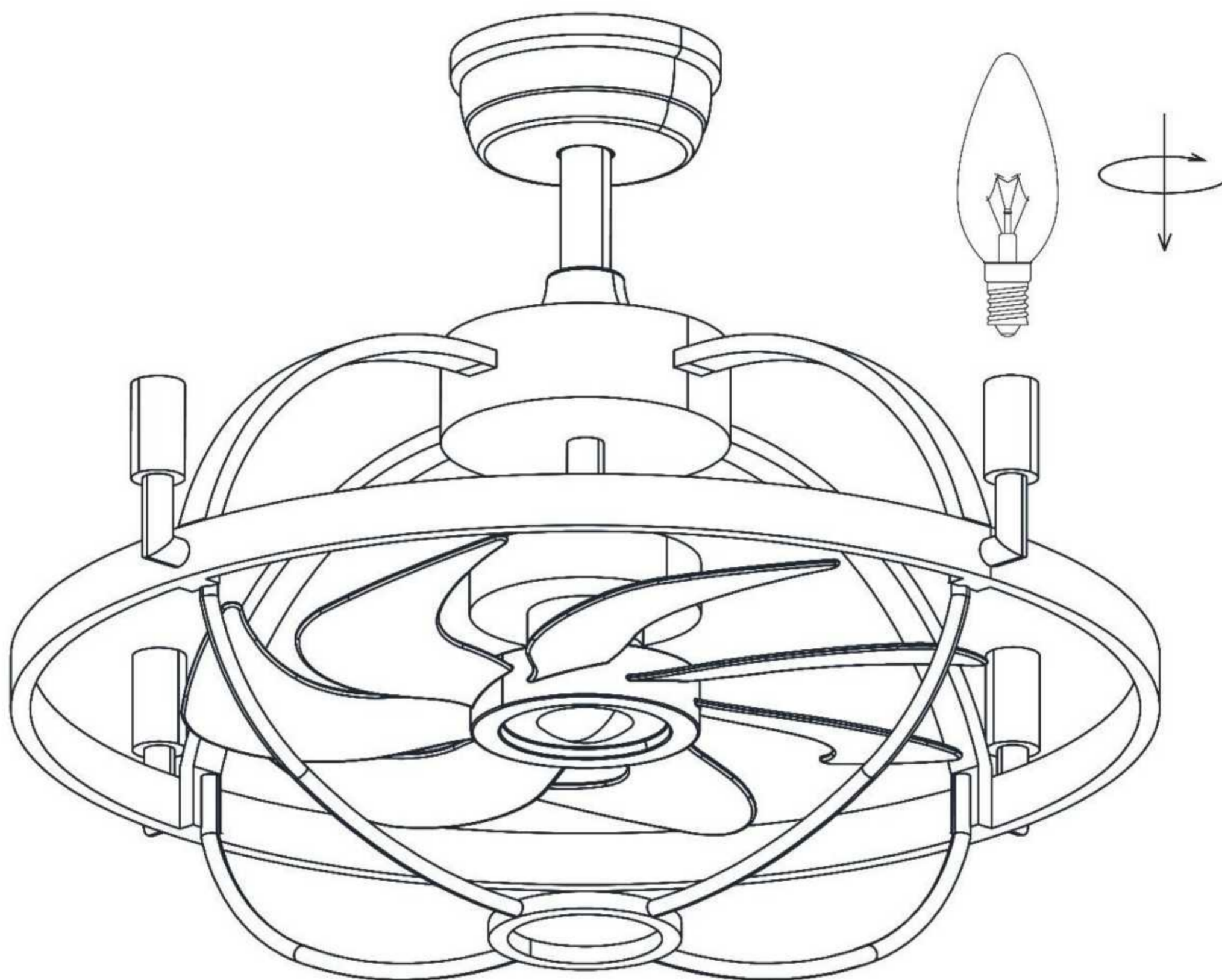
Carefully tuck all wires inside of the ceiling canopy during installation.



11 Install Wall Bracket



12 Install Bulbs

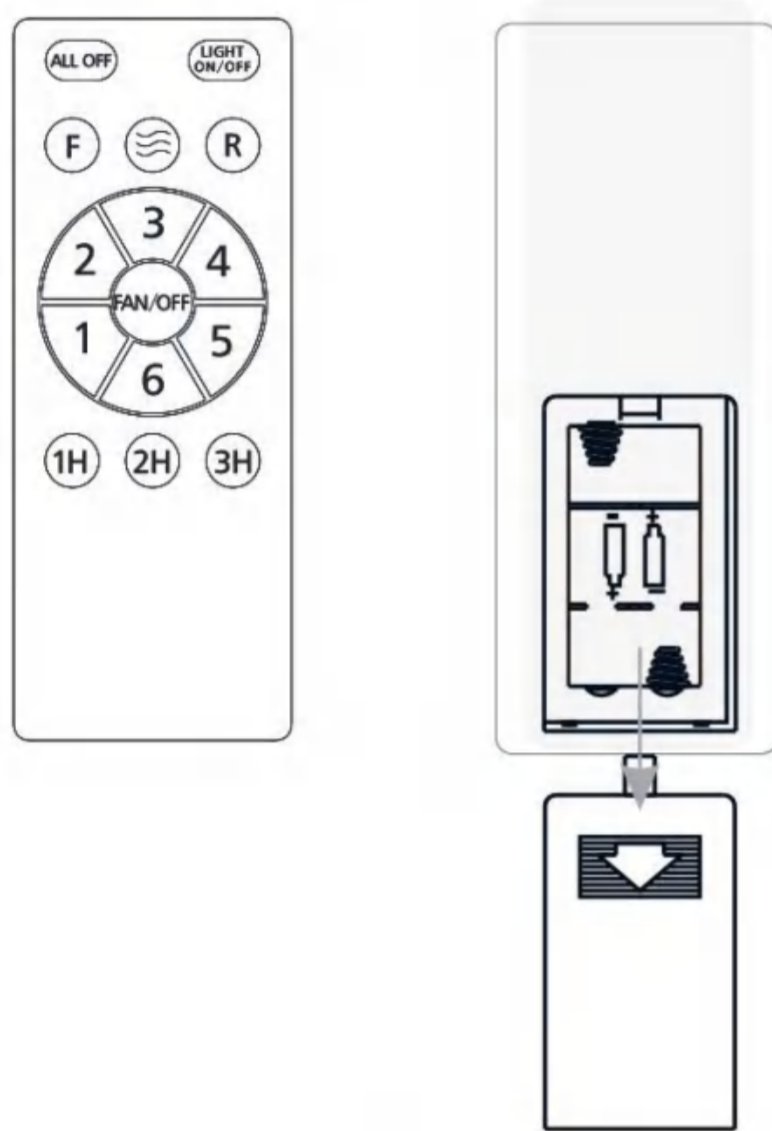


Install 4 correct bulbs referring to fixture markings or labels for maximum wattage. If the base angle needs to be changed, disconnect the power supply first

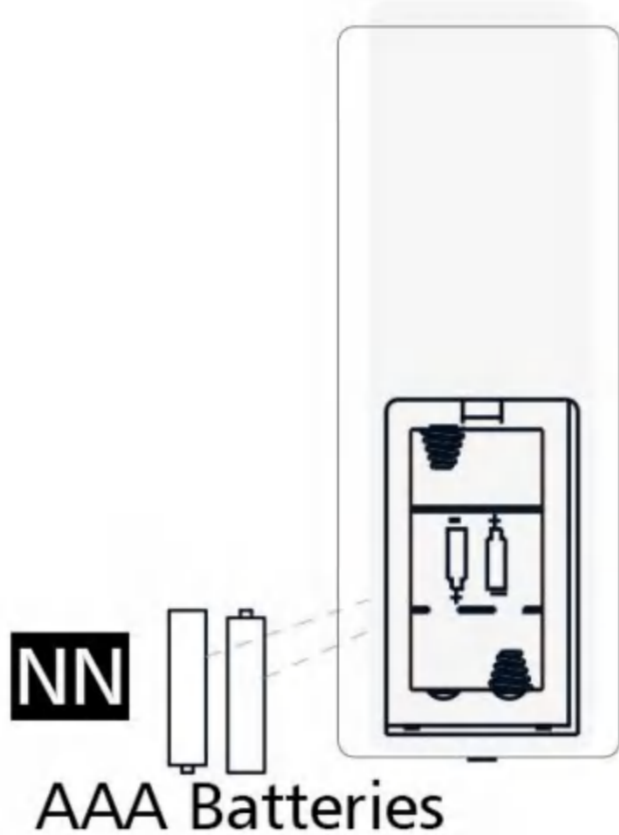
INSTALLATION

13 Remote Control Instruction

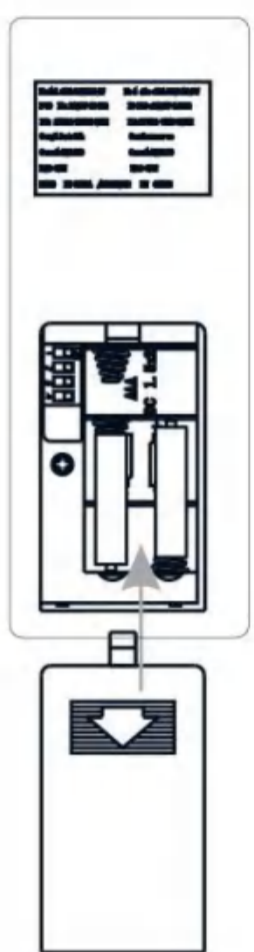
1
Remove the back cover



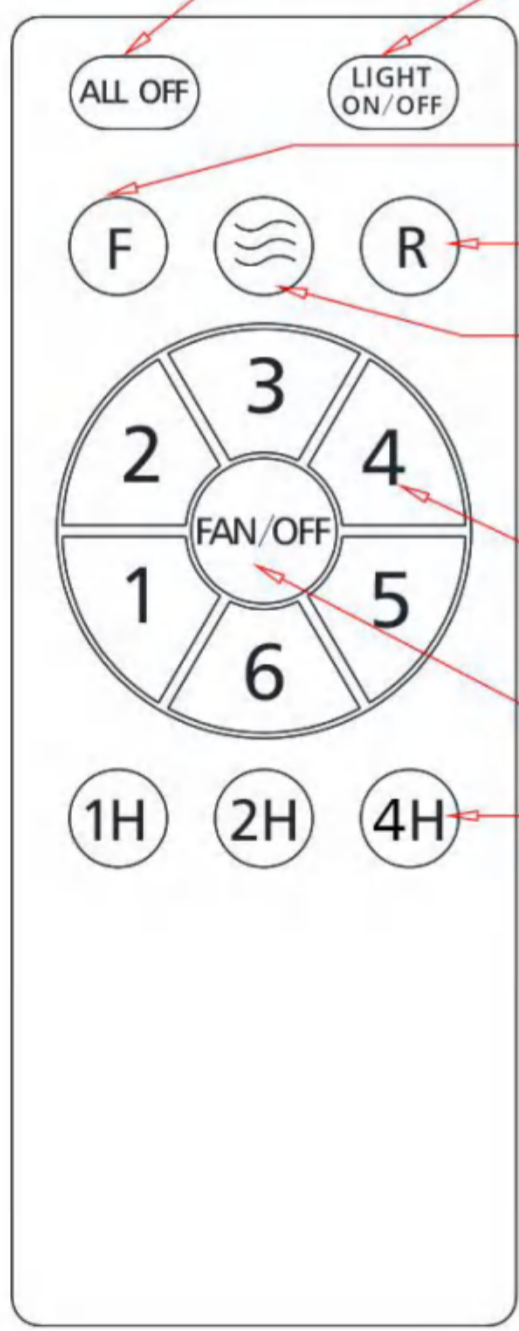
2
Installing the battery



3
Close the back cover



- ALL OFF and pairing remote
- Turn the light on or off
- Fan rotates forward
- Fan reverse rotation
- The fan rotates from small to large, and then changes from large to small like natural wind
- Free selection of wind speed
- Fan stop
- Timing of fan on or off



Remote Control Pairing Instructions:
(If the remote is not working, please refer to this method)

1. Turn off the fan light using the wall switch.
2. Turn the wall switch back on, and within 3 seconds, press and hold the "ALL OFF" button on the remote control for 3-5 seconds.
3. After pairing, press several random buttons on the remote to test whether the fan light responds correctly.

Note: There will be no indication when pairing is successful.

Your installation is now complete. Save this sheet for future