

# ELECTRIC FIREPLACE HOMEOWNERS OPERATING MANUAL

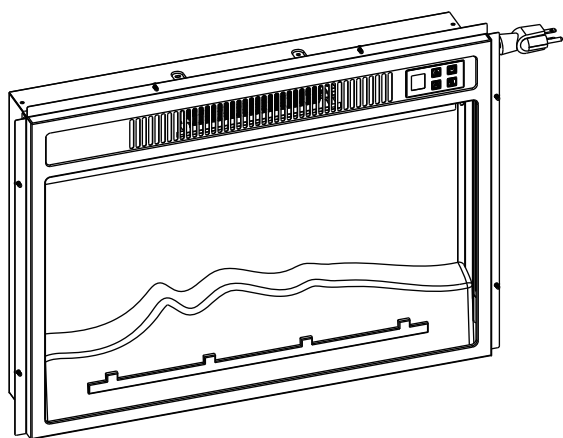
## **ATTENTION**

The electric fireplace you have received is an upgraded version.

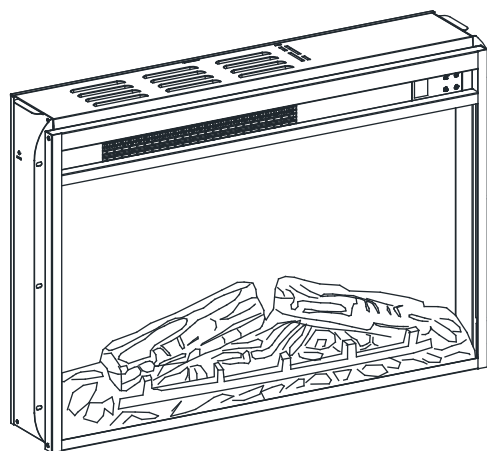
The installation instructions included in the TV stand manual pertain to the non-upgraded, older version and do not apply to the unit you received.

Therefore, please adhere to the instructions provided in **THIS** manual for installation, and disregard the fireplace installation instructions in the TV stand manual.

We apologize for any inconvenience this may have caused.



*Old version*

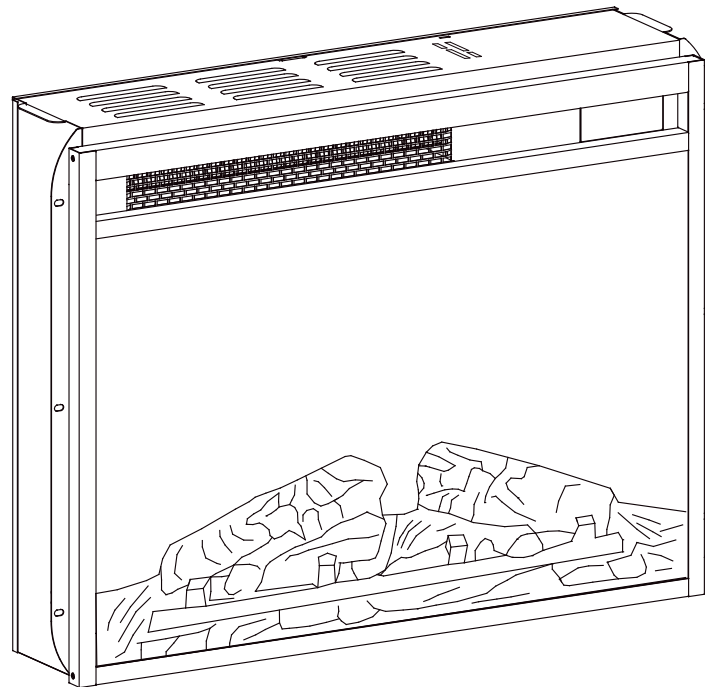


*Upgraded version*

The actual appearance should be subject to the purchase model

# ELECTRIC FIREPLACE

## HOMEOWNERS OPERATING MANUAL



The actual appearance should be subject to the purchase model

---

**CONSUMER SAFETY INFORMATION: PLEASE READ THIS MANUAL BEFORE INSTALLING AND OPERATING THIS APPLIANCE. FAILURE TO FOLLOW THESE INSTRUCTIONS MAY RESULT IN A POSSIBLE ELECTRIC SHOCK, FIRE HAZARD, AND/OR INJURY AND WILL VOID THE WARRANTY.**

**WARNING: IF THE INFORMATION IN THIS MANUAL IS NOT FOLLOWED, AN ELECTRIC SHOCK OR FIRE MAY RESULT IN PROPERTY DAMAGE, PERSONAL INJURY, OR LOSS OF LIFE.**

**THIS INSTRUCTION BOOKLET CONTAINS IMPORTANT SAFETY INFORMATION. PLEASE READ AND KEEP FOR FUTURE REFERENCE.**

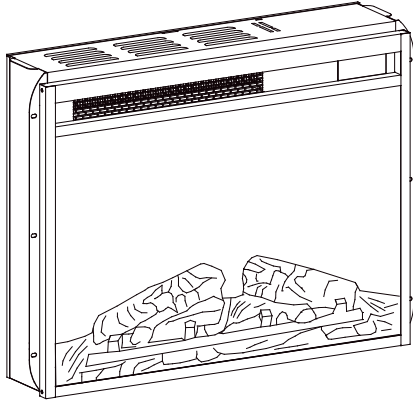
# IMPORTANT INSTRUCTIONS

When using electrical appliances, basic precautions should always be followed to reduce the risk of fire, electrical shock, and/or injury including the following:

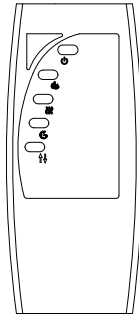
1. Read all instructions before using this heater.
2. This heater is hot when in use. To avoid burns, do not let bare skin touch hot surfaces. Keep combustible materials, such as furniture, pillows, bedding, papers, clothes, etc. and curtains at least 3 feet (0.9 m) from the front of the heater and keep them away from the sides and rear.
3. Extreme caution is necessary when any heater is used by or near children or invalids and whenever the heater is left operating and unattended.
4. Do not operate any heater after it malfunctions. Disconnect power at service panel and have heater inspected by a reputable electrician before reusing.
5. Always unplug this appliance when not in use.
6. Do not operate any heater with a damaged cord or plug or after the appliance malfunctions, or if it has been dropped or damaged in any manner.
7. If the supply cord is damaged, it must be replaced by the manufacturer, it's service agent or similarly qualified persons in order to avoid a hazard.
8. Any repairs to this fireplace should be carried out by a qualified service person.
9. Under no circumstances should this fireplace be modified. Parts having to be removed for servicing must be replaced prior to operating this fireplace again.
10. Do not use outdoors.
11. This heater is not intended for use in bathrooms, laundry areas and similar indoor locations. Never locate this appliance where it may fall into a bathtub or other water container.
12. Do not run cord under carpeting. Do not cover cord with throw rugs, runners or the like. Arrange cord away from traffic areas and where it will not be tripped over.
13. To disconnect this appliance, turn controls to the off position, then remove plug from outlet.
14. Connect to properly grounded outlet only.
15. This appliance, when installed, must be electrically grounded in accordance with local codes or,
  
16. There is a protective thermostat limiter inside the heater. When the inner temperature over heat, the thermostat limiter will shut off the power supply to avoid the risk of fire damage to the appliance.
17. The heaters must not be located immediately below a socket-outlet.
18. Do not insert or allow foreign objects to enter any ventilation or exhaust opening as this may cause an electric shock or fire, or damage the appliance.
19. To prevent a possible fire, do not block air intakes or exhaust in any manner. Do not use on soft surfaces, like bed, where opening may become blocked.
20. This appliance has hot and arcing or sparking parts inside. Do not use where gasoline, paint, or flammable liquids are used or stored. This fireplace should not be used as a drying rack for clothing. Christmas stockings or decorations should not be hung in area of it.
21. Use this appliance only as described in the manual. Any other use not recommended by the manufacturer may cause fire, electric shock or injury to persons.
22. Always plug heaters directly into a wall outlet/receptacle. Never use with an extension cord or relocatable power tap (outlet/power strip).

# SAVE THESE INSTRUCTIONS

# PACKAGE CONTENTS



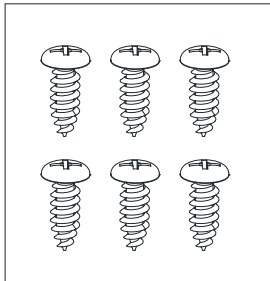
Fireplace



Remote Control



Manual



screws

# ELECTRICAL SPECIFICATIONS

Voltage: 120VAC

Rating: 1400 Watts

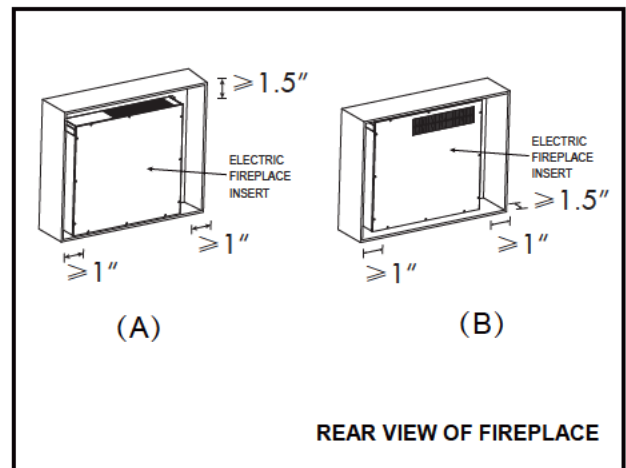
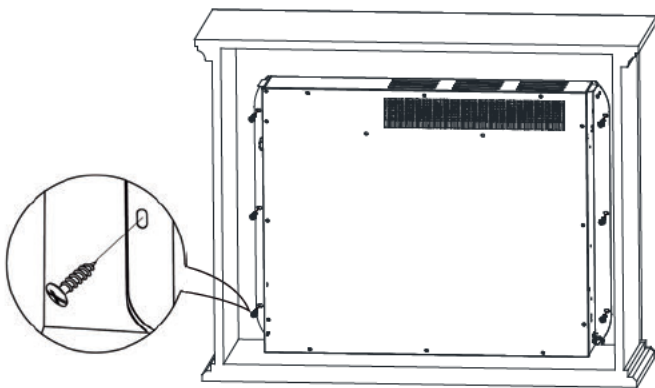
Frequency: 60Hz

# INSTALLATION INSTRUCTION

The unit comes standard with 6 feet (1.8M) three wire cord, exiting from the right of the fireplace. Plan the installation to avoid the use of an extension cord.

When choosing a final location, make sure you will have clear access to grounded electrical outlet. Position your completed mantel close to its final location. Make sure you can access the back of the mantel as your electric fireplace appliance will be installed from back.

Unpack the fireplace carefully. Position the fireplace behind the mantel with front facing the wood mantel. With the help of an adult assistant, lift the fireplace and gently slide it into the opening in the mantel. Make sure the fireplace is centered left and right in the opening. Be careful when placing fireplace and adjusting, bottom of fireplace could scratch the finish of the base/hearth of your wood mantel.

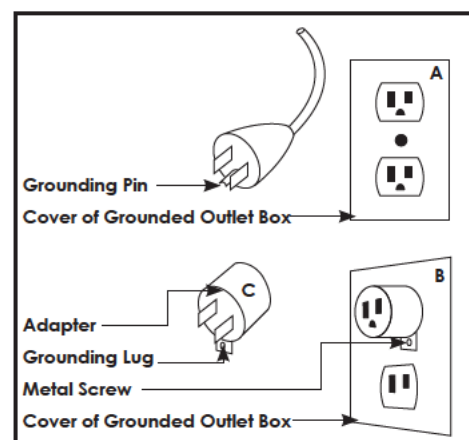


## GROUNDING INSTRUCTIONS:

This heater is for use on 120 volts. The cord has a plug as shown at (A) in figure 2. An adapter as shown at (C) is available for connecting three-blade grounding-type plugs to two-slot receptacles. The green grounding lug extending from the adapter must be connected to a permanent ground such as a properly grounded outlet box. The adapter should not be used if a three-slot grounded receptacle is available.

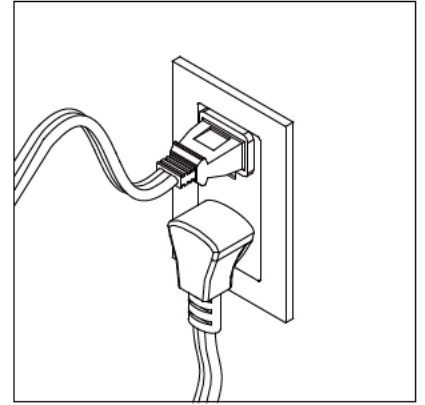
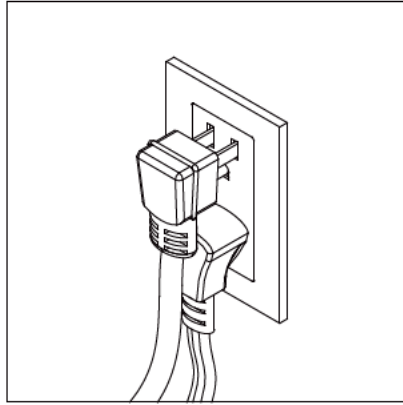
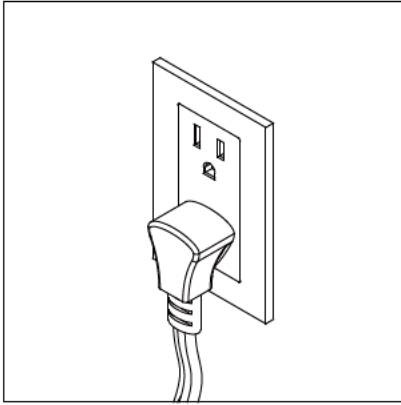
**NOTE: Adapters are NOT for use in Canada.**

Figure 2

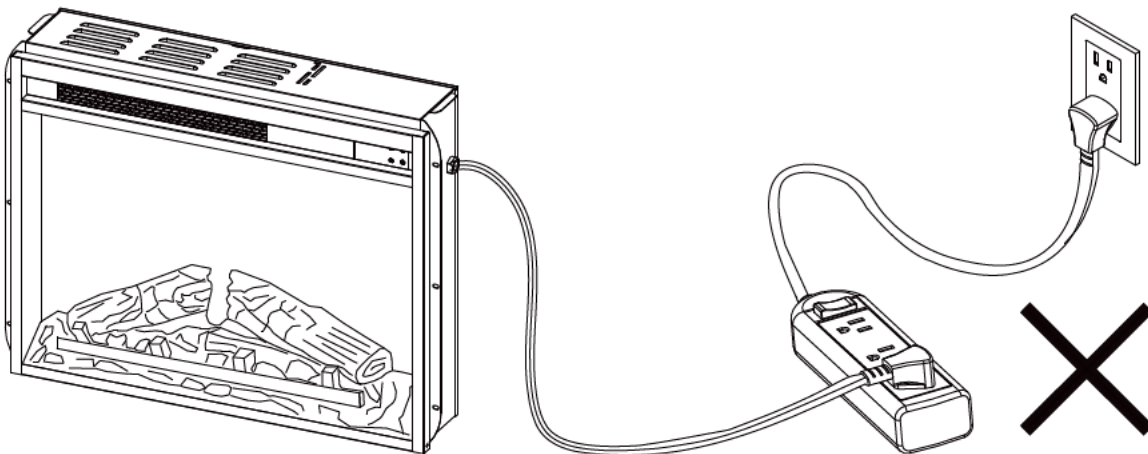




**Do not share a socket with other appliances when using electric fireplace, please use a dedicated socket.**



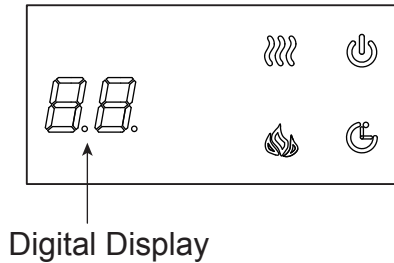
**Never use with an extension cord or relocatable power tap (outlet / power strip).**



# OPERATING INSTRUCTION

## Control panel

On the top-right of the electric fireplace is the mechanical control panel. This panel contains the buttons to properly operate the electric fireplace.



## POWER

The POWER button turns the fireplace on or off. It has a memory function. The button turns off all functions at once but retains the settings in the memory (except timer). By pressing the button again, the unit will turn on at the same settings. If the TIMER has set and time has expired, all functions will stop. Press the POWER button start the fireplace.

## FLAME

Each time the FLAME Button is pressed, the brightness of the flame changes. There are 4 brightness levels(L4-L1) and the OFF setting you can cycle through. When the flame is in OFF position and the heat is turned on, the ember bed will be slightly bright to indicate that the heat has been turned on.

## HEATER

The HEATER button turns the heat on and off. When in ON position, press and hold the HEATER button for 5 seconds to change the desired temperature. There are 11 temperature settings: 82 °F -ON -64 °F -66 °F - 68 °F -70 °F -72 °F -74 °F -76 °F -78 °F -80 °F (27 °C -ON-18 °C -19 °C -20 °C -21 °C -22 °C -23 °C - 24 °C -25 °C -26 °C). ON means the heater keep working.

**Temperature unit convert function:** The heater includes Celsius and Fahrenheit temperature scales. To change the temperature unit, turn the heater on, and then press and hold the Power Button for 5 seconds. The current temperature unit display will flash 3 times and convert to the other temperature unit. Note: The remote control cannot convert the temperature units.

**Lock and Unlock Heater Function:** Press and hold the heater button for 10 seconds. The ember bed will flash 6 times, indicating that the heater function is locked. To unlock the heater function, press and hold the heater button for 10 seconds. The ember bed will flash 6 times, indicating the heater function is unlocked. Note: The remote cannot set the lock and unlock heater function.

## TIMER

The TIMER has adjustable setting at range from 1 hour to 8 hours and OFF. As shown the following: 1h-2h-3h-4h-5h-6h-7h-8h-OFF. If the digital display turns on and nothing happens within 10 seconds, the digital display will auto shut off. Once you have set the timer, and the timer is up, close all the functions and enter standby mode. In this mode, you should touch the POWER button to restart the appliance.

## Control panel

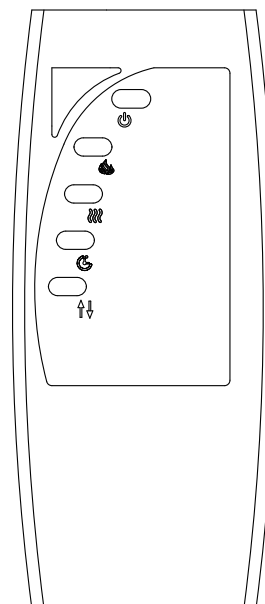
The remote control has an effective range of up to 19 ft..

## POWER

The POWER button turns the fireplace ON and OFF.

## FLAME

Each time the FLAME Button is pressed, the brightness of the flame changes. There are 4 brightness levels(L4-L1) and the OFF setting you can cycle through. When the flame is in OFF position and the heat is turned on, the ember bed will be slightly bright to indicate that the heat has been turned on.



## HEATER

The HEATER button turns the heat ON and OFF. When in ON position, press the Increase/Decrease button to change the desired temperature. There are 11 temperature settings: 82 °F -ON - 64 °F - 66 °F - 68 °F -70 °F -72 °F -74 °F -76 °F -78 °F -80 °F (27 °C -ON - 18 °C -19 °C - 20 °C -21 °C -22 °C -23 °C - 24 °C -25 °C -26 °C). ON means the heater keep working.

## TIMER

Press the timer control button to turn the timer on.

Continue pressing the TIMER button to cycle through the timer setting from 1h to 8h and off.

## Level Increase/Decrease

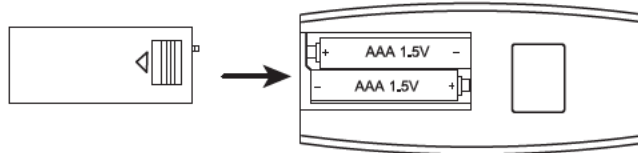
The Level Increase/Decrease Button only used to change the temperature settings.

# BATTERY REPLACEMENT

The battery compartment is located on the back end of the remote control.

1. Press and slide the battery cover open.
2. Insert two 1.5V (AAA) batteries ensuring they are installed correctly with regard to the polarities (+ and -) marked on the inside of the battery compartment.
3. Replace the battery cover.

NOTE: The batteries should be removed if the product is to be left unused for a long time.



When replacing the batteries, replace both batteries at the same time with new batteries of the correct type.

- Do not mix old and new batteries.
- Do not mix alkaline, standard (Carbon-Zinc), or rechargeable (Nicad, Nimh, etc) batteries.

## FCC STATEMENT

This device complies with part 15 of the FCC Rules. Operation is subject to the following two conditions: (1) This device may not cause harmful interference, and (2) this device must accept any interference received, including interference that may cause undesired operation.

This equipment has been tested and found to comply with the limits for a Class B digital device, pursuant to part 15 of the FCC Rules. These limits are designed to provide reasonable protection against harmful interference in a residential installation. This equipment generates, uses and can radiate radio frequency energy and, if not installed and used in accordance with the instructions, may cause harmful interference to radio communications. However, there is no guarantee that interference will not occur in a particular installation. If this equipment does cause harmful interference to radio or television reception, which can be determined by turning the equipment off and on, the user is encouraged to try to correct the interference by one or more of the following measures:

- Reorient or relocate the receiving antenna.
- Increase the separation between the equipment and receiver.
- Connect the equipment into an outlet on a circuit different from that to which the receiver is connected.
- Consult the dealer or an experienced radio/TV technician for help.

**CAUTION:** Changes or modifications not expressly approved by the party responsible for compliance could void the user's authority to operate the equipment.

# MAINTENANCE

Clean the metal trim using a soft cloth, slightly dampened with citrus oil based product and buff with a clean soft cloth.

DO NOT use brass polish or household cleaners as these products will damage the metal trim. Citrus oil based products can be obtained at supermarkets or hardware stores.

The motors used on the fan and the flame generator assembly are pre-lubricated for extended bearing life and require no further lubrication. However, periodic cleaning/vacuuming of the fan/heater unit is recommended. Make sure the unit is turn OFF and unplugged whenever you are cleaning the heater of fireplace.



**WARNING** : Make sure the power is turned off before proceeding. Any electrical repairs or rewiring of this unit should be carried out by a licensed electrician in accordance with national and local codes. If repairing or replacing any electrical component or wiring, the original wire routing, color coding and securing locations must be followed.



**WARNING** : Electric outlet wiring must comply with local building codes and other applicable regulations to reduce risk of fire, electric shock and injury to persons.



**WARNING** : Do not use this fireplace if any part of it has been under water. Immediately call a qualified service technician to inspect the fireplace and replace any part of the electrical system.



**WARNING** : Disconnect power before attempting any maintenance or cleaning to reduce the risk of fire, electrical shock or personal injury.



**WARNING** : During any service of this appliance, the power to the unit must be turned off, Always remember to remove the electrical plug from the wall outlet.



**WARNING**: When the heater is not in use, the heater should be stored in a dry location, away from possible damage. The power cord should be stored properly to avoid contact with hot or sharp objects.

# TROUBLESHOOTING

Fault code	Fault Cause	Solution
E3	Heater is not working	Turn the unit off and unplug it from the electrical outlet. Check for dirty or clogged vents. Clean the dust and debris from the vent area. Wait 5 minutes, plug in the fireplace, and then turn it back on. If the heater still doesn't work, contact customer service.

# 1 YEAR LIMITED WARRANTY

Our electrical fireplace is free from manufacturing and material defects for a period of one year from date of purchase, subject to the following conditions and limitations.

1. This electric fireplace must be installed and operated at all times in accordance with the installation and operating instructions furnished with the product, Any unauthorized repair, alteration, willful abuse, accident, or misuse of the product shall nullify this warranty.
2. This warranty is non-transferable, and is made to the original owner, provided that the purchase was made through an authorized supplier of the company.
3. The warranty is limited to the repair or replacement of parts found to be defective in material or workmanship, provided that such part(s) have been subjected to normal conditions of use and service, after said defect is confirmed by the Company's inspection.
4. The Company may, at its discretion, fully discharge all obligation with respect to this warranty by refunding the wholesale price of the defective part(s).
5. Any installation, labor, construction, transportation, or other related costs/expenses arising from defective part(s), repair, replacement, or otherwise of same, will not be covered by this warranty, nor shall the Company assume responsibility for same.
6. The owner/user assumes all other risks, if any, including the risk of any direct, indirect or consequential loss or damage arising out of the use, or inability to use the product, except as provided by law.
7. All other warranties-expressed or implied-with respect to the product, its components and accessories, or any obligation/liabilities on the part of the Company are hereby expressly included.
8. The Company neither assumes, nor authorizes any third party to assume, on its behalf, any other liabilities with respect to the sale of our product.
9. The warranties as outlined within this document do not apply to 3rd party accessories used in conjunction with the installation of this product.

This warranty is void if :

- a. The fireplace is subjected to prolonged periods of dampness or condensation.
- b. Any unauthorized alteration, willful abuse, accident, or misuse of the product.
- c. You do not have the original receipt of purchase.