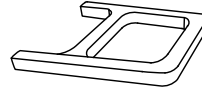
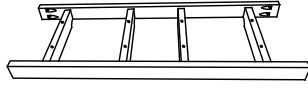


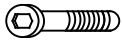
ASSEMBLY INSTRUCTIONS

BENCH

A Cushion Seat **B** Top Frame **C** Leg Frame **D** Cross Bar



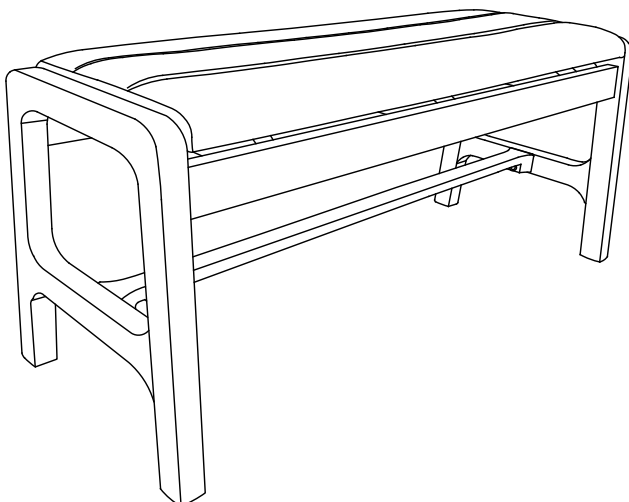
E 1 pc JCBC Bolt M6 x 55mm **F** 1 pc Lock Washer M8 x 12mm **G** 2 pcs Flat Washer M8 x 13mm **H** 1 pc Flat Washer M8 x 18mm



I 10 pcs Wood Screw M5 x 38mm **J** 10 pcs Wood Dowel M8 x 30mm **K** 8 pcs Allen Key M4 2 pcs

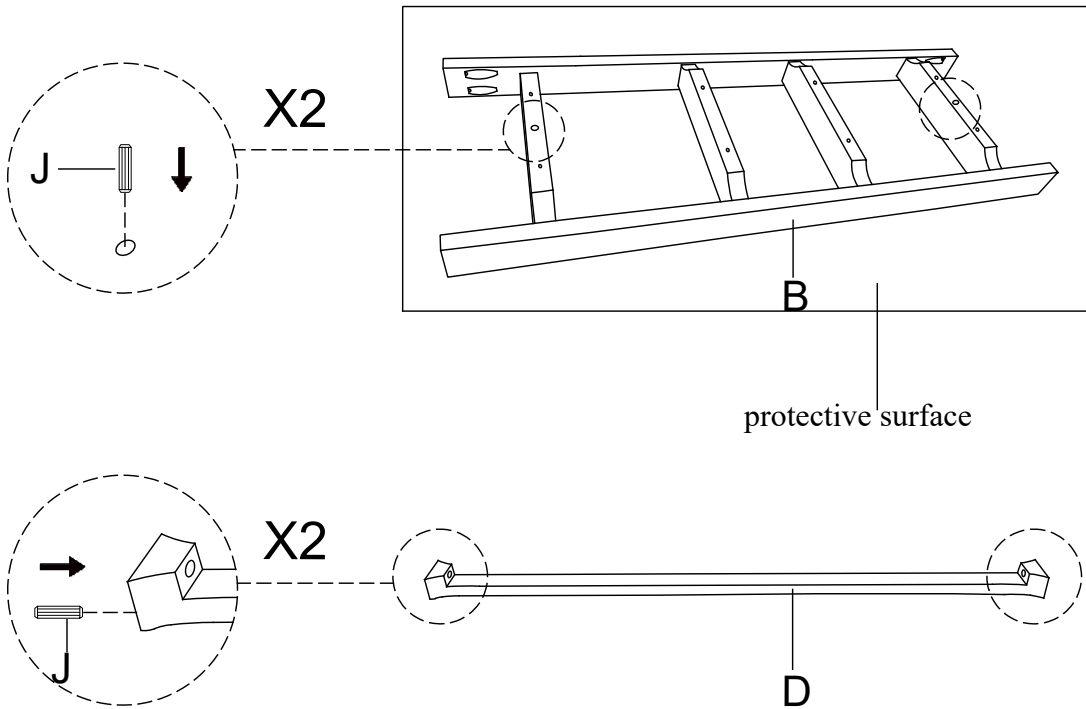


8 pcs 4 pcs 4 pcs



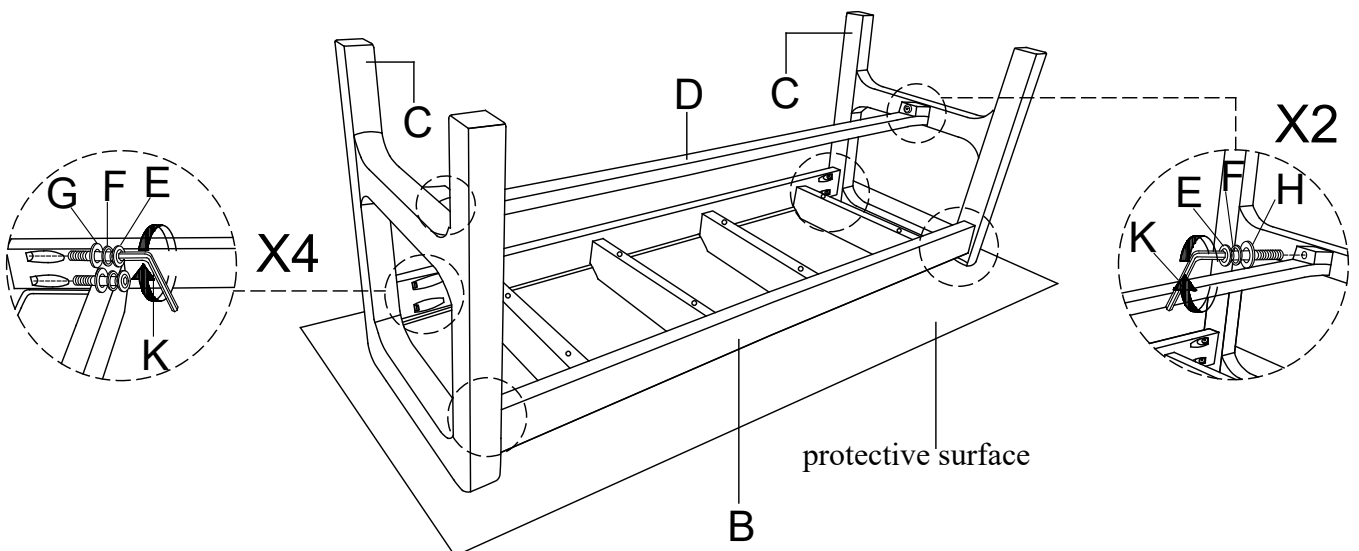
This page lists all the contents included in the box. Please take the time to identify the hardware as well as the individual components to this product. As you unpack and prepare for assembly, place the contents on a carpeted or padded area to protect them from damage.

1 Insert Wood Dowel (J) into the Top Frame (B) and the Cross Bar (D).



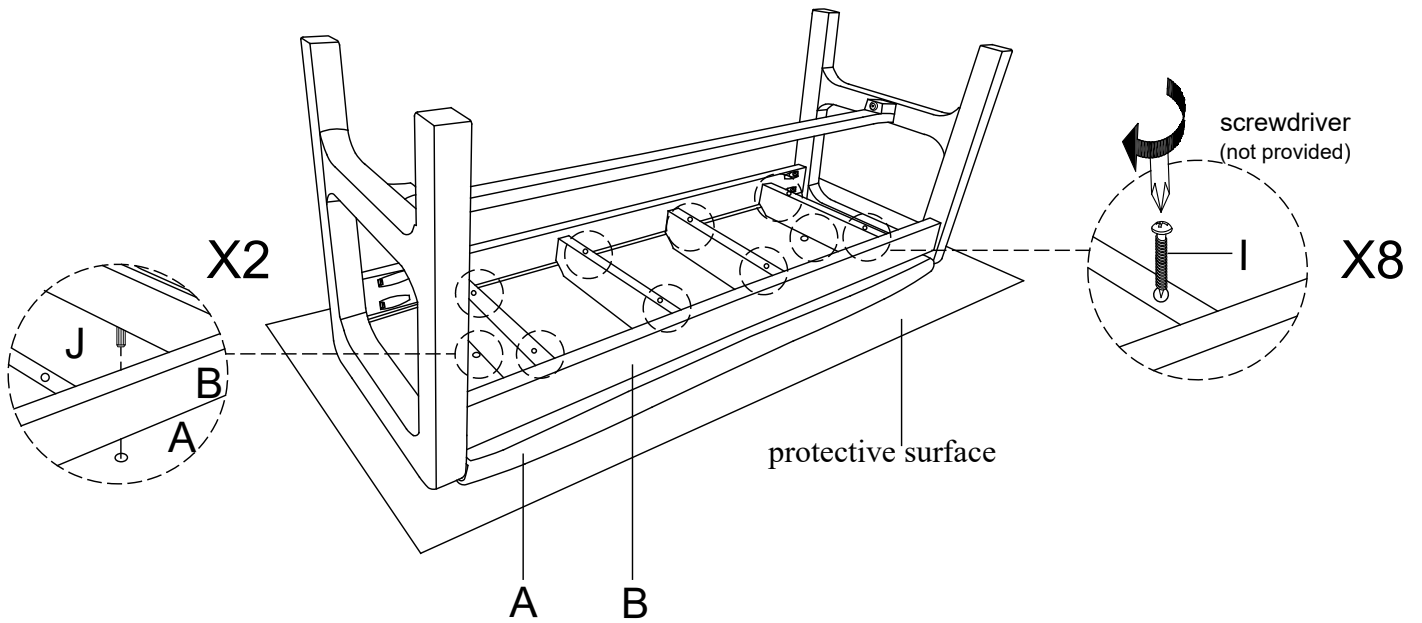
2 Place the Top Frame (B) on a protective surface. Attach the Leg Frame (C) to the Top Frame (B) using JCBC Bolt (E), Lock Washer (F) and Flat Washer (G) with Allen Key (K). Then attach the Cross Bar (D) to the Leg Frame (C) using JCBC Bolt (E), Lock Washer (F) and Flat Washer (H) with the Allen Key (K).

Take the Allen Key and turn the bolts until the frames and bar are secured. DO NOT TIGHTEN COMPLETELY. Stop when you feel you are adding force to tighten the bolt.



3

Attach the Cushion Seat (A) and Top Frame (B) using Wood Dowel (J) and Wood Screw (I) with a screwdriver (not provided).



Cleaning & Care

Treat surfaces with care. Surfaces are resistant to scratches but are not scratch resistant. Clean surfaces with a dry or damp soft cloth. Do not use abrasive cleaners. Hardware may loosen over time. Periodically check that all connections are tight.