

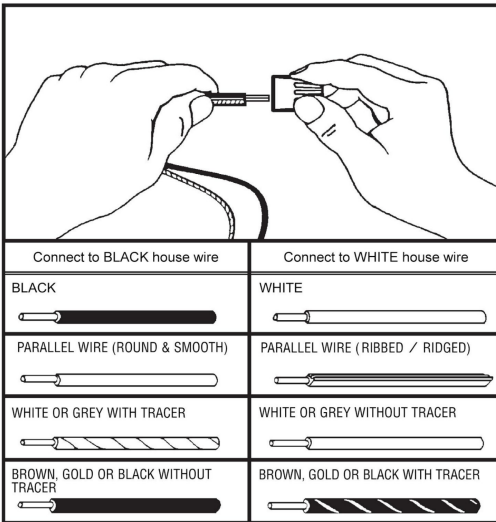
### **IMPORTANT SAFETY INSTRUCTIONS**

- To avoid injury or damage, mount only on a surface that is sturdy.
- To avoid electric shock, make sure the electricity is turned off at the main circuit breaker panel. If you are replacing an existing fixture, turn off the following in order: fixture, wall switch, and main fuse or breaker box.  
**Note: Some types of fuses must be unscrewed to shut the power off.**
- If you are unclear as to how to proceed, please consult a licensed electrician.

**UNPACK THE FIXTURE:** Check the contents of the box. Box should contain all items on the parts diagram.

### **INSTALLATION INSTRUCTIONS**

1. Measure the backplate height on Fixture Body (D) with measuring tape. Adjust Backplate Screws (E) on Mounting Plate (A) to the height of measured backplate plus 1/4" to allow them to protrude through the backplate during installation. Lock Backplate Screws (E) in place with the hex nuts.
2. Secure Mounting Plate (A) to the junction box (not included) using Mounting Screws (B) provided. Ensure Mounting Plate (A) is positioned with Backplate Screws (E) pointing away from junction box.
3. Place Fixture Body (D) against the wall by inserting Backplate Screws (E) through the appropriate holes located on the backplate. Adjust Backplate Screws (E) and hex nuts until 1/4" of the threaded portion is visible. Remove fixture from wall and set it aside.  
**Note: If 1/4" of Backplate Screws (E) are not visible, remove Fixture Body (D) and re-adjust Backplate Screws (E) to proper length and lock them in place with the hex nuts.**
4. Using the wire graph below, connect the appropriate wires from the fixture to the corresponding wires in the electrical junction box (not included) and secure Wire Connectors (C).



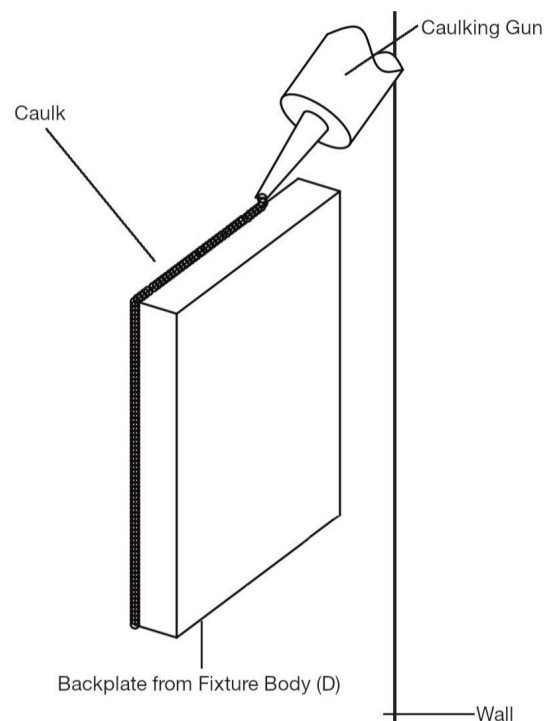
- A.** Connect the ground wire (bare copper or green) from your fixture to the:
- 1) ground wire in the junction box, or
  - 2) ground screw in the junction box
- B.** Connect the BLACK house wire to fixture hot wire that corresponds to diagram (black, round & smooth, white/grey with tracer, brown/gold without tracer).
- C.** Connect the WHITE house wire to fixture neutral wire that corresponds to diagram (white, ribbed/ridged, white/grey without tracer, brown/gold with tracer).

5. Place all wires and Wire Connectors (C) back into the junction box.
6. Place backplate of Fixture Body (D) against the wall, ensuring Backplate Screws (E) are protruding through the holes in Backplate (D). Secure the fixture in place to the Mounting Plate (A) with Decorative Caps (H). **If fixture doesn't sit flush against ceiling, remove fixture readjust Backplate Screws (E) and hex nuts.**
7. Install light bulb (not included) into Socket (F).
8. On top of Shade (G), lift the clips that hold the glass in place and remove the additional packaging material. Carefully bend the clips back into place to secure the glass.
9. Secure Shade (G) onto the holes of Fixture Body (D) with Shade Caps (I).  
**Note: Socket Ring (I) is attached to Socket (F). Remove it prior to installing Shade (G).**

## CAULKING INSTRUCTIONS

1. After securing Fixture Body (D) against the wall, seal entirely around the gap between the wall and backplate with good quality waterproof caulk or silicone sealant (not included) and allow to dry.

Enjoy your new fixture!



**HELPFUL TOOLS:** Safety Goggles, Screwdriver, Ladder, Measuring Tape, Caulk

