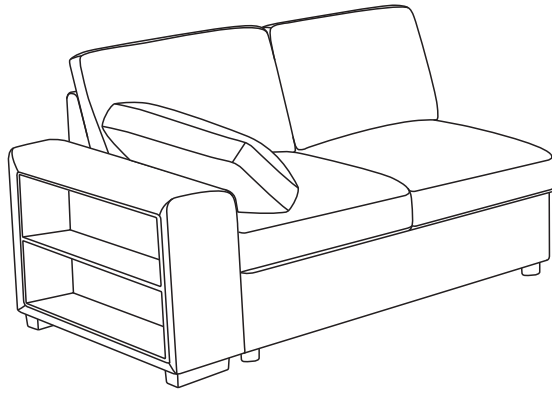
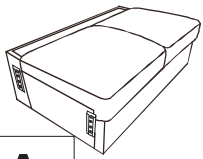


# ASSEMBLY INSTRUCTION

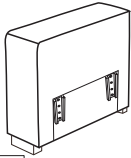


## PARTS LIST



**A**

X1



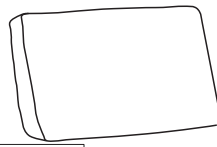
**B**

X1



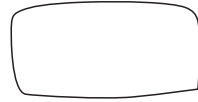
**C**

X1



**D**

X2



**E**

X1

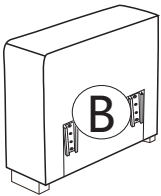
## HARDWARE LIST



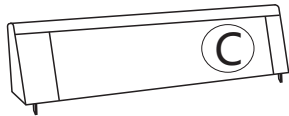
**1**

X4

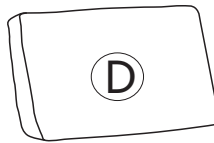
BOX-1



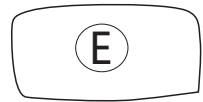
X1



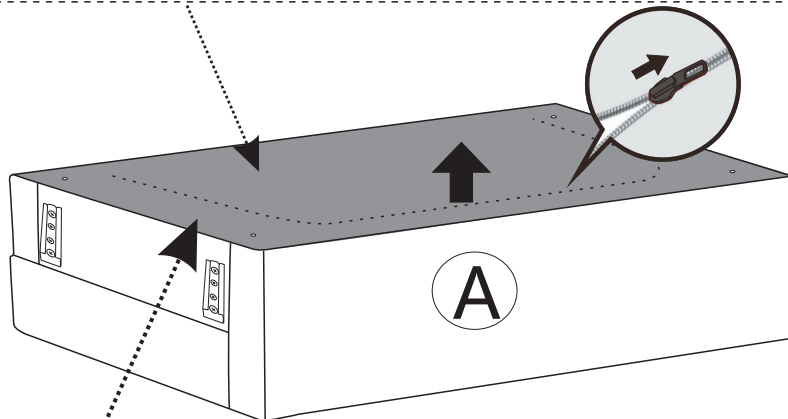
X1



X2



X1

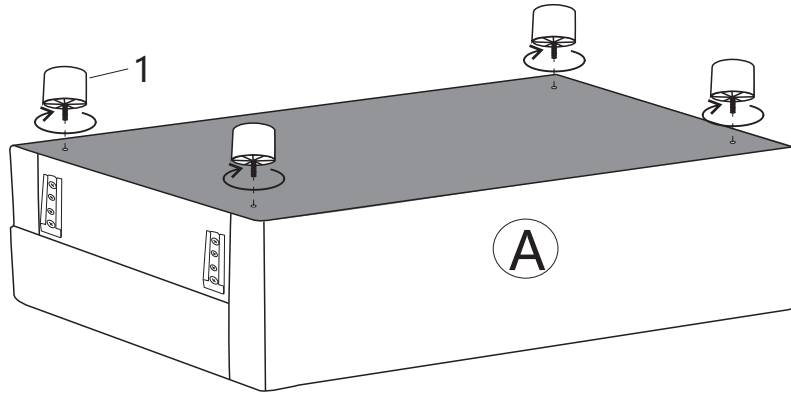


**1**

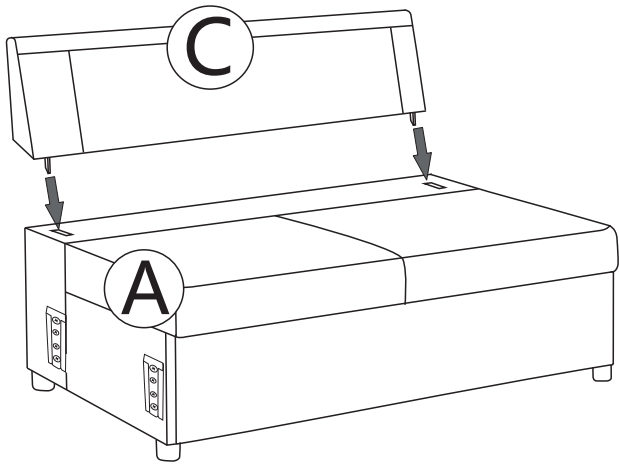


X4

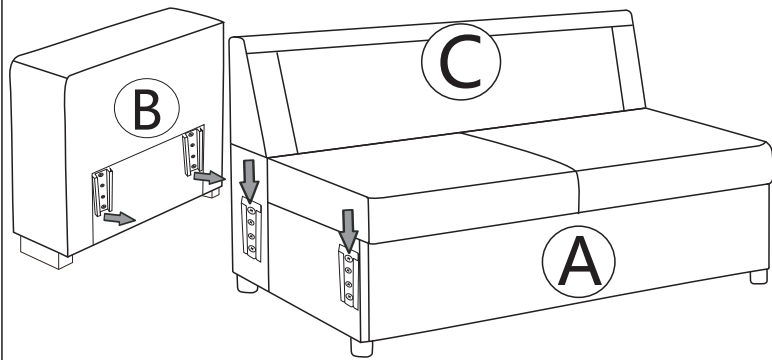
# Step1



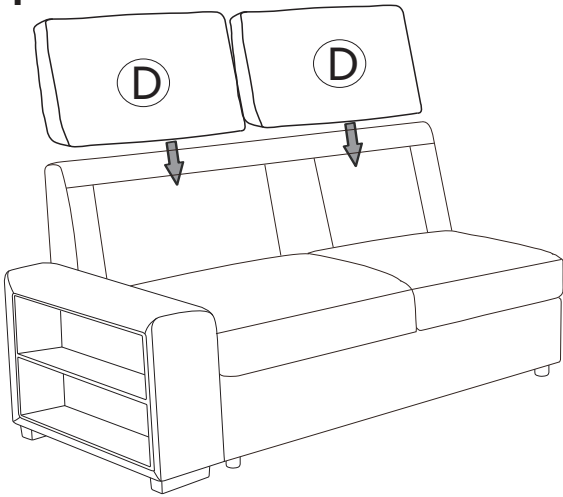
# Step2



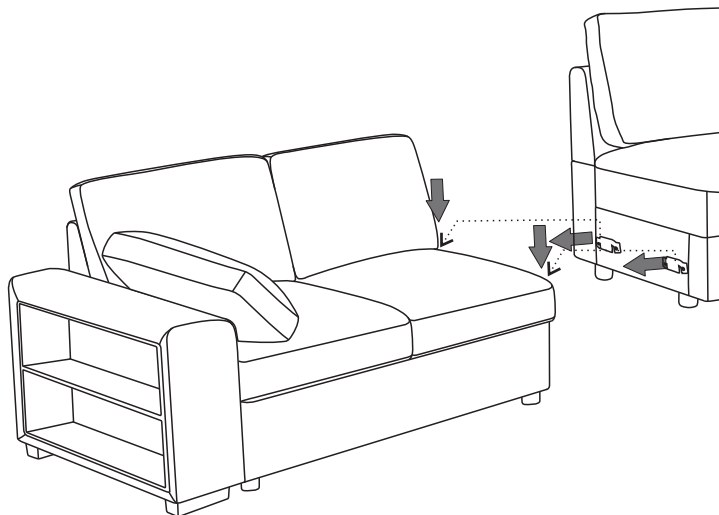
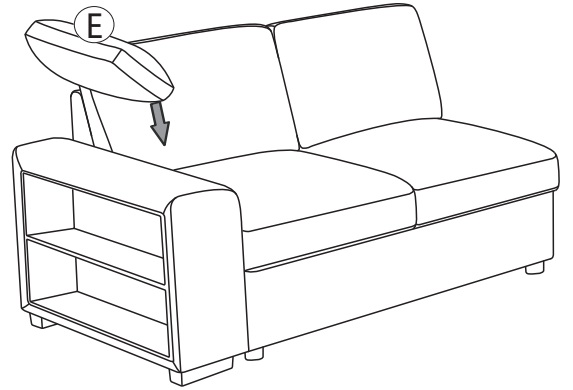
# Step3



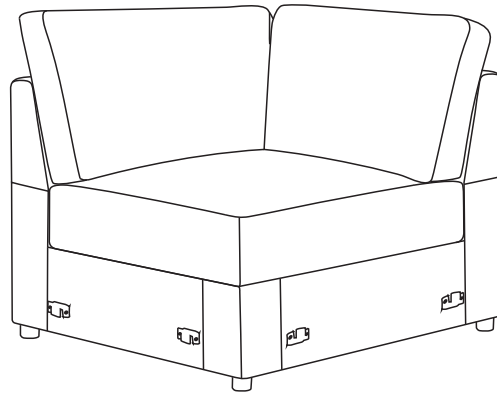
# Step4



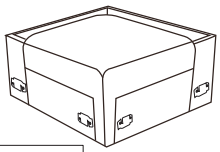
# Step5



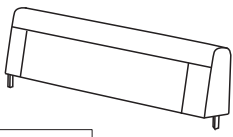
# ASSEMBLY INSTRUCTION



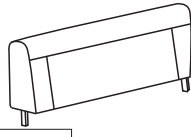
## PARTS LIST



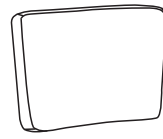
**A** X1



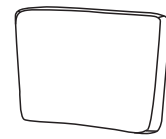
**B** X1



**C** X1



**D** X1

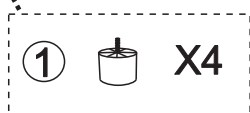
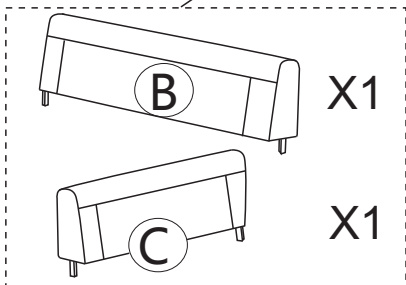
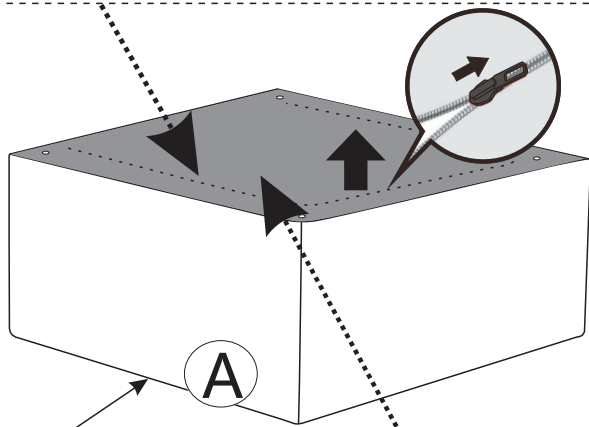


**E** X1

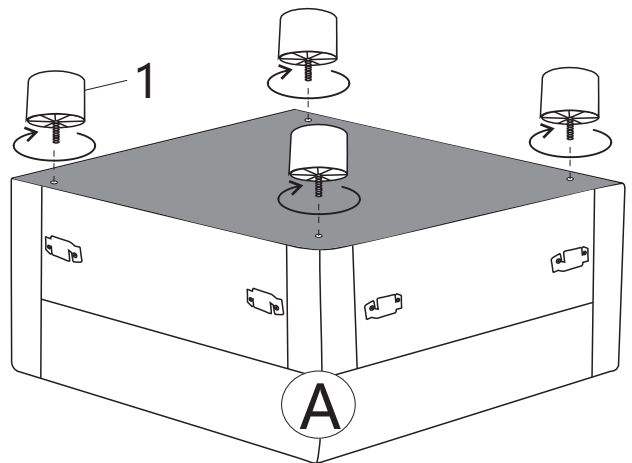
## HARDWARE LIST



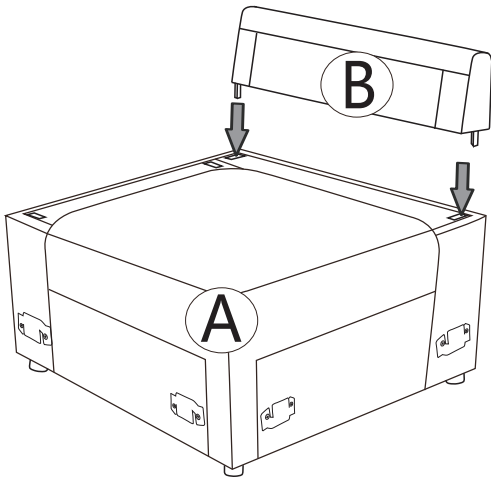
**1** X4



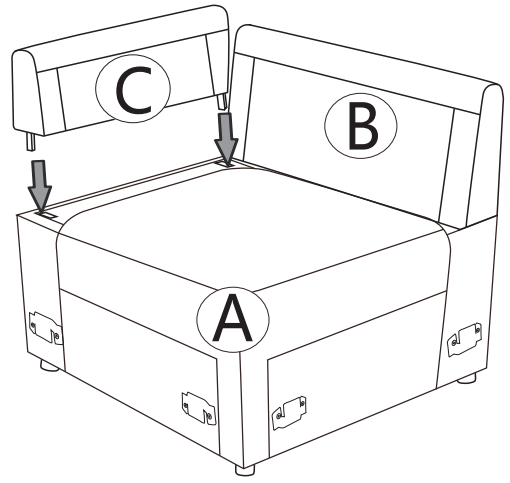
## Step 1



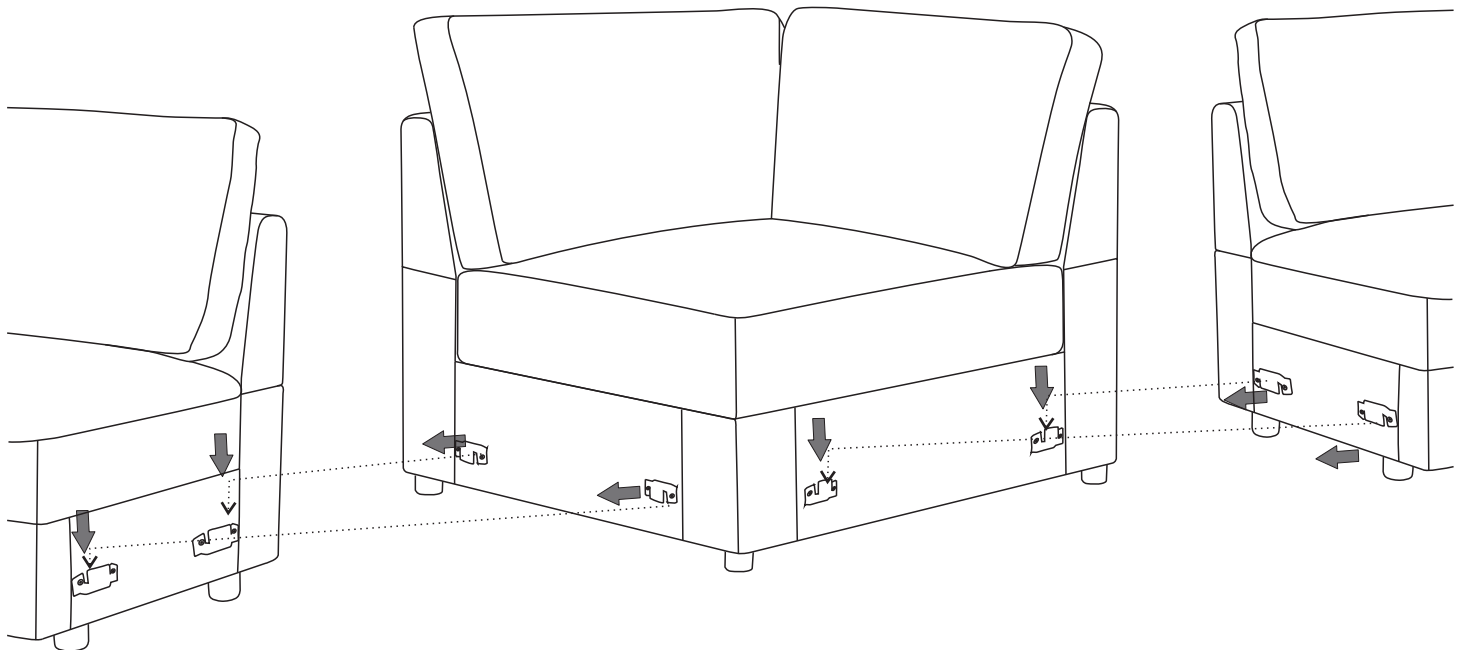
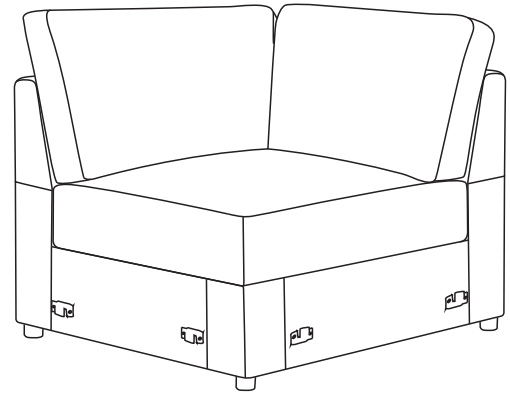
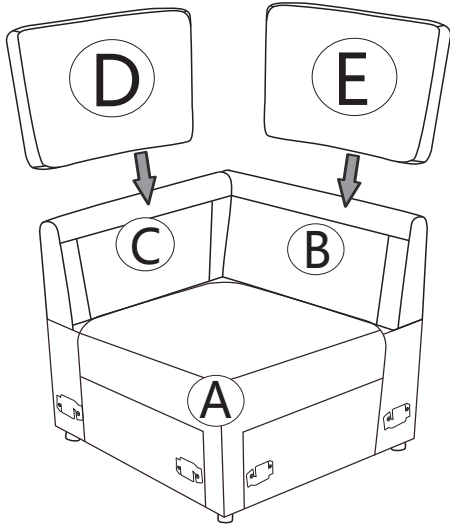
### Step2



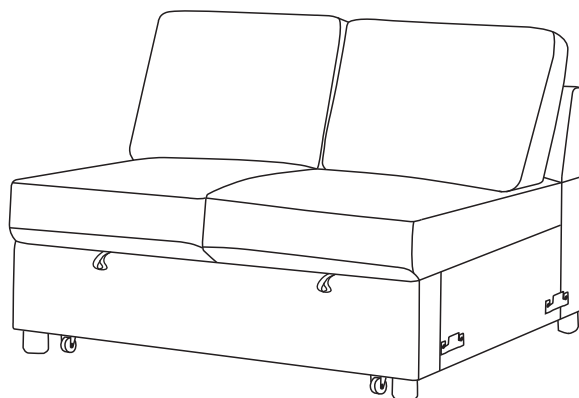
### Step3



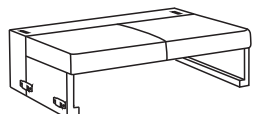
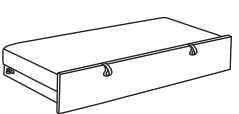
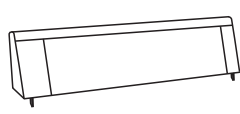
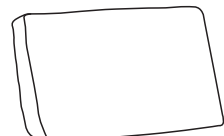
### Step4



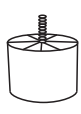
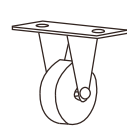
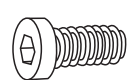

# ASSEMBLY INSTRUCTION







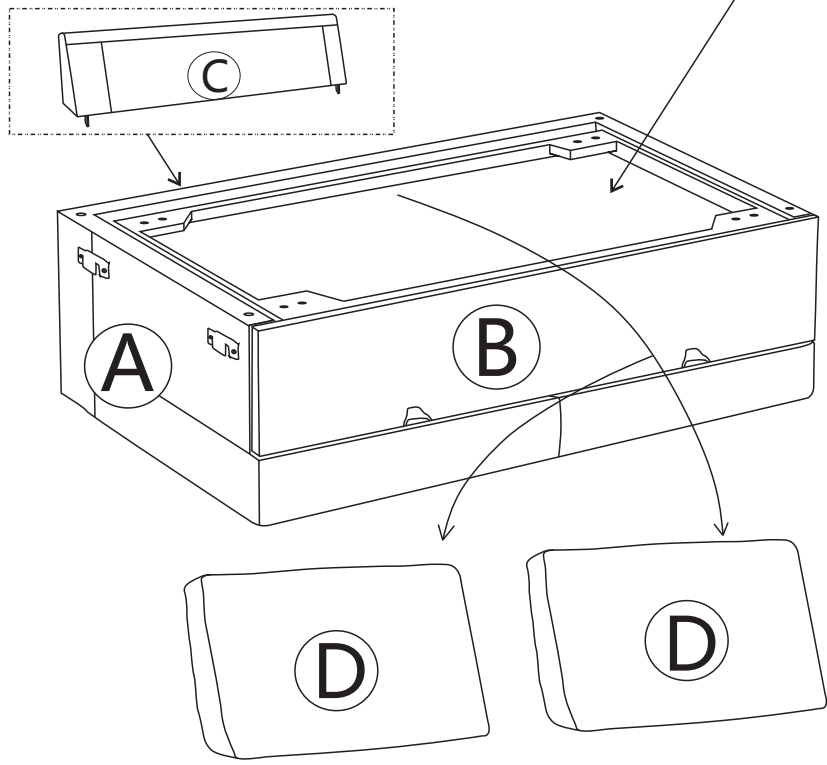
## PARTS LIST

			
<b>A</b>	<b>B</b>	<b>C</b>	<b>D</b>
X1	X1	X1	X2

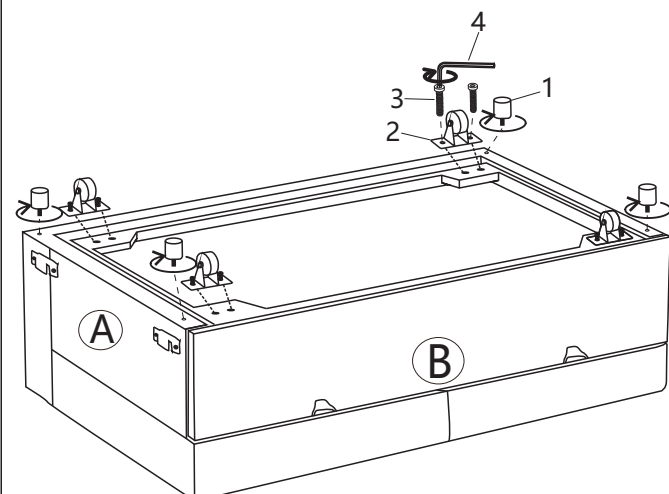
## HARDWARE LIST

			
<b>1</b>	<b>2</b>	<b>3</b>	<b>4</b>
X4	X4	M6X25 X8	M4 X1

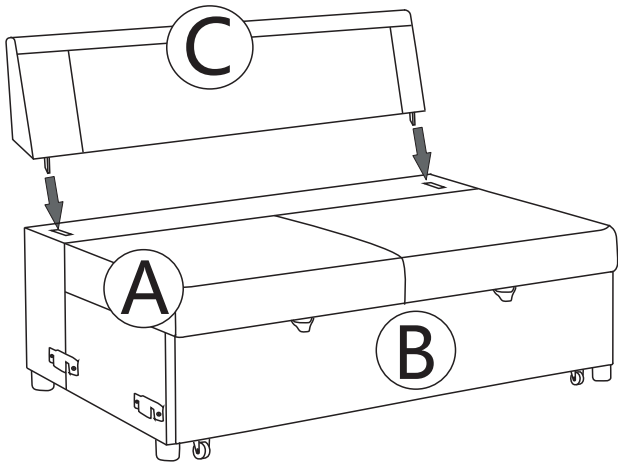
- |   |   |
|---|---|
| <b>1</b>  X4 | <b>3</b>  X8 |
| <b>2</b>  X4 | <b>4</b>  X1 |



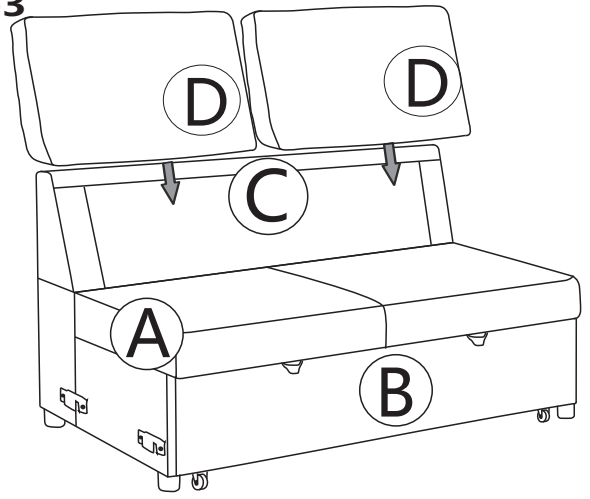
## Step 1



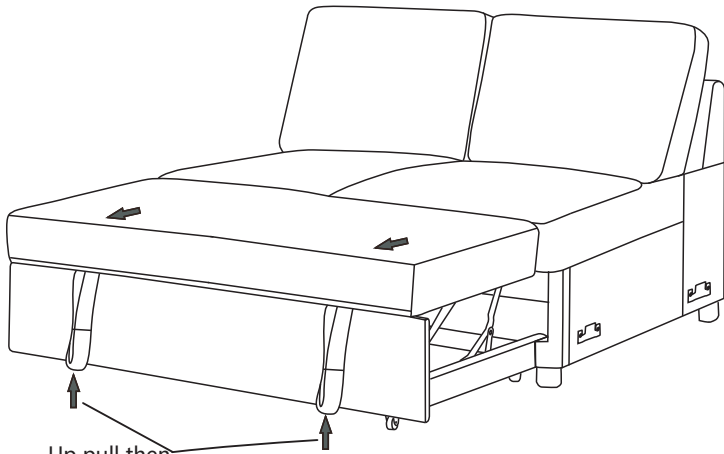
### Step2



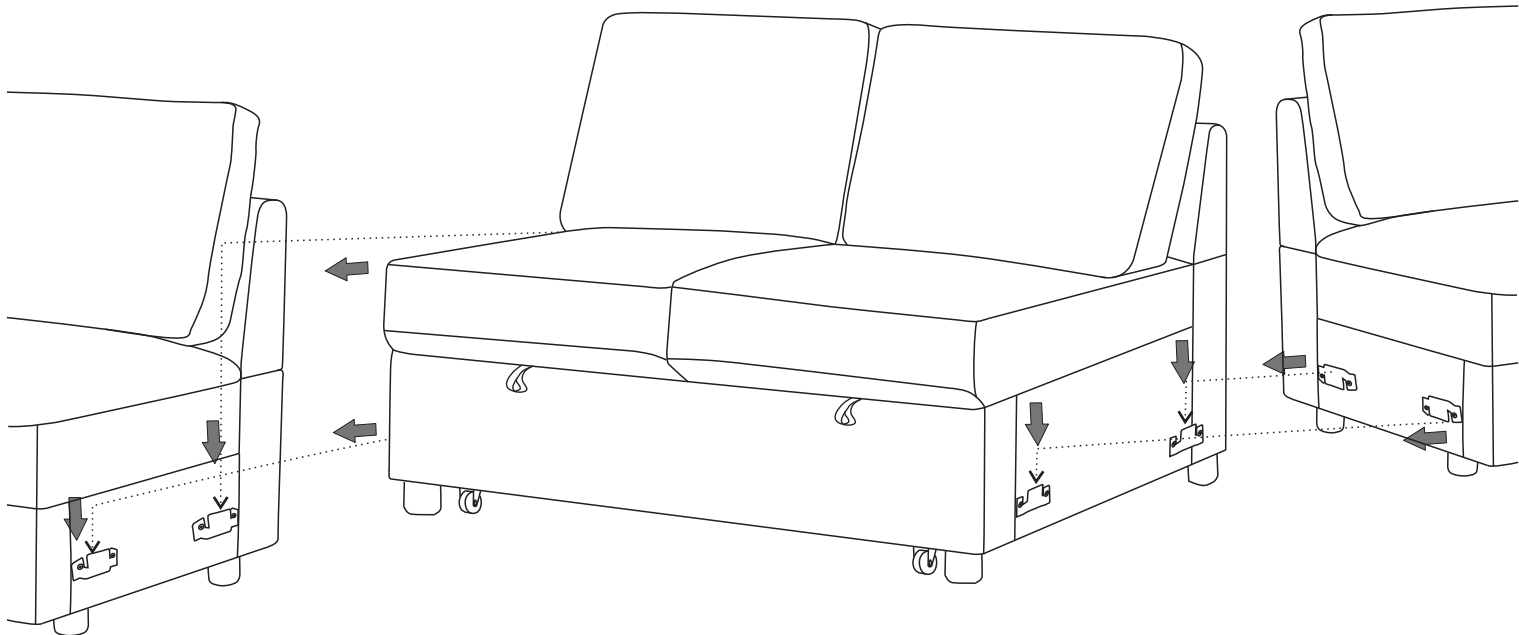
### Step3



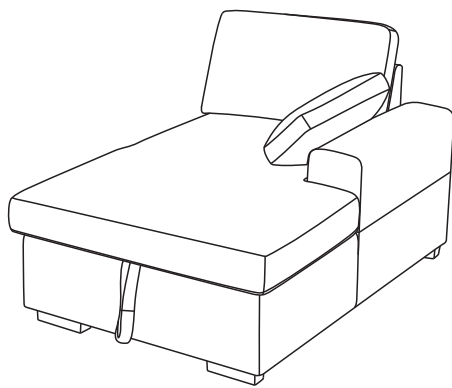
### Step4



Up pull then  
Forward pumping



# ASSEMBLY INSTRUCTION

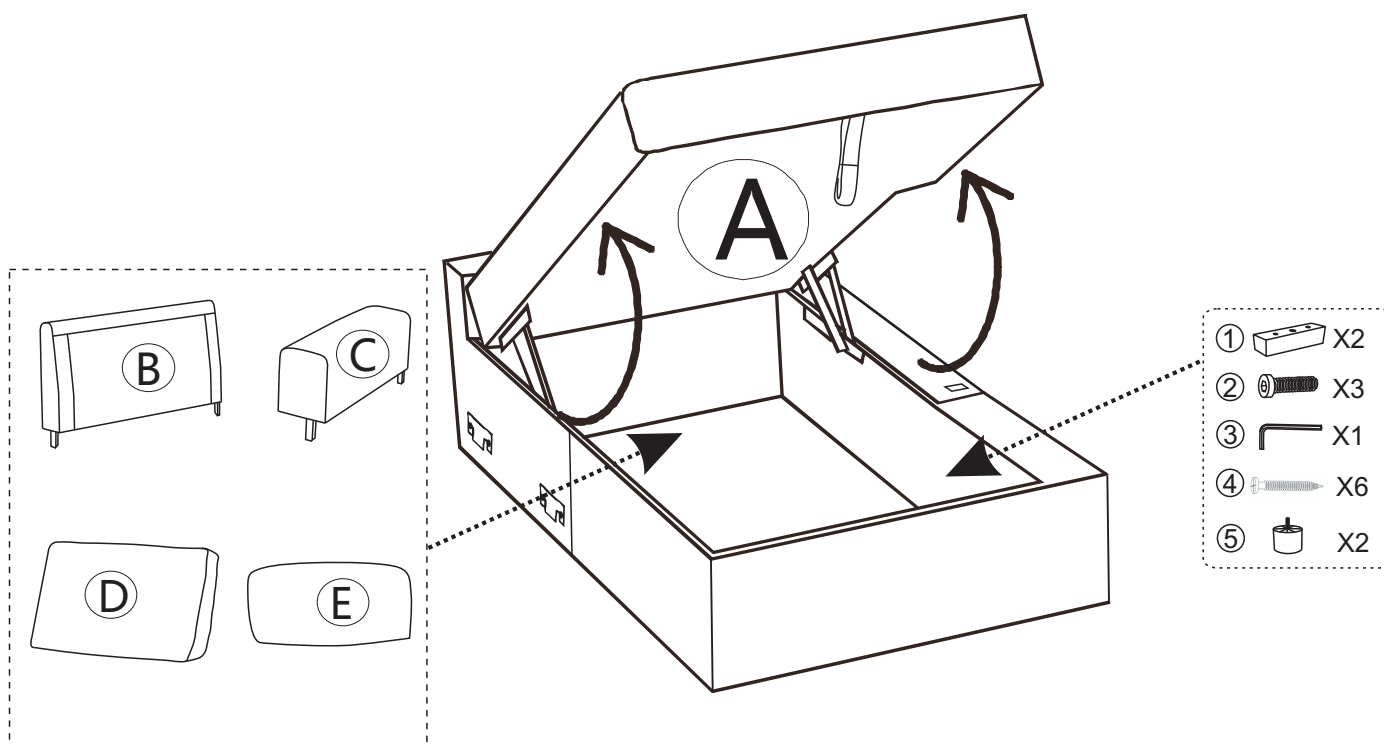


## PARTS LIST

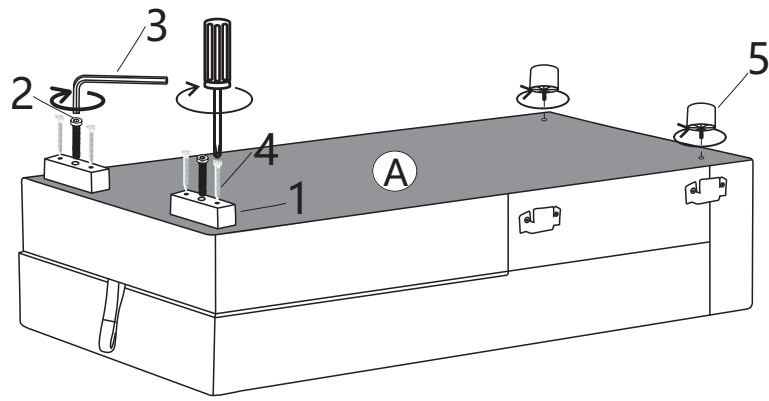
<b>A</b>	<b>B</b>	<b>C</b>	<b>D</b>	<b>E</b>	
X1	X1	X1	X1	X1	

## HARDWARE LIST

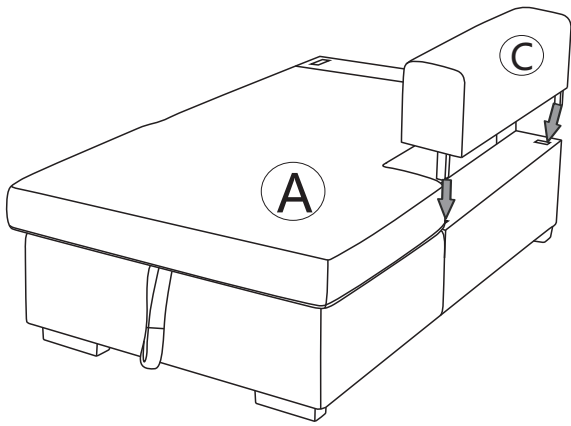
150x60x50mm	M8X60	M5	M5X50		
<b>1</b>	<b>2</b>	<b>3</b>	<b>4</b>	<b>5</b>	
X2	X3	X1	X6	X2	



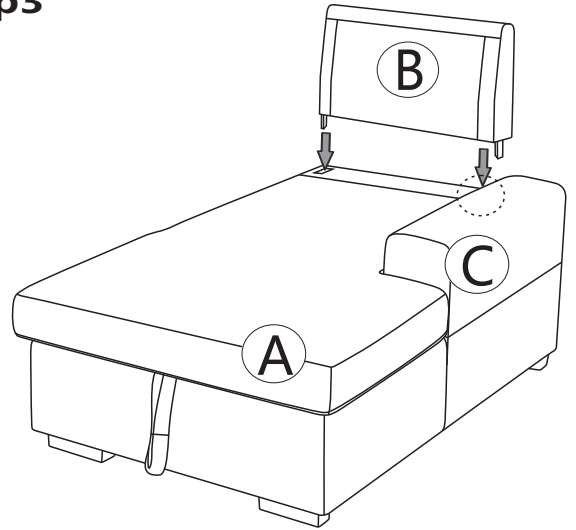
# Step1



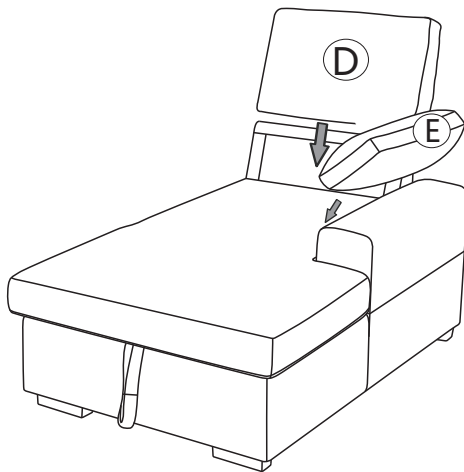
# Step2



# Step3



# Step4



# Step5

