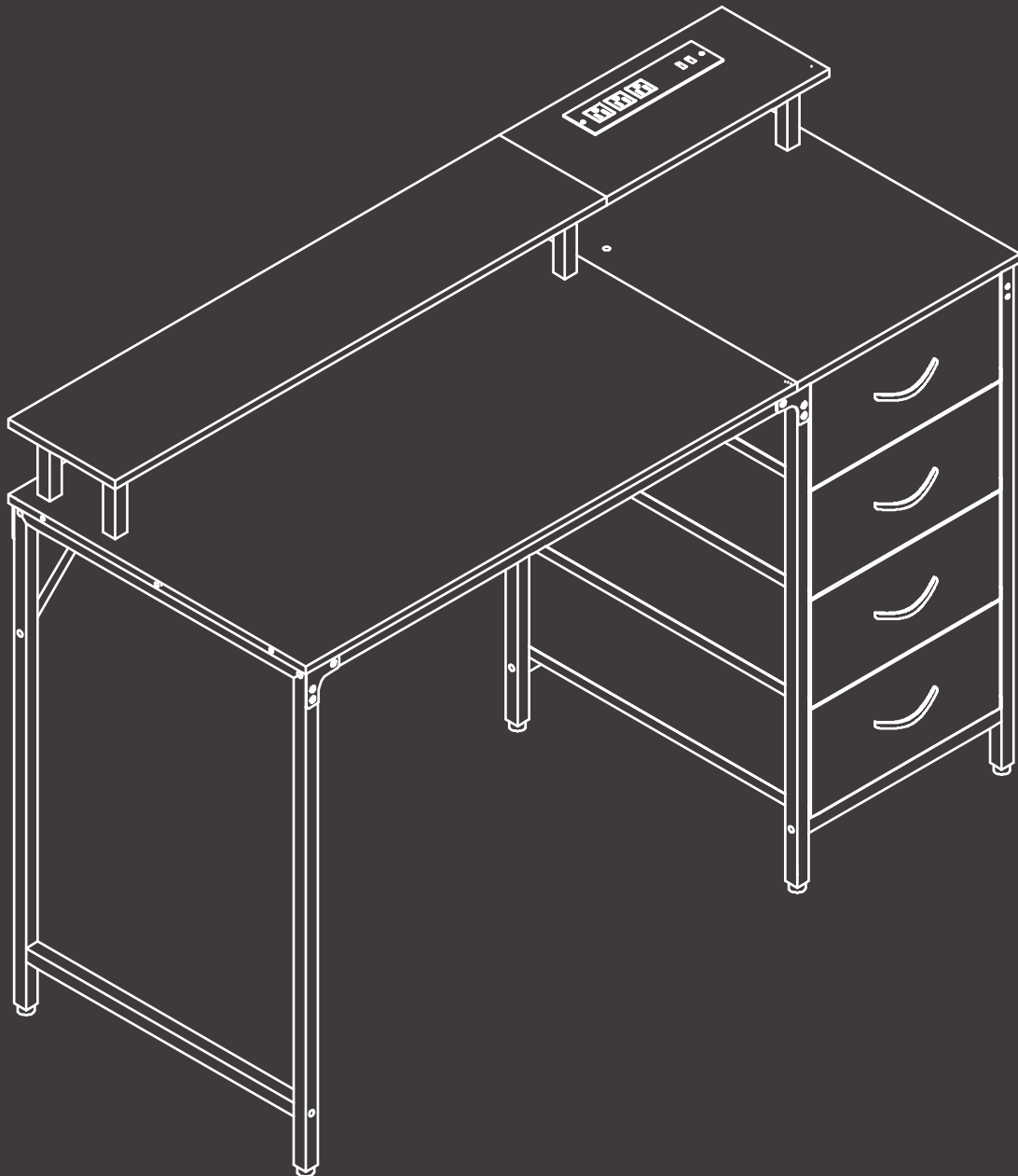
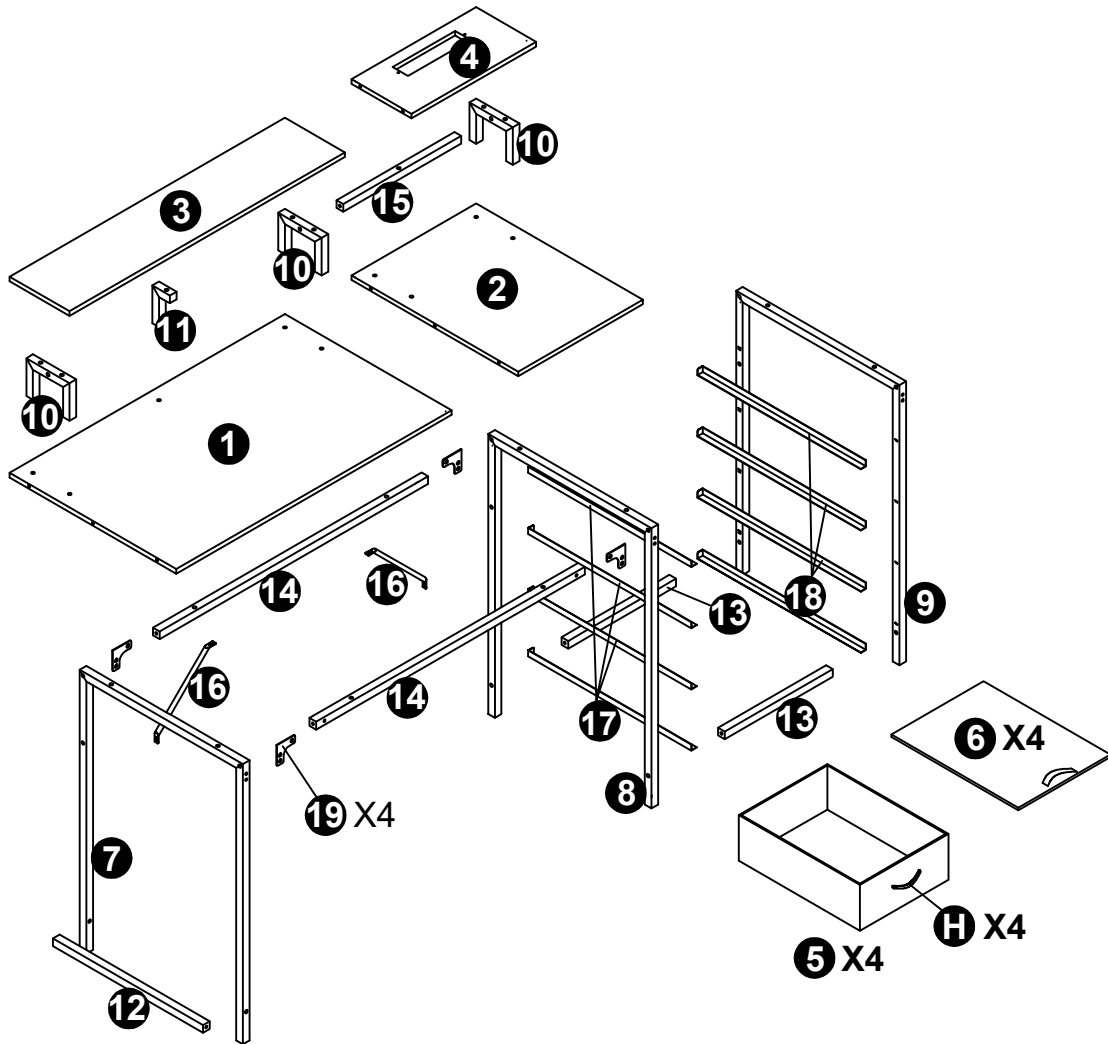


Computer Desk

Instruction Manual



EXPLODED VIEW



HARDWARE

Ax12



M6 x 40mm

Bx25



M6 x 28mm

Cx16



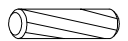
M6 x 15mm

Dx2



M6 x 15mm

Ex5



Ø6 x 40mm

Fx2



M3.5*12mm

Gx8



M4 x 10mm

Hx4



Mx1



Ix6



Jx2



Hole Stickers

Kx3

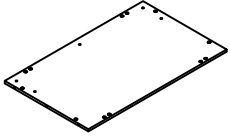


Lx1

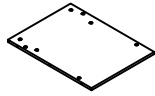


PARTS LIST

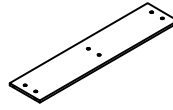
1x1



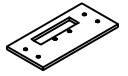
2x1



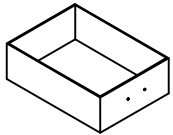
3x1



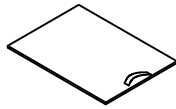
4x1



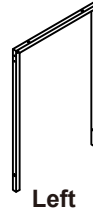
5x4



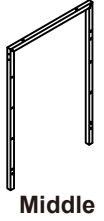
6x4



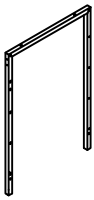
7x1



8x1

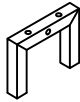


9x1



Right

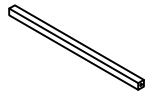
10x3



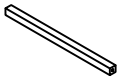
11x1



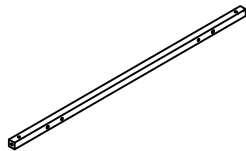
12x1



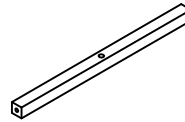
13x2



14x2



15x1



16x2

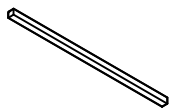


17x4



Left

18x4



Right

19x4



20x1

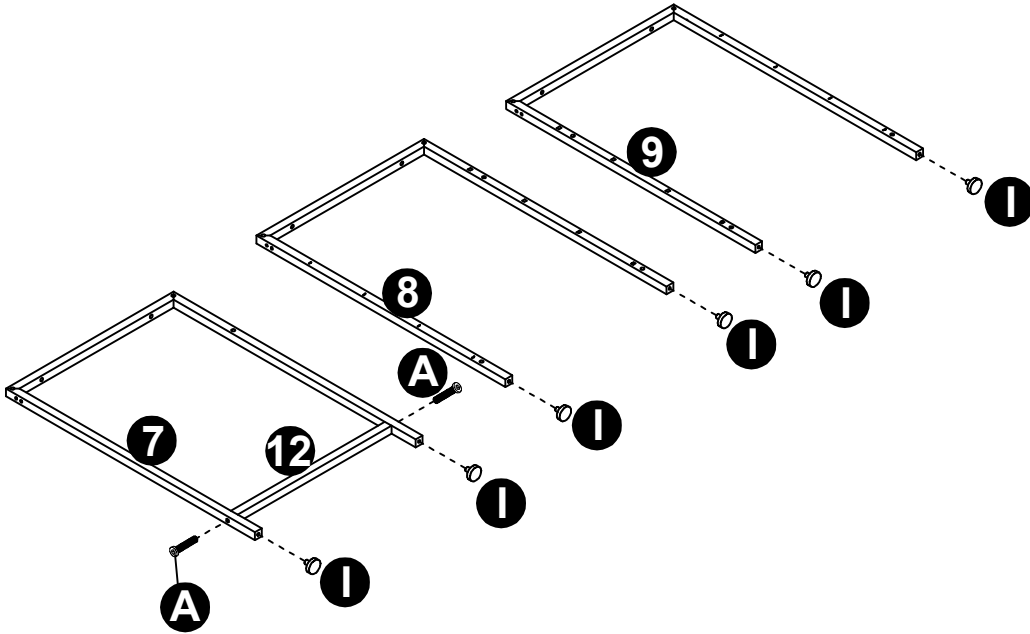
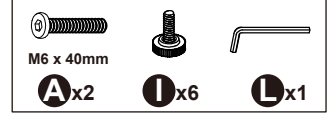


21x1

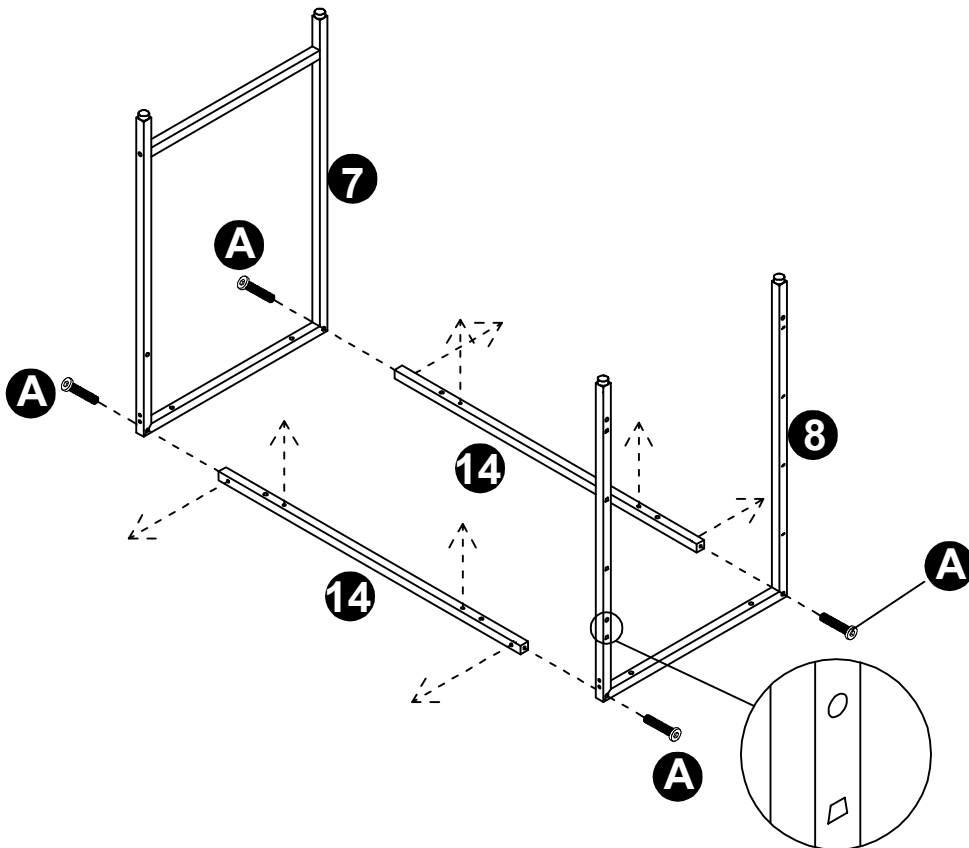
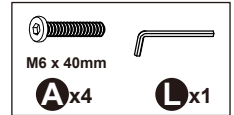
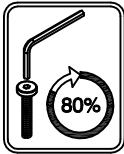


Assembly Instruction: Option ①

STEP 1

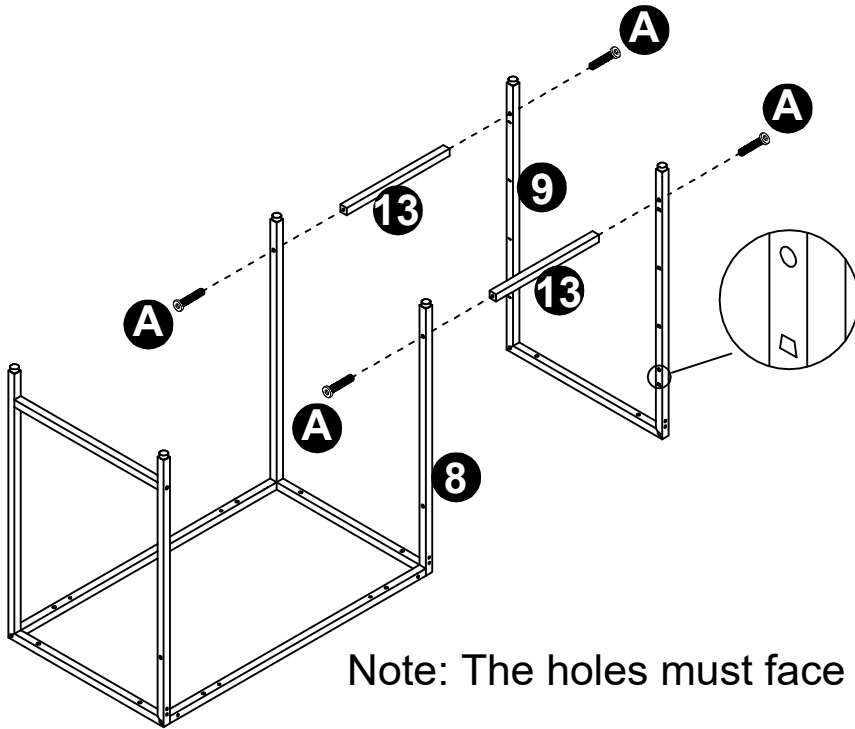
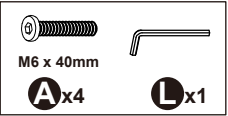
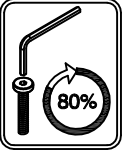


STEP 2



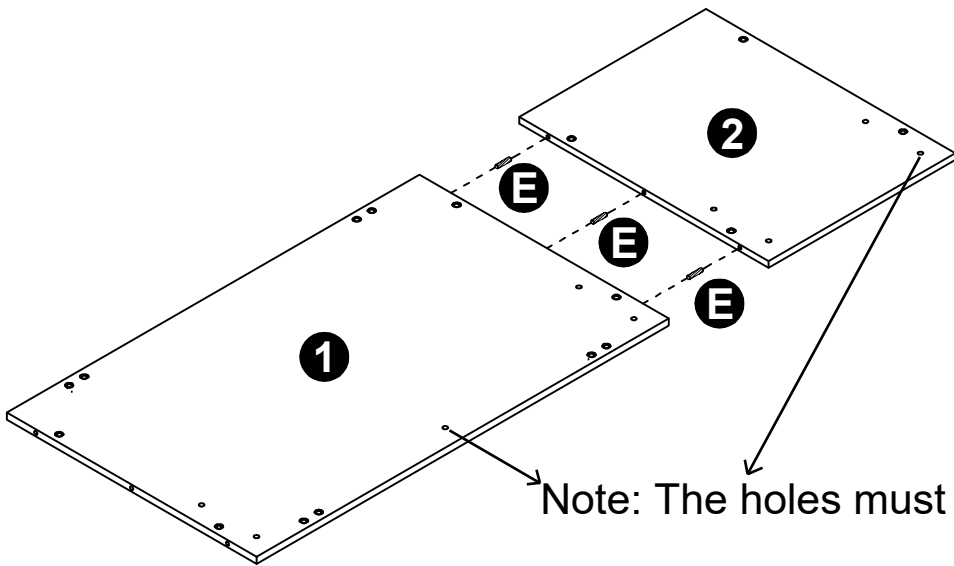
NOTE: The holes must face as shown.

STEP 3



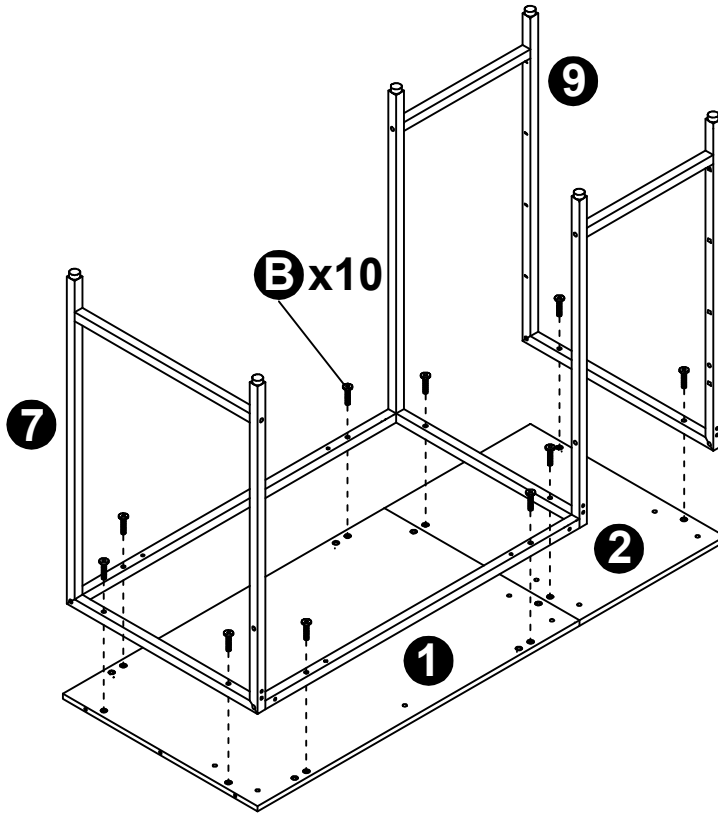
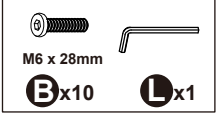
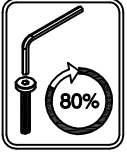
Note: The holes must face as shown.

STEP 4

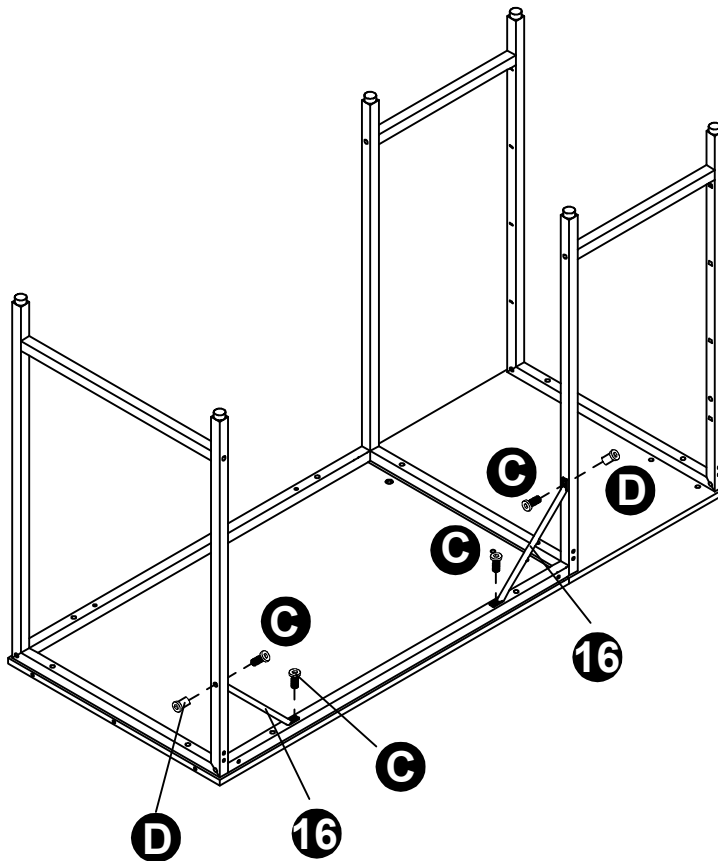


Note: The holes must face as shown

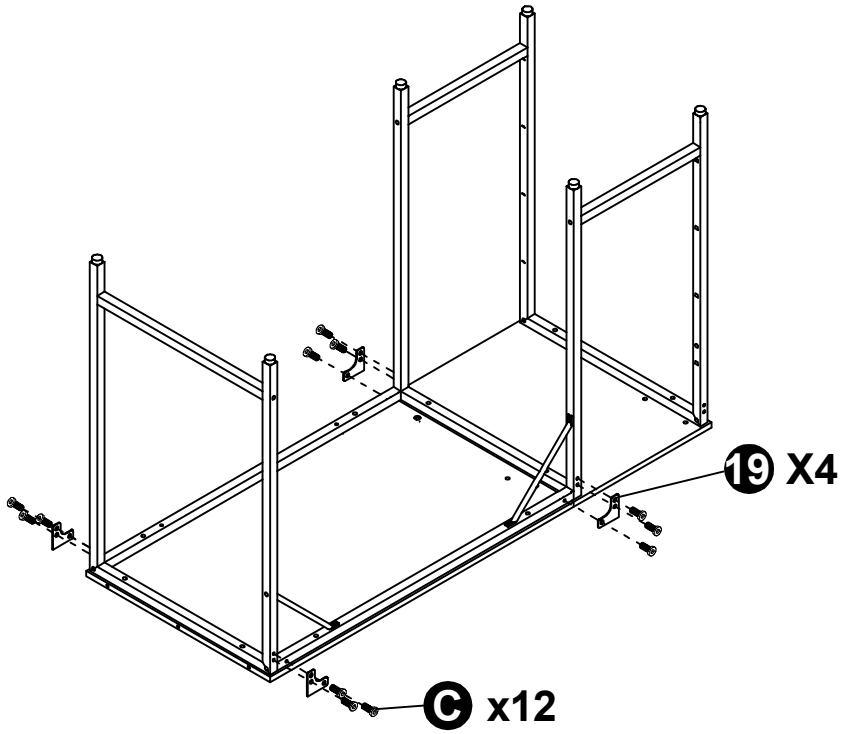
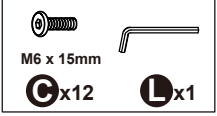
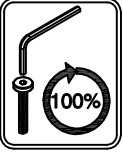
STEP 5



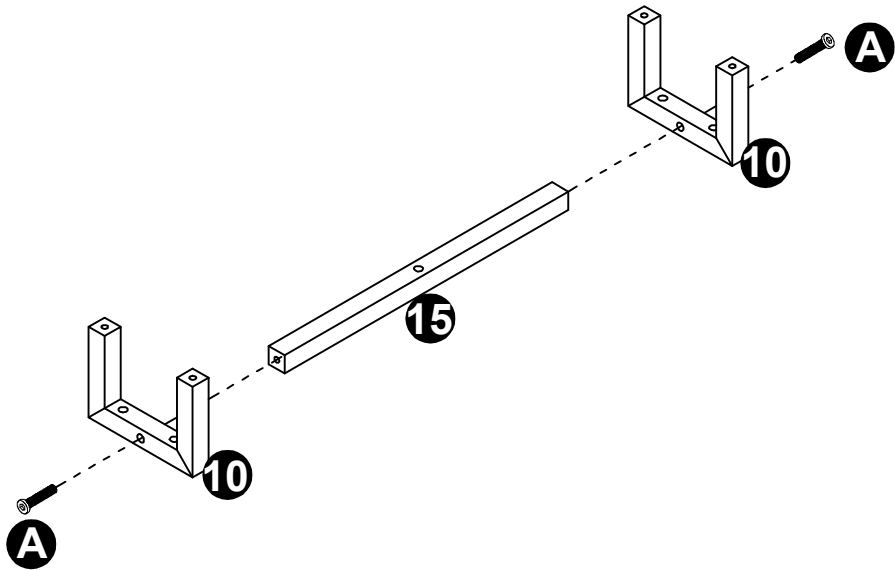
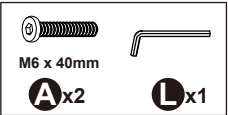
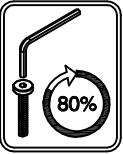
STEP 6



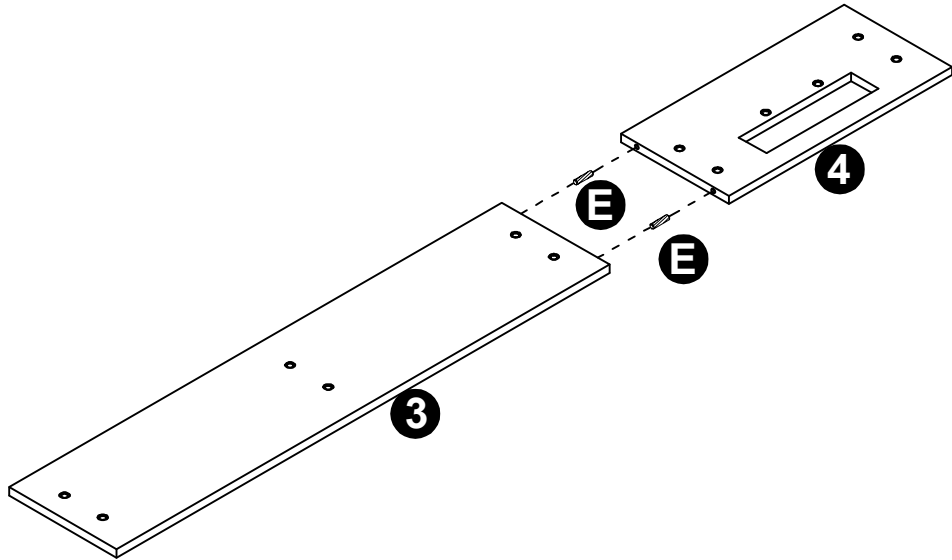
STEP 7



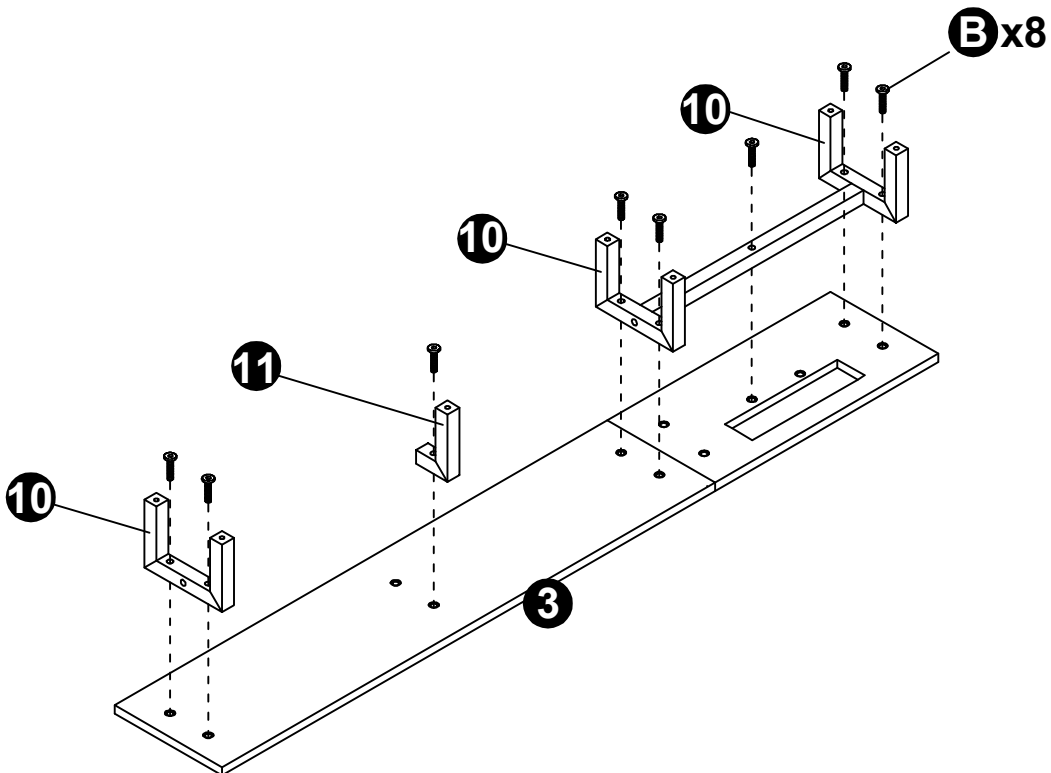
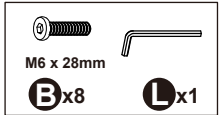
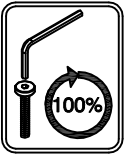
STEP 8



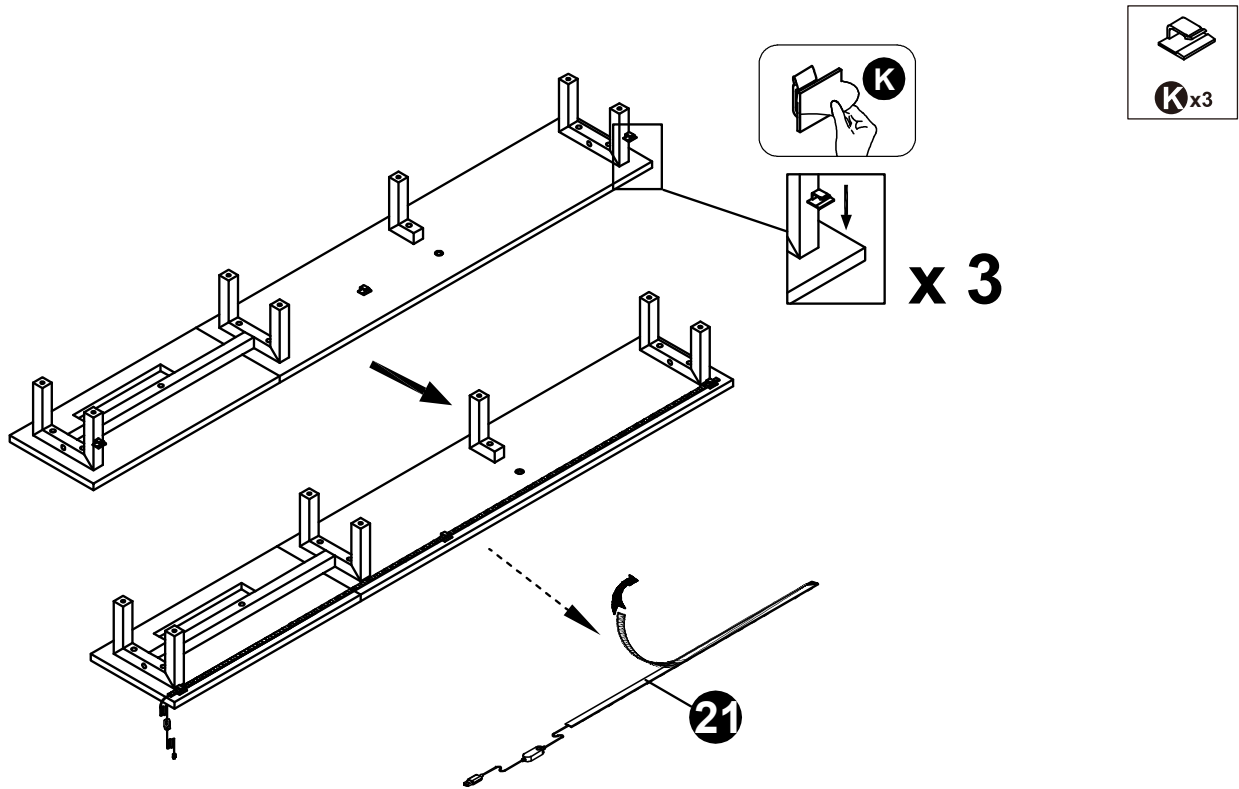
STEP 9



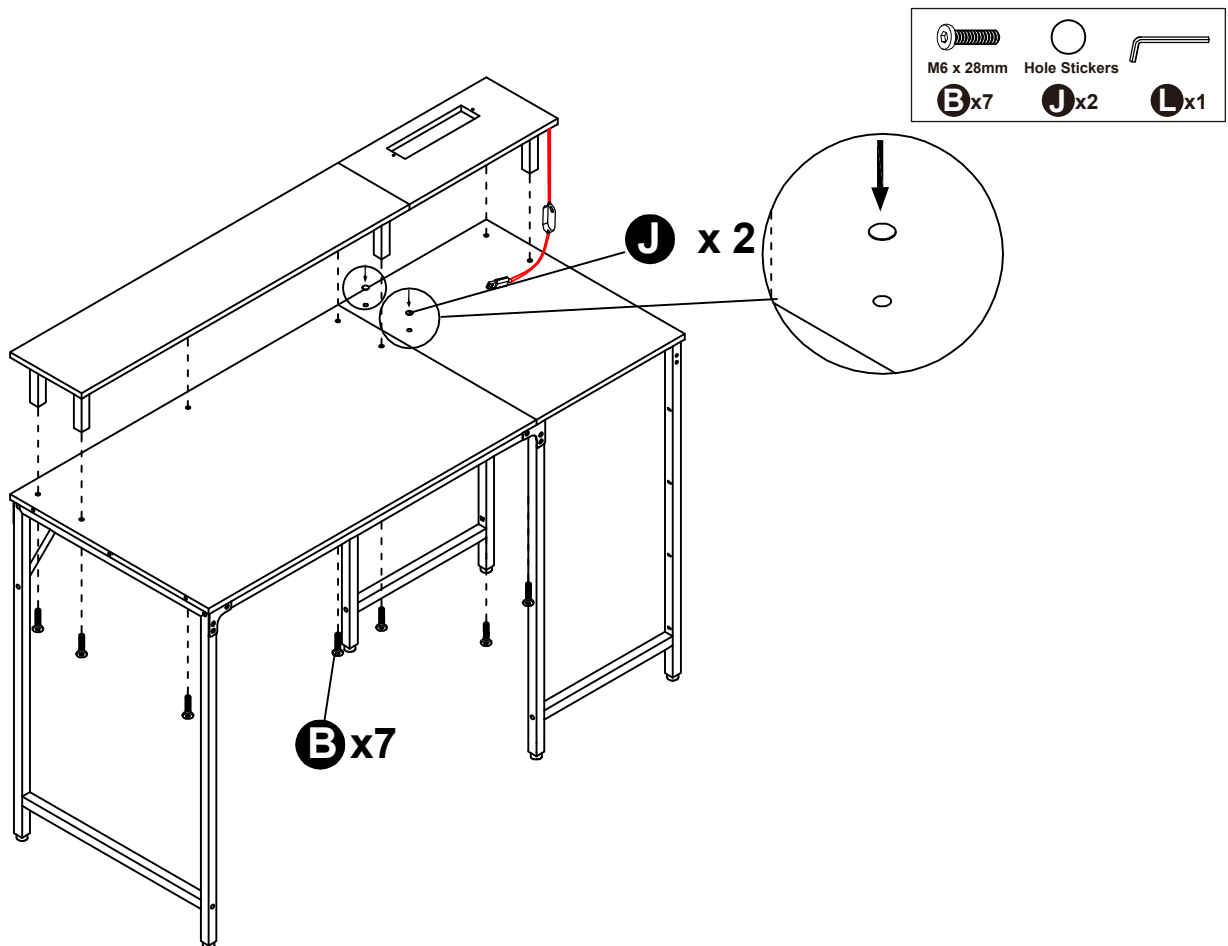
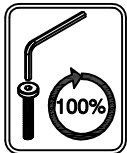
STEP 10



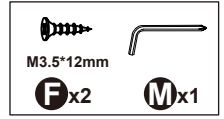
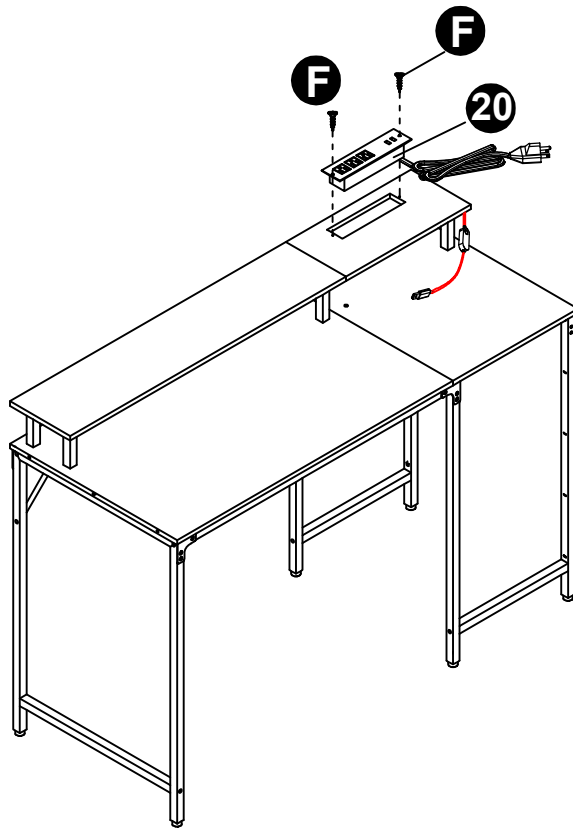
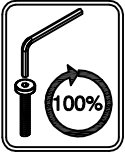
STEP 11



STEP 12



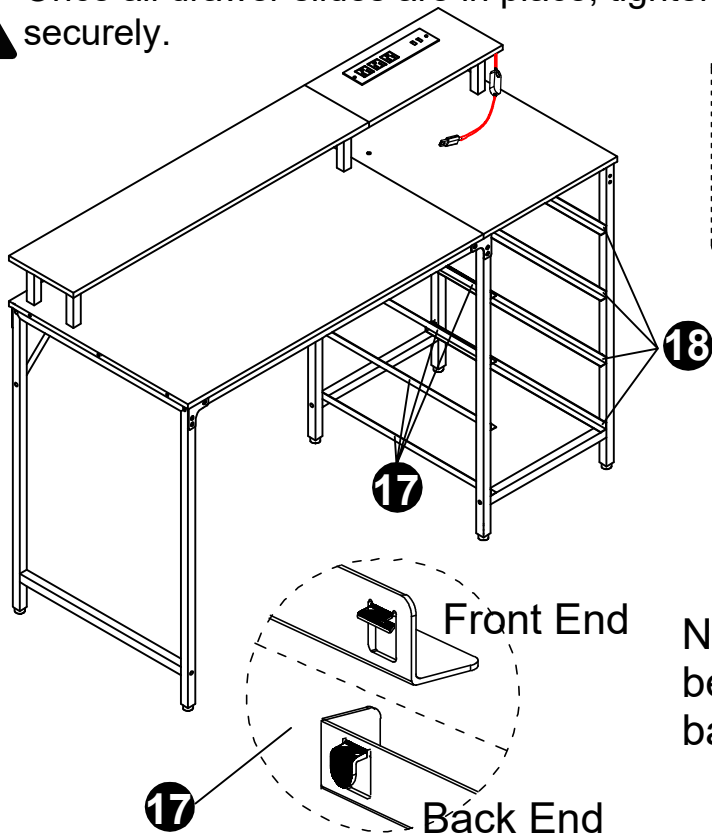
STEP 13



STEP 14



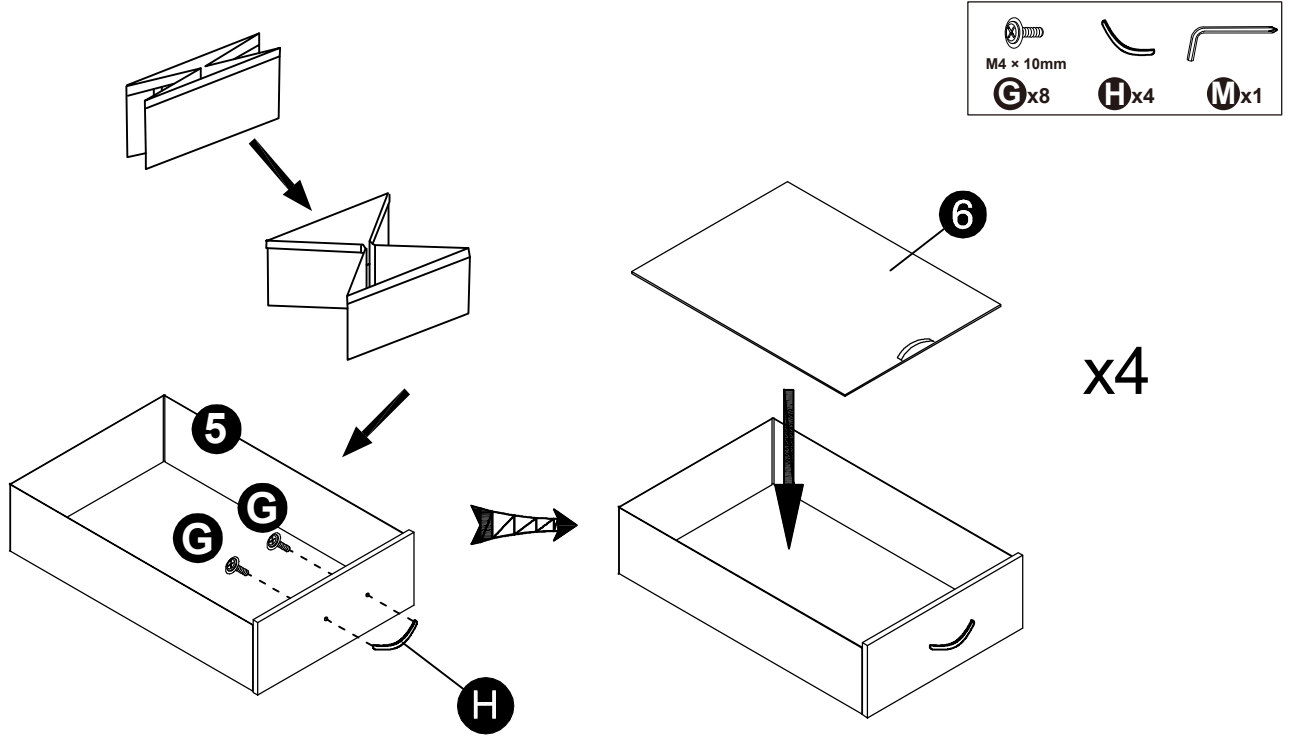
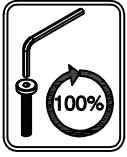
Once all drawer slides are in place, tighten all screws securely.



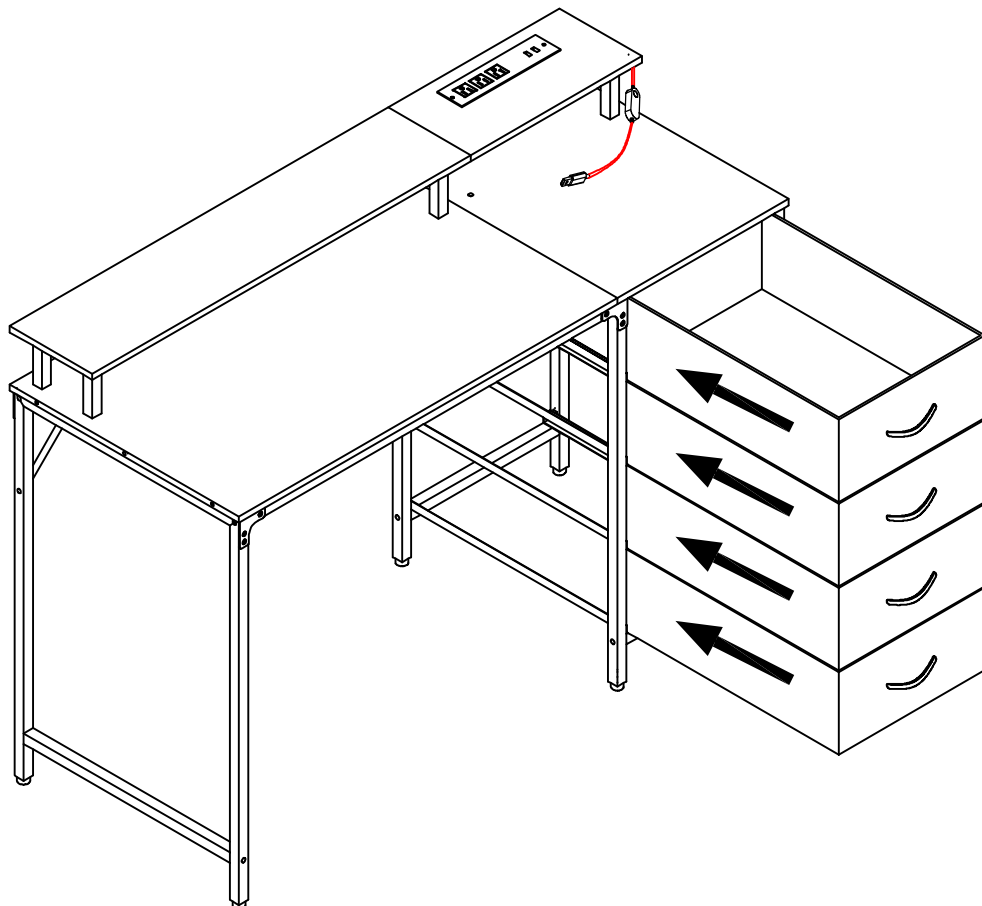
Note: To install, the front end should be inserted first. To remove, pull the back end up first.

Note: If the metal tab is not protruding, pry it open slightly.

STEP 15

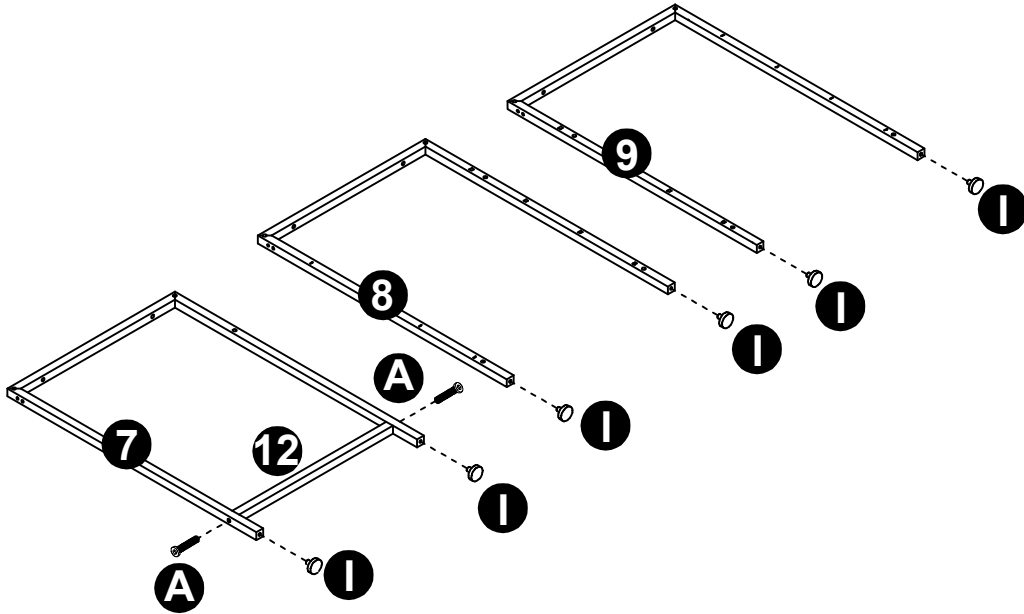
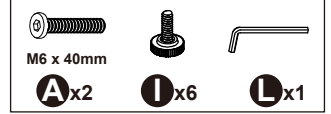


STEP 16

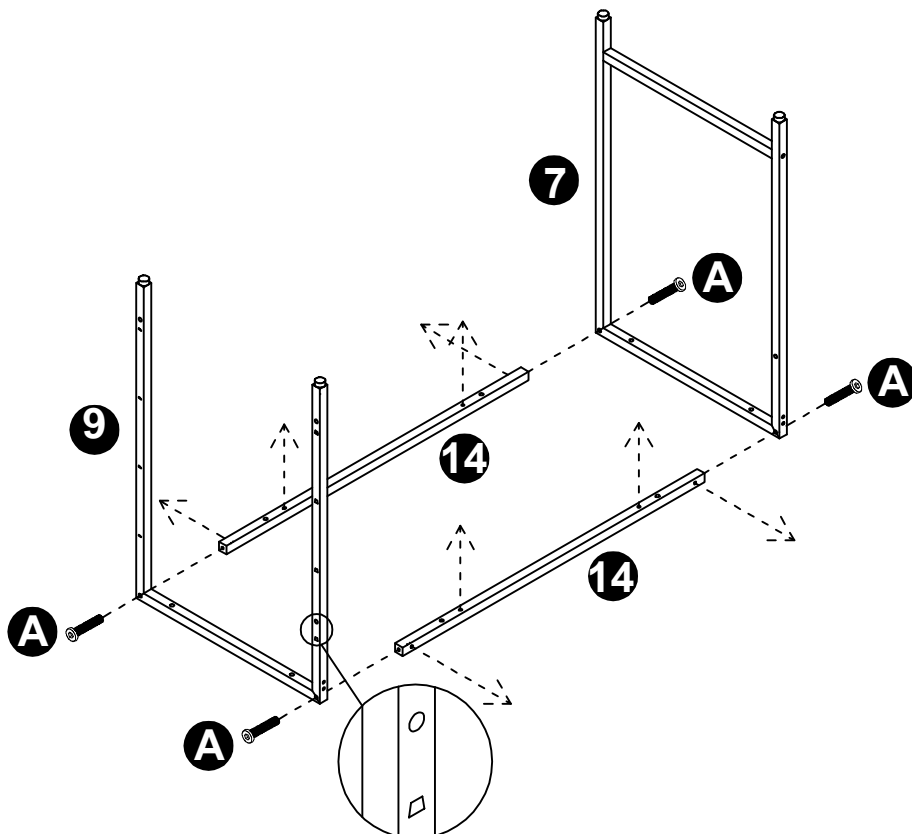
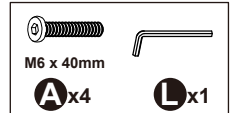
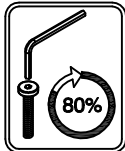


Assembly Instruction: Option ②

STEP 1

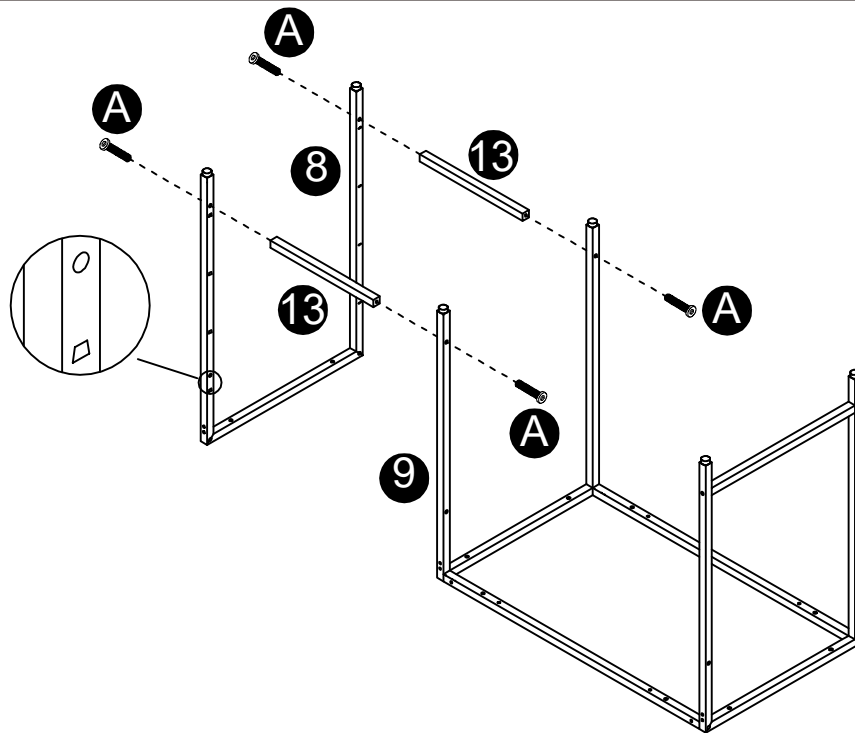
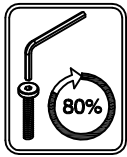


STEP 2



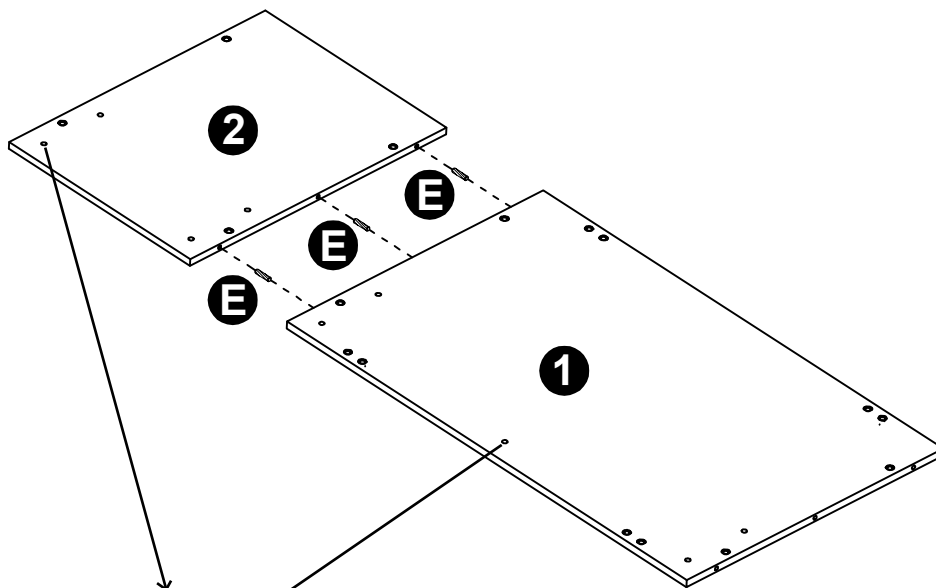
NOTE: The holes must face as shown.

STEP 3



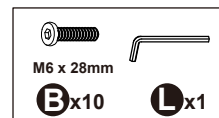
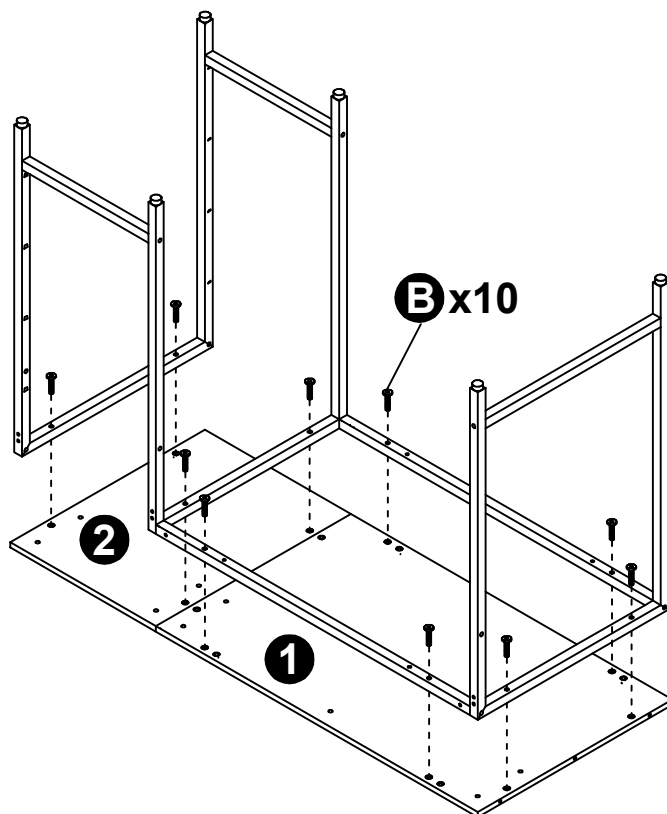
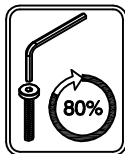
Note: The holes must face as shown.

STEP 4

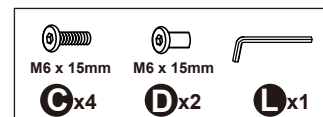
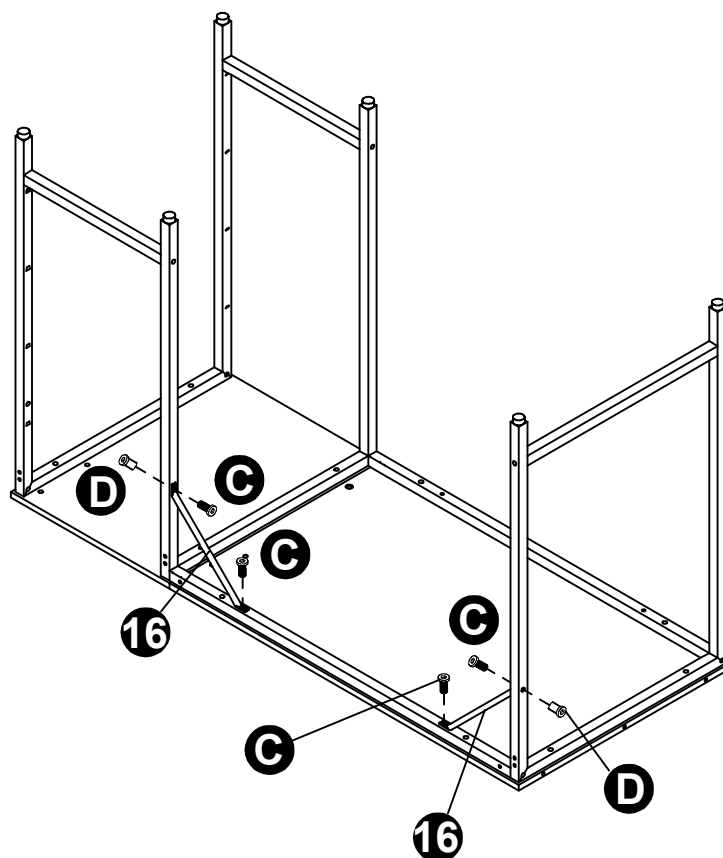
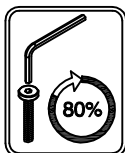


Note: The holes must face as shown.

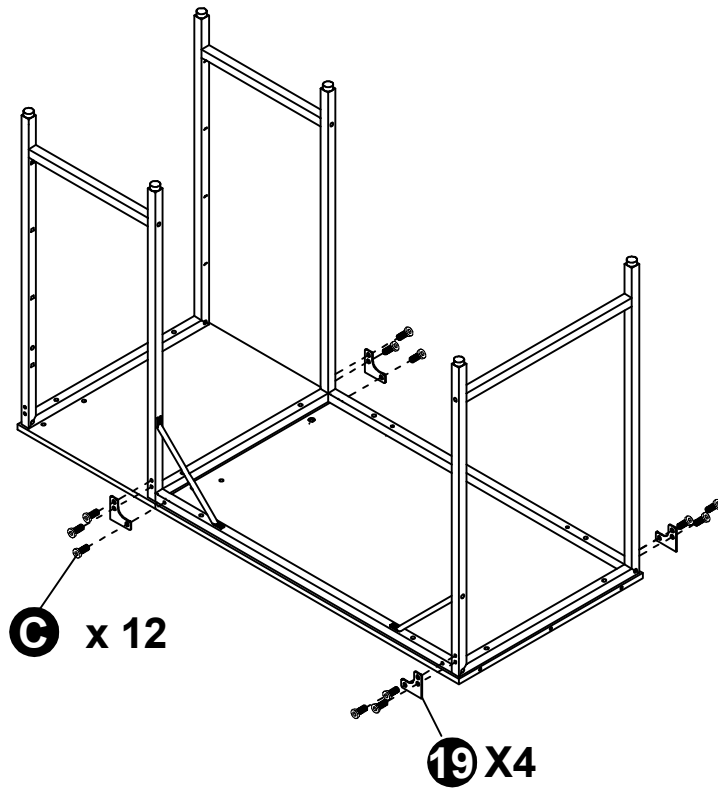
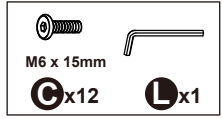
STEP 5



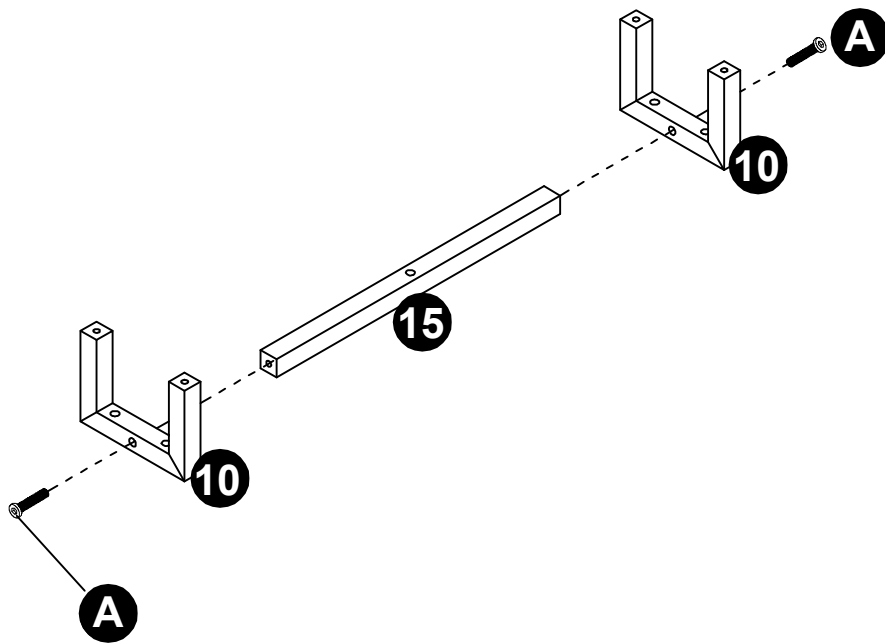
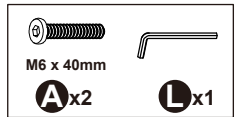
STEP 6



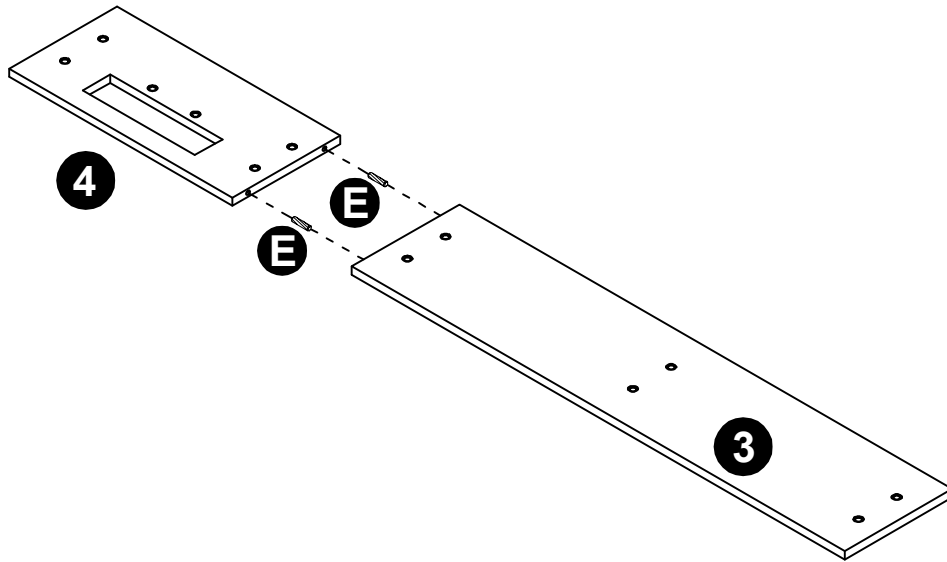
STEP 7



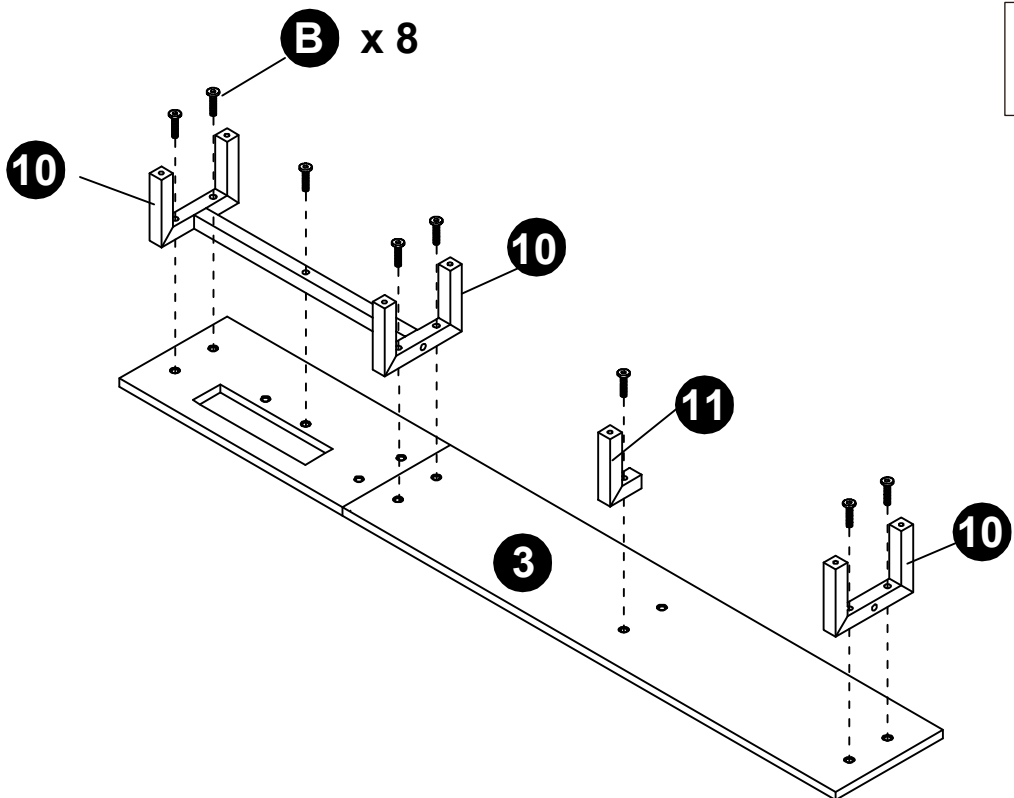
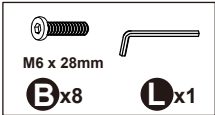
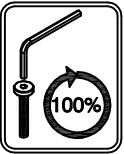
STEP 8



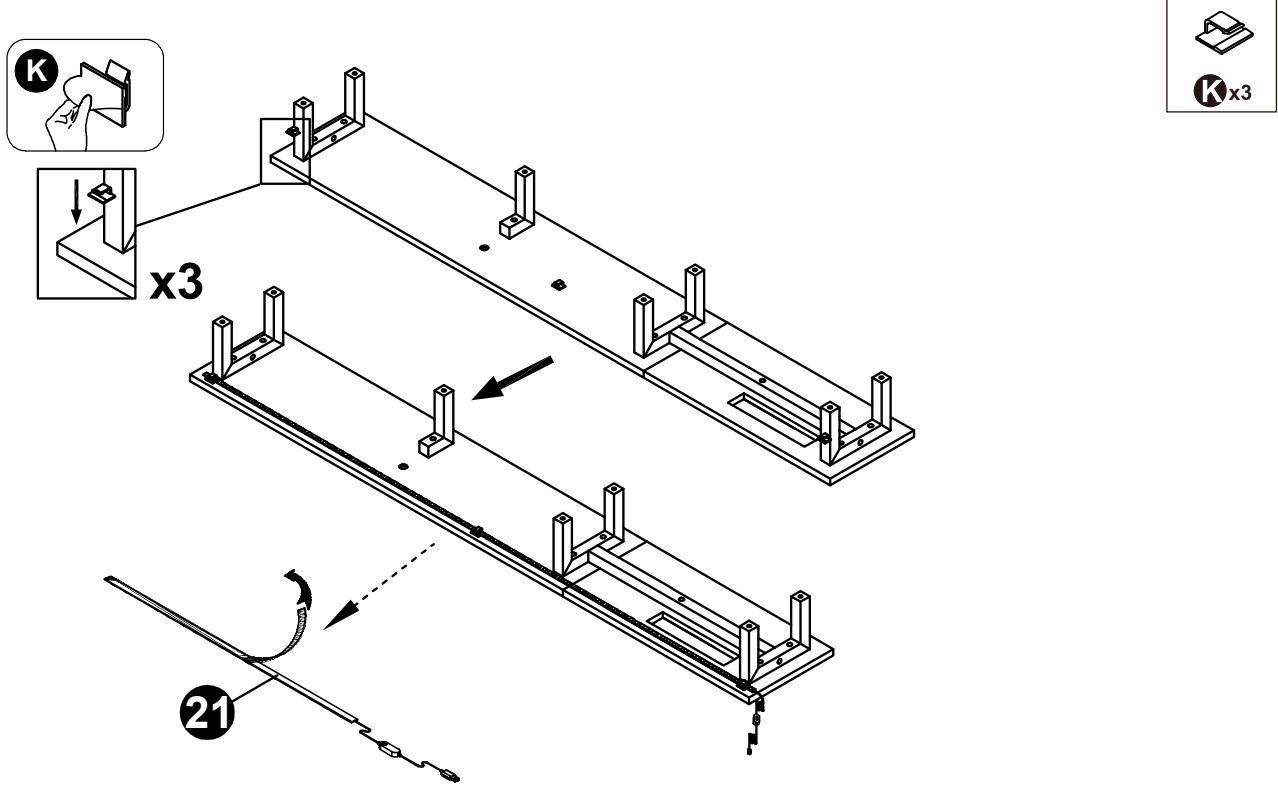
STEP 9



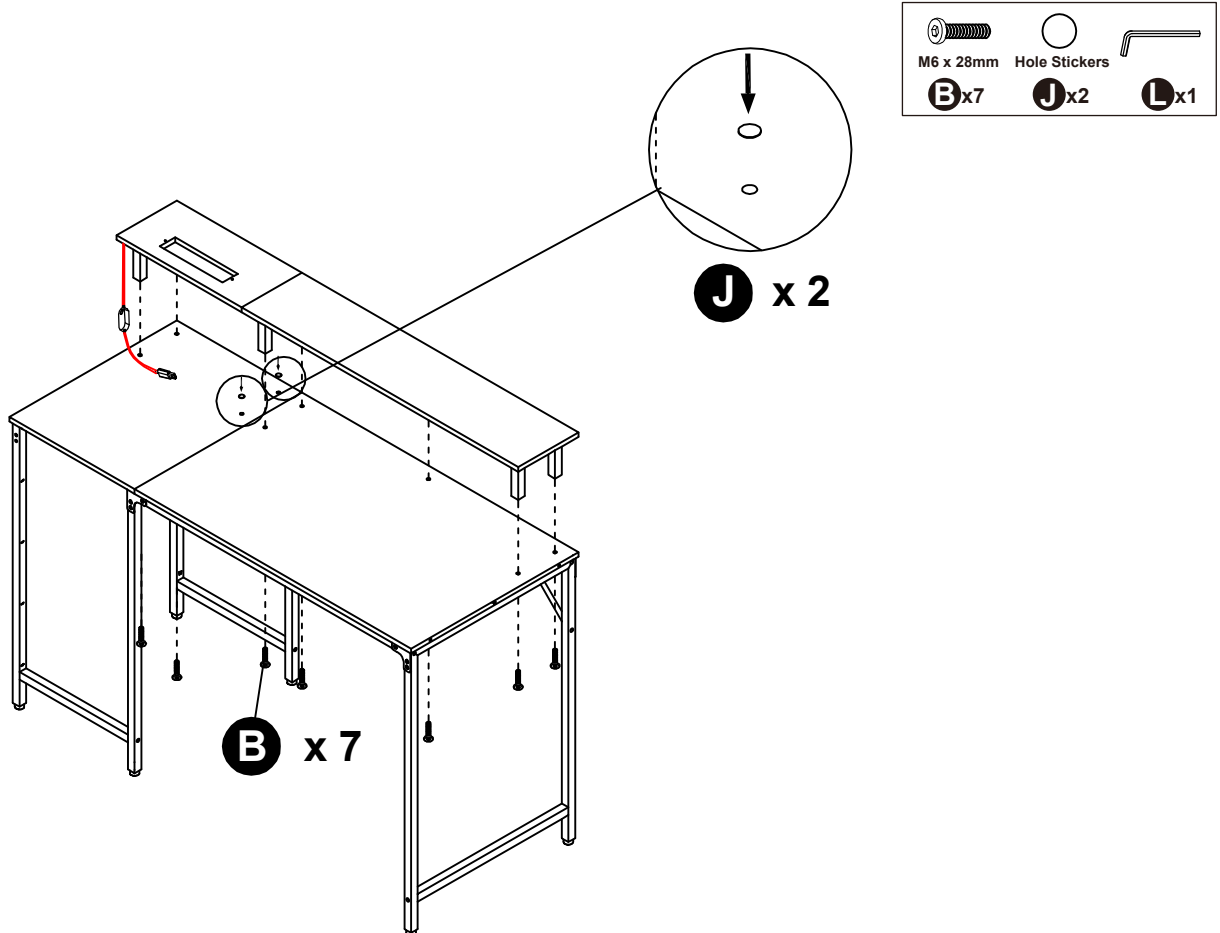
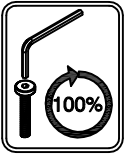
STEP 10



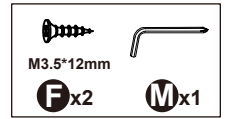
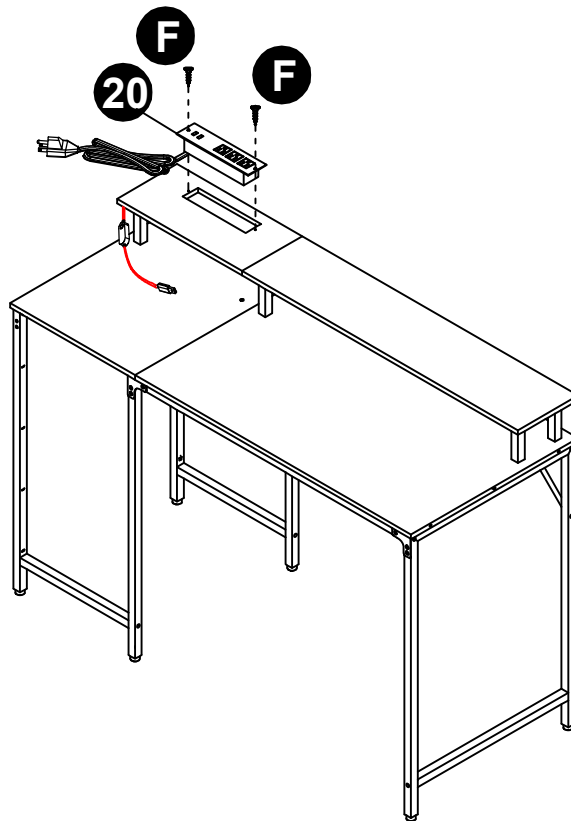
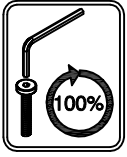
STEP 11



STEP 12



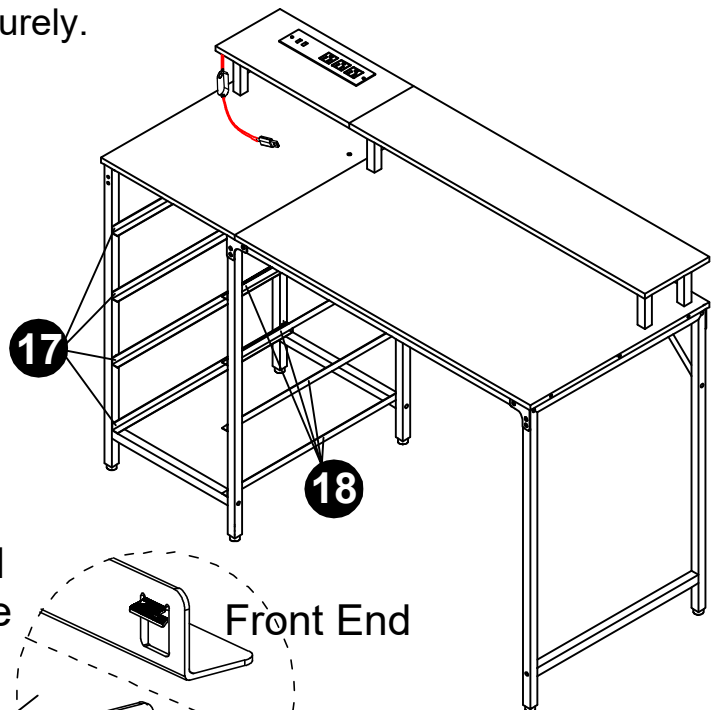
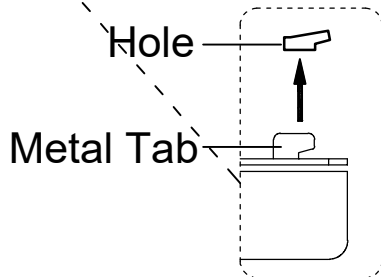
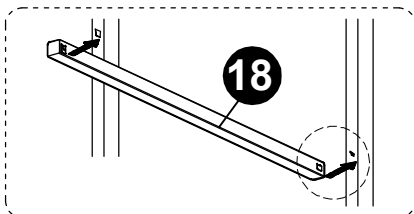
STEP 13



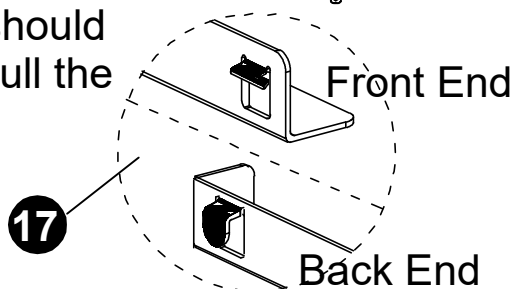
STEP 14



Once all drawer slides are in place, tighten all screws securely.

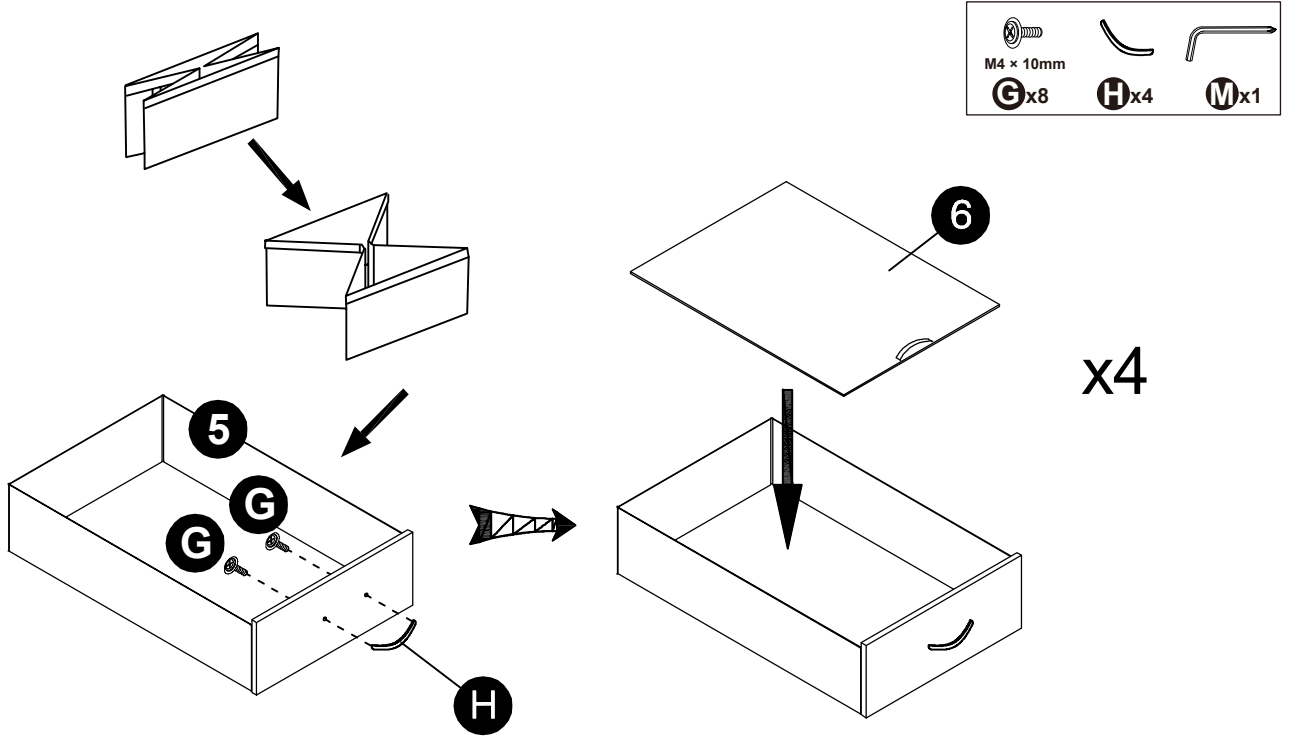
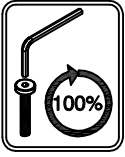


Note: To install, the front end should be inserted first. To remove, pull the back end up first.



Note: If the metal tab is not protruding, pry it open slightly.

STEP 15



STEP 16

