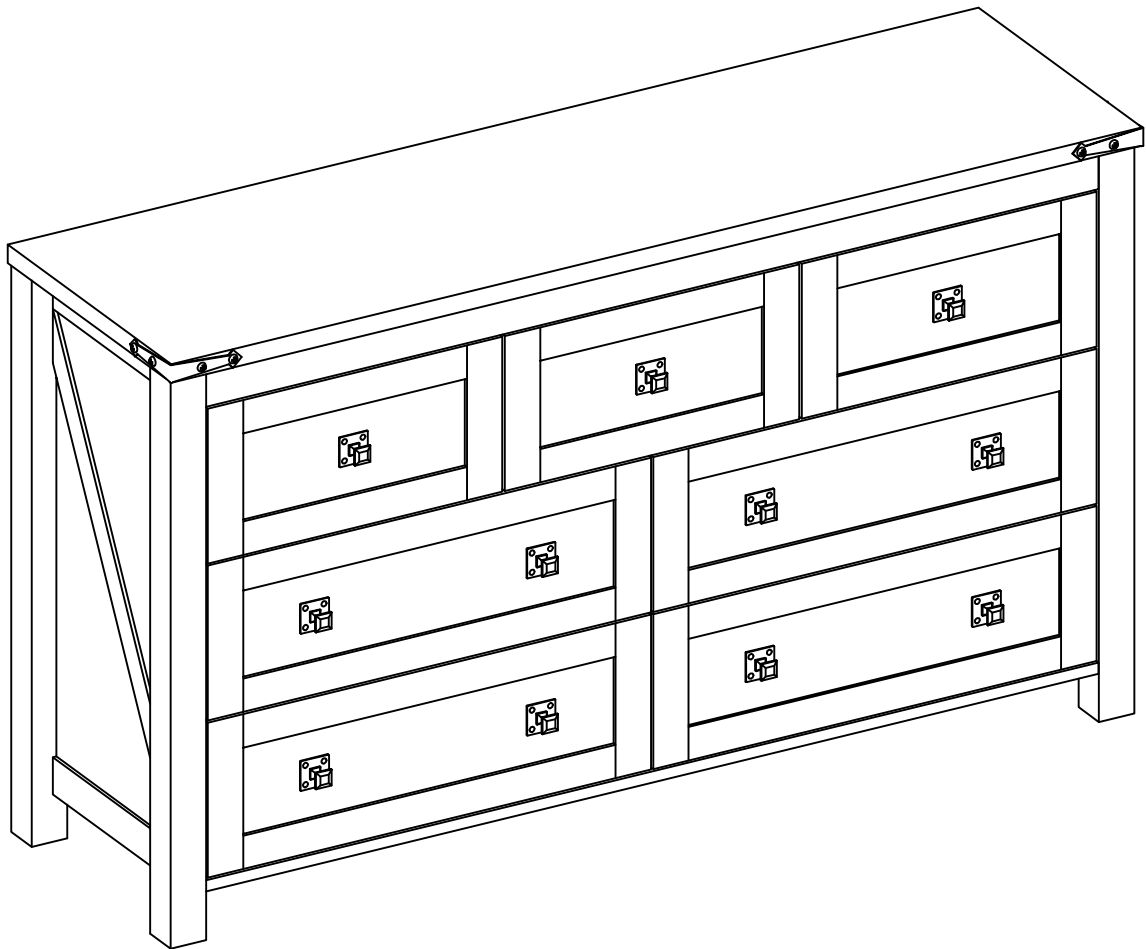
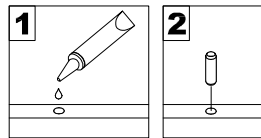


Assembly Instructions

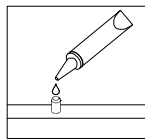


General Assembly Guidelines

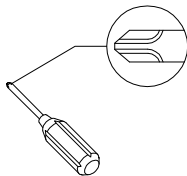
- I. Ensure that all parts and hardware are available before beginning assembly.
- II. Follow each step carefully to ensure the proper assembly of this product.
- III. Two people are recommended for ease in the assembly of this product.
- IV. The three main types of hardware used to assemble this product are : wood dowels , screws and bolts.
- V. The provided glue is to secure wood dowels in place . When first inserting dowels , locate the appropriate hole for the dowel , place a small amount of glue in the hole and insert the dowel . Wipe away excess glue immediately.



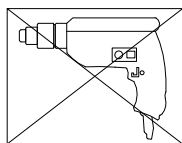
In future assembly steps when dowels are necessary to attach assembly parts together , place a small amount of glue on the end of the dowel before attaching parts together . Wipe away excess glue immediately.



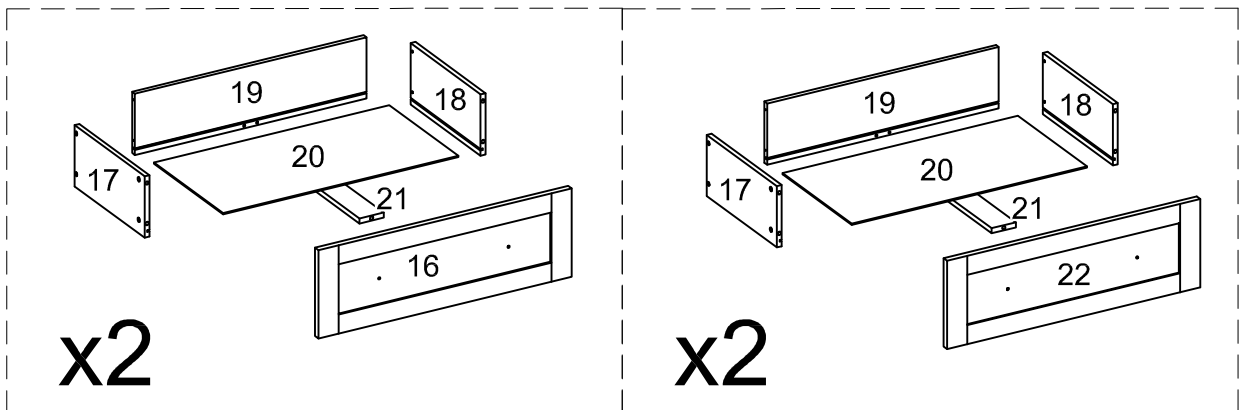
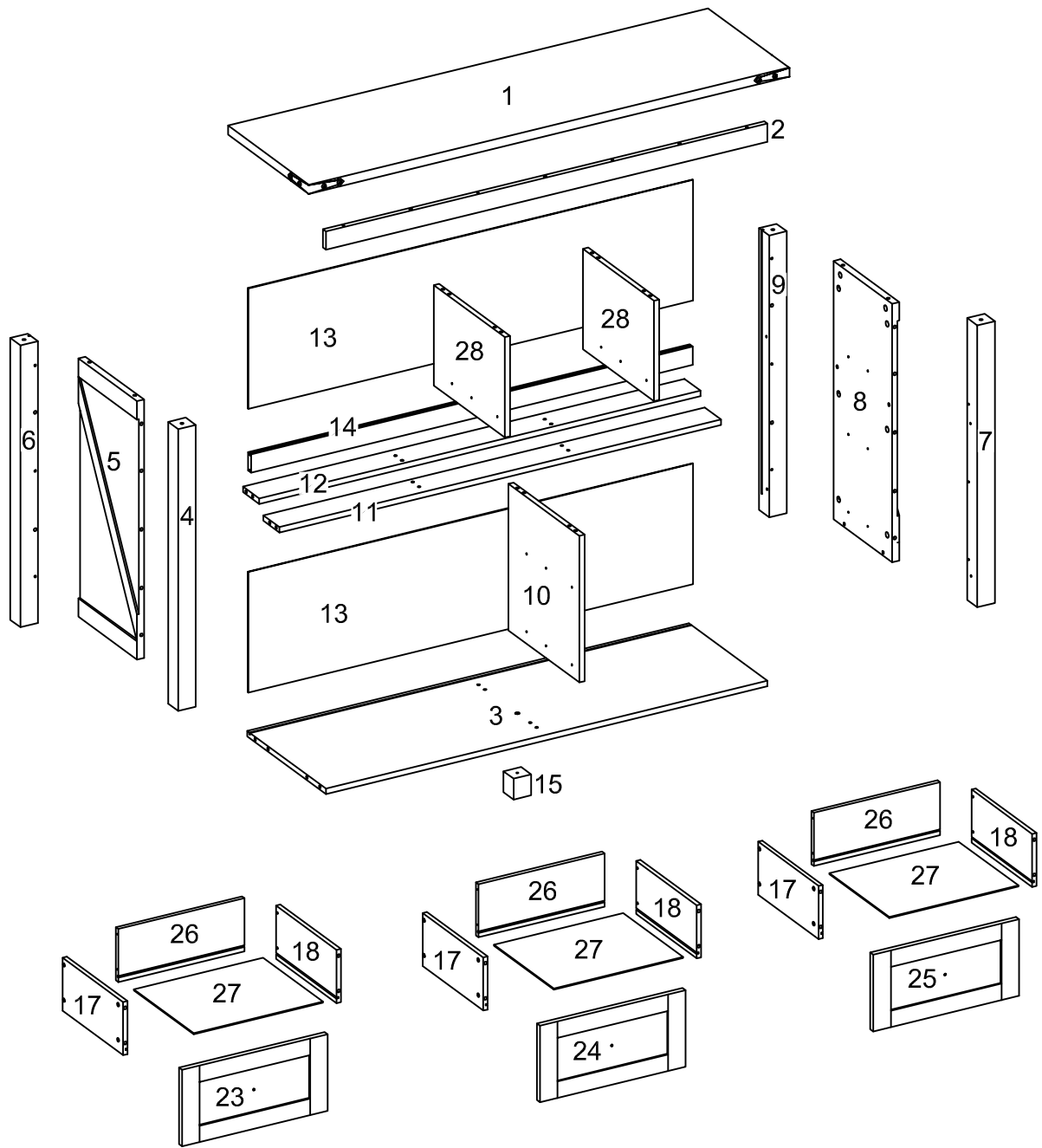
- VI. A Phillips head screwdriver is required for the assembly of this product .




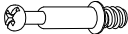


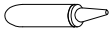
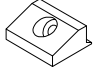
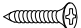

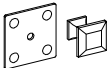




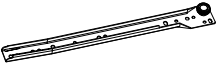

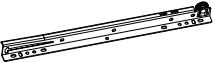
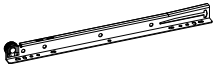
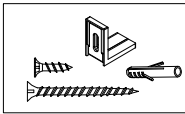
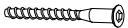

- VII. Power tools should not be used to assemble this product .

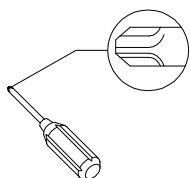


Parts List



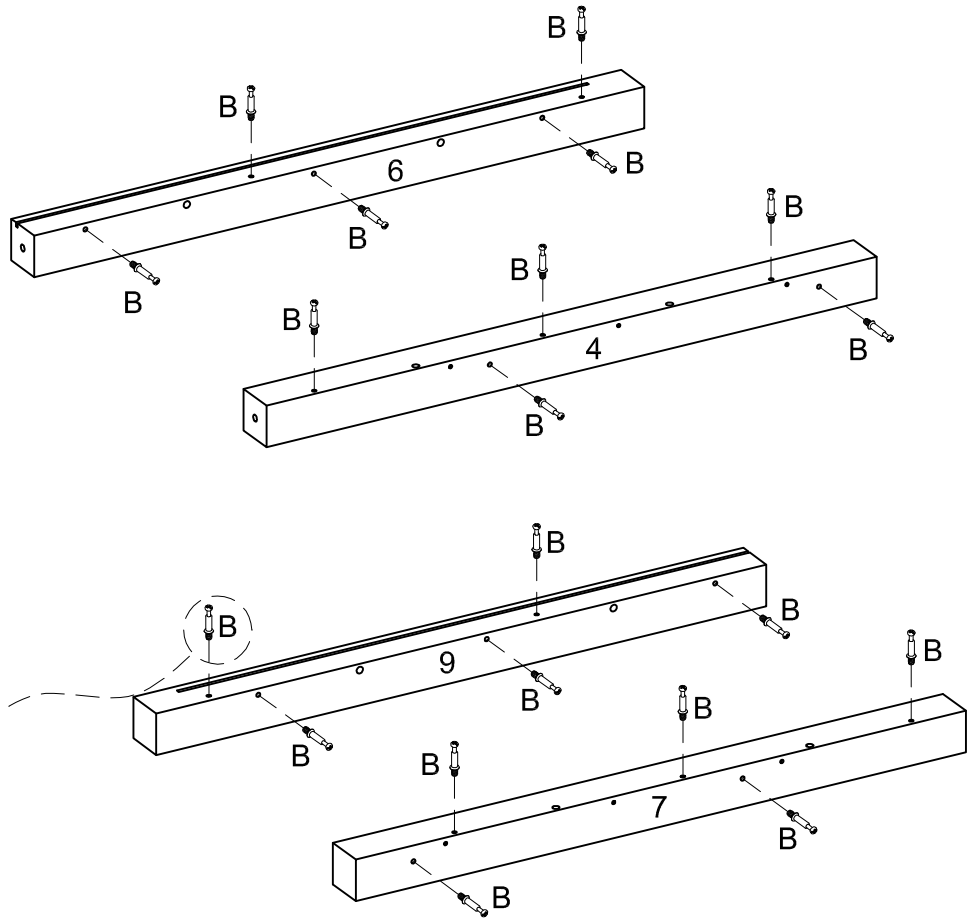
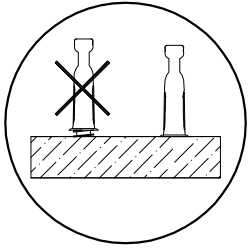
Hardware List

A		Ø8x30mm	Wooden dowel	35 pcs
B		Ø6x35mm	Cam bolt	62 pcs
C		Ø15x11mm	Cam lock	30 pcs
D		Ø30mm	Sticker	62 pcs
E			Glue tube	1 pc
F			Plastic wedge	16 pcs
G		Ø3x17mm	Flat-head screw	16 pcs
H		Ø4x12mm	Handle bolt	11 pcs
J			Handle	11 pcs
K		Ø15x9.5mm	Cam lock	32 pcs
L		Ø4x38mm	Screw	36 pcs
M		Ø4x44mm	Screw	4 pcs
N		Ø3.5x12mm	Screw	84 pcs
P		12"	Left cabinet member	7 pcs
Q		12"	Right cabinet member	7 pcs
R		12"	Left drawer runner	7 pcs
S		12"	Right drawer runner	7 pcs
T			Tipping Restraint Hardware	2 set
U		Ø6x50mm	Screw	7 pcs
V		M 4	Hexagon socket key	1 pcs

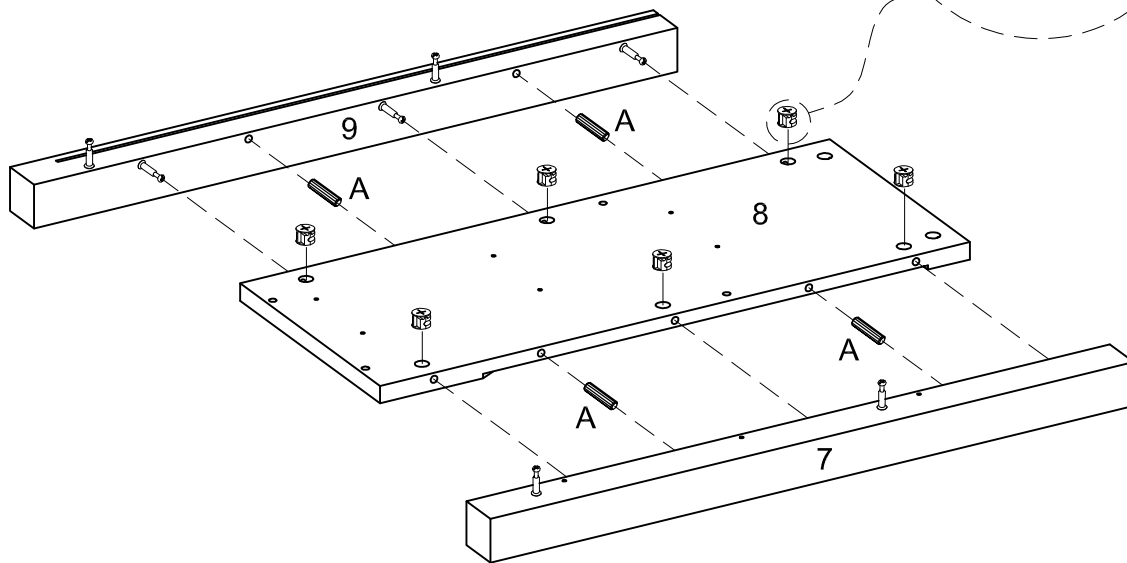
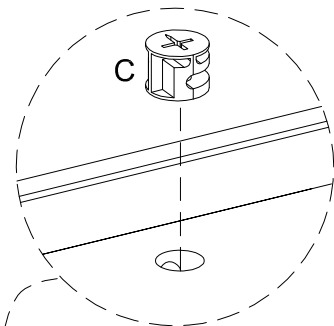
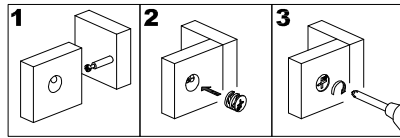


Philips head screwdriver required for assembly
(not included)

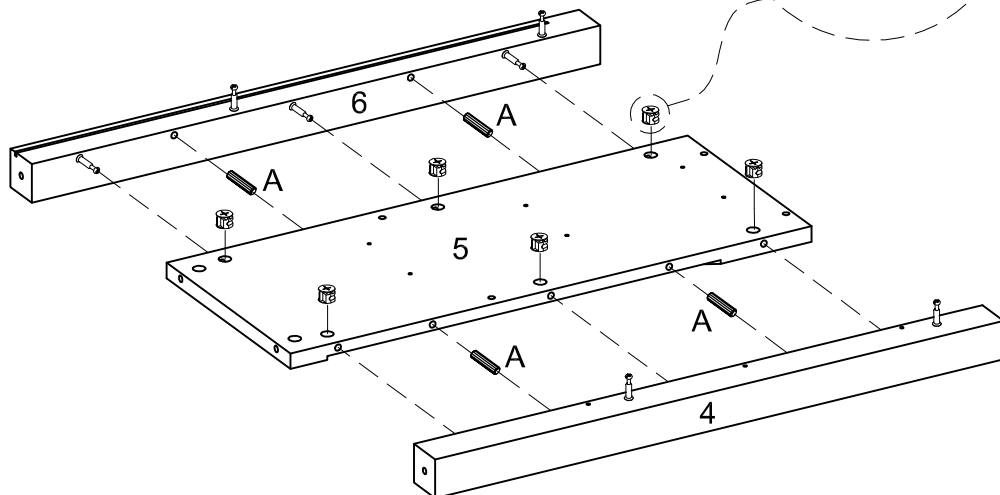
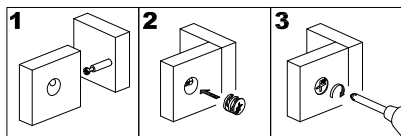
Step 1



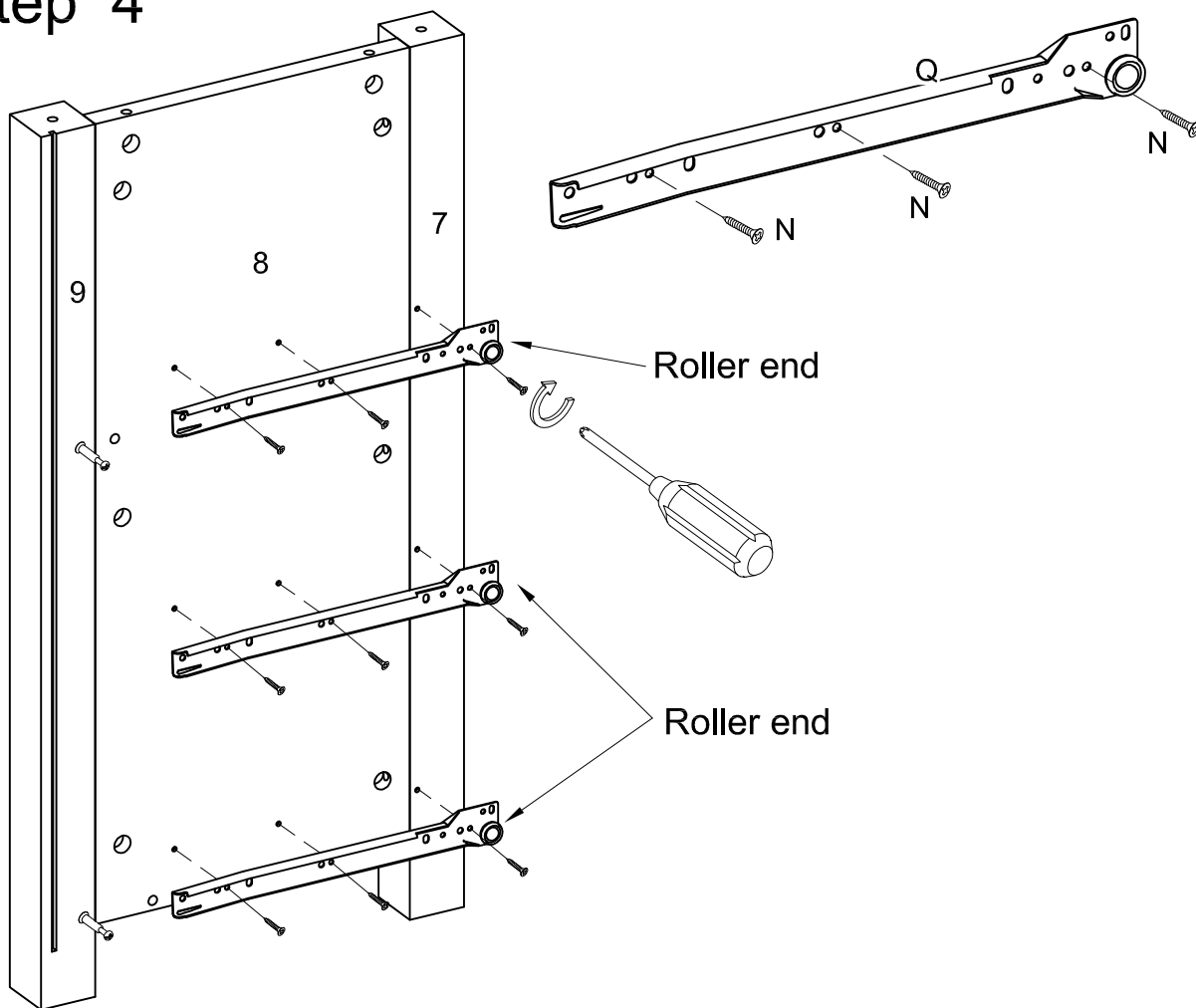
Step 2



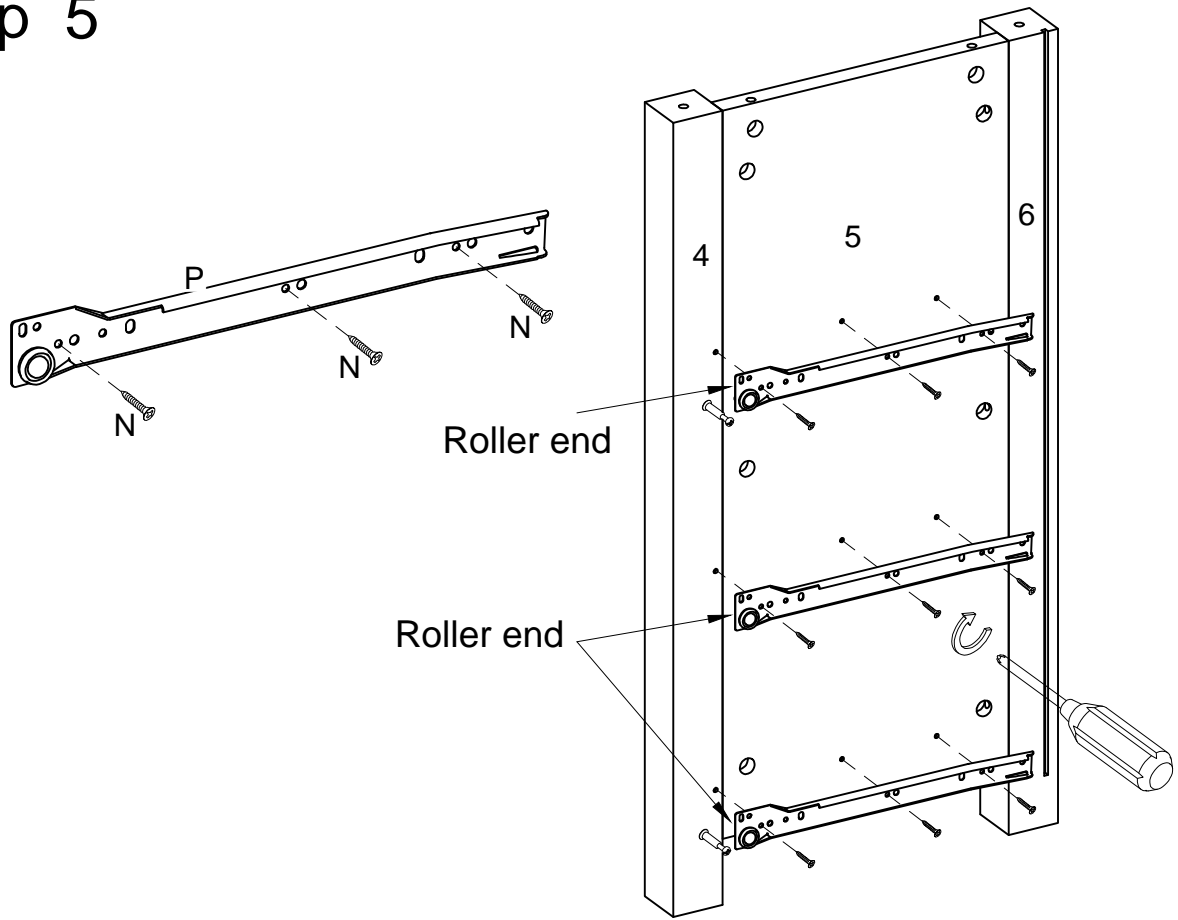
Step 3



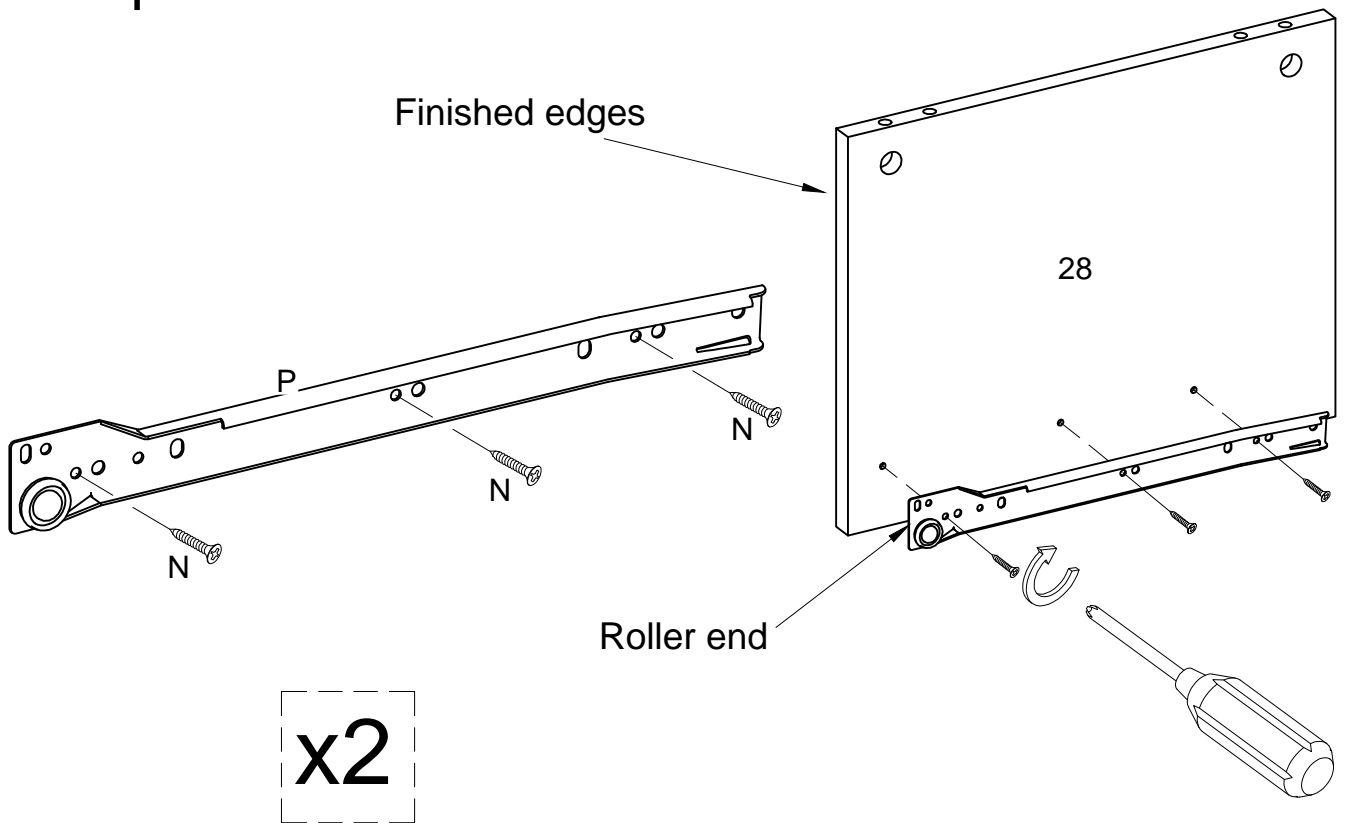
Step 4



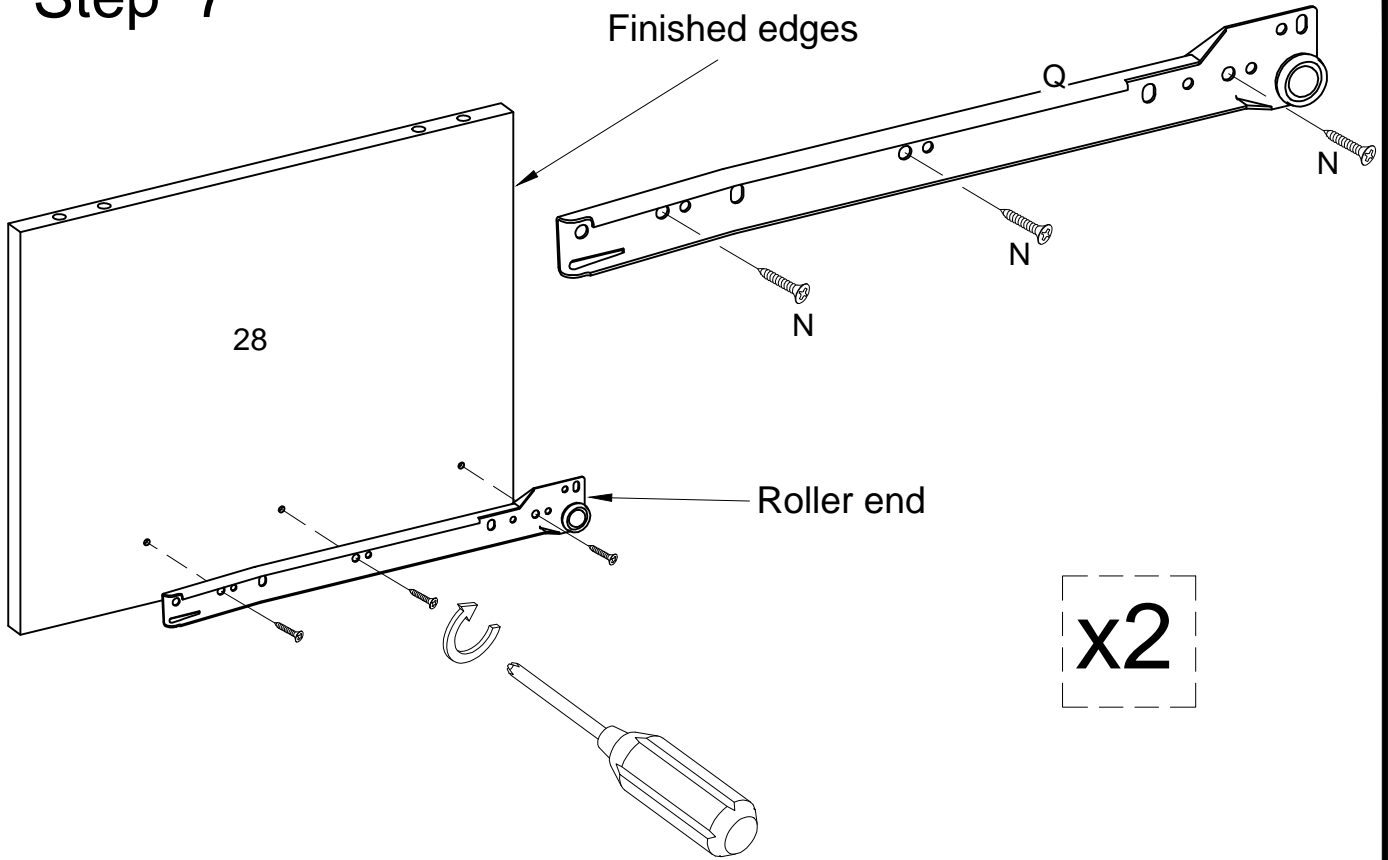
Step 5



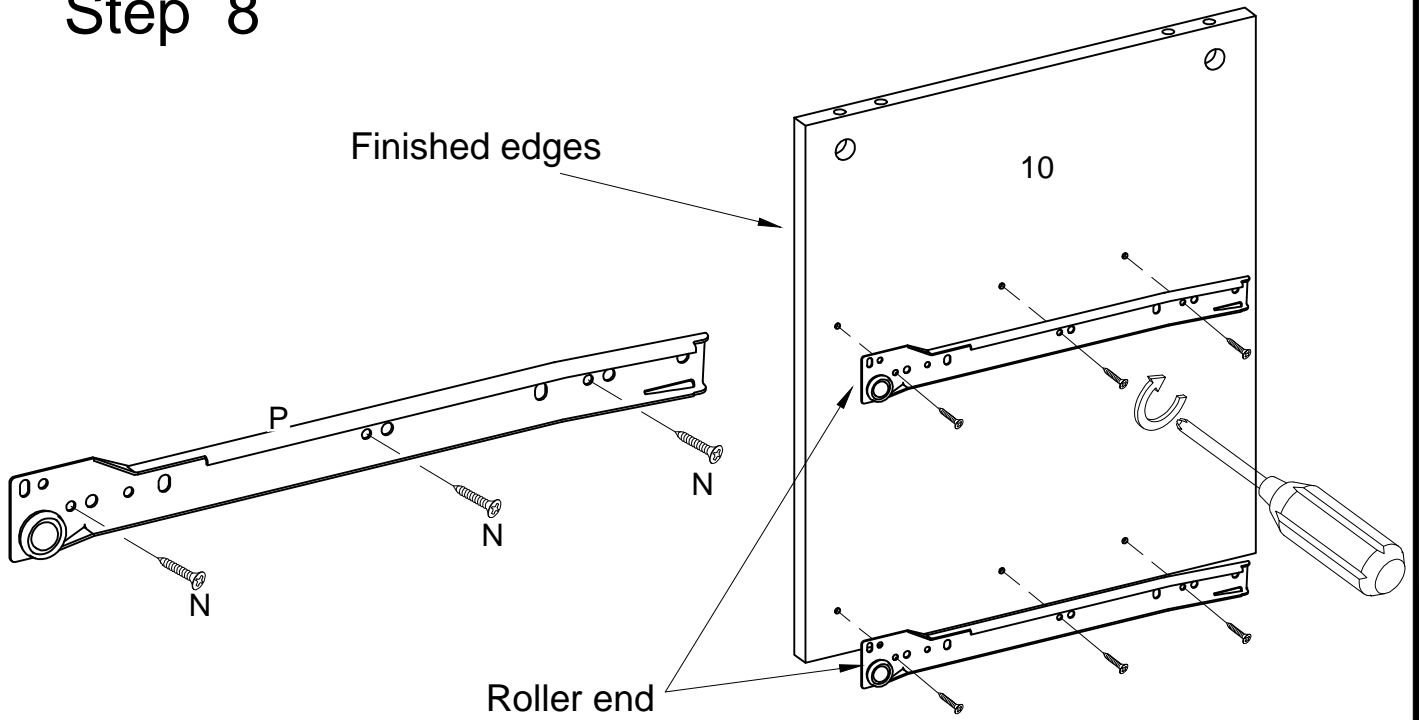
Step 6



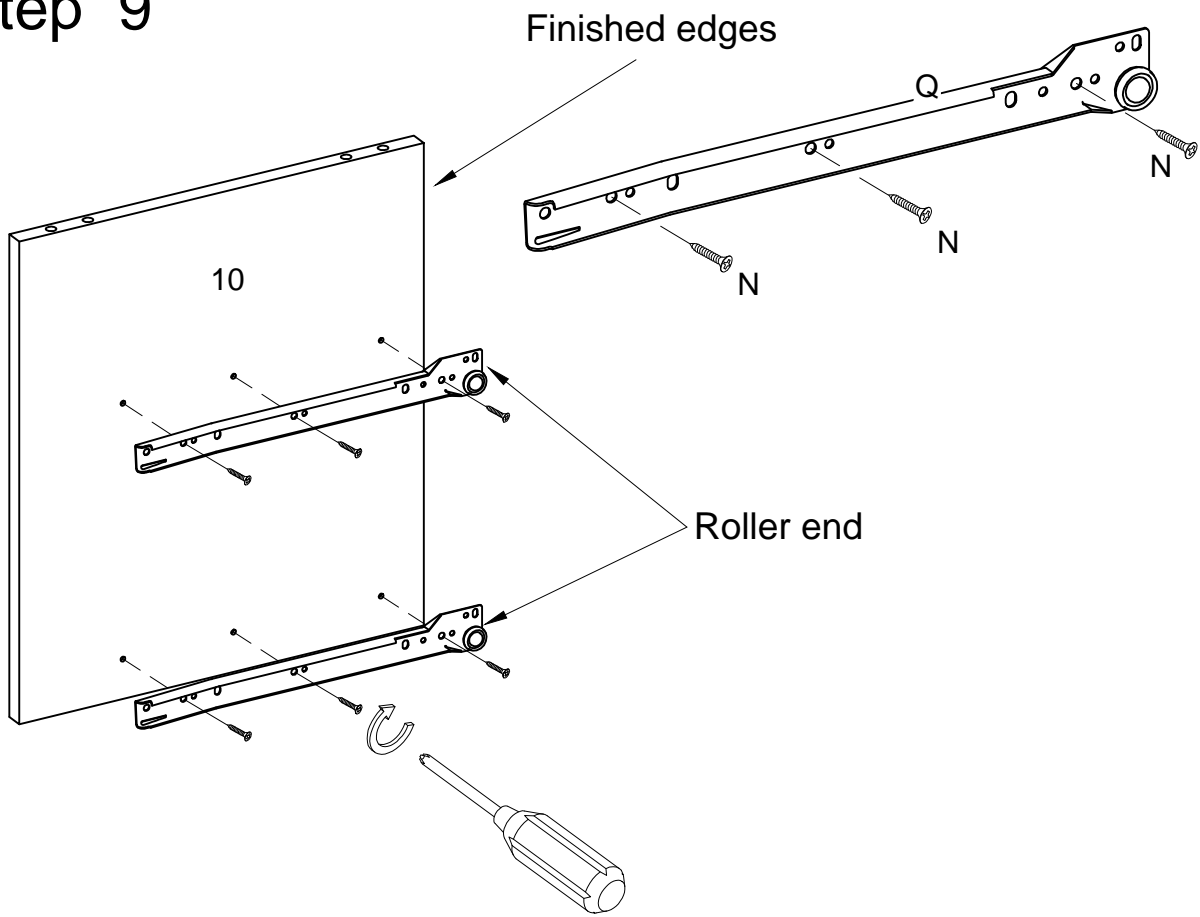
Step 7



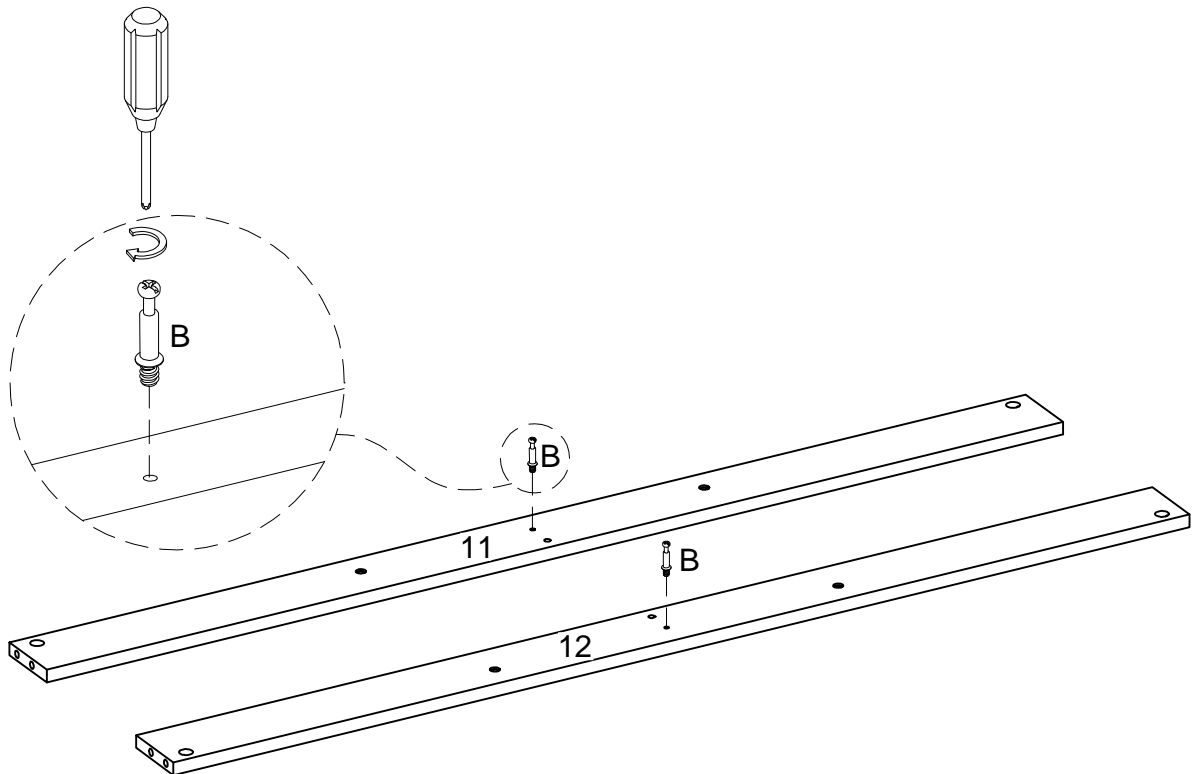
Step 8



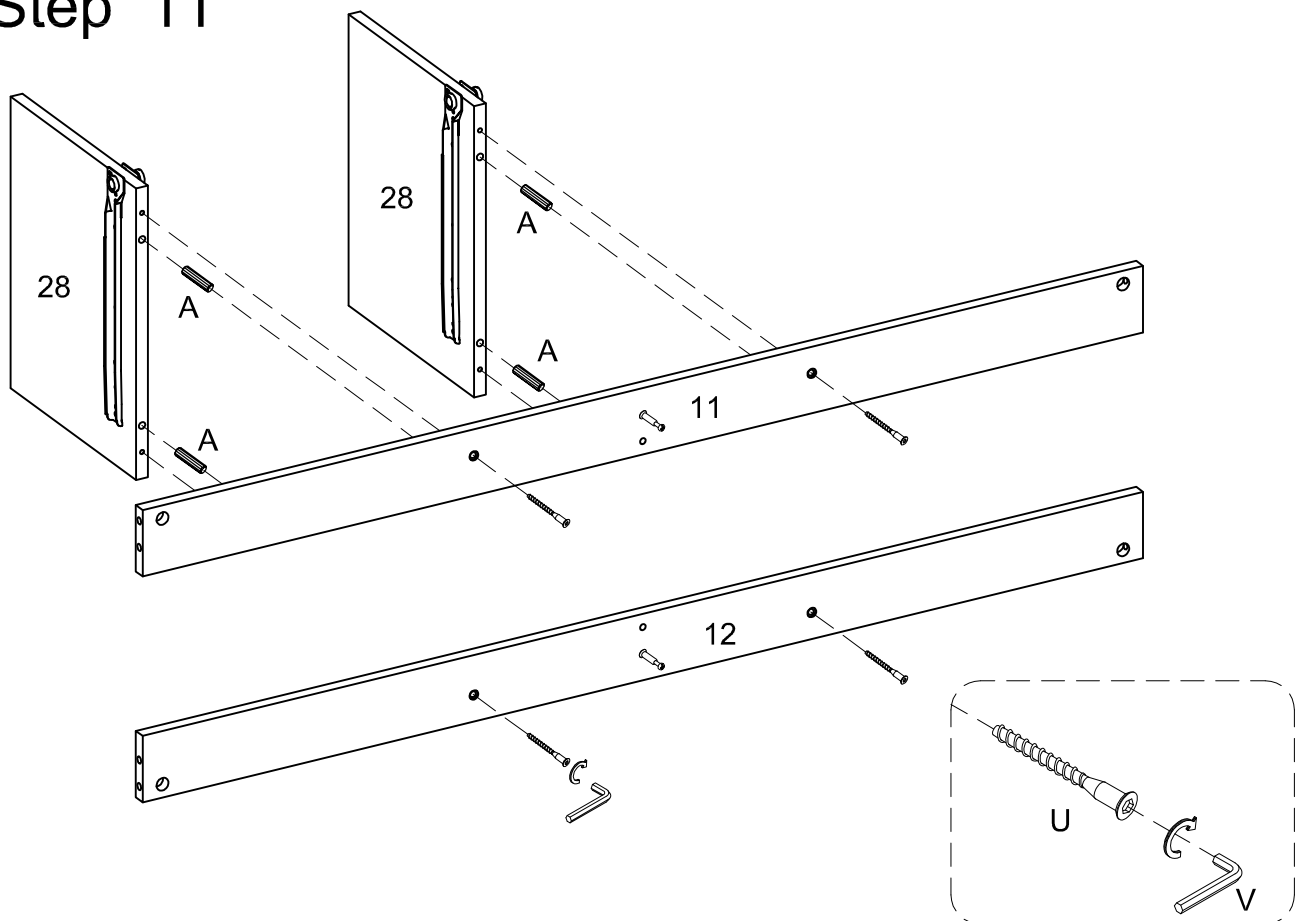
Step 9



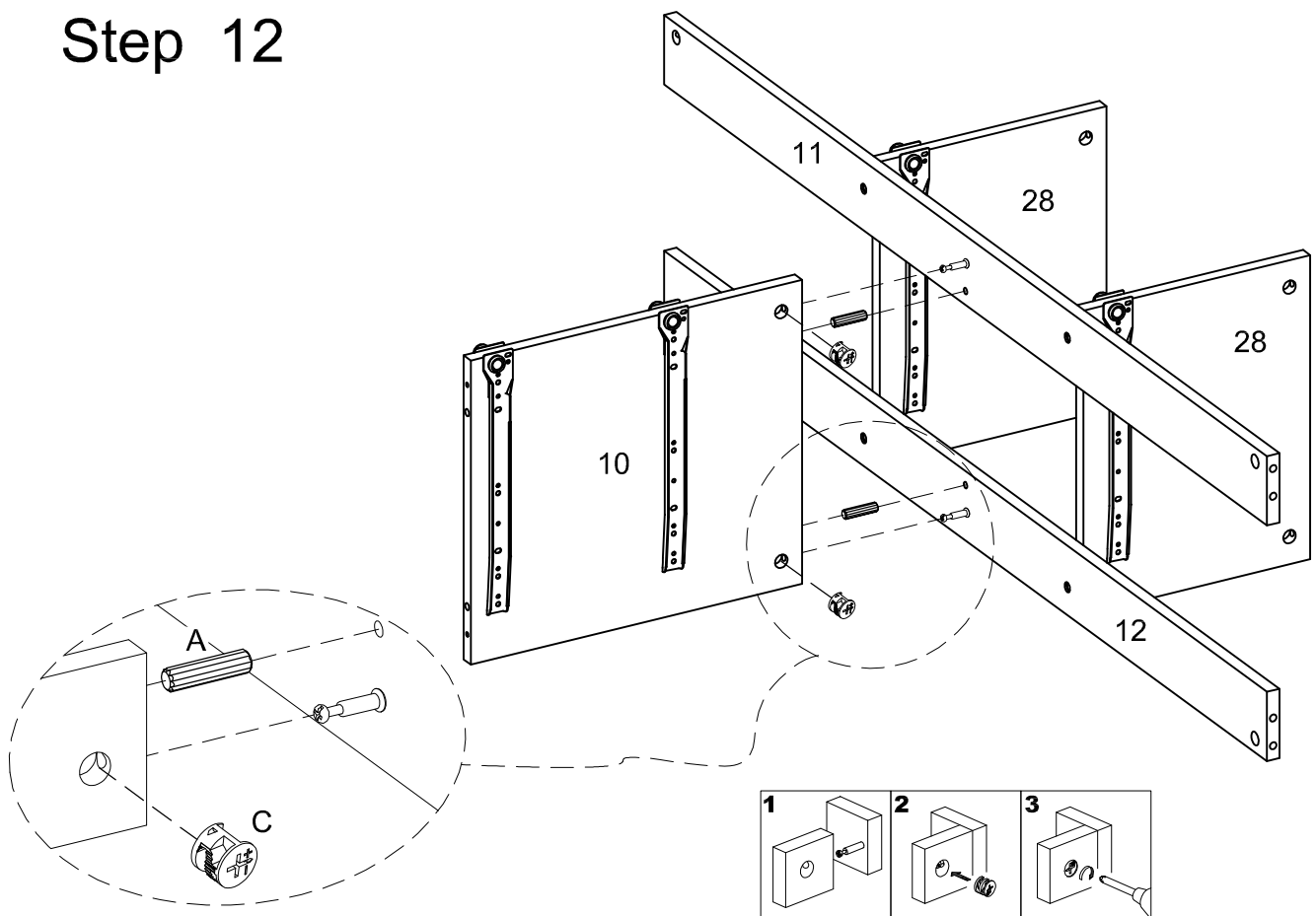
Step 10



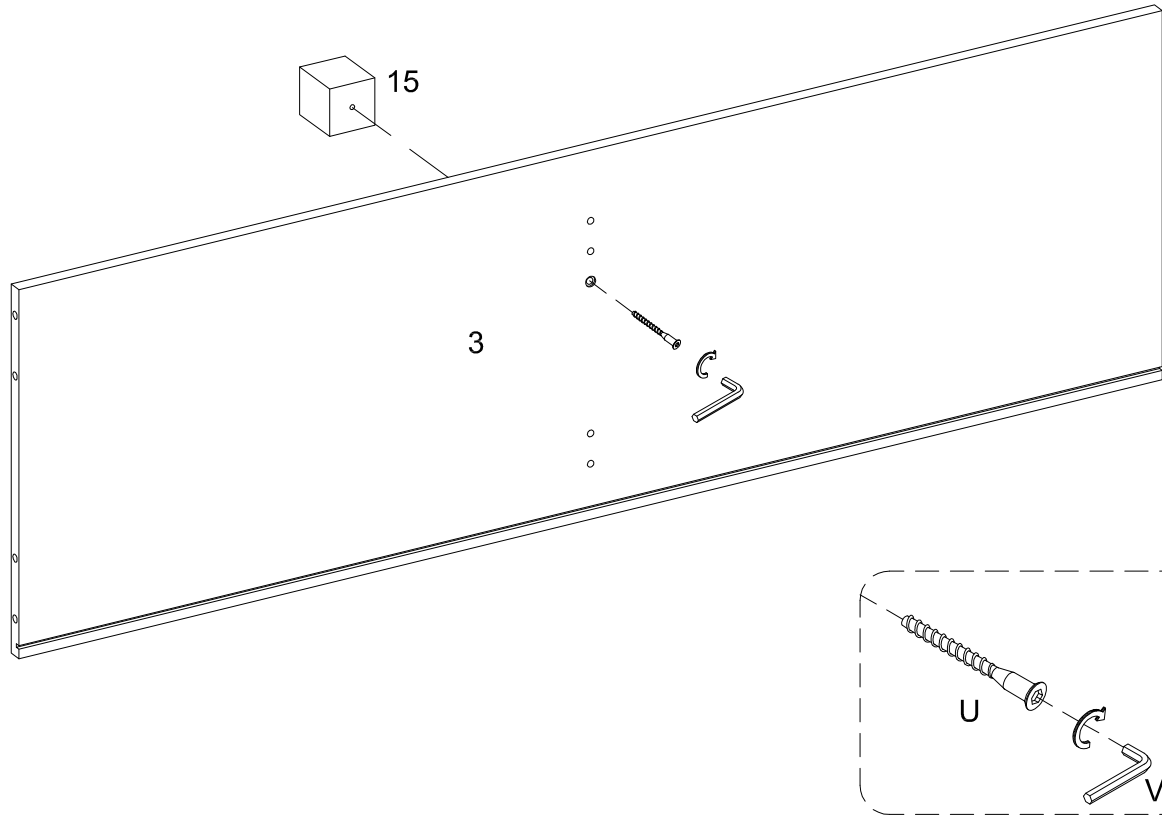
Step 11



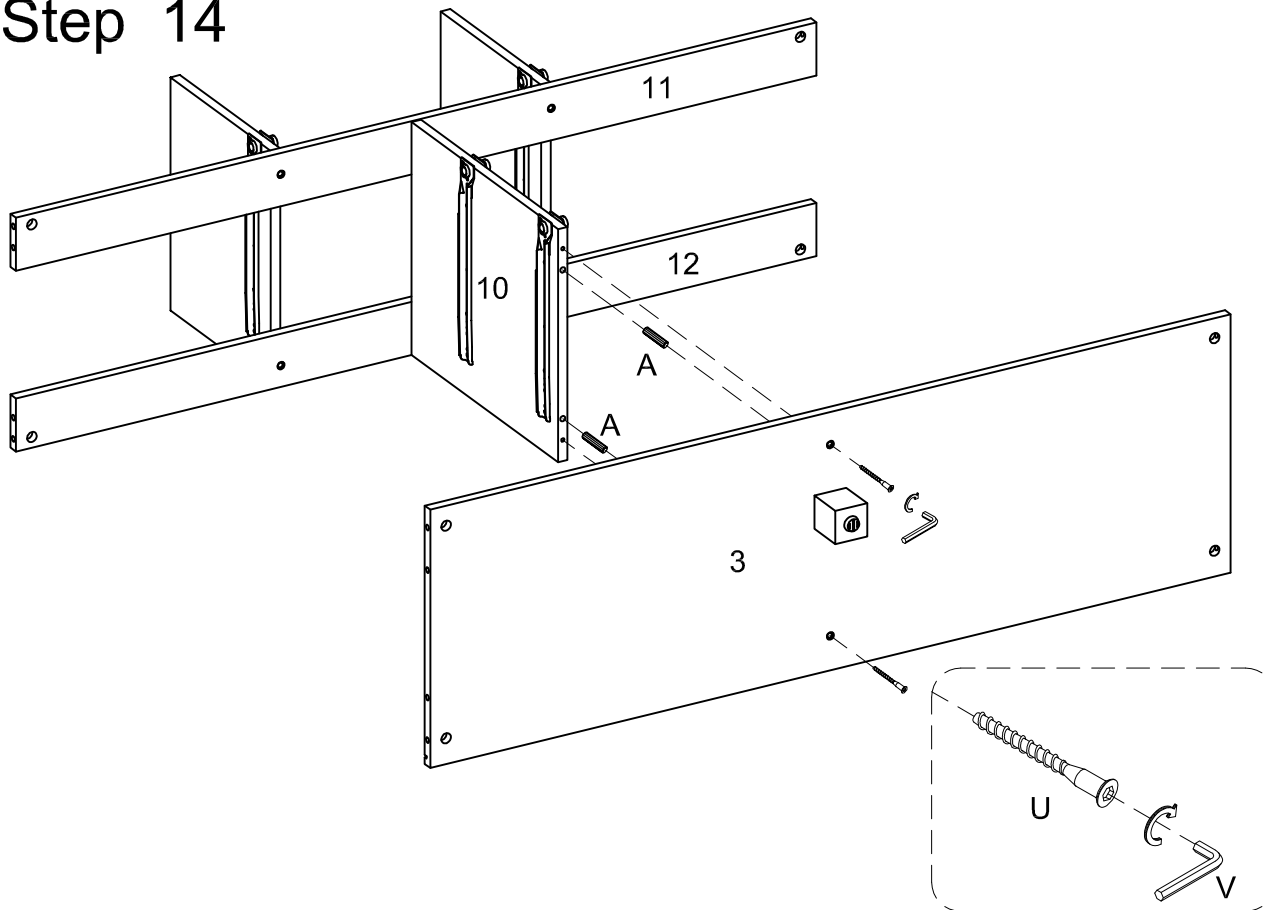
Step 12



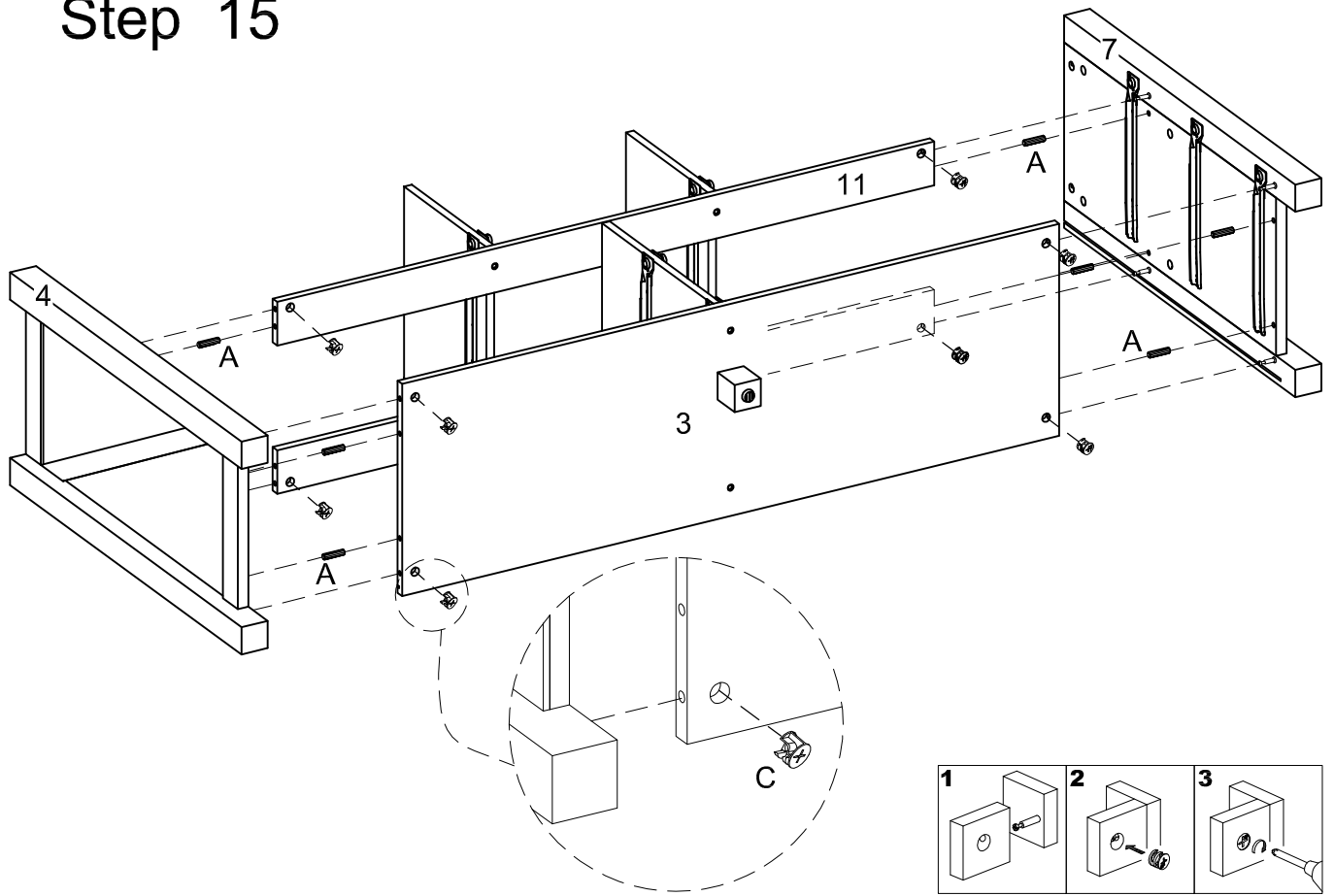
Step 13



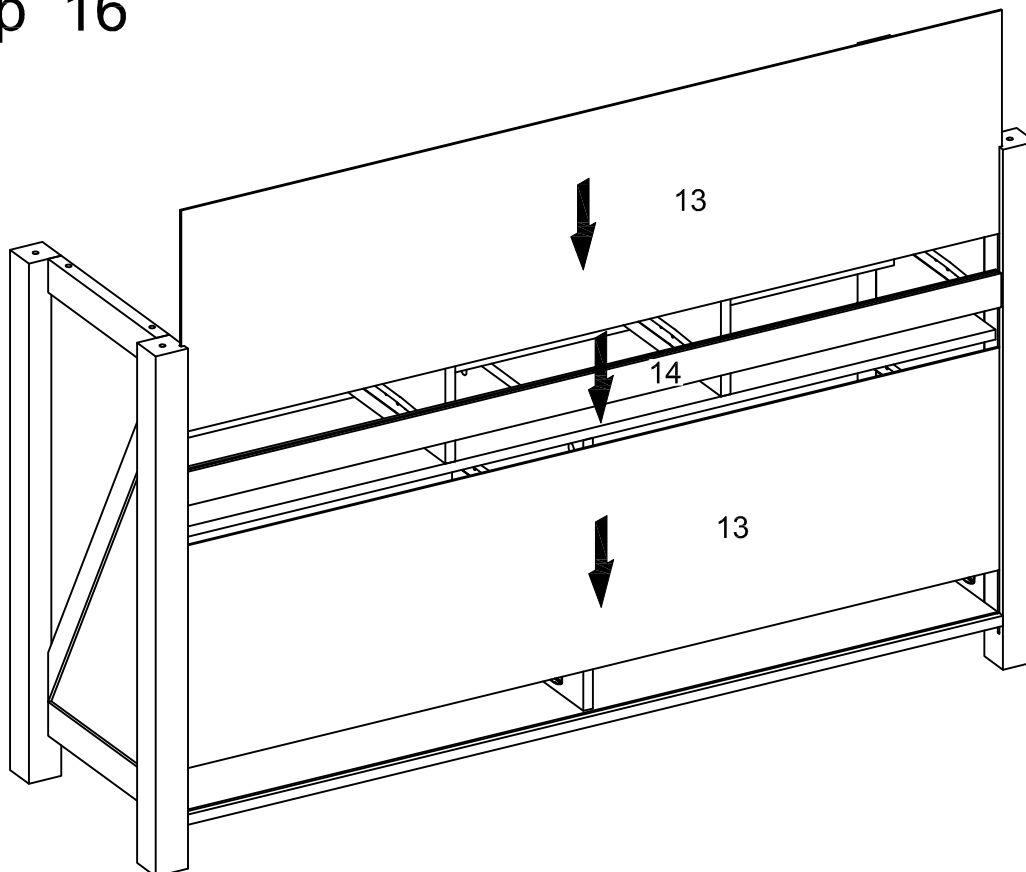
Step 14



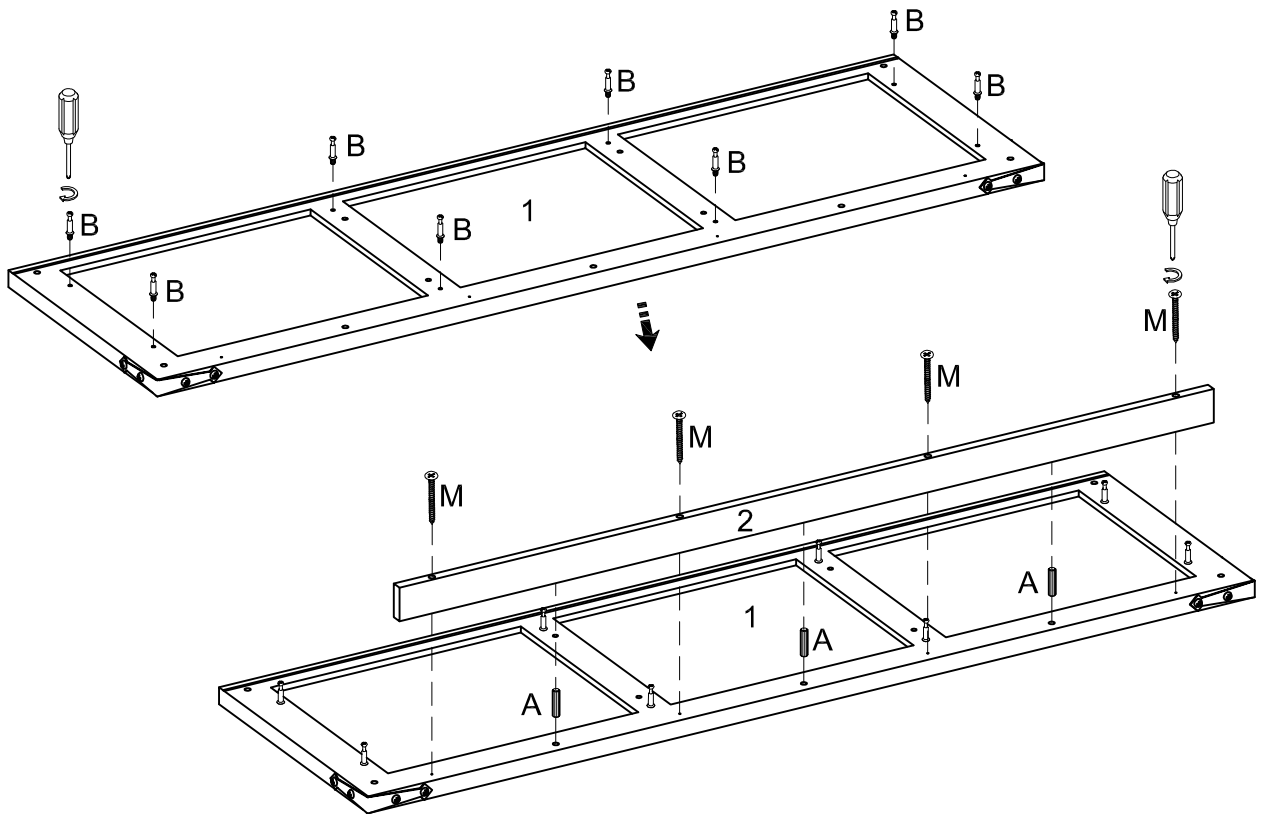
Step 15



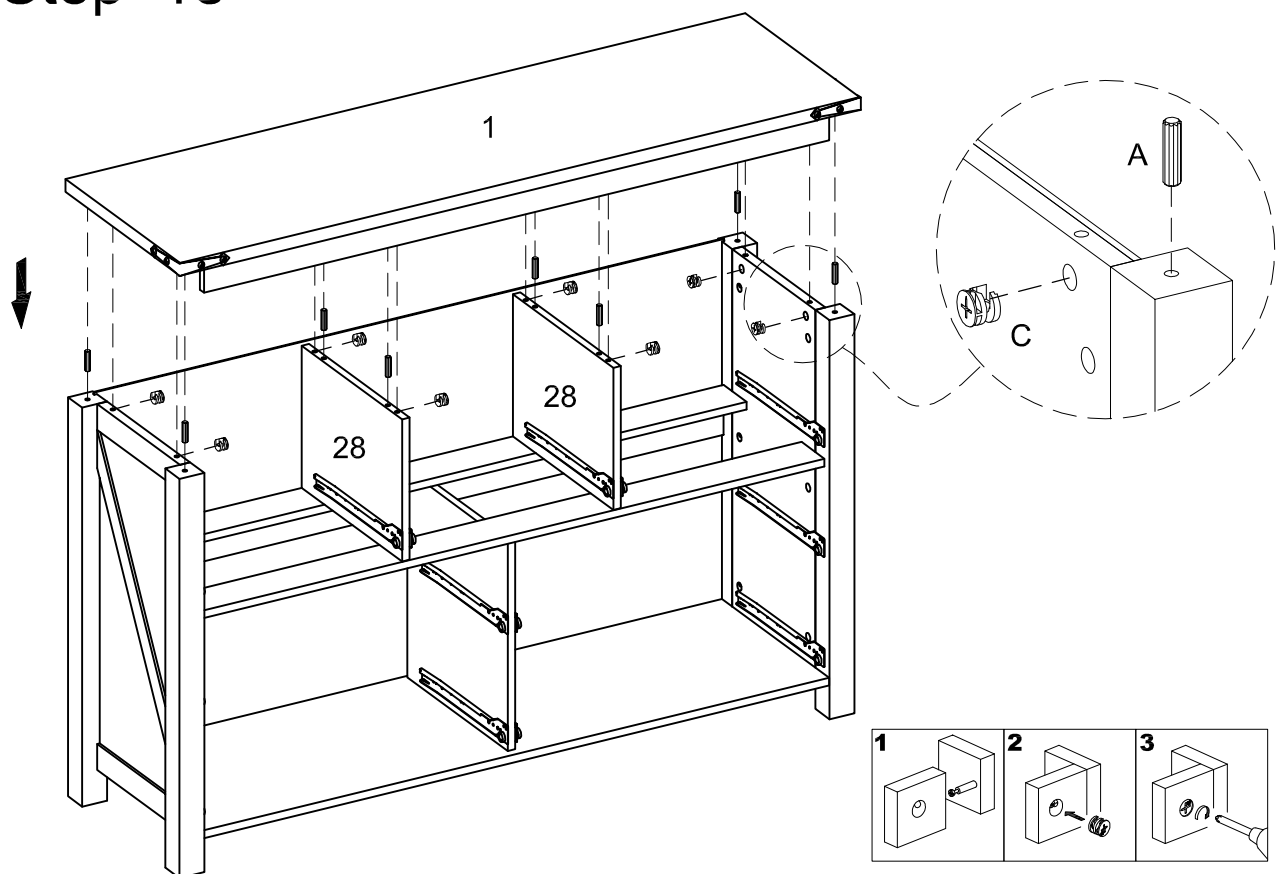
Step 16



Step 17

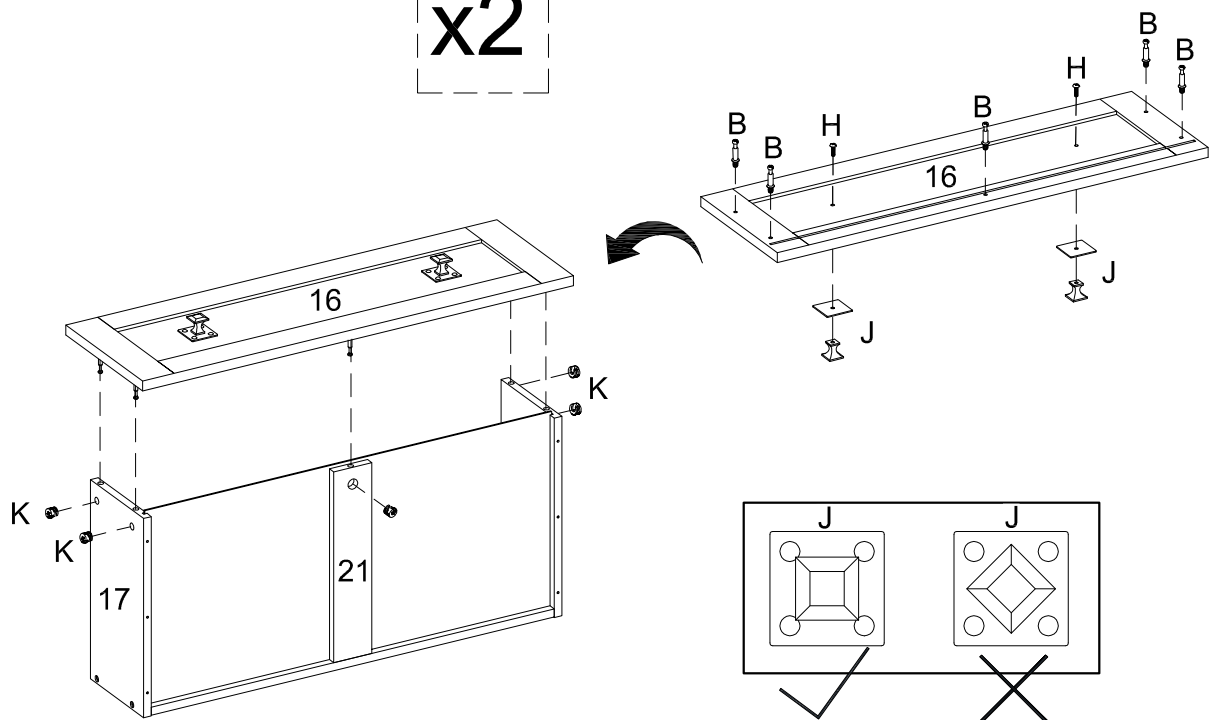


Step 18



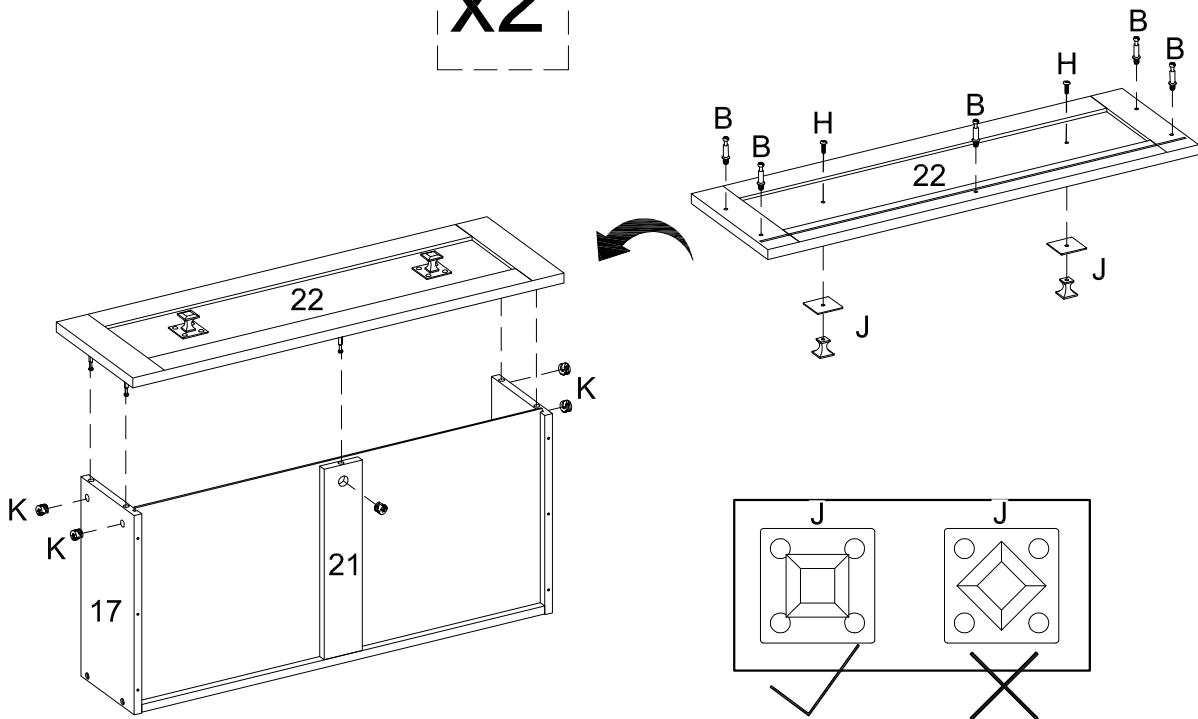
Step 21

x2

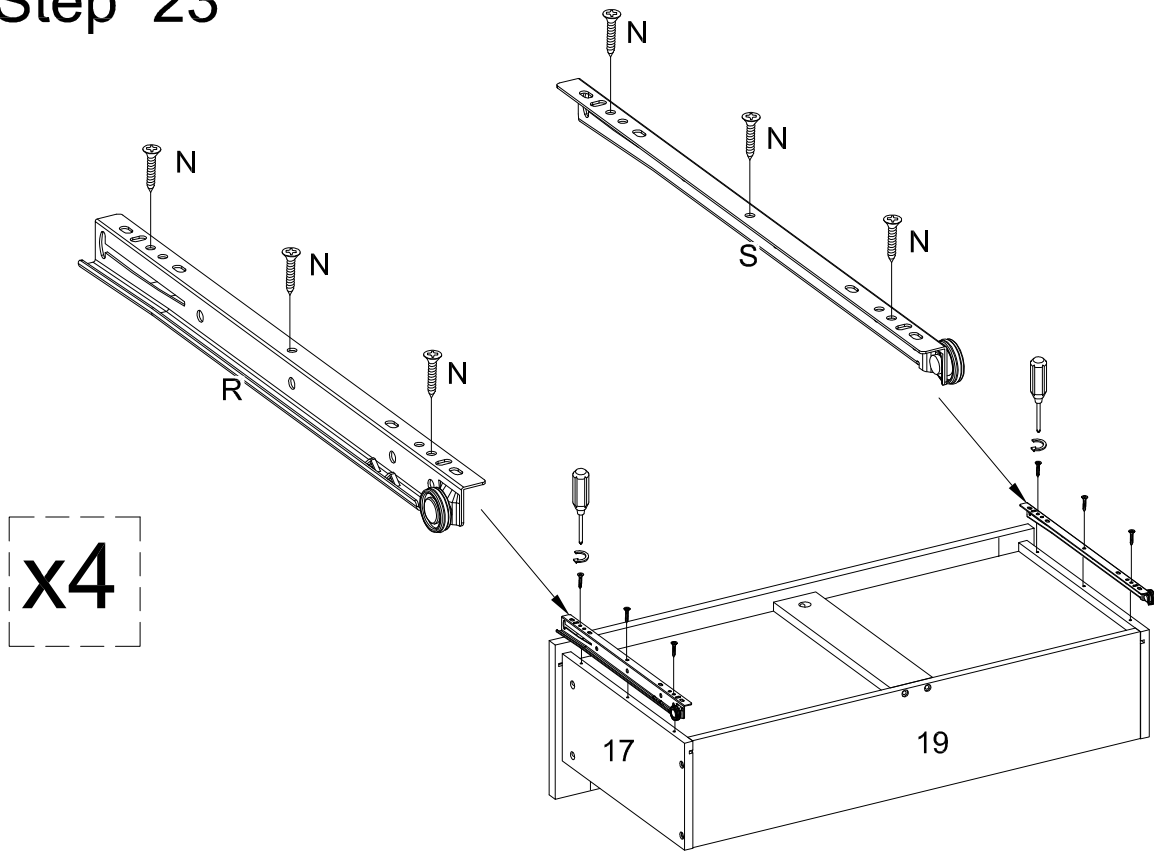


Step 22

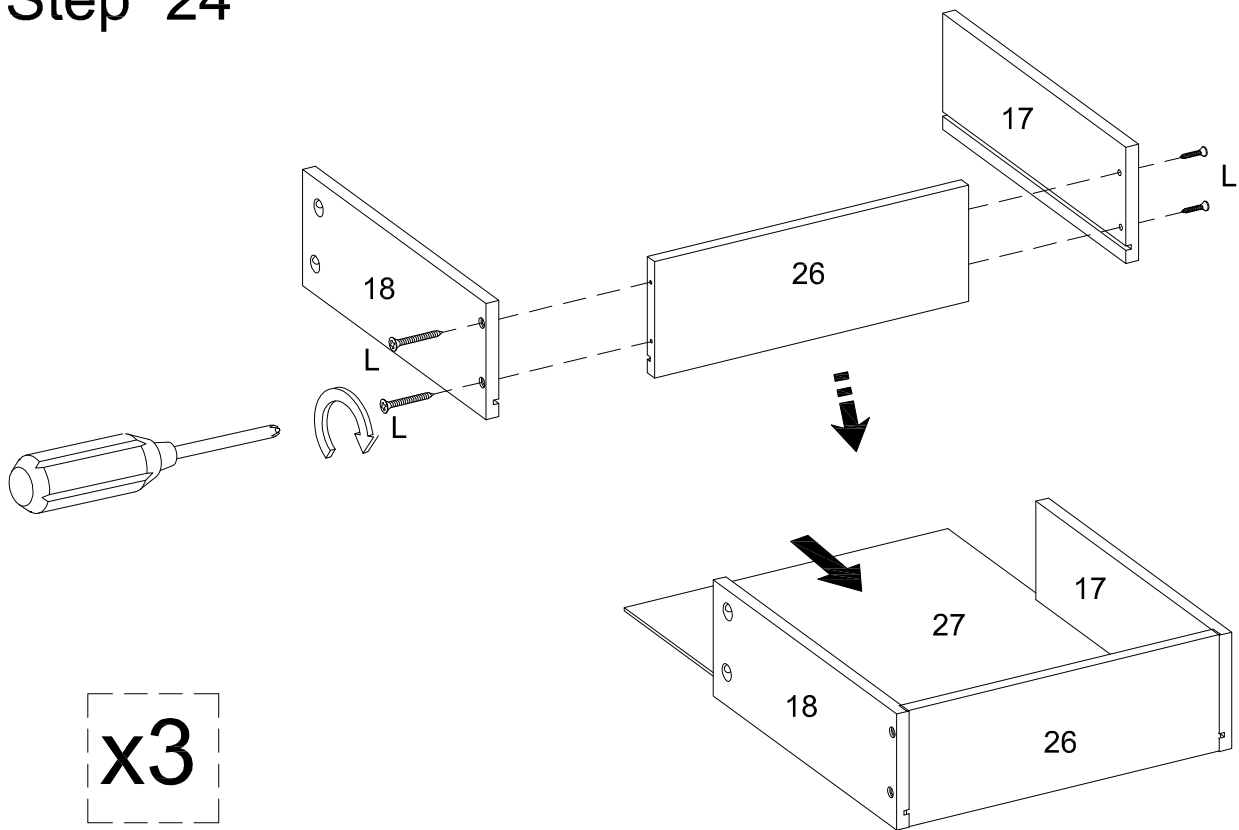
x2



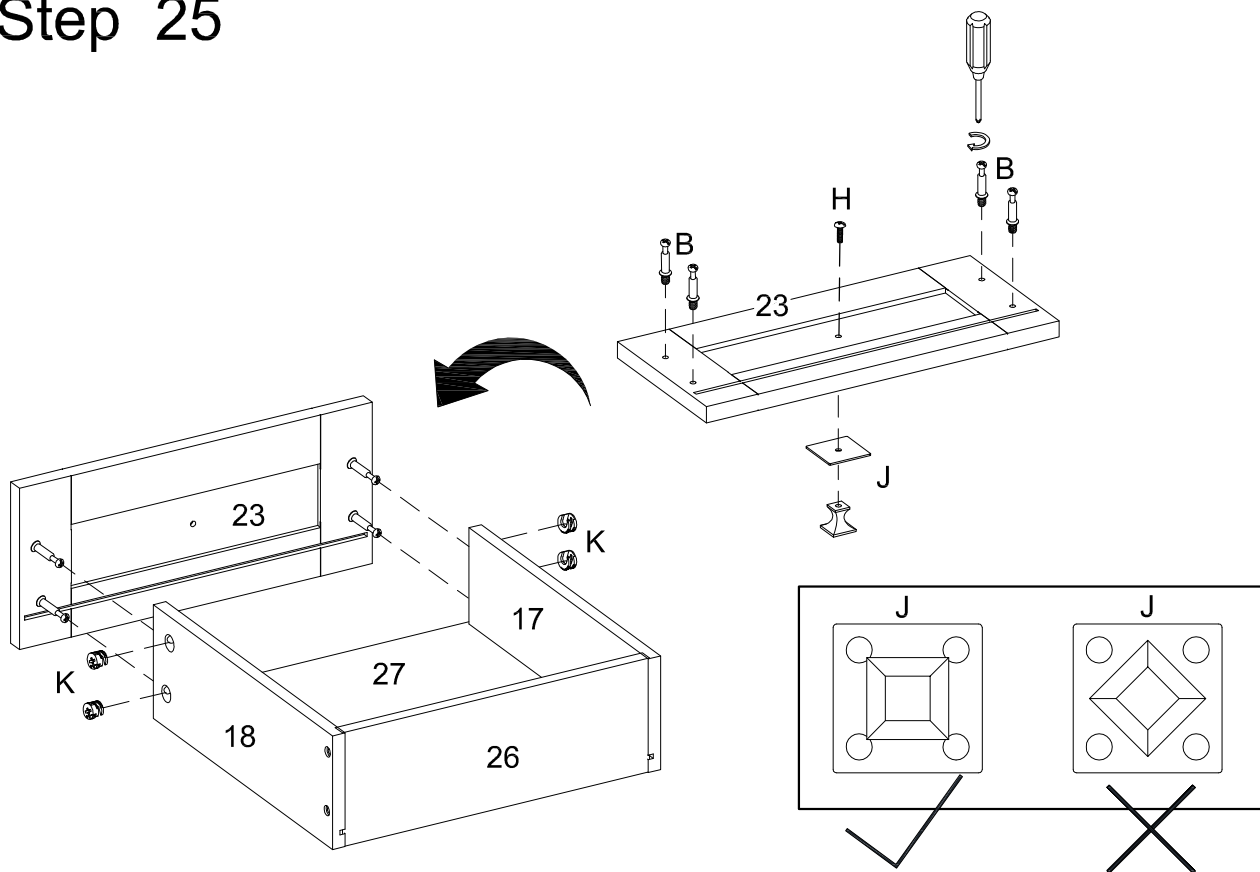
Step 23



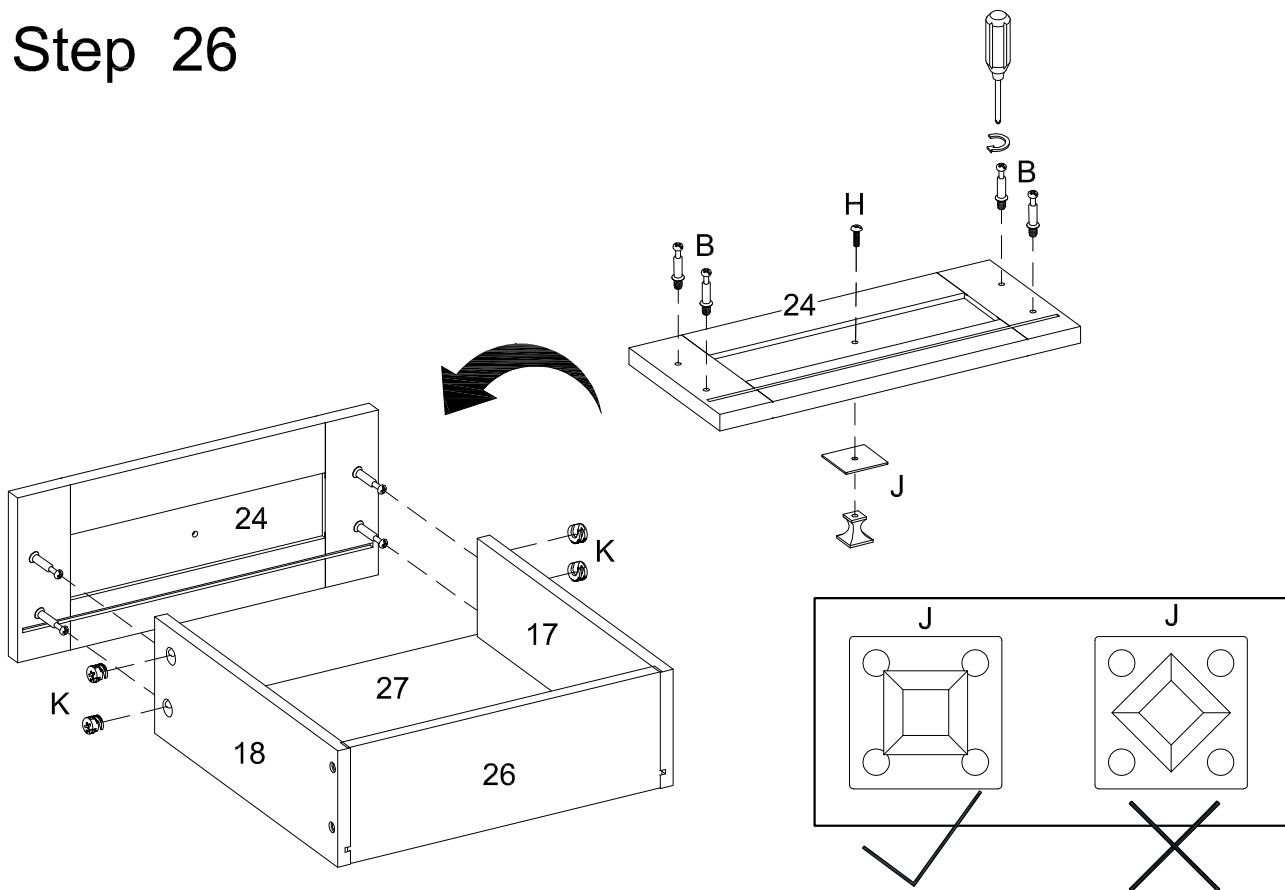
Step 24



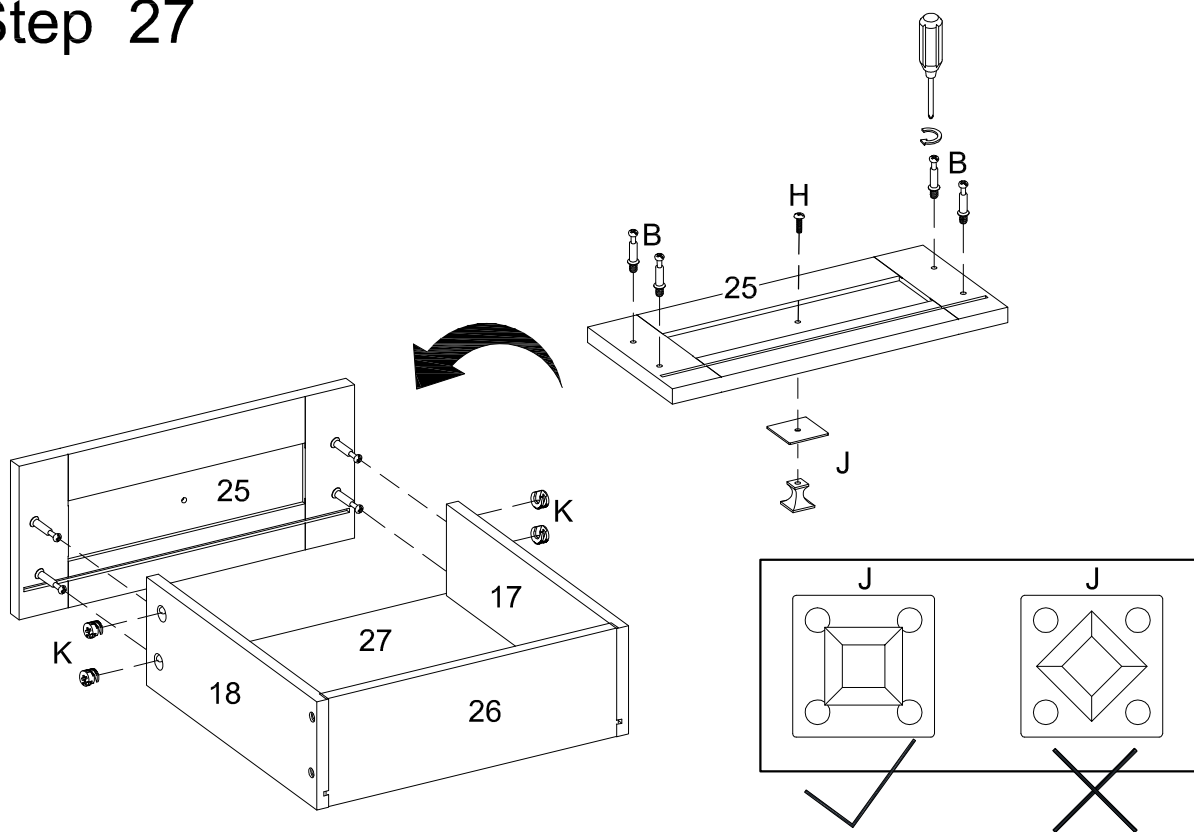
Step 25



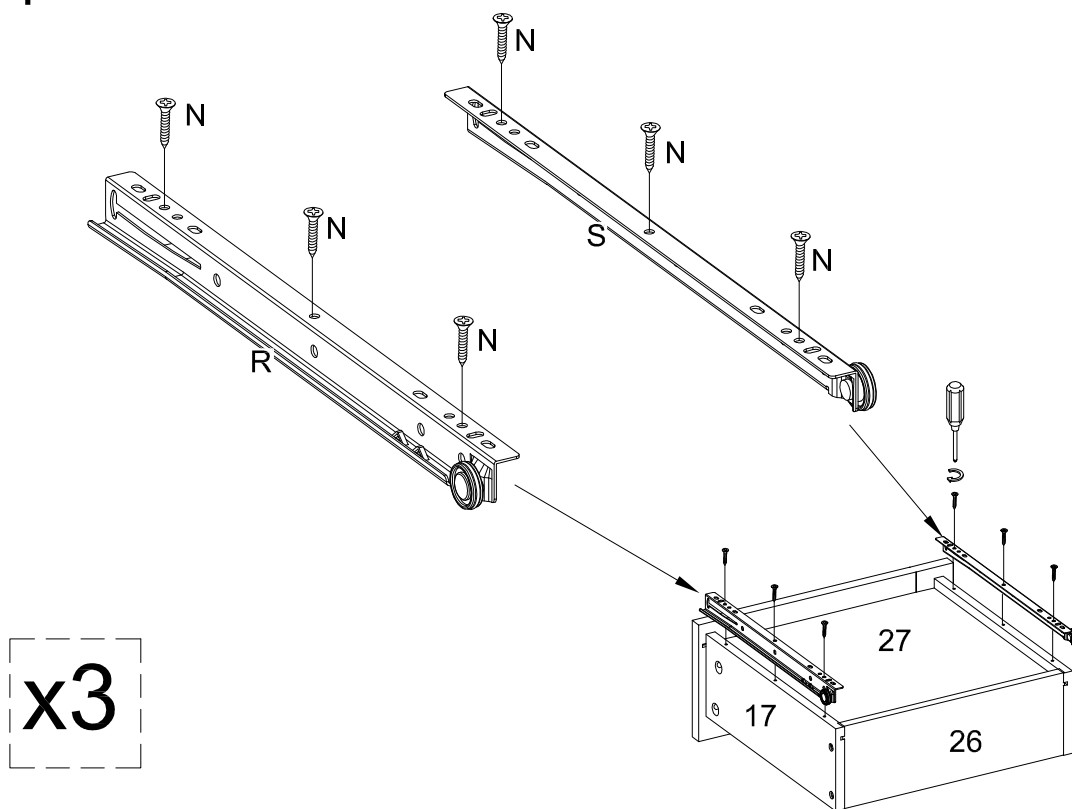
Step 26



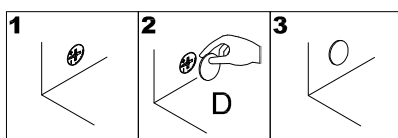
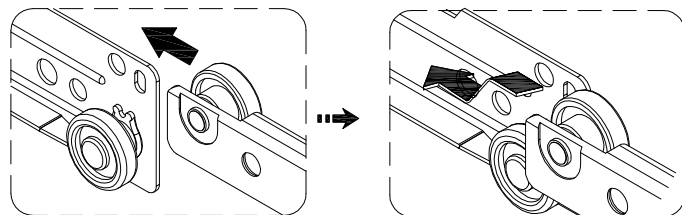
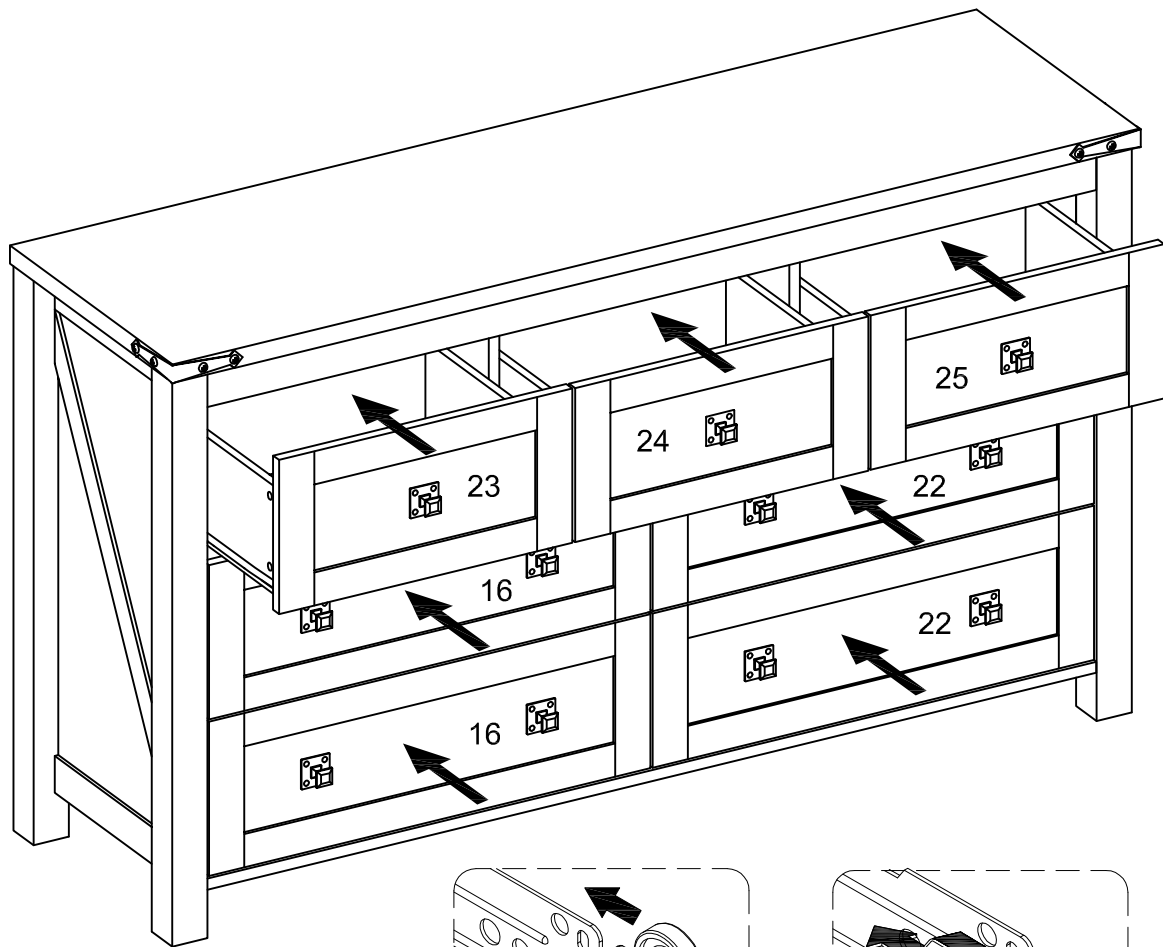
Step 27



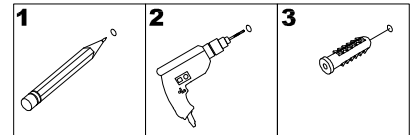
Step 28



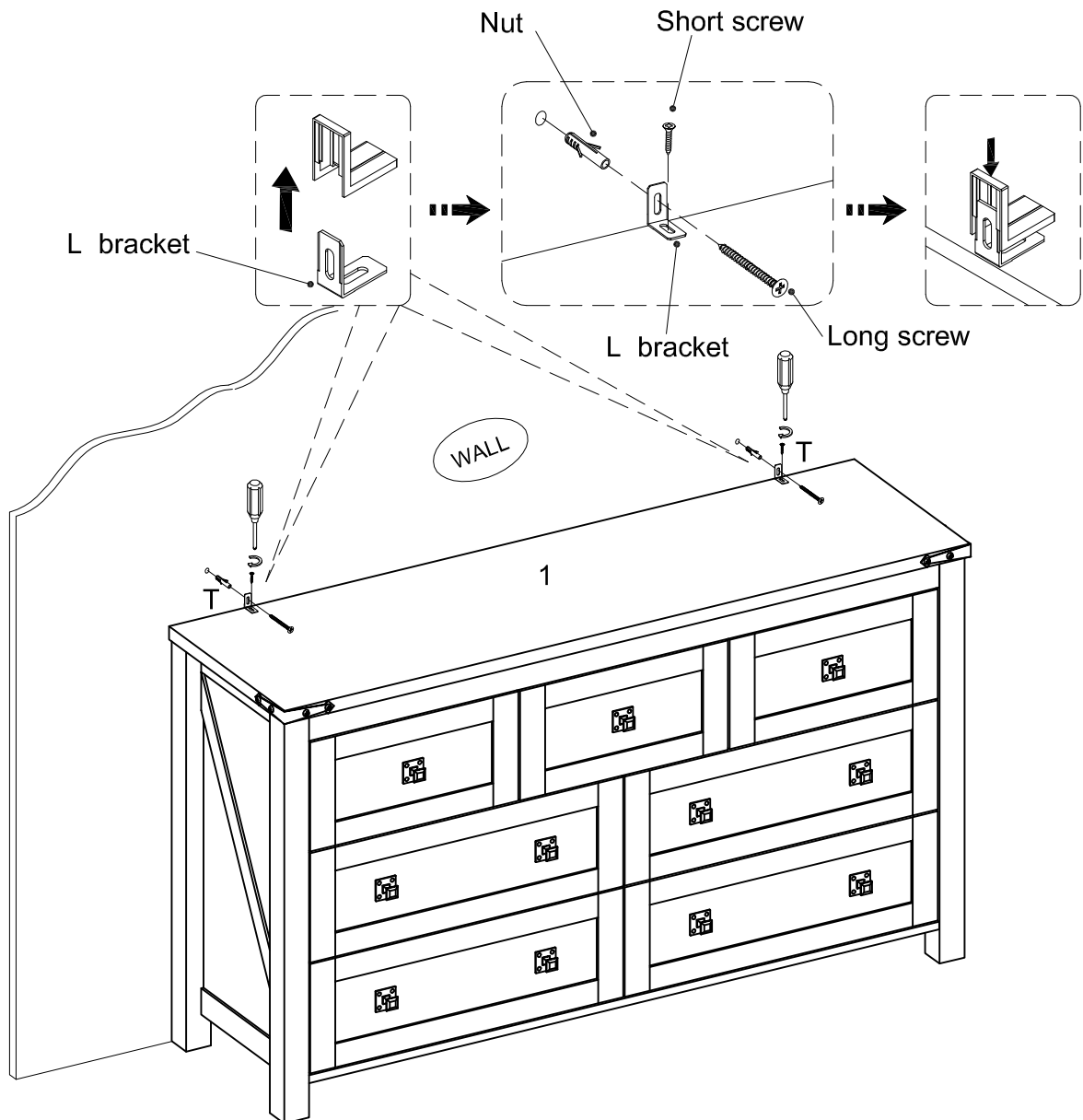
Step 29



Step 30



Serious or fatal injuries can occur from furniture tipping over. To prevent the furniture from tipping over we recommend that it is permanently fixed to the wall. Wall anchor and hardware are included with this product. Please make sure hardware is suitable for your walls before installing, as different wall materials may require different types of anchors.



Final Assembly