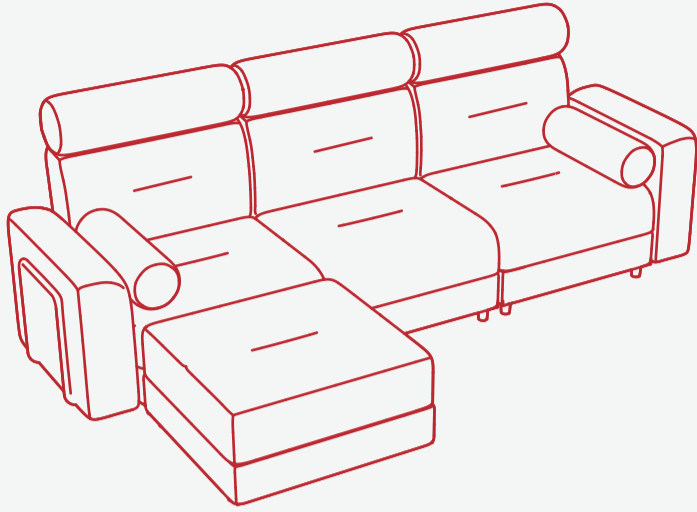


MODULAR COUCHES

ARMREST ACCESSORY KIT INSTRUCTION MANUAL



ULTIMATE COZY COMFORT

TIPS & PREP

Your new couch comes with an easy tool assembly that you can do at home using the provided instructions. But before we dive in, here are some key tips and prep steps to make the assembly process as smooth as possible.

Get a buddy or family member

Even though the assembly is completely tool-free, it involves lifting and aligning various parts. To make assembly easier, we suggest having at least two people there throughout the process.

Left or right matters!

Throughout assembly, we'll mention the Left and Right Arm Panels and movements to the left and right. We'll be using 'left' and 'right' based on the perspective of standing in front of your couch.

Don't overlook the glossary!

We've included a glossary with these instructions to help you identify every part and piece of hardware. If you run into any issues, consult the glossary to ensure you're using the right components.

Unbox and check your hardware

The hardware pack for your couch is in the seat base. Open it up, lay out each piece, and double-check with the checklist to make sure you have everything you need. If anything's missing, reach out to customer service before moving forward.

Have your scissors handy!

Make sure you have scissors nearby. The cushions and seat pads are in compression bags. Carefully open them to prevent any damage or injury while unpacking.

Clear the space!

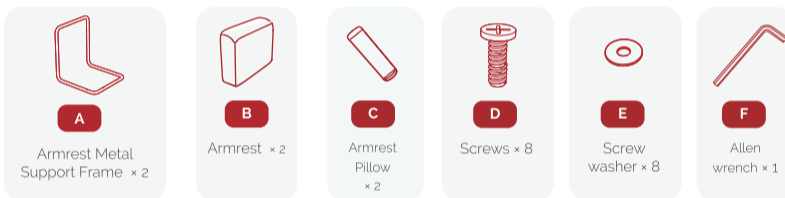
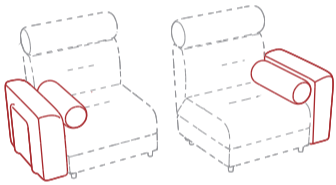
We recommend putting your couch together in a roomy, clutter-free area, away from pets and little ones. Lay down a sheet to keep the couch components clean and free of debris during assembly.

COUCH ARMREST ACCESSORY PRODUCT LIST

This is the parts list for the modular couch armrest accessory kit, with left and right armrests. Install the armrest covers onto the pre-assembled middle-seat modules. Complete the middle-seat installation first, then fit the armrest covers. If issues arise, contact us immediately.

Left and right armseat Accessory Kit

Pay attention to the part indicated by the red solid line in the picture.



COUCH ASSEMBLY INSTRUCTIONS

This details the modular couch armrest accessory kit installation. Accessories and steps are for the left and right armrest seat, not for other modules. Verify your purchased module type. For other modules, refer to their instruction manuals.

Before installing the armrests, make sure to complete the installation of the middle-seat modules.

NOTICE:

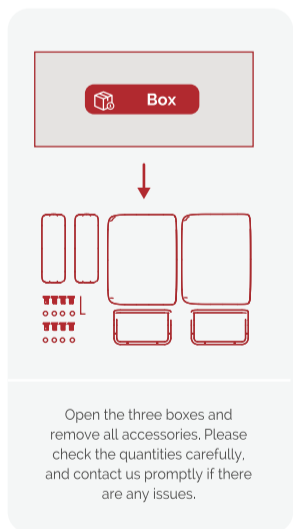
Don't worry, it may take at least 72 hours for all compressed foam to fully regain its shape after decompression.

CARE:

The couch covers are removable and washable. It is recommended to use a fabric cleaner specifically designed for furniture. Avoid washing at high temperatures. After cleaning, it is advisable to iron the fabric before use.

STEPS

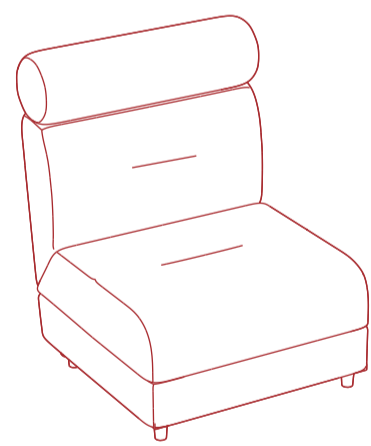
1



2

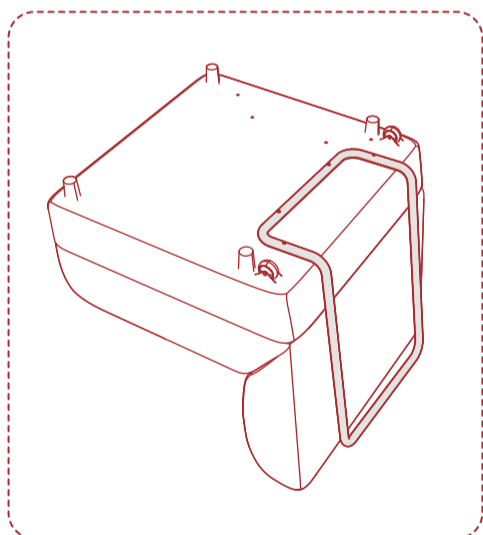
Remove the already installed middle-seat modules.

MS (middle seat)

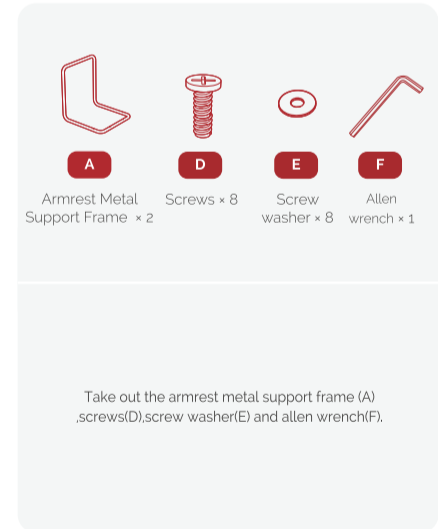


3

Flip the middle-seat modules.

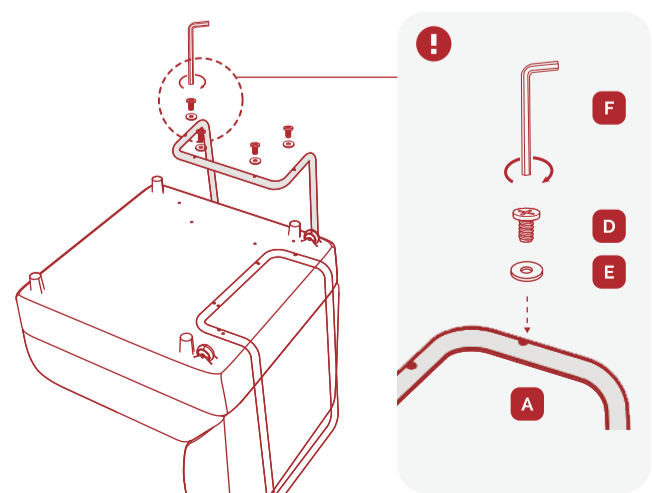


4



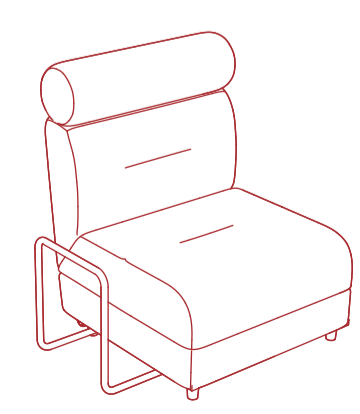
5

As shown in the picture, place armrest metal support frame (A) at the corresponding positions and fix them to the seat bases with screws.

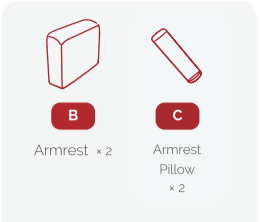


6

Flip the couch to its front side.



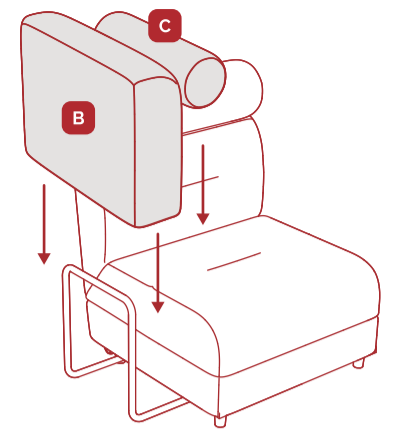
7



Take out the armrest (B) and armrest pillow (C).

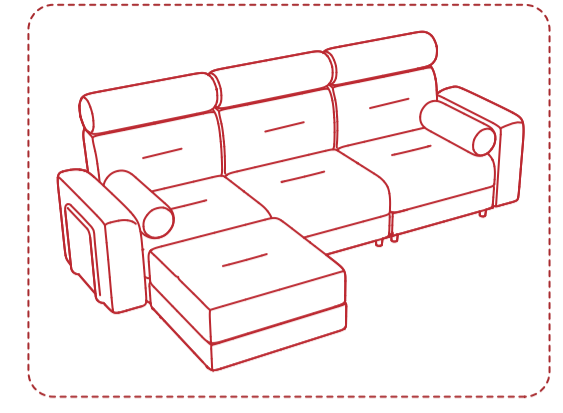
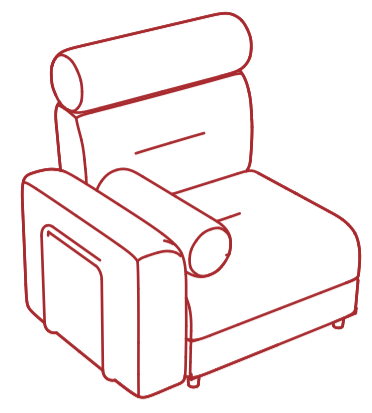
Help the foam regain its shape by gently patting it repeatedly.

Insert the armrests (B) into the armrest metal support frame (A). Place the armrest pillow (C) on the couch. The installation method is the same for both armrests.



8

Complete the installation. The installation steps are identical for both armrests.



DISCOVER MORE MODULAR COUCH CONFIGURATIONS

2-PIECE

LS x1 RS x1

4-PIECE

LS x1 MS x1 RS x1 OT x1

5-PIECE

LS x1 MS x2 RS x1 OT x1 LS x1 MS x1 RS x1 OT x2 LS x1 MS x1 RS x1 OT x2

6-PIECE

LS x1 MS x2 RS x1 OT x2

8-PIECE

LS x1 MS x2 RS x1 OT x4

3-PIECE

LS x1 RS x1 OT x1

LS x1 RS x1 OT x2

5-PIECE **6-PIECE**

LS x1 MS x2 RS x1 OT x1 LS x1 MS x2 RS x1 OT x2 LS x1 MS x1 RS x1 OT x3

LS x1 MS x1 RS x1 OT x3

LS x1 MS x2 RS x1 OT x4

LS x1 MS x1 RS x1

LS x1 MS x1 OT x1 RS x1

LS x1 MS x2 RS x1 OT x2