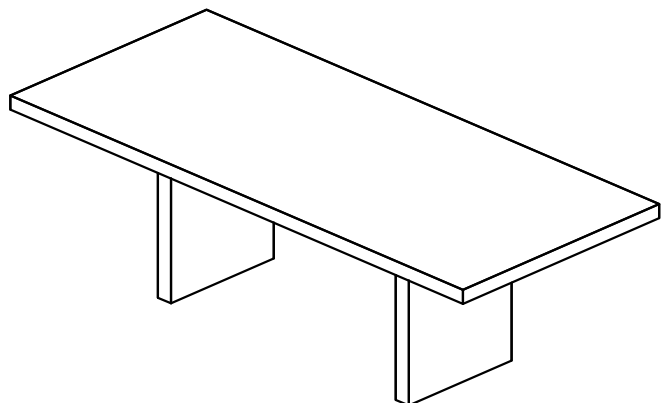



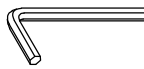



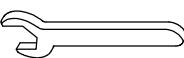
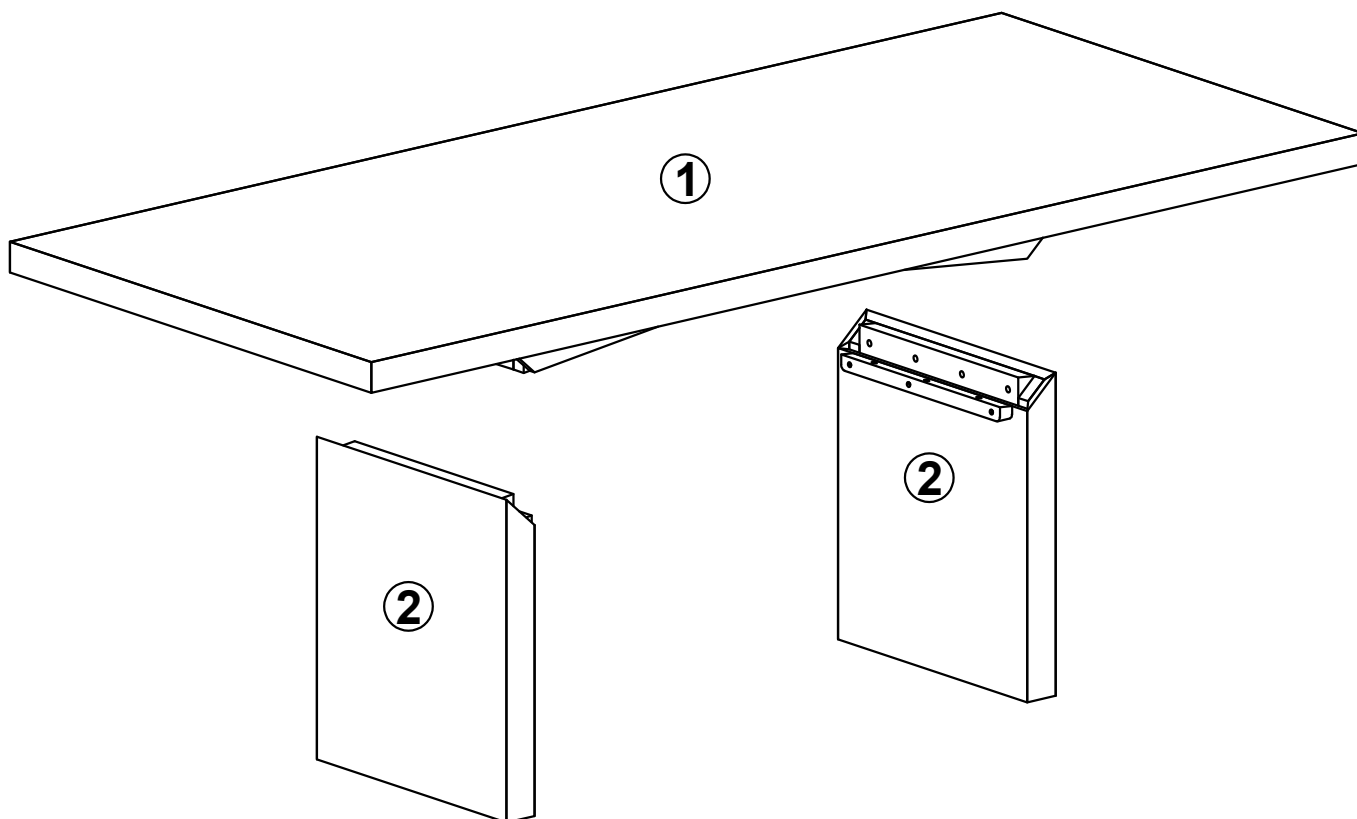


ASSEMBLY INSTRUCTION FOR DINING TABLE

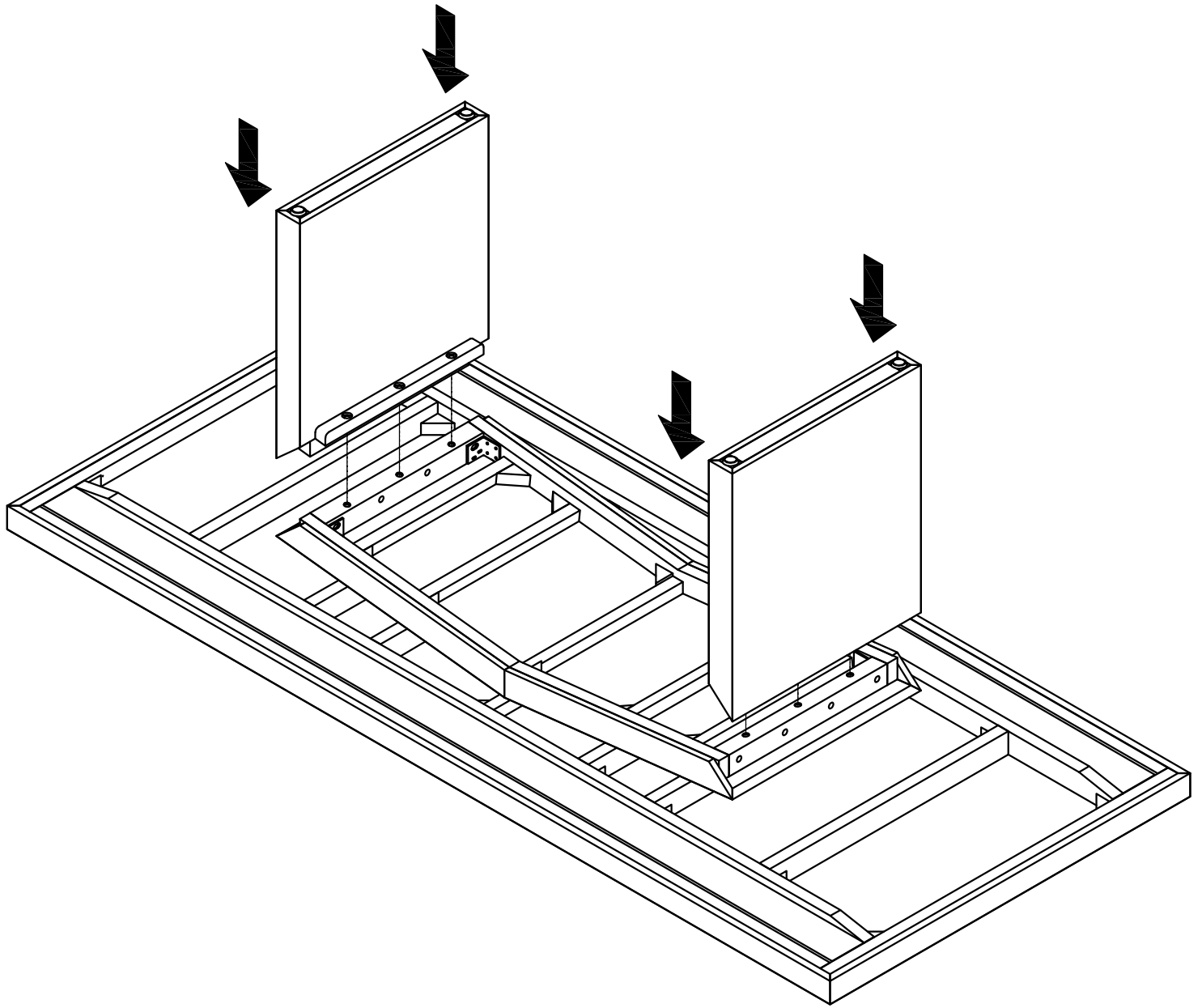


Hardware List

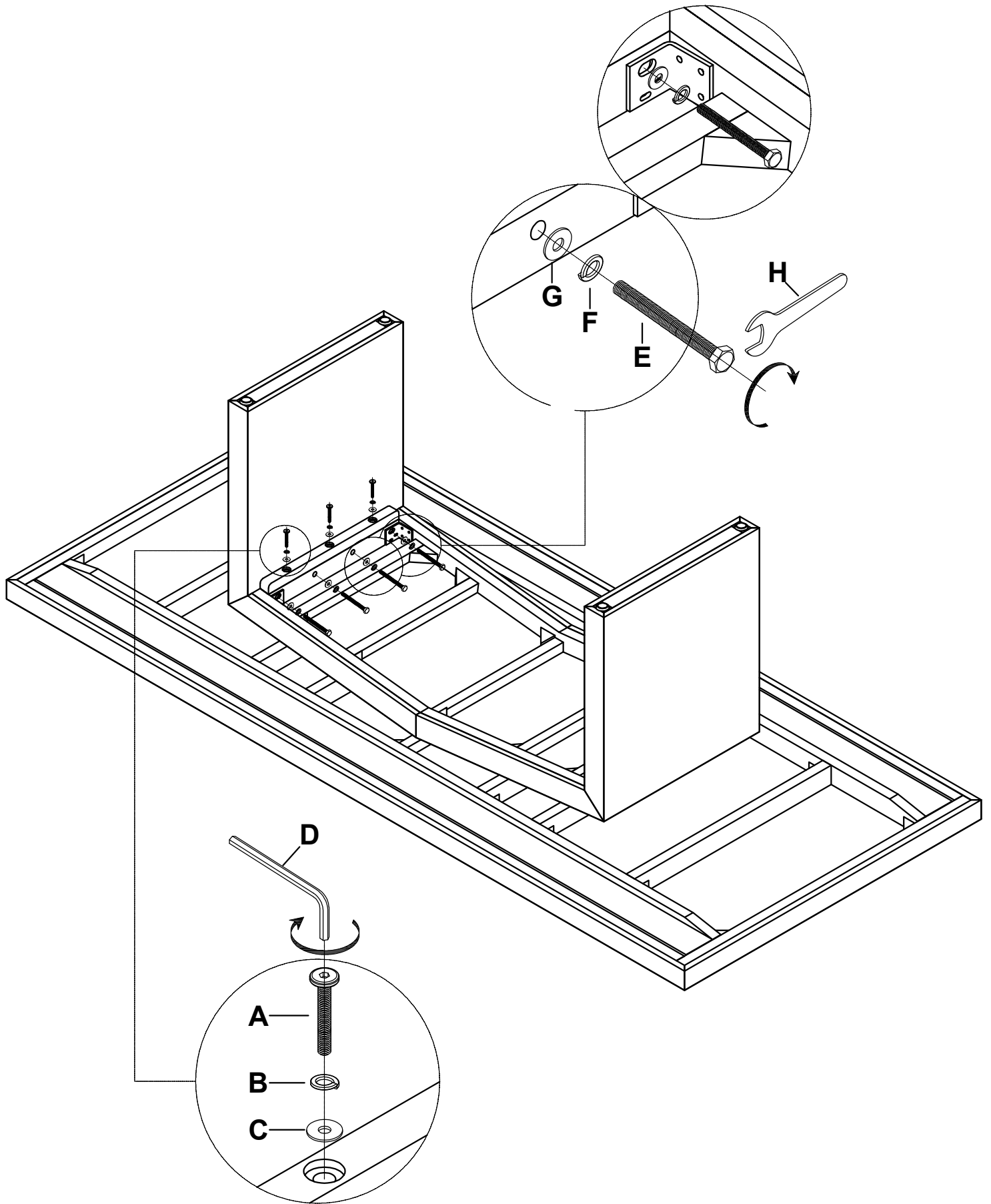
A		Bolt	8x50 mm	6
B		Spring washer	Ø8 mm	6
C		Flat washer	8x19 mm	6
D		Allen key	4 mm	1
E		Hex bolt	10x80 mm	8
F		Spring washer	Ø10 mm	8
G		Flat washer	10x23 mm	8
H		Wrench	17 mm	1



Step 1



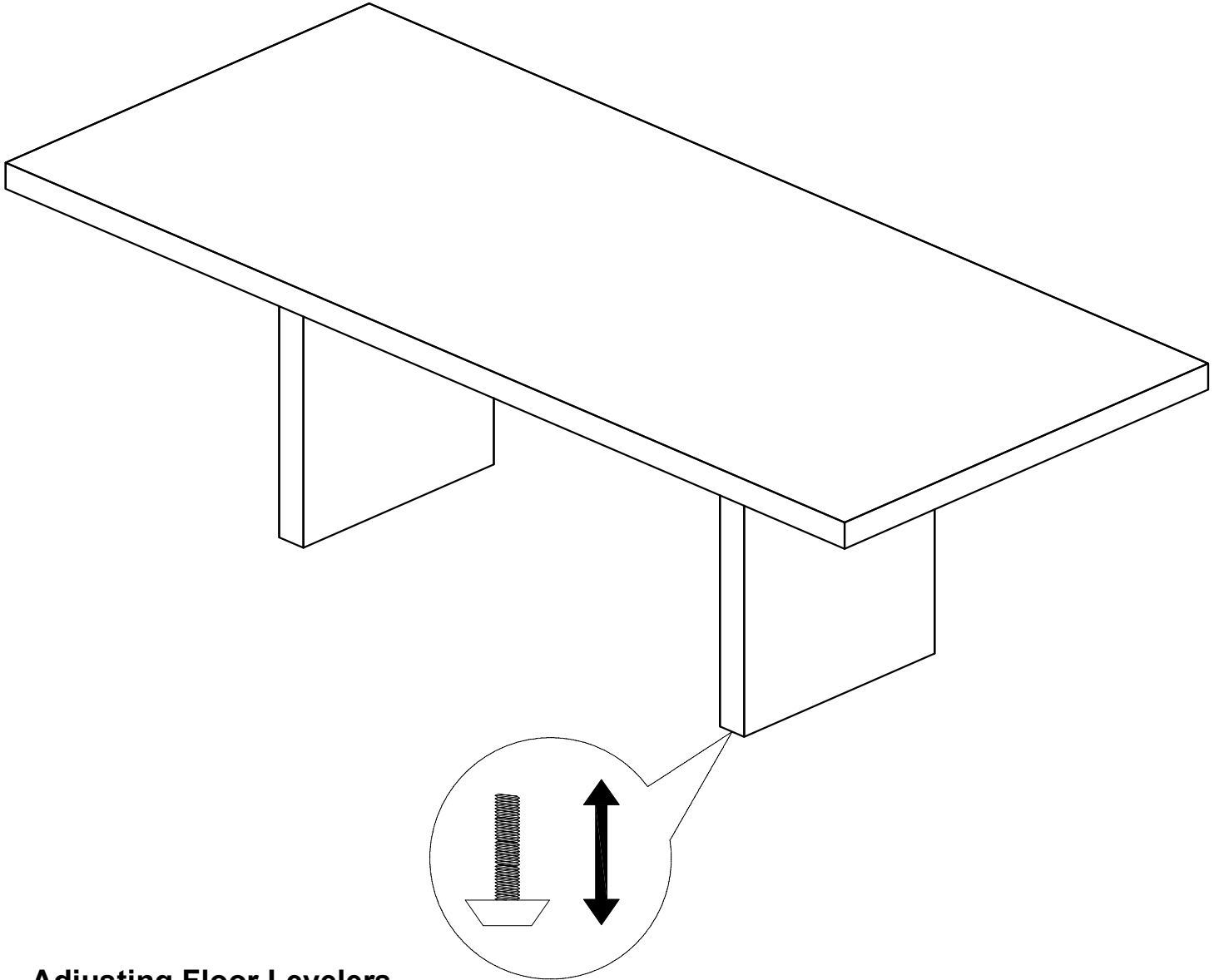
Step 2



Step 3

Adjusting floor levelers and door hinges

Your furniture has been expertly crafted and re-adjusted by professionals. However, slight shifts can occur during transportation. If you notice that the furniture wobbles, a quick adjustment can help ensure stability and a seamless look.



Adjusting Floor Levelers

Check for stability - Place the furniture in its final position on a level surface. If it wobbles or doesn't sit evenly, the floor levelers need adjusting.

Locate the levelers - These are small adjustable feet found at the bottom corners of your furniture.

Adjust as needed - Using your hand or a wrench, turn the levelers clockwise to raise or counterclockwise to lower the furniture. Make small adjustments and check stability after each turn.

If you need further adjustments, repeat the process in small increments.