



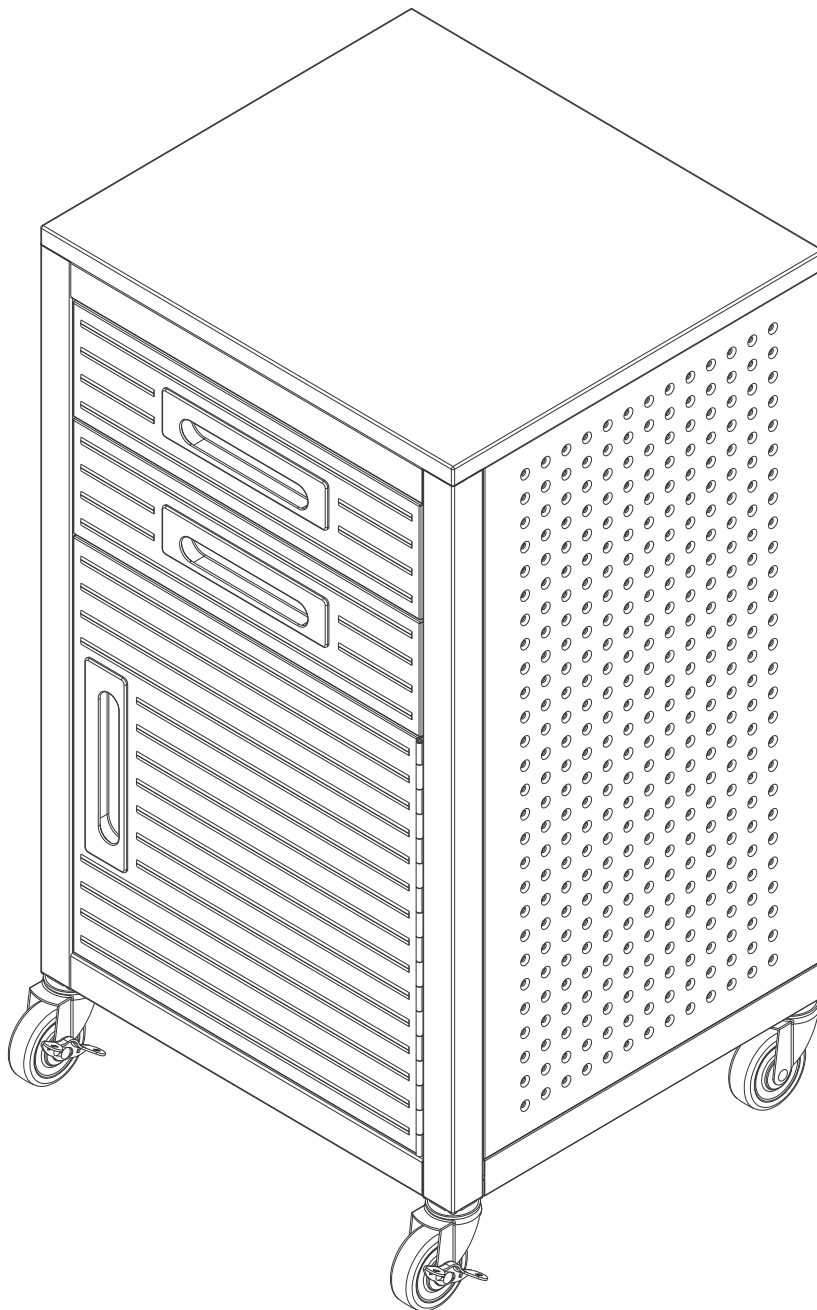
## ASSEMBLY INSTRUCTIONS

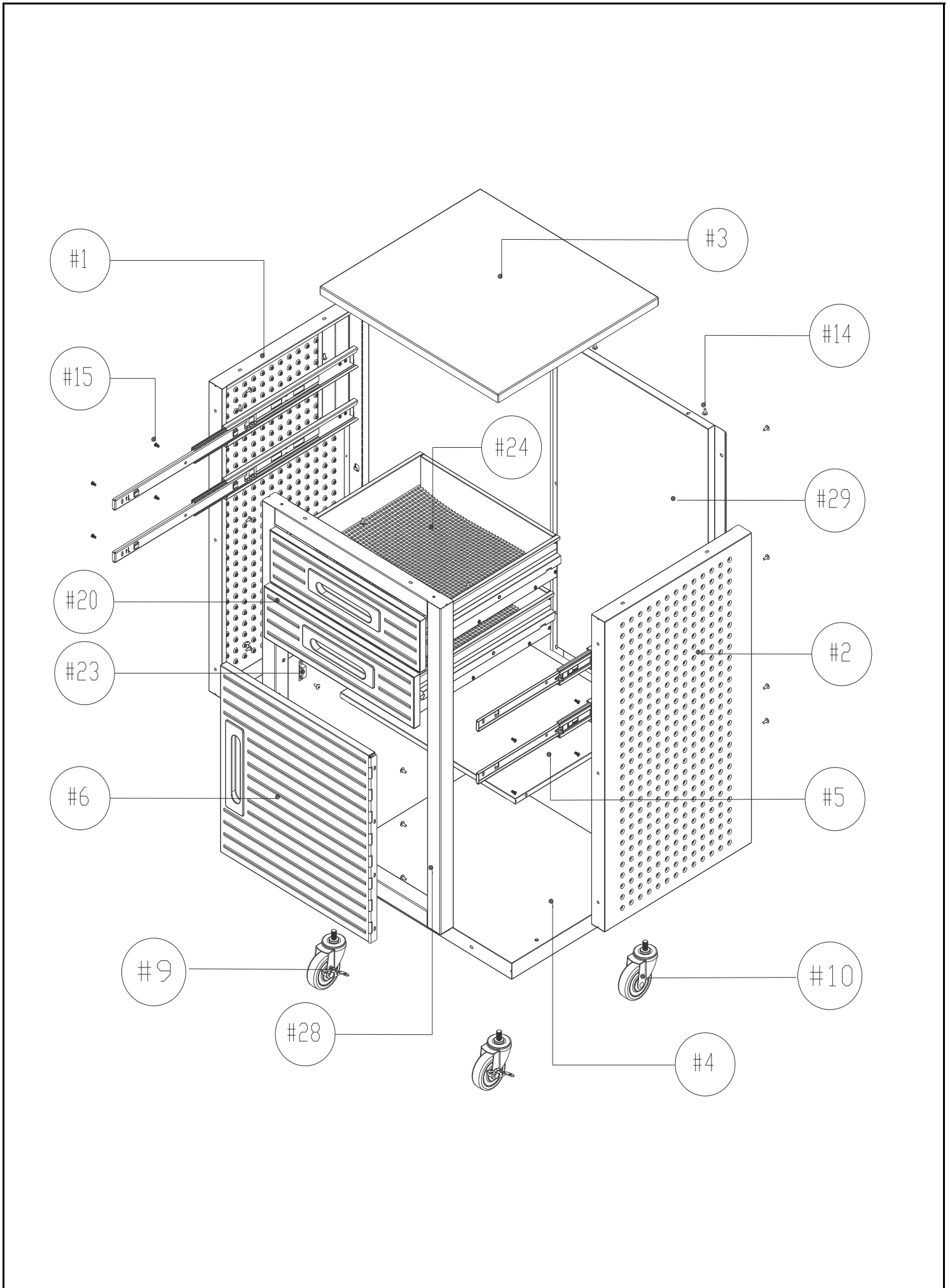
UltraHD® 2-Drawer Storage Cabinet (Model No. 20213)

20" W x 18" D x 34.7" H  
(50.8 cm W x 45.7 cm D x 88.2 cm H)

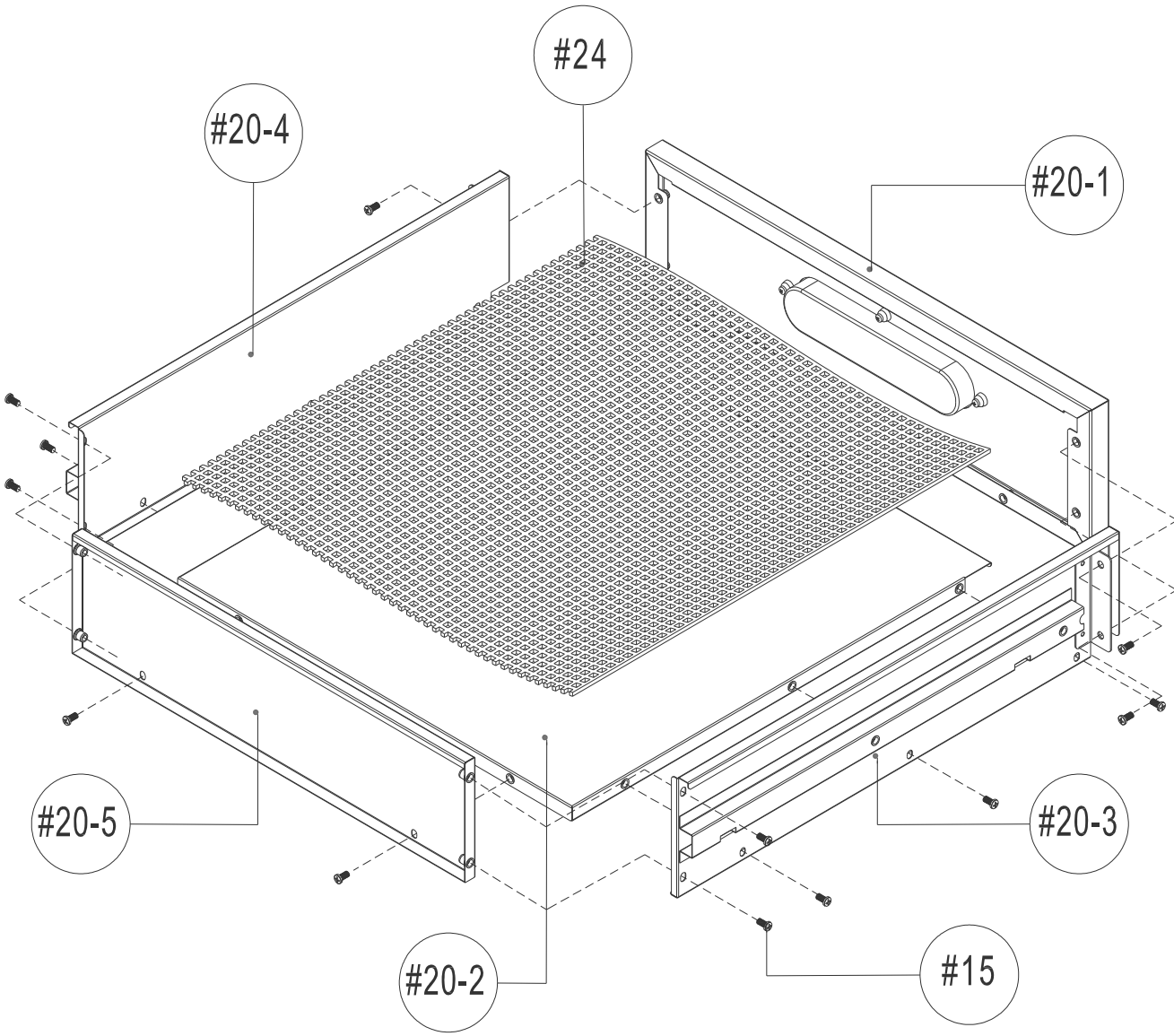
**ULTRAGUARD®**  
FINGERPRINT RESISTANT SURFACES  
AND INCREASED DURABILITY

Reference page 11 for special care  
and maintenance of stainless steel



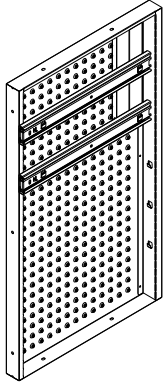


# #20 Drawer

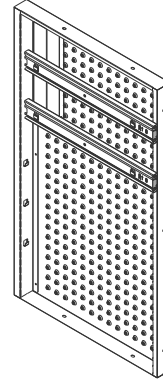


# PARTS LIST

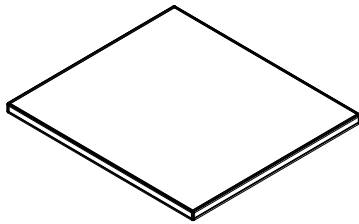
Please check the parts carefully according to the parts list. If you are missing any parts, please contact our customer service department. (Please refer to page 12 of 13.)



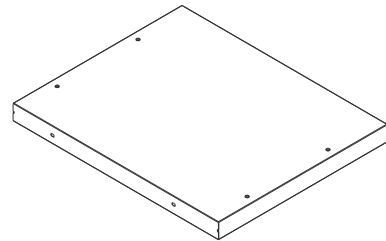
(#1)Left Panel X 1PC



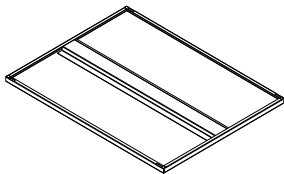
(#2)Right Panel X 1PC



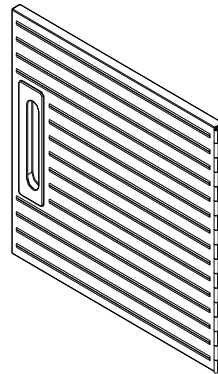
(#3) Wood Top X 1PC



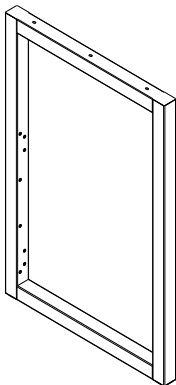
(#4)Bottom Panel X 1PC



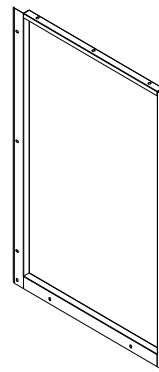
(#5)Middle Shelf X 1PC



(#6)Door Panel X 1PC



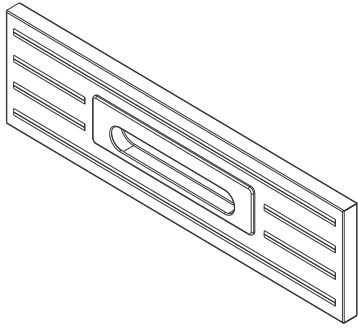
(#28) Front Frame X 1PC



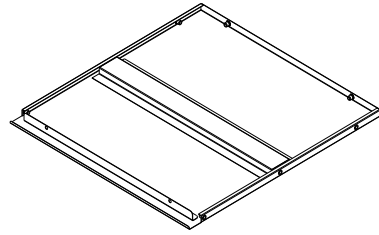
(#29)Back Panel X 1PC

# PARTS LIST

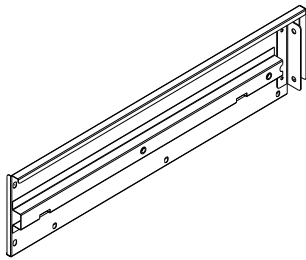
Please check the parts carefully according to the parts list. If you are missing any parts, please contact our customer service department. (Please refer to page 12 of 13.)



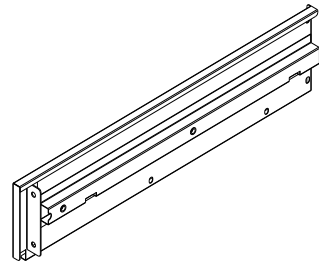
(#20-1)Drawer Front Panel X 2PCS



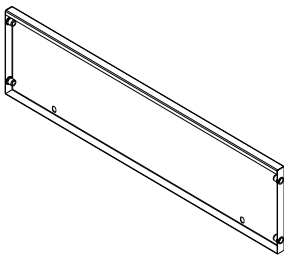
(#20-2)Drawer Base Panel X 2PCS



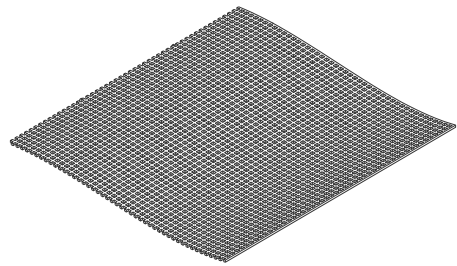
(#20-3) Drawer Left Panel X 2PCS



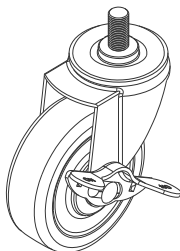
(#20-4)Drawer Right Panel X 2PCS



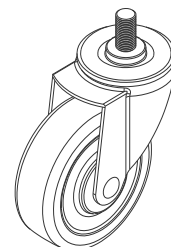
(#20-5)Drawer Back Panel X 2PCS



(#24)Drawer Mat X 2PCS



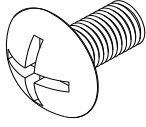
(#9) 3"x1"Wheel with Brake X 2PCS



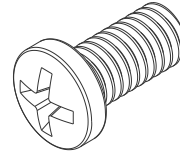
(#10)3"x1"Wheel W/O Brake X 2PCS

# PARTS LIST

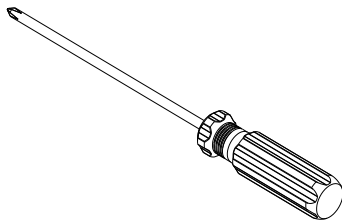
Please check the parts carefully according to the parts list. If you are missing any parts, please contact our customer service department. (please refer to page 12 of 13) .



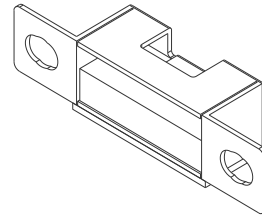
(#14) Screw A (M4 x 10 ) X 37 PCS



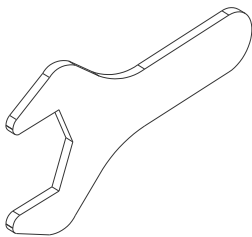
(#15) Screw B (M4 X 8L) X 44PCS



(#21) Screw Driver x 1 PC



(#23) Magnet x 2 PCS

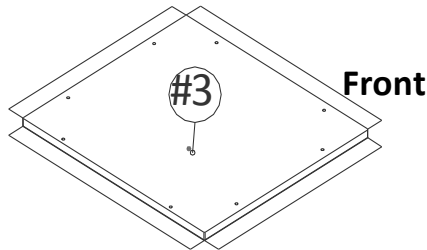


(#25-1) Wrench x 1 PC

# UltraHD® 2-Drawer Storage Cabinet (Model No. 20213)



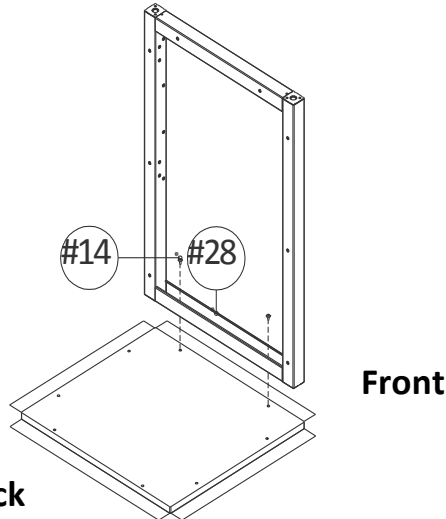
\*NOTE: We recommend using TWO people to assemble the cabinet.



**TIP:** A magnetic screwdriver is included for your convenience. If a power screwdriver is used, keep on a low torque setting.

**WARNING:** Some parts may have sharp edges. To avoid injury, wearing gloves is recommended during assembly.

Back



## Step 1: Install Front Frame (#28) to Wood Top (#3)

Open both boxes, locate and remove the cardboard box containing the Wood Top (#3). Set the other parts to the side.

When assembling this item, place the Wood Top up side down on the cardboard to avoid scratching the top surface.

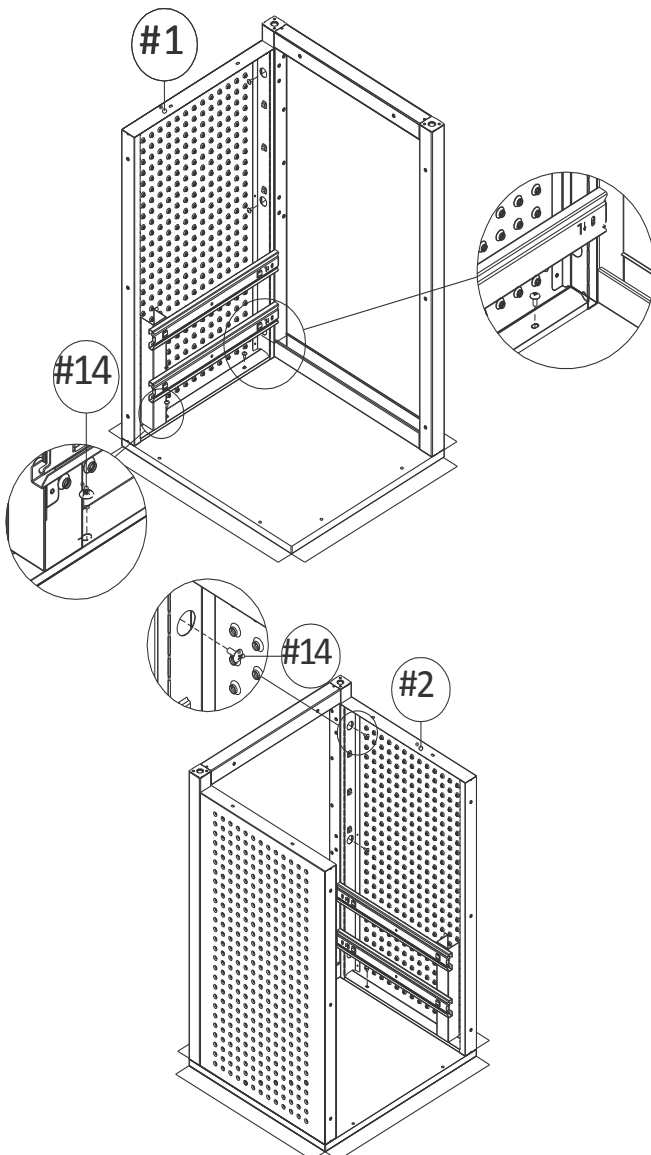
Place the Front Frame (#28) as the left picture shows and use 2 pcs Screw A (#14) to tighten.

Attach the

"Top" of the Front Frame (#28), as indicated by the attached sticker, to the Wood Top (#3).

(The Wood Top has set front or back end, make sure to assemble on the front side of the wood top).

Back



## Step 2: Install Left Panel (#1)

Attach Left Panel (#1) to Front Frame (#28), making sure the "Top" of Left Panel (#1) is on the Wood Top (#3). Use 5 pcs of Screw A (#14) to tighten.

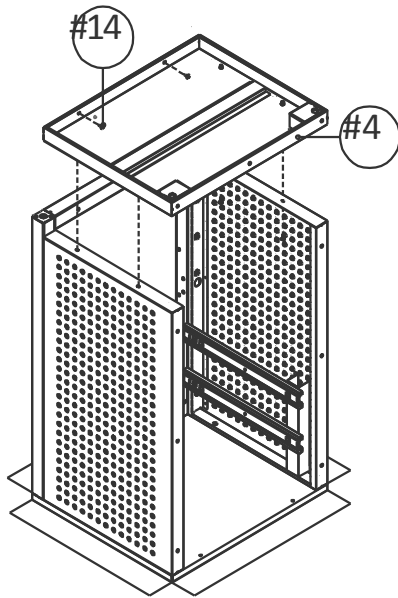
## Step 3: Install the Right Panel (#2)

Attach the Right Panel (#2) to the Front Frame (#28), make sure the "Top" of Right Panel (#2) is close to the Wood Top (#3). Again, the "Top" is indicated by a sticker on one of the vertical columns. Use 5 pcs of Screw A (#14) to tighten.

# UltraHD® 2-Drawer Storage Cabinet (Model No. 20213)

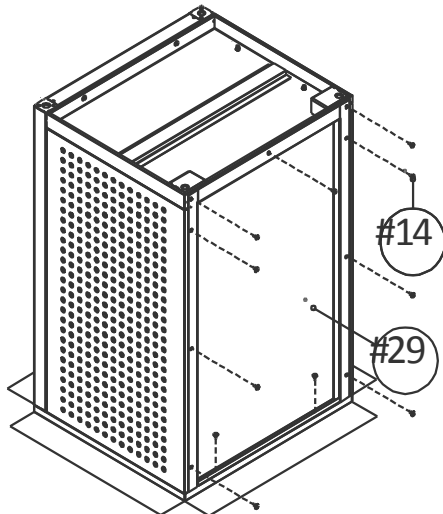


\*NOTE: We recommend using TWO people to assemble the cabinet.



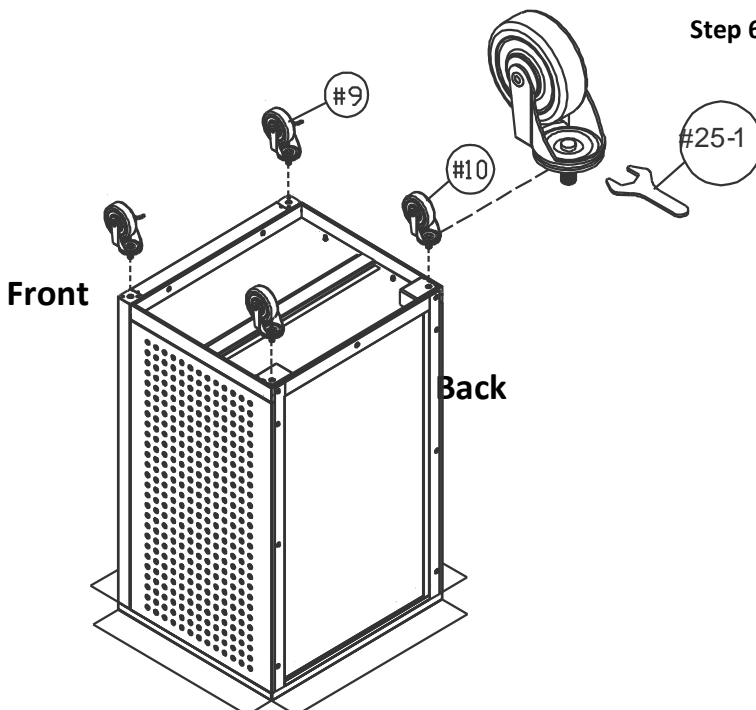
## Step 4: Install Bottom Panel (#4)

Attach Bottom Panel (#4) to the Left and Right Panel (#1 & #2) as the left picture shows. Use 6 pcs of Screw A (#14) and Screw Driver (#21) to tighten.



## Step 5: Install Back Panel (#29)

Place the Back Panel (#29) as the left picture shows and use 11 pcs Screw A (#14) to tighten.



## Step 6: Install Wheels (#9 and #10)

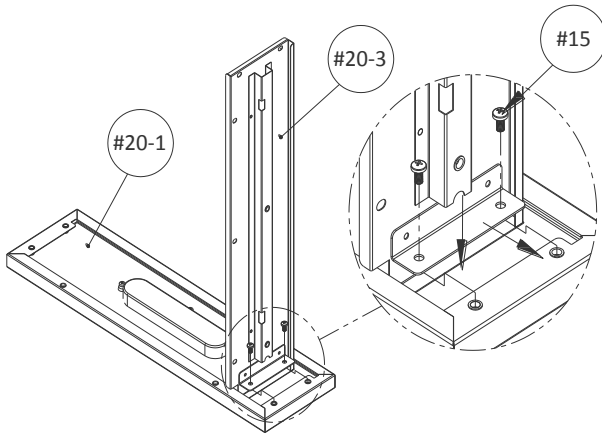
Use Wrench (#25-1) to tighten the wheels (#9) & (#10) on the Front Frame (#28) and Bottom Panel (#4).

Note: The wheels with brake (#9) should be fixed on the Front Frame (#28), and the wheels without brake (#10) should be fixed on the Bottom Panel (#4).

# UltraHD® 2-Drawer Storage Cabinet (Model No. 20213)

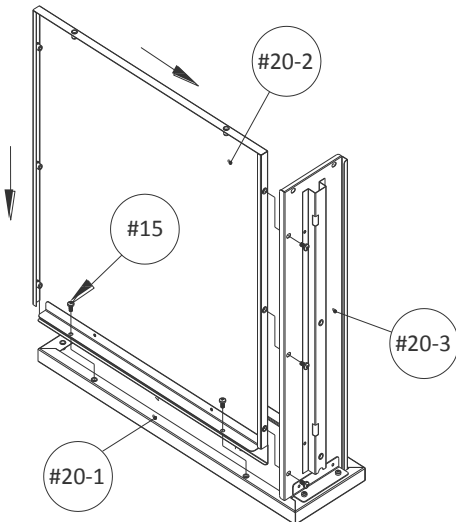


\*NOTE: We recommend using TWO people to assemble the cabinet.



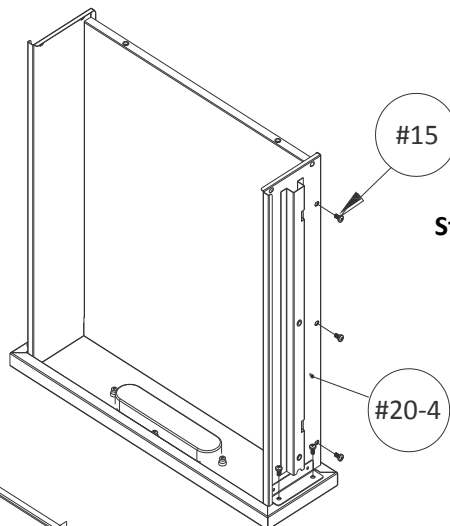
## Step 7: Install Drawer Front Panel (#20-1) and Drawer Left Panel (#20-3)

Attached the Drawer Left Panel (#20-3) to the Drawer Front Panel (#20-1) as the left photo shows. Use 2 pcs Screw B (#15) to tighten. Don't tighten screws completely.



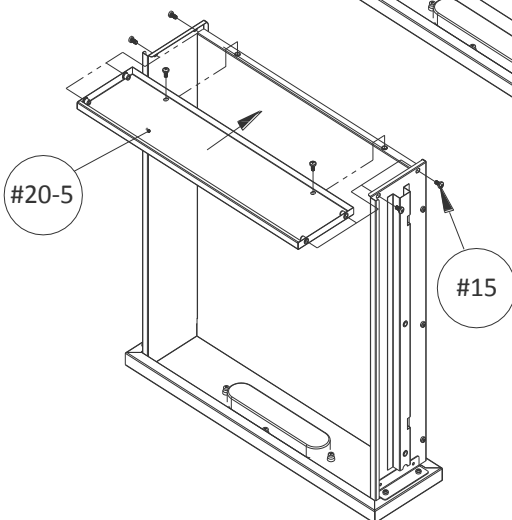
## Step 8: Install Drawer Base Panel (#20-2)

Place the Drawer Base Panel (#20-2) to the Drawer Left Panel (#20-3) and Drawer Front Panel (#20-1) as the left photo shows. Use 5 pcs Screw B (#15) to tighten. Don't tighten screws completely.



## Step 9: Install Drawer Right Panel (#20-4)

Attached the Drawer Right Panel (#20-4) to the Drawer Front Panel (#20-1) and the Drawer Base Panel (#20-2) as the left photo shows. Use 5 pcs Screw B (#15) to tighten. Don't tighten screws completely.



## Step 10: Install Drawer Back Panel (#20-5)

Attached the Drawer Back Panel (#20-5) to the Drawer Left and Right Panel (#20-3 & #20-4) and Drawer Base Panel (#20-2), lined up the screw holes. Use 6 pcs of Screw B (#15) to tighten, then tighten all screw B (#15) that are not tightened in the above step.

# UltraHD® 2-Drawer Storage Cabinet (Model No. 20213)



\*NOTE: We recommend using TWO people to assemble the cabinet.



## Step 7: Place the Drawers (#20)

A. Pull out the sliders completely, then attach the drawer to the sliders. Make sure the square holes on the drawer side panels are line up, and the drawer is hooked onto the sliders completely.

B. Use 4pcs Screw B (#15) to tighten the drawer to the Slider.

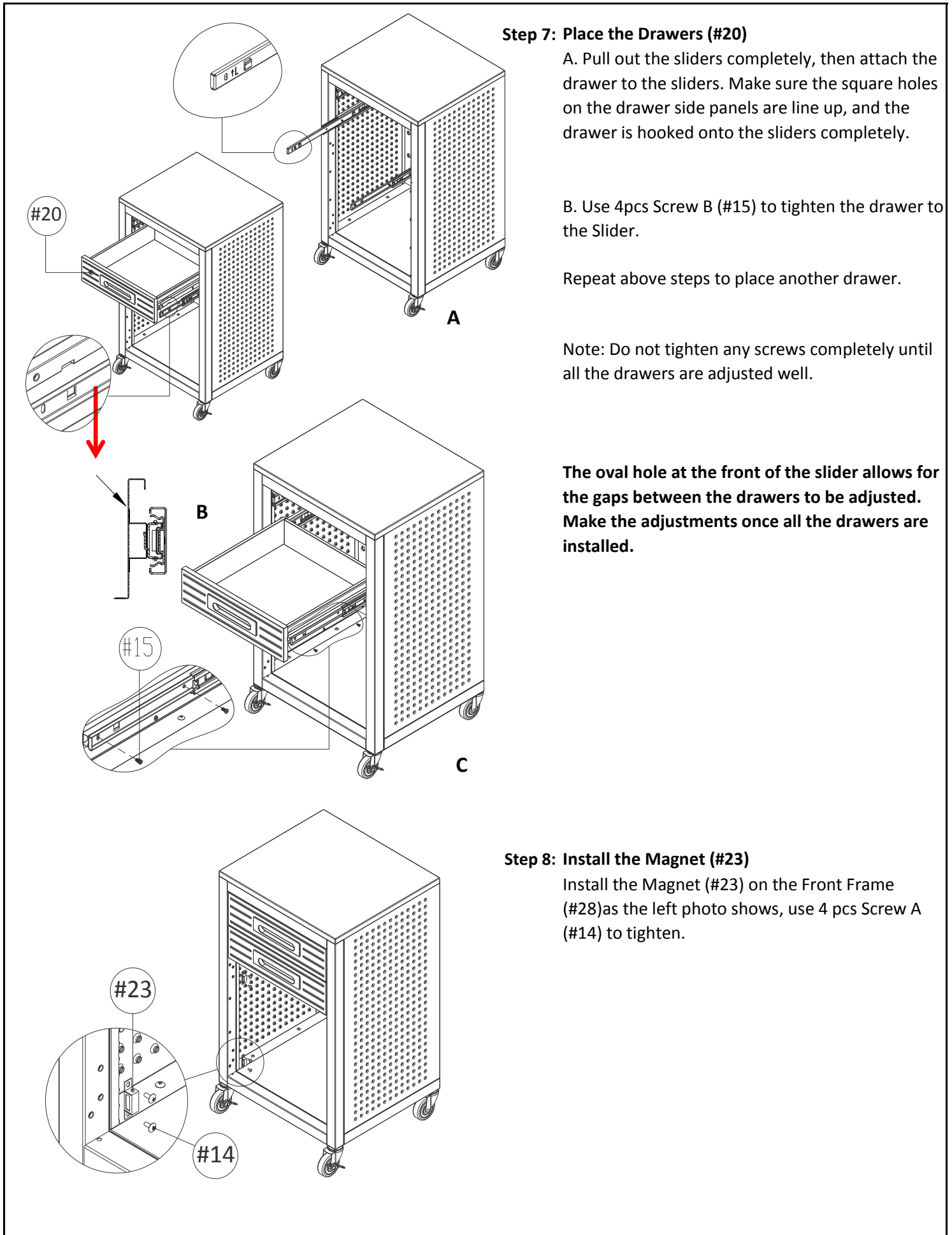
Repeat above steps to place another drawer.

Note: Do not tighten any screws completely until all the drawers are adjusted well.

The oval hole at the front of the slider allows for the gaps between the drawers to be adjusted. Make the adjustments once all the drawers are installed.

## Step 8: Install the Magnet (#23)

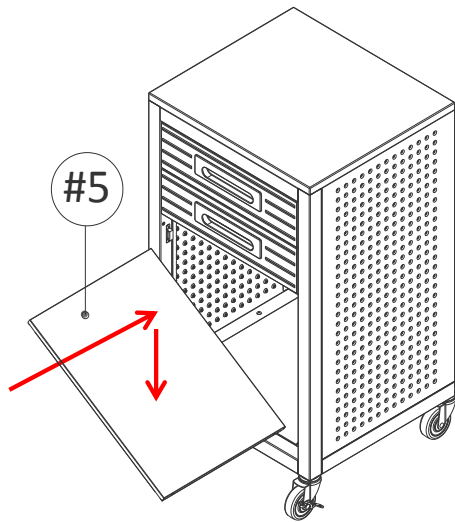
Install the Magnet (#23) on the Front Frame (#28) as the left photo shows, use 4 pcs Screw A (#14) to tighten.



# UltraHD® 2-Drawer Storage Cabinet (Model No. 20213)

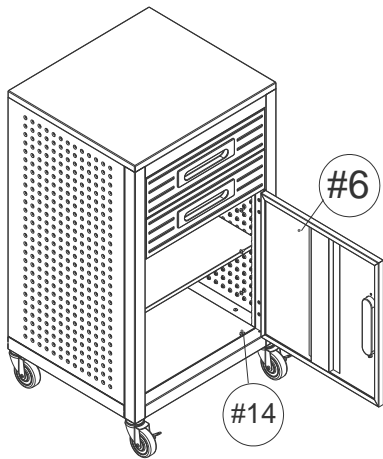


\*NOTE: We recommend using TWO people to assemble the cabinet.



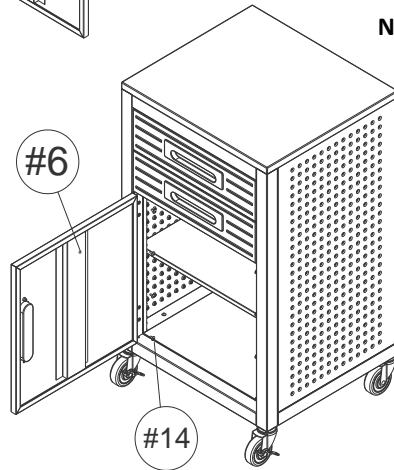
## Step 9: Install the Middle Shelf (#5)

Place the Middle Shelf (#5) in the unit at the desired height and ensure that all four corners are secured on the hooks on the front and back frame.

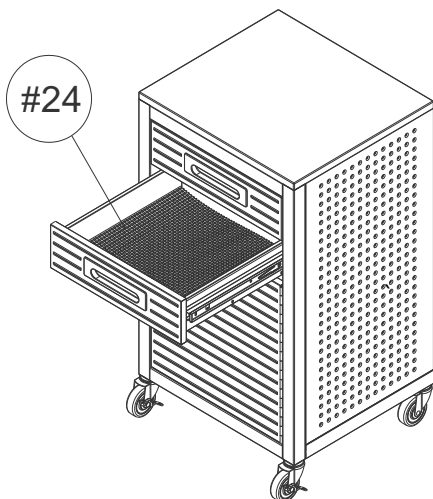


## Step 10: Install Door Panel (#6)

Attached the Door Panel (#6) to the Front Frame (#28) as the left photo show, use 4 pcs Screw A (#14) to tighten. The door could be left or right side assembled as your desire.



**Note:** 1. The OB hole on the door is able to adjust the tolerance of the door.  
2. The door panel can be installed on the left or right side of the door frame

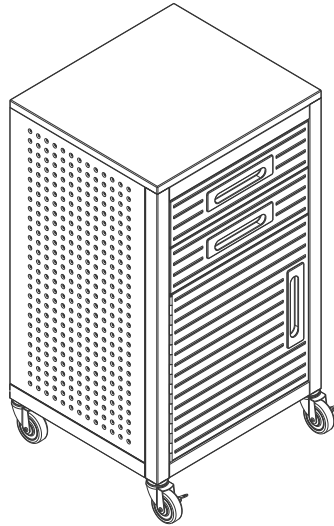
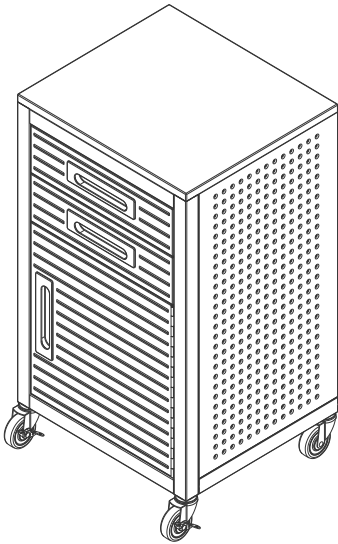


## Step 11: Place the Drawer Mat (#24) into the Drawer

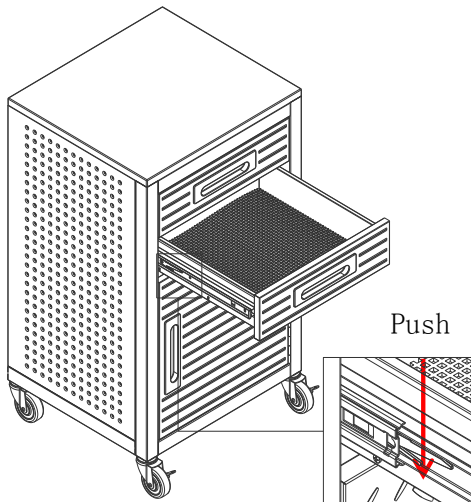
# UltraHD® 2-Drawer Storage Cabinet (Model No. 20213)



\*NOTE: We recommend using TWO people to assemble the cabinet.

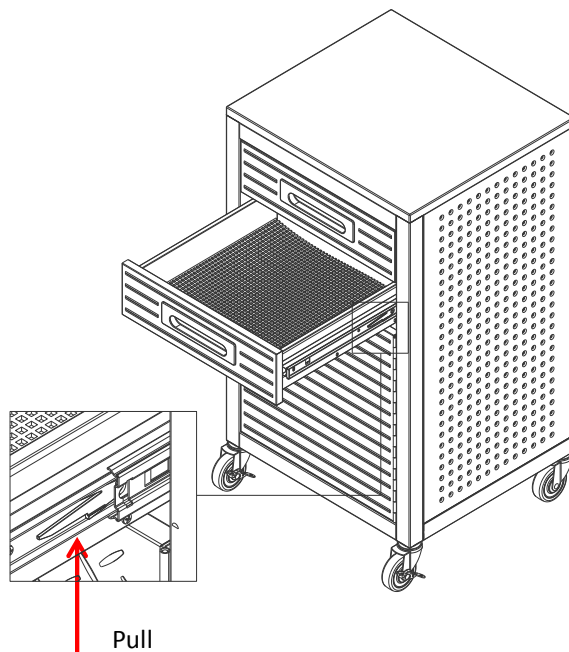


How to pull the drawer out of the unit?



1). To pull the drawers out of the unit, pull the black plastic clip on the right side of the drawer up, then push on the black plastic clip on the left side of the drawer down. Now you can pull the drawer out.

2). You can also unscrew the 4pcs screws on the side of the drawer to make the whole drawer up.



## Stainless Steel Maintenance:

These parts have an UltraGuard® fingerprint resistant finish. Do not use traditional stainless steel cleaners on this unit. Lightly wipe off once a month with clean warm water and a soft cloth (preferably a micro fiber cloth). This is the safest formula to prevent new stains from appearing over time and manage unwanted fingerprints or grease marks. Remember to always wipe in the direction of the surface grain (NEVER ACROSS) and always use a lint-free cloth. Once the surface is clean, thoroughly wipe dry with a soft absorbent cloth.

## CONTACT INFORMATION

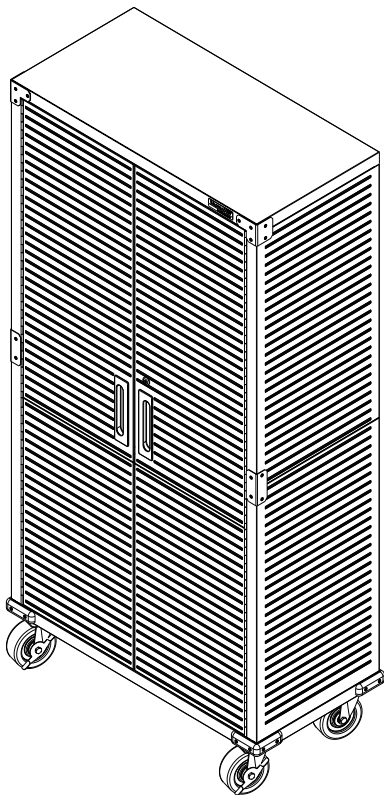
If you are missing any parts, have any questions, or need additional assistance in assembly, please contact our bilingual (English and Spanish) customer service department at:



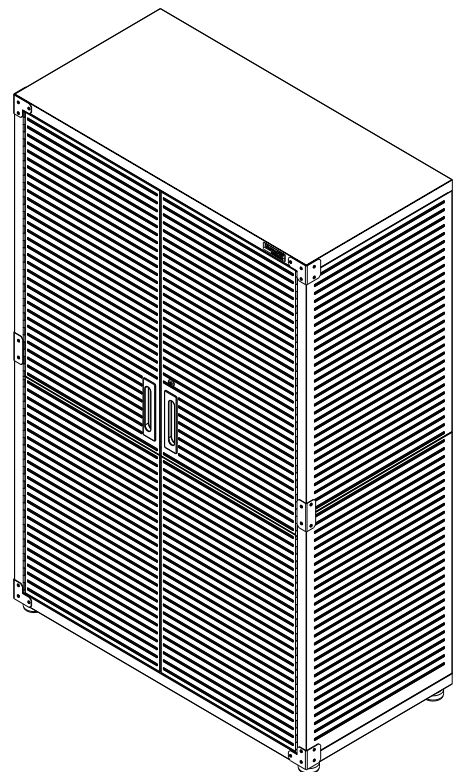
Seville Classics, Inc.  
19401 Harborgate Way Torrance, CA 90501 USA  
Telephone: (800) 323-5565 within USA  
Fax: (310) 533-3899  
Hours: 9:00am - 4:30pm (Pacific Standard Time)  
E-mail: [support@sevilleclassics.com](mailto:support@sevilleclassics.com)  
Website & Online Store: [www.sevilleclassics.com](http://www.sevilleclassics.com)

**\*\*\*Please visit our website or call and inquire about our additional UltraHD Line\*\*\***

## UltraHD® Line

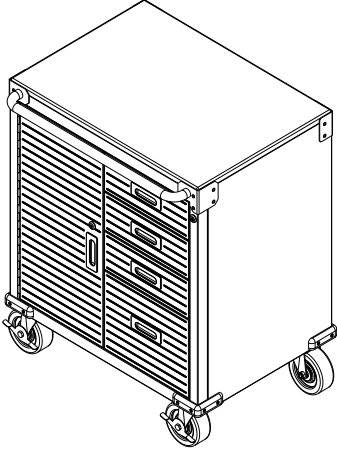


**UltraHD® Tall Storage Cabinet**  
Model No. 16236 (Granite)  
Model No. 20143 (Graphite)  
Model No. 20153 (Red)  
Model No. 20133 (White)

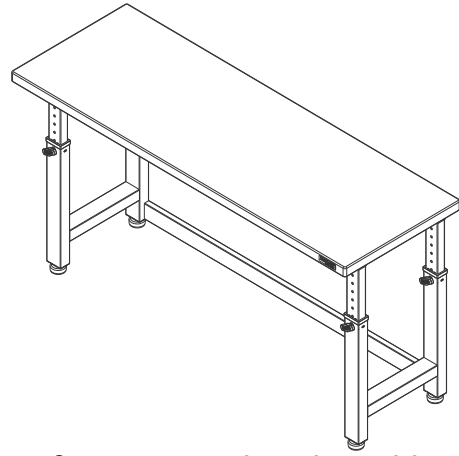


**UltraHD® Mega Storage Cabinet**  
Model No. 16238 (Granite)  
Model No. 20148 (Graphite)  
Model No. 20158 (Red)

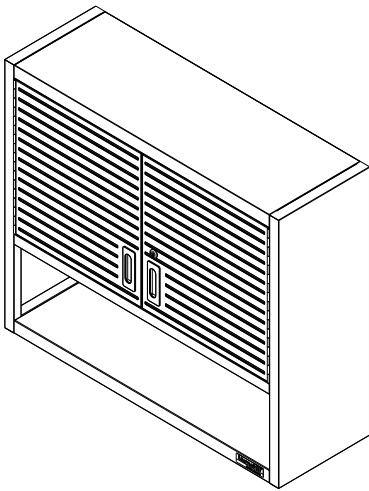
# UltraHD® Line



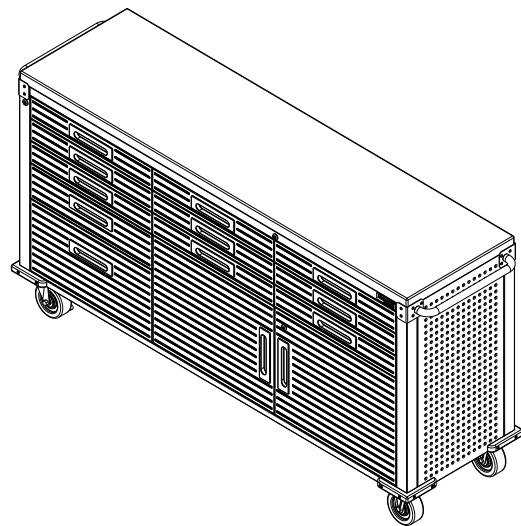
**UltraHD® 4-Drawer Rolling Cabinet**  
**Model No. 20205 (Granite)**



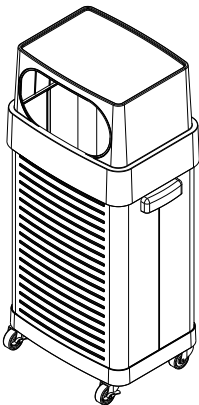
**UltraHD® 6-Foot Height Adjustable Workbench**  
**Model No. 20292 (Granite)**



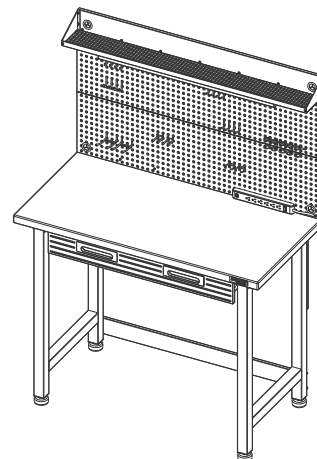
**UltraHD® Wall Cabinet with Open Shelf**  
**Model No. 20230 (Granite)**  
**Model No. 20140 (Graphite)**  
**Model No. 20150 (Red)**



**UltraHD® 2-Door Rolling Workbench**  
**Model No. 20262 (Granite)**  
**Model No. 20142 (Graphite)**  
**Model No. 20152 (Red)**



**UltraHD® Rolling Trash Bin**  
**Model No. 20215**



**UltraHD® Lighted Workcenter**  
**Model No. 20247 (Granite)**  
**Model No. 20246 (Graphite)**  
**Model No. 20157 (Red)**