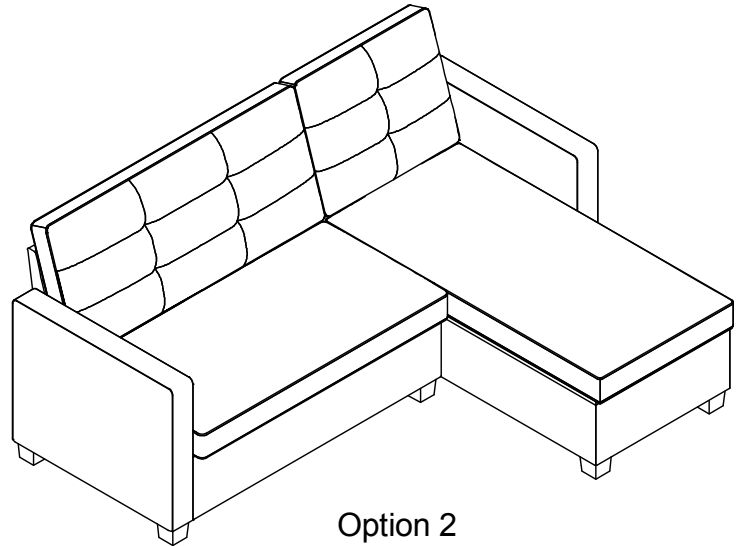
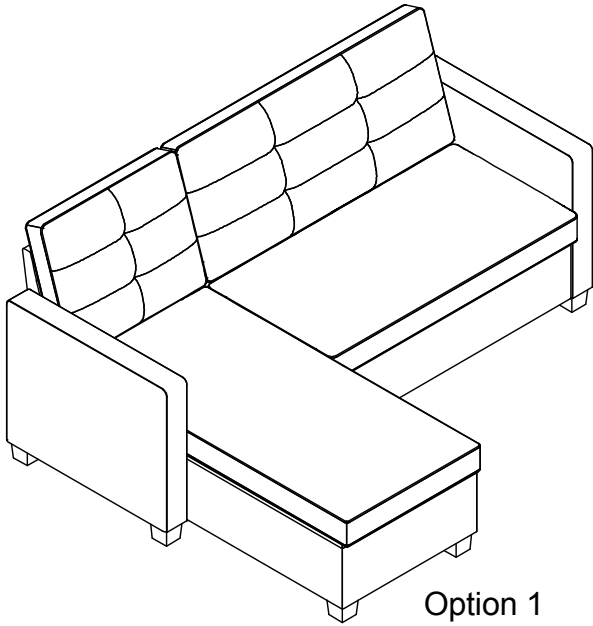


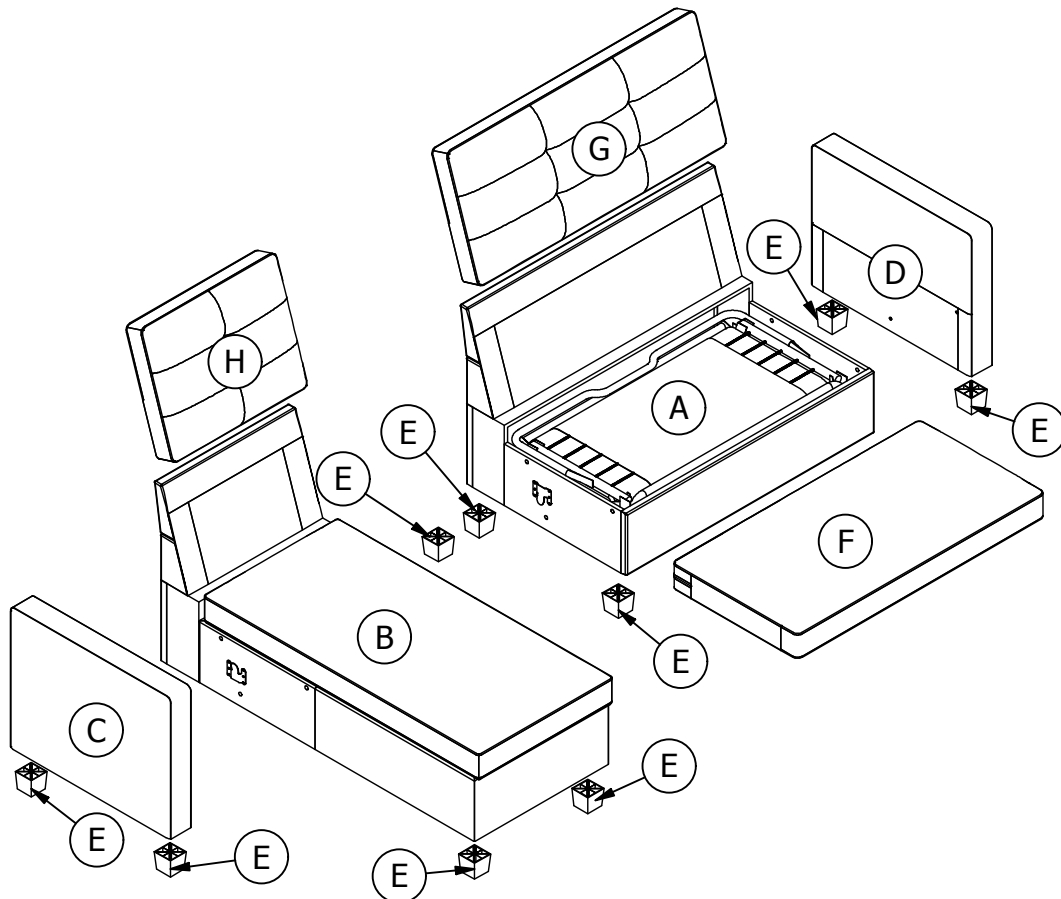
Assembly Instruction



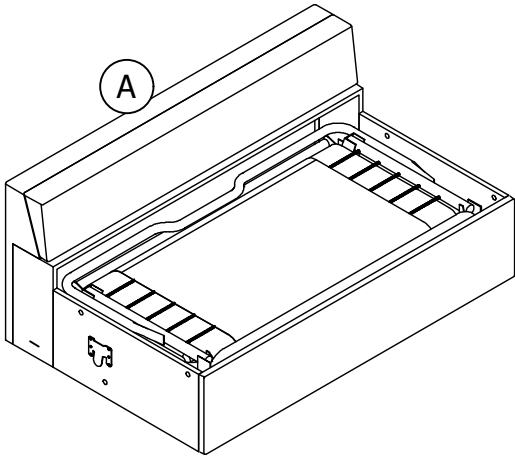
NOTE: There are 2 options for the chaise position. From Step 3 to Step 8, we will show you how to assemble Option 1.

If you intend to assemble Option 2, please start from Step 9 instead.

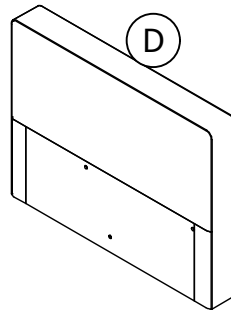
PARTS



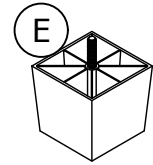
PARTS LIST (BOX 1)



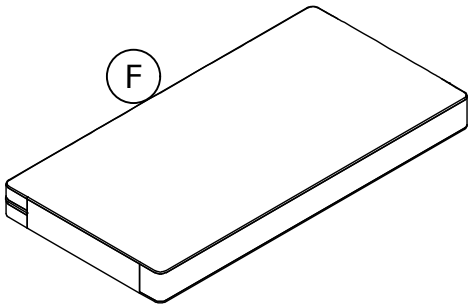
Loveseat X 1 PC



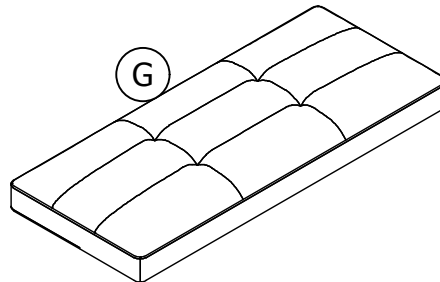
Arm X1 PC



Leg X 9 PCS

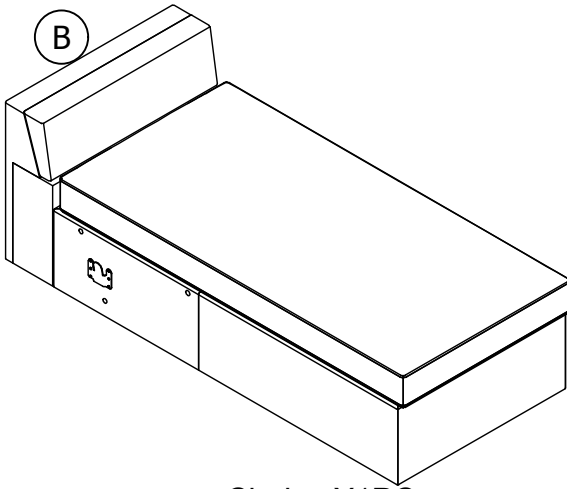


Seat Cushion X1 PC

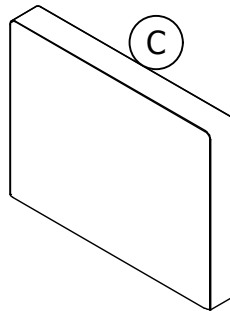


Back Cushion X1 PC

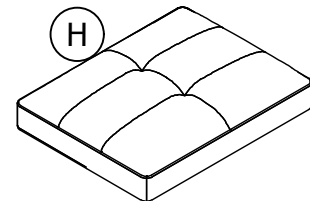
PARTS LIST (BOX 2)



Chaise X1PC

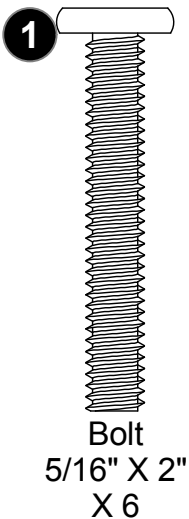


Arm X 1PC

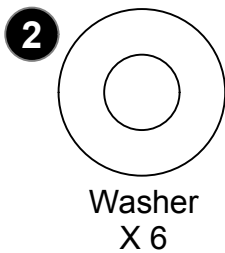


Back Cushion X 1PC

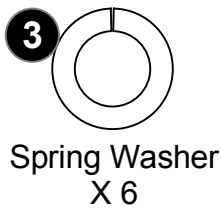
HARDWARE (in BOX 1)



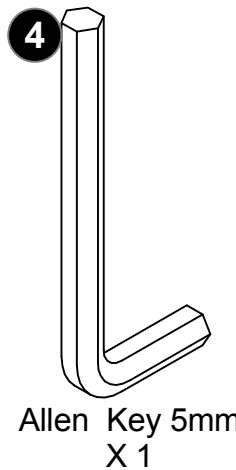
Bolt
5/16" X 2"
X 6



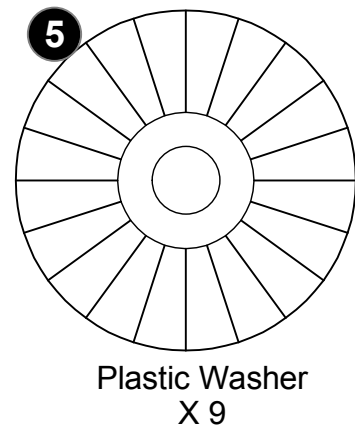
Washer
X 6



Spring Washer
X 6



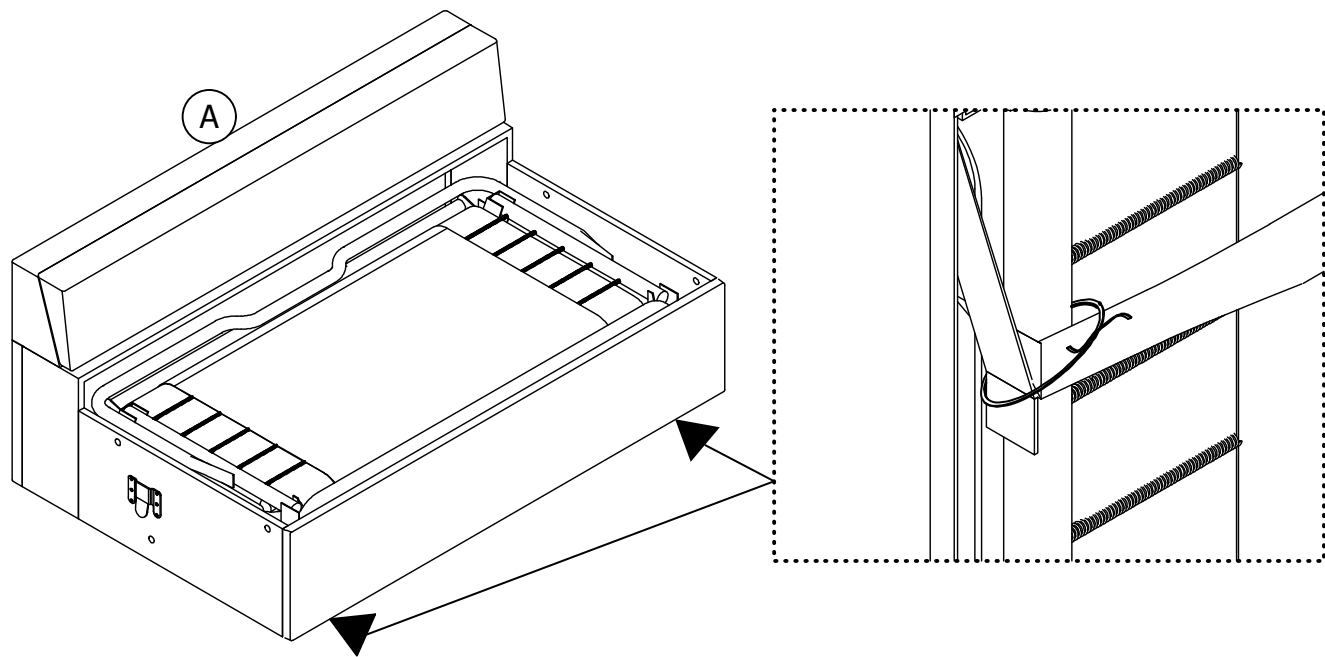
Allen Key 5mm
X 1



Plastic Washer
X 9

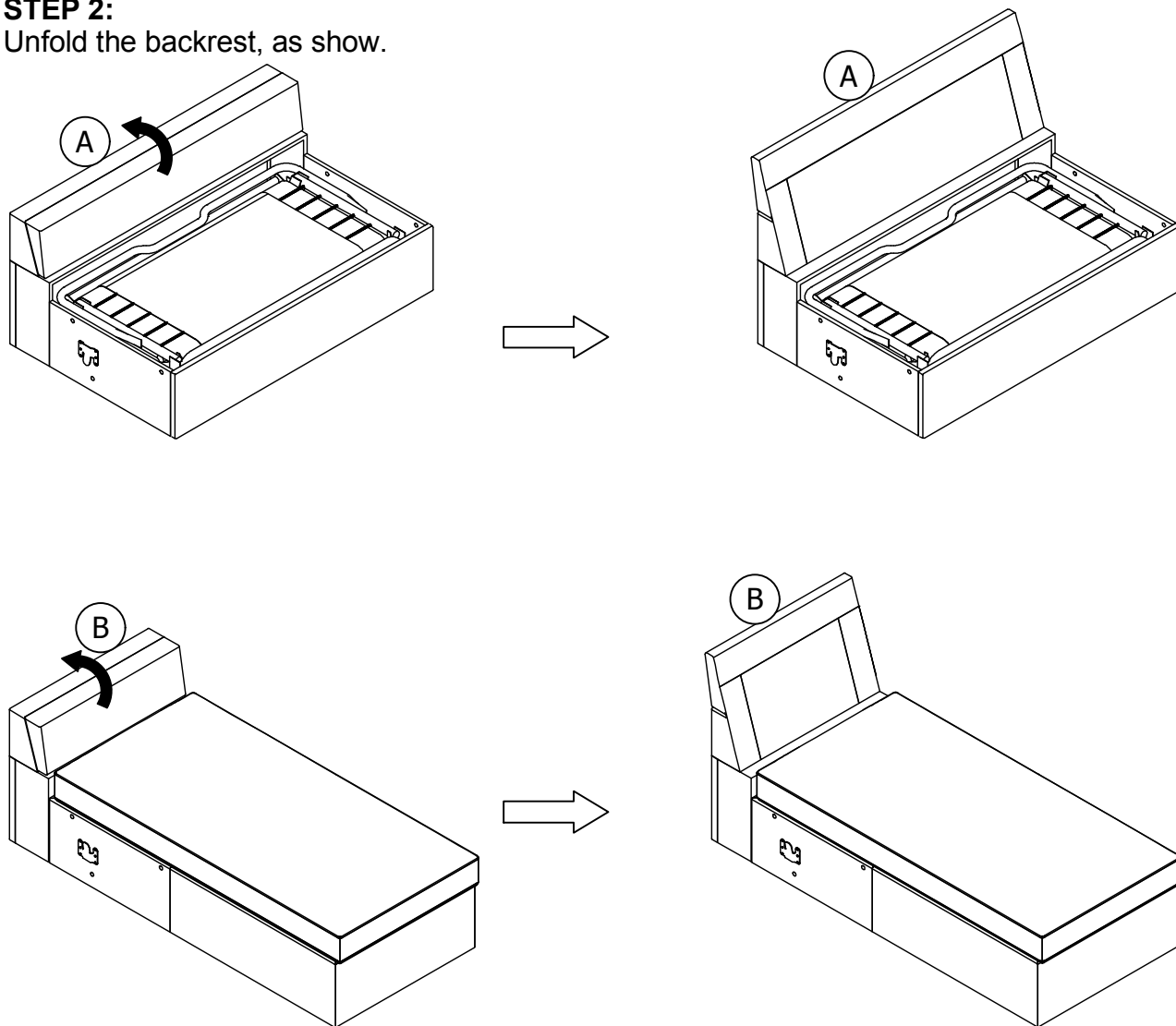
STEP 1:

The folding bed assembly has been secured with Tie-wraps for transportation purposes. DO NOT remove the tie-wraps on the front of bars of the assembly until you have finished Step 4 (or Step 10) of the assembly process.



STEP 2:

Unfold the backrest, as show.

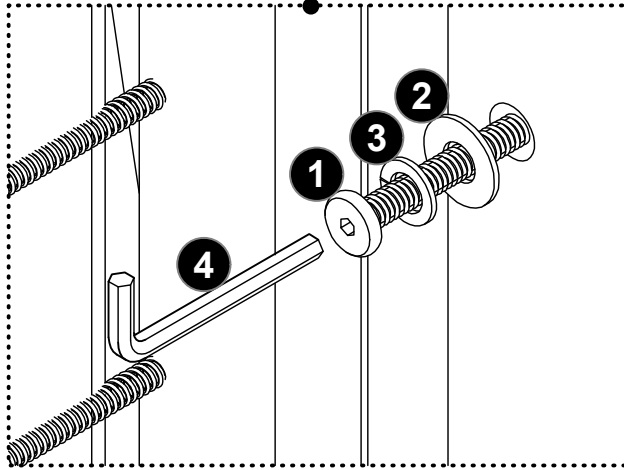
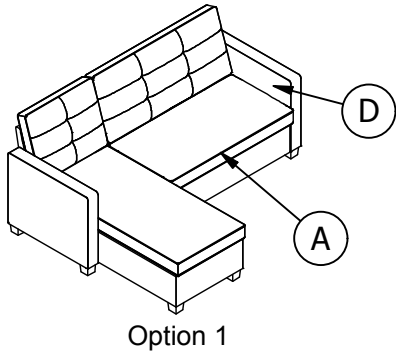
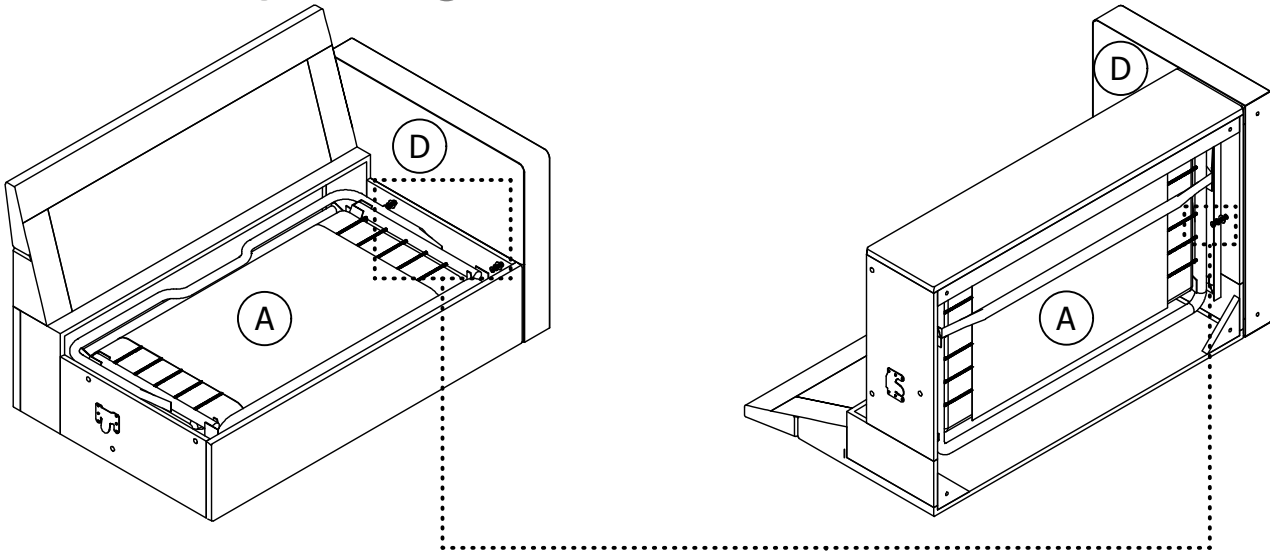


⚠ There are 2 options for the chaise position. From Step 3 to Step 8 we will show you how to assemble Option 1.

⚠ If you intend to assemble Option 2, please start from Step 9 instead.

STEP 3:

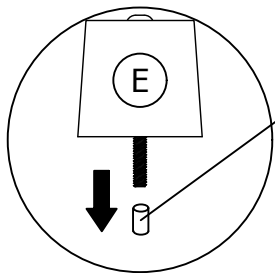
Attach **D** to **A** with **1**, **2**, and **3**, as shown.



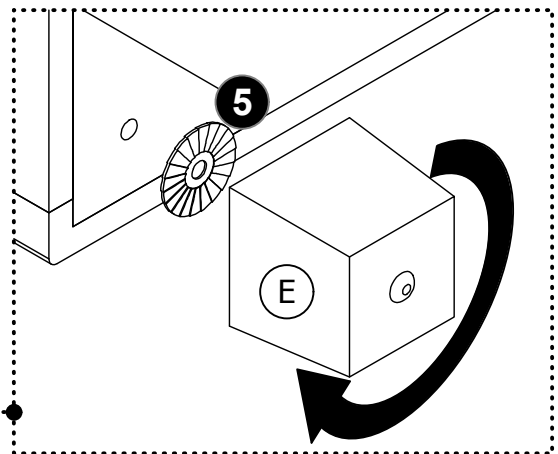
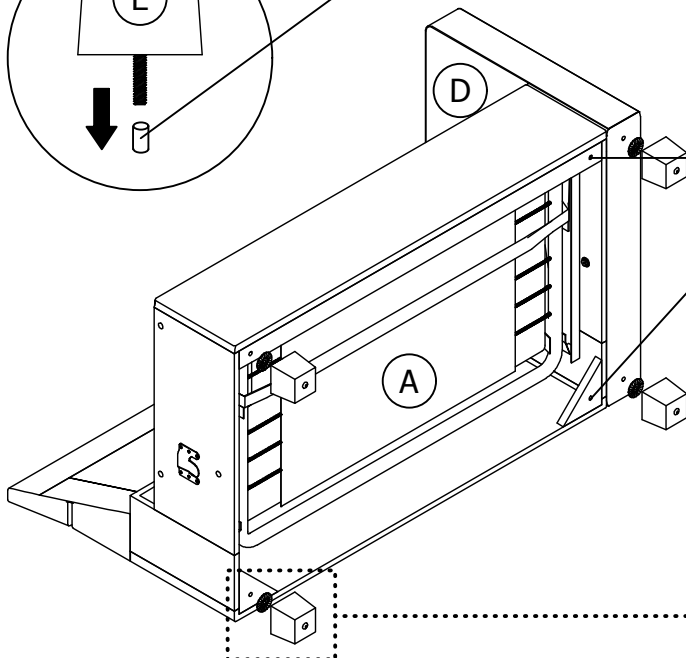
STEP 4:

Manually screw **E x 4** to **A** & **D** with **5**, as shown.

⚠ Please remove the protective cap on the tip of thread before assembling.

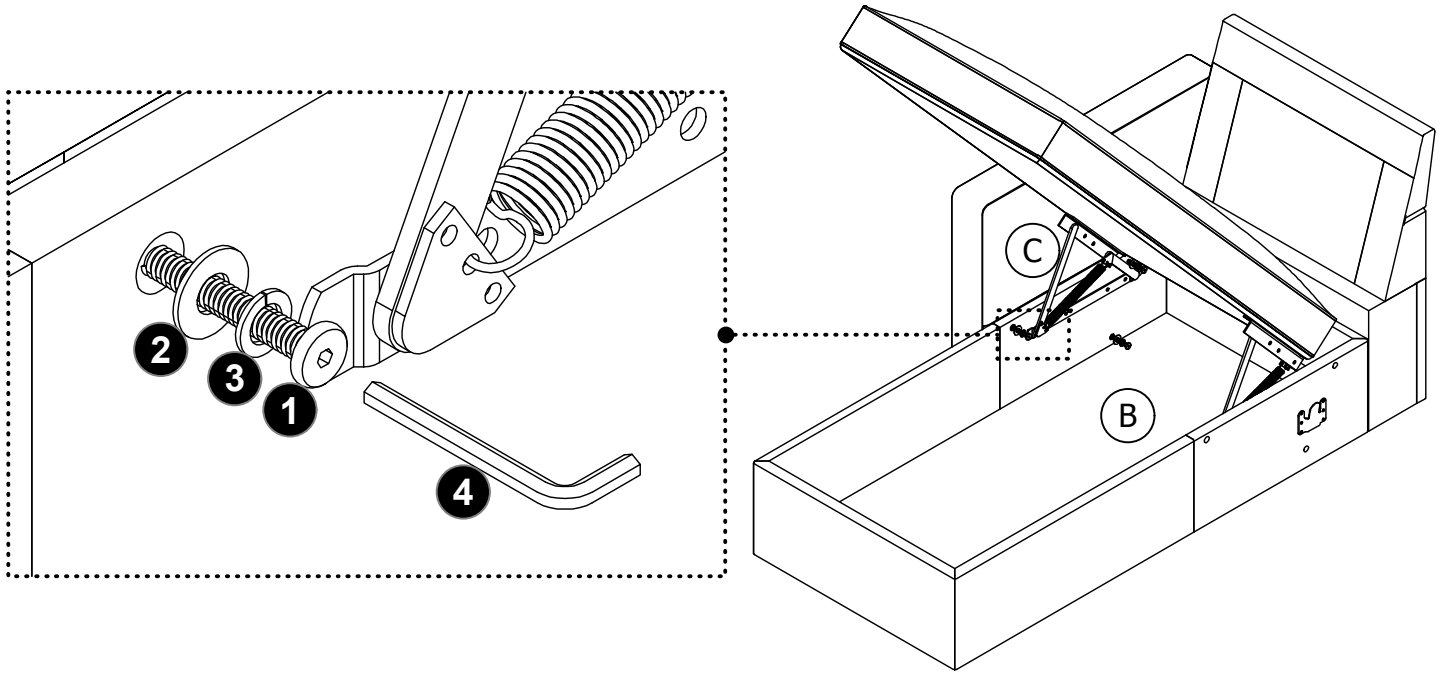


⚠ Note: DO NOT screw in these two holes.



STEP 5:

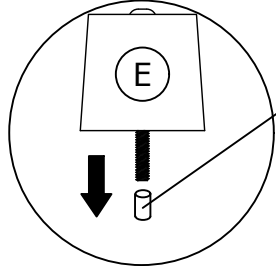
Lift up Chaise **B** and then attach **C** to **B** with **1**, **2**, **3**, as shown.



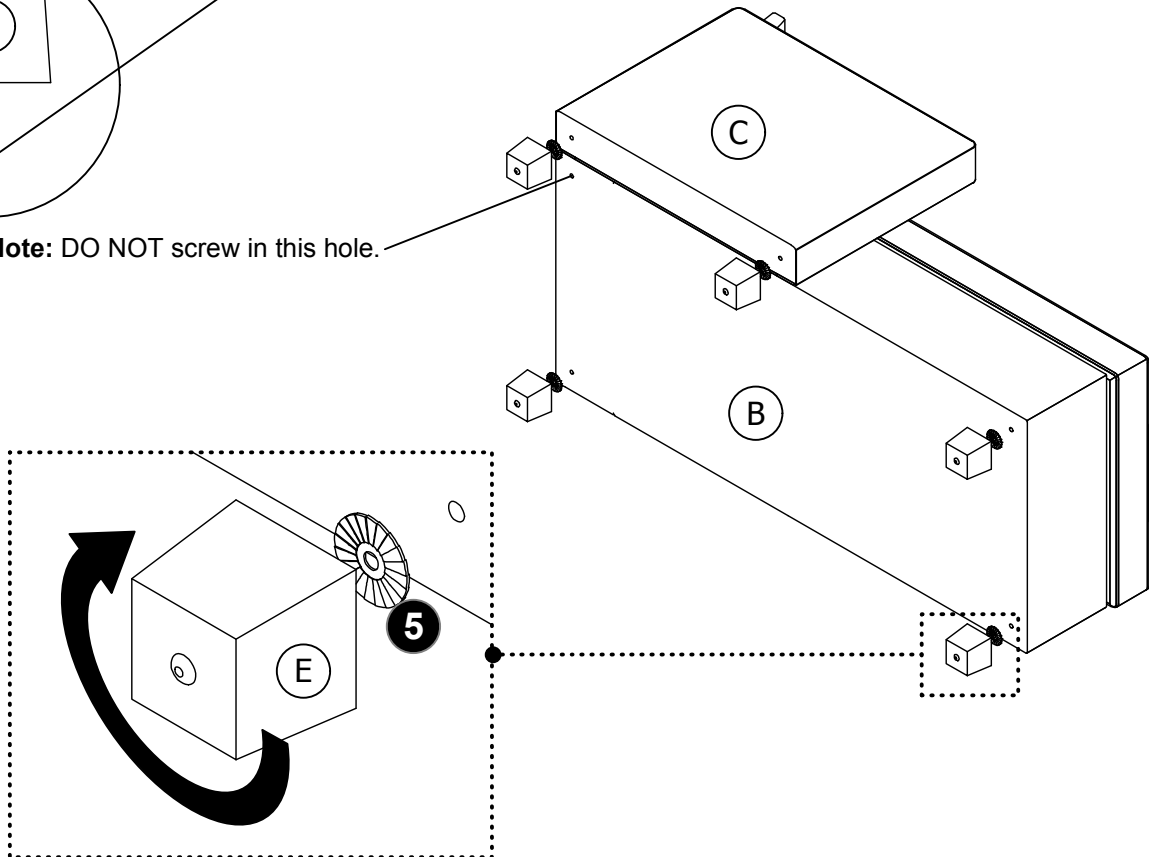
STEP 6:

Manually screw **E** x 5 to **B** & **C** with **5**, as shown.

⚠ Please remove the protective cap on the tip of thread before assembling.

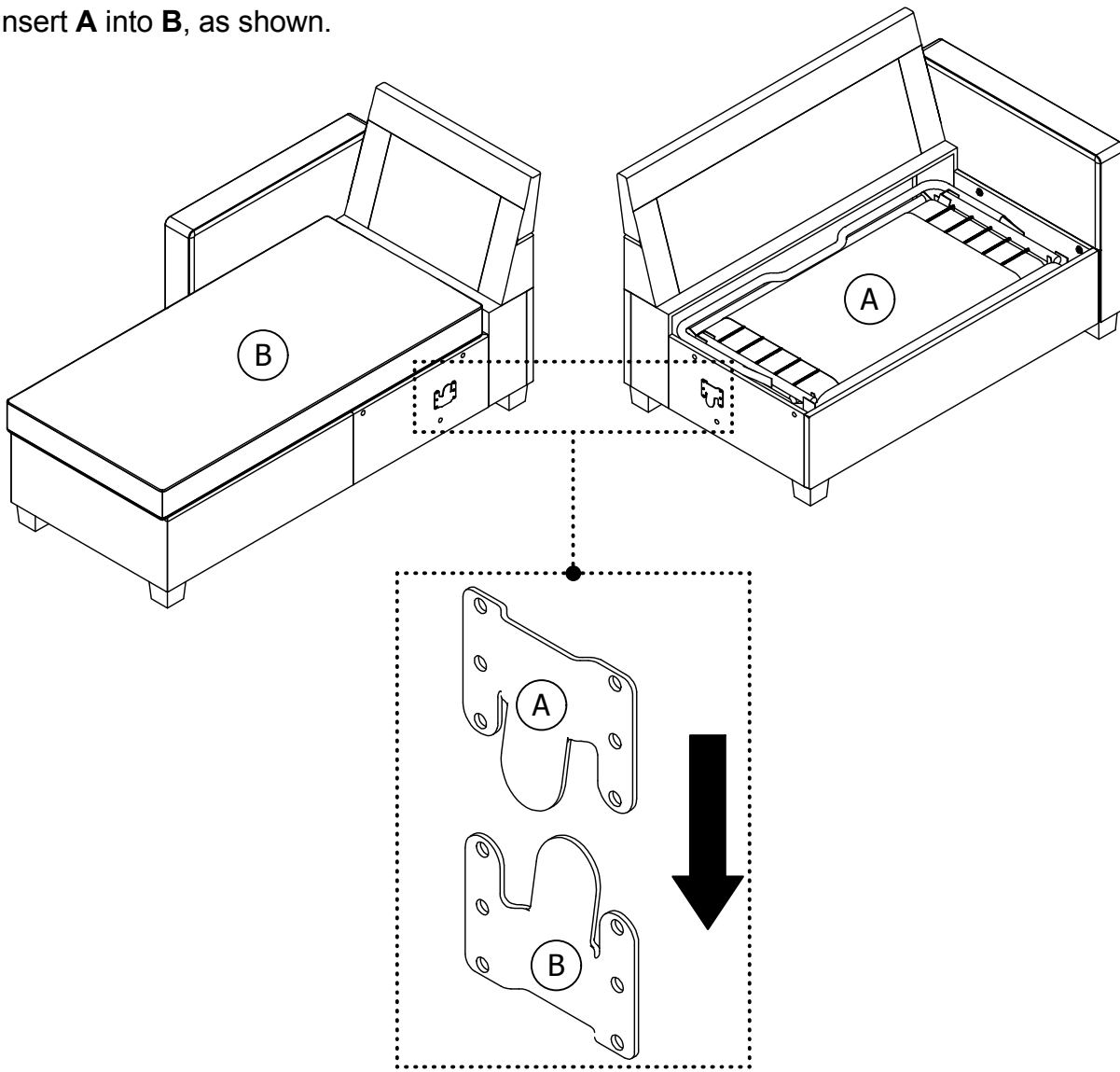


⚠ Note: DO NOT screw in this hole.



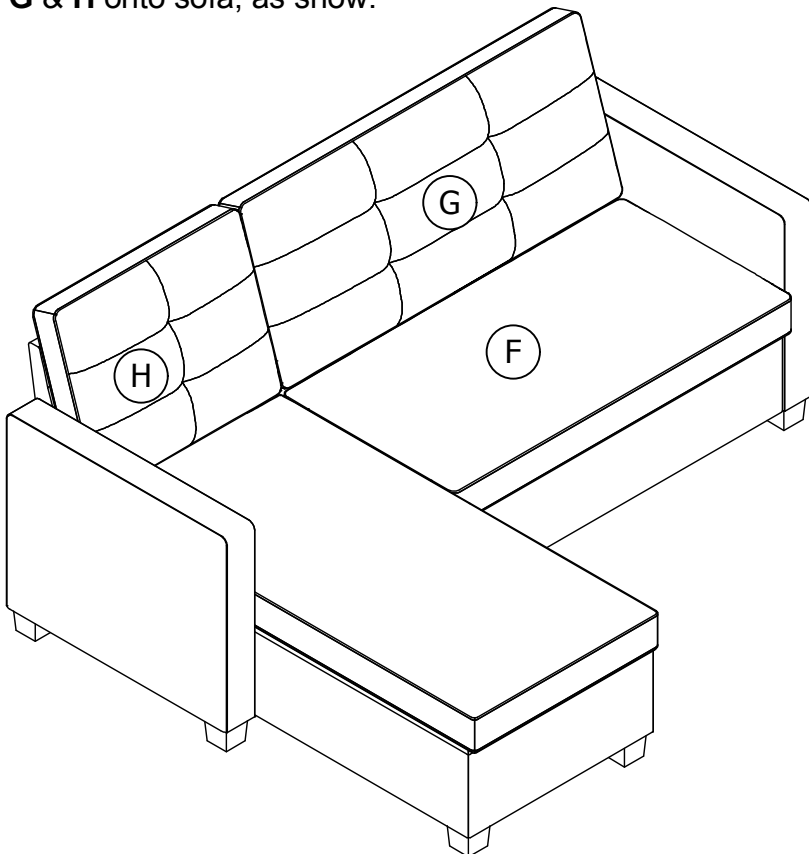
STEP 7:

Insert **A** into **B**, as shown.



STEP 8:

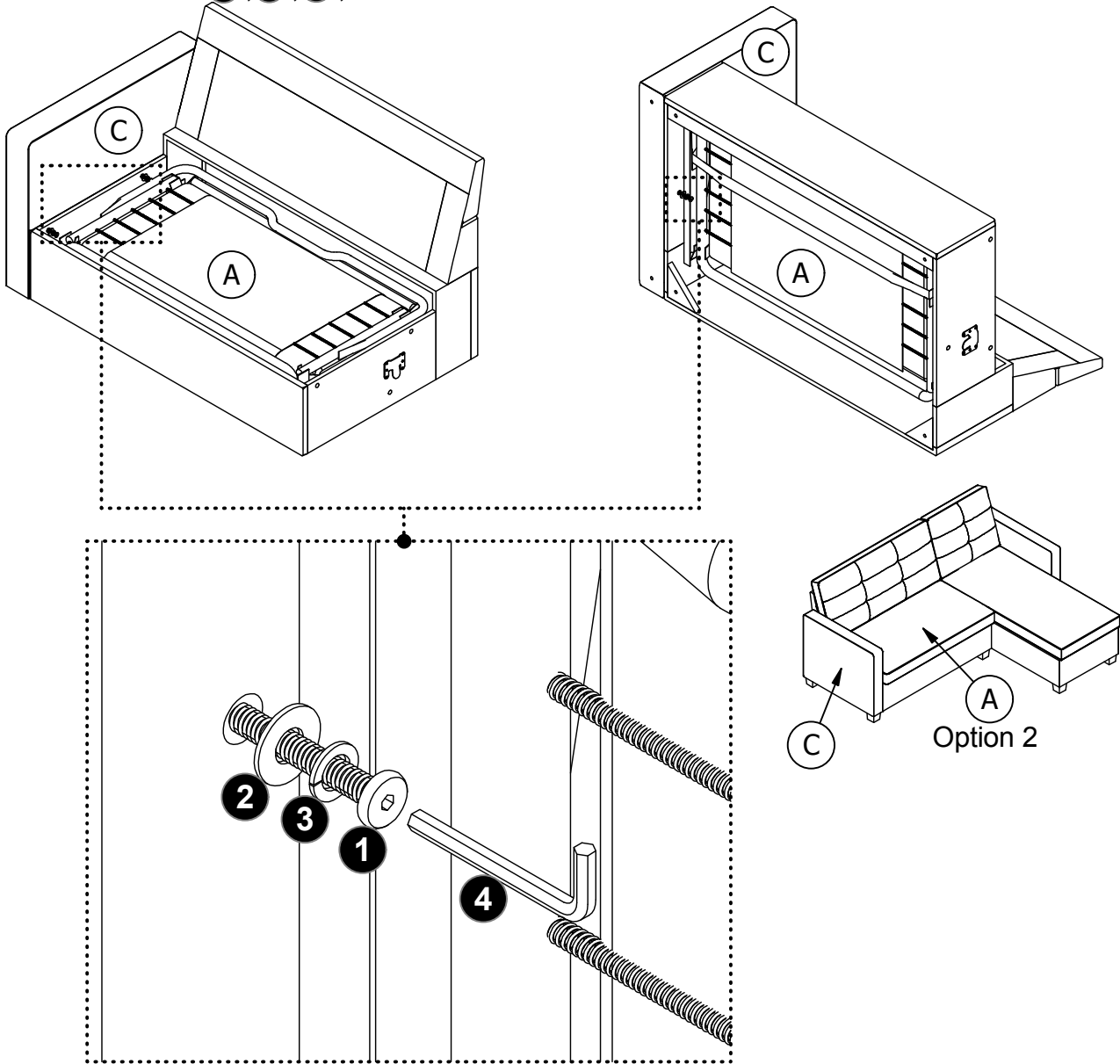
Put **F**, **G** & **H** onto sofa, as show.



⚠ Assembly for Option 2.

STEP 9:

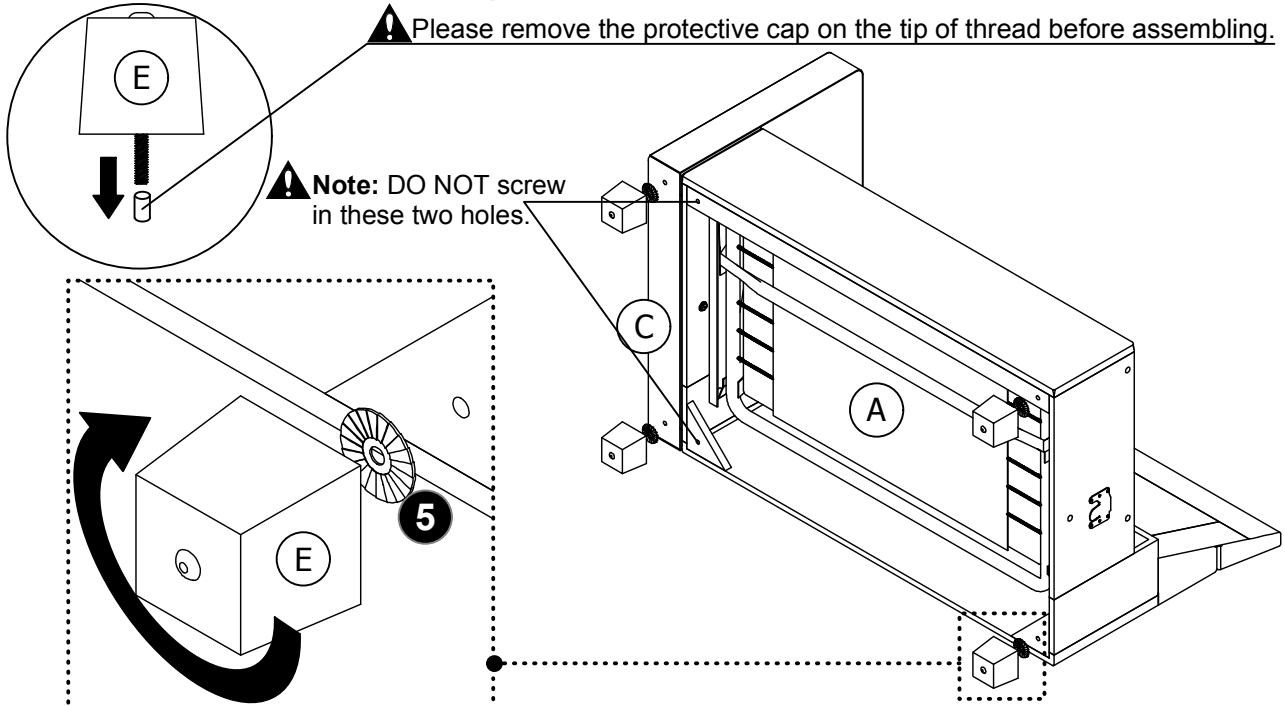
Attach **A** to **C** with **1**, **2**, **3**, as shown.



STEP 10:

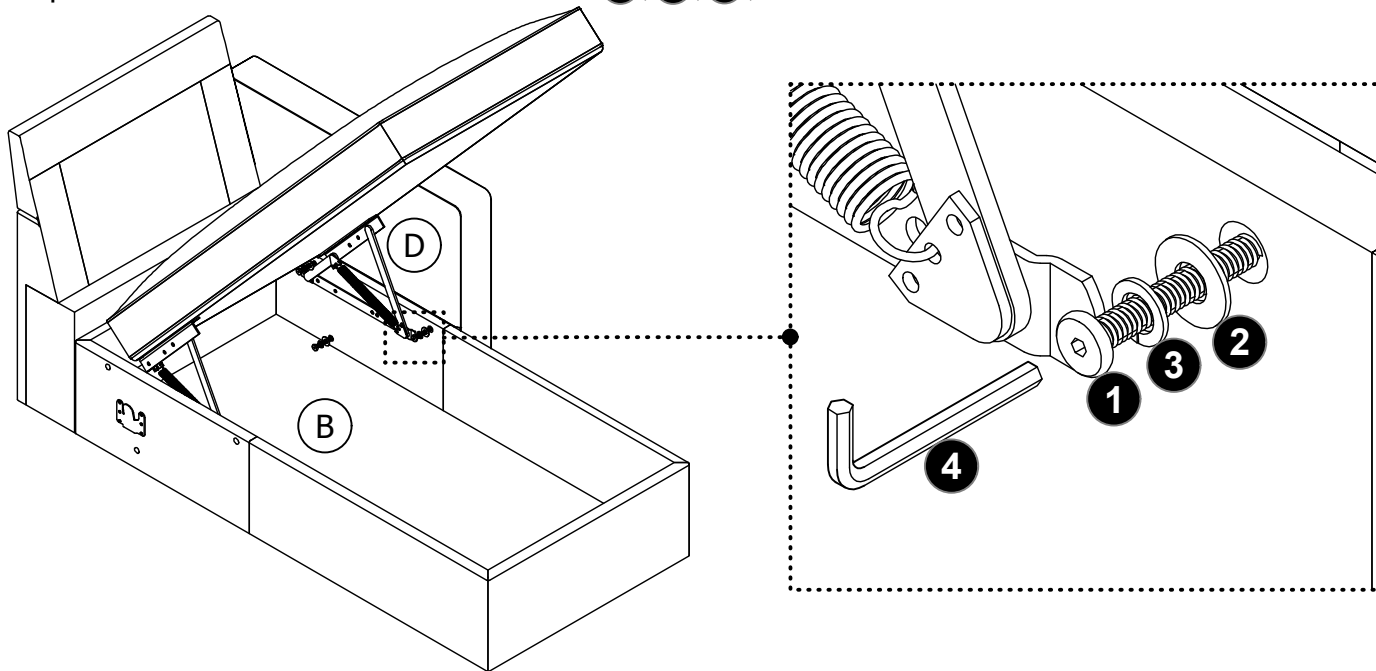
Manually screw **E** x 4 to **A** & **C** with **5**, as shown.

⚠ Please remove the protective cap on the tip of thread before assembling.



STEP 11:

Lift up Chaise **B** and then attach **D** to **B** with **1**, **2**, **3**, as shown.

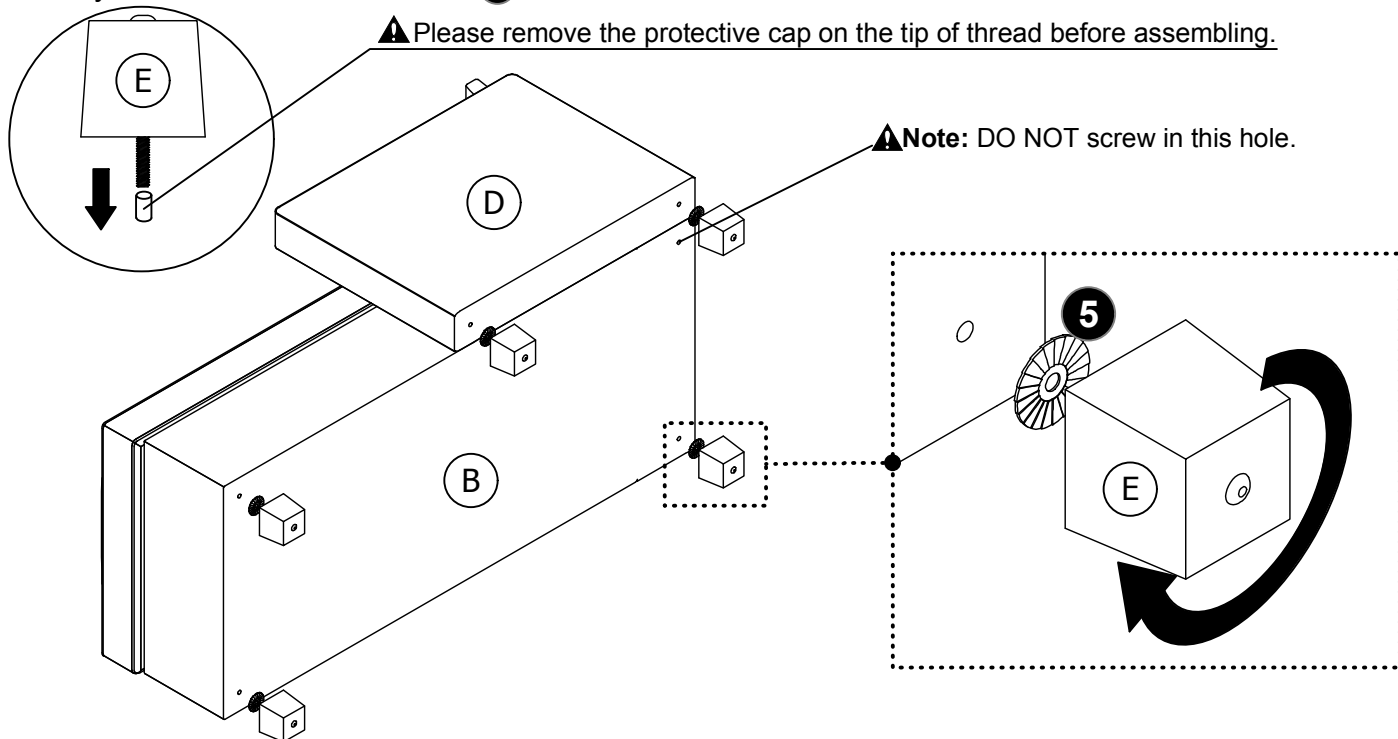


STEP 12:

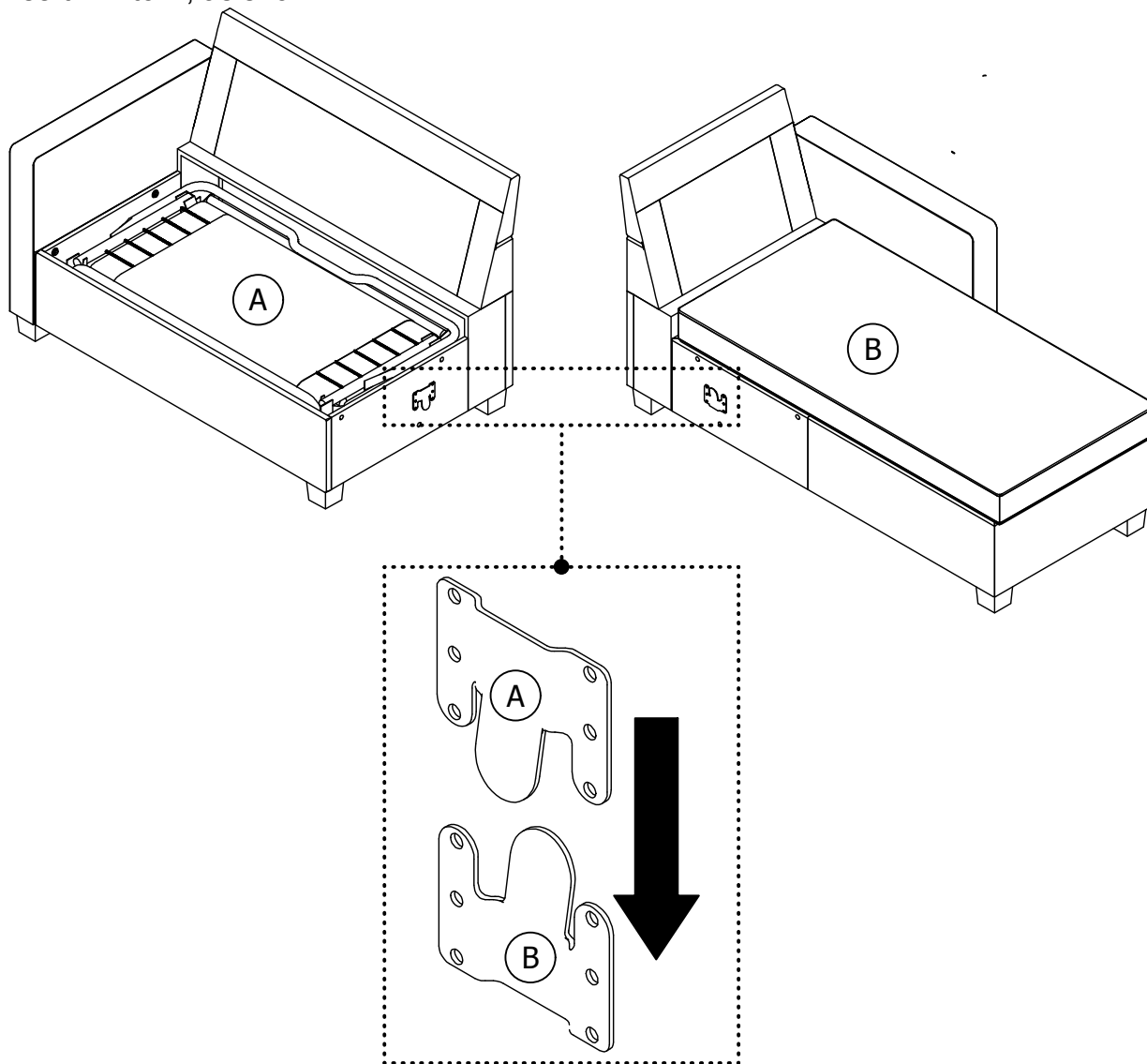
Manually screw **E** x 5 to **B** & **D** with **5**, as shown.

▲ Please remove the protective cap on the tip of thread before assembling.

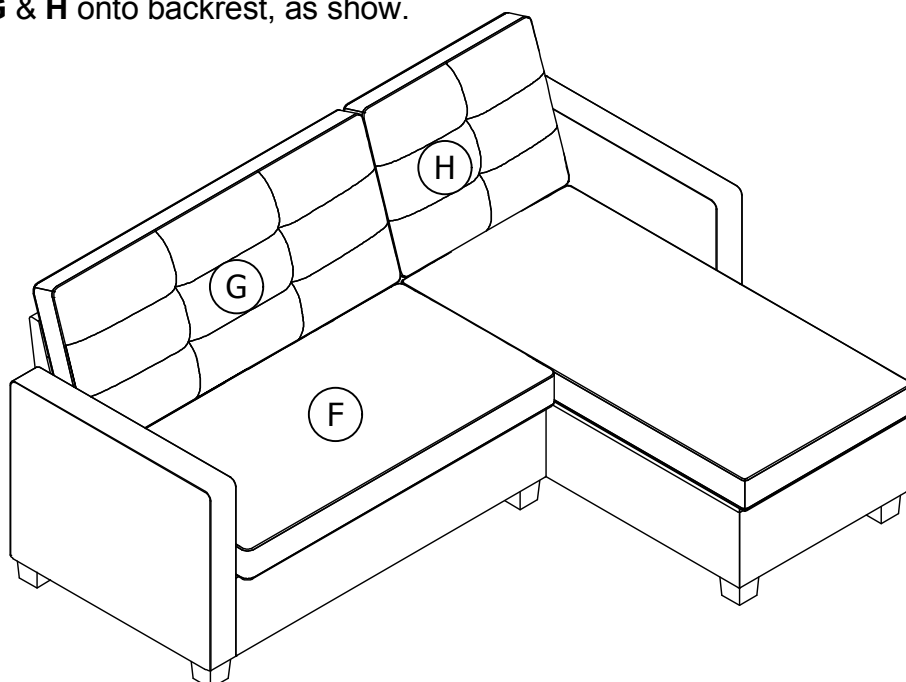
▲ Note: DO NOT screw in this hole.



STEP 13:
Insert **A** into **B**, as shown.




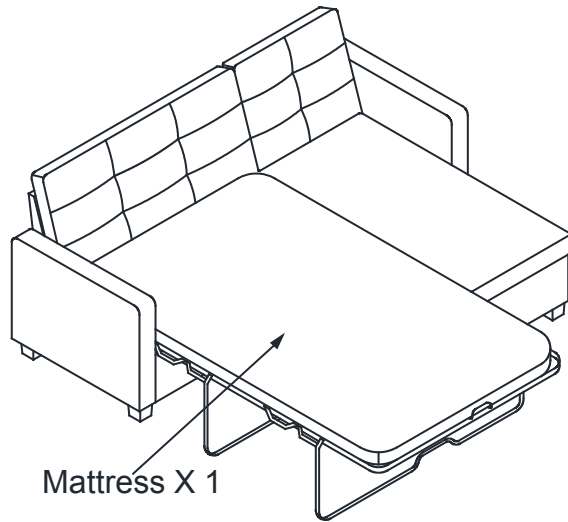
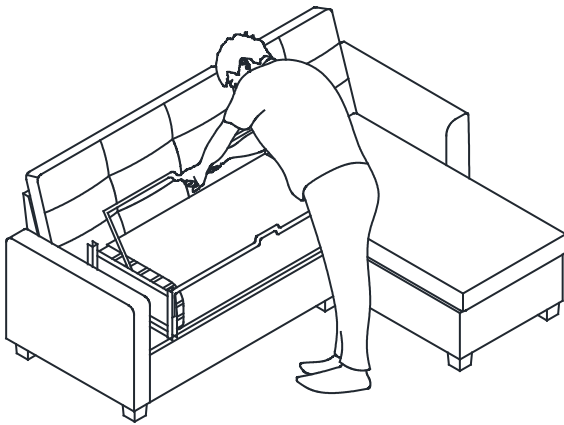
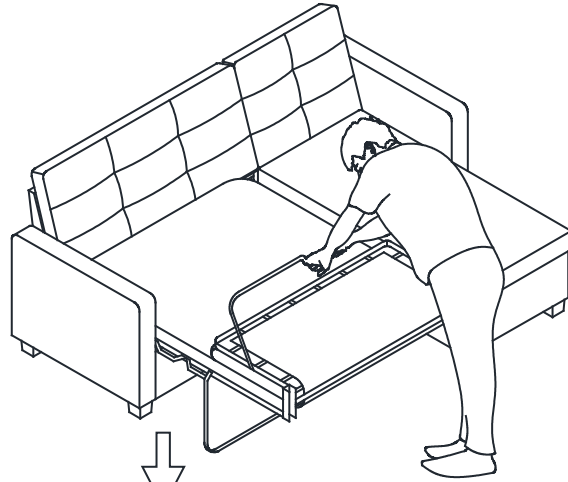
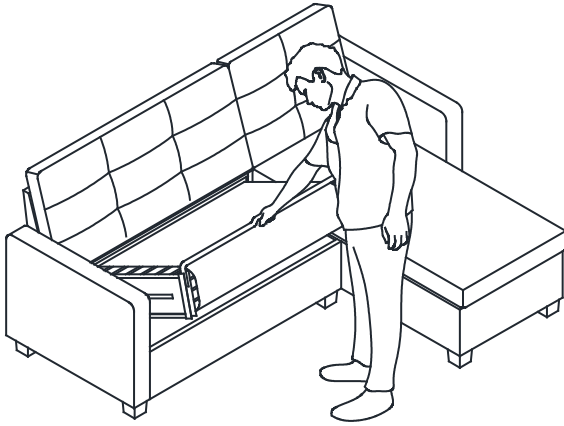
STEP 14:
Put **F**, **G** & **H** onto backrest, as show.



Helpful Hints

- Move your new furniture carefully, with two people lifting and carrying the unit to its new location.
- Your furniture can be disassembled and reassembled to move.
- Clean the product with a soft damp cloth. **DO NOT** use harsh chemicals or abrasive cleaners.
- Some parts have been pre-assembled for this item. They are illustrated on this page and available for replacement.

 Before opening for the first time, please cut the Tie-wraps located underneath the seat.



DO NOT fold while linens or cushions are on the mattress.



DO NOT jump on bed.
DO NOT allow children to open or close the sofa bed.

DO NOT allow children to play underneath sofa when in the bed position.