



Creative Cedar Designs

# Octagonal Wooden Sandbox Assembly Instructions

MODEL # 7120

## Parts Identification:

8X "A" Panels

12X "B" Panels

4X "C" Panels

4X "D" Panels

36X 1 1/2" Screws

1X Weed Suppressant Lining  
(Ground Cover)

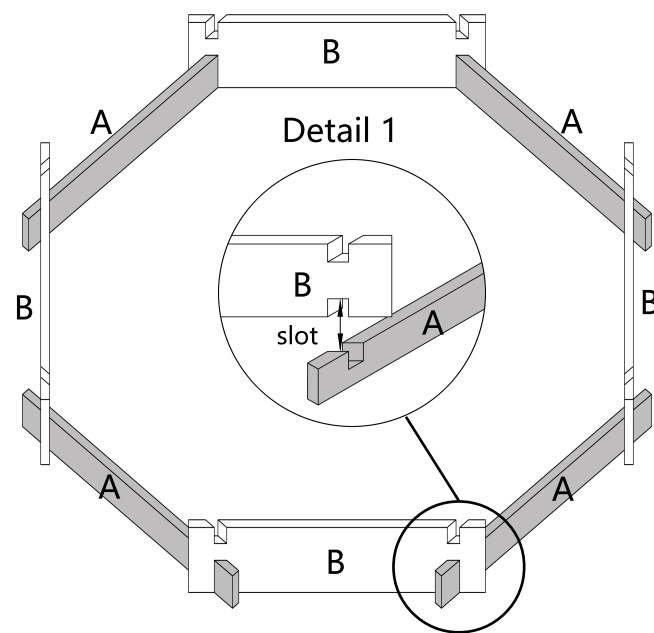
1x Polyethelene Top-Cover

## Tools Required:

Phillips Screwdriver

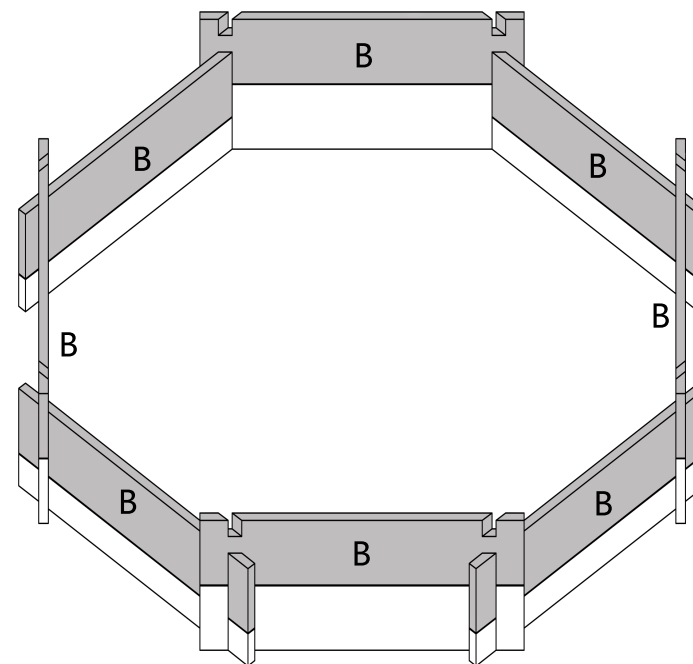
### STEP:1

Slot four "B" panels into four "A" panels by sliding cut-outs into one another (Detail 1) and push down to secure firmly.



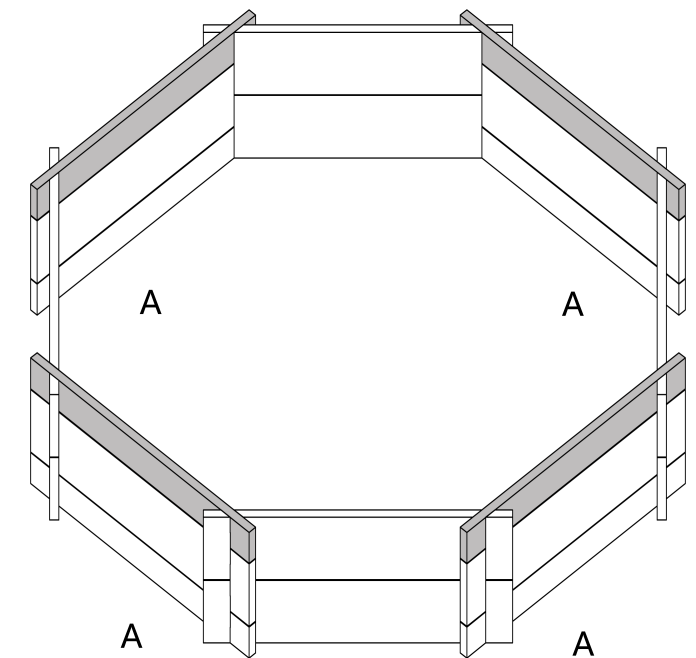
### STEP:2

Continue building sides of sand pit using the eight "B" panels as shown.



### STEP:3

To complete the sides of the sandpit,slot the last four "A" panels into the four "B" panels as shown.



### STEP:4

Four support plate "D" with 1 1/2" Screws respectively fixed Octagonal Wooden Sand around the Pit

IF YOU HAVE ANY QUESTIONS OR ARE  
MISSING A PART, PLEASE VISIT:  
[www.creativecedardesigns.com](http://www.creativecedardesigns.com)

Customer Service  
1-888-363-4967  
[custservice@creativecedardesigns.com](mailto:custservice@creativecedardesigns.com)

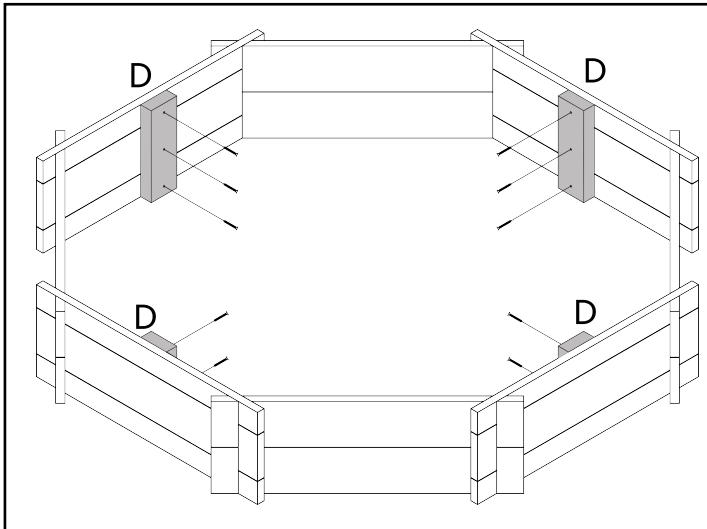


# Octagonal Wooden Sandbox

## Assembly Instructions

Creative Cedar Designs

MODEL # 7120



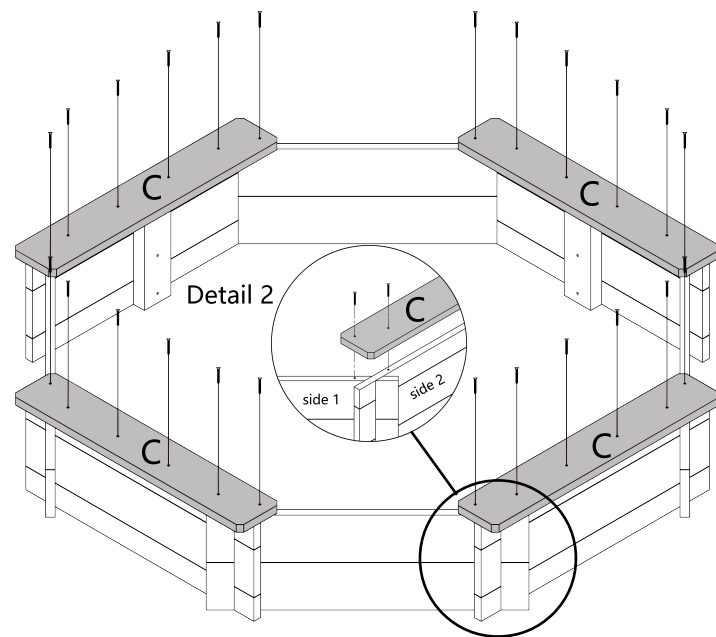
Warning: :  
Ensure screw heads are level with top surface of part C; Protrusion & Sharp Edge Hazard.

**STEP: 6**

Place sandpit on top of ground-cover on level ground. Trim excess to fit sandpit. Fill with sand.

**STEP: 5**

Screw seats "C" to sides through pre-drilled holes (Detail 2) using four 1 1/2" screws per seat.



WARNING: THIS PRODUCT IS FOR ADULT ASSEMBLY ONLY.

PLEASE RETAIN INSTRUCTIONS FOR FUTURE REFERENCE

FOR FAMILY OUTDOOR DOMESTIC USE ONLY

SUITABLE FOR AGE 18 MONTHS AND OVER.  
ADULT SUPERVISION RECOMMENDED AT ALL TIMES.

**Keep your sandpit safe for the children**

1. Always cover the sandpit when not in use, to prevent unwanted animals from playing in the sand.
2. Before covering your sandpit, place a large object in the center of the sand to prop up the cover. This will allow water to drain off the cover, and prevent any rain water from "pooling" in the center of the sandpit. This must be checked regularly.
3. Should any water still accumulate and form a pool, please ensure that this water is removed as standing water can pose a danger to children.
4. Regularly check sand for impurities and any other sharp objects that may cause harm to children.
5. Use washed playsand suitable for use in children's sandpits.

**Limited Warranty**

Our customer service department will review the claim and make contact with the customer by email or by phone. The customer will only pay for shipping and handling to and from factory if warranty is approved.

**1-888-363-4967**

**Monday thru Friday: 9am to 4pm Eastern Standard Time**

Creative Cedar Designs Inc. insures to the original owner of our product, that the components of our set are free from defect in materials and will be warranted for one year from the date of purchase. All non-wood components will carry a one-year warranty only.

All defective parts that are discovered and reported in the first thirty days after purchase will be replaced at no charge to the registered customer. After thirty days of purchase shipping and handling charges for replacement warranty parts will be passed on to the consumer. All returned goods must be approved by our customer service department. Our customer service department can be reached at **1-888-363-4967.**

IF YOU HAVE ANY QUESTIONS OR ARE MISSING A PART, PLEASE VISIT:  
[www.creativecedardesigns.com](http://www.creativecedardesigns.com)

Customer Service  
1-888-363-4967  
[custservice@creativecedardesigns.com](mailto:custservice@creativecedardesigns.com)