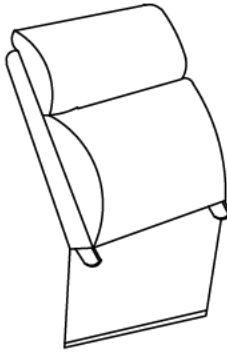


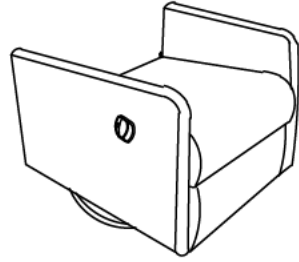
# ASSEMBLY INSTRUCTIONS

A

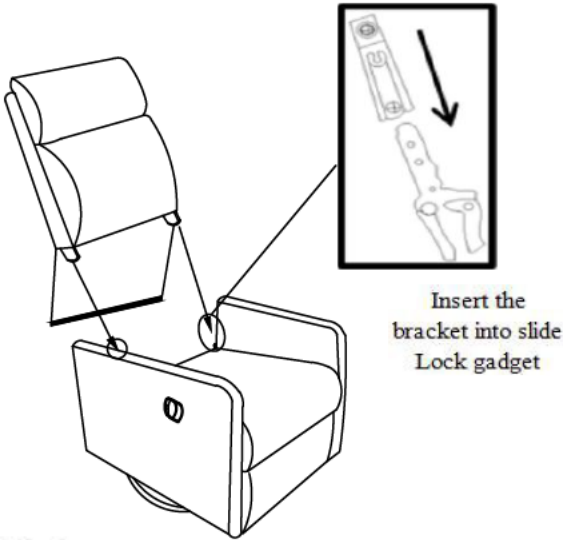


1PC  
Backrest

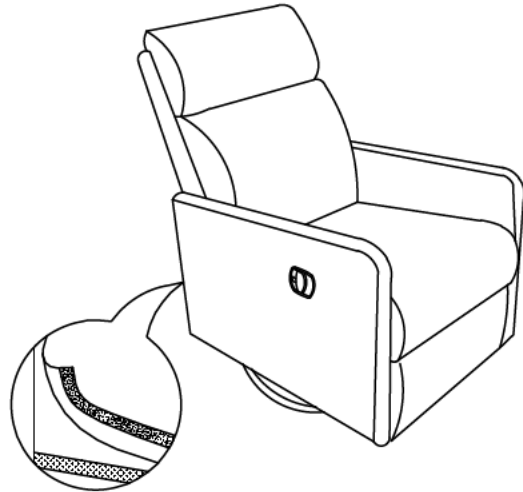
B



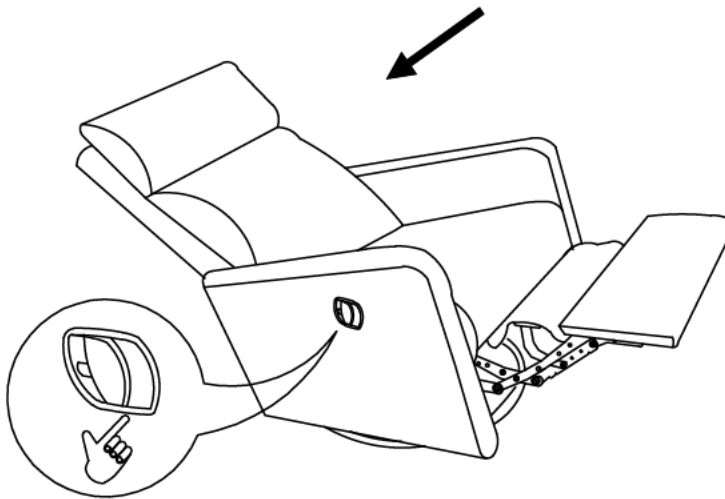
1PC  
Seat



STEP 1.



STEP 2.



STEP 3.