

# INSTALLATION INSTRUCTIONS


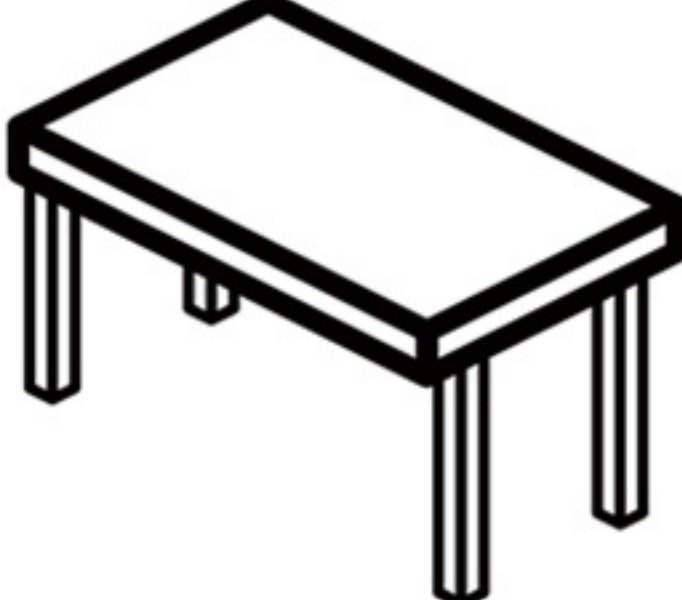



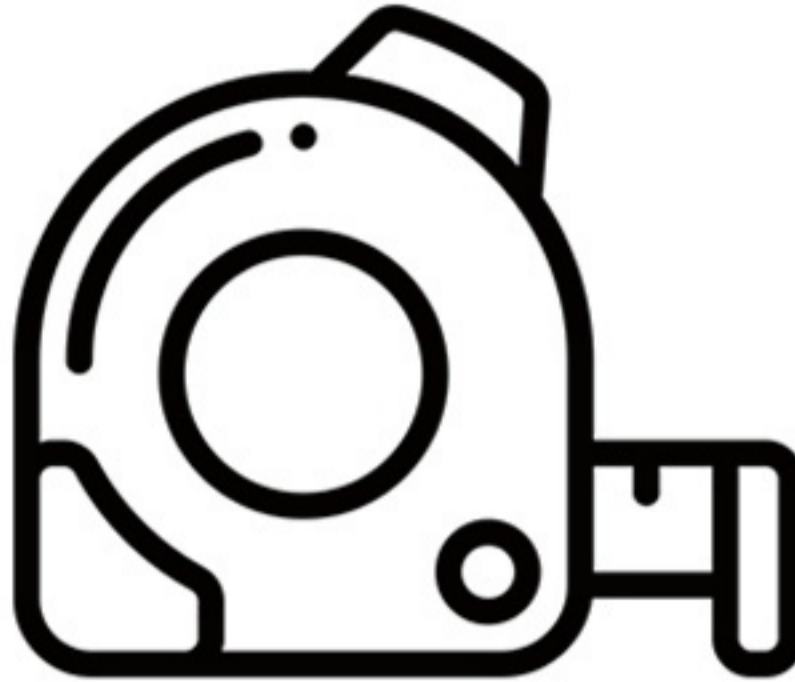
## 6x8 ft Storage Shed



After opening the package, if you notice a slight deformation in the wall panels, there's no need for concern. Our material is flexible and can be manually bent back into place.

**Recommended to wear gloves to avoid scratches.**  
Please read the instructions COMPLETELY before assembly.

# REQUIRED TOOLS








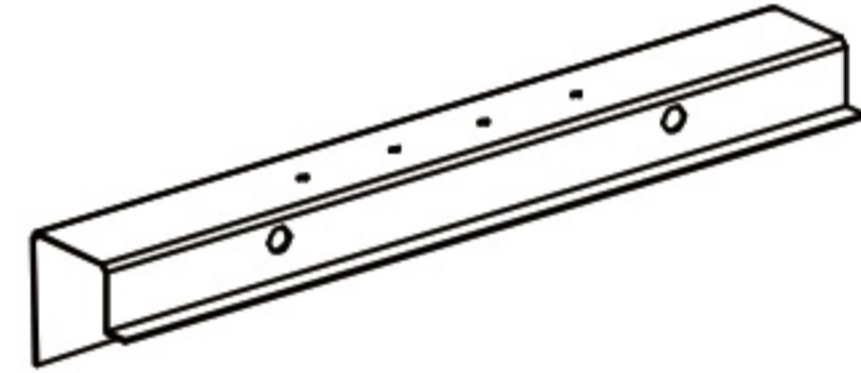




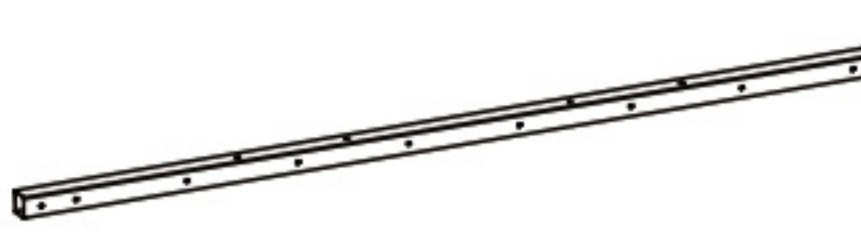
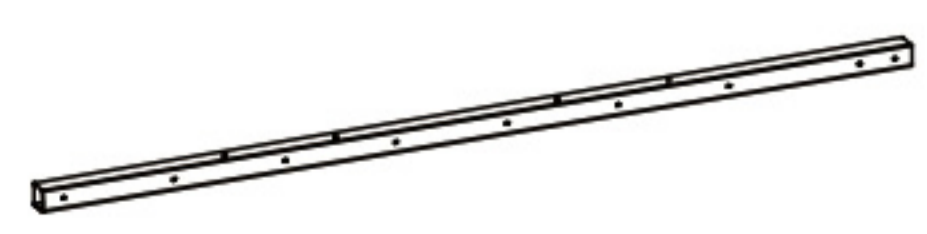
<b>Tools</b>			
	Gloves	Table	Ladder
			
	Power drill	Screw drive	Tape Measure



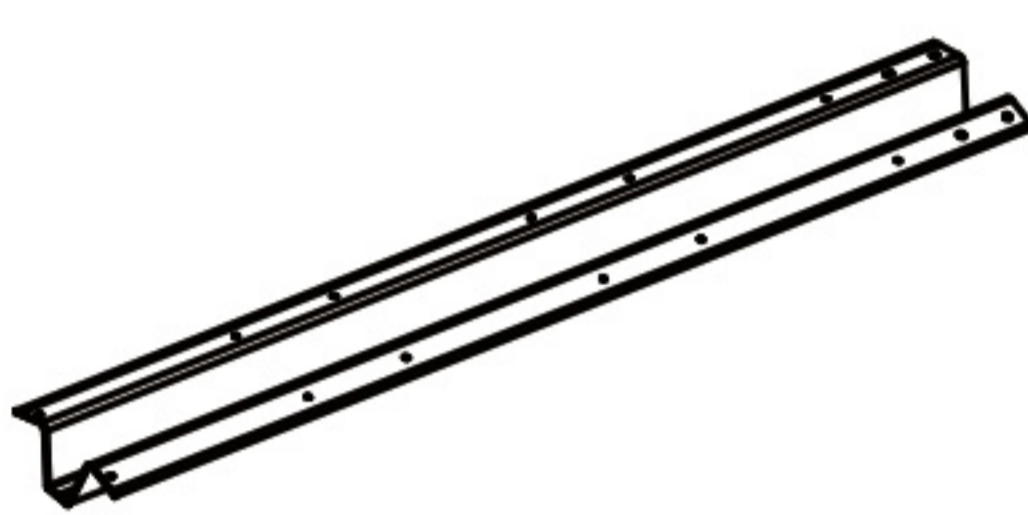
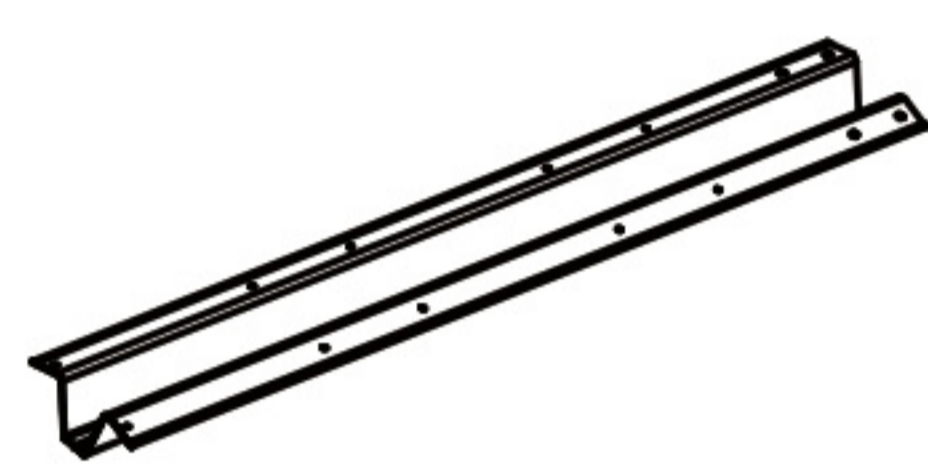
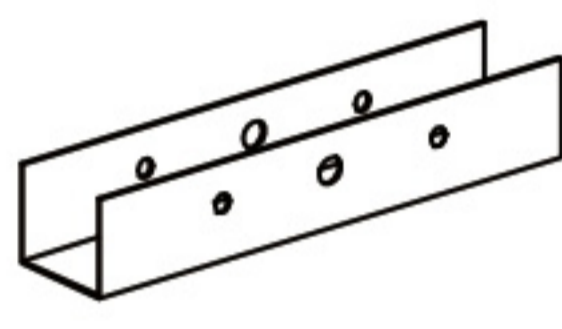




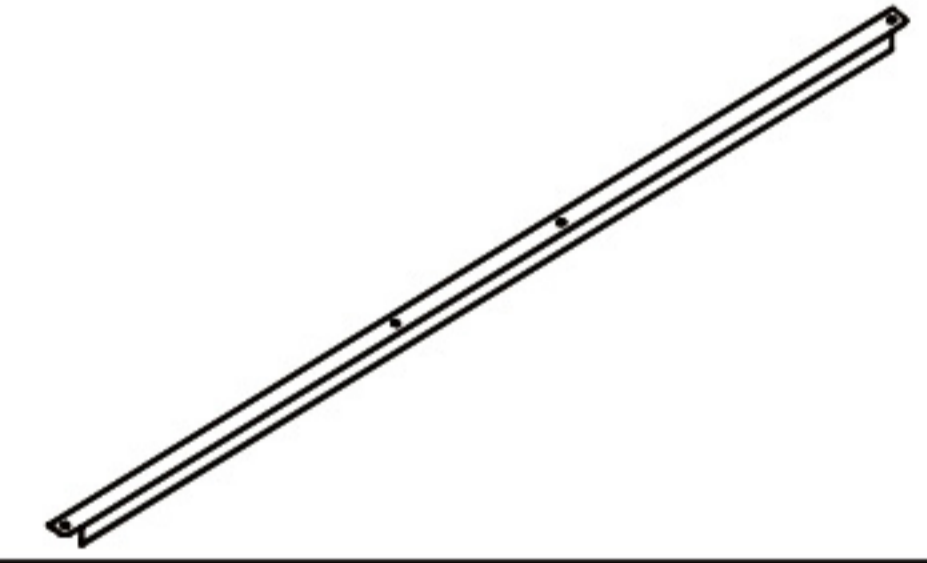
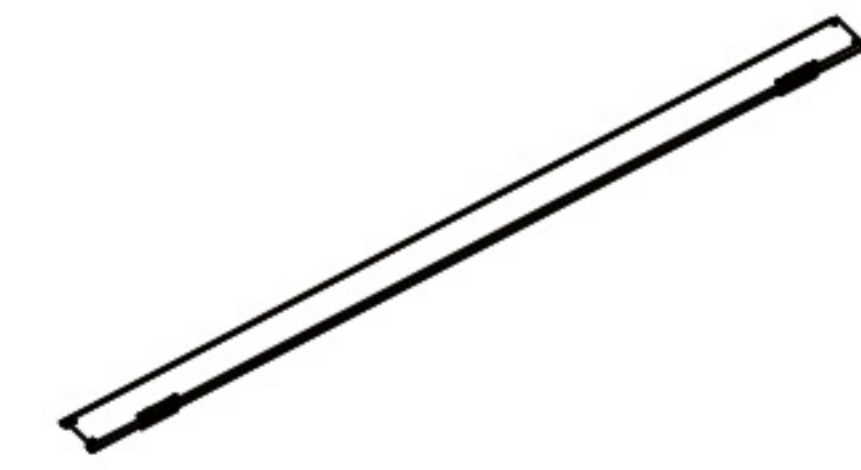
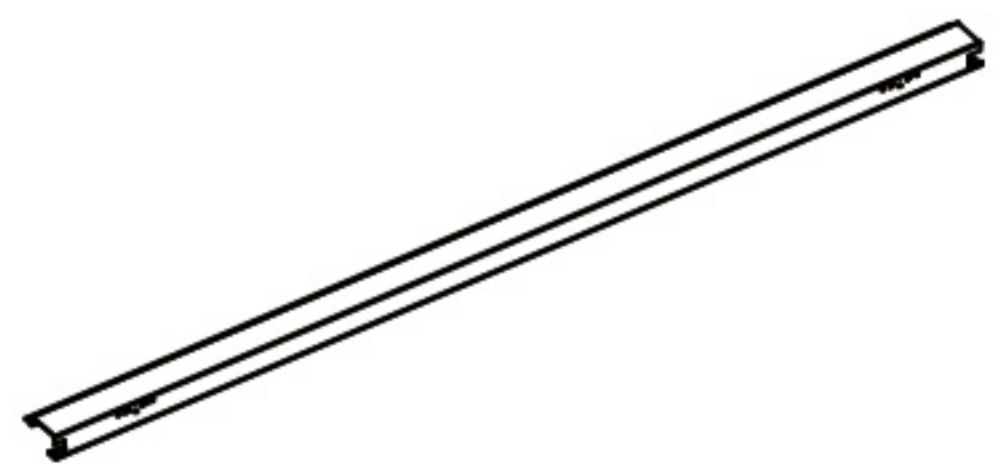
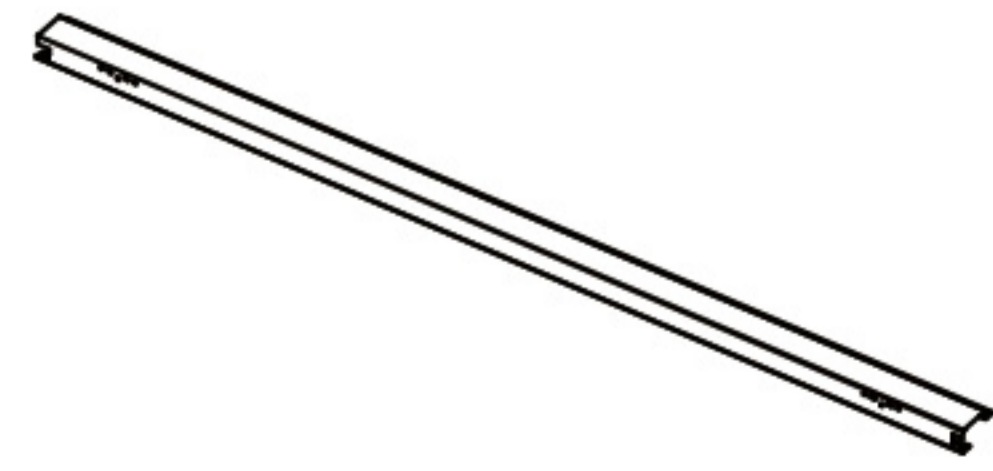
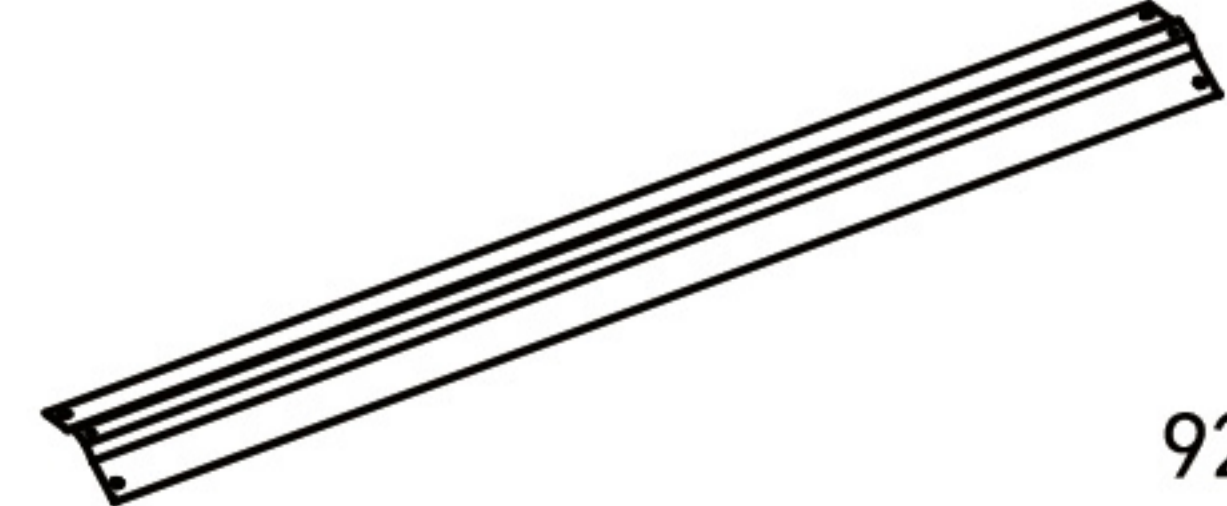
# ASSEMBLY TIPS

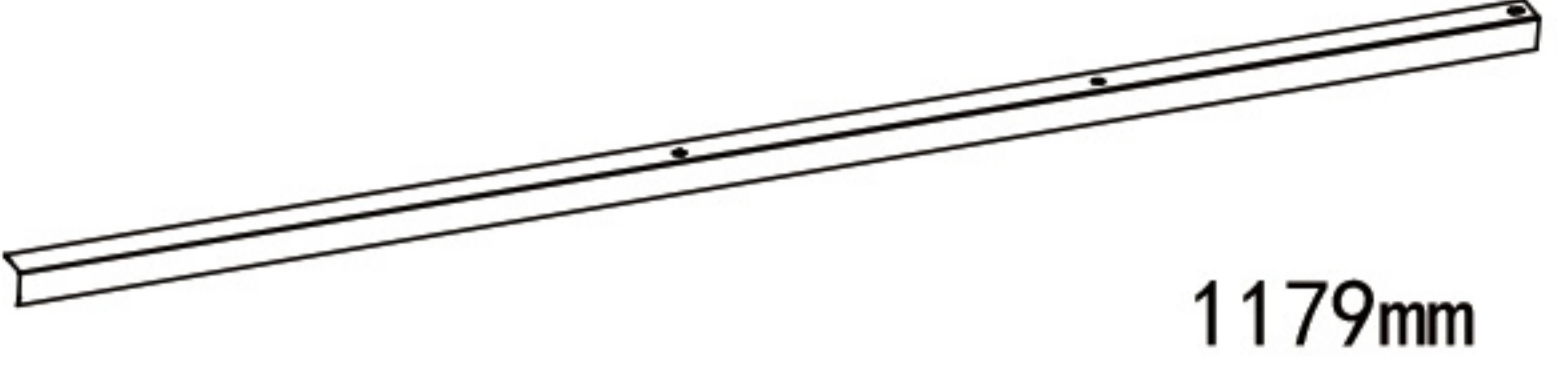
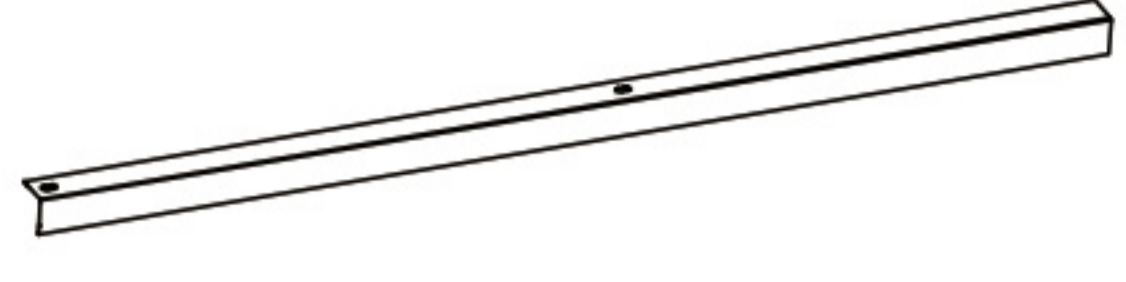
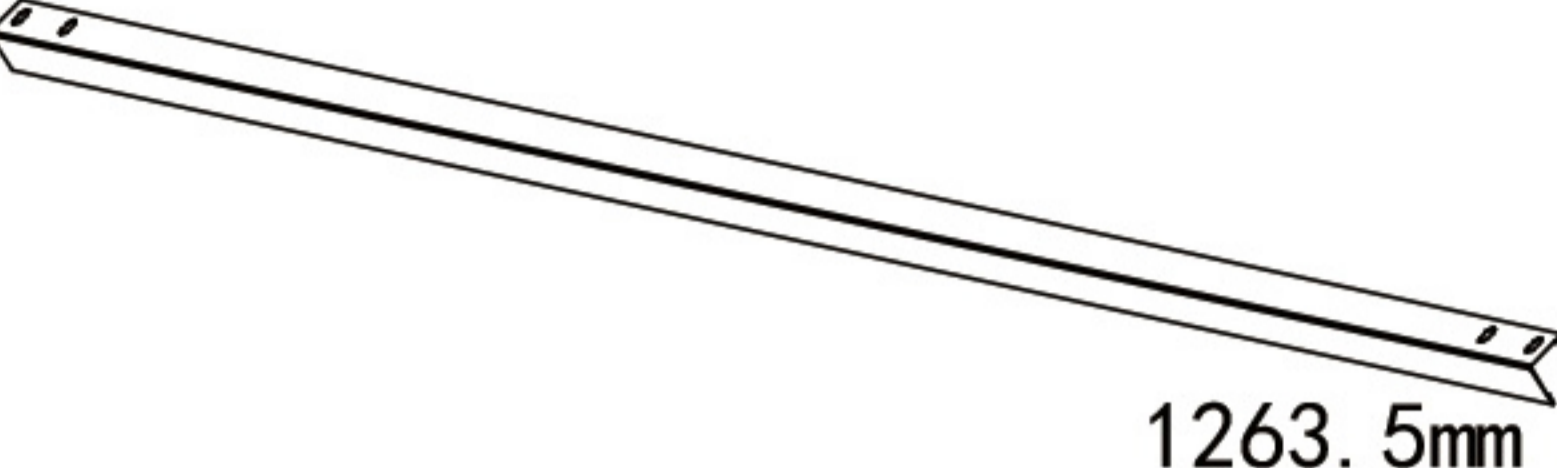
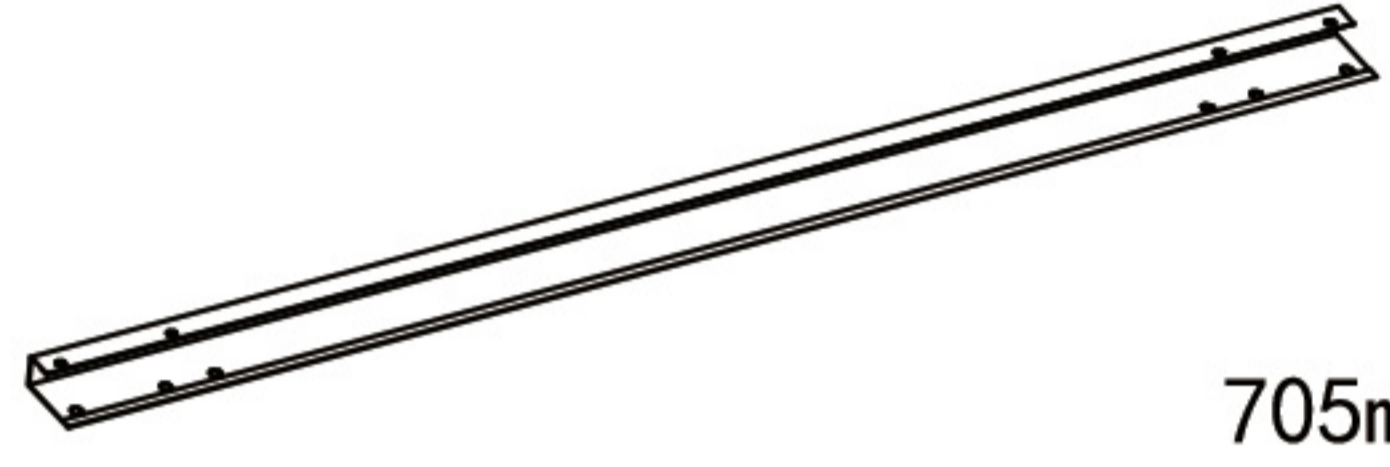


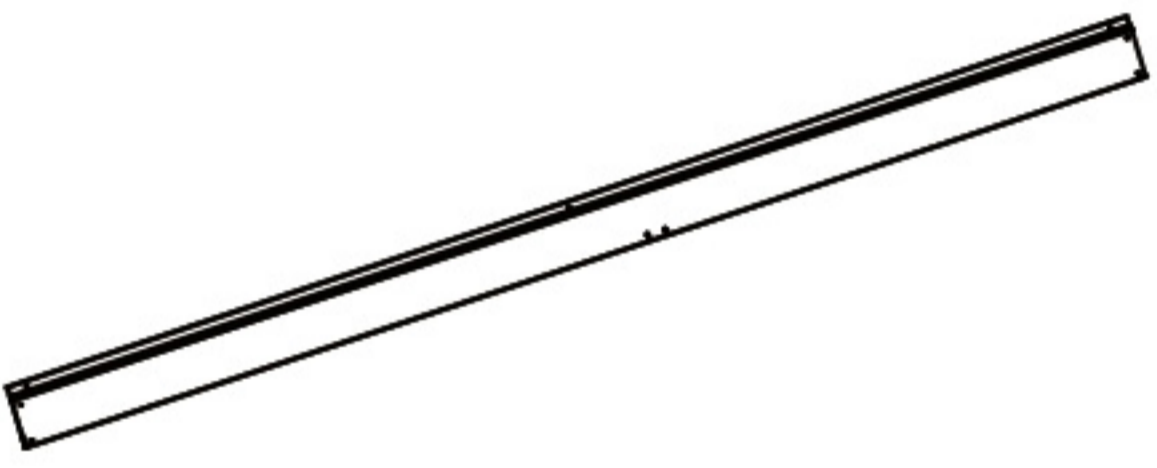
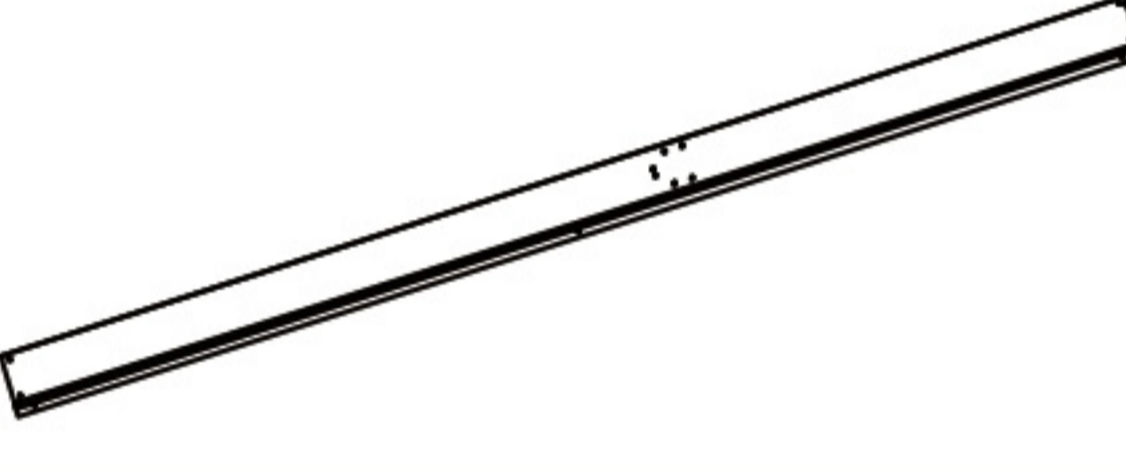
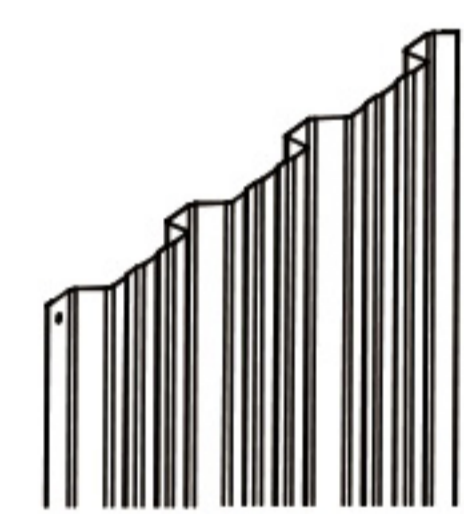
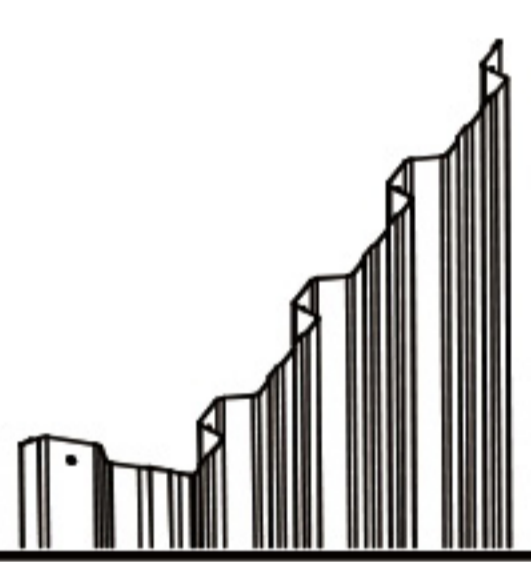
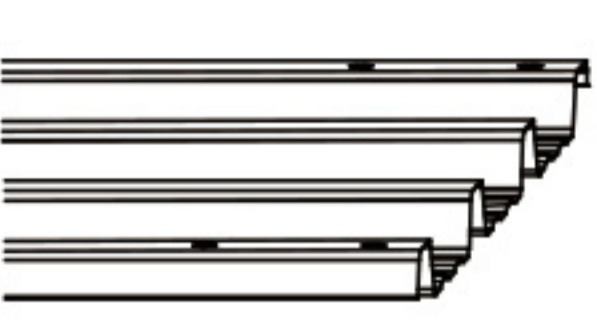
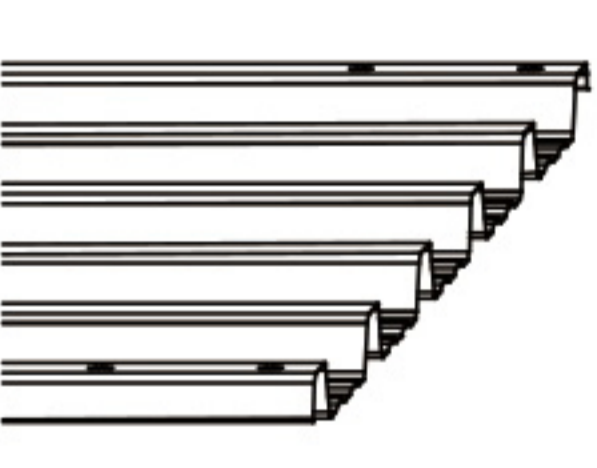
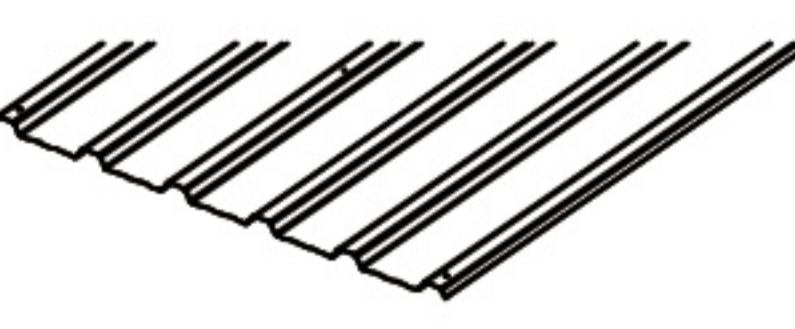
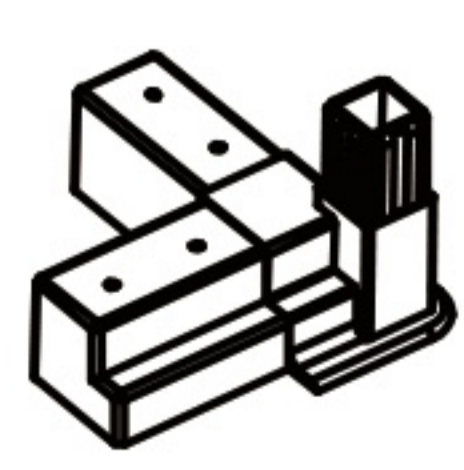

1. Clear a working area to allow access on all four sides. A raised work surface will make assembly easier. It is easier to install the wall panel on the table.
2. All parts are identified, so when working through the instructions page by page, the diagrams show where each part is positioned.
3. Before starting, to avoid any accidental injury, we recommend the use of gloves to protect your hands.
4. Please keep children away from your construction site.
5. Most assembly can be completed by one person, but assistance may be needed when you reach the erection stage.
6. Please note: Some local government authorities have rules & regulations on shed installation, and you may need approval to erect this shed.

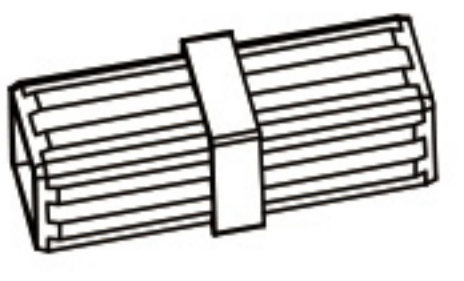

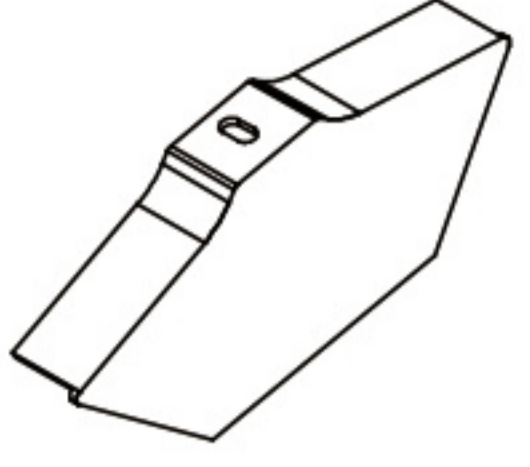

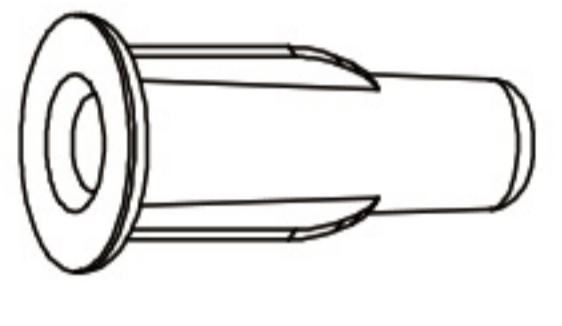
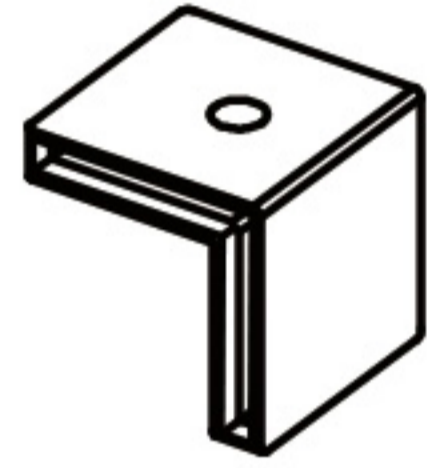
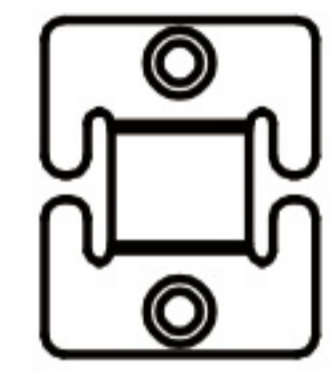
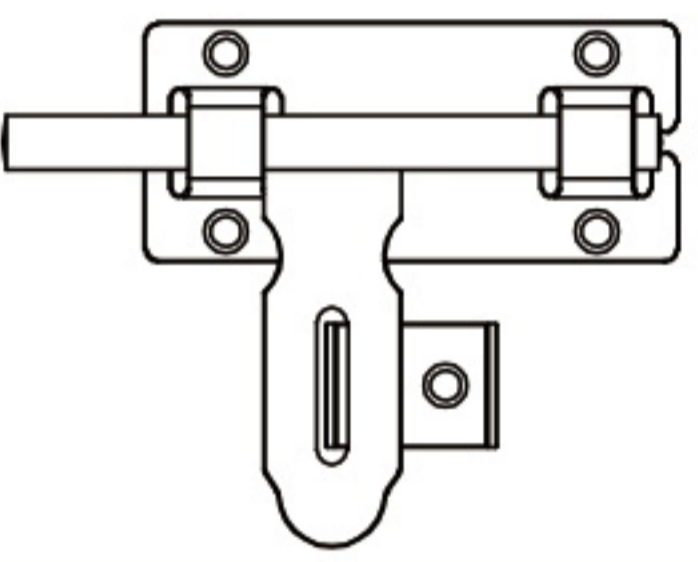
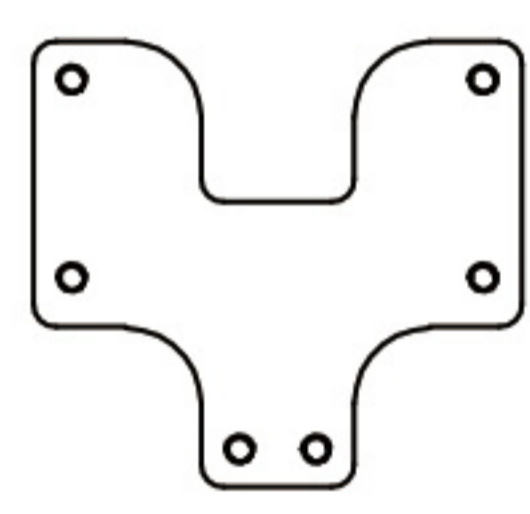
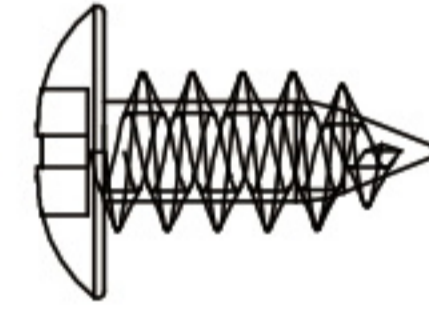
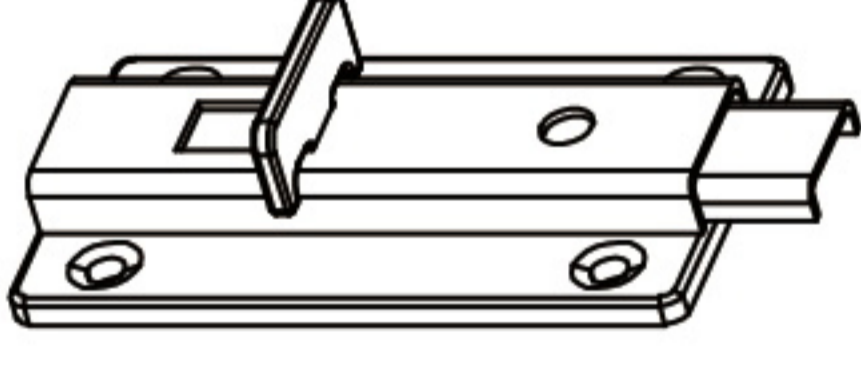
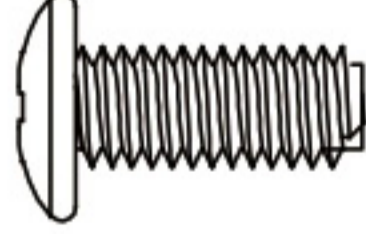

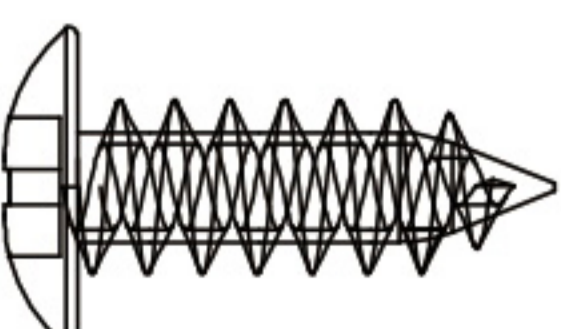

# ASSEMBLY STEPS

1. Unpack all components from the carton and lay them out beside your work area. Check parts against the parts list.
2. Work through the assembly instructions page by page.
3. Once assembly is completed, place the shed in position and fix the anchor to the ground.
4. Clean up all metal pieces and screws.

NO.	PART.	Qty.
1L	 360.1mm	1
1	 1552mm	1
1R	 360.1mm	1
2L	 815.1mm	2
2R	 815.1mm	2
3L	 1136.1mm	1
3R	 1136.1mm	1
4B	 200mm	5
5	 1510mm	4
6L	 336.8mm	1
6	 1598mm	1
6R	 336.8mm	1
7F	 818.2mm	2
7B	 818.2mm	2




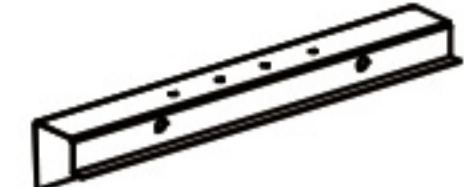

NO.	PART.	Qty.
8L	 1139.3mm	1
8R	 1139.3mm	1
9F	 998.5mm	1
9B	 811.5mm	1
10	 100mm	5
10F	 353mm	1
10B	 353mm	1
11L	 230mm	2
11R	 230mm	2
15	 940.9mm	4
16	 1555mm	2
17L	 1560mm	1
17R	 1560mm	1
18	 929.5mm	2

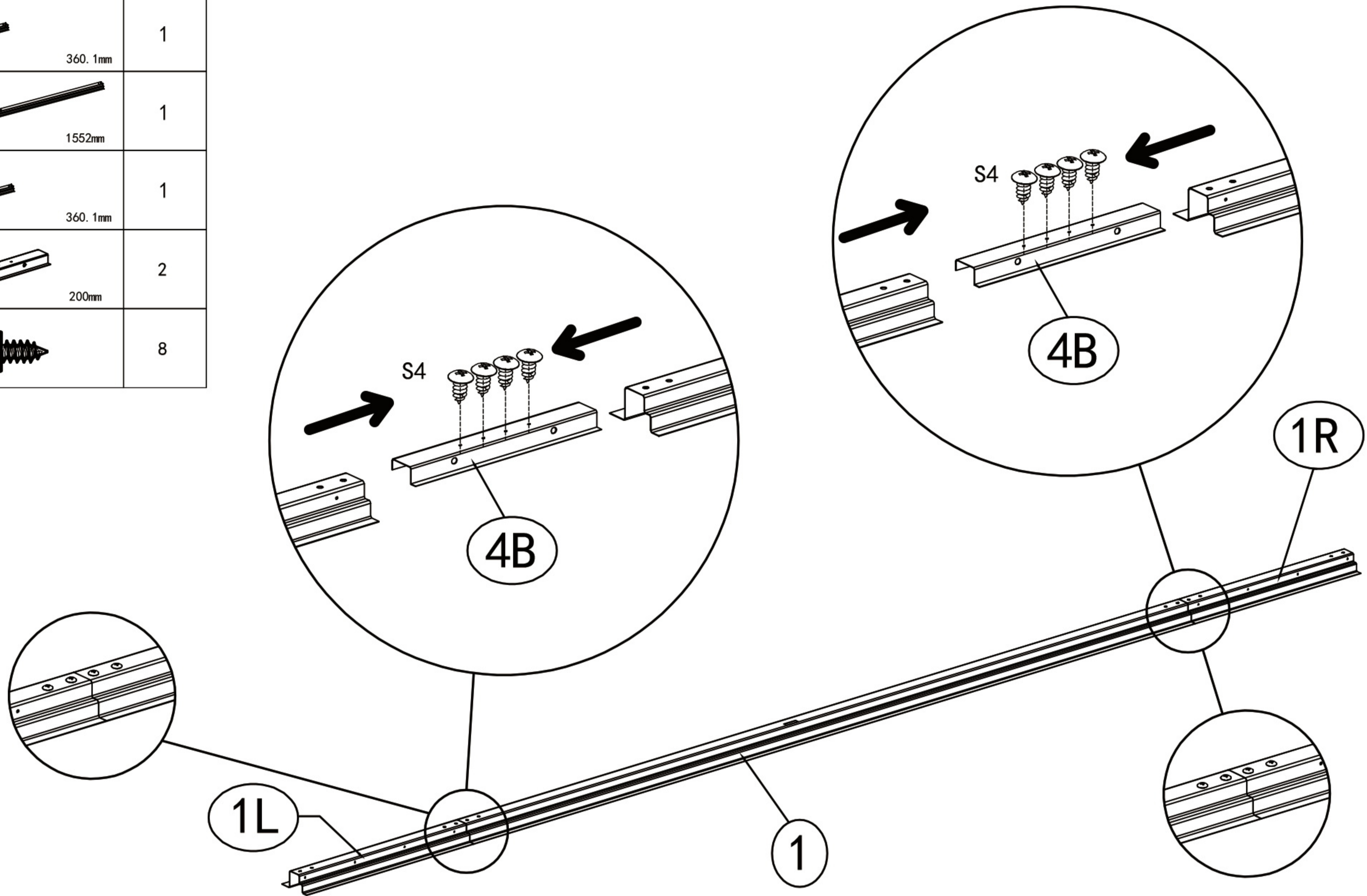
NO.	PART.	Qty.
19L	 1179mm	2
19R	 644mm	2
20	 1263.5mm	4
21	 705mm	4
21L		2
21R		2
22	 1555mm	1
23	 1555mm	1
W3	 1560mm	15
W7	 1560mm	4
W12	 1255.5mm	8
W15	 1255.5mm	2
M1	 1553mm	2
C		4
F		4

NO.	PART.	Qty.
I		5
F4		4
F5		2
F7		273
F8		46
F10		2
S1		1
S2		1
S3		1
S4		323
S5		2
S6		70
S7		64
S8		6
S9		4



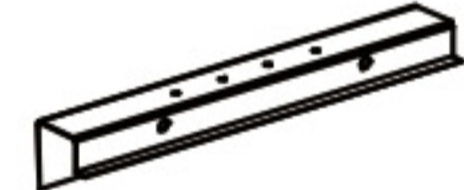



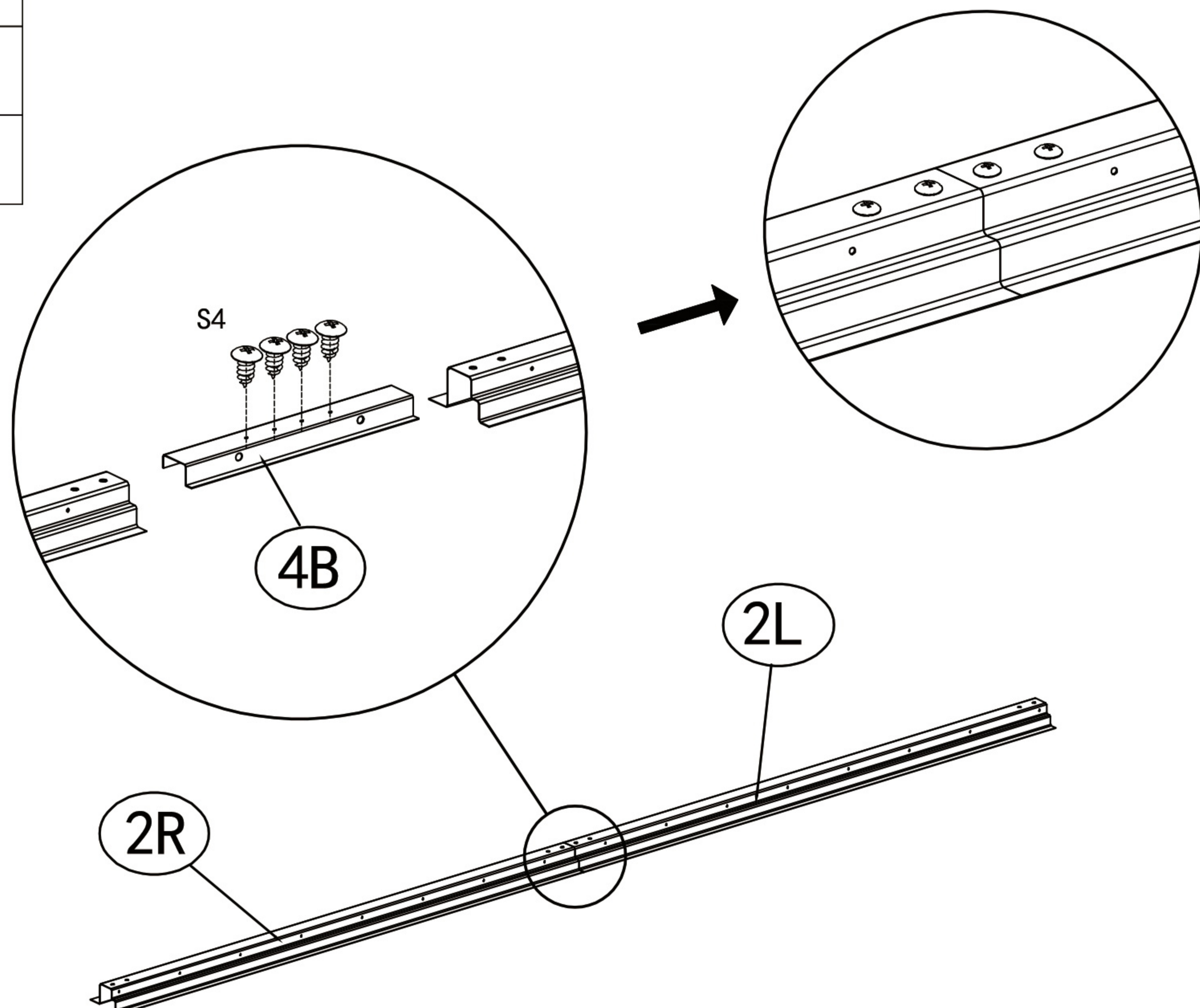
# STEP 1

NO.	PART.	Qty.
1L	 360.1mm	1
1	 1552mm	1
1R	 360.1mm	1
4B	 200mm	2
S4		8



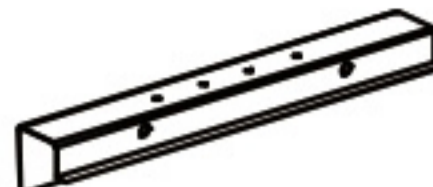




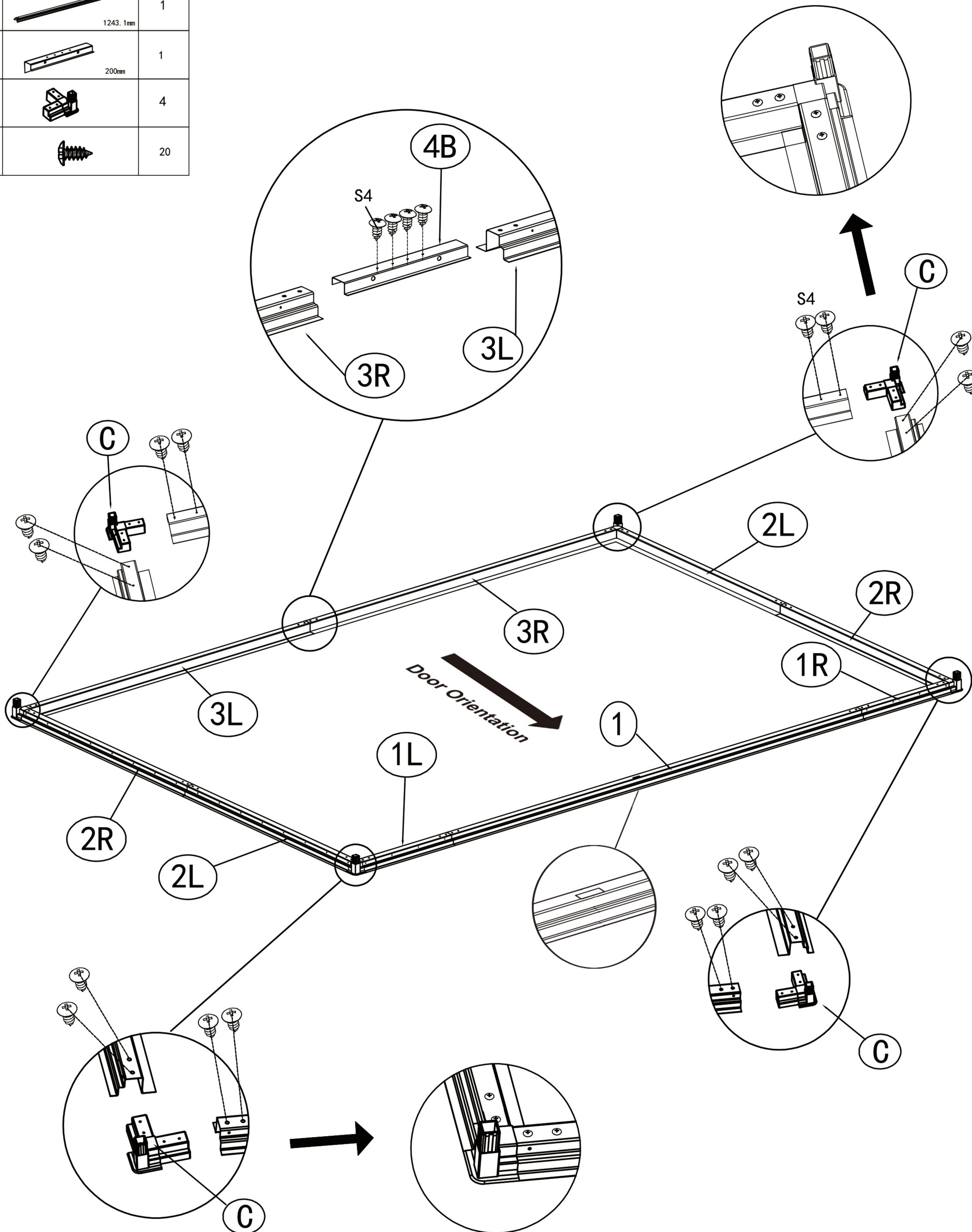
# STEP 2

NO.	PART.	Qty.
2L	 815.1mm	2
2R	 815.1mm	2
4B	 200mm	1
S4		4




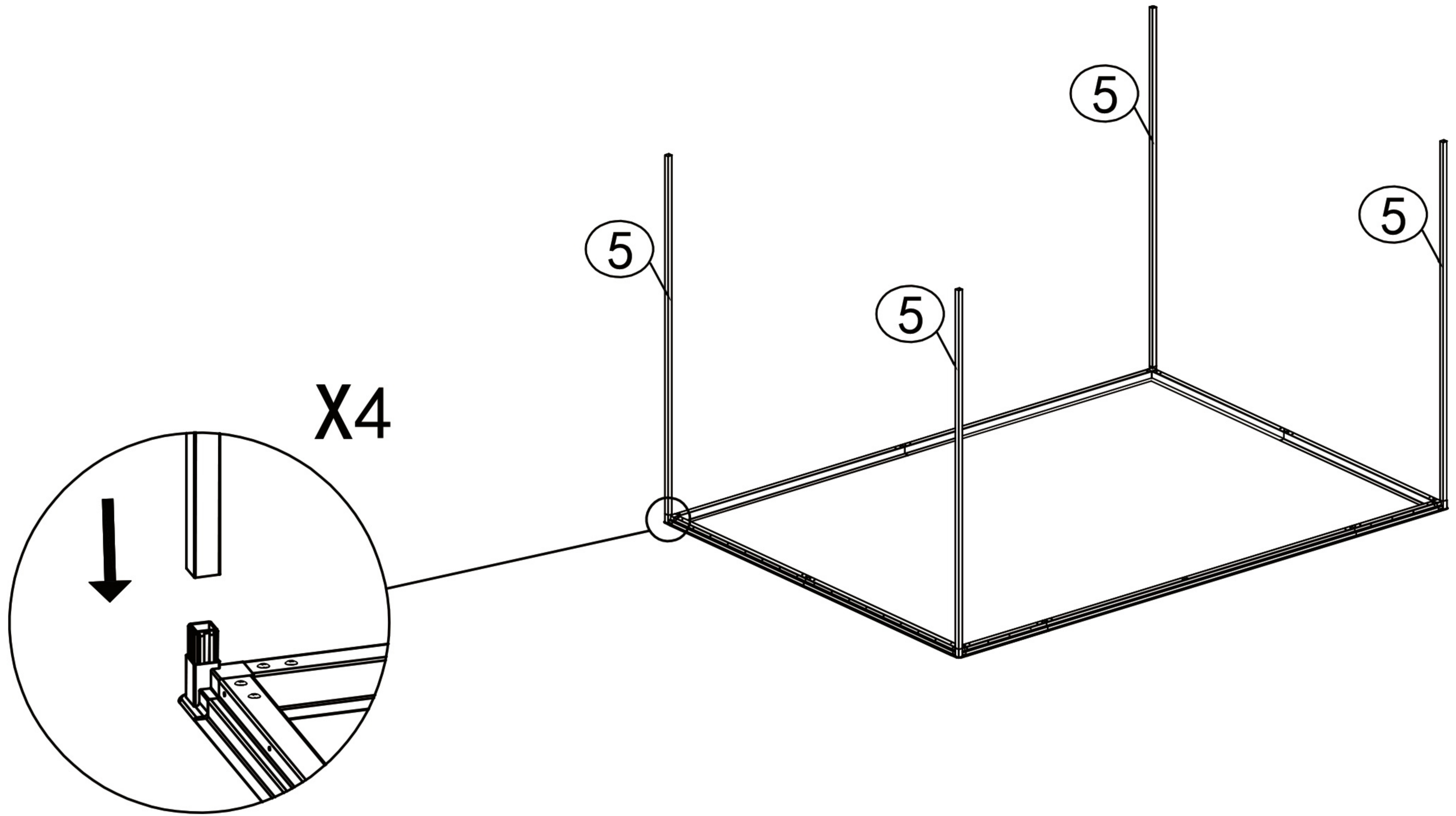
# STEP 3

NO.	PART.	Qty.
3L	 1136.1mm	1
3R	 1243.1mm	1
4B	 200mm	1
C		4
S4		20









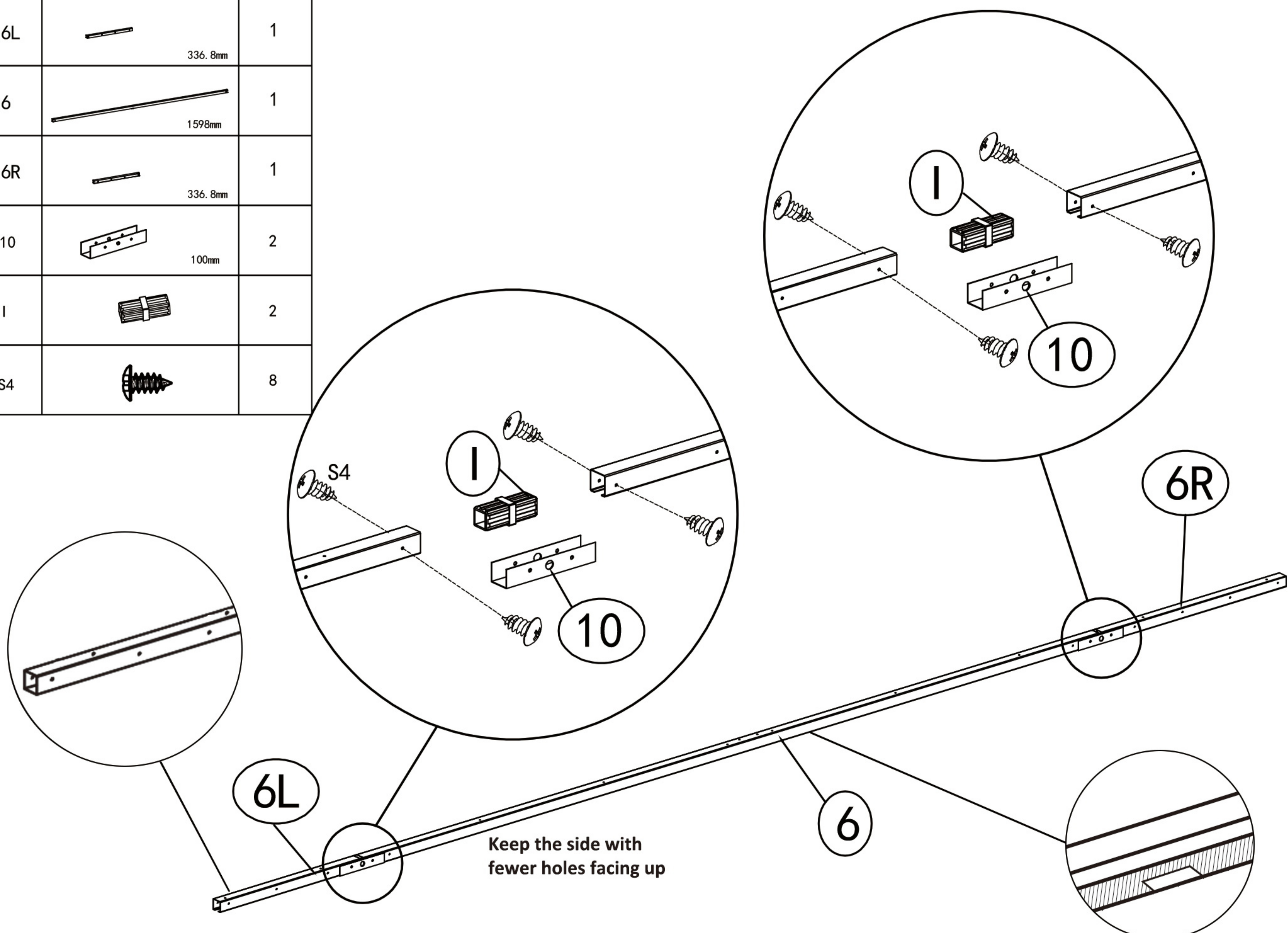
# STEP 4

NO.	PART.	Qty.
5	 1510mm	4








# STEP 5

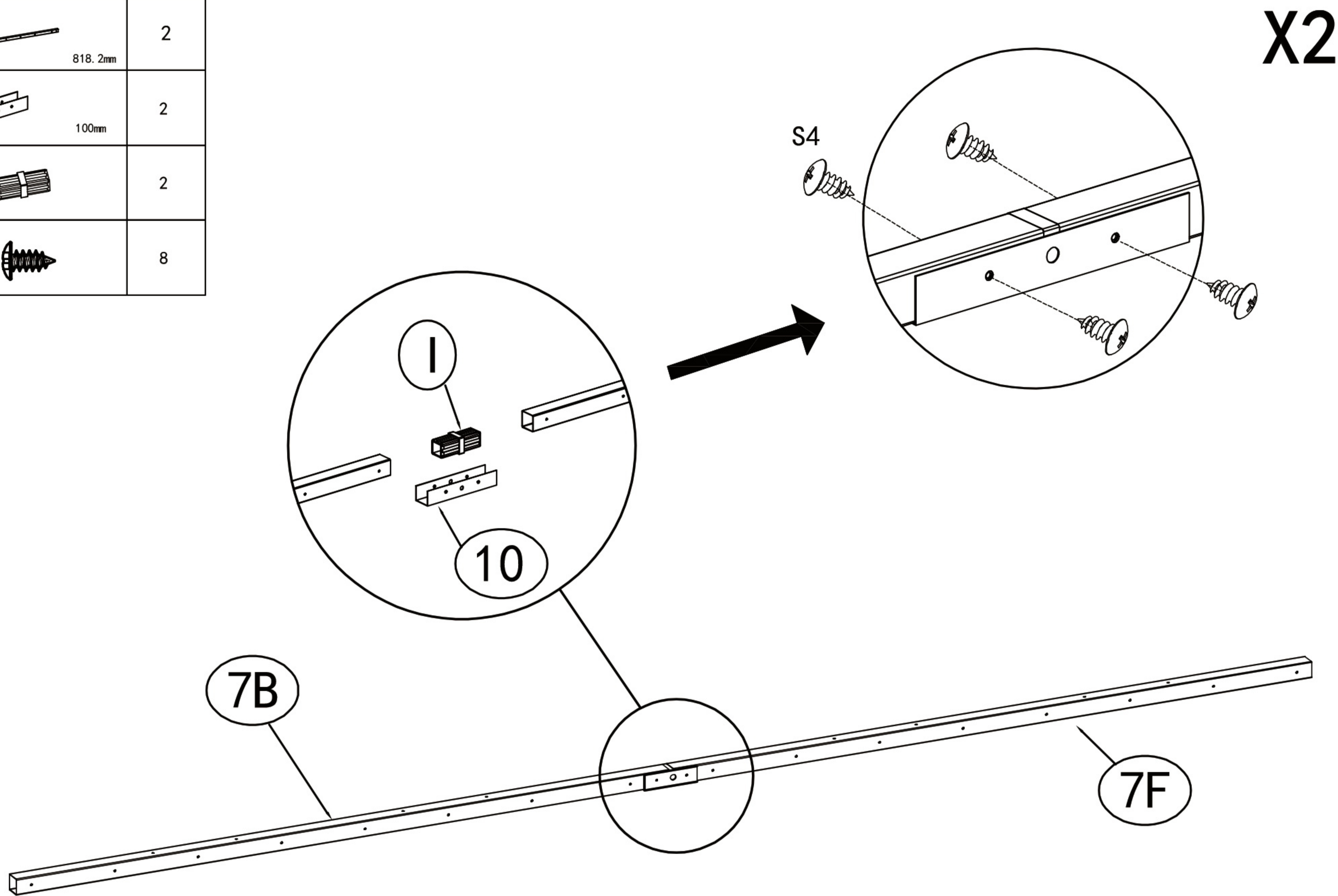
NO.	PART.	Qty.
6L	 336.8mm	1
6	 1598mm	1
6R	 336.8mm	1
10	 100mm	2
I		2
S4		8








Please note that the slot should be facing downwards and positioned towards the front.

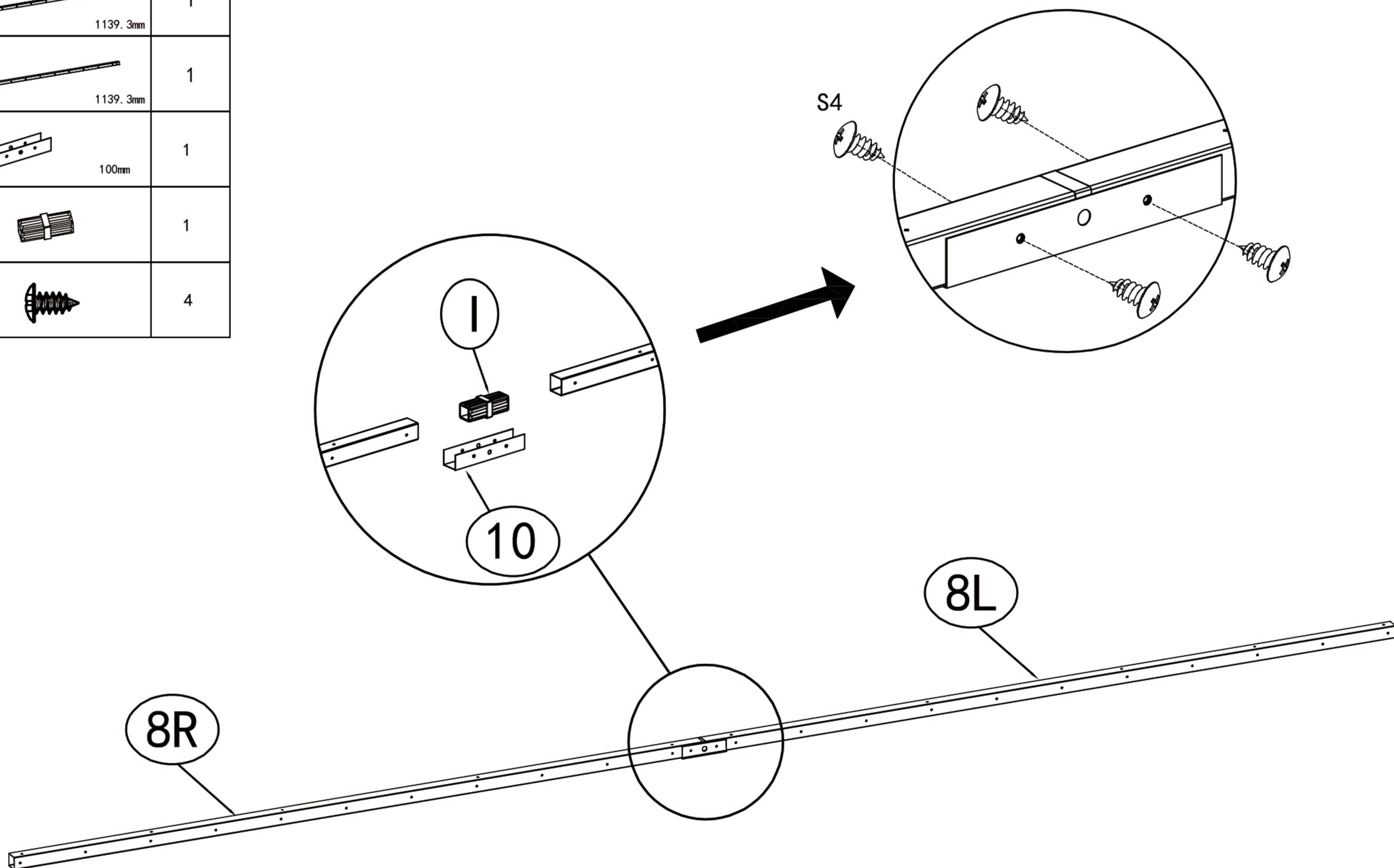
# STEP 6

NO.	PART.	Qty.
7F	 818.2mm	2
7B	 818.2mm	2
10	 100mm	2
I		2
S4		8





# STEP 7

NO.	PART.	Qty.
8L	 1139.3mm	1
8R	 1139.3mm	1
10	 100mm	1
I		1
S4		4

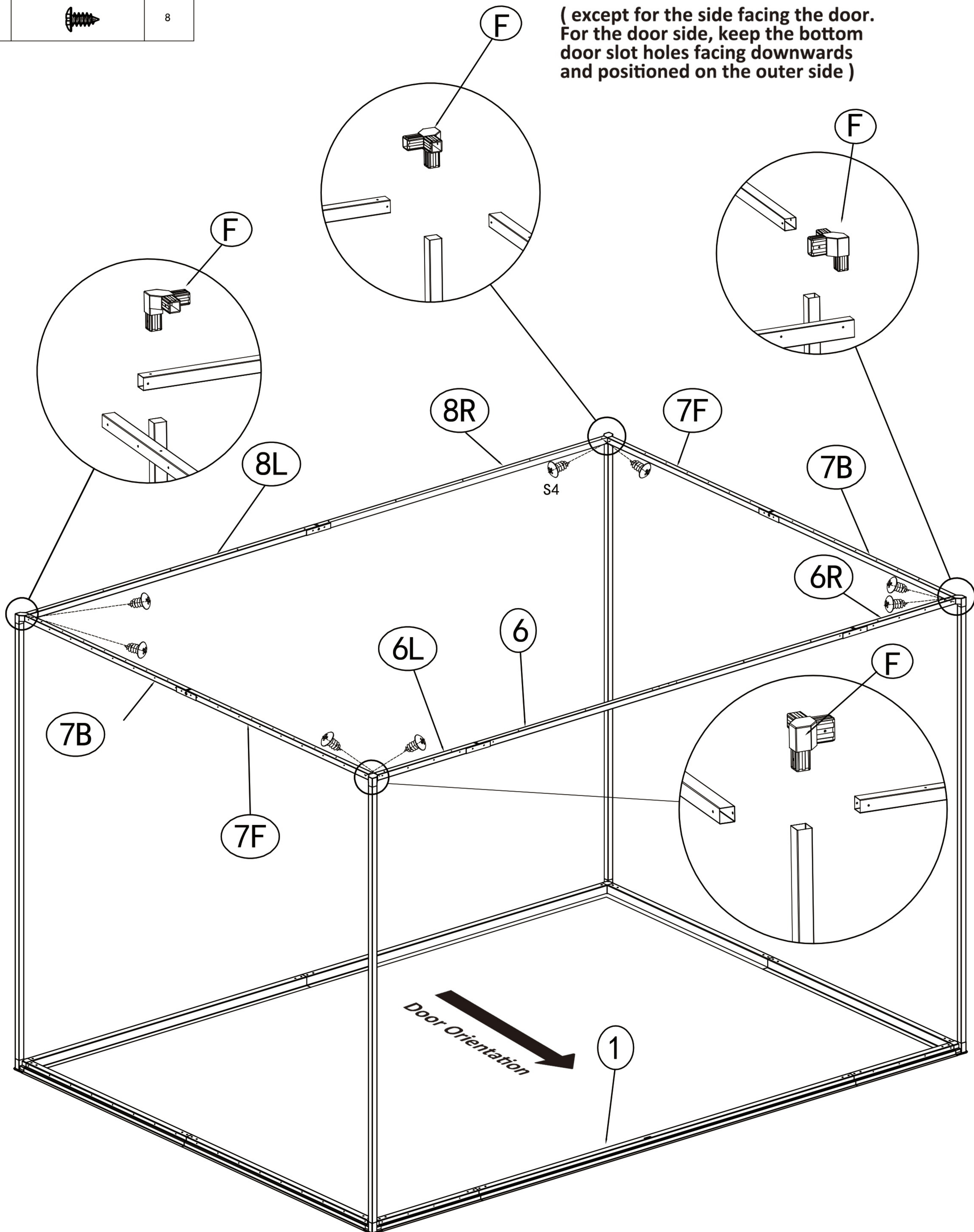


# STEP 8

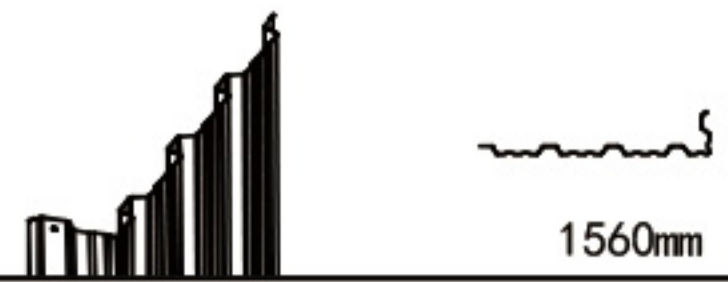
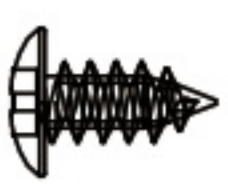

NO.	PART.	Qty.
F		4
S4		8

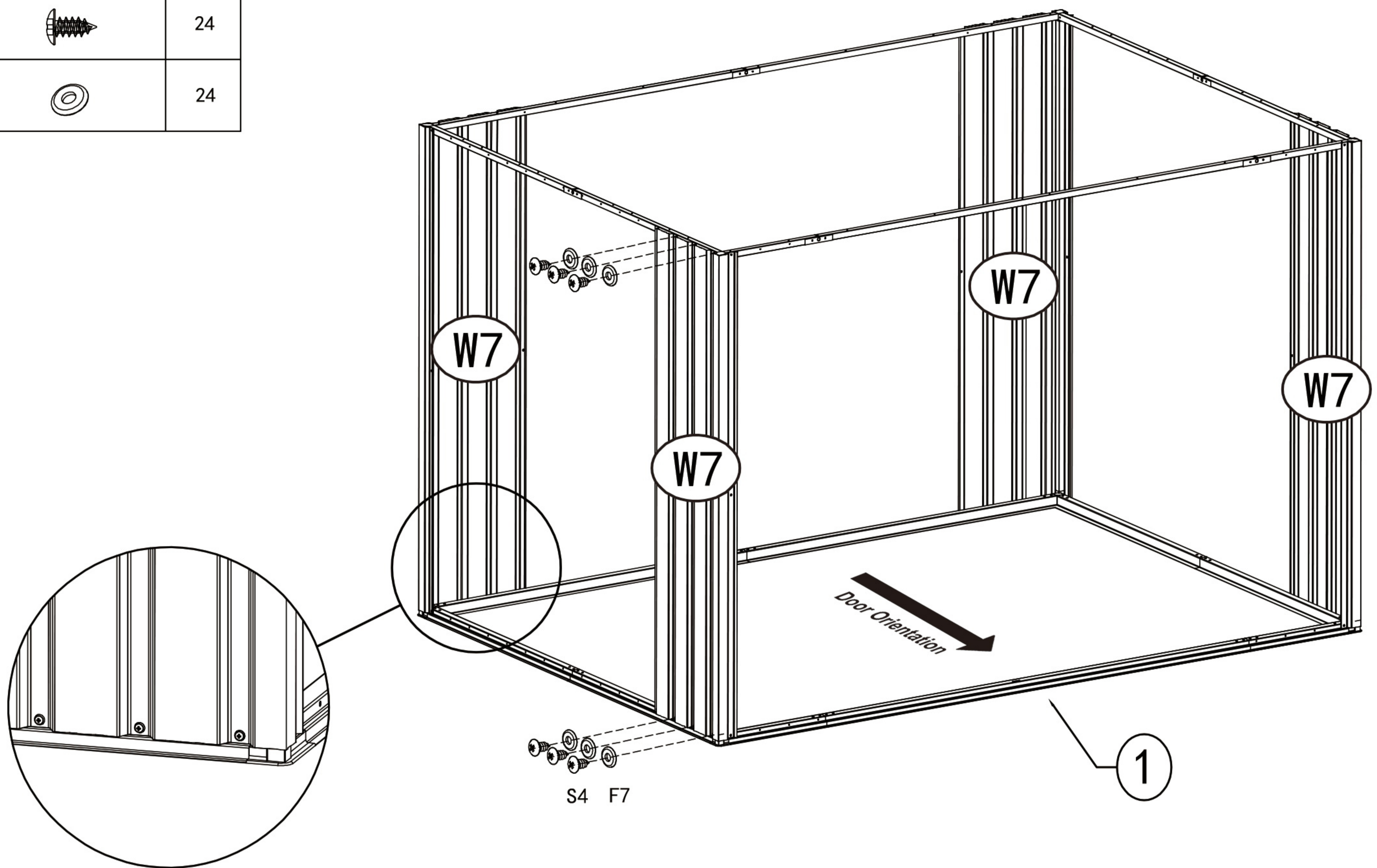
When installing, ensure that the side with fewer holes is facing upwards

( except for the side facing the door.  
For the door side, keep the bottom door slot holes facing downwards and positioned on the outer side )


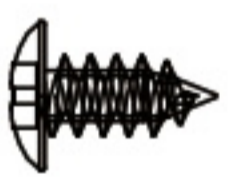





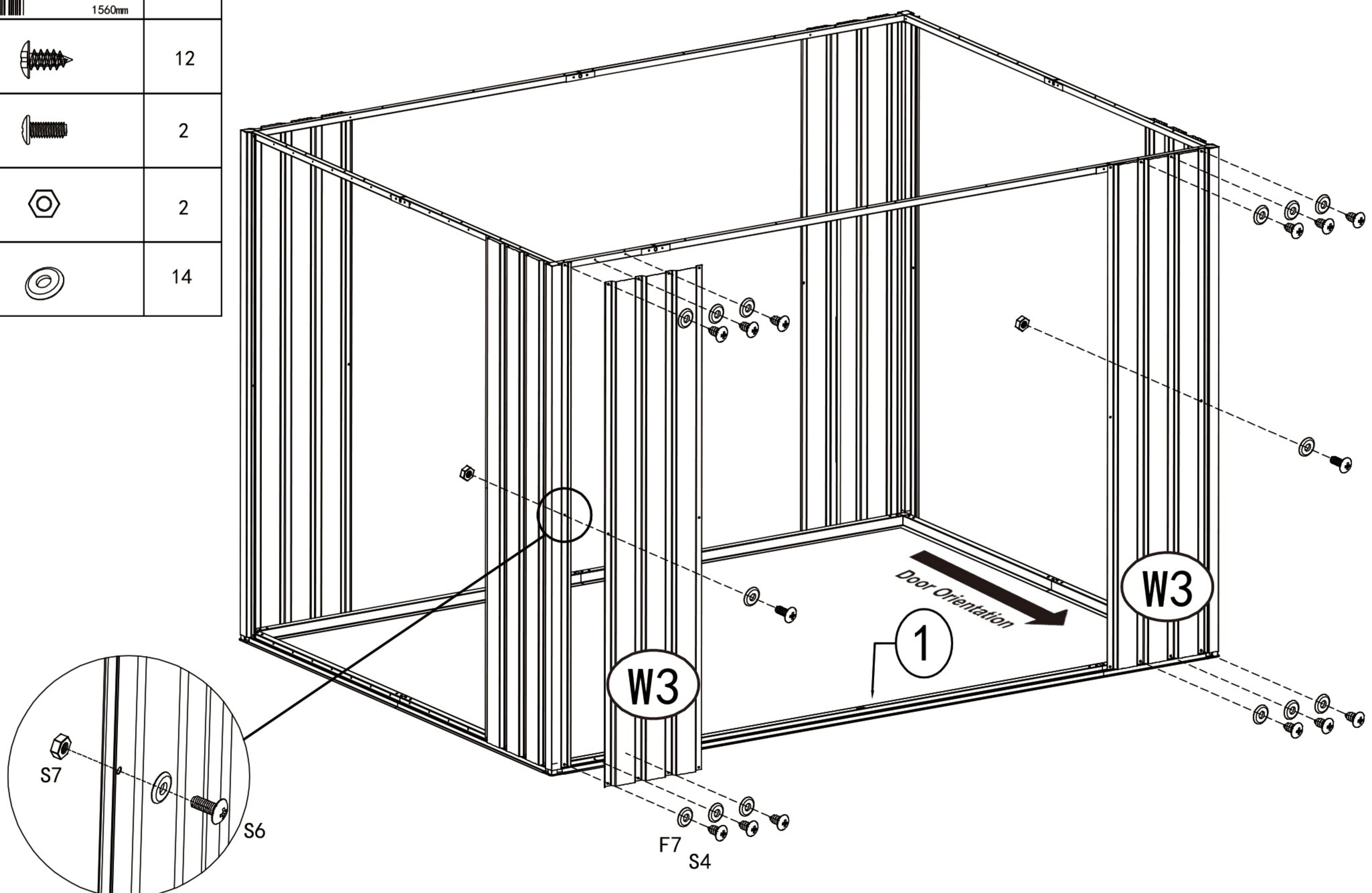
# STEP 9

NO.	PART.	Qty.
W7	 1560mm	4
S4		24
F7		24

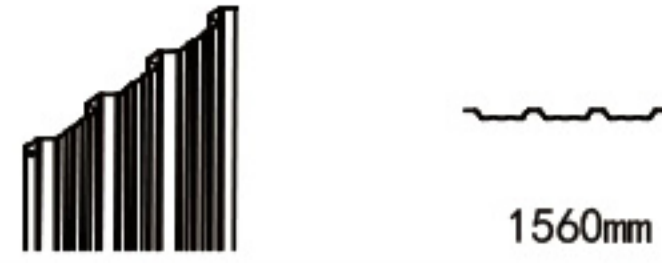
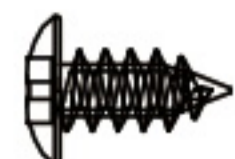
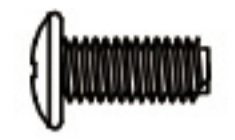




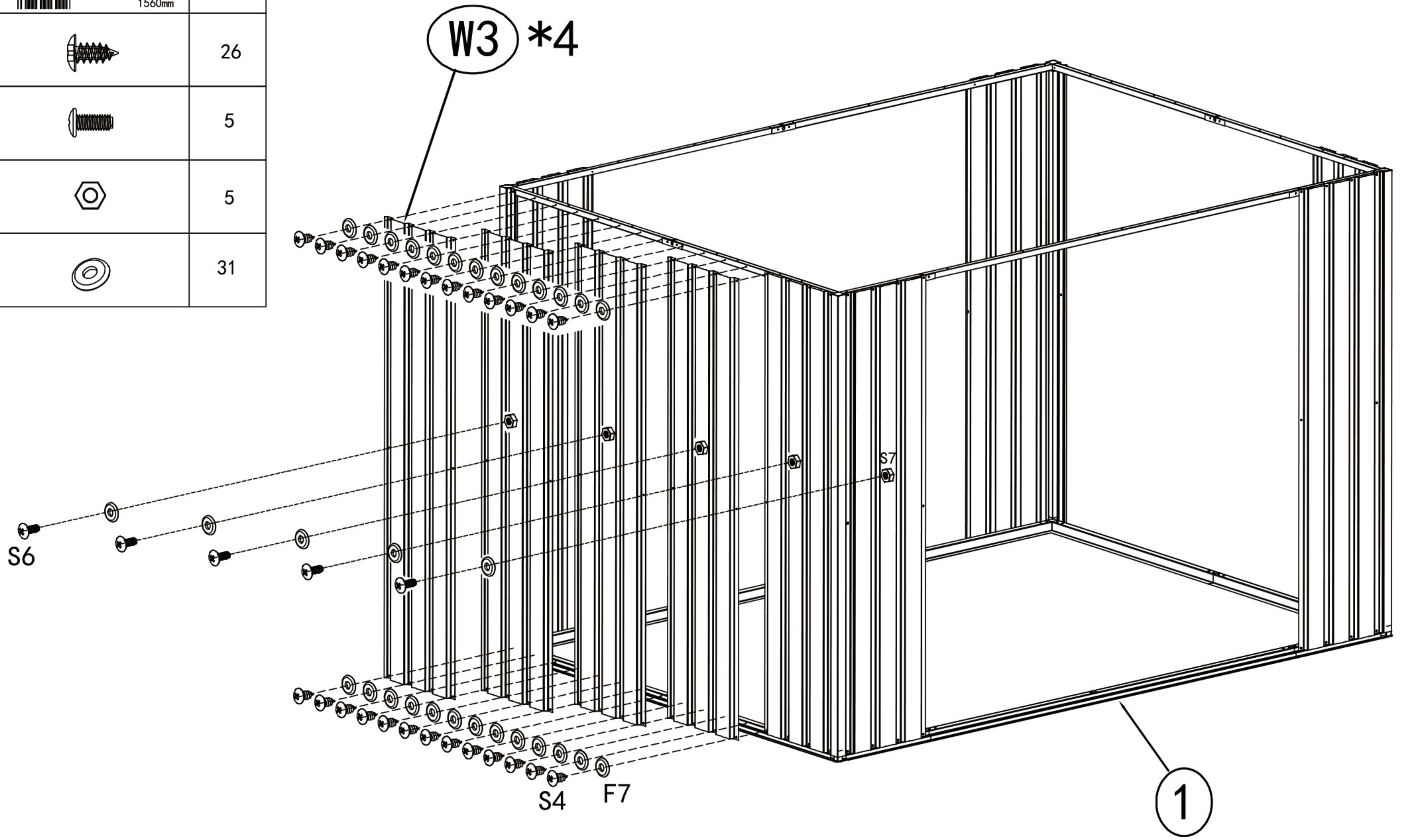
# STEP 10

NO.	PART.	Qty.
W3	 1560mm	2
S4		12
S6		2
S7		2
F7		14


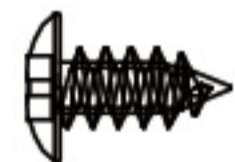





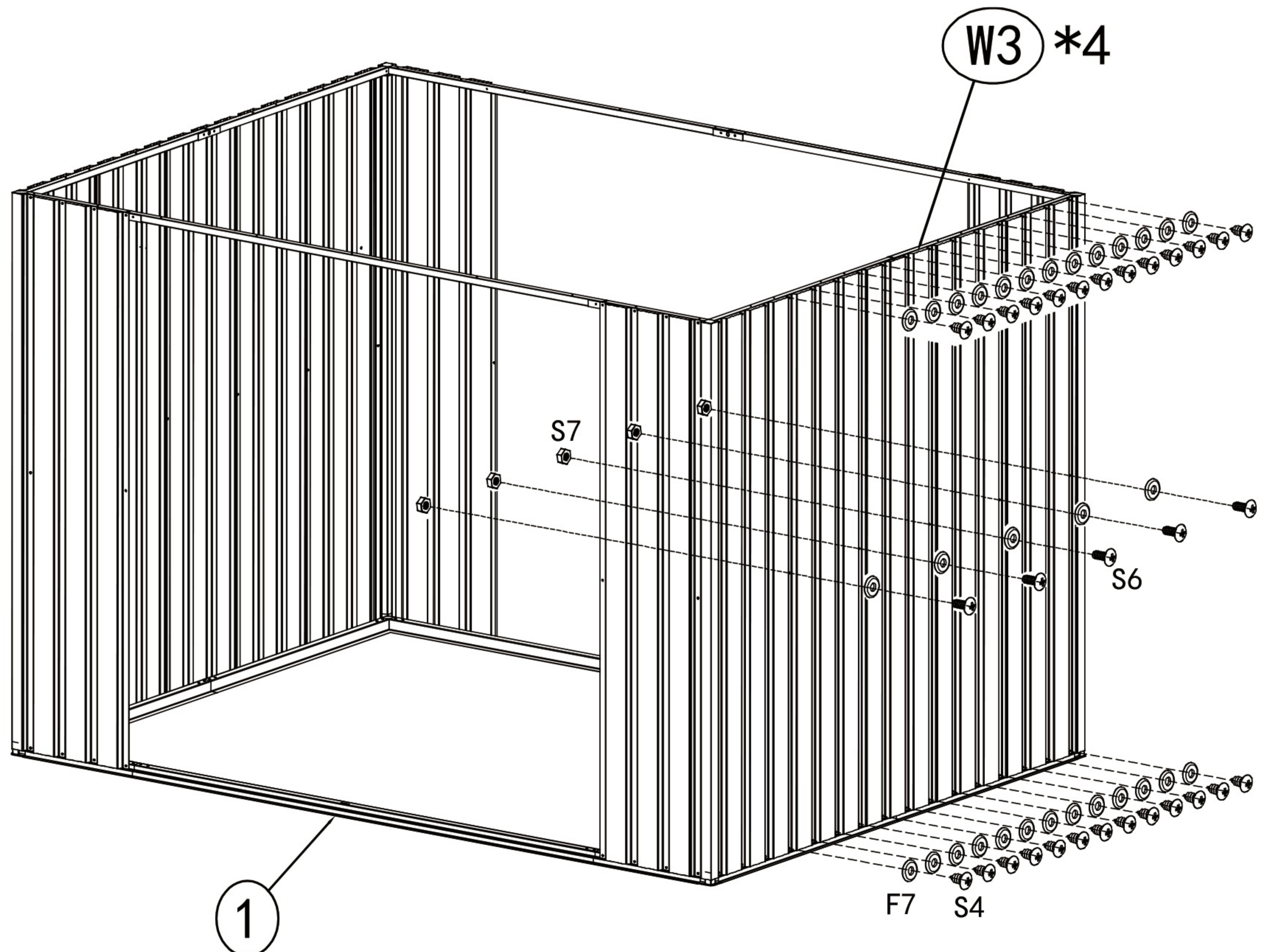
# STEP 11

NO.	PART.	Qty.
W3	 1560mm	4
S4		26
S6		5
S7		5
F7		31


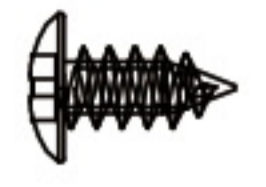





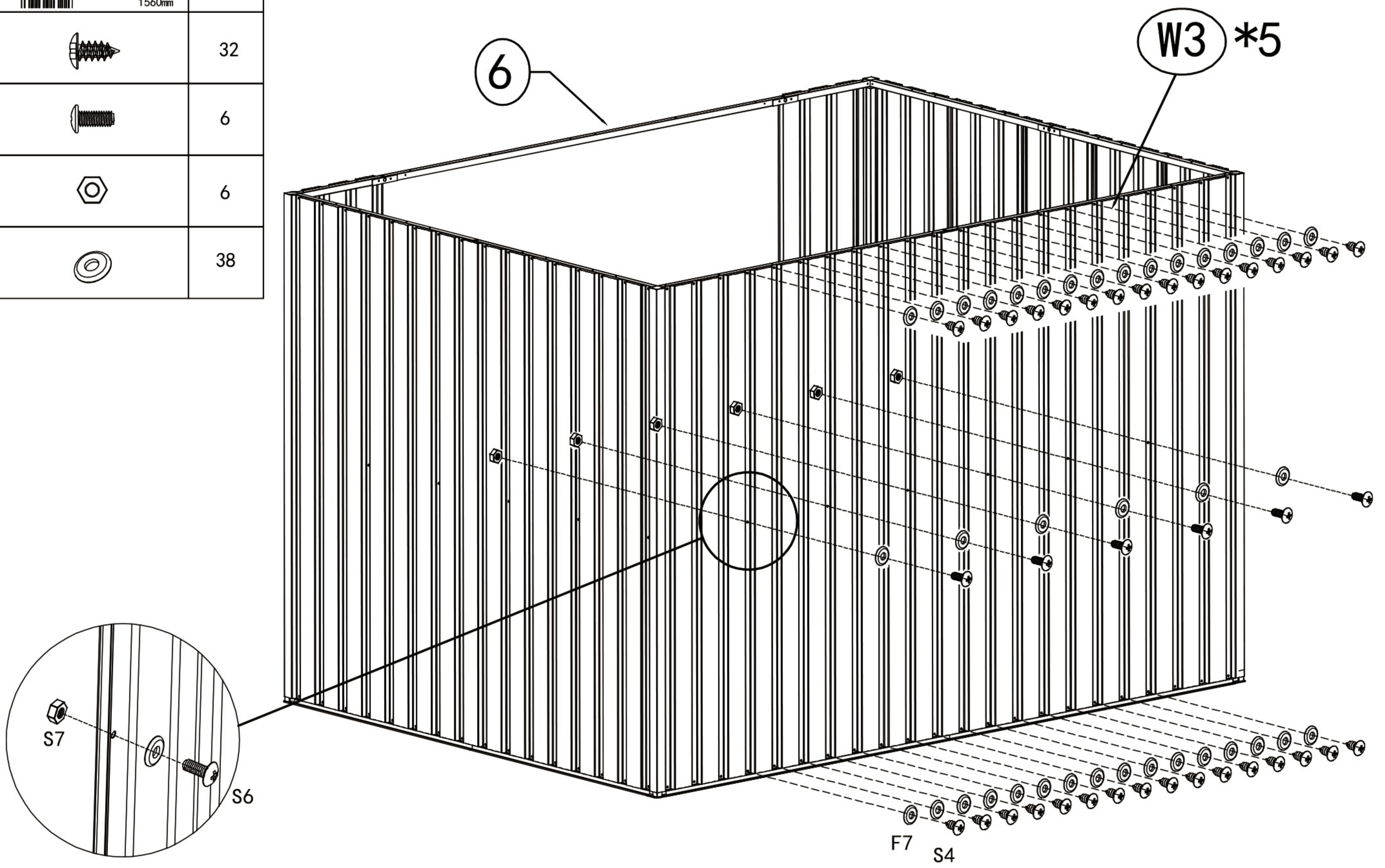
# STEP 12

NO.	PART.	Qty.
W3	 1560mm	4
S4		26
S6		5
S7		5
F7		31



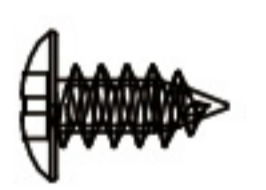
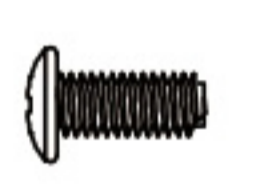




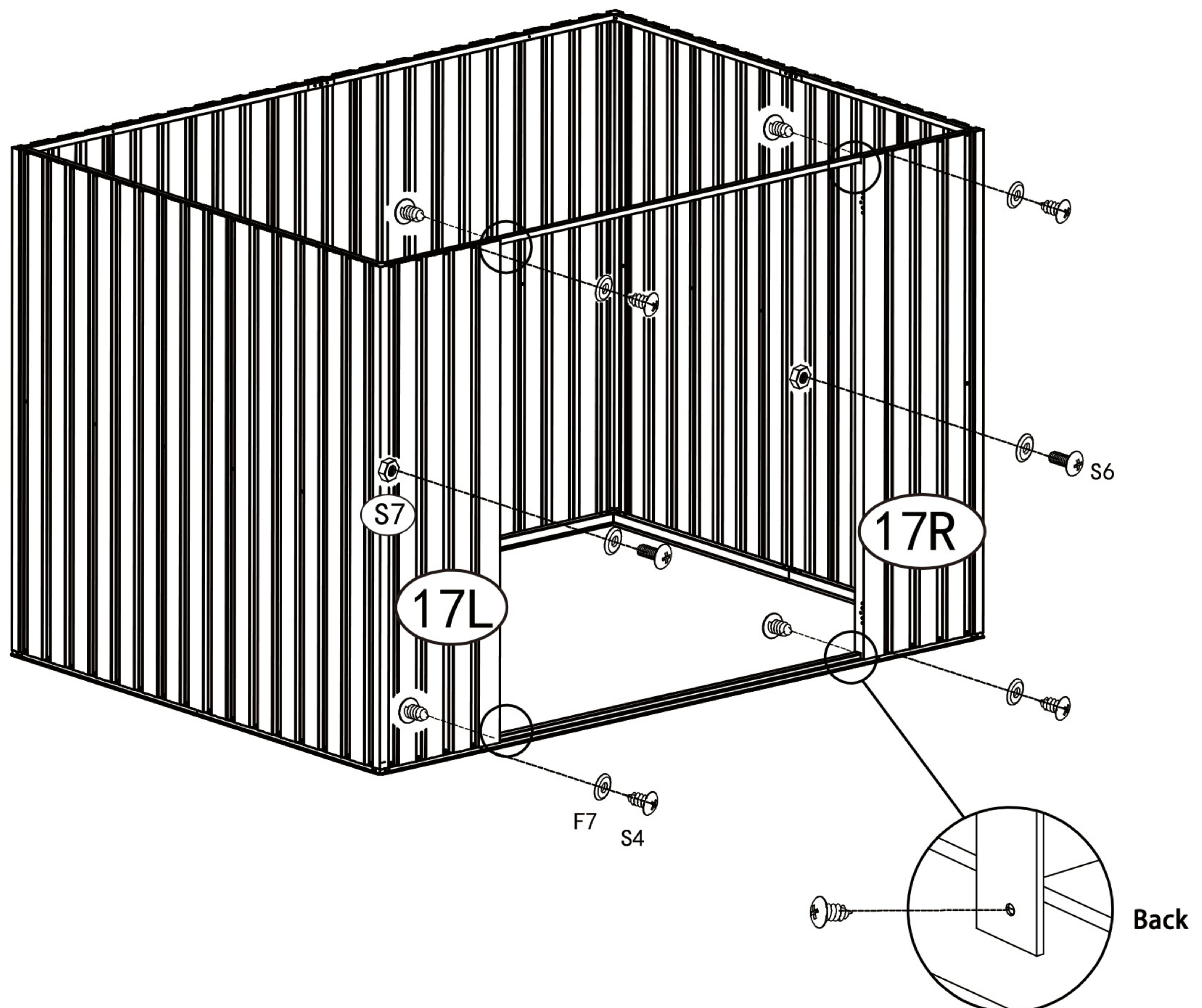
# STEP 13

NO.	PART.	Qty.
W3	 1560mm	5
S4		32
S6		6
S7		6
F7		38











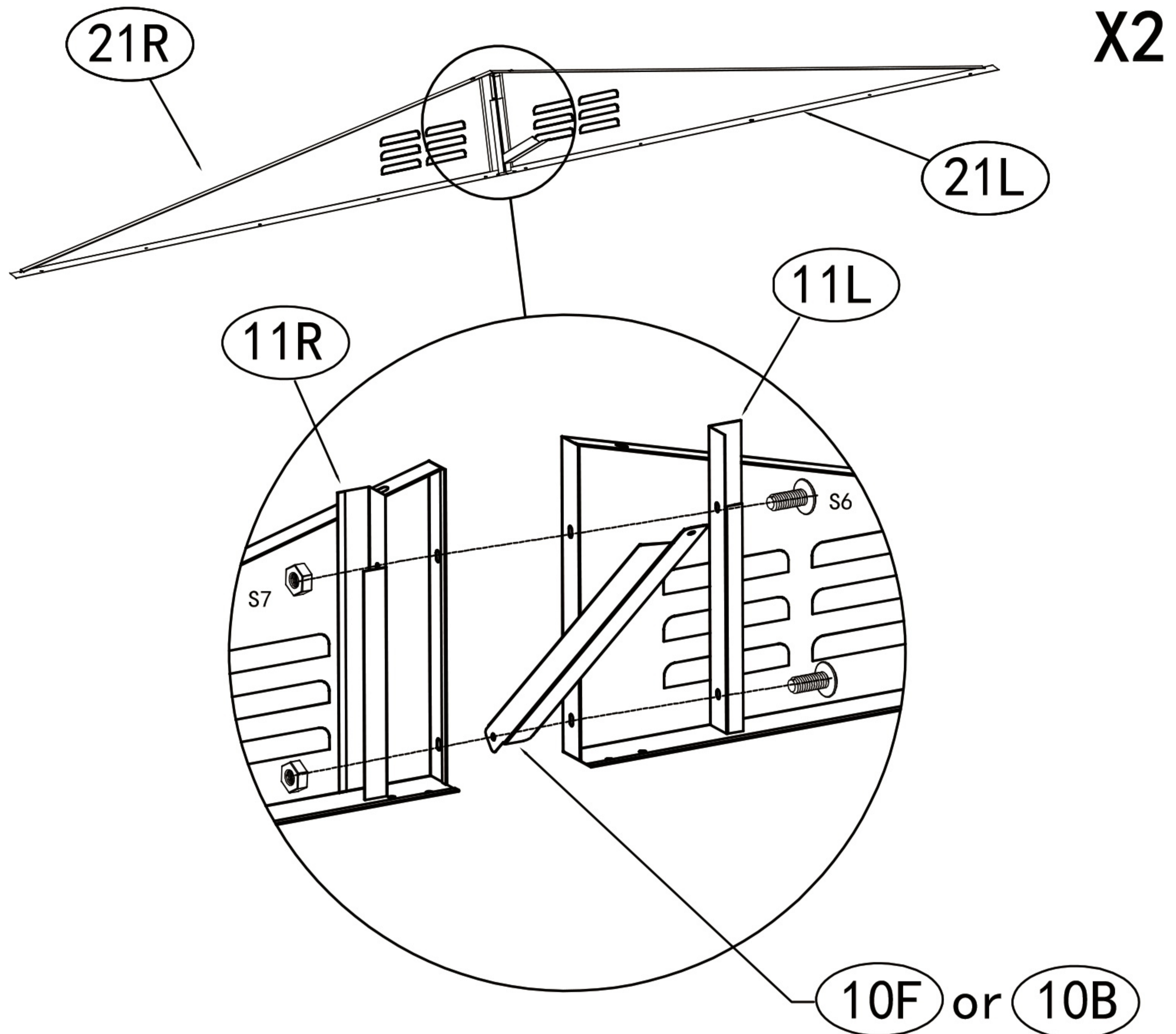
# STEP 14

NO.	PART.	Qty.
17L	 1560mm	1
17R	 1560mm	1
S4		8
S6		2
S7		2
F7		6

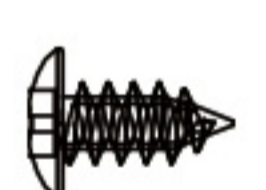


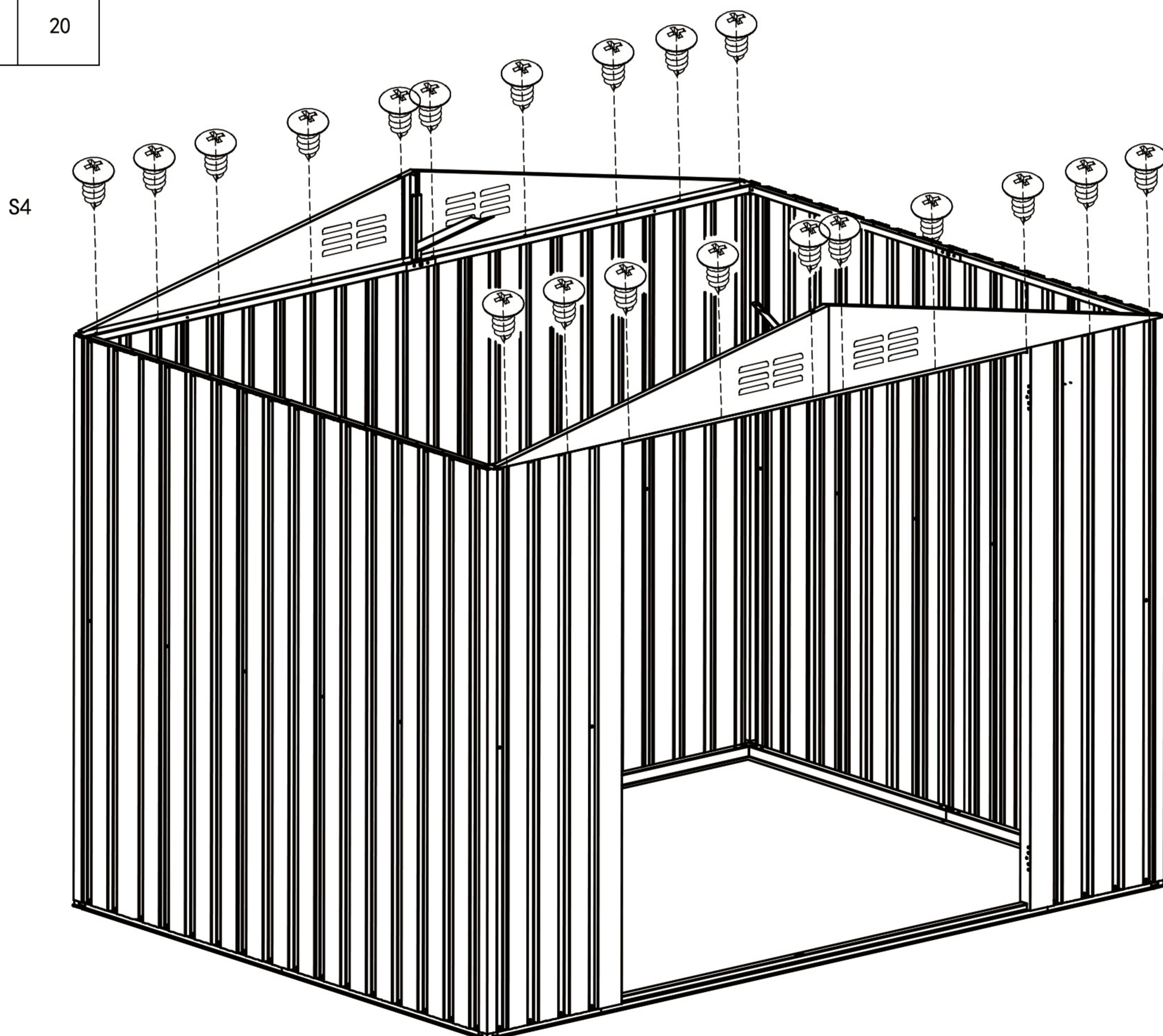
# STEP 15

NO.	PART.	Qty.
10F	 353mm	1
10B	 353mm	1
11L	 230mm	2
11R	 230mm	2
21L		2
21R		2
S6		4
S7		4


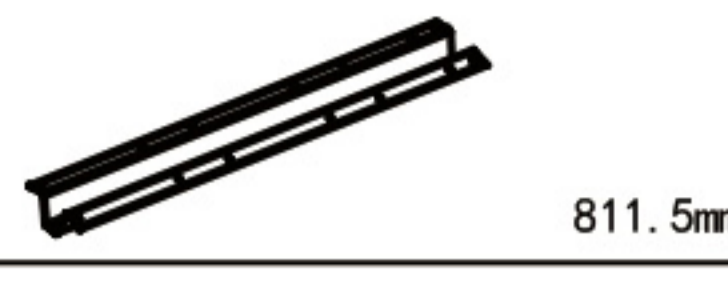




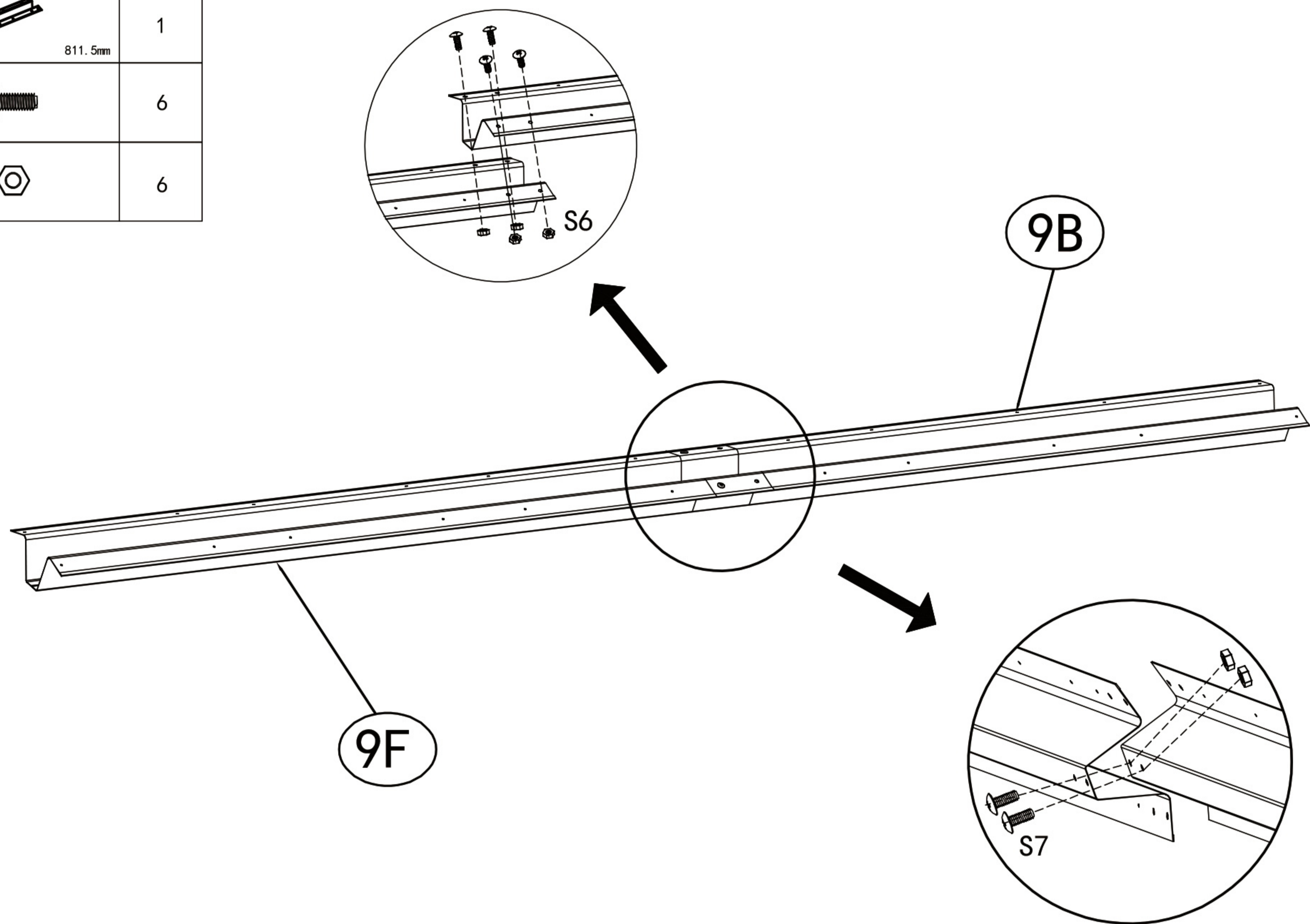
# STEP 16

NO.	PART.	Qty.
S4		20




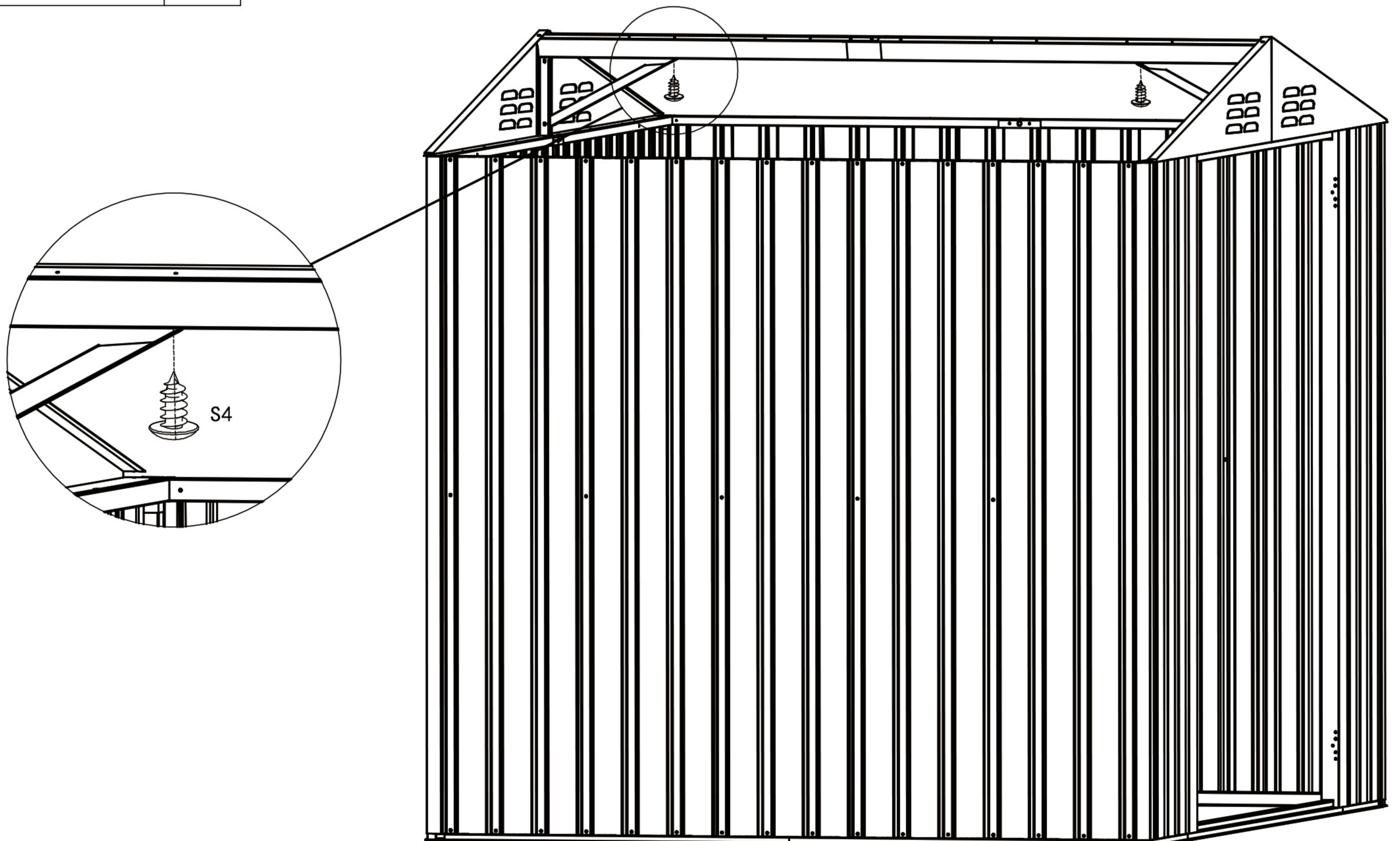
# STEP 17

NO.	PART.	Qty.
9F	 998.5mm	1
9B	 811.5mm	1
S6		6
S7		6







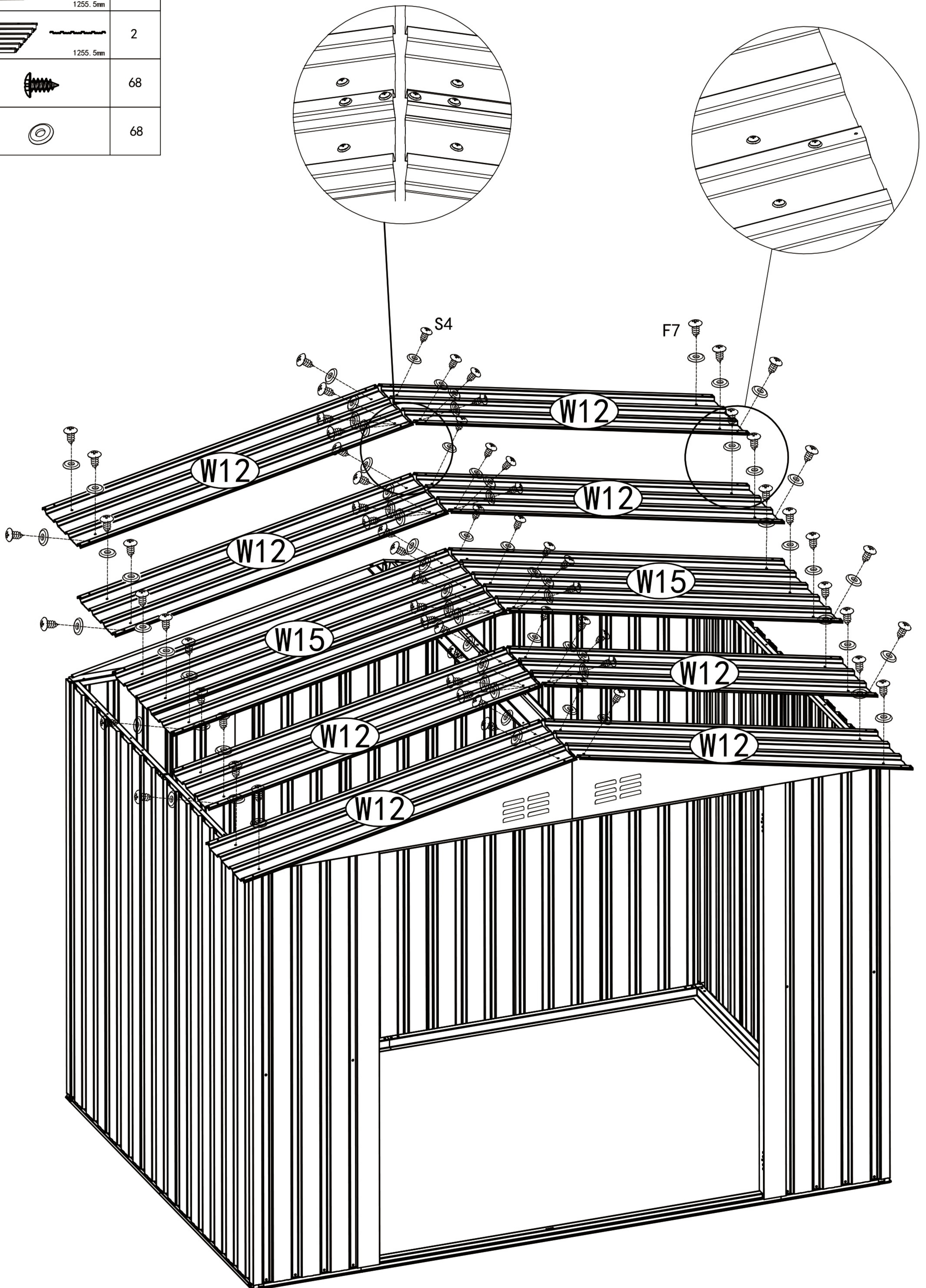
# STEP 18

NO.	PART.	Qty.
S4		2






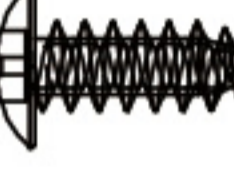




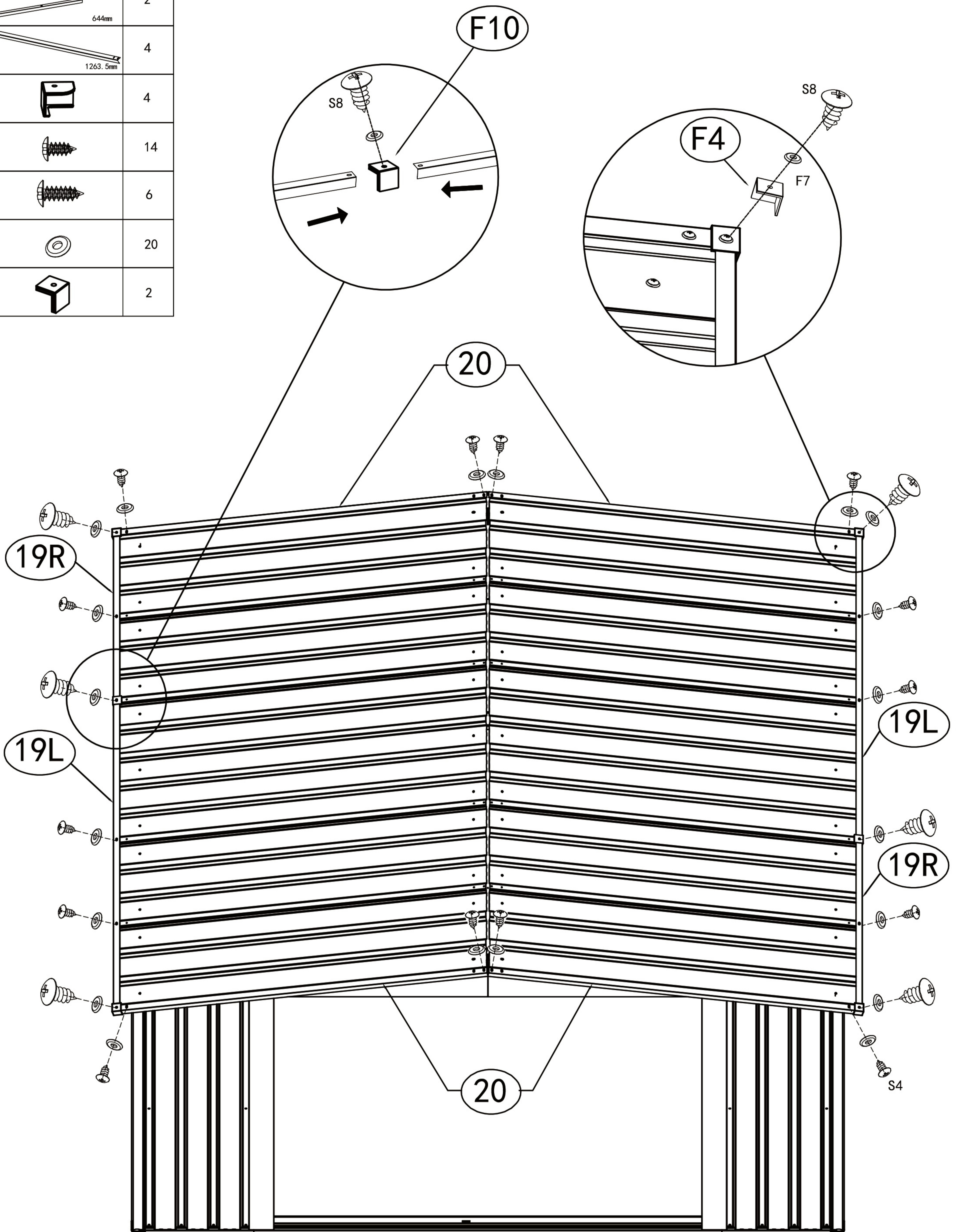
# STEP 19

NO.	PART.	Qty.
W12	 1255.5mm	8
W15	 1255.5mm	2
S4		68
F7		68




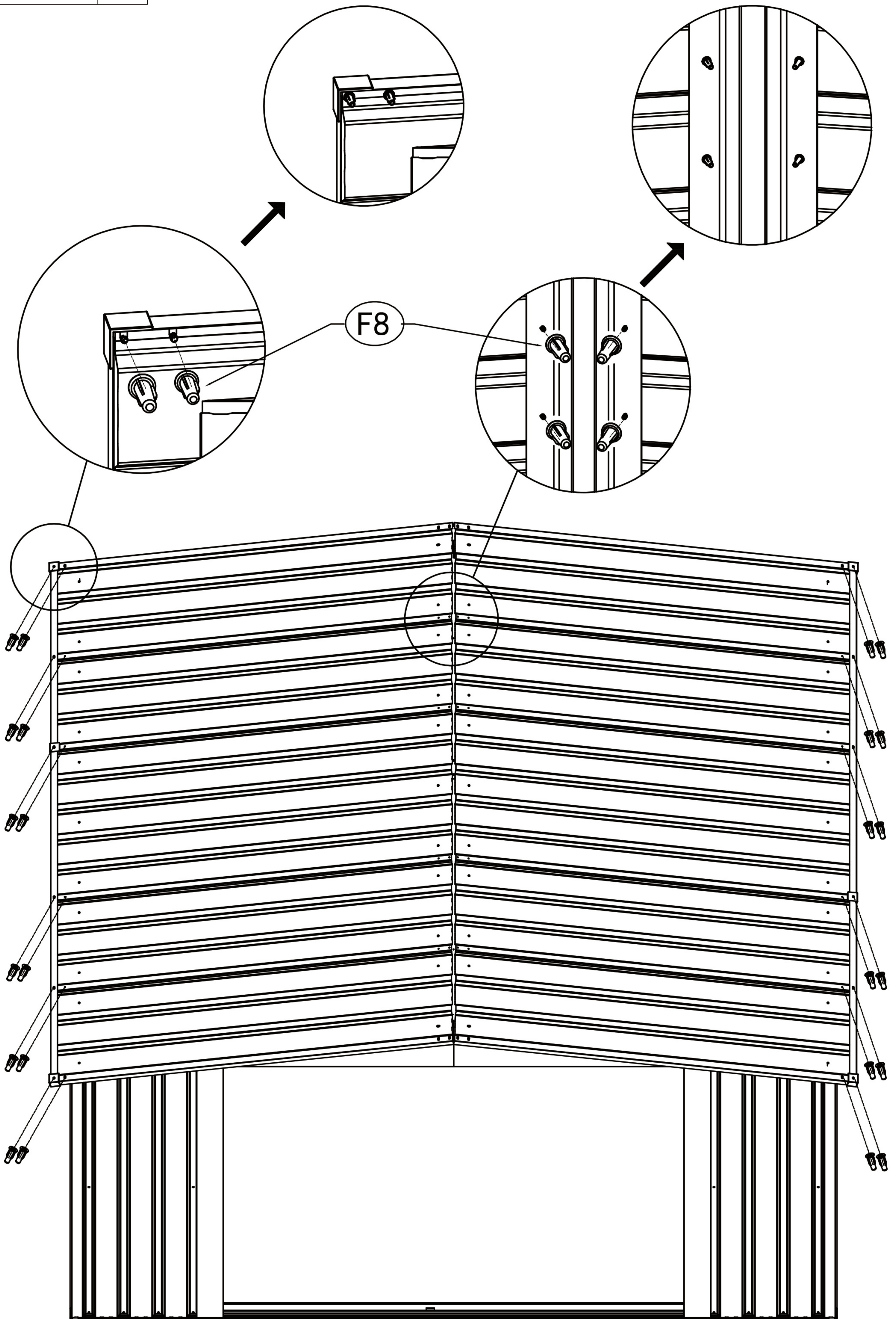
# STEP 20

NO.	PART.	Qty.
19L	 1179mm	2
19R	 644mm	2
20	 1263.5mm	4
F4		4
S4		14
S8		6
F7		20
F10		2


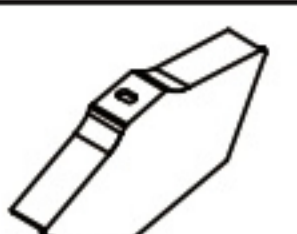






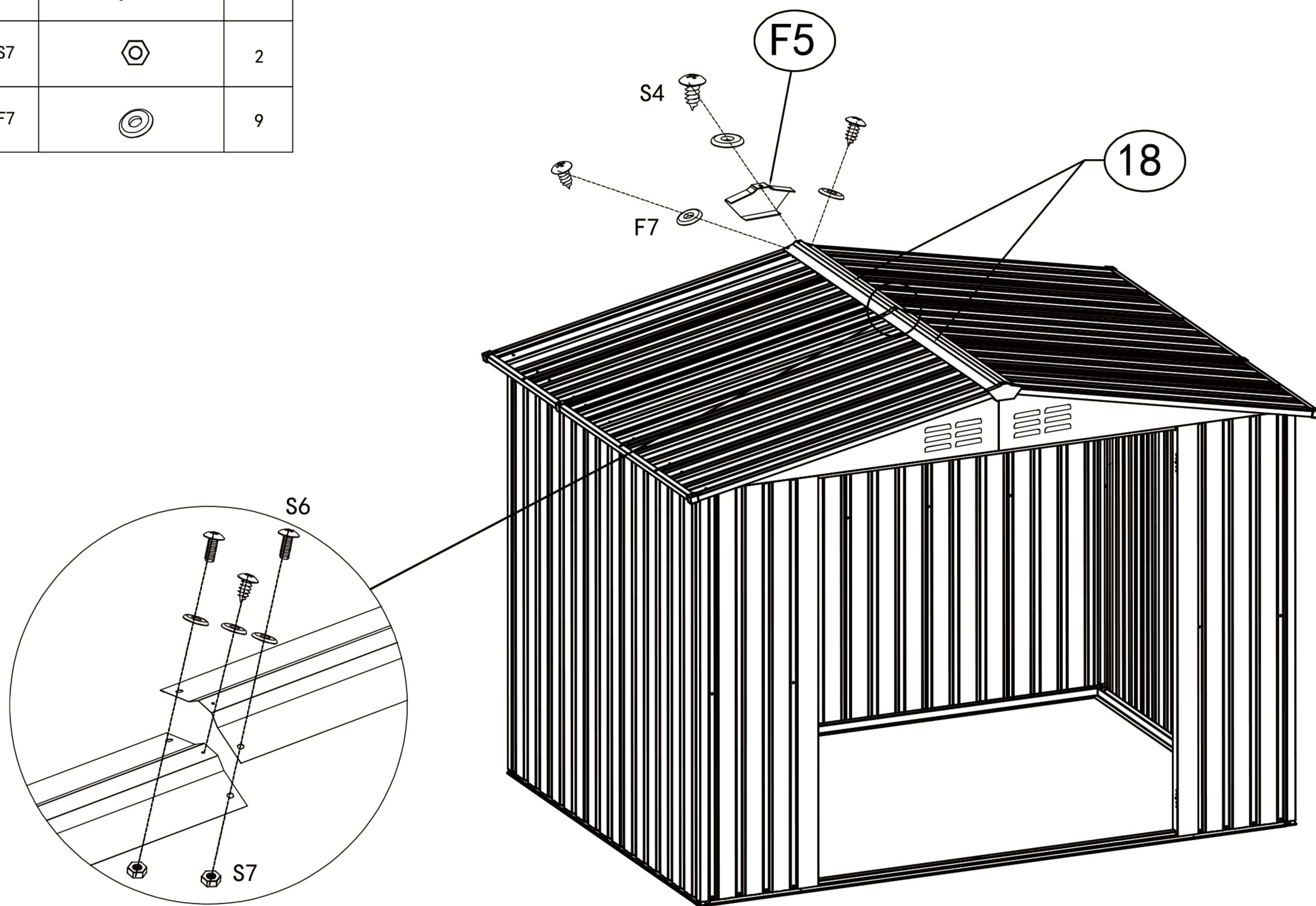
# STEP 21

NO.	PART.	Qty.
F8		46








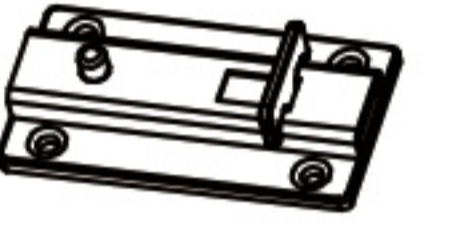





# STEP 22

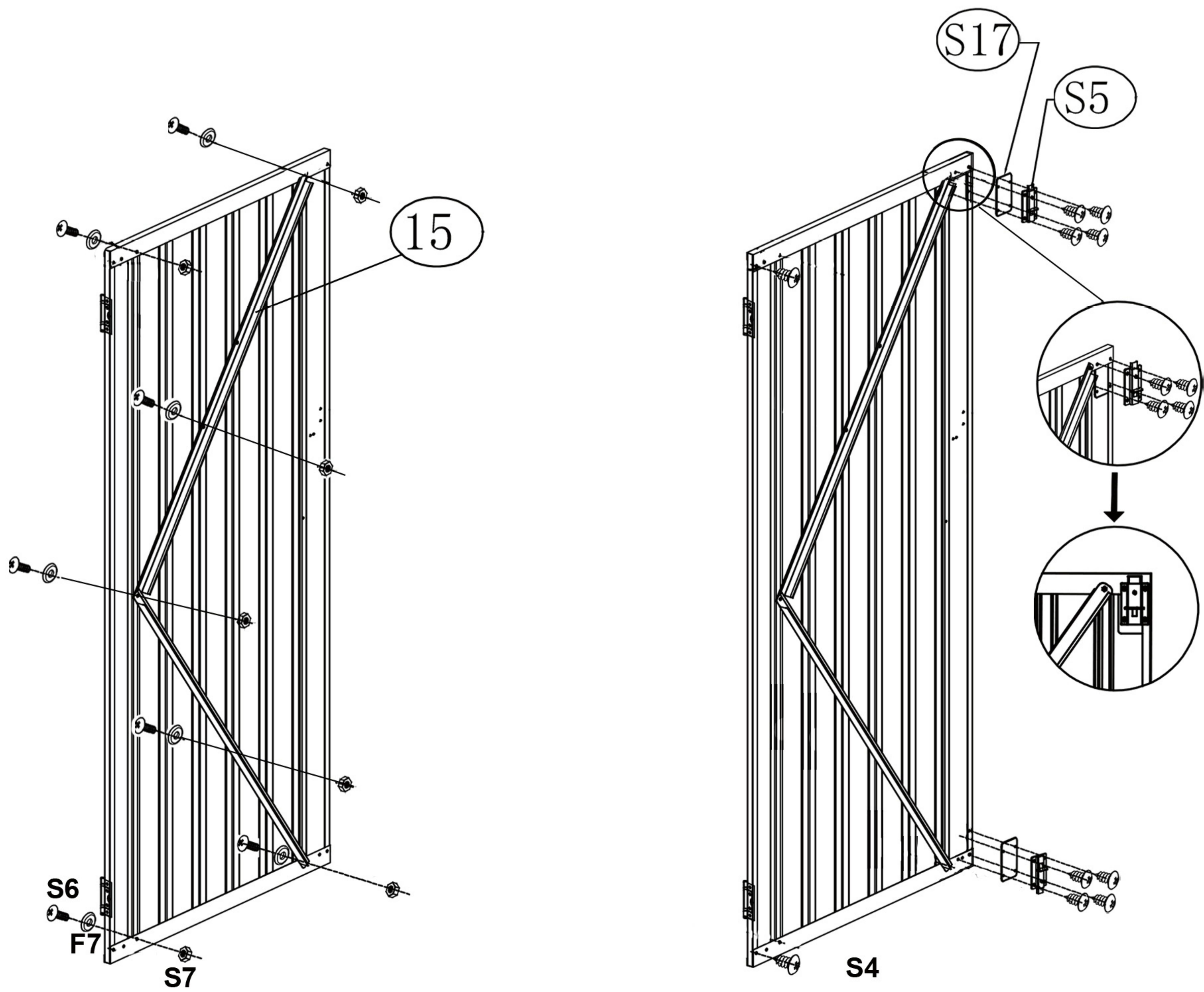
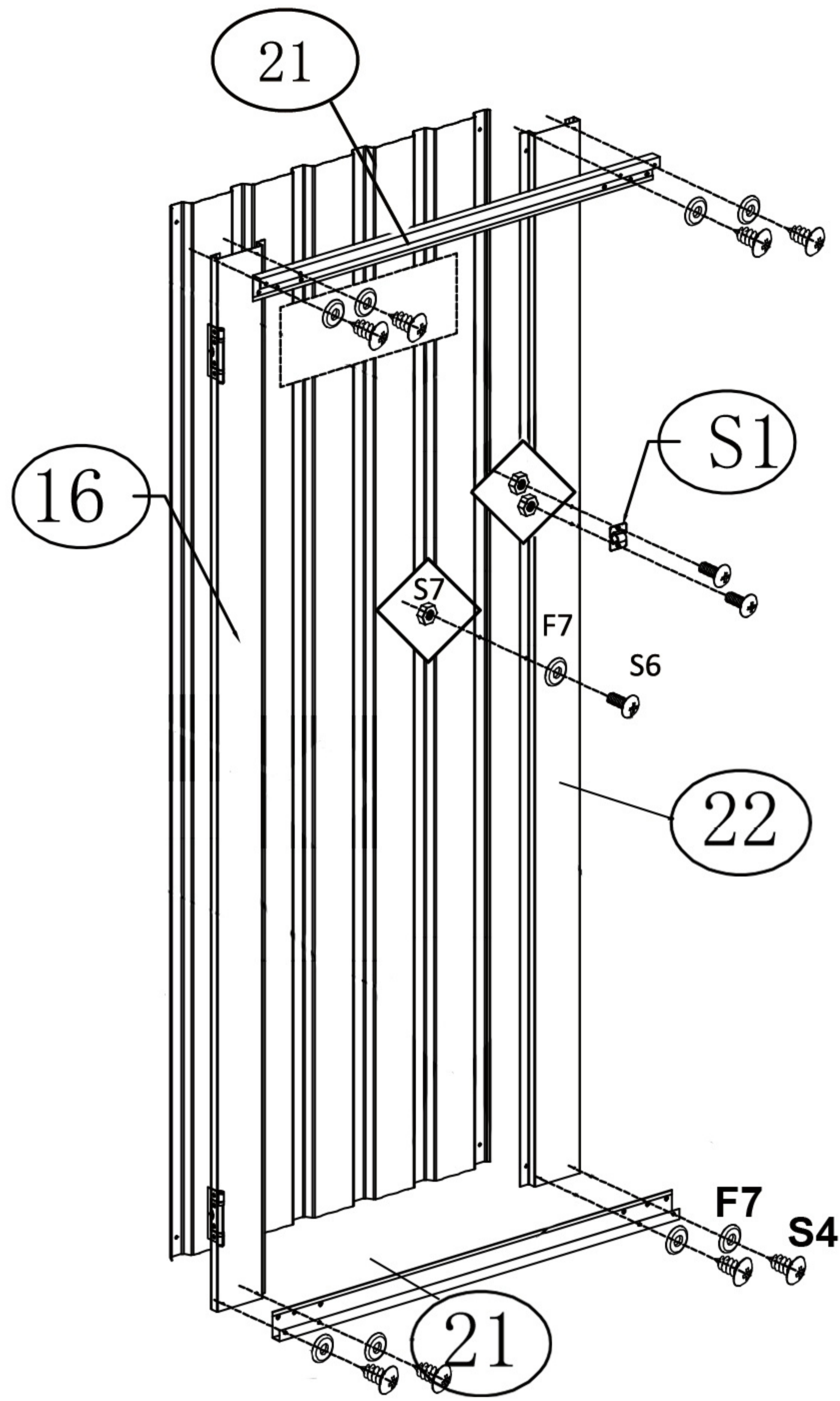
NO.	PART.	Qty.
18	 929.5mm	2
F5		2
S4		7
S6		2
S7		2
F7		9



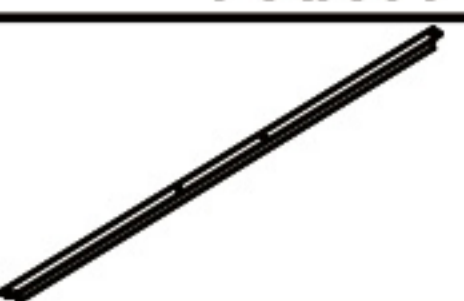


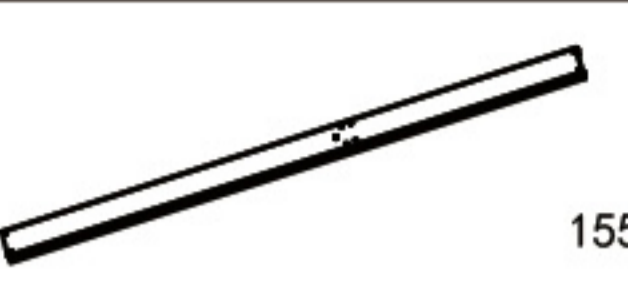

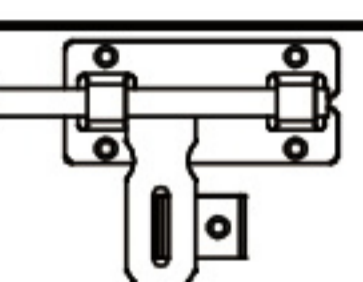
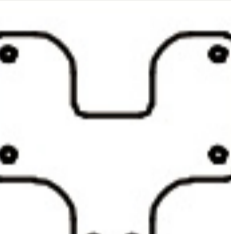

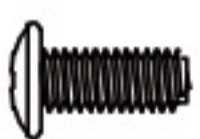


# STEP 23

NO.	PART.	Qty.
15	 940.9mm	2
16	 1555mm	1
21	 705mm	2
22	 1555mm	1
M1	 1553mm	1
S1		1
S4		12
S5		2
S6		12
S7		12
F7		16

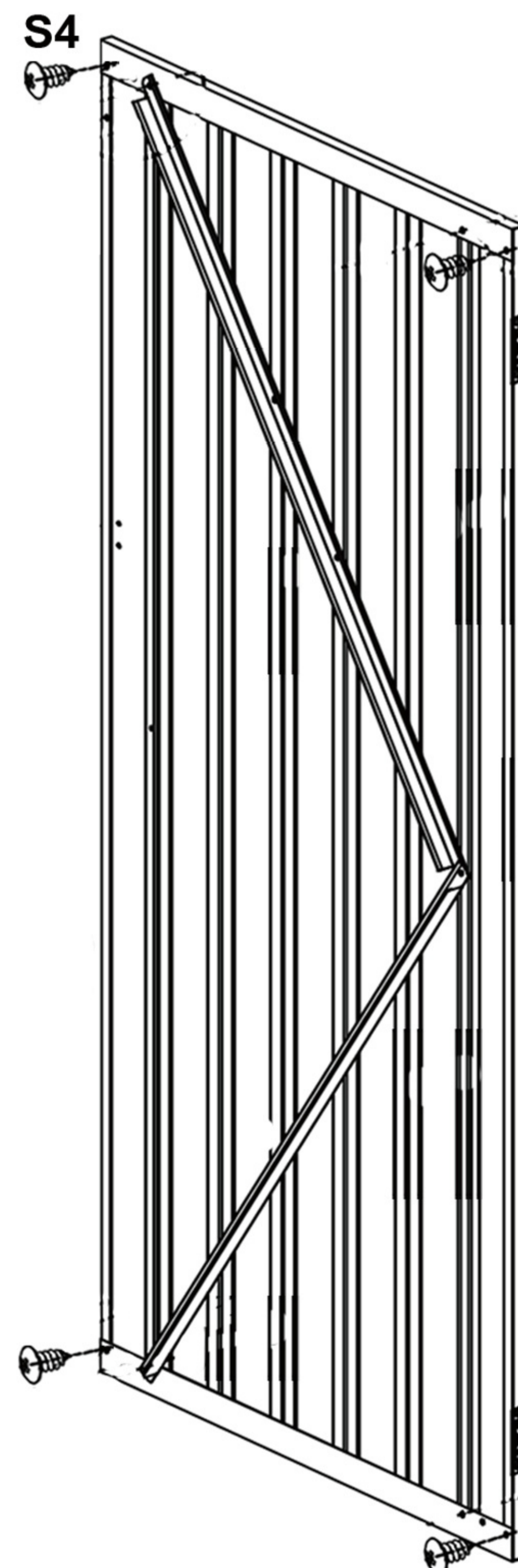
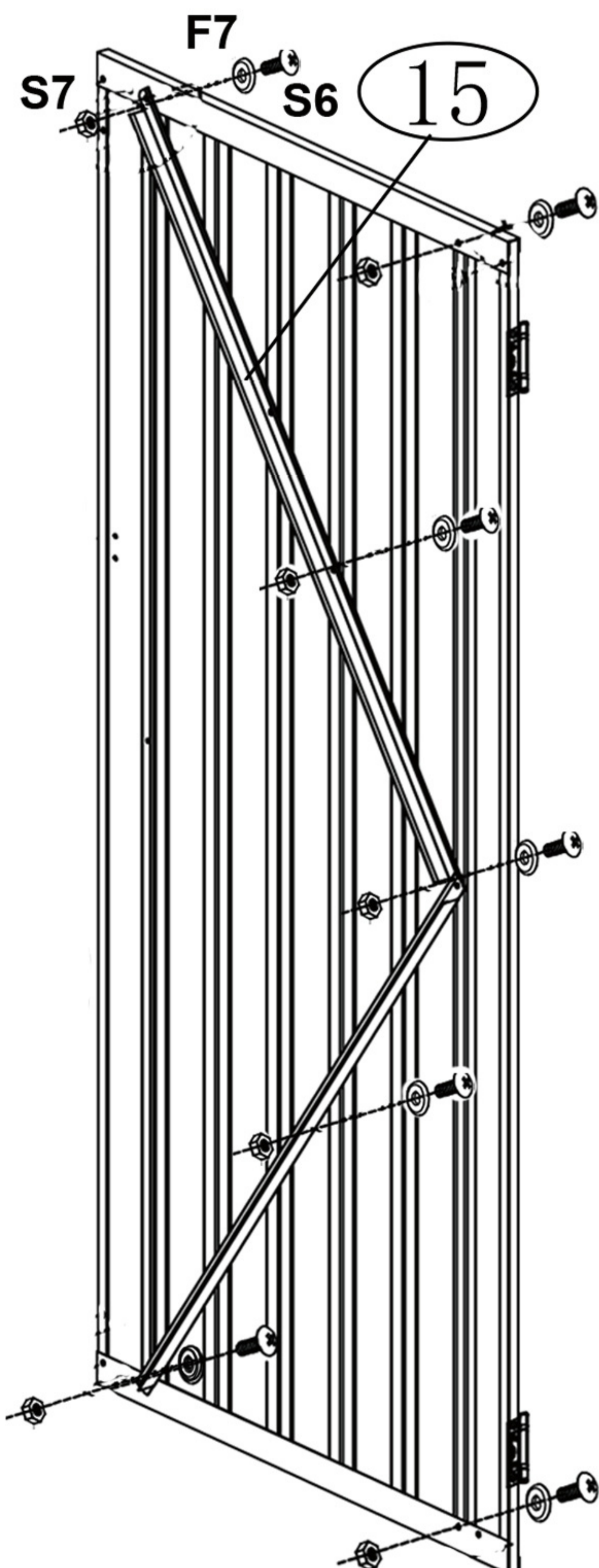
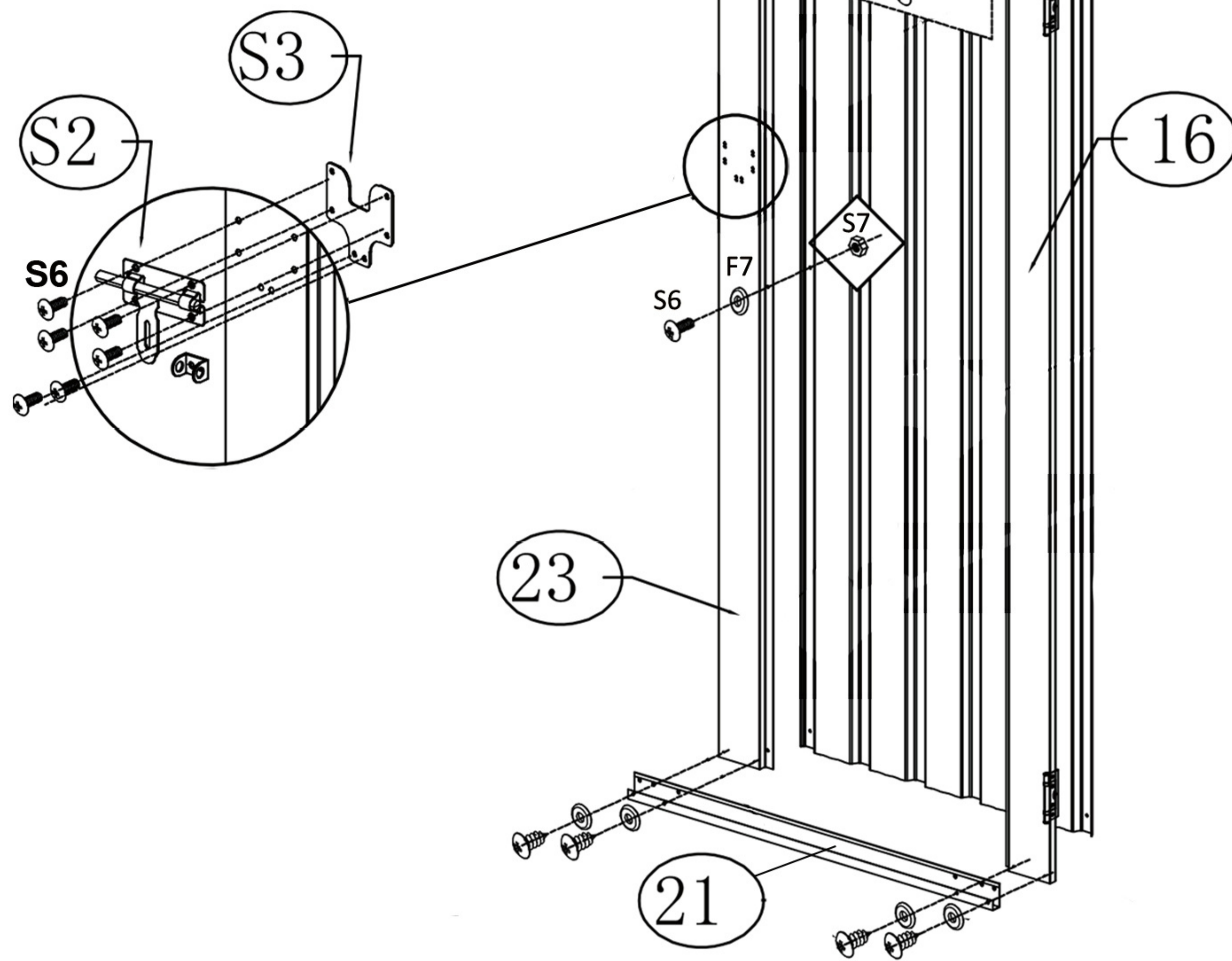
Left





# STEP 24

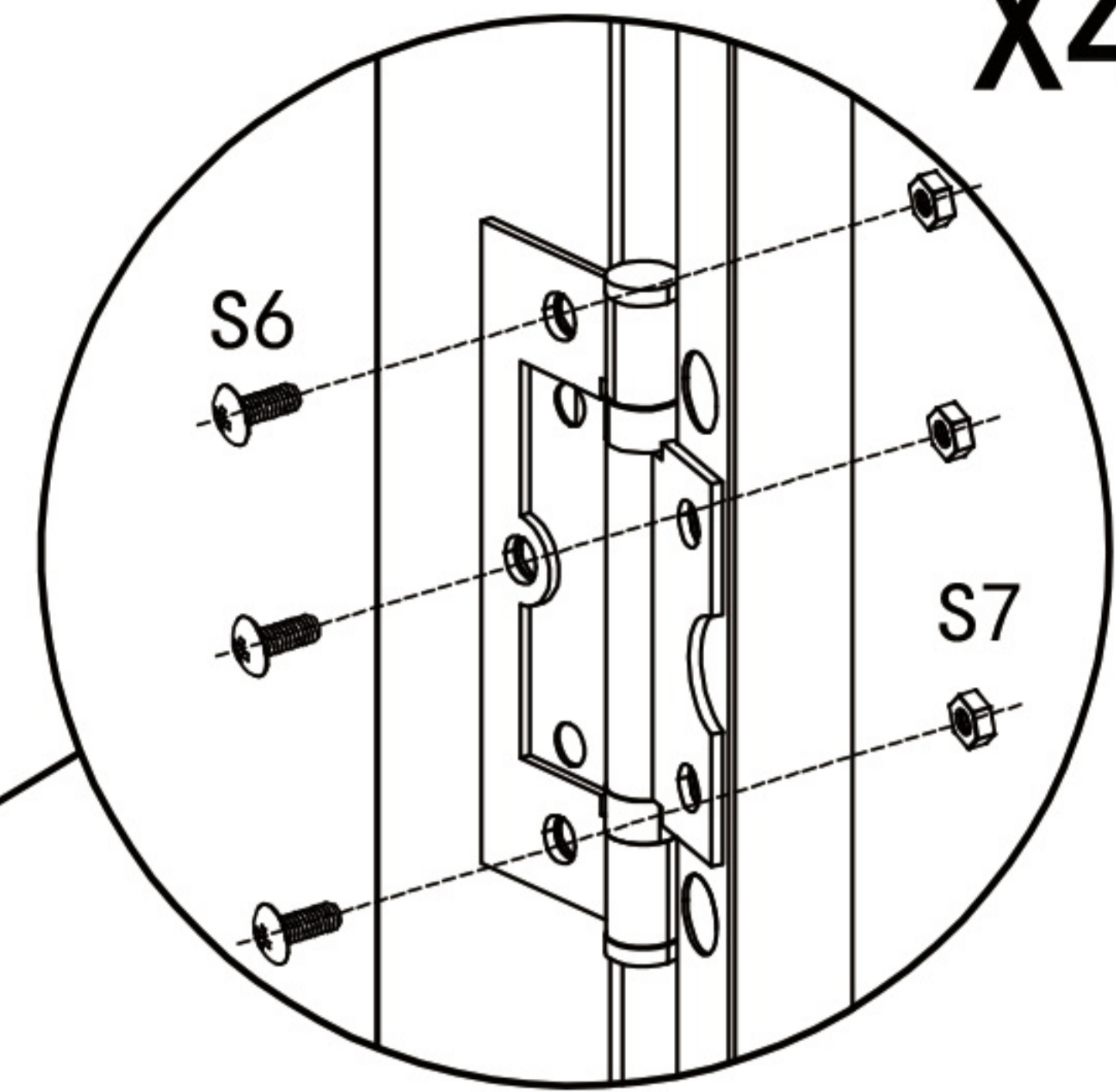
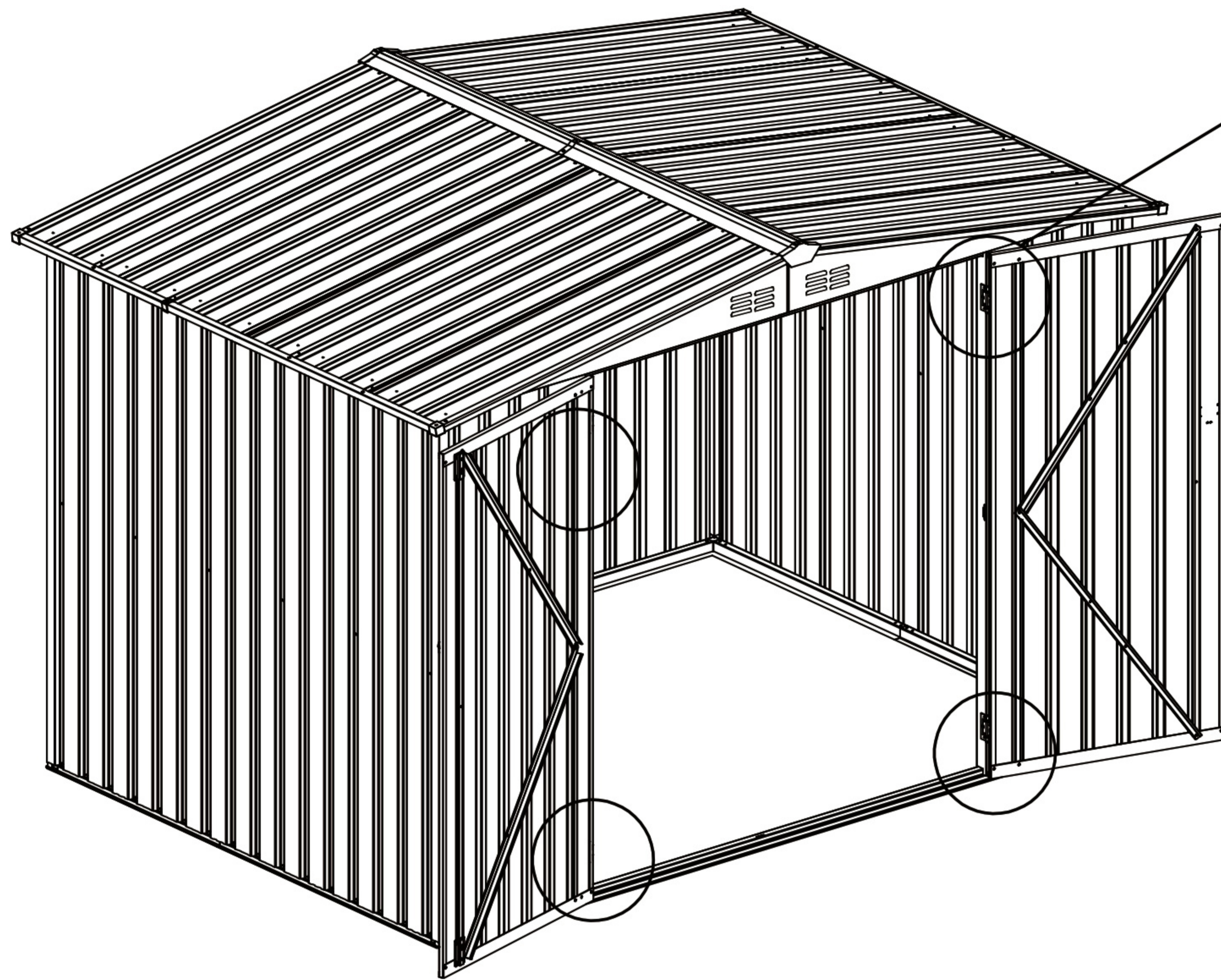
NO.	PART.	Qty.
15	 940.9mm	2
16	 1555mm	1
21	 705mm	2
23	 1555mm	1
M1	 1553mm	1
S2		1
S3		1
S4		12
S6		14
S7		8
F7		16

Right



# STEP 25

NO.	PART.	Qty.
S6		12
S7		12



# STEP 26

NO.	PART.	Qty.
S9		4

