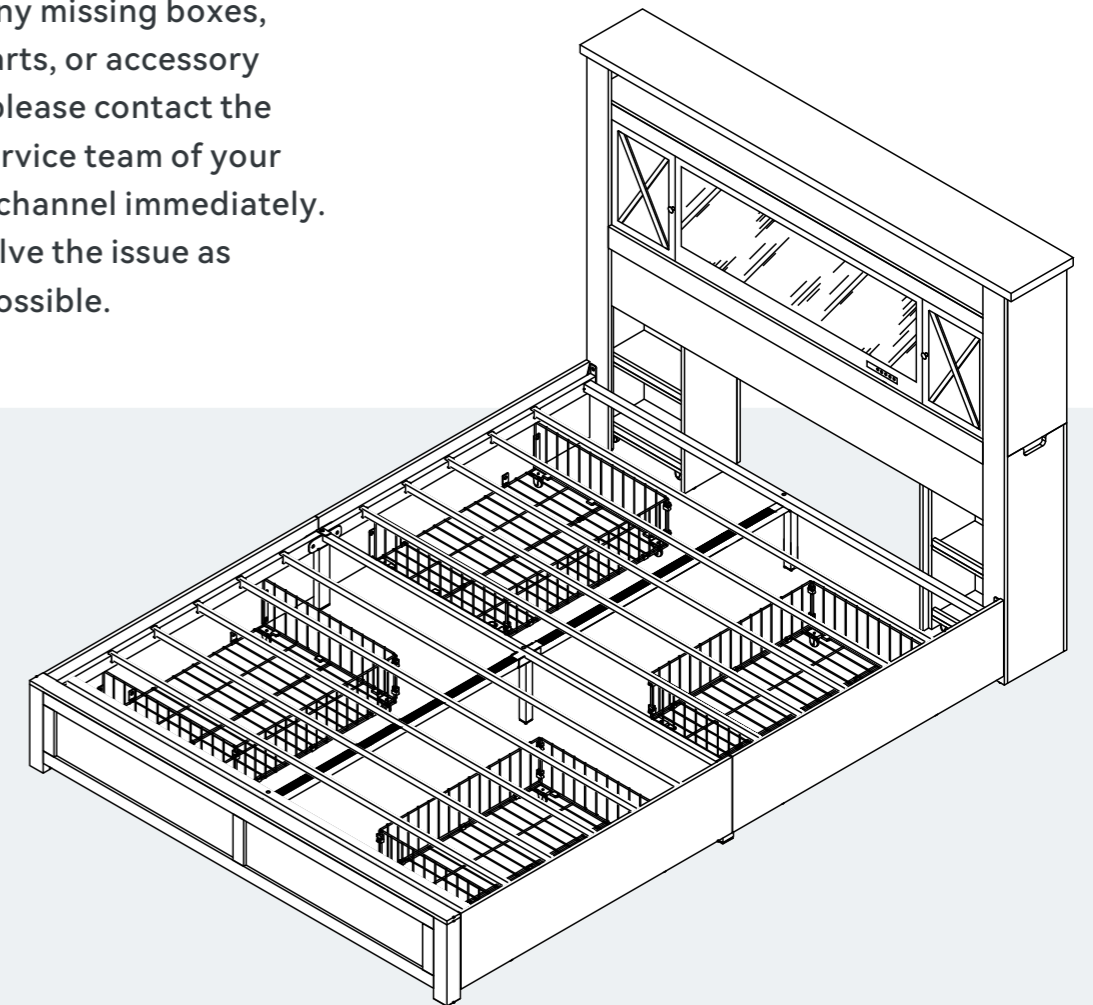


Bed

Assembly Instruction – Please keep properly for future reference.

If you find any missing boxes, damaged parts, or accessory shortages, please contact the customer service team of your purchasing channel immediately. We will resolve the issue as quickly as possible.



CONTACT US

- In order to receive assistance more quickly, please provide

THE FOLLOWING INFORMATION:

- Order number
- Purchase platform
- Purchase date
- Detailed description of the issue along with photos (if applicable)

Important – Please read these instructions carefully before starting the installation.

Before Assembly



Thank you for choosing this product!

To ensure safe use and long-term maintenance, please read this manual carefully and keep it properly for future reference.

Packaging Notice:

1. Multi-Box Shipping Notice

This product is packaged in 2 separate boxes for shipping and may arrive in batches at different times. To ensure a smooth assembly process, please make sure all boxes are received before unpacking and starting the installation.

2. Box and Packaging Verification

Each box is labeled with a corresponding number. Please refer to the packing list on the next page of this manual to verify that all boxes have been received.

If you find any missing boxes, damaged parts, or accessory shortages, please contact the customer service team of your purchasing channel immediately. We will resolve the issue as quickly as possible.

Important Notice:

- To ensure a smooth and successful installation, please read this guide carefully. It provides essential information about the required tools, materials, and assembly steps. Follow the instructions in each section to avoid any issues caused by improper installation.
- Please review all operational and safety guidelines to ensure proper and secure assembly.
- This guide reflects the most current product information available at the time of printing. We reserve the right to make changes to product features, packaging, or availability without prior notice.
- Before starting assembly, ensure that all necessary electrical and environmental preparations are completed.
- This manual contains important instructions regarding installation, cleaning, and maintenance. Please read it thoroughly and keep it for future reference.

Safety Warnings



1. Follow Warning Labels

Do not remove, alter, or obscure any warning labels on the product or packaging. Always adhere to the displayed safety instructions to ensure proper usage.

2. Conduct Regular Inspections

Periodically inspect all components to ensure they are properly installed, undamaged, and securely fastened. Report any issues to customer support immediately.

3. Practice Safe Usage

Avoid playing, jumping, or engaging in activities on or under the bed, as this may cause injury or structural damage.

4. Beware of Rope Hazards

Do not attach ropes, hooks, straps, or any non-designated accessories to any part of the bed, as this may pose a safety hazard.

5. Keep This Manual for Reference

Store this manual in a safe and accessible place for future reference.

6. Safety is a Shared Responsibility

Ensuring safety is a joint responsibility between the manufacturer and the user. Please follow all safety precautions during assembly and use.

Disclaimer

We are committed to delivering safe, high-quality, and reliable products to our customers. If you have any questions, concerns, or require further assistance, please contact our customer service team without hesitation.

Safety Instructions / Warnings



Please read and follow all instructions carefully before installation and use.

WARNING:

Risk of electric shock – Do not open or disassemble electrical parts.

- Use only the power cord specifically provided for this product.
Plug rating: 110-240V~, 50/60Hz 1500W. USB output: DC 5V / 2A, 3W/m.
- Do not use with damaged power cords or plugs.
- Keep power cables away from moving or sharp parts of the furniture.

- Do not use extension cords or power strips unless specifically approved for the load.
- This product is **not a toy**. Do not allow children to play with electrical components or moving parts.
- Children under 8 years old must be kept away from the furniture unless continuously supervised.
- Keep remote controls, control switches, and ports out of children's reach.
- Always **disconnect the product from power** before cleaning, maintenance, or relocation.
- Do not attempt to open, modify, or repair electrical components.
- **Repairs must be performed by qualified professionals only.**
- Do not insert any foreign objects into openings or mechanisms.
- Clean with a dry cloth or a slightly damp soft cloth. Do not use solvents.
- This product is intended **for indoor** use only in dry environments.
- Do not expose the furniture to moisture, liquids, or direct sunlight.
- * Ensure stability and clearance around any moving parts (e.g., lift mechanisms, recliners).
- Do not overload power outlets or USB ports beyond the specified ratings.
- **Always unplug the product when it is not in use.**

FCC Information:

CAUTION: Changes or modifications not expressly approved by the party responsible for compliance could void the user's authority to operate the equipment!

This device complies with Part 15 of the FCC Rules. Operation is subject to the following two conditions:

- 1) This product may cause harmful interference.
- 2) This product must accept any interference received, including interference that may cause undesired operation.

WARNING: Changes or modifications to this product not expressly approved by the party responsible for compliance could void the user's authority to operate the product.

Note: This product has been tested and found to comply with the limits for a Class B digital device pursuant to Part 15 of the FCC Rules, These limits are designed to provide reasonable protection against harmful interference in a residential installation.

This product generates, uses and can radiate radio frequency energy, and if not installed and used in accordance with the instructions, may cause harmful interference to radio communications. However, there is no guarantee that interference will not occur in a particular installation. If this product does cause harmful interference to radio or television reception, which can be determined by turning the product off and on, the user is encouraged to try to correct the interference by one or more of the following measures.

- Reorient or relocate the receiving antenna.
- Increase the distance between the product and receiver.
- Connect the product to an outlet on a circuit different from that to which the receiver is connected.
- Consult the dealer or an experienced radio/TV technician for assistance.

Maintenance and Care Recommendations



1. Regular Cleaning

To maintain hygiene and prevent bacterial growth, clean the product regularly. Use a damp, well-wrung cloth to avoid excess moisture and prevent surface scratches.

2. Prevent Corrosion

Keep the product away from acidic or alkaline substances, as they may cause corrosion or damage to the materials.

3. Use Only Authorized Replacement Parts

Do not use unauthorized or third-party replacement parts, as they may compromise the product's safety and durability. If a replacement is needed, contact the manufacturer or an authorized dealer for approved parts.

4. Cleaning Precautions

Do not machine wash or rinse any part of the product directly with water, as this may damage the materials and reduce product lifespan.

5. Prevent Pests

Keep wooden furniture away from damp or humid areas to prevent pest infestations and wood damage. Use a dehumidifier or air conditioner during humid seasons to maintain a dry environment.

6. Protect from Sunlight

Avoid placing furniture in direct sunlight, as prolonged exposure may cause cracking, discoloration, or fading. If sunlight exposure is unavoidable, use curtains or shades to minimize damage.

7. Keep Away from Fire

Position furniture away from heat sources and open flames to prevent damage and maintain its condition.

8. Perform Regular Care

Apply furniture oil periodically to maintain the wood's shine, prevent cracks, and extend its lifespan.

9. Clean Frequently

Regularly vacuum dust and debris, especially underneath furniture, to keep it clean and hygienic.

10. Maintain a Dry Environment

Ensure good ventilation to prevent moisture buildup, which can damage wood. Use a dehumidifier if necessary to protect the furniture.

11. Avoid Corrosive Liquids

Keep furniture away from acidic or alkaline substances, as these can damage the surface and reduce durability.

12. Use a Damp Cloth for Cleaning

Wipe furniture with a well-wrung damp cloth to prevent water damage or swelling. Avoid excessive moisture exposure.

13. Limit Sun Exposure

Excessive sunlight can dry out and weaken wood. Position furniture in shaded areas or use UV-blocking curtains to protect it from damage.

Customer Service Guide



Thank you for choosing our product! We are committed to providing you with excellent service. If you find any missing parts, damaged packaging, or product damage after receiving all packages, please follow the steps below to quickly contact our customer service team. We will do our best to resolve your issue.

1. Missing Parts

Verify Parts:

1. Refer to the “Parts List” in the manual to verify the name, specifications, and quantity of the missing parts.
2. Take a clear photo of the parts list and mark the missing parts with detailed information, e.g., “Missing 5 pieces of M6×30mm screws.”

Contact Us:

By Email:

Send an email with the subject line “Missing Parts Issue.” Include the following in the email:

- A description of the missing parts and a photo of the parts list.
- Order details (order number, purchase platform, purchase date).

2. Product or Packaging Damage

If it affects normal use:

Steps:

1. Take clear photos or videos showing the damaged parts and the extent of the damage (multi-angle shots are recommended).
2. Email the photos/videos along with order details with the subject line “Product Damage Issue.”

Resolution:

After verification, we will arrange for a replacement part, product exchange, or refund as quickly as possible.

If it does not affect normal use:

Steps:

1. Contact our customer service team .
2. Provide a description of the damage and include relevant photos or videos.

Resolution:

We will provide repair guidance or an appropriate compensation plan based on the specific situation.

Helpful Tips

To process your issue efficiently, please prepare the following information:

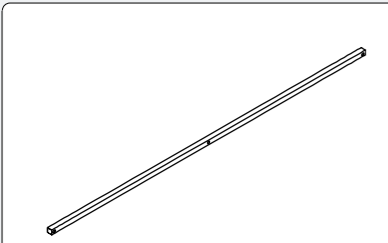
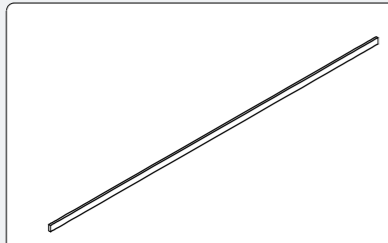
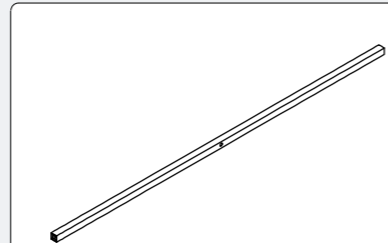
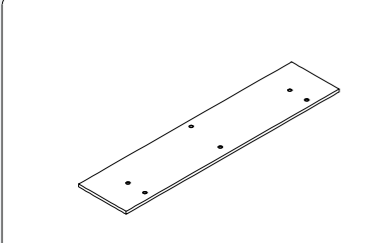
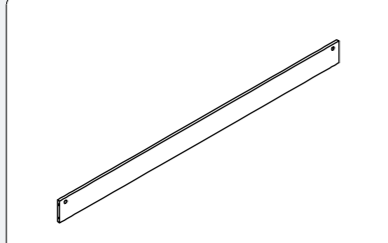
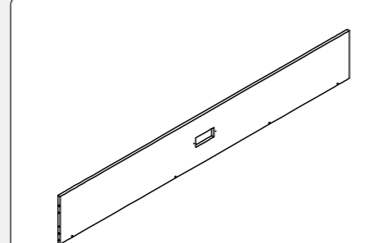
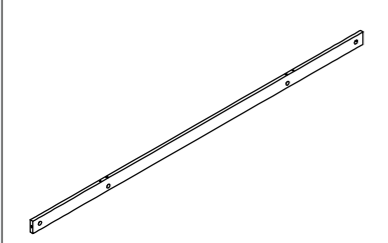
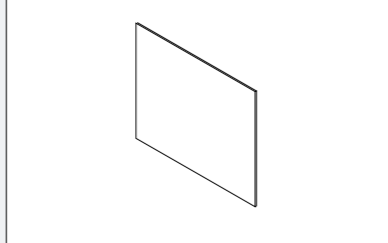
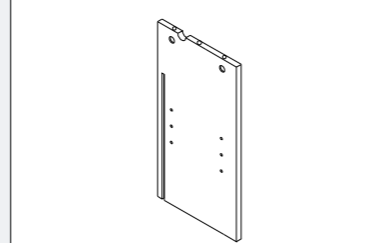
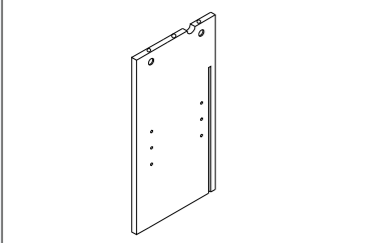
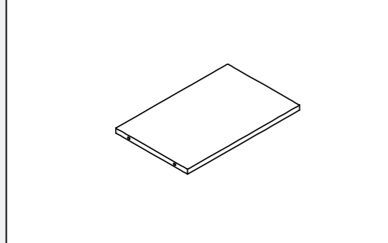
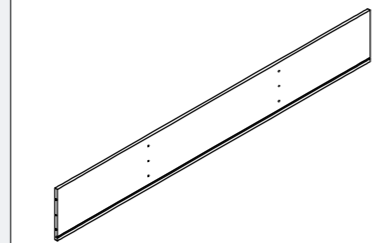
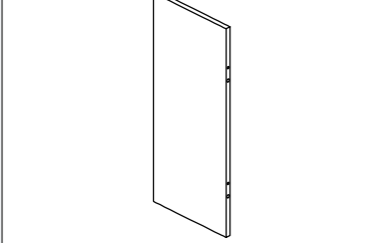
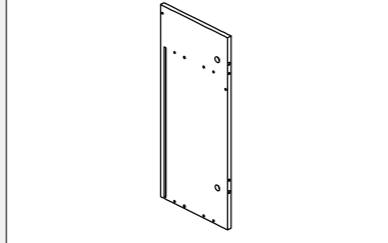
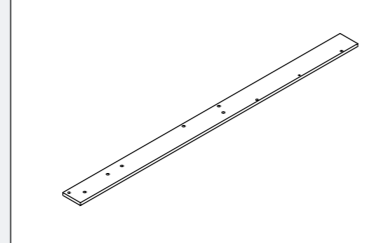
- Order details (order number, purchase platform, purchase date).
- Clear photos or videos.
- We are committed to providing quick and professional solutions, no matter the size of the issue, to ensure your satisfaction.

**Thank you for your trust and support!
We hope you enjoy using our product!**

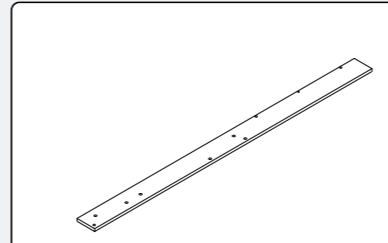
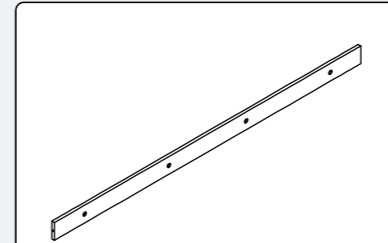
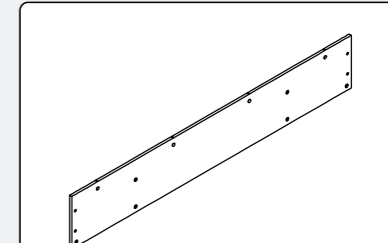
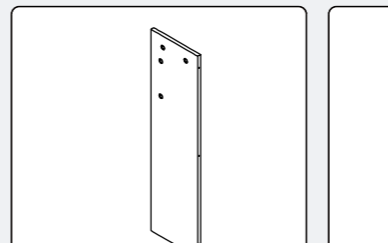
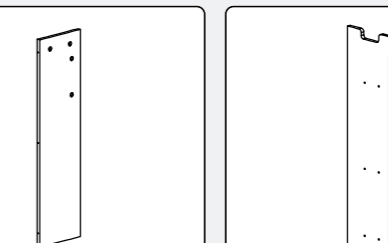
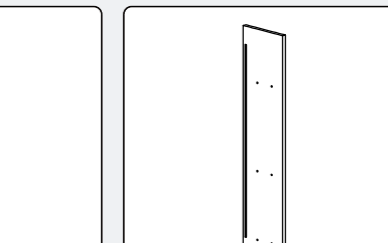
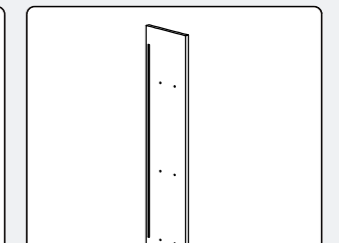
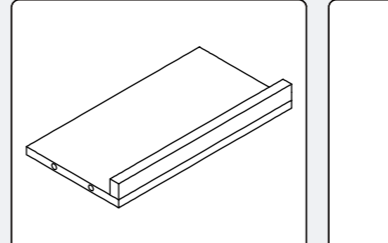
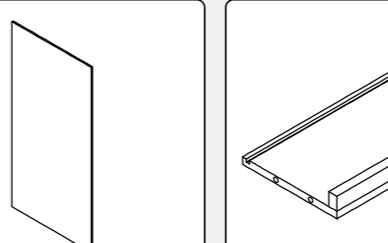
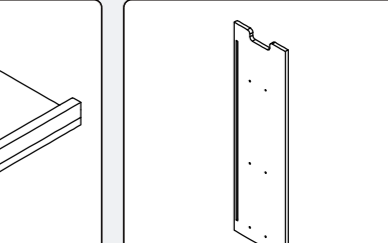
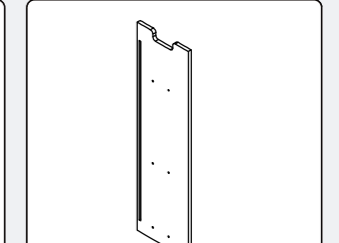
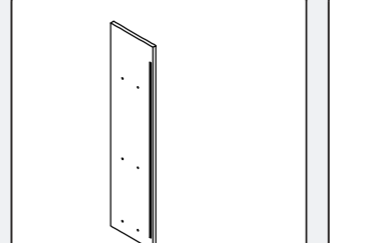
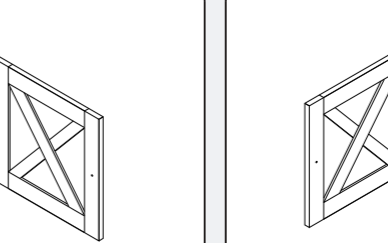
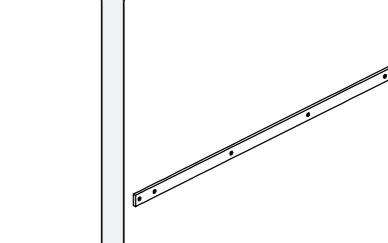
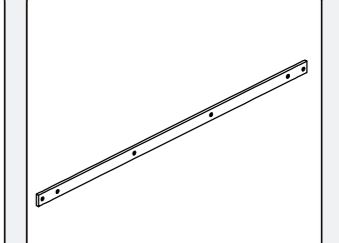
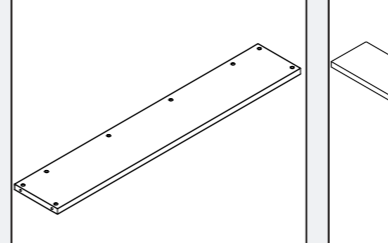
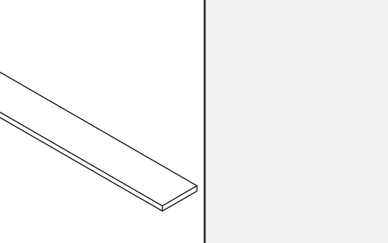
Parts List



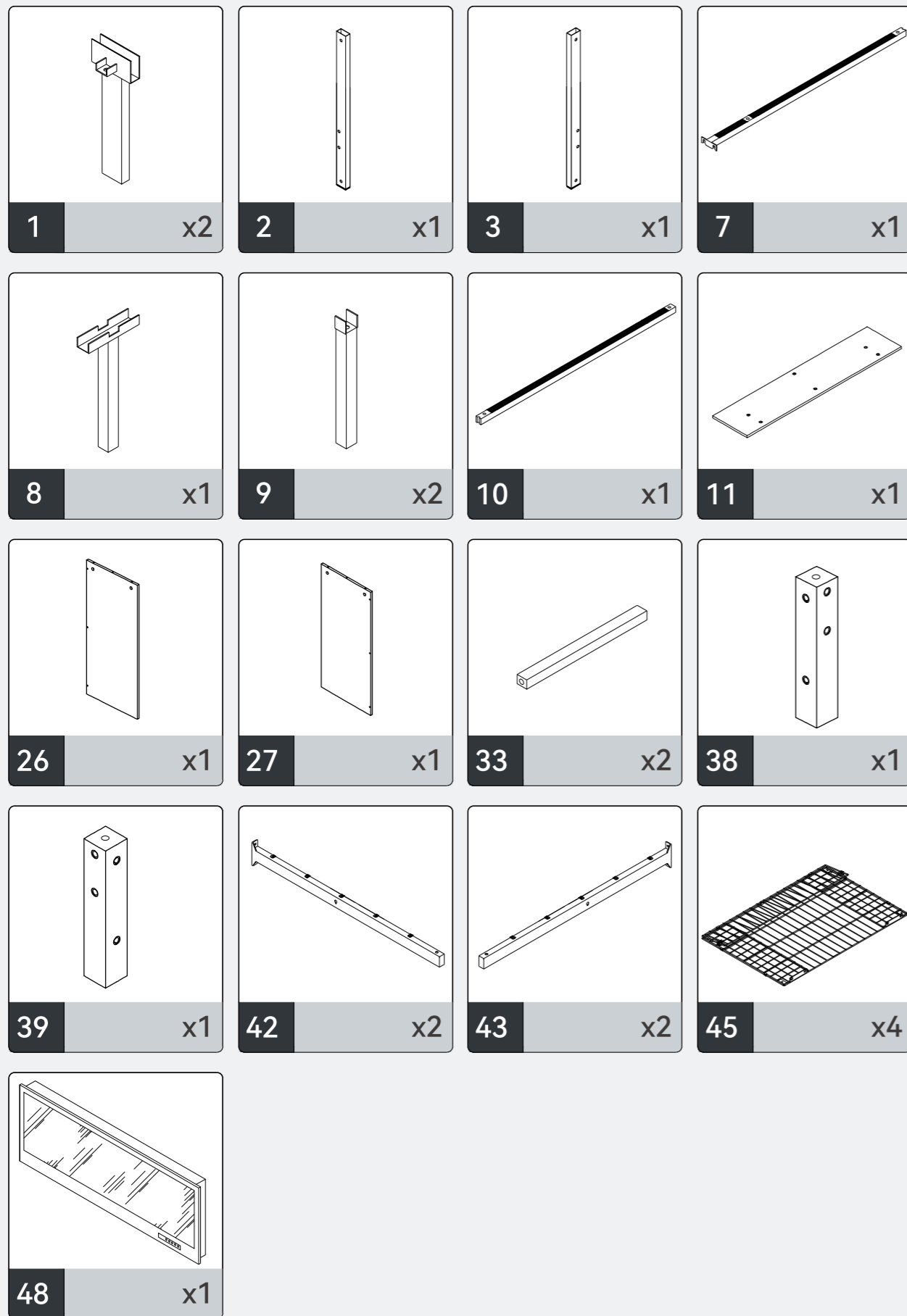
Box 1

		
4 x1	5 x10	6 x2
		
11 x3	12 x1	13 x1
		
14 x1	15 x2	16 x1
		
17 x1	18 x2	19 x1
		
20 x1	21 x1	22 x1

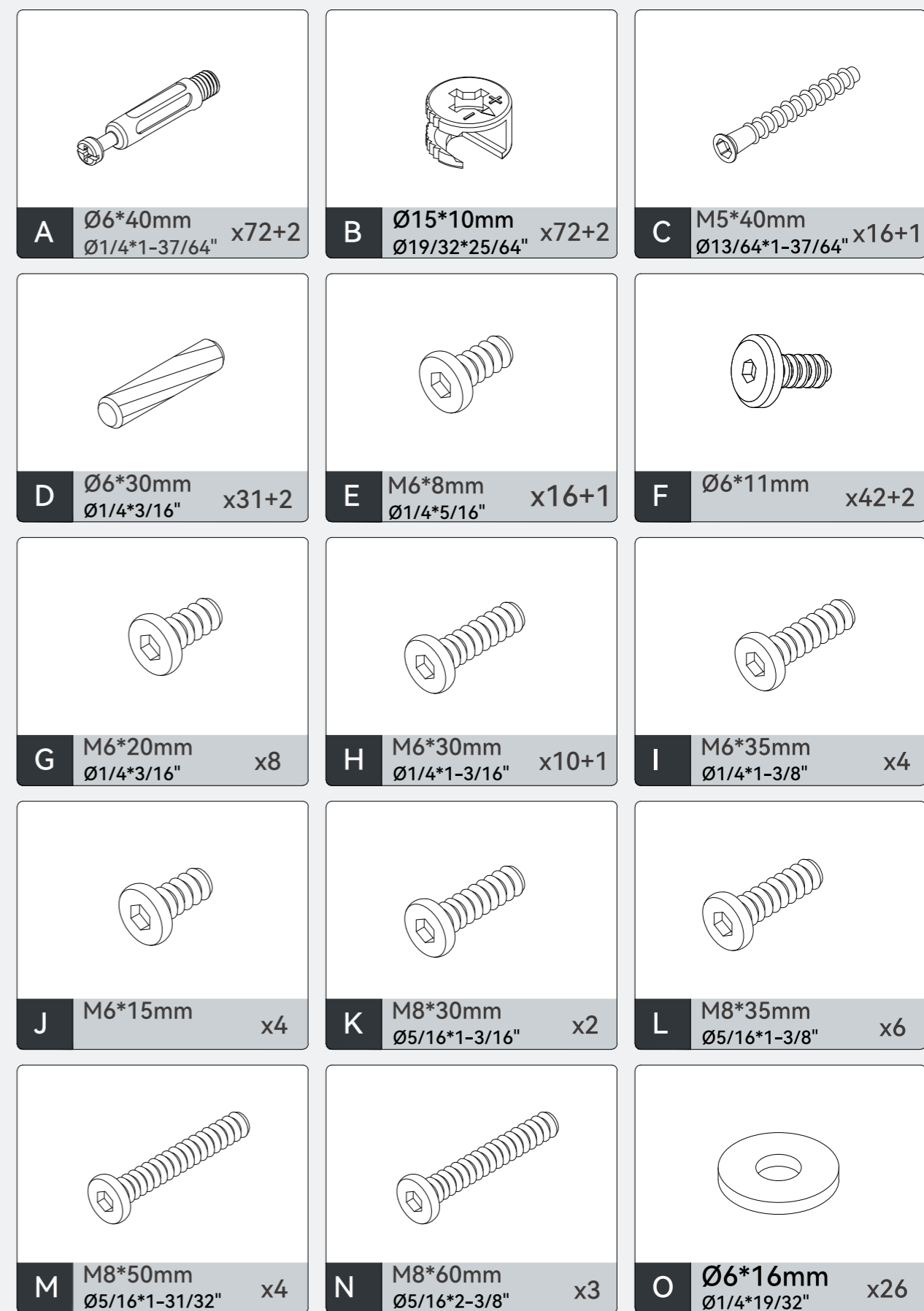
Box 1 continues

			
23 x1	24 x1	25 x1	
			
28 x1	29 x1	30 x1	31 x1
			
32 x4	34 x2	35 x2	36 x1
			
37 x1	46 x1	47 x1	40 x1
			
41 x1	44 x1		

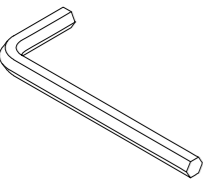
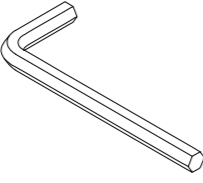
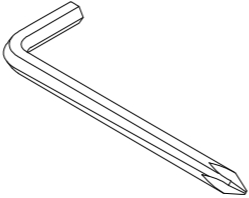
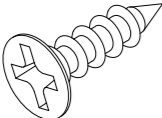
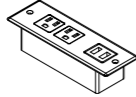
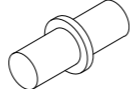
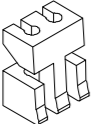
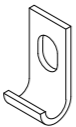
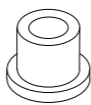
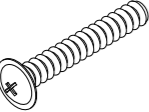
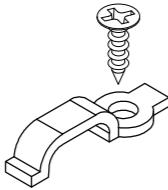
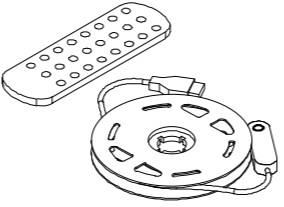

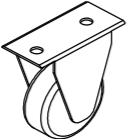
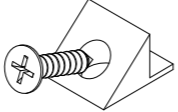
Box 2



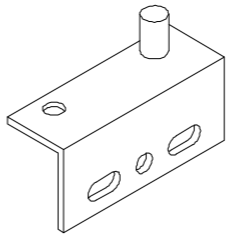
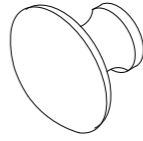
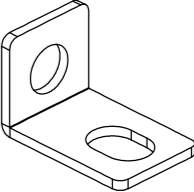
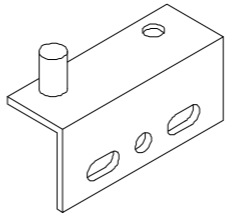
Hardware List (in Box 1)



Hardware List (in Box 1)

		
P M3 Ø1/8" x1	Q M4 Ø5/32" x1	R M5 Ø13/64" x1
		
S M3.5*12mm Ø9/64*15/32" x30+2	T x1	U x8
		
V x8	W x4	AI x4
		
Y M5*15mm Ø1/4*19/32" x2	Z x6	AA x1
		
AB x16+1	AC x8	AD x16+1

Hardware List (in Box 1)

		
AE x2	AF x2	AG x8
		
AH x2		

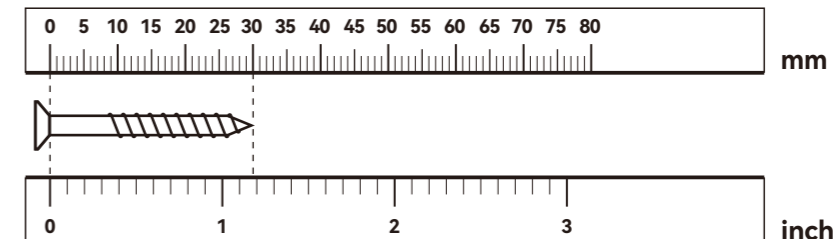
Tools required



Phillips screwdriver
(medium & large)

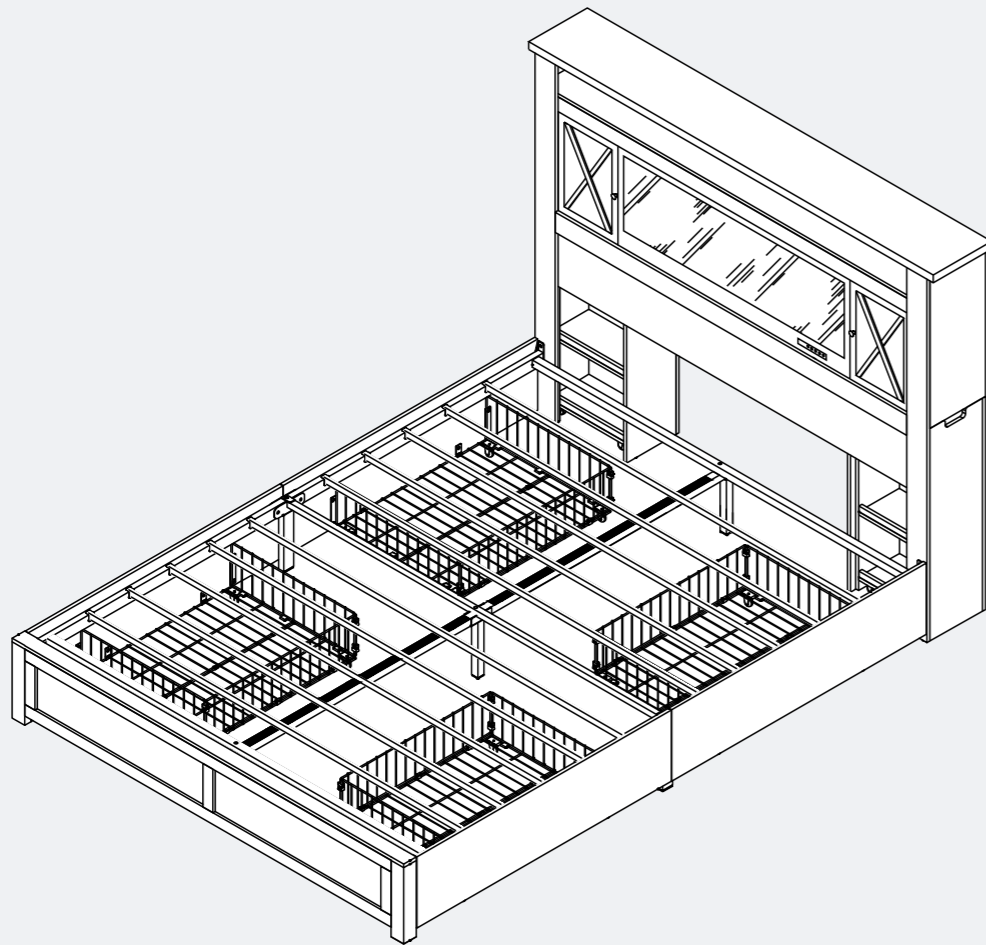
Ruler

Use this ruler to
help correctly
identify the screws



The screws length is measured from the head to the point
(30mm screw shown).

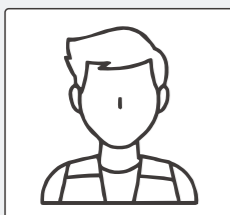
Queen size



Important:

In each of the previous steps, tighten all screws to approximately 70% to stabilise the overall frame during assembly. Do not fully tighten any screws until the final step is completed.

Tools & Equipment



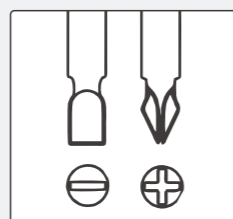
2 people needed



Work gloves

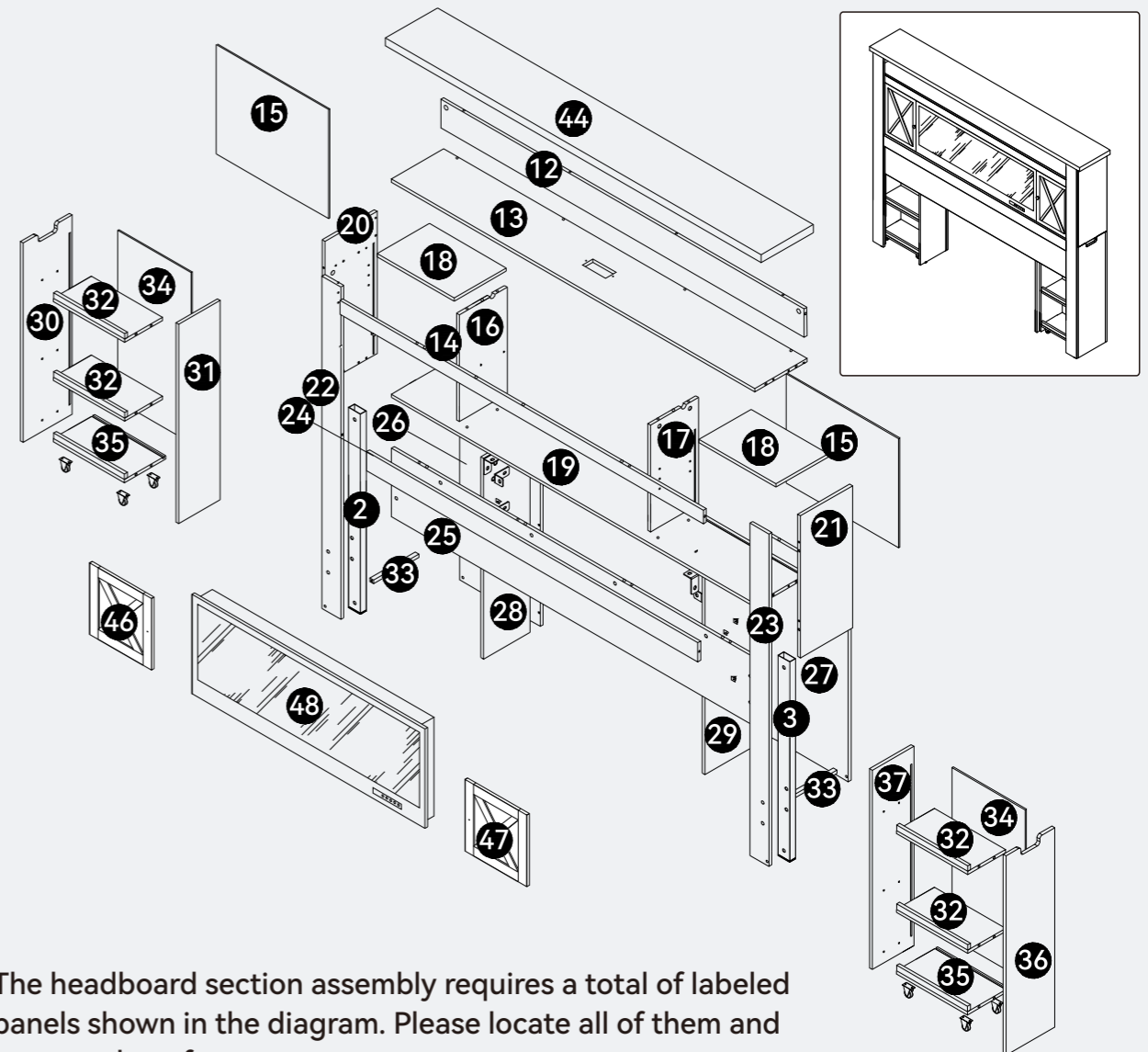


Tape measure



Other Tools Required
Phillips Screwdriver
(Not Included)

Headboard Section Installation



The headboard section assembly requires a total of labeled panels shown in the diagram. Please locate all of them and prepare them for use.

Hardware Accessory List

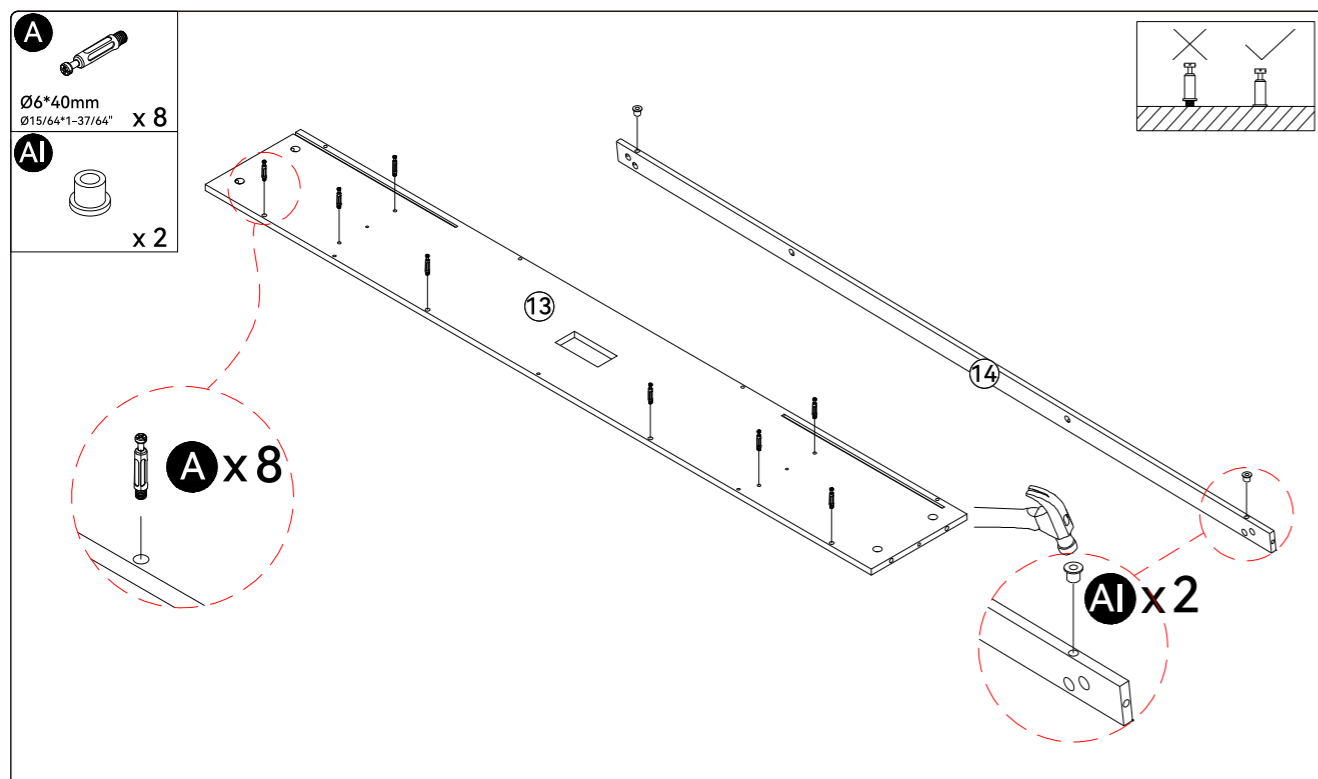
A	x 64	O	x 6	AA	x 1
B	x 64	S	x 30	AC	x 8
C	x 16	T	x 1	AD	x 16
D	x 26	U	x 8	AE	x 2
F	x 16	Y	x 2	AF	x 2
G	x 8	Z	x 6	AG	x 8
H	x 10	AI	x 4	AH	x 2

Note:

Ensure all hardware components are accounted for before beginning assembly. Missing or damaged hardware should be reported to customer service for replacement.

Step 1

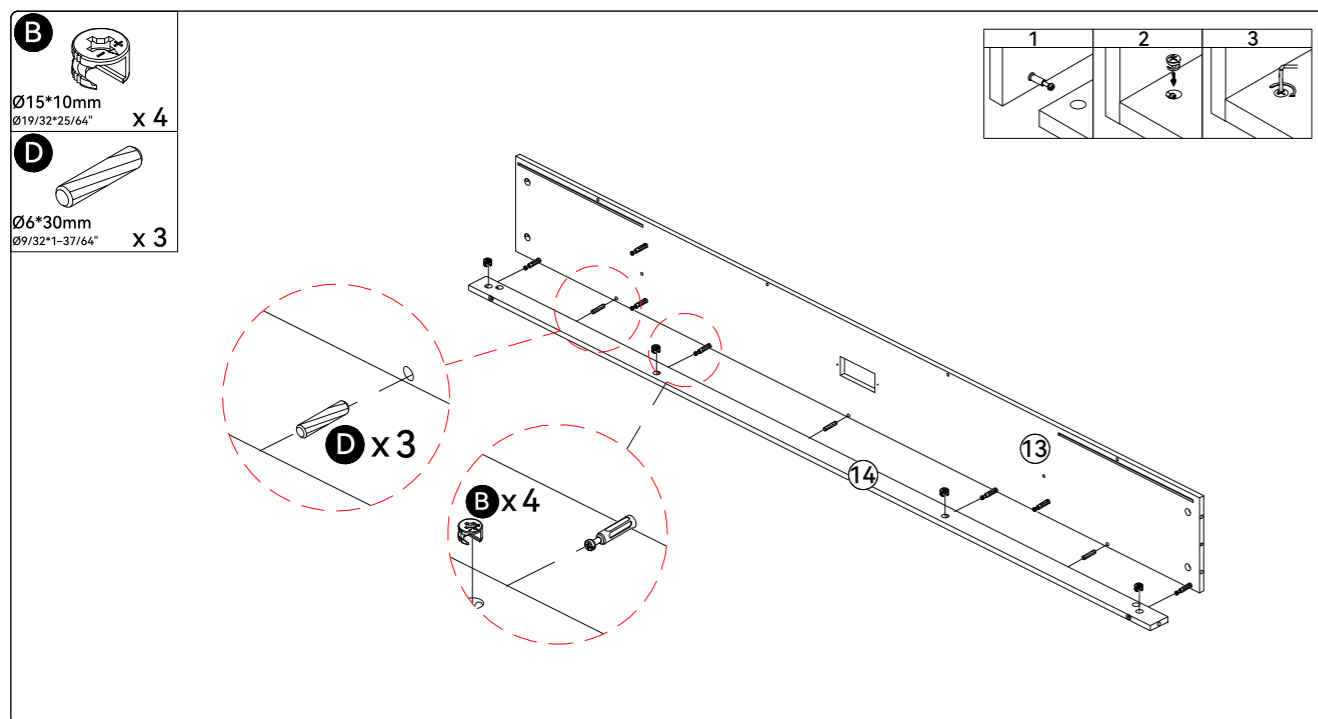
Headboard Section



- Install Part (A) onto Panel (13).
Install Part (AI) onto Panel (14).

Step 2

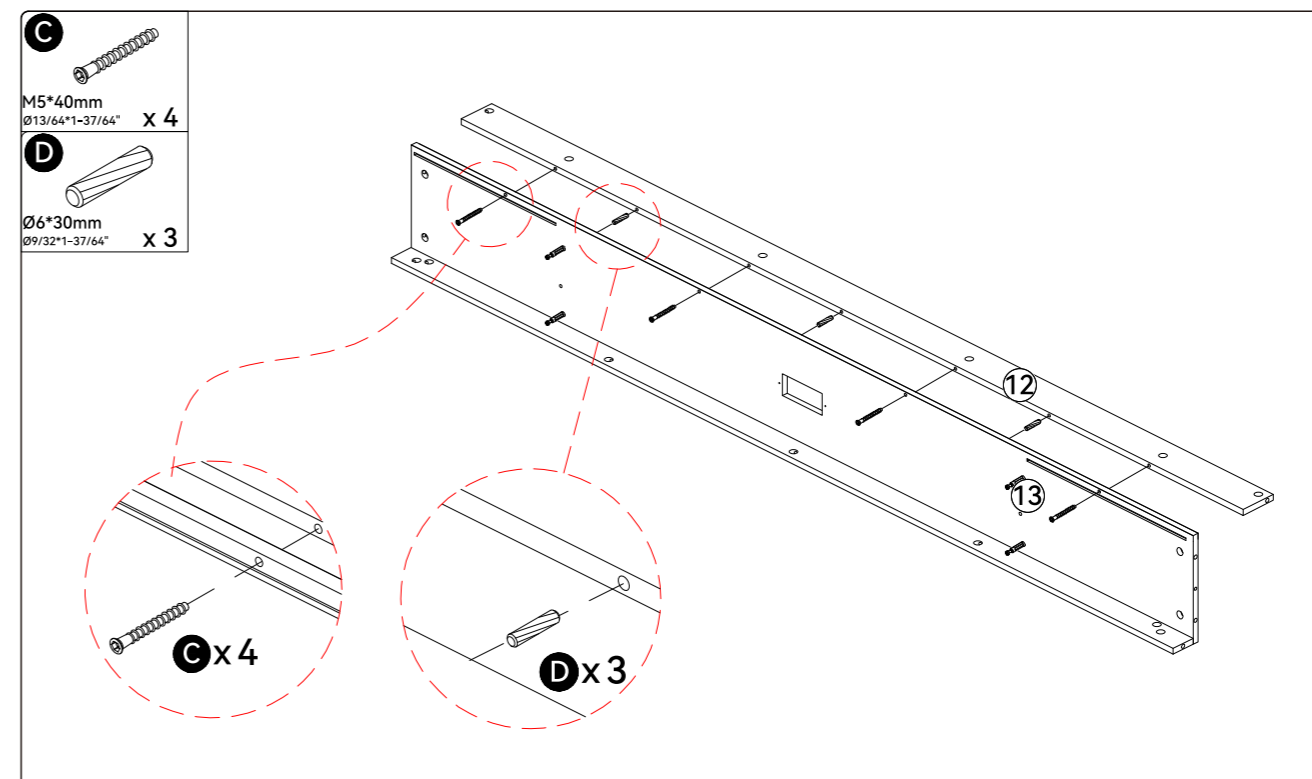
Headboard Section



1. Install Part (D) onto Panel (13) as shown.
2. Attach Panel (14) to Panel (13) as shown, using Part (B) and tightening it securely.

Step 3

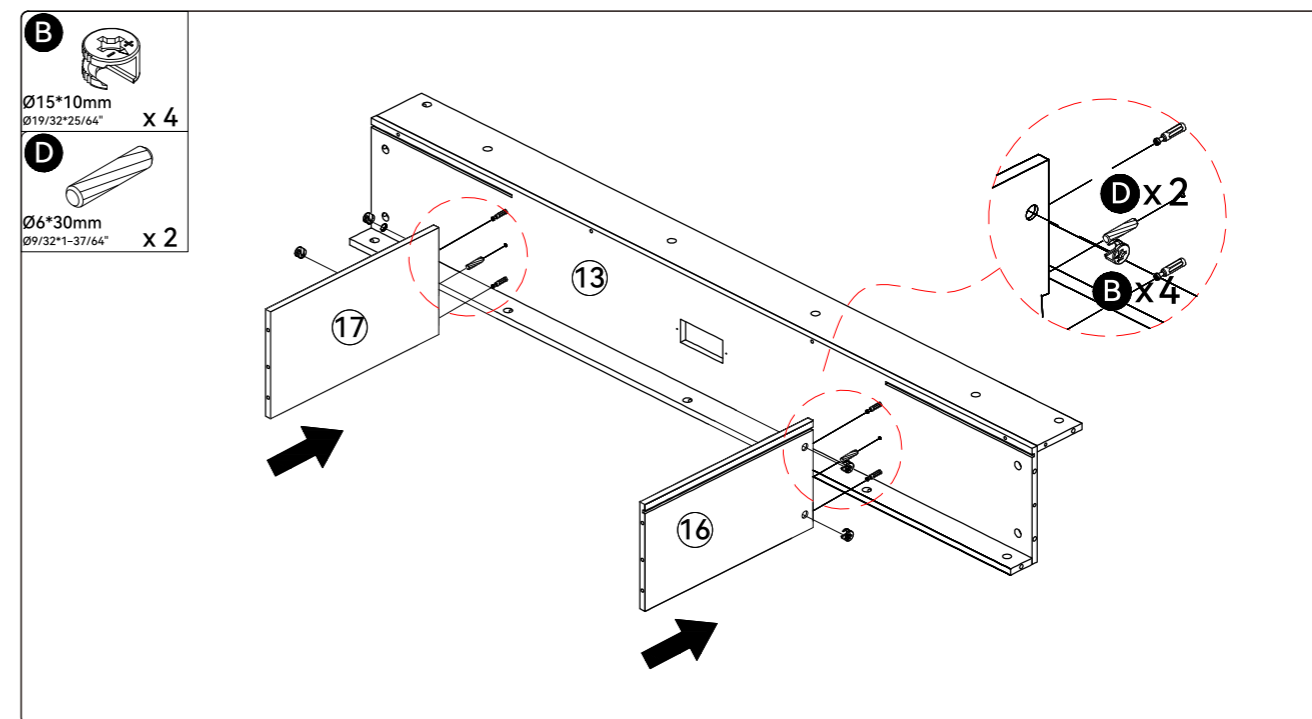
Headboard Section



1. Install Part (D) onto Panel (13) as shown.
2. Attach Panel (12) to Panel (13) as shown, using Part (C) and tightening it securely.

Step 4

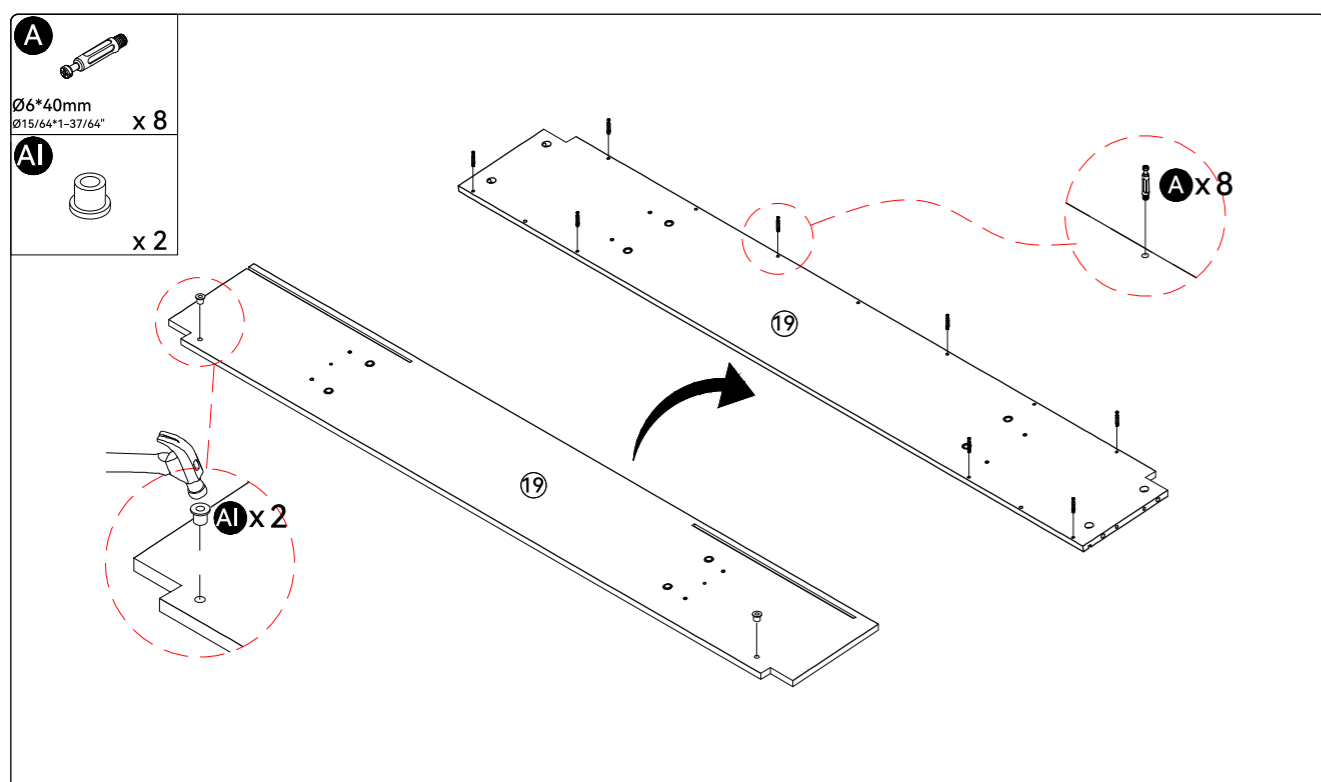
Headboard Section



1. Install Part (D) onto Panels (17) and (16) as shown.
2. Attach Panels (17) and (16) to Panel (13) as shown, and tighten them using Part (B).

Step 5

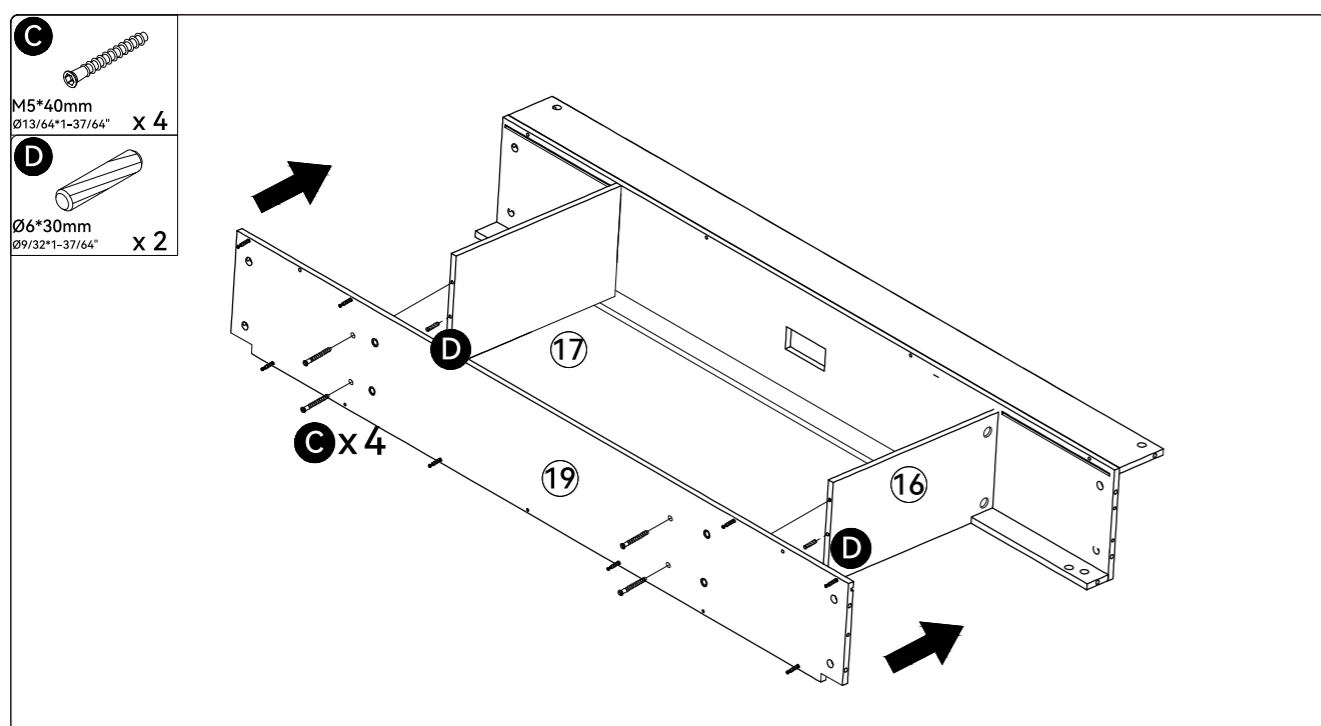
Headboard Section



Install Part (A) onto Panel (19).
Install Part (AI) onto Panel (19).

Step 6

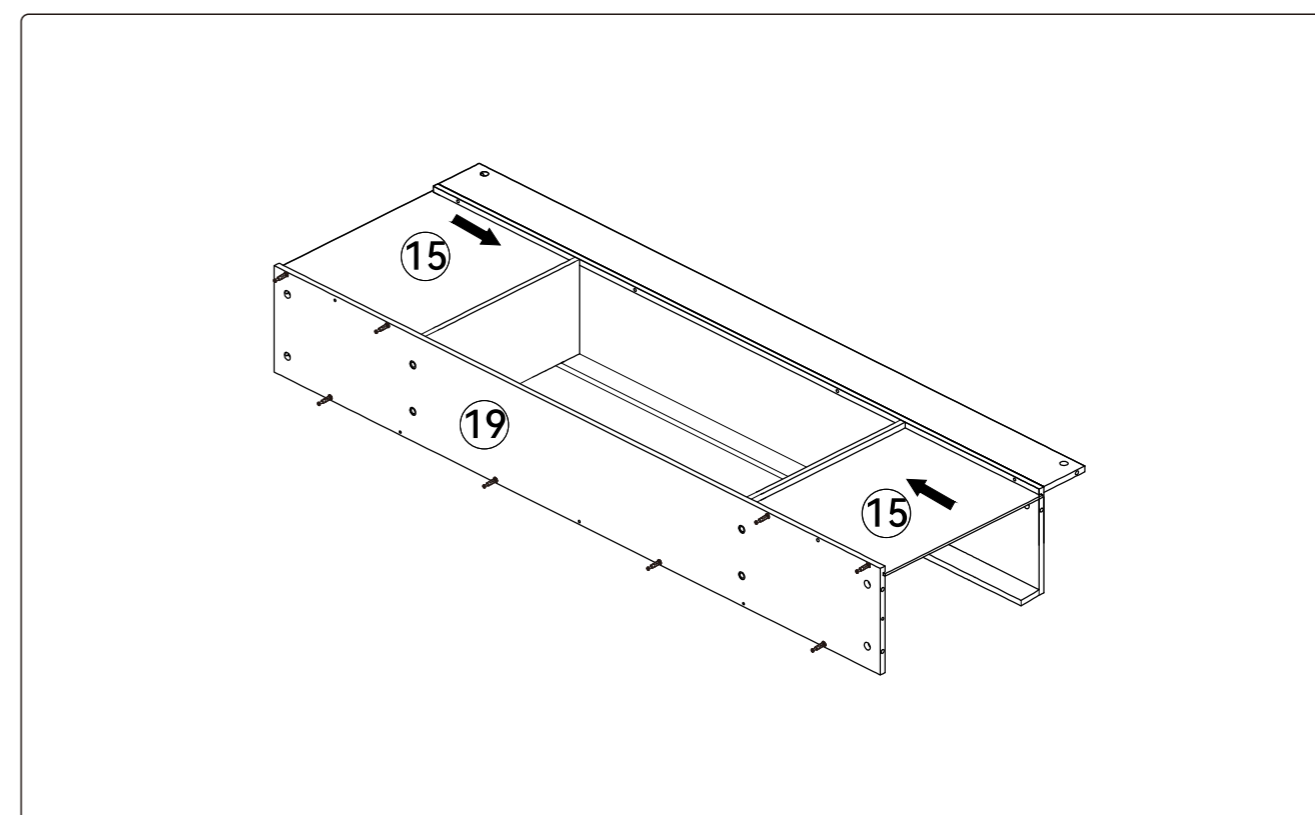
Headboard Section



1. Install Part (D) onto Panels (17) and (16) as shown.
2. Attach Panel (19) to Panels (16) and (17) as shown, and tighten them using Part (C).

Step 7

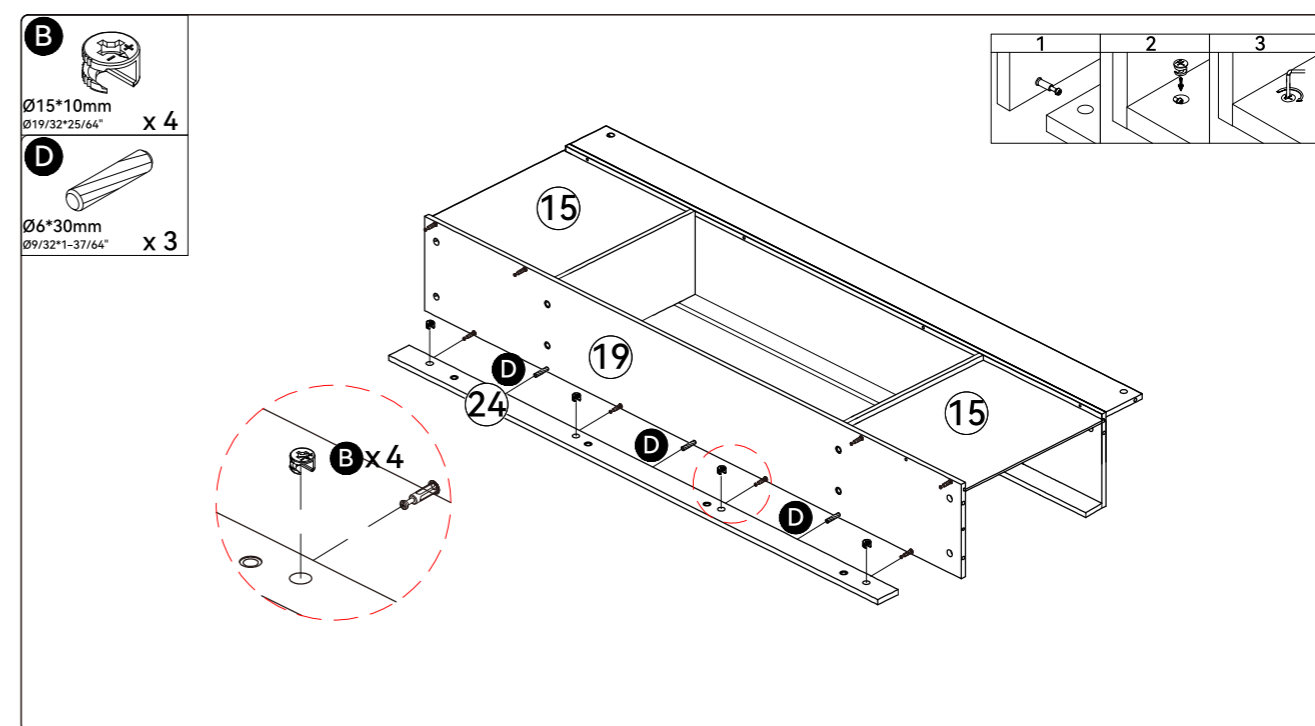
Headboard Section



Insert Panel (15) into the slot as shown.

Step 8

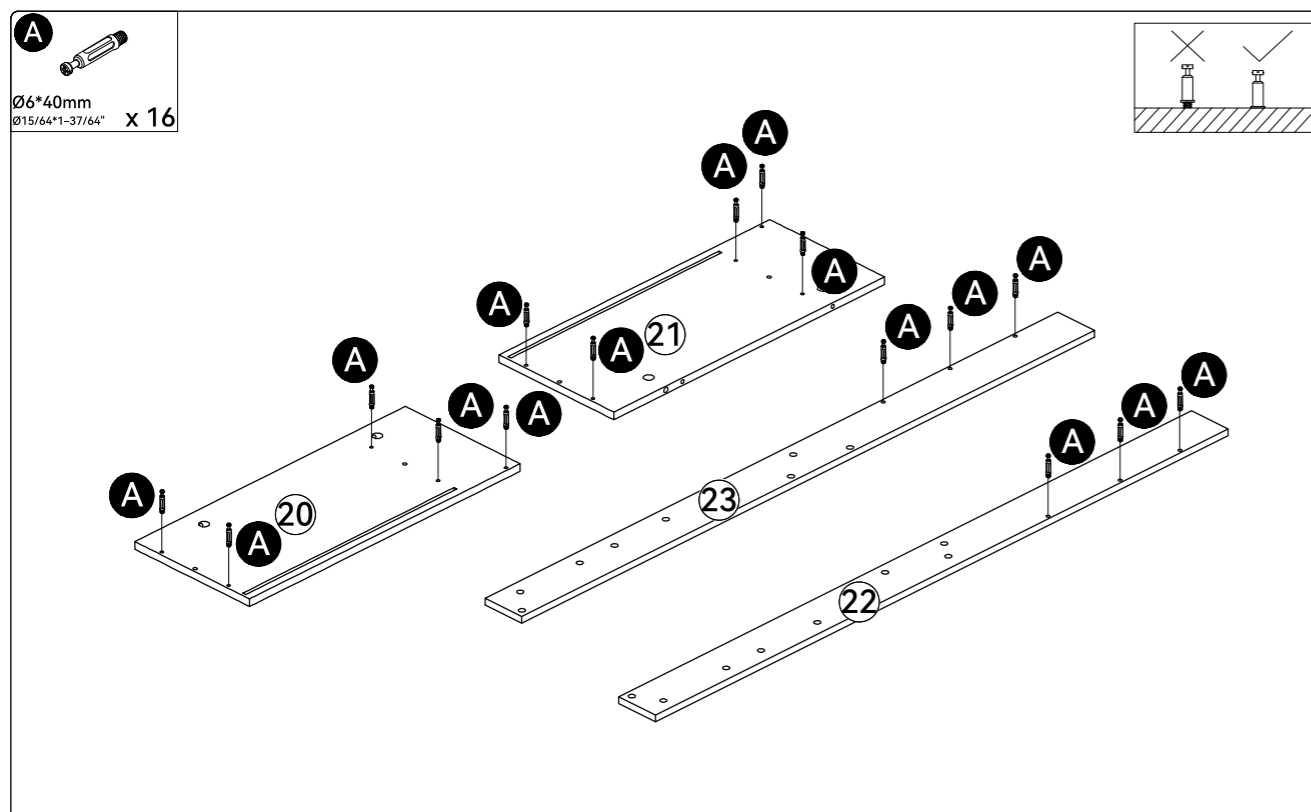
Headboard Section



1. Install Part (D) onto Panels (19) as shown.
2. Attach Panel (24) to Panel (19) as shown, and tighten it using Part (B).

Step 9

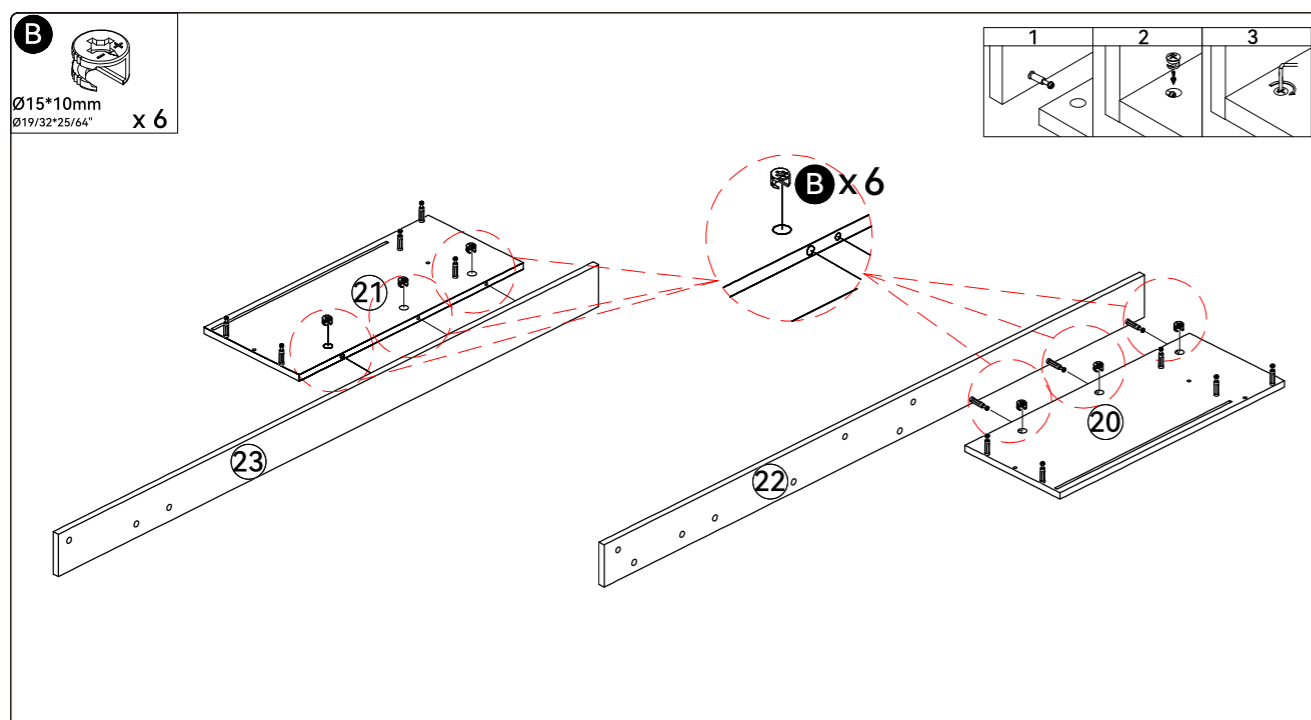
Headboard Section



Install Part (A) onto Panels (20), (21), (22), and (23) as shown.

Step 10

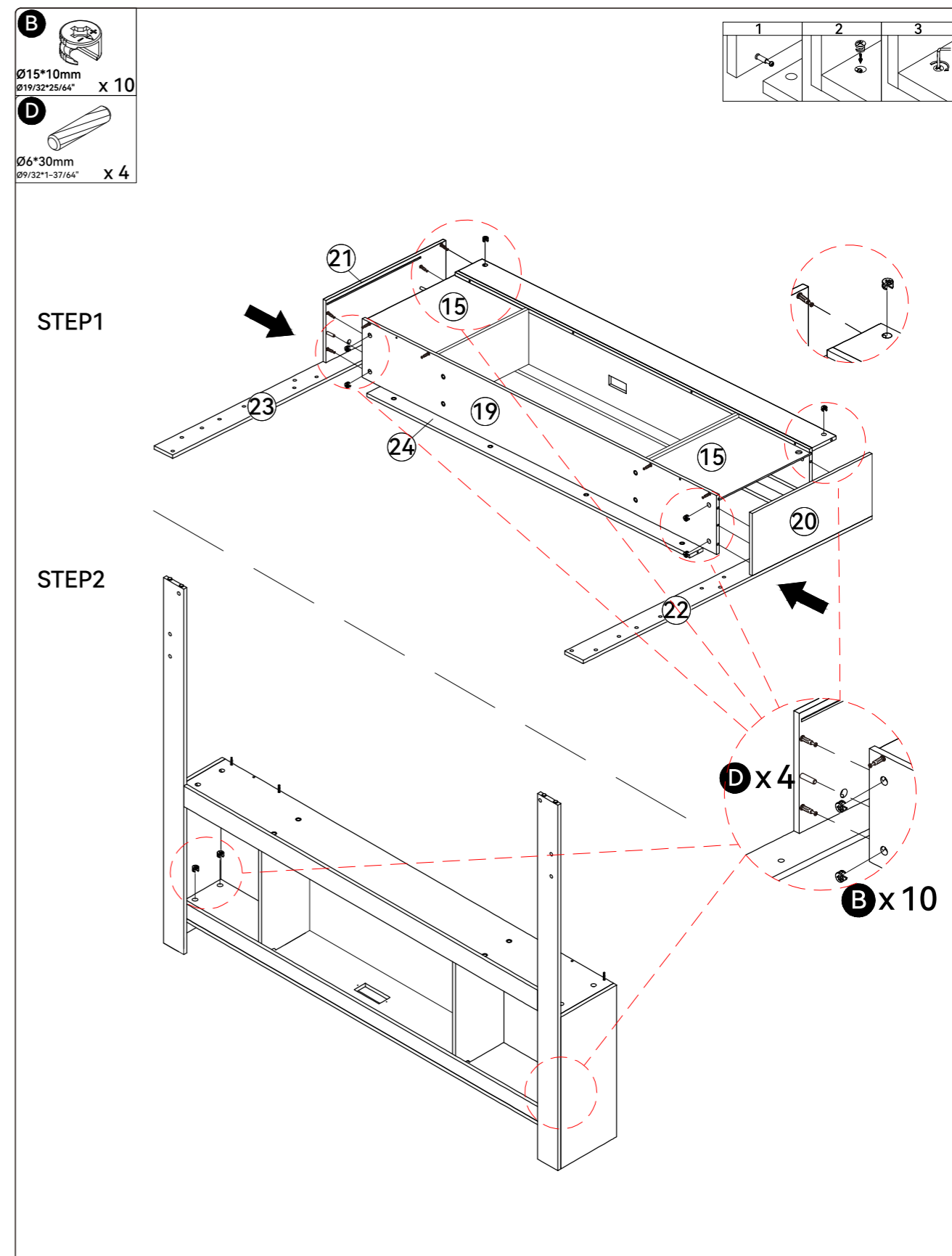
Headboard Section



1. Attach Panel (21) to Panel (23) as shown, and tighten it using Part (B).
2. Attach Panel (20) to Panel (22) as shown, and tighten it using Part (B).

Step 11

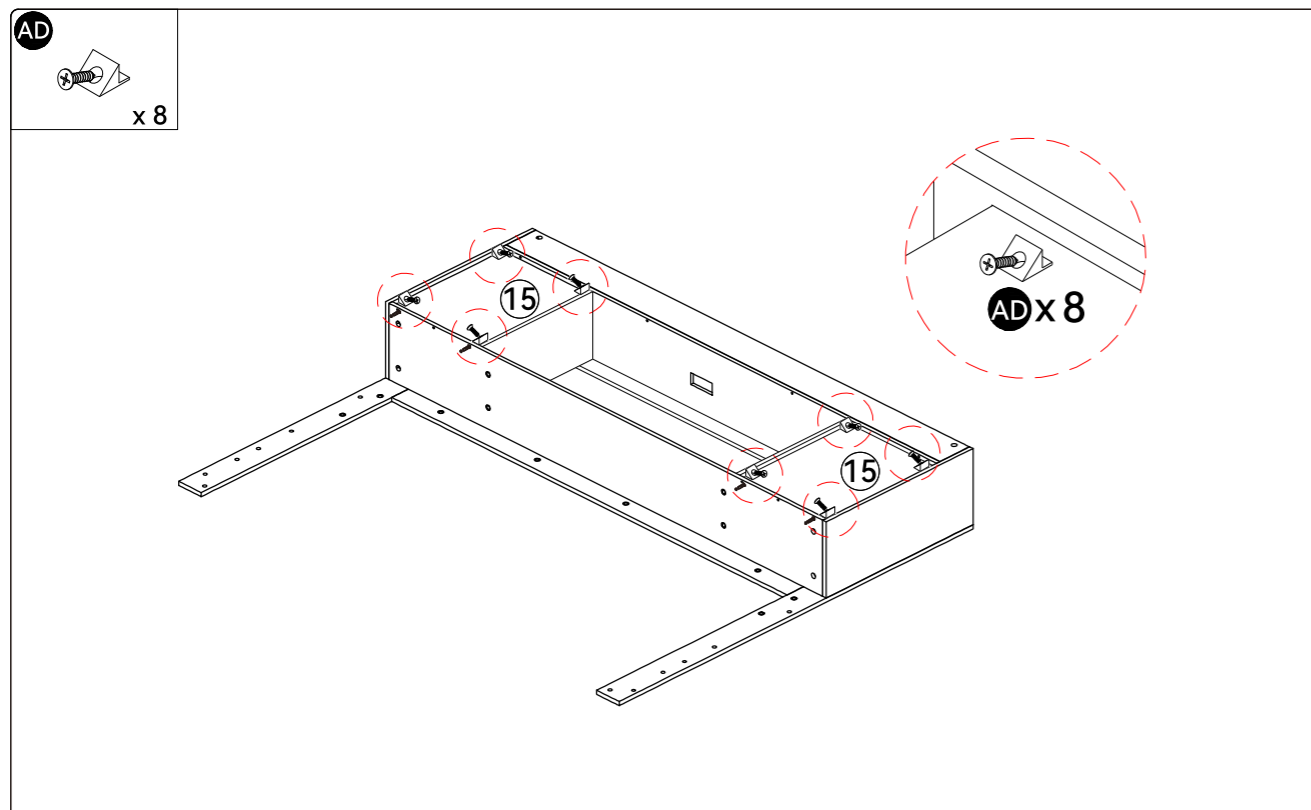
Headboard Section



1. Install Part (D) onto Panels (20) and (21) as shown.
2. Attach Panels (20) and (21) to Panel (19) as shown, and tighten them using Part (B).

Step 12

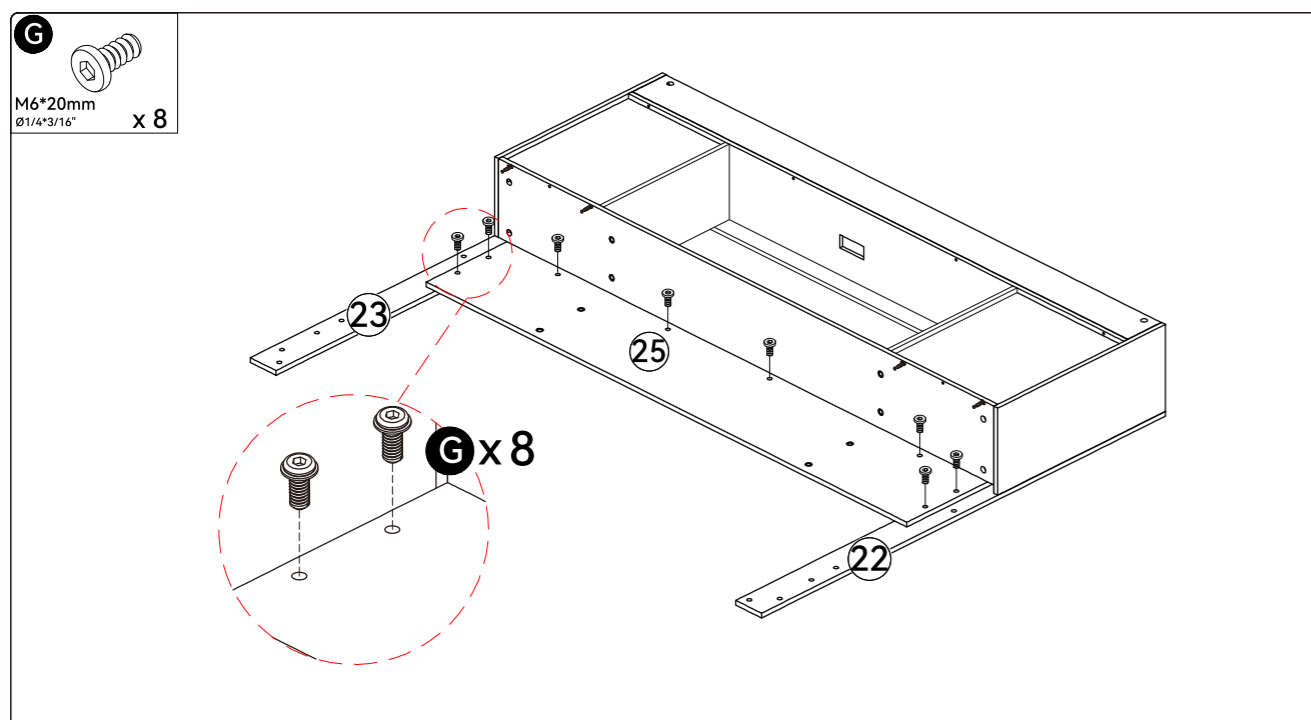
Headboard Section



Install Part (AD) onto Panel (15) as shown.

Step 13

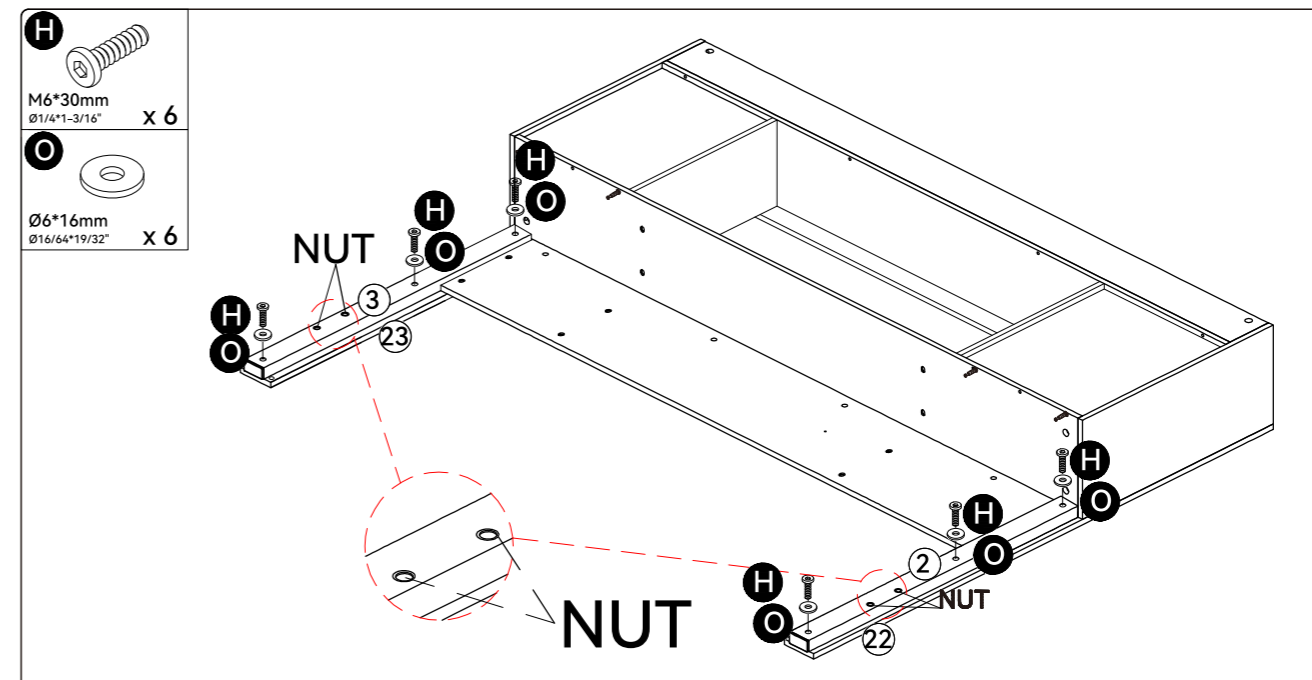
Headboard Section



Place Panel (25) in the position shown, assemble it together with Panels (23) and (22), and then tighten them using Part (G).

Step 14

Headboard Section

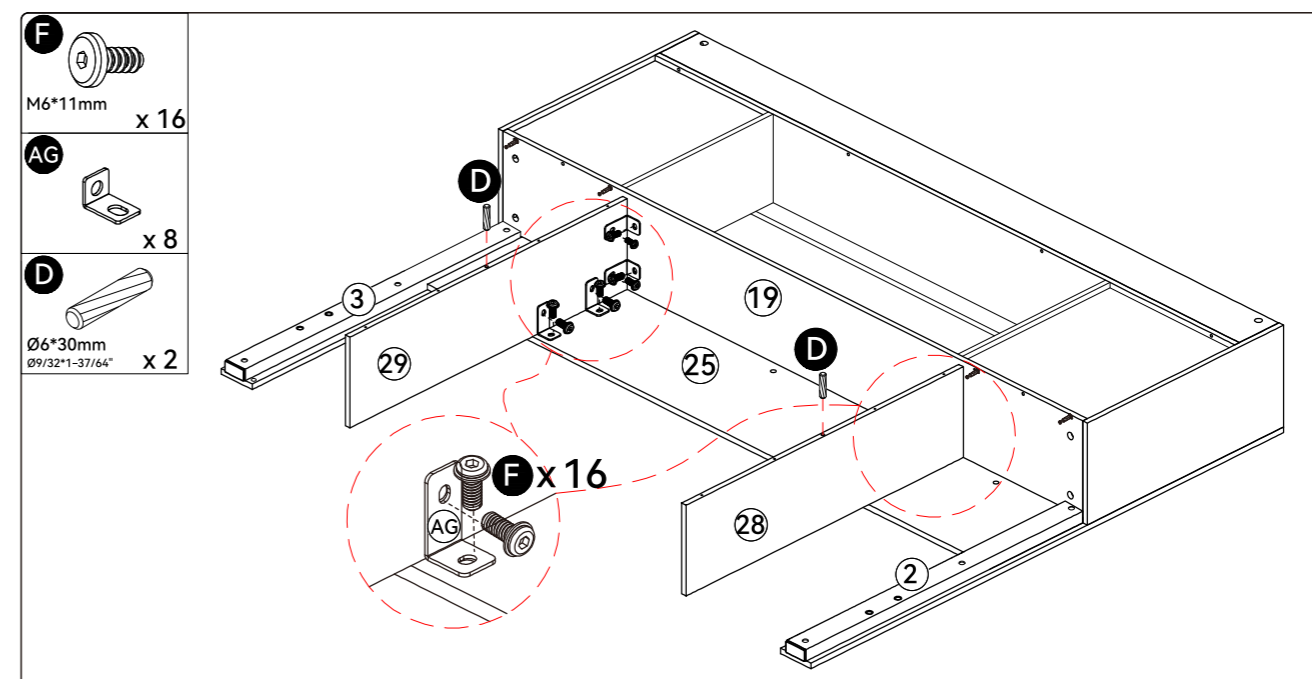


1. Install Panel (3) onto Panel (23) as shown, and tighten it using Parts (H) and (O).
2. Install Panel (2) onto Panel (22) as shown, and tighten it using Parts (H) and (O).

Note: For Panels (22) and (23), the rivets should face upward, as shown.

Step 15

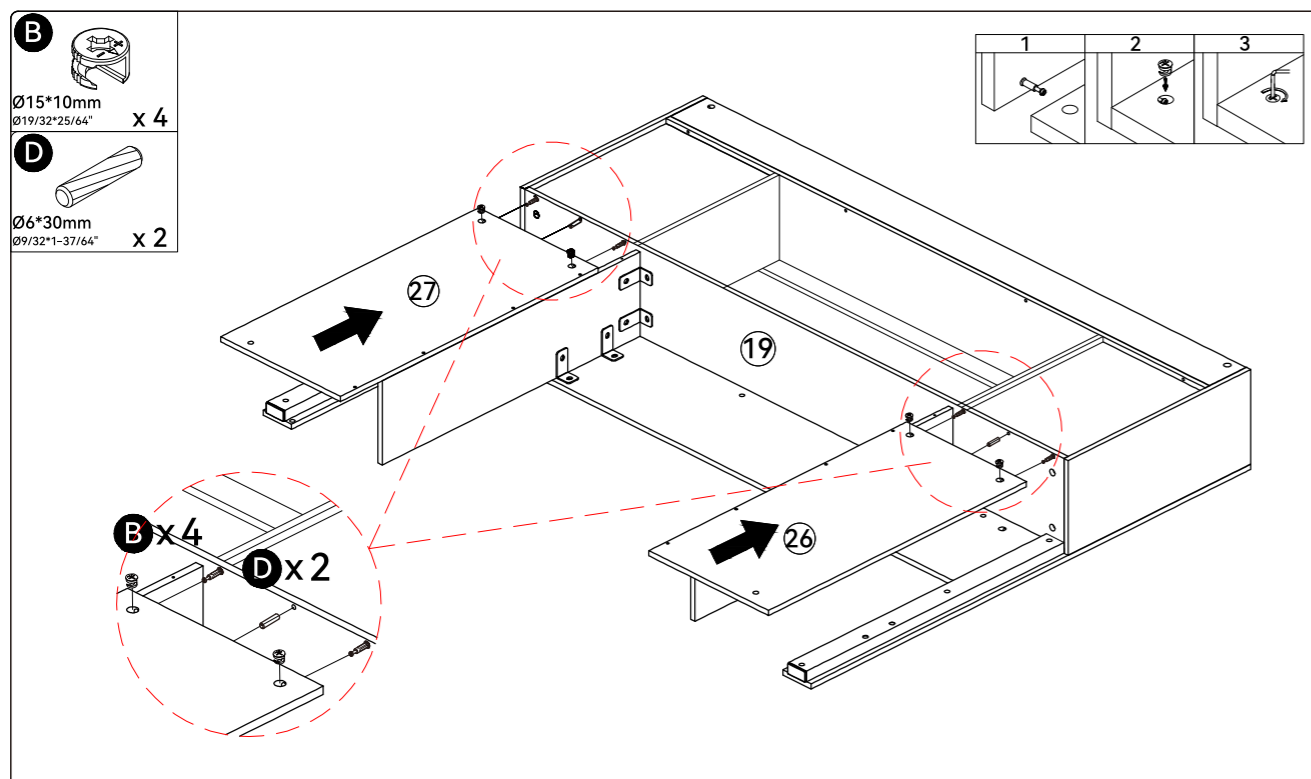
Headboard Section



1. Install Panels (28) and (29) in the positions shown using Part (AG), and then tighten them with Part (F).
2. Install Part (D) onto Panels (28) and (29) as shown.

Step 16

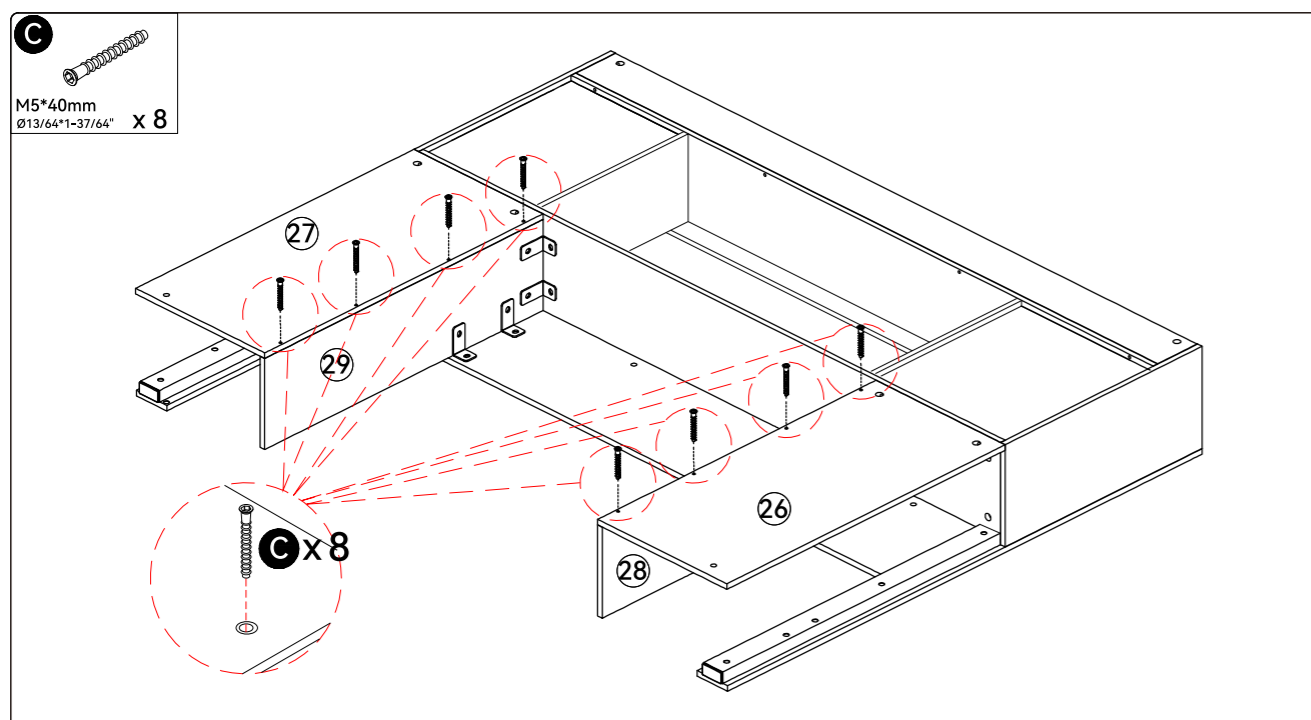
Headboard Section



1. Install Part (D) onto Panels (26) and (27) as shown.
2. Attach Panels (26) and (27) to Panel (19) as shown, and tighten them using Part (B).

Step 17

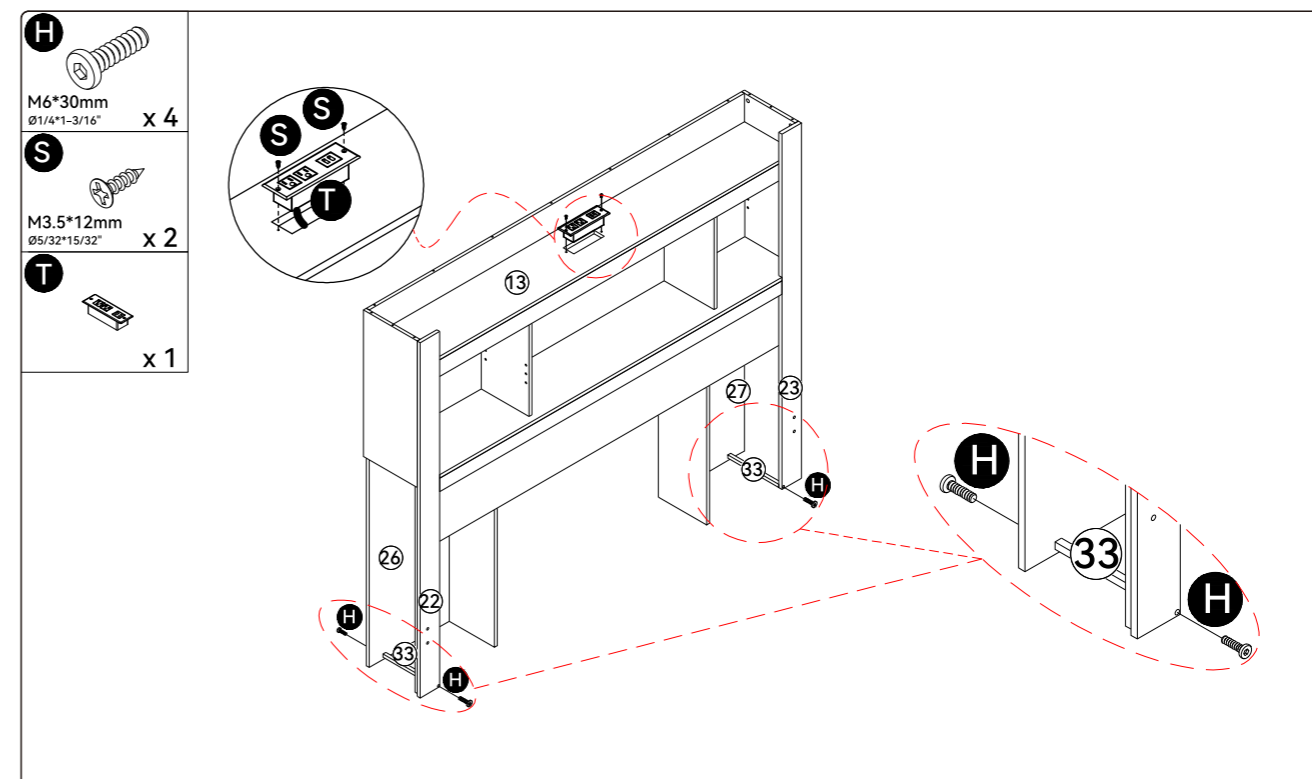
Headboard Section



1. Attach Panel (26) to Panel (28) as shown, and tighten it using Part (C)..
2. Attach Panel (27) to Panel (29) as shown, and tighten it using Part (C).

Step 18

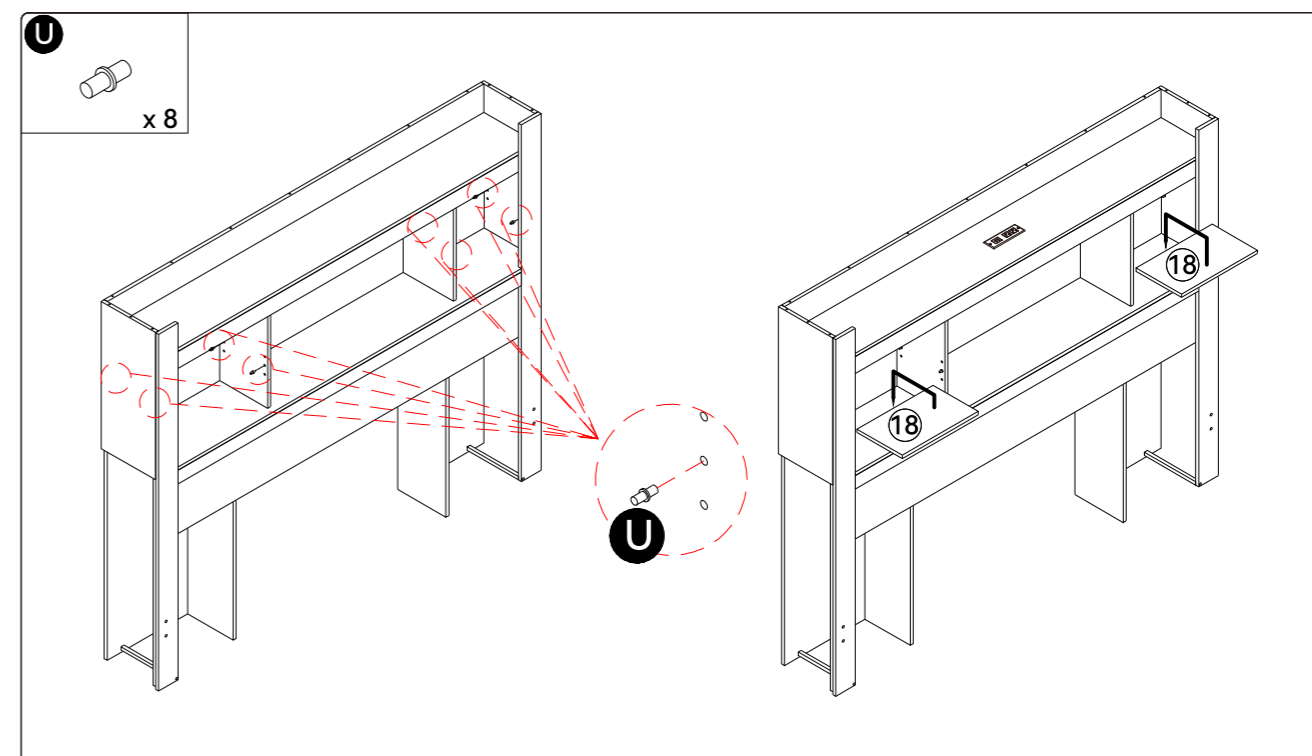
Headboard Section



1. Install Part (T) onto Panel (13) as shown, and tighten it using Part (S).
2. Install Metal Part (33) in the position shown, and tighten it using Part (H).

Step 19

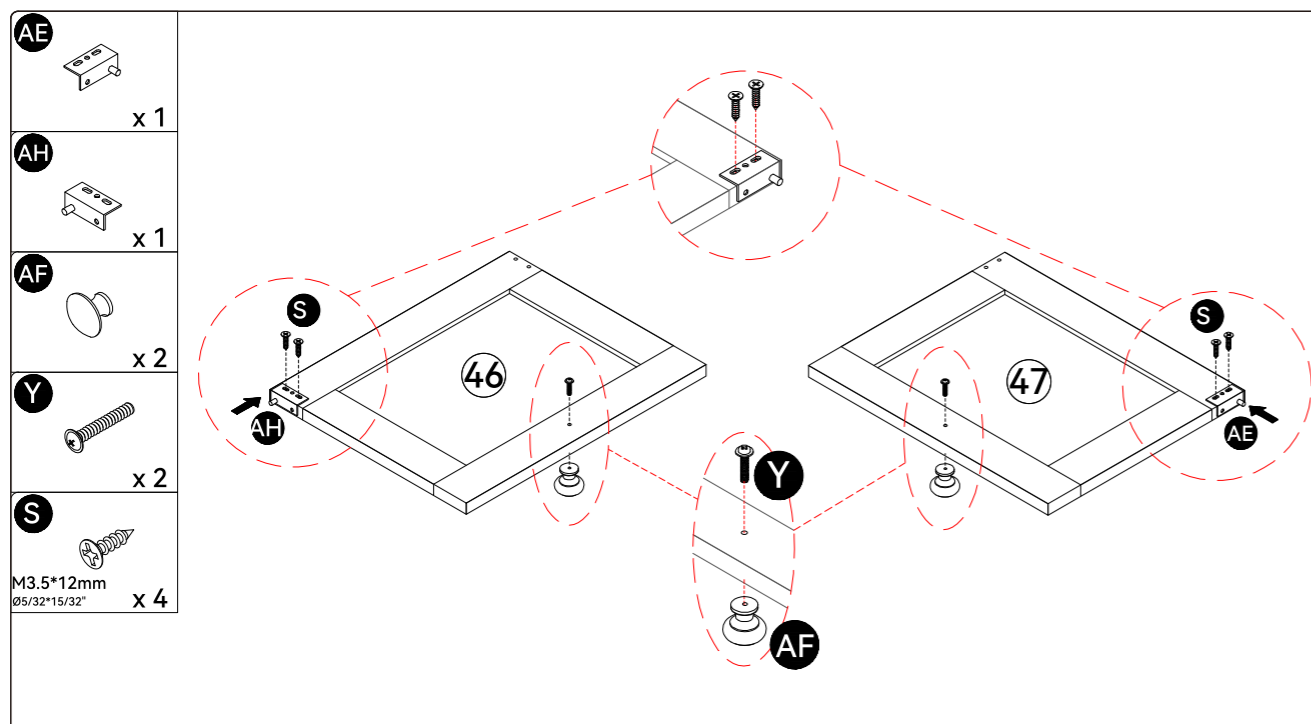
Headboard Section



1. Install Part (U) in the position shown, and then place Panel (18) on top of it.

Step 20

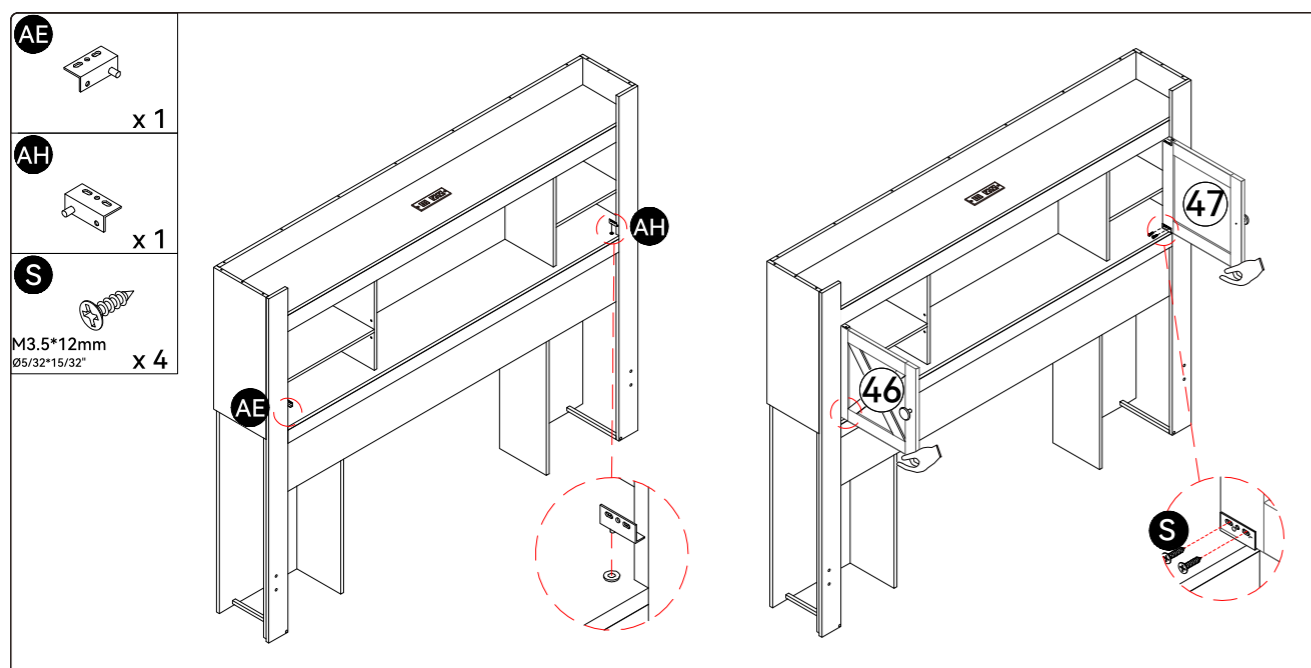
Headboard Section



1. Use Part (Y) to secure Part (AF) onto Door Panels (46) and (47) as shown.
2. Use Part (S) to attach Part (AE) to Door Panel (47) as shown, and then tighten it.
3. Use Part (S) to attach Part (AH) to Door Panel (46) as shown, and then tighten it.

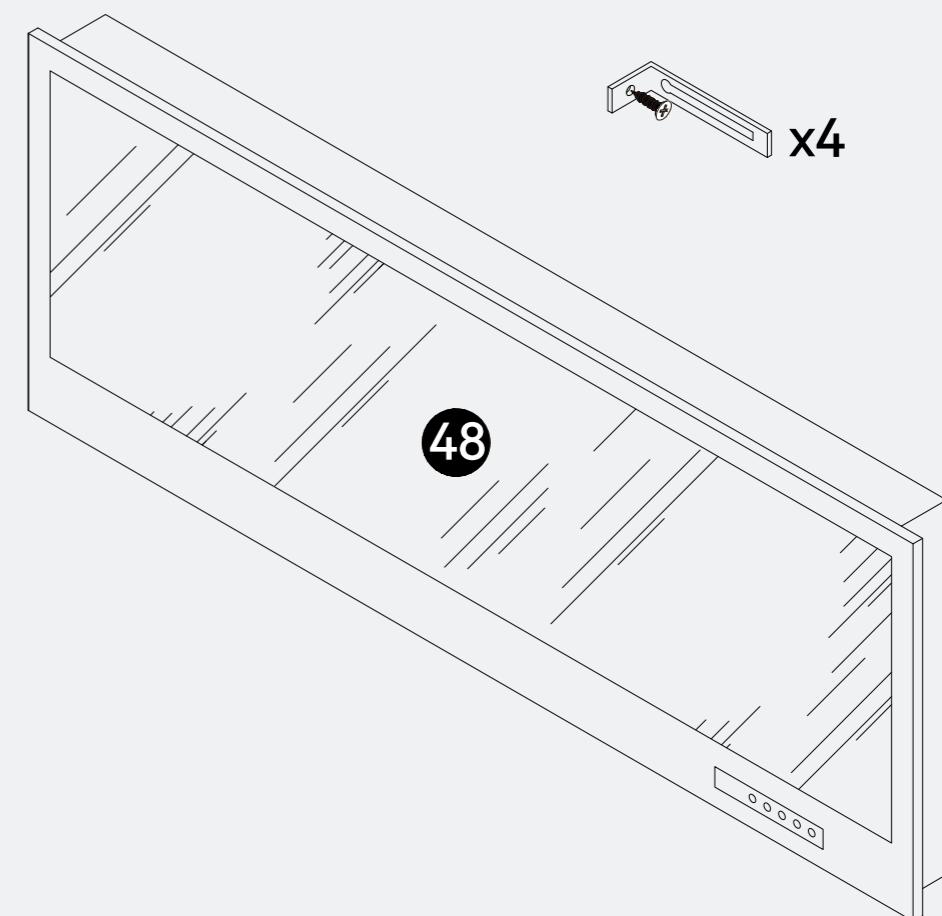
Step 21

Headboard Section



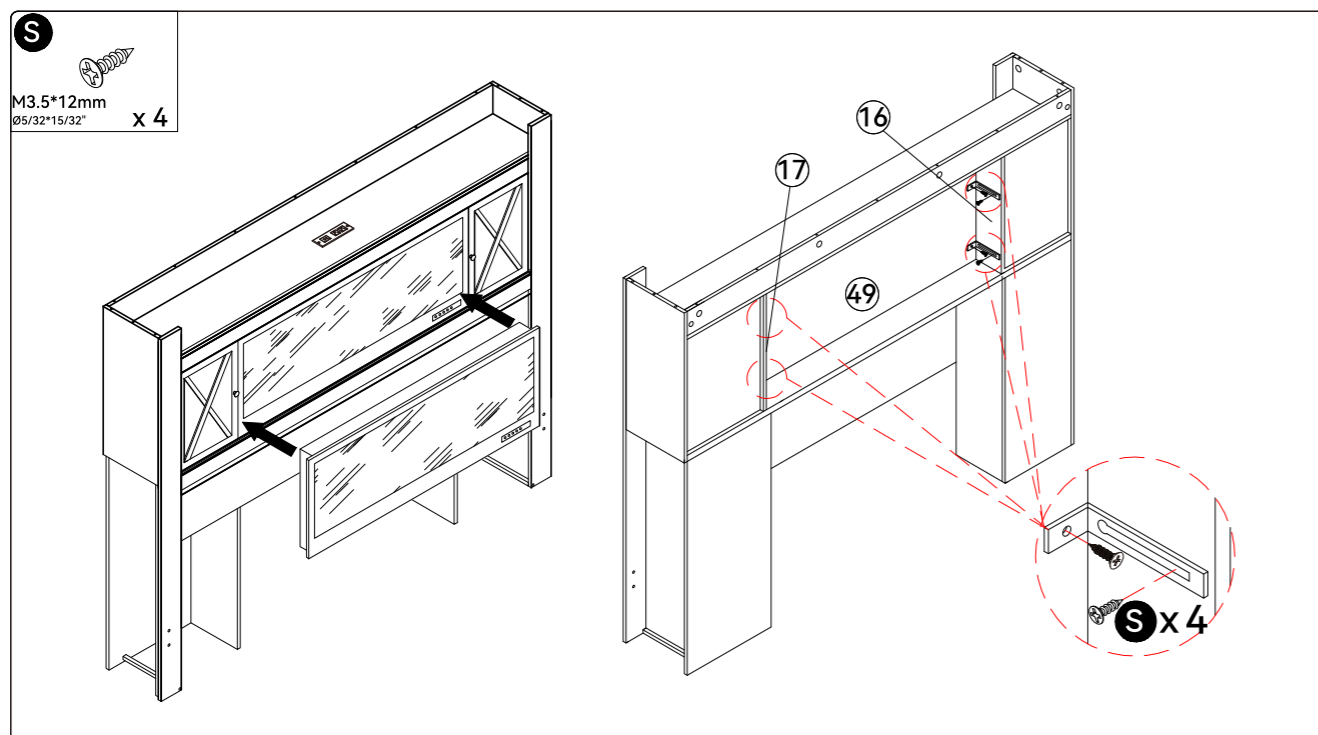
1. Position Components (AE) and (AH) as shown.
2. Attach Components (AE) and (AH) to the door panel as shown, and tighten them using Part (S).

Headboard Section Installation



Step 22

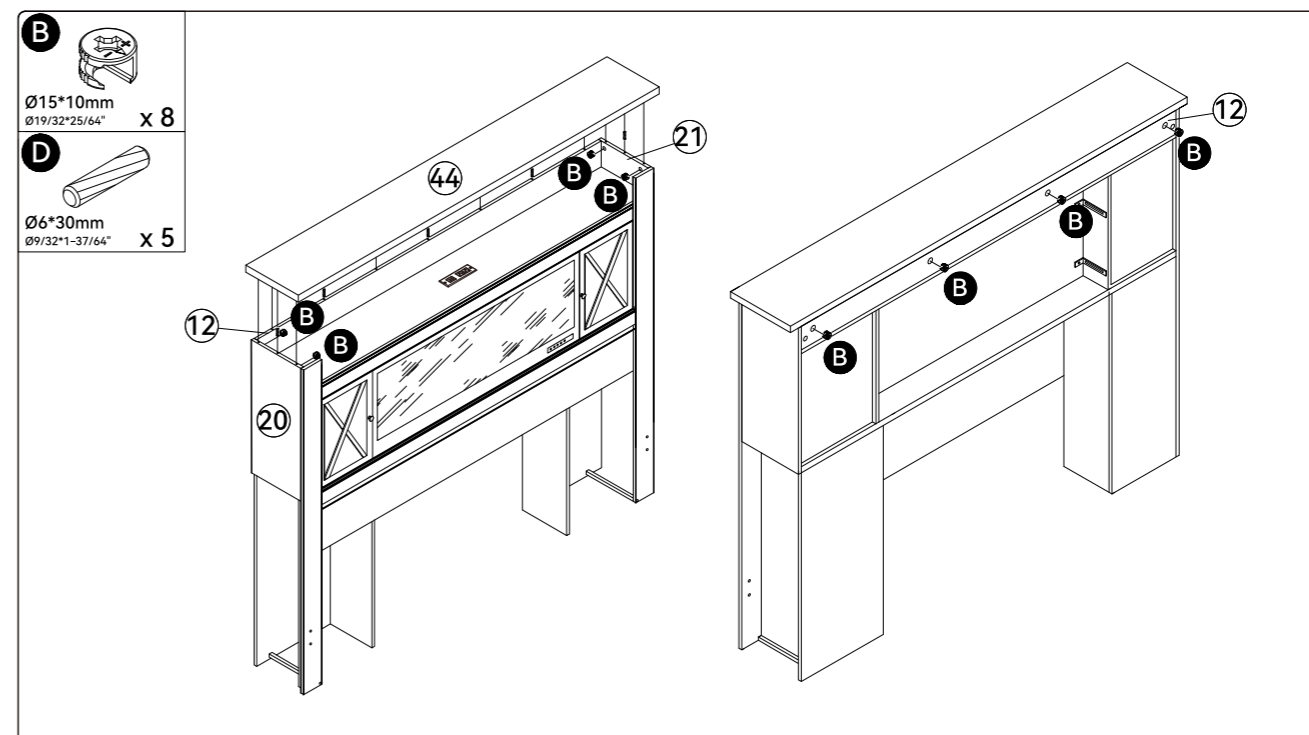
Headboard Section



- Install the fireplace insert onto the headboard frame as shown.
Install the fireplace's built-in brackets and screws onto Panels (16) and (17) as shown to secure the fireplace, and tighten them using Screws (S).

Step 24

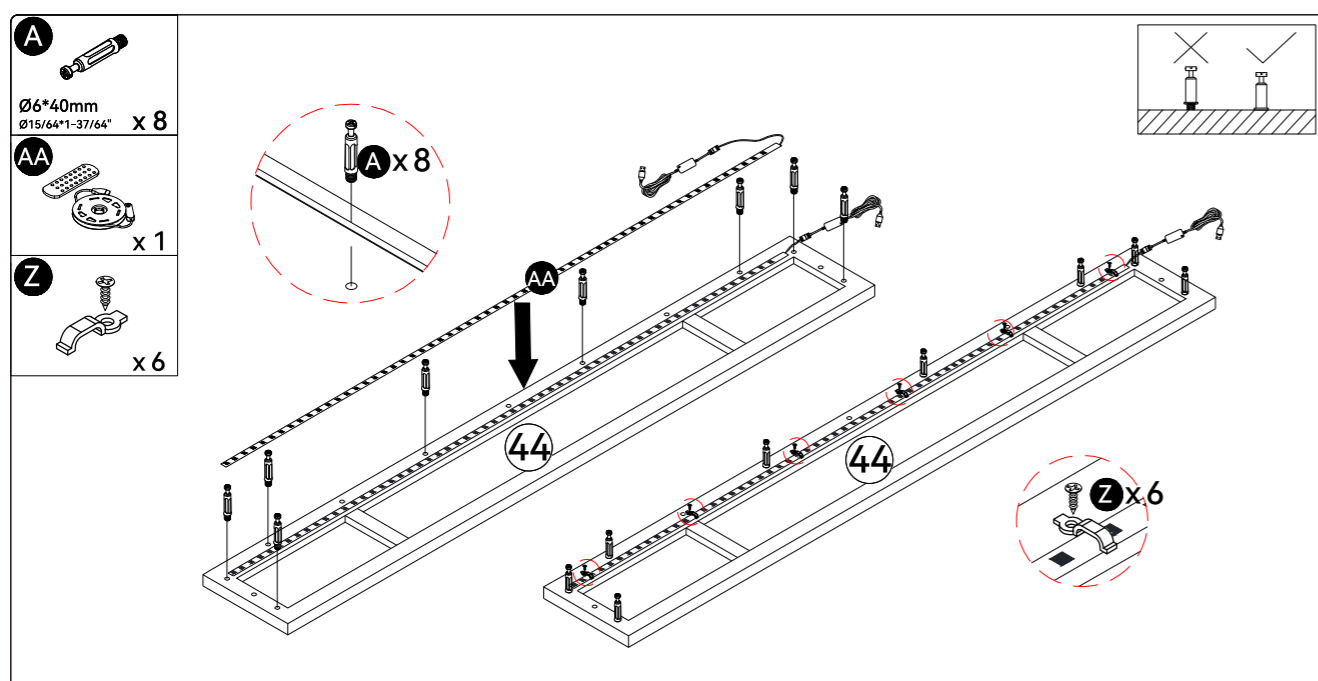
Headboard Section



1. Install Part (D) onto Panels (12), (20), and (21) as shown.
2. Install Panel (44) onto Panels (12), (20), and (21) as shown, and tighten it using Part (B).

Step 23

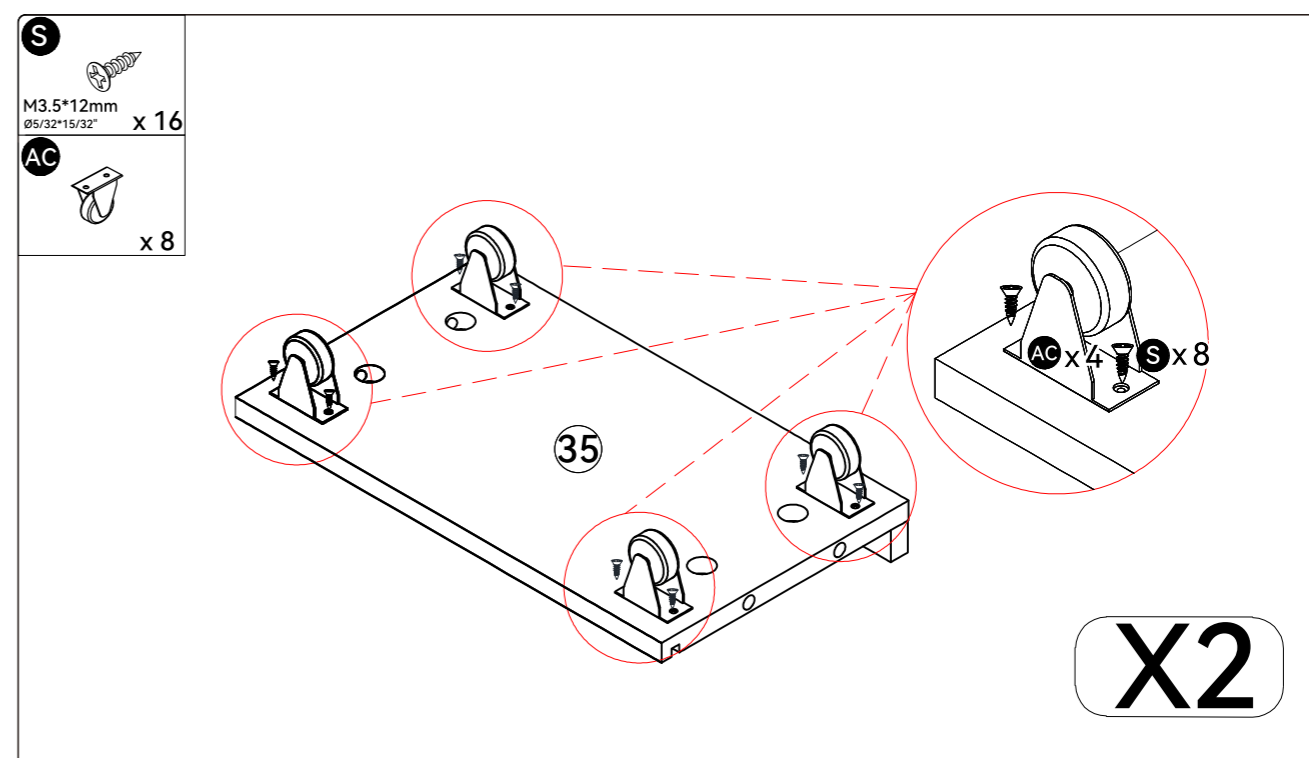
Headboard Section



1. Install Part (A) onto Panel (44) as shown.
2. Apply Part (AA) onto Panel (44) as shown, then secure the light strip using Part (Z) and tighten it.

Step 25

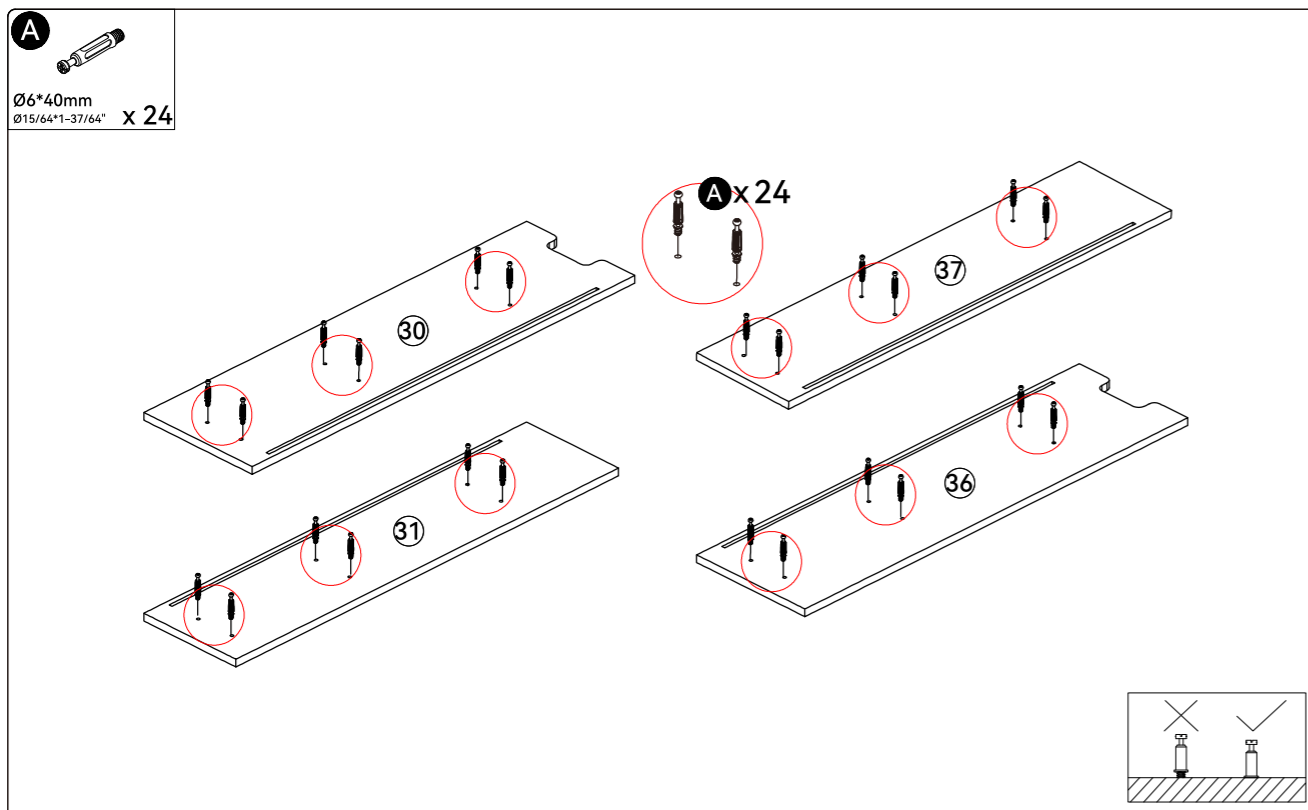
Headboard Section



- Install Part (AC) onto Panel (35) as shown, and tighten it using Part (S).

Step 26

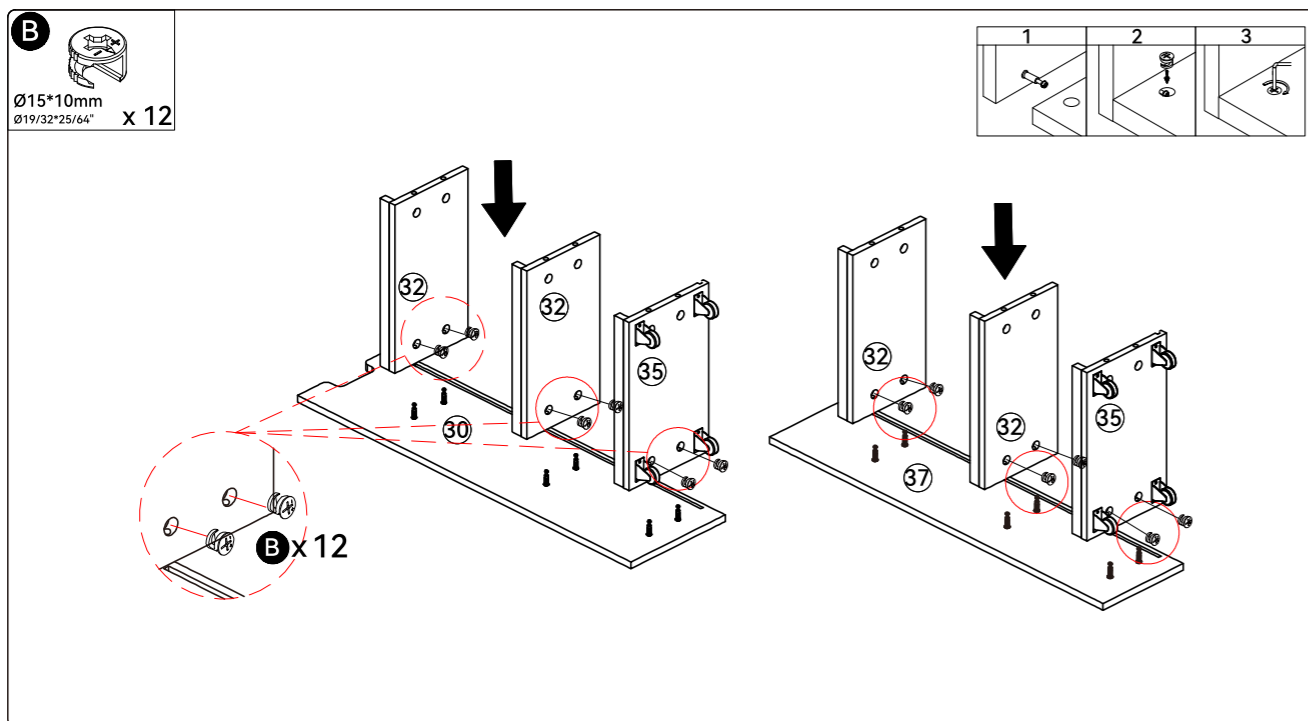
Headboard Section



Install Part (A) onto Panels (30), (31), (36), and (37) as shown.

Step 27

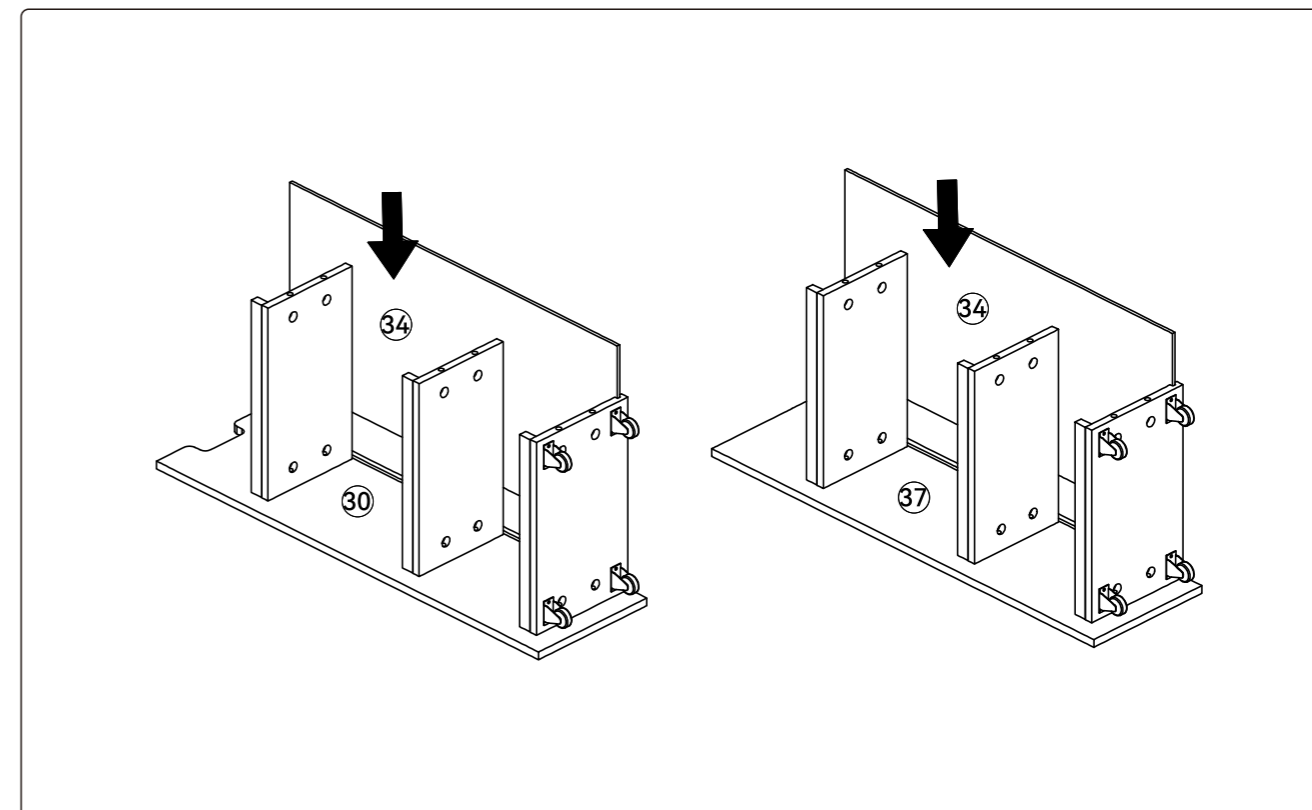
Headboard Section



1. Attach Panels (32) and (35) to Panel (30) as shown, and tighten them using Part (B).
2. Attach Panels (32) and (35) to Panel (37) as shown, and tighten them using Part (B).

Step 28

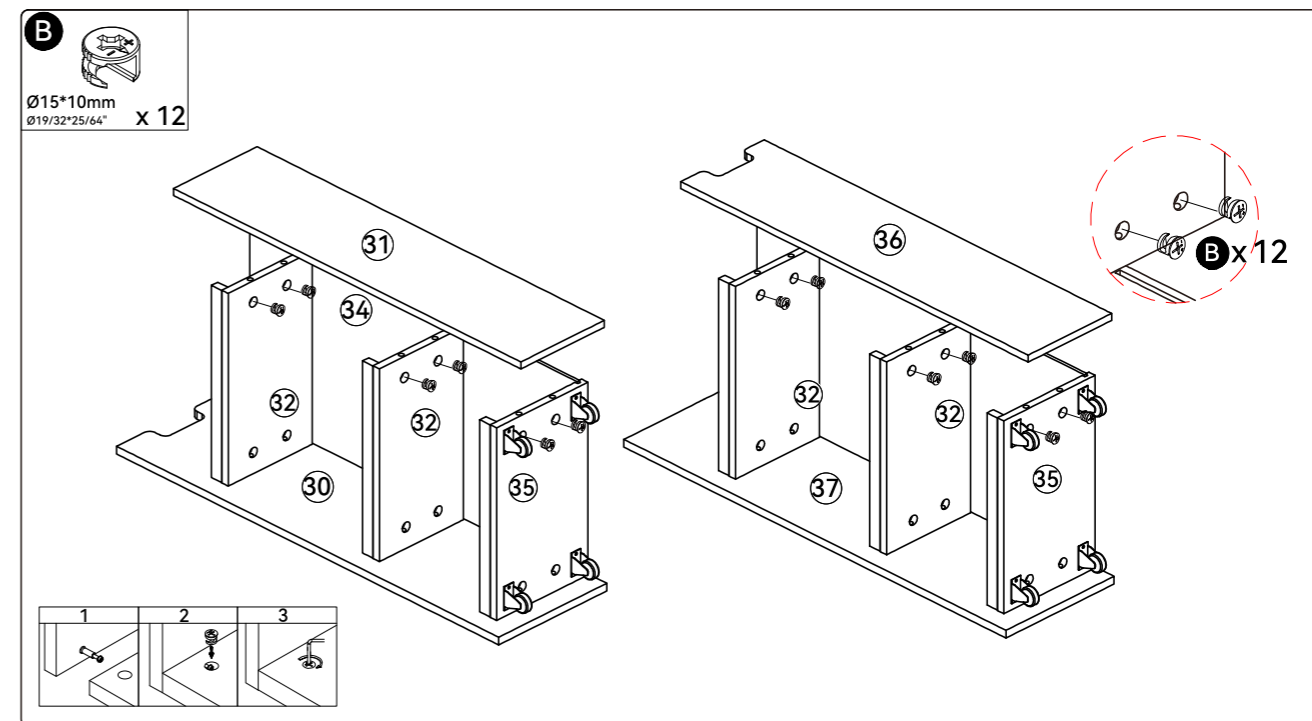
Headboard Section



Insert Back Panel (34) into the position shown.

Step 29

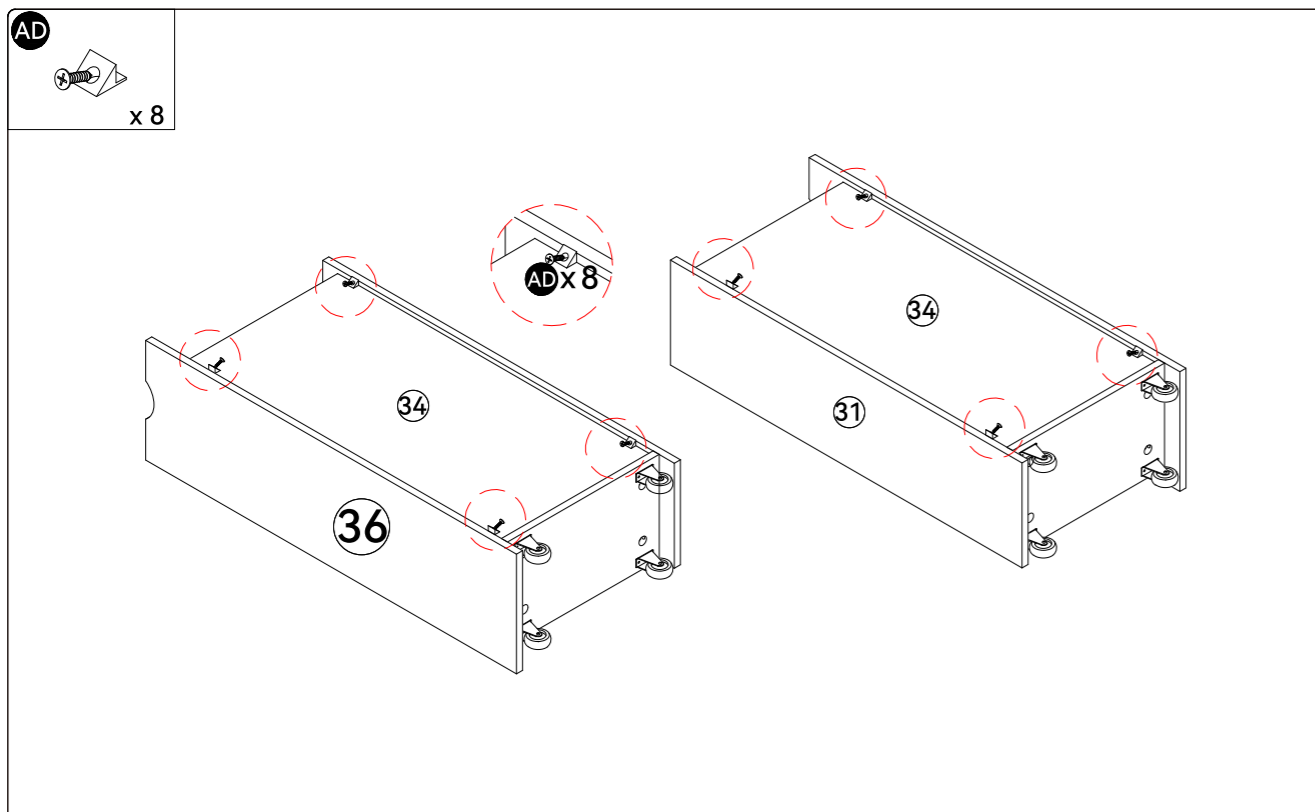
Headboard Section



1. Attach Panel (31) to Panels (32) and (35) as shown, and tighten them using Part (B).
2. Attach Panel (36) to Panels (32) and (35) as shown, and tighten them using Part (B).

Step 30

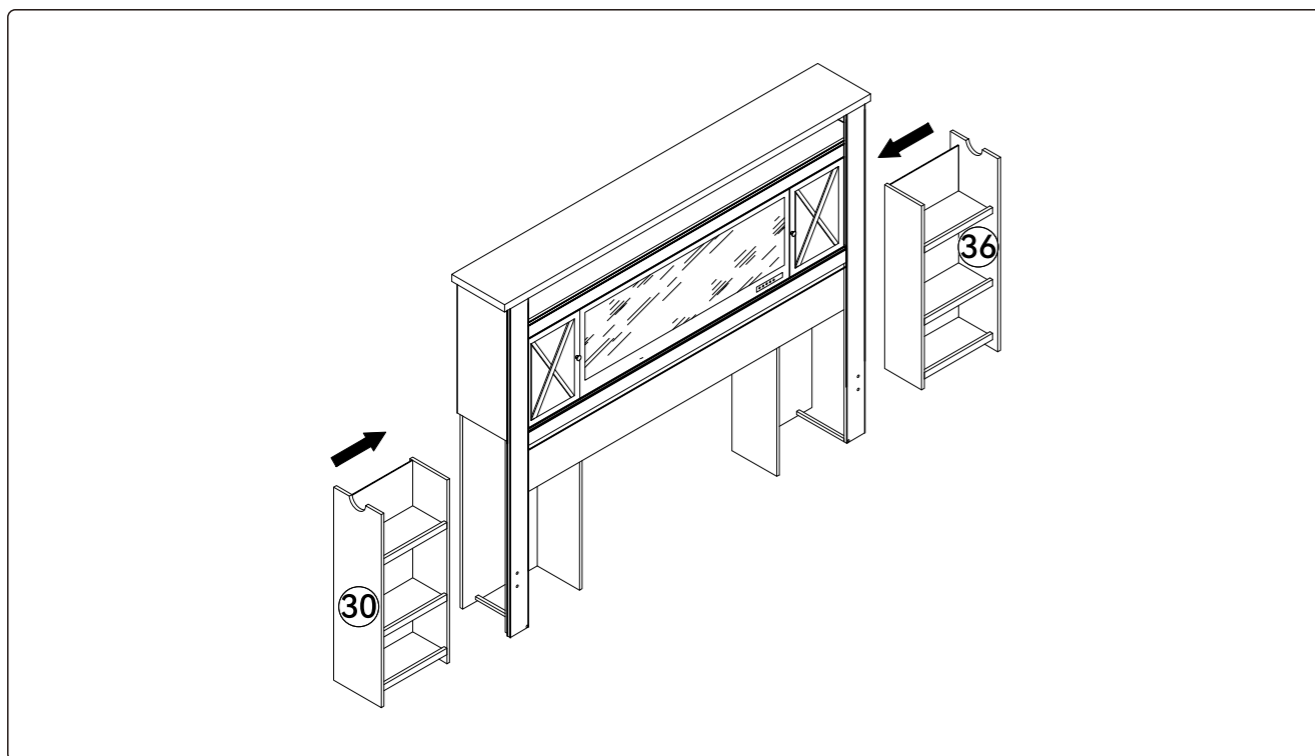
Headboard Section



Assemble Part (AD) onto Panel (34) as shown.

Step 31

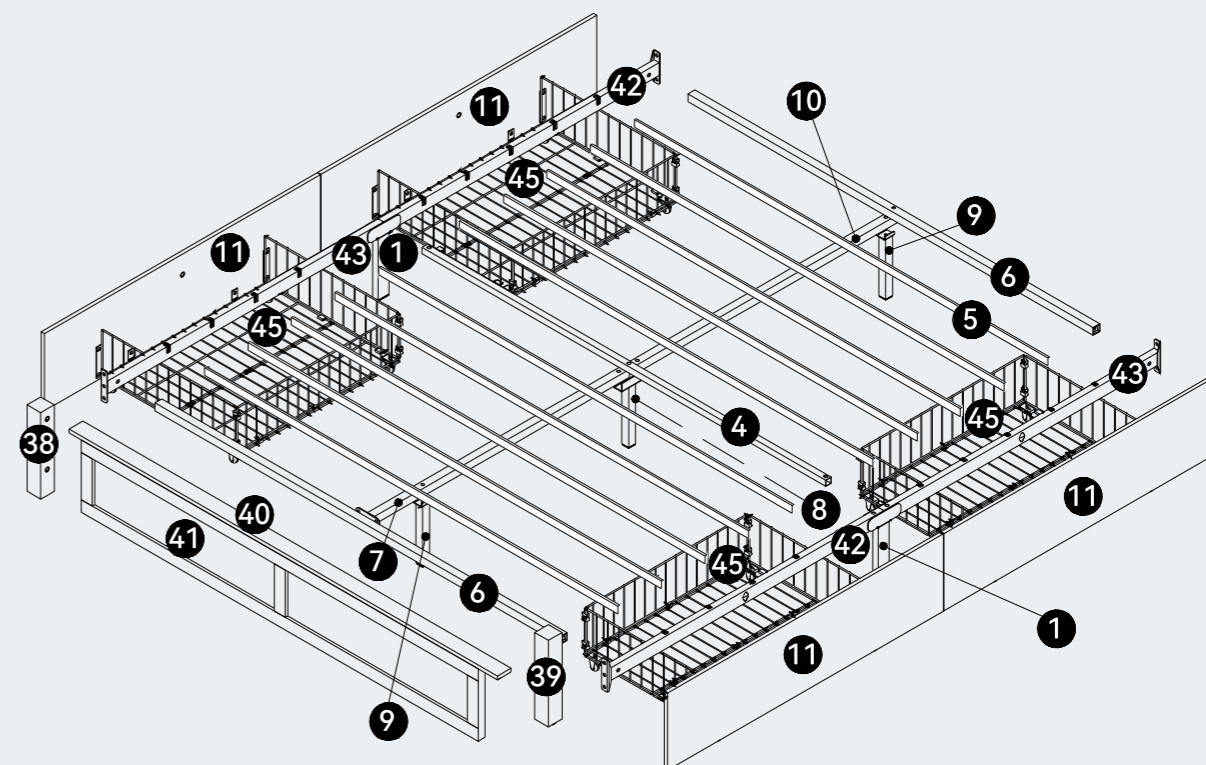
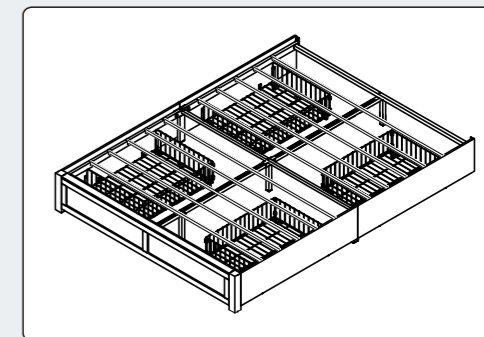
Headboard Section



Slide the side cabinet into the headboard position as shown.

Frame Parts Section
Installation

The frame parts section assembly requires a total of labeled panels shown in the diagram. Please locate all of them and prepare them for use.



Hardware Accessory List

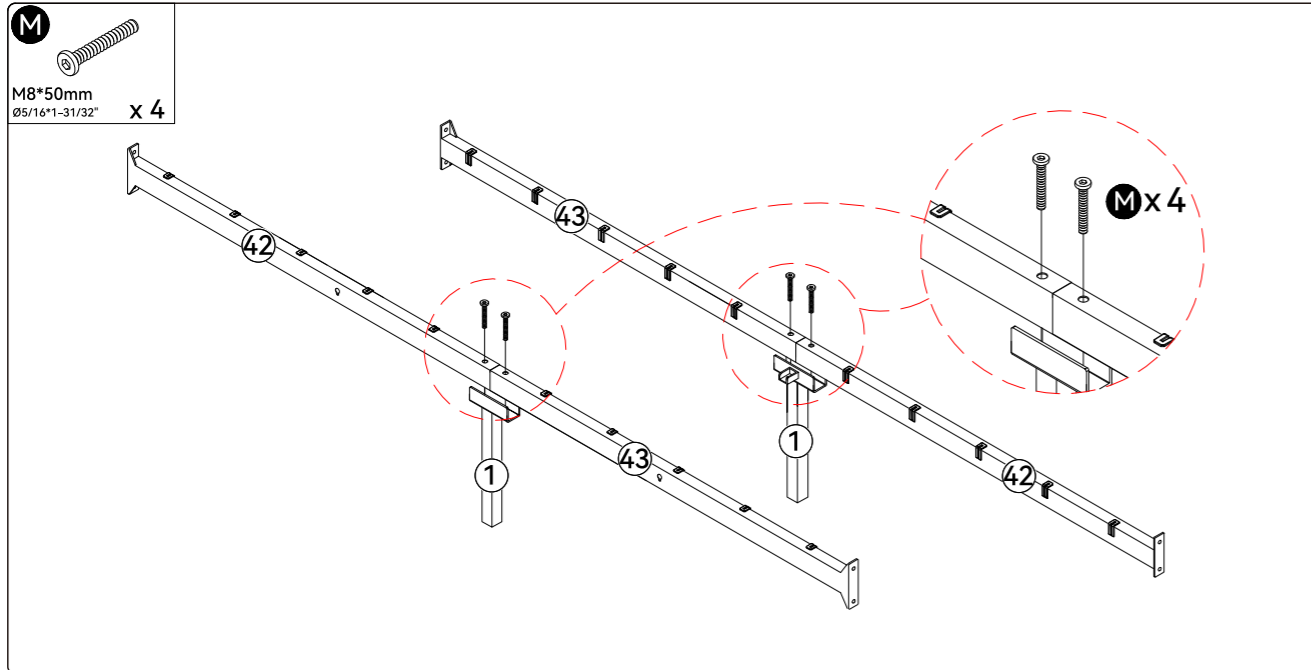
A	x 8	J	x 4	V	x 8
B	x 8	K	x 2	W	x 4
D	x 5	L	x 6	AB	x 16
E	x 16	N	x 3	I	x 4
F	x 26	M	x 4	O	x 20

Note:

Ensure all hardware components are accounted for before beginning assembly. Missing or damaged hardware should be reported to customer service for replacement.

Step 32

Frame Parts Section

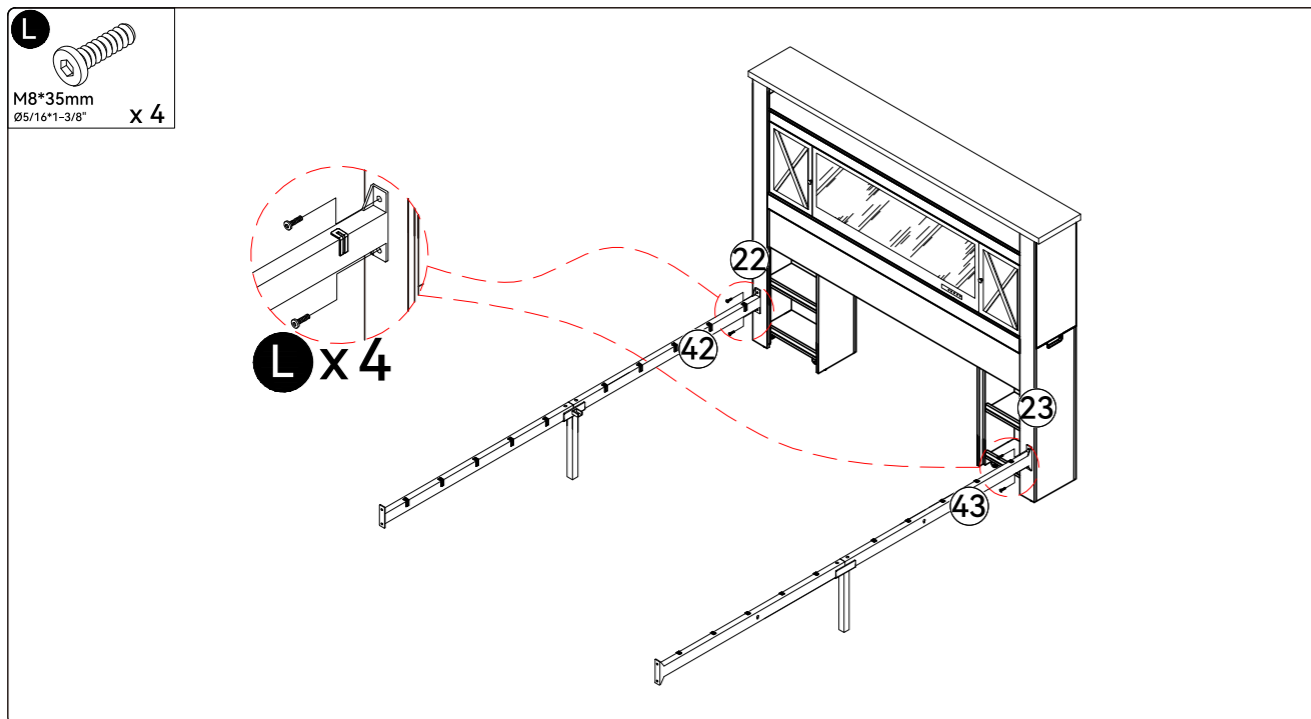


Install Side Rails (42) and (43) onto Part (1) as shown, and tighten them using Part (M).

Note: The protruding section on Part (1) must align with the (U) notch on Side Rails (42) and (43), as shown.

Step 33

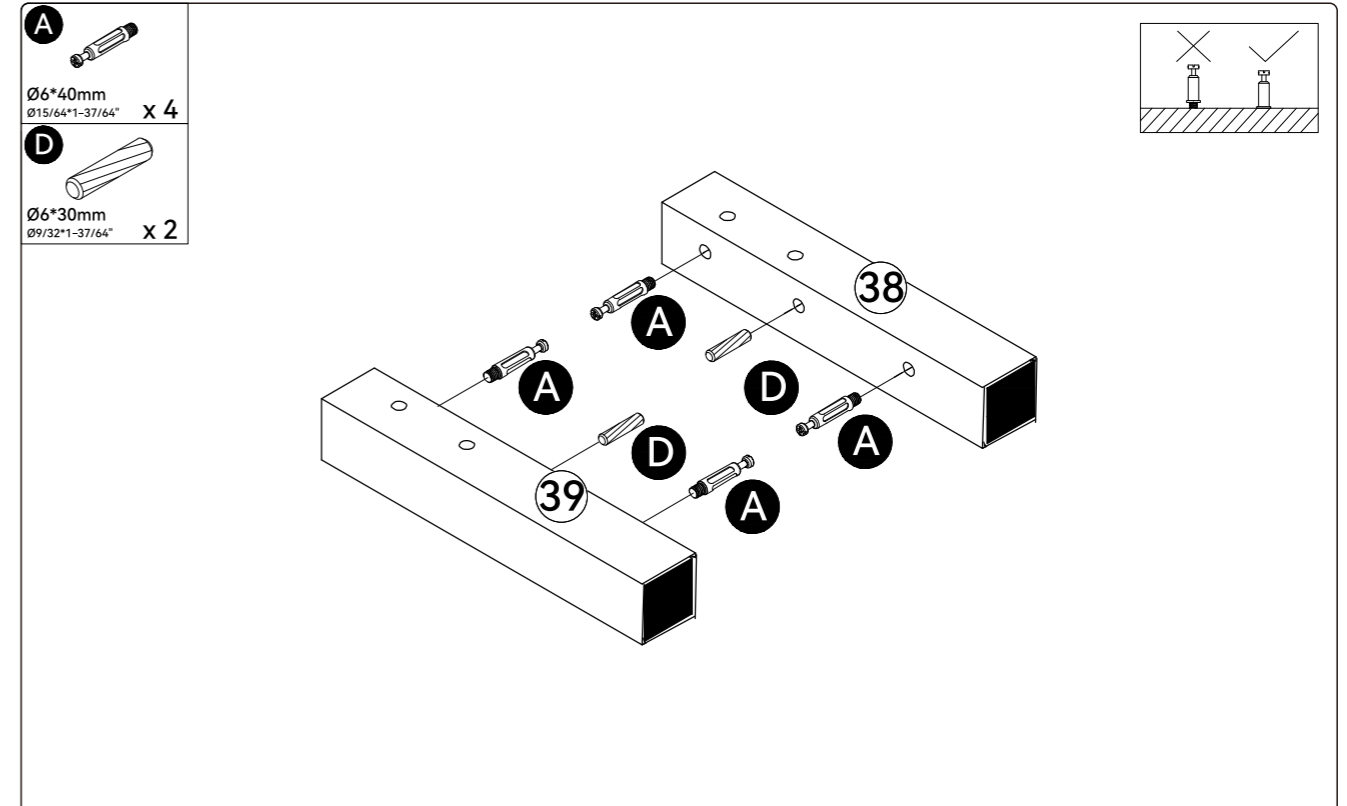
Frame Parts Section



1. Install Side Rail (42) onto Panel (22) as shown, and tighten it using Part (L).
2. Install Side Rail (43) onto Panel (23) as shown, and tighten it using Part (L).

Step 34

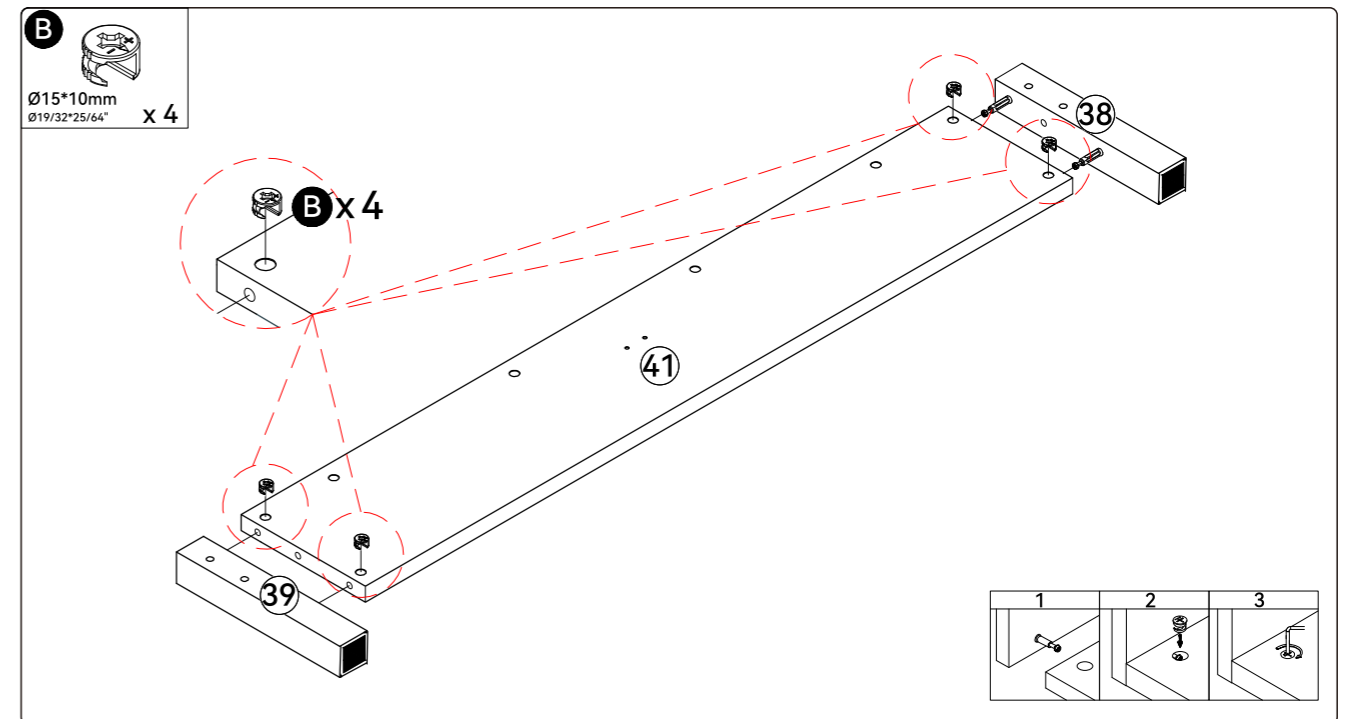
Frame Parts Section



Install Parts (A) and (D) onto Legs (38) and (39) as shown.

Step 35

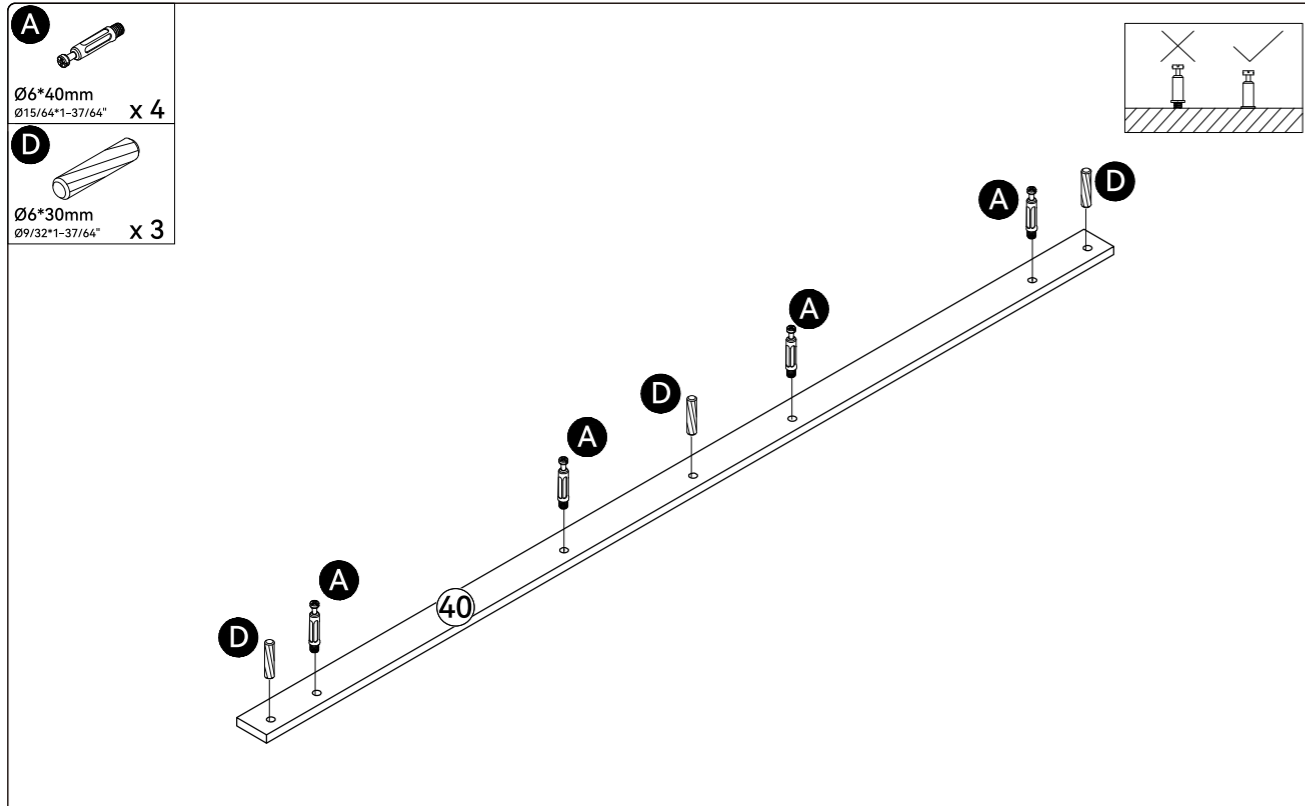
Frame Parts Section



Attach Foot Panels (38) and (39) to Panel (41) as shown, and tighten them using Part (B).

Step 36

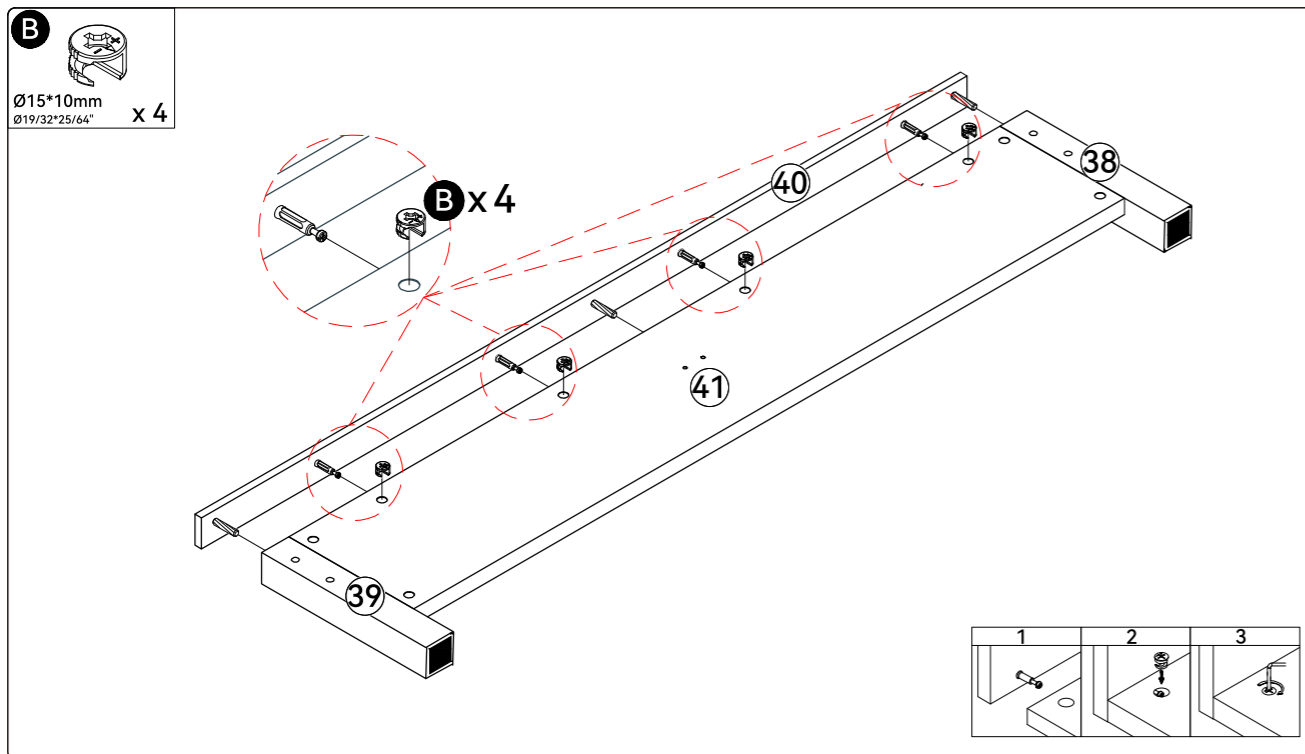
Frame Parts Section



Install Parts (A) and (D) onto Panel (40) as shown.

Step 37

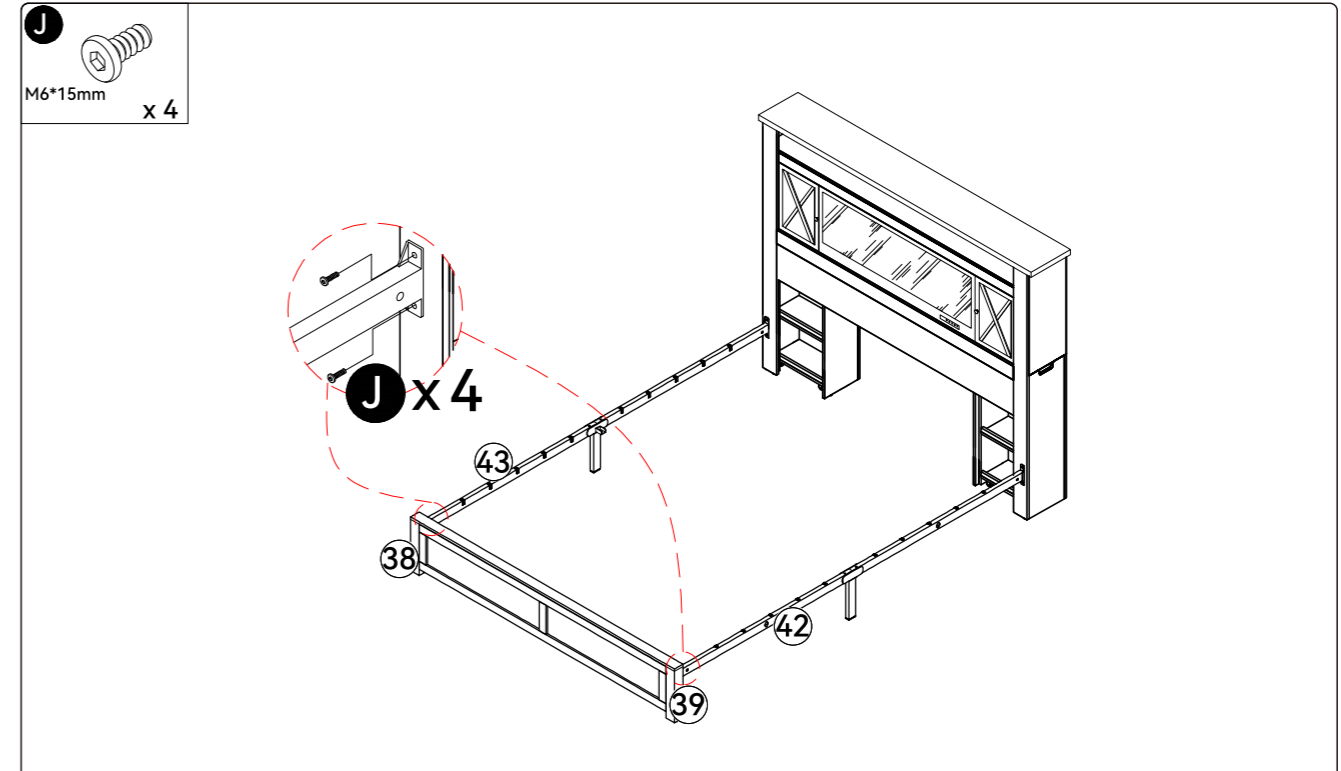
Frame Parts Section



Install Panel (40) onto Panel (41) as shown, and tighten it using Part (B).

Step 38

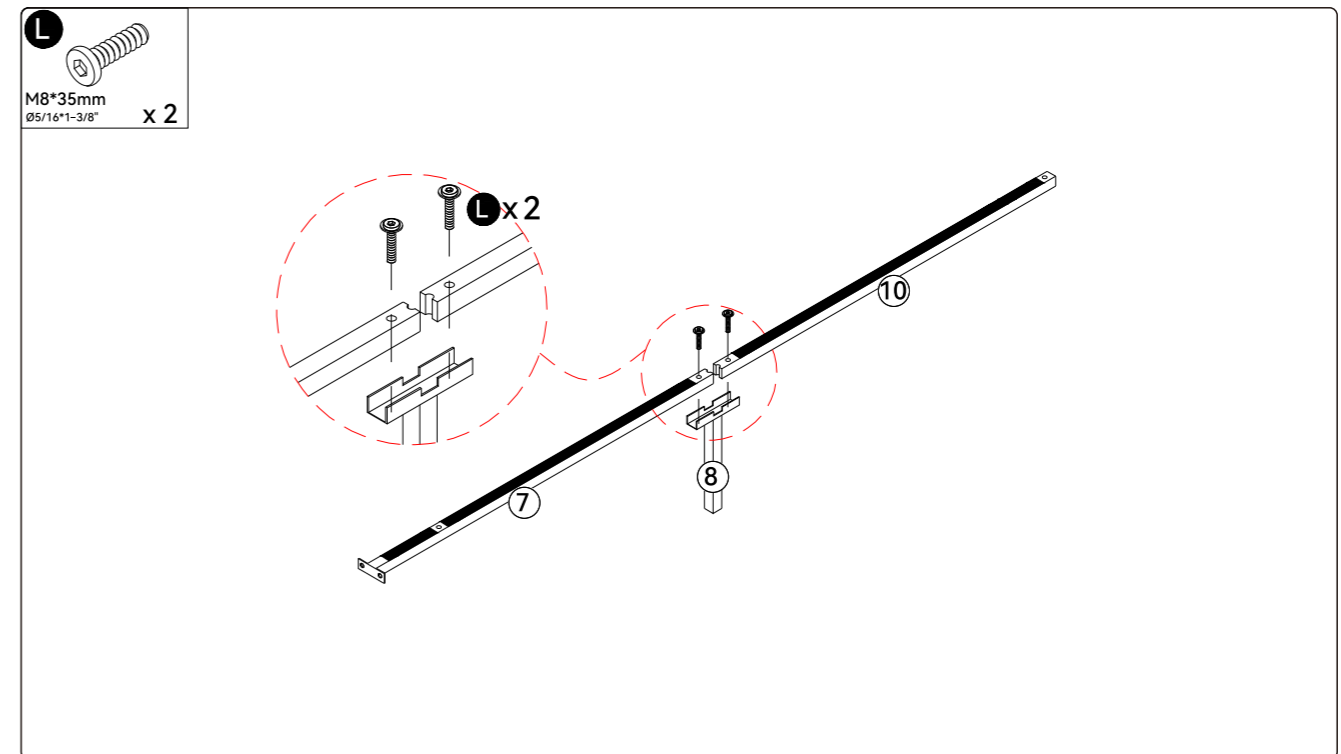
Frame Parts Section



Install Legs (38) and (39) onto Side Rails (43) and (42) as shown, and tighten them using Part (J).

Step 39

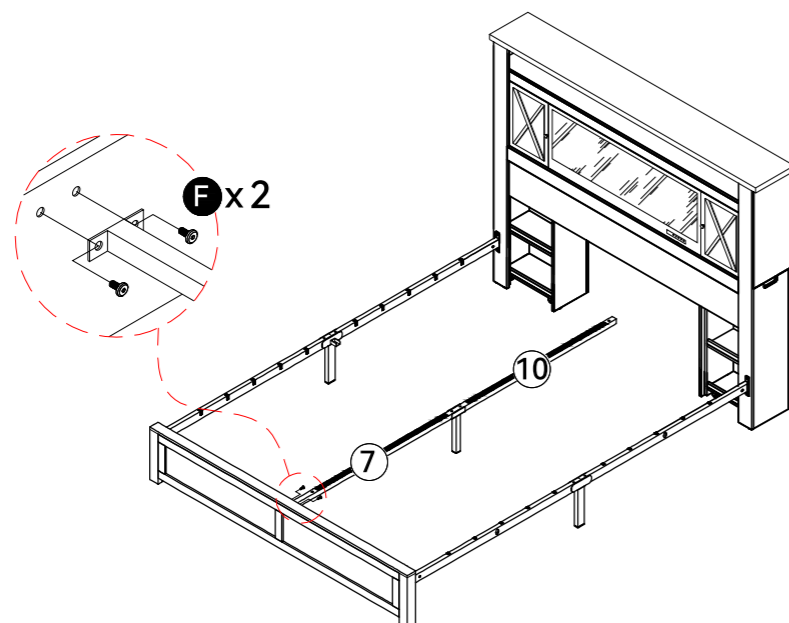
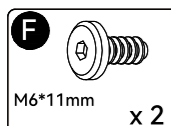
Frame Parts Section



Install Tubes (7) and (10) onto Tube (8) as shown, and tighten them using Part (L).

Step 40

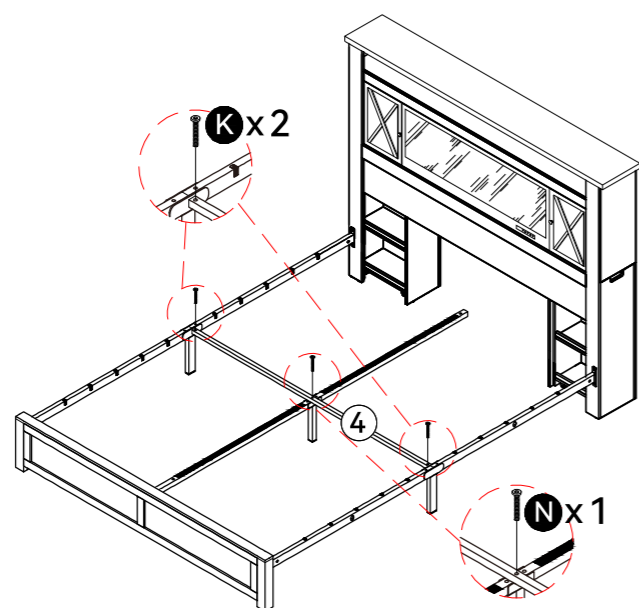
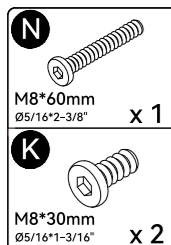
Frame Parts Section



Install the Vertical Rod (7) onto Panel (41) as shown, and tighten it using Part (F).

Step 41

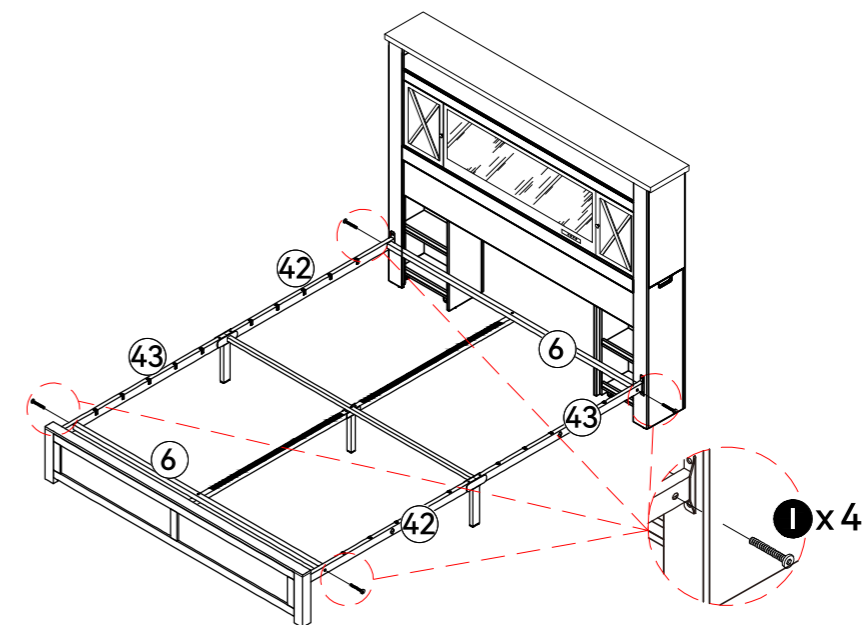
Frame Parts Section



Assemble the Center Beam (4) with Components (1) and (8) as shown. Secure the center section using Part (N), and fasten both sides using Part (K).

Step 42

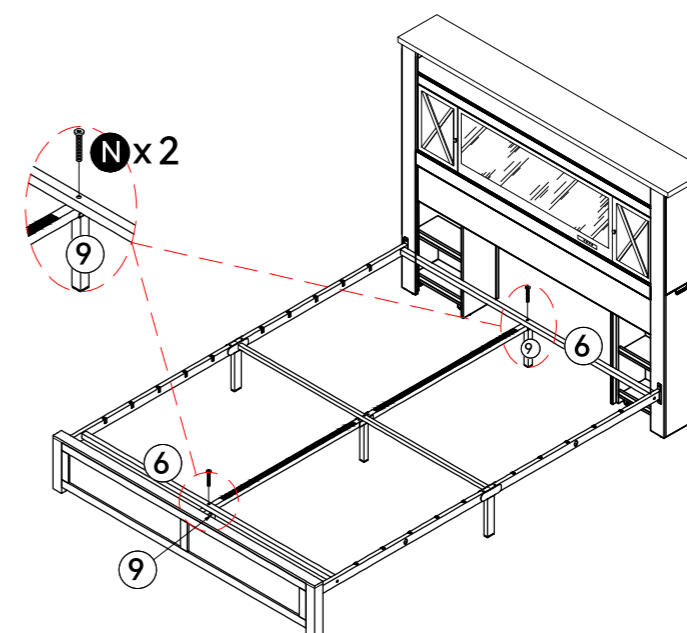
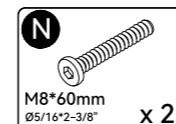
Frame Parts Section



Install Component (6) onto Components (42) and (43) as shown, and tighten it using Part (I).

Step 43

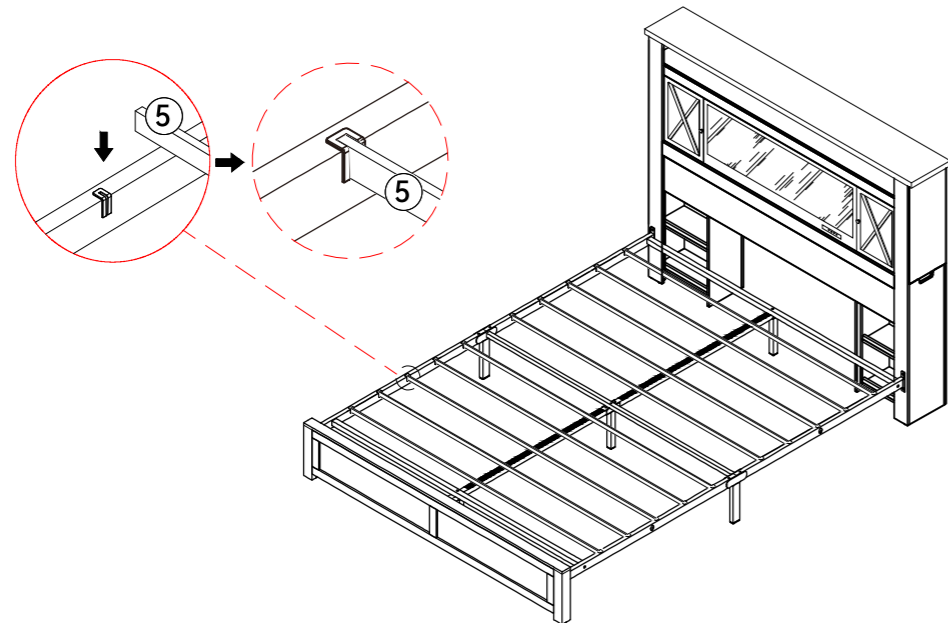
Frame Parts Section



Place Component (9) in the position shown, then assemble it with Component (6) using Part (N) and tighten it.

Step 44

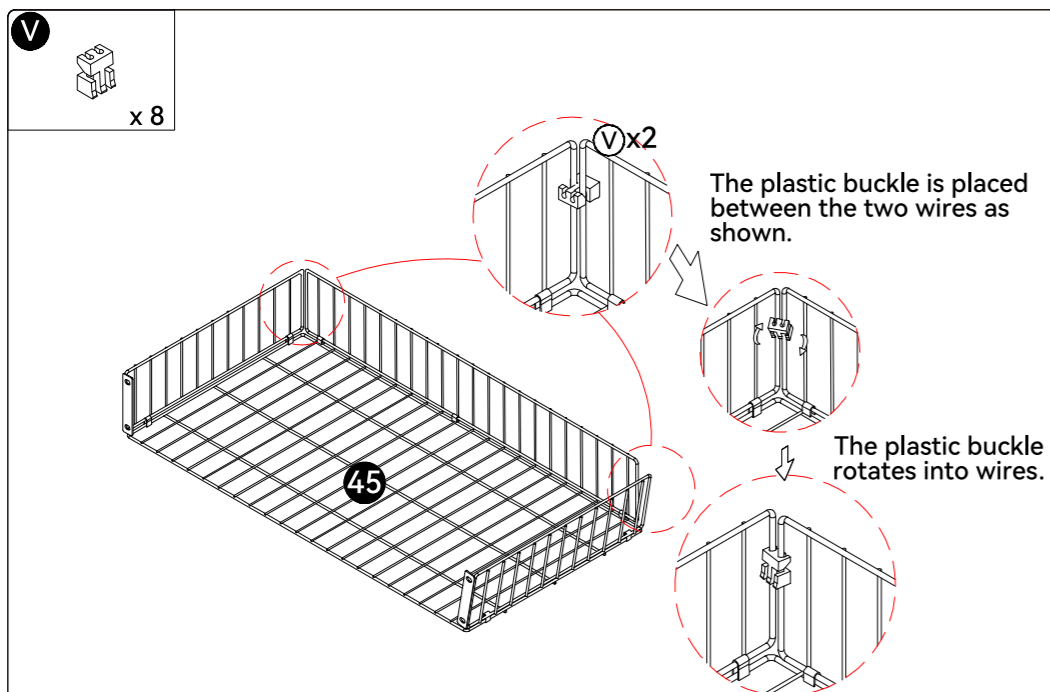
Frame Parts Section



Install Part (5) sequentially into the tube channels of Components (42) and (43) as shown.

Step 45

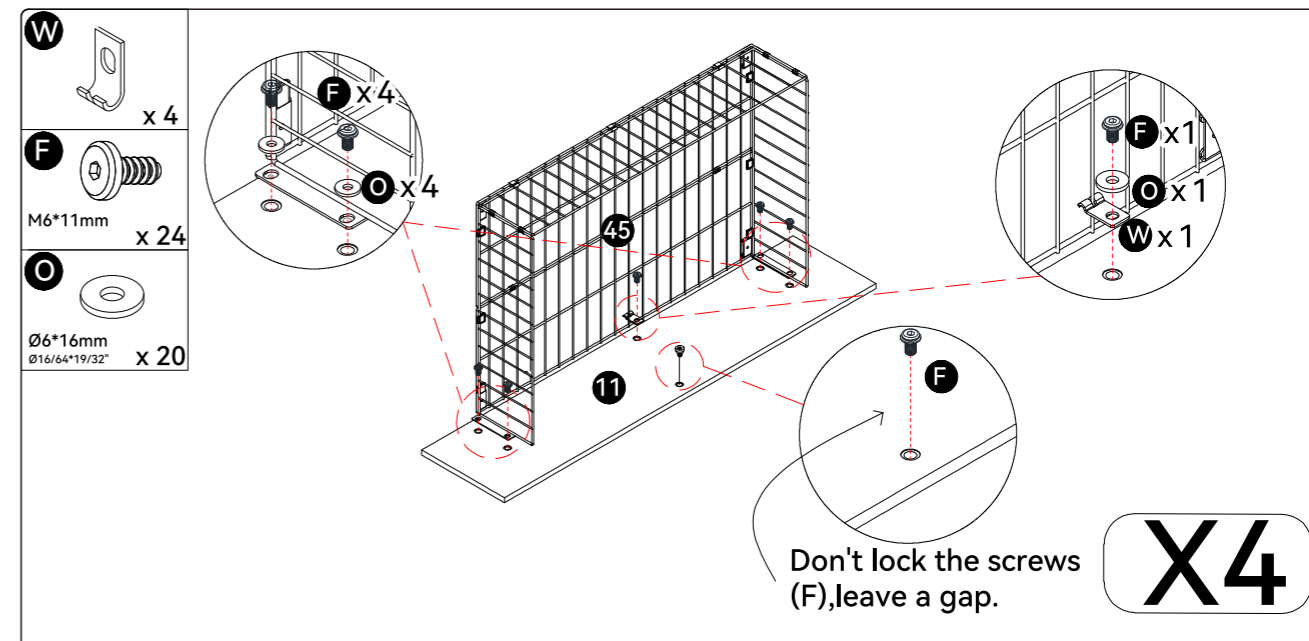
Frame Parts Section



Unfold Component (45) as shown, and secure it in place using Part (V).

Step 46

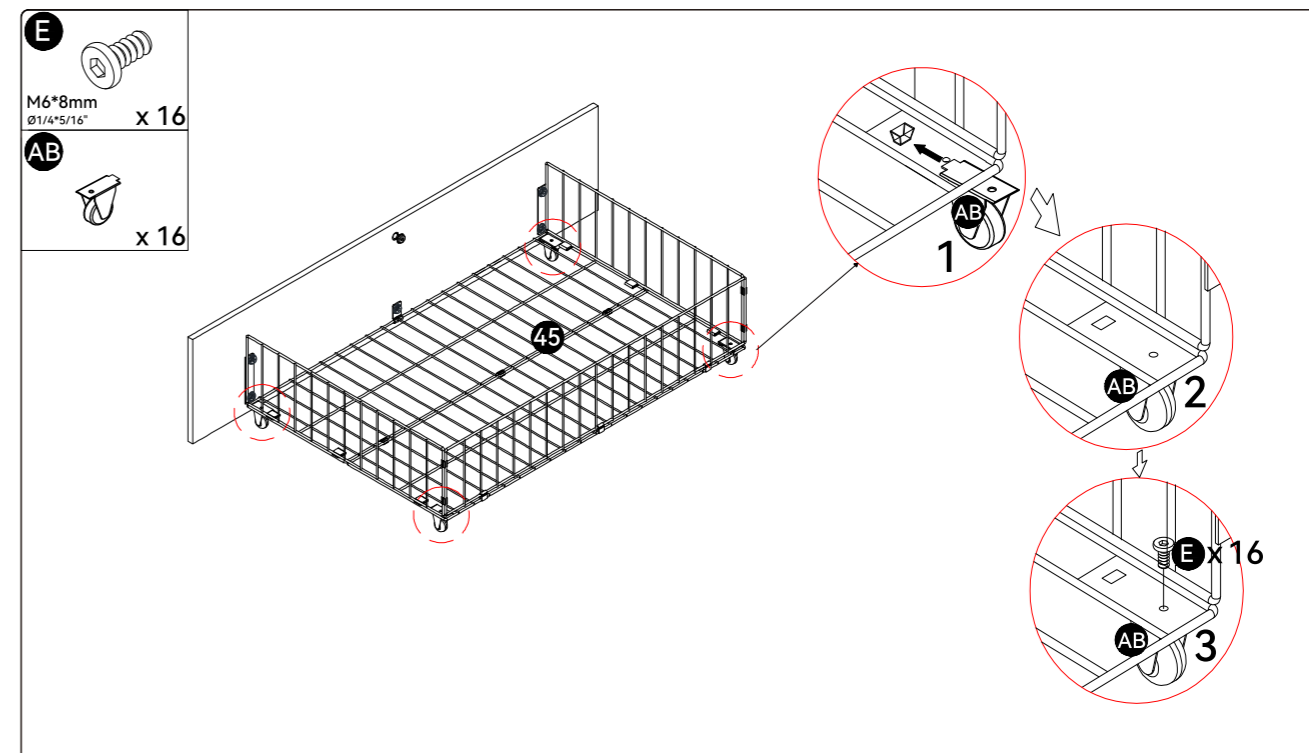
Frame Parts Section



1. Attach both sides of Component (45) to Panel (11) as shown, and tighten them using Parts (F) and (O).
2. Install Part (W) onto Component (45) and Panel (11) as shown, and tighten it using Parts (F) and (O).
3. Install Part (F) onto Panel (11) as shown, and tighten it to 70%.

Step 47

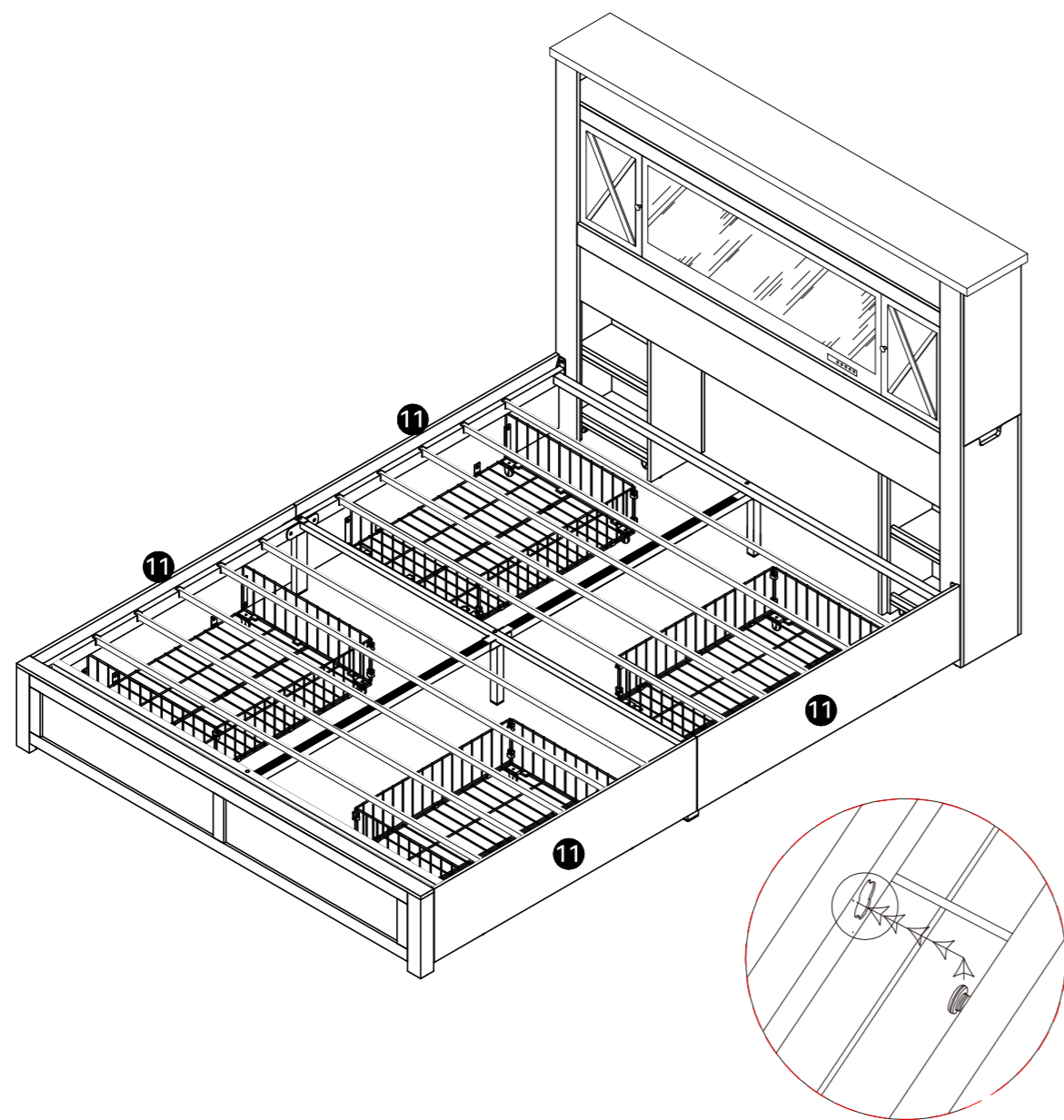
Frame Parts Section



Install Part (AB) onto Panel (45) as shown, and tighten it using Part (E).

Step 48

Frame Parts Section



Slide the drawers under the bed as shown.